

TEMPORARY REVISION NUMBER 2

DATED 22 JANUARY 1995

RECEIVED SEP 15 1997
R 9 7 1 2 5

MANUAL TITLE MODEL 172 & 175 SERIES PARTS CATALOG (1956 THRU 1962)

MANUAL NUMBER - PAPER COPY P257-12 AEROFICHE P257-12AF

TEMPORARY REVISION NUMBER - PAPER COPY P257TR2-12 AEROFICHE NA

MANUAL DATE 15 FEBRUARY 1963 REVISION NUMBER NA DATE NA

This Temporary Revision consists of changes to the subject Parts Catalog and replaces all previously issued Revision Sheets. Pen and ink changes should be made to the paper copy of the manual and supersede the aerofiche information.

NOTE

The "R" located in the first column, of the revision sheet(s), indicates changes that have occurred since the issuance of the previous Revision Sheets and/or Temporary Revision text pages.

PAGE

1
2
3

FICHE/FRAME

None
None
None

REASON FOR TEMPORARY REVISION

To incorporate later parts information changes to the Parts Catalog.

FILING INSTRUCTIONS FOR THIS TEMPORARY REVISION

For paper publications:

After making pen and ink changes to the Parts Catalog Pages as noted on the attached revision sheet(s) and/or Temporary Revision Text pages; file this cover sheet and the revision sheets behind the publications title page to identify the inclusion of the Temporary Revision into the manual.

For aerofiche publications:

Draw a line through any aerofiche frame (page) affected by the Temporary Revision with a permanent red ink marker. This will be a visual identifier that information in the frame (page) is no longer valid and the Temporary Revision should be referenced. Temporary Revisions should be collected and maintained in a notebook near the aerofiche library for quick reference.

THE HISTORY OF THE

REIGN OF

CHARLES THE FIRST

BY

JOHN BURNET

OF

SCOTLAND

AND

OF

THE

REIGN OF

CHARLES THE SECOND

BY

JOHN BURNET

OF

SCOTLAND

AND

OF

THE

REIGN OF

CHARLES THE SECOND

BY

JOHN BURNET

OF

SCOTLAND

AND

OF

THE

REIGN OF

CHARLES THE SECOND

BY

JOHN BURNET

**CESSNA AIRCRAFT COMPANY
MODEL 172 & 175 (1956 - 1962)
PARTS CATALOG REVISION SHEET**

	Page No.	Fig. No.	Index No.	CHANGE		REMARKS
				FROM	TO	
R	19	7	1	0592300-5	0526007-18	
R	19	7	1	0592300-5	0526007-18	
	25	9	14	S-1106-3	S1819-3	
R	28	11	2	AN8-24A	AN8-25A	
R	33	13	48	0520006-1	0532006-1	
R	35	14	37	0534125-2	0533132	
R	49	18	15	0513310-9	0513330-9	
R	51	19	11	-----	0513310-2	Add: (Model 172)
R	51	19	12	0513002-5	No Change	Add: (Model 175)
R	51	19	14	-----	0513310-3	Add: (Model 172)
R	51	19	15	0513002-9	No Change	Add: (Model 175)
R	57	21	10	0513300-1	No Change	Change Code: B to K
R	57	21	10	0513300-2	No Change	Change Code: B to K
R	57	21	-	-----	-----	Refer to Notes, Page 3
R	58	22	3	0510113-12	0510113-20	
R	71	27	34	Code C	Codes B & C	Add: Code B
R	83	32	11	MS20435-4	MS20435M4-14	
R	87	32A	11	MS20435-4	MS20435M4-14	
R	91	33	5	Not Listed	0543007-2	
R	91	33	9	Not Listed	0543006-6	
R	92	33	75	NAS77-6-88	No Change	Bushing, Add: Lower
R	21	33	75	NAS77-3-23	No Change	Bushing, Add: Upper
R	101	34A	55	0741610-19	0741610-13	Delete: Code G
R	117	38	3	AN3-13A	AN3-10A	
R	121	39	13	05111137-12	0511137-12	
R	133	42	36	0413323-4	C253001-0101	
R	136	42A	-	-----	-----	Refer to Notes, Page 3.
R	139	43	14	0711013	S1084-1	Add: 80.00 in Lg BKl
R	140	44	-	0511112-17	0511112-16	
R	140	44	7	AN253-3-100	MS20252-5-100	
R	140	44	10	AN253-2-500	MS20253-2-75	
R	140	44	19	0411575-7	0411575-11	
R	145	46	35	0411225	No Change	Add: Code F
R	145	46	35	Not Listed	0513146-2	Collar: Qty (4); Code: G
R	146	46	-	-----	-----	Refer to Notes, Page 3.
R	159	51	12	0411086-15	-----	Delete line
R	159	51	12	S-1323N1	S1470N7	Delete: Code E
R	159	51	12	0411086-25	-----	Delete line
R	159	51	12	S-1324N1	S1470N1	

Please update your parts catalog as shown above.

**CESSNA AIRCRAFT COMPANY
MODEL 172 & 175 (1956 - 1962)
PARTS CATALOG REVISION SHEET**

Page No.	Fig. No.	Index No.	CHANGE		REMARKS	
			FROM	TO		
R	169	51B	10	0713302-7	S1239-4	
R	169	51B	26	0513056-2	No Change	Grommet-Control, Add: RH
R	169	51B	26	0513056-1	No Change	Grommet-Control, Add: LH
R	177	54	1	-----	-----	Refer to Notes, Page 3
R	190	56A	48	120009	120009A	
R	201	59	25	0450261	0750139	
R	207	60	29	120009	120009A	
R	221	64A	18	0555154-2 RH	0555154-1 RH	
R	221	64A	19	0555154-1 LH	0555154-2 LH	
R	223	64B	7	0555169-6	0555181-6	
R	223	64B	9	0555169-5	0555181-5	
R	277	79	-	H- - -175 Serial . . .	H- - -172 Serial . . .	Change Code H Reference
R	233	67	29	S1053E19T	S1053E16T	
R	237	68A	22	0555188-11	0555188-10	
R	296	82B	27	0750104-2	0750104-4	
R	303	83B	2	0770011-25	No Change	Delete: Code B
R	303	83B	2	0513194-1	-----	Delete line
R	305	83B	-	-----	-----	Refer to Notes, Page 3
R	330	88	16	0413205-12	No Change	Description, Add: 20 amp
R	337	91	7	MS15570-5	MS15570-89	
R	351	99	35	Code C	Codes A & C	Add: Code A
R	352	99	37A	9524463	95-24463	
R	352	99	38	9523482	95-23482	
R	362	103	13	AF934-9	-----	Refer to Notes, Page 3
R	364	-	-	AK 175-49	AK 175-59	Change of AK Number

Please update your parts catalog as shown above.

CESSNA AIRCRAFT COMPANY
MODEL 172 & 175 (1956 - 1962)
PARTS CATALOG REVISION SHEET

NOTES

PG	Figure	Index No.	Change:
57	21		Serialization Code Change Code B: From:175 Serial 55001 thru 17557119 To: 175 Serial 55001 thru 17557002 Add: Code K: 175 Serial 55001 thru 17557119
136	42A		Serialization Code Change Code D: From:175 Serial 17556890 thru 175 Serial 17249544 To: 175 Serial 17556890 thru 175 Serial 17557119 Code E: From:172 Serial 17248135 thru 172 Serial 17557119 To:172 Serial 17248135 thru 172 Serial 17249544
146	46		Serialization Code Change Code F- From Not Listed To: 172 Serial 28000 thru 36215 Code G- From Not Listed To: 172 Serial 36216 thru 36965
177	54	1	Delete: Propeller P/N's: MCL 1A170-DM7651, 1C172-MDM7651
305	83B		Delete Codes B, C references and respective serialization at the end of the Figure 83B parts list.
362	103	13	From: P/N AF934-9 To: NAS1593-012 or MS29513-012

Please update your parts catalog as shown above.



TEMPORARY REVISION NUMBER 1

DATED 5/01/92

R 9 7 1 2 5 3

RECEIVED SEP 15 1007

MANUAL TITLE MODEL 172 & 175 SERIES PARTS CATALOG (1956 THRU 1962)
MANUAL NUMBER - PAPER COPY P257-12 AEROFICHE P257-12AF
TEMPORARY REVISION NUMBER - PAPER COPY P257TR1-12 AEROFICHE N/A
MANUAL DATE 15 FEBRUARY 1963 REVISION NUMBER _____ DATE _____

This Temporary Revision consists of the following pages, which effect and replace existing pages in the paper copy manual and supersede aerofiche information.

PAGE	FICHE/FRAME
25	1 D18

REASON FOR TEMPORARY REVISION

To correct part number of Aileron Push Rod End

FILING INSTRUCTIONS FOR THIS TEMPORARY REVISION

For paper publications:

File this cover sheet behind the publication's title page to identify the inclusion of the Temporary Revision into the manual. Insert the new pages into the publication at the appropriate location(s) and remove and discard the superseded pages.

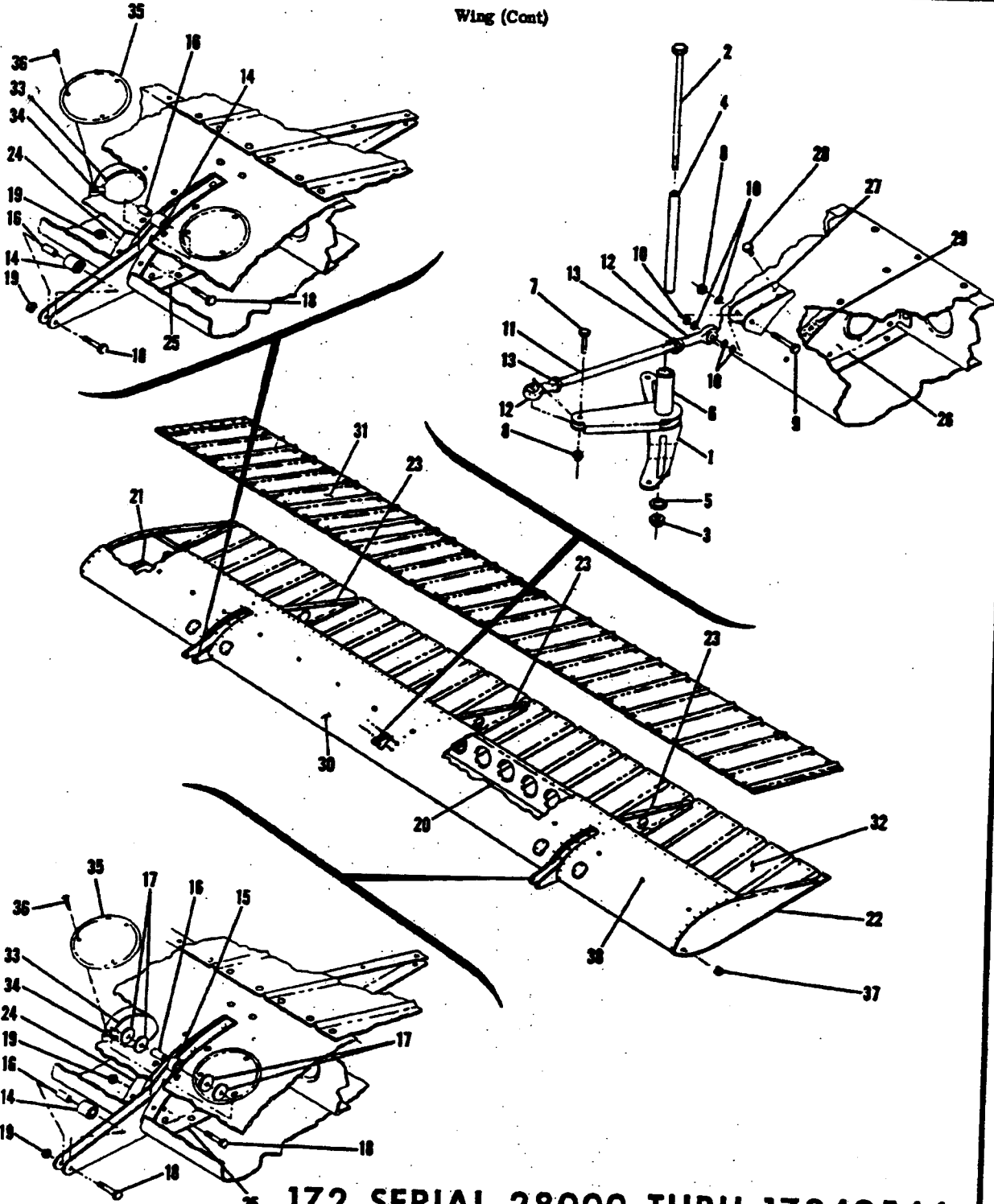
For aerofiche publications:

Draw a line through any aerofiche frame (page) affected by the Temporary Revision with a permanent red ink marker. This will be a visual identifier that the information in the frame (page) is no longer valid and the Temporary Revision should be referenced. Temporary Revisions should be collected and maintained in a notebook near the aerofiche library for quick reference.



FIGURE AND INDEX NO.	PART NUMBER	DESCRIPTION	UNITS PER ASSY	USABLE ON CODE
		1 2 3 4 5 6 7		
9-		AILERON INSTALLATION	NP	
- 1	0523223	BELLCRANK ASSEMBLY-AILERON LH	1	
	0523223-1	BELLCRANK ASSEMBLY-AILERON RH	1	
		ATTACHING PARTS		
- 2	0523221	BUSHING	1	
- 3	AN4-42A	BOLT	1	
- 4	MS20365-428C	NUT	1	
- 5	0522629	WASHER	1	
- 5A	AN960-416	WASHER	2	
		172 SERIAL 28000 THRU 17249544		
- 6	0422280	BUSHING	2	
- 7	B610	BEARING TOR	2	
	B610-P	BEARING TOR ALTERNATE	2	
	B610-OH	BEARING TOR ALTERNATE	2	
- 8	AN4-42A	BOLT-BELLCRANK STOP	1	
- 9	0523222	BUSHING-BELLCRANK STOP	1	
- 9A	AN960-416	WASHER	2	
- 10	MS20365-428C	NUT-BELLCRANK STOP	1	
	0523218	ROD ASSEMBLY-AILERON PUSH-PULL	2	
		ATTACHING PARTS		
- 11	AN3-7A	BOLT	2	
- 12	MS20365-1032C	NUT	2	
-12A	AN960-10	WASHER	1	
		175 SERIAL 55001 THRU 17557119		
- 13	0523218-2	ROD-AILERON PUSH-PULL	1	
- 14	S1819-3	ROD END CESSNA STANDARD	2	
- 15	AN316-4R	NUT-CHECK	2	
- 16	0523800	AILERON ASSEMBLY LEFT WING	1	
	0523800-1	AILERON ASSEMBLY RIGHT WING	1	
		ATTACHING PARTS		
- 17	NAS221-8	SCREW	12	
- 18	MS20365-1032C	NUT	12	
- 19	0523806	SPAR-AILERON LH	1	
	0523806-1	SPAR-AILERON RH	1	
- 20	0523808	RIB NO.1-AILERON LH	2	
	0523808-2	RIB NO.1-AILERON RH	2	
- 21	0523809	RIB NO.2-AILERON LH	1	
	0523809-1	RIB NO.2-AILERON RH	1	
- 22	0523810	RIB NO.3-AILERON	1	
- 23	0523811-1	RIB NO.4-AILERON LH	1	
	0523811	RIB NO.4-AILERON RH	1	
- 24	0523812-2	BRACKET-CONTROL OUTBOARD	1	
	0523812-3	BRACKET-CONTROL INBOARD	1	
		ATTACHING PARTS		
- 25	CR163C-4-8	RIVET CY	1	
- 26	0724115-2	WEIGHT-AILERON BALANCE	3	
		ATTACHING PARTS		
- 27	0523814-6	BRACKET-AILERON WEIGHT	1	
- 28	0523800-6	SKIN-UPPER INBOARD LH	1	
	0523800-7	SKIN-UPPER INBOARD RH	1	
- 29	0523800-8	SKIN-UPPER OUTBOARD LH	1	
	0523800-9	SKIN-UPPER OUTBOARD RH	1	
- 30	0523800-10	SKIN-LOWER INBOARD LH	1	
	0523800-11	SKIN-LOWER INBOARD RH	1	
- 31	0523800-12	SKIN-LOWER OUTBOARD LH	1	
	0523800-13	SKIN-LOWER OUTBOARD RH	1	
- 32	0523813-1	SPACER	1	
- 33	0523813-8	SPACER	1	
- 34	0523813-6	SPACER	1	
- 35	0523813-7	SPACER	1	
- 36	0523807	HINGE ASSEMBLY-AILERON	3	

Wing (Cont)



172 SERIAL 28000 THRU 17249544
175 SERIAL 55001 THRU 17557119

Figure 10. Flap Installation

R 9 7 1 2 5 3

RECEIVED SEP 15 1997



Cessna Aircraft Company
Wichita, Kansas

THIS SUPERSEDES ALL PREVIOUS MODEL 172 & 175 PARTS CATALOGS

15 FEBRUARY 1963

P257-12-RGI-150-9/96

LIST OF REVISED PAGES ISSUED

INSERT LATEST REVISED PAGES. DESTROY SUPERSEDED PAGES.

NOTE: The portion of the text affected by the current revision is indicated by a vertical line in the outer margins of the page.

INTRODUCTION.

This illustrated parts catalog has been prepared to aid you in easily and quickly identifying parts of the Cessna Model 172, 172 Skyhawk, 175 and 175 Skylark.

This catalog features an index system consisting of:

1. An alphabetical index located in the front of the catalog.
2. A numerical index located in the back of the catalog, which lists all parts and figures in which they appear.

STANDARD PARTS.

Many parts having standard usage have been incorporated into the Cessna Standard System. Parts in this group are designated with the part number prefix "S-" and are described with the phrase "Cessna Standard" in the nomenclature.

For standard hardware items such as Tinnerman nuts, clamps, etc., "AN" and "NAS" numbers have been used. The vendors number also appears in the description column to aid in identifying the correct part.

SERIAL LISTINGS.

THE MODEL 172 AND 175 SERIALS ARE AS FOLLOWS:

MODEL 172

1956 - 28000 thru 29174
 1957 - 29175 thru 36215
 1958 - 36216 thru 36965
 1959 - 36966 thru 46754
 1960 - 46755 thru 47746

MODEL 172 & SKYHAWK

1961 - 17247747 thru 17248734
 1962 - 17248735 thru 17249544

MODEL 175

1958 - 55001 thru 55703
 1959 - 55704 thru 56238

MODEL 175 & SKYLARK

1960 - 56239 thru 56777
 1961 - 17556778 thru 17557002
 1962 - SKYLARK 17557003 thru 17557119

USABLE ON CODES. . . . Serial listings in this catalog are noted by a letter code located in the usable on code column which is the extreme right hand column of the parts list page. Usable on codes are applicable only to the figure on which they appear. The code letters and the serials to which they apply are listed at the end of the figure.

If no usable on code appears opposite a first column listing of the figure, the usage is applicable to all models and serials covered by this catalog. If no usable on code appears opposite any indented listing, the usage is applicable to all models and serials covered by the figure on which it appears.

175 SKYLARK. . . . The 175 Skylark is essentially a 175. Certain distinguishing parts are applicable to the 175 Skylark only. These specific parts are coded for use on the Skylark and either replace, or are in addition to the 175 configuration, otherwise all applicable 175 parts are used on the Skylark and the 175 usage codes should be interpreted as such.

172 SKYHAWK. . . . The 172 Skyhawk is essentially a 172. Certain distinguishing parts are applicable to the 172 Skyhawk only. These specific parts are coded for use on the Skyhawk and either replace, or are in addition to the 172 configuration, otherwise all applicable 172 parts are used on the Skyhawk and the 172 usage codes should be interpreted as such.

NON-INTERCHANGEABLE PARTS. . . . When parts are not interchangeable with earlier models, all parts applicable to the particular usage are listed. The letter code for the individual part usage is listed in the usable on column opposite each part. Care should be exercised in determining proper serial when ordering to insure receipt of correct part.

INTERCHANGEABLE PARTS. . . . When a later design part is completely interchangeable with the part it replaces, both parts will be serialized and the notation "when exhausted use ___" will be entered following the listing of the earlier design part. This means that the earlier design part should be used on airplanes to which they apply until the supply of these parts is exhausted--- after which time the later design part must be used. This is done to simplify stocking of parts by our distributors and dealers. The earlier part is as good, physically and functionally, as the later design part--- the difference being the later design part can be used on more than one block of airplane serials.

SYMBOLS & PART NUMBER TERMS.

NP - The symbol "NP" appearing in the units per assembly column denotes that the item it appears opposite is not procurable.

AR - The symbol "AR" appearing in the units per assembly column denotes "As Required" and is used to indicate bulk quantity where an indefinite amount is used.

ALT - The symbol "ALT" following the nomenclature of an item is used to denote an alternate part.

LH & RH - The symbols either LH or RH are used following the part nomenclature to denote either left hand or right hand parts.

Other key letter symbols spaced apart from and following the part nomenclature are for cataloging and manufacturing purposes only and are not to be considered by the customer.

A blank entry in the part number column appears before an unprocurable part or installation which is also denoted in the "Units Per Assembly" column by the use of the symbol NP.

GROUP ASSEMBLY PARTS LIST ARRANGEMENT.

This section lists all replaceable items in the airplane and these items are detailed on illustrations throughout the section. The index numbers on the illustration are keyed to each accompanying parts list. The purpose of the index numbers is to provide complete and positive identification of the article, but should not be used for procurement purposes.

- a. The figure and index number column of the parts list shows the figure number once at the beginning of the list. The figure number is followed by a dash and the indexed number. The remaining index numbers are preceded by dash only.
- b. The part number column identifies the item by part number.
- c. In the description column, relationship of items covered is shown by the degree of identity of each item, for example: The wing assembly (Figure 1) is listed in column (1) of the description column. The wing structure, is the next lower assembly and is therefore listed in column (2).
- d. If two or more assemblies contain a majority of identical parts or the assemblies are left or right hand, the assemblies are listed together and the next lower assemblies or detail parts are listed as common for both assemblies, with the differing parts coded for usage on the correct major assembly.
- e. Attaching parts are listed immediately beneath the item to be attached and preceding any detail parts of the item. They are listed in the same column as the item they attach and are preceded by the caption "Attaching Parts." The end of the attaching parts listing is followed by a separating symbol ---*---
- f. The quantity listed in the "Units Per Assembly" column for attaching parts denotes the quantity necessary to attach only one part. Total quantity necessary to attach more than one part is obtained by multiplying the attaching parts quantity by the number of parts attached.
- g. Component parts of the complete airplane which are not included in any assembly, but which are used in conjunction with, or attach to certain assemblies, are listed either preceding the first detail or following the last detail of the assembly or installation, and in the same column as the major assembly or installation.
- h. The quantities listed in the "Units Per Assembly" column are the quantity used per figure.

ACCESSORY KITS.

A list of accessory kits (AK Kits) available for field installation appears on pages 364 and 365 of this catalog.

This catalog describes the factory installation of the equivalent field installation AK Kit and the factory installation is considered standard and illustrated as such.

For information regarding peculiarities of field installation kits consult the applicable AK Kit installation instructions.

BULK ITEMS.

Certain items such as flexible air hose, rubber mouldings and channels, windshield sealing strips etc., are noted in the catalog listings as bulk items. These listings also note the cut length of these materials for one installation. When an item is listed as a bulk item, it will be supplied to the dealer in the most convenient bulk length or quantity. Reference to the cut length or quantity per installation provides for the most satisfactory disbursement to the customer.

HOW TO ORDER.

USE YOUR CATALOG TO ORDER PARTS. Use parts and Accessories Order Form Number P-101A, P-102, or P-103, whichever applies and which will be supplied by Cessna on request. Give complete information on addresses and make sure the part number and part name are as shown in the catalog. Be sure to specify quantities. Specify how the order is to be shipped, otherwise it will be sent out in the manner that seems best to the shipper.

SERIAL, COLOR, & CORROSION PROOFING.

Be sure to indicate model and serial number of the airplane. Serial number is very important to properly identify parts used on each airplane, when color is involved. Be sure to specify what color. If corrosion proofing is desired add the letters "CP" following the part number.

DISTRIBUTOR ORDERS.

Distributors will send all orders to the factory with instructions as to the shipping destination. The factory prefers not to make C.O.D. shipments for the distributor and all billing will be made to the distributor in the case of direct shipments.

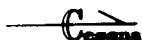
DEALER ORDERS.

Dealers will place all of their parts order requirements with their distributor. The factory will not honor orders received directly from a dealer. It will be necessary for us to forward it to the distributor for his action. Therefore, dealer orders sent direct to the distributor will result in much faster delivery on any parts that are required.

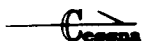
RETAIL ORDERS.

Retail orders will not be honored by the factory. They are to be placed with the dealer or distributor in the owner's territory and when received directly by the

factory will be forwarded to the distributor from whose territory it was received. Considerable saving in time will result to the owner if his orders are placed with his dealer or distributor.



Cessna Aircraft Company reserves the right to cancel, add or change the parts and assemblies described in this catalog without notice.



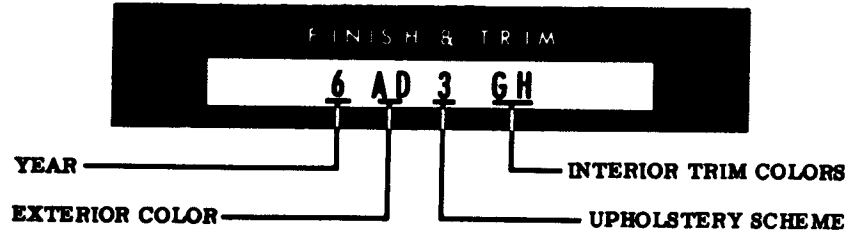
This page intentionally left blank.

FINISH & TRIM PLATE

A "FINISH AND TRIM" plate is located on the left rear door post directly below the M.A.A. name plate.

This plate indicates the model year, exterior paint color, upholstery scheme and interior trim colors

The following diagram is an example showing the sequence and definition of each code symbol on the "FINISH AND TRIM" plate.



FINISH & TRIM NUMBER (6-AD-3-GH)

"6" = 1956 Model

"AD" = Parchment White & Cardinal Red

"3" = Red & Ivory

"GH" = Black (Gloss) & White

CODE CHART							
PAINT & UPHOLSTERY COMBINATIONS							
Model 175							
YEAR	EXTERIOR PAINT		UPHOLSTERY		INTERIOR TRIM		
CODE	CODE	COLOR	CODE	COLOR	CODE	COLOR	
1958	8	A RIO ORANGE CES-1054-203 27H-14594	2	GREEN IVORY BLACK	6	BLACK (HI-GLOSS) CES-1054-151 27-515	
		B RANGER RED CES-1054-210 27H-15779				IVORY CES-1054-200 27-14208	
		C HIGHLAND GREEN CES-1054-196 27H-15012				3	GRAY BLACK RED
		E ALPINE WHITE CES-1054-195 27H-14591					
		F BLACK (HI-GLOSS) CES-1054-151 27-515					
		1959	9	A PARIS BLACK CES-1054-151 27-515		2	ASPEN GOLD
D MAHOGANY BROWN CES-1054-226 27H-16387							
E FOREST GREEN CES-1054-227 27H-16388							
F TERRA COTTA BROWN CES-1054-228 27H-16395							
G DAMASK RED CES-1054-229 27H-12450	3			FAWN TAN	Q	IVORY CES-1054-200 27-14208	
H COLONIAL BLUE CES-1054-230 27H-16390							
J CRIMSON RED CES-1054-231 27H-16392							
K SNOWCREST WHITE CES-1054-235 27H-16385							
SP SPECIAL COLORS							1

CODE CHART PAINT & UPHOLSTERY COMBINATIONS Model 175							
YEAR	EXTERIOR PAINT		UPHOLSTERY		INTERIOR TRIM		
CODE	CODE	COLOR	CODE	COLOR	CODE	COLOR	
1960	0	A	3	SANDALWOOD	P	BLACK CES-1054-156	
		B					EMERALD GREEN CES-1054-264
		C					MIST GREEN CES-1054-267
		D					INDIAN BROWN CES-1054-198
		E					APRICOT CES-1054-269
		F	2	CYPRESS GREEN	Q	NATURAL CES-1054-259	
		G					BUCKSKIN TAN CES-1054-266
		H					ONYX BLACK CES-1054-151
		J					DAWN GREY CES-1054-263
		K					VERMILION CES-1054-166
		L	ITALIAN GOLD CES-1054-265	1	SPECIAL UPHOLSTERY	SP	SPECIAL COLORS
		V	SUNLIGHT CES-1054-268				
		SP	PEARL WHITE CES-1054-261				

CODE CHART PAINT & UPHOLSTERY COMBINATIONS Model 175 SKYLARK							
YEAR	EXTERIOR PAINT		UPHOLSTERY		INTERIOR TRIM		
CODE	CODE	COLOR	CODE	COLOR	CODE	COLOR	
1960	0	A	3	SANDALWOOD	P	BLACK CES-1054-156	
		B					ONYX BLACK CES-1054-151
		C					COLONIAL BLUE CES-1054-230
		D					PEARL WHITE CES-1054-262
		E					EMERALD GREEN CES-1054-264
		F	2	CYPRESS GREEN	Q	NATURAL CES-1054-259	
		G					ITALIAN GOLD CES-1054-265
		H					CHERRY RED CES-1054-229
		J					SUNLIGHT CES-1054-268
		K					VERMILION CES-1054-166
		L	INDIAN BROWN CES-1054-198	1	SPECIAL UPHOLSTERY	SP	SPECIAL COLORS
		V	BUCKSKIN TAN CES-1054-266				
		SP	APRICOT CES-1054-269				

CODE CHART PAINT & UPHOLSTERY COMBINATIONS Model 175							
YEAR	EXTERIOR PAINT		UPHOLSTERY		INTERIOR TRIM		
	CODE	COLOR	CODE	COLOR	CODE	COLOR	
1961	1	O	CLASSIC IVORY CES-1064-325	2	HIGHLAND GREEN	Z	BLACK (SEMI-GLOSS) CES-1096-156
		P	STARGLO YELLOW CES-1064-326				
		Q	RANGOON RED CES-1064-327				
		R	NOCTURNAL GREEN CES-1064-328				
		S	SPRING GREEN CES-1064-329				
		T	ORCHID CES-1064-330	3	FRONTIER TAN		NATURAL CES-1096-259
		V	DUSK BLUE CES-1064-333				
		W	CELESTIAL BLUE CES-1064-334				
		X	WINCHESTER GRAY CES-1064-335				
		Y	COPPERTONE BROWN CES-1064-336				
		SP	SPECIAL COLORS	1	SPECIAL UPHOLSTERY	SP	SPECIAL COLORS

CODE CHART PAINT & UPHOLSTERY COMBINATIONS Model 175 SKYLARK							
YEAR	EXTERIOR PAINT		UPHOLSTERY		INTERIOR TRIM		
	CODE	COLOR	CODE	COLOR	CODE	COLOR	
1961	1	O	CLASSIC IVORY CES-1064-325	2	HIGHLAND GREEN	Z	BLACK (SEMI-GLOSS) CES-1096-156
		Q	RANGOON RED CES-1064-327				
		R	NOCTURNAL GREEN CES-1064-328				
		S	SPRING GREEN CES-1064-329				
		T	ORCHID CES-1064-330				
		V	DUSK BLUE CES-1064-333	3	FRONTIER TAN		NATURAL CES-1096-259
		W	CELESTIAL BLUE CES-1064-334				
		X	WINCHESTER GRAY CES-1064-335				
		Y	COPPERTONE BROWN CES-1064-336				
		A	PATINA IVORY CES-1064-337				
		G	SUNBEAM YELLOW CES-1064-344				
		N	SANDSTONE BEIGE CES-1064-345				
		J	HARVEST TAN CES-1064-346				
		M	FROST BLUE CES-1064-351				
		SP	SPECIAL COLORS	1	SPECIAL UPHOLSTERY	SP	SPECIAL COLORS

CODE CHART PAINT & UPHOLSTERY COMBINATIONS Model 172							
YEAR	EXTERIOR PAINT			UPHOLSTERY		INTERIOR TRIM	
	CODE	CODE	COLOR	CODE	COLOR	CODE	COLOR
1956	6	A	PARCHMENT WHITE CES-1054-146 27-12098	2	BLUE & IVORY	F	SHADOW BLUE CES-1054-158 27-12319
		B	SCANDIA BLUE CES-1054-147 27-12551			G	BLACK (HI-GLOSS) CES-1054-157 27-515
		C	STRATO BLUE CES-1054-148 12-12552	3	RED & IVORY		
		D	CARDINAL RED CES-1054-149 27-13601				
		E	BURMA GOLD CES-1054-150 27-12555				
1957	7	A	PALOMINO CREAM CES-1054-164 27-13546	2	BUCKSKIN TAN	F	BLACK (HI-GLOSS) CES-1054-151 27-515
		B	STRATO BLUE CES-1054-148 27-12552				
		C	MANDARIN ORANGE CES-1054-166 27-13549	WHITE CES-1054-146 27-12098			
		D	PERSIAN MAROON CES-1054-167 27-13559				
		E	CARDINAL RED CES-1054-149 27-13601				
1958	8	A	HIGHLAND GREEN CES-1054-196 27H-15012	2	TAHITI TANGERINE	F	BLACK (HI-GLOSS) CES-1054-151 27-515
		B	SAFFRON ORANGE CES-1054-197 27H-14593				
		C	CHESTNUT BROWN CES-1054-198 27H-14595	IVORY CES-1054-200 27-14208			
		D	GIBRALTER RED CES-1054-199 27H-13600		BLACK (SEMI-GLOSS) CES-1054-156 5546		
		E	ALPINE WHITE CES-1054-195 27H-14591				
1959	9	A	PARIS BLACK CES-1054-151 27-515	2	SAGE GREEN	P	BLACK (SEMI-GLOSS) CES-1054-156 5546
		D	MAHOGANY BROWN CES-1054-226 27H-16387				
		E	FOREST GREEN CES-1054-227 27H-16388				
		F	TERRA COTTA BROWN CES-1054-228 27H-16395				
		G	DAMASK RED CES-1054-229 27H-12450	3	AUTUMN BROWN	Q	IVORY CES-1054-200 27-14208
		H	COLONIAL BLUE CES-1054-230 27H-16390				
		J	CRIMSON RED CES-1054-231 27H-16392				
		K	SNOWCREST WHITE CES-1054-235 27H-16385				
		SP	SPECIAL COLORS	1	SPECIAL UPHOLSTERY	SP	SPECIAL COLORS

CODE CHART PAINT & UPHOLSTERY COMBINATIONS Model 172							
YEAR	EXTERIOR PAINT		UPHOLSTERY		INTERIOR TRIM		
	CODE	CODE	CODE	COLOR	CODE	COLOR	
1960	0	A	CHERRY RED CES-1054-329	3	SCARLET TANAGER	P	BLACK CES-1054-156
		B	PEARL WHITE CES-1054-261				
		C	EMERALD GREEN CES-1054-264				
		D	ONYX BLACK CES-1054-151	2	FAWN GRAY	Q	NATURAL CES-1054-259
		E	VERMILION CES-1054-166				
		F	ITALIAN GOLD CES-1054-265				
		G	INDIAN BROWN CES-1054-198				
		V	HIGH VISIBILITY CES-1054-290	1	SPECIAL UPHOLSTERY	SP	SPECIAL COLORS
		SP	SPECIAL COLORS				
1961	1	O	CLASSIC IVORY CES-1054-325	2	NOCTURNE (BLUE)	Z	BLACK - (SEMI-GLOSS) CES-1096-156
		P	STARGLO YELLOW CES-1054-326				
		Q	RANGOON RED CES-1054-327				
		R	NOCTURNAL GREEN CES-1054-328				
		S	SPRING GREEN CES-1054-329	3	CEDAR FROST (CHOCOLATE CREAM)	Z	NATURAL CES-1096-259
		U	PEBBLESTONE BEIGE CES-1054-331				
		X	WINCHESTER GRAY CES-1054-335				
		Y	COPPERTONE BROWN CES-1054-336				
		SP	SPECIAL COLORS	1	SPECIAL UPHOLSTERY	SP	SPECIAL COLORS

CODE CHART PAINT & UPHOLSTERY COMBINATIONS Model 172 SKYHAWK							
YEAR	EXTERIOR PAINT		UPHOLSTERY		INTERIOR TRIM		
	CODE	CODE	CODE	COLOR	CODE	COLOR	
1961	1	O	CLASSIC IVORY CES-1054-325	2	NOCTURNE (BLUE)	Z	BLACK (SEMI-GLOSS) CES-1096-156
		P	STARGLO YELLOW CES-1054-326				
		Q	RANGOON RED CES-1054-327				
		S	SPRING GREEN CES-1054-329				
		U	PEBBLESTONE BEIGE CES-1054-331	3	CEDAR FROST (CHOCOLATE CREAM)	Z	NATURAL CES-1096-259
		W	CELESTIAL BLUE CES-1054-334				
		X	WINCHESTER GRAY CES-1054-335				
		Y	COPPERTONE BROWN CES-1054-336				
		SP	SPECIAL COLORS	SP	SPECIAL UPHOLSTERY	SP	SPECIAL COLORS

<p align="center">CODE CHART PAINT & UPHOLSTERY COMBINATIONS Model 172 & 172 SKYHAWK</p>							
YEAR	EXTERIOR PAINT		UPHOLSTERY		INTERIOR TRIM		
	CODE	COLOR	CODE	COLOR	CODE	COLOR	
1 9 6 2	2	A MUTED BEIGE CES 1054-439 or -399 *	2	BALTIC BLUE	Q	BLACK (SEMI-GLOSS) CES 1054-156	
		B VESTAL WHITE CES 1054-398 or -170 *					
		C JONQUIL YELLOW CES 1054-402 or -416 *					
		D MINT GREEN CES 1054-238 or -412 *					
		E TURQUOISE TINGE CES 1054-406 or -393 *	3	OAK LEAF BROWN			
		F VALOR RED CES 1054-409 or -417 *					
		G CHEVRON RED CES 1054-401					
		H GINGER CES 1054-403	4	SHASTA GREEN			NATURAL CES 1054-250
		J REGAL GREEN MET. CES 1054-404					
		K TAHOE BLUE MET. CES 1054-407					
		L HERMOSA TURQUOISE CES 1054-408					
		M DEEP MAHOGANY CES 1054-413					
		N EXECUTIVE GRAY MET. CES 1054-411	1	SPECIAL UPHOLSTERY			SPECIAL COLORS
		SP SPECIAL COLORS					

NOTE: WHEN ORDERING PAINT SPECIFY CES 1054 DASH NUMBER. EXAMPLE: CES 1054-439

*On all over painted airplanes, base color will be vinyl. All other colors will be lacquer.

CODE CHART PAINT & UPHOLSTERY COMBINATIONS Model 175 SKYLARK							
YEAR	EXTERIOR PAINT		UPHOLSTERY		INTERIOR TRIM		
	CODE	COLOR	CODE	COLOR	CODE	COLOR	
1962	2	A MUTED BEIGE CES 1054-439 or -399 *	2	VISTA GREEN	Q	BLACK (SEMI-GLOSS) CES 1054-156	
		B VESTAL WHITE CES 1054-398 or -170 *					
		C JONQUIL YELLOW CES 1054-402 or -416 *					
		D MINT GREEN CES 1054-238 or -412 *					
		E TURQUOISE TINGE CES 1054-406 or -393 *	3	PAGEANT RED			
		F VALOR RED CES 1054-409 or -417 *					
		G CHEVRON RED CES 1054-401					
		H GINGER CES 1054-403	4	SPICE BROWN			NATURAL CES 1054-259
		J REGAL GREEN MET. CES 1054-404					
		K TAHOE BLUE MET. CES 1054-407					
		L HERMOSA TURQUOISE CES 1054-408					
		M DEEP MAHOGANY CES 1054-413	1	SPECIAL UPHOLSTERY		SPECIAL COLORS	
		N EXECUTIVE GRAY MET. CES 1054-411					
		SP SPECIAL COLORS					

NOTE: WHEN ORDERING PAINT SPECIFY CES 1054 DASH NUMBER. EXAMPLE: CES 1054-439

*On all over painted airplanes, base color will be vinyl. All other colors will be lacquer.

This page intentionally left blank.

 **ALPHABETICAL INDEX**

ALPHABETICAL INDEX

A

A(Cont)

ABRASION BOOT KIT-STABILIZER, 365
 ACCESSORY KITS-LIST OF, 364,365
 ACTUATOR ASSEMBLY-ELEVATOR TAB, 33
 ACTUATOR-ELEVATOR, 261
 ADAPTER ASSEMBLY-EXHAUST HEATER RH, 213
 ADAPTER ASSEMBLY-FUEL TANK, 19,23
 ADAPTER-AIR VENT, 231
 ADAPTER-AMMETER, 150,169
 ADAPTER-OIL PRESSURE LINE, 201
 ADAPTER-OIL TEMPERATURE GAGE, 201,203
 ADAPTER-OIL TEMPERATURE, 207,209
 ADJUSTABLE SEAT BACK, 111
 ADJUSTABLE SEAT-BACK COVER, 111
 ADJUSTER ASSEMBLY-SENSITIVITY, 307
 AFT SECTION ASSEMBLY-FUSELAGE, 41,43,71,75
 AILERON ASSEMBLY LEFT WING, 25
 AILERON ASSEMBLY RIGHT WING, 25
 AILERON BALANCE WEIGHT, 25
 AILERON BELLCRANK, 25,254
 AILERON CARRY THRU BAR, 253
 AILERON CONTROL CABLE, SEE CABLE
 AILERON CONTROL CHAIN, 253
 AILERON CONTROL SYSTEM INSTALLATION, 253
 AILERON INSTALLATION, 3,25
 AILERON PULLEY BRACKET, 7,9,77,79
 AILERON SERVO, 301,302,305,308,312
 AILERON SPAR, 25
 AIR BOX ASSEMBLY-CARBURETOR, 207,210
 AIR BOX ASSEMBLY, 204
 AIR BOX FILTER, 185,204
 AIR FILTER, 190,207,210
 AIR FILTER GASKET, 185,190,204,207,210
 AIR OUTLET ASSEMBLY, 228
 AIR OUTLET CAP, 228
 AIR SCOOP, 183,187,189
 AIR VALVE ASSEMBLY, 204
 AIR VENT ADAPTER, 231
 AIR VENT DOOR, 52,228
 AIR VENTS-REAR SEAT-KIT, 364
 AIRSPEED INDICATOR, 157,159,166,263,265
 ALTIMETER-SENSITIVE, 157,166,263,265
 ALTIMETER, 157,161,166
 ALTITUDE HOLD INSTALLATION, 311
 AMMETER, 145,150,162,167,169
 AMPLIFIER-AILERON, 302,308,312
 AMPLIFIER-ELEVATOR, 313
 ANGLE-BAGGAGE SHELF, 71,75
 ANGLE-CABIN HEAT VALVE SUPPORT, 219,223
 ANGLE-TAILCONE REINFORCEMENT, 81
 ARM ASSEMBLY-CABIN HEATER VALVE, 233,235
 ARM ASSEMBLY-LH SEAT, 111
 ARM ASSEMBLY-NOSE GEAR STEERING, 91,95
 ARM ASSEMBLY-RH SEAT, 111
 ARM ASSEMBLY-SEAT CATCH PIN, 111
 ARM ASSEMBLY-SEAT, 113
 ARM REST ASSEMBLY, 122,126
 ARM-RUDDER BAR, 241,242
 ARM-SHIMMY DAMPENER, 83
 ASH RECFIVER, 122,126
 ASH TRAY, 121,125
 ASSIST HANDLE, 49
 ASSIST STRAP, 121,126
 ATTACHMENT-SEAT HANDLE, 103
 AUTO PILOT INSTALLATION-TACTAIR T-1, 301
 AUTO PILOT INSTALLATION-TACTAIR T-2, 301,307
 AUTOPILOT INSTALLATION-TACTAIR T-3, 303,311
 AUTO PILOT-NAV-O-MATIC KIT, 364
 AUXILIARY FUEL TANK INSTALLATION KIT, 277
 AUXILIARY SEAT BACKREST, 119
 AUXILIARY SEAT CUSHION, 119

AUXILIARY SEAT INSTALLATION, 119
 AUXILIARY SEAT KIT, 364
 AXLE ASSEMBLY-SKI LANDING GEAR, 98,101
 AXLE-HEAVY DUTY, 98,99
 AXLE-MAIN LANDING GEAR, 97,99
 AXLE-NOSE GEAR, 83,85

B

BACK ASSEMBLY-ADJUSTABLE SEAT, 111
 BACK ASSEMBLY-FRONT SEAT, 103,105
 BACK ASSEMBLY-REAR SEAT, 115,117
 BACK COVER ADJUSTABLE SEAT, 111
 BACKREST ASSEMBLY-AUXILIARY SEAT, 119
 BACKREST-AUXILIARY SEAT, 119
 BAFFLE ASSEMBLY-FORWARD, 217,219,221,224
 BAFFLE ASSEMBLY-HORIZONTAL CYLINDER, 217
 BAFFLE ASSEMBLY-REAR CYLINDERS, 217
 BAFFLE ASSEMBLY-REAR VERTICAL, 219,221,223
 BAFFLE ASSEMBLY-SIDE, 219,221,223
 BAFFLE ASSEMBLY, 321,323
 BAFFLE INSTALLATION-ENGINE, 201,203,
 207,208,217,219,221,223
 BAFFLE-INTER CYLINDER, 217,219,221,223,224
 BAFFLE-OIL SUMP, 217,219
 BAG ASSEMBLY-STRETCHER WALL, 175
 BAGGAGE DOOR INSTALLATION-FUSELAGE, 143
 BAGGAGE DOOR STOP CHAIN, 143
 BAGGAGE DOOR, 143
 BAGGAGE PLACARD, 130,175,279,345,348
 BAGGAGE SHELF ANGLE, 71,75
 BAGGAGE SHELF, 130
 BALANCE WEIGHT-AILERON, 25
 BALANCE WEIGHT-RUDDER, 35,37
 BALL JOINT, 83,193,195,198
 BALL-CONTROL TUBE, 145
 BALL-FUEL VALVE, 362
 BANK & TURN IND, 158,161,167
 BAR ASSEMBLY-AILERON CARRY THRU, 253
 BATTERY ACCESS DOOR, 71
 BATTERY BOX BRACKET, 60
 BATTERY BOX LID, 59,60
 BATTERY BOX, 59,60
 BATTERY CABLE, 329,333
 BATTERY DRAIN, 59
 BATTERY-AIRCRAFT, 329,333
 BEACON-FIN TIP, 341
 BEACON ROTATING, 341
 BEACON ROTATING KIT, 364
 BEARING BLOCK-SCREW, 113
 BEARING CONE, 351,355
 BEARING CUP, 351,355,357
 BEARING-BELLCRANK, 35
 BEARING-HORN ASSEMBLY, 39
 BEARING-ROD END, 83,87
 BEARING-RUDDER PEDAL, 241
 BEARING-STABILIZER, 33
 BEARING, 27,25,58,357,362
 BELLCRANK ASSEMBLY-AILERON LH, 25,254
 BELLCRANK ASSEMBLY-AILERON RH, 25,254
 BELLCRANK ASSEMBLY-ELEVATOR, 39
 BELLCRANK ASSEMBLY-LEFT FLAP, 27
 BELLCRANK ASSEMBLY-LH SEAT SCREW, 113
 BELLCRANK ASSEMBLY-RIGHT FLAP, 27
 BELLCRANK ASSEMBLY-RH SEAT SCREW, 113
 BELLCRANK ASSEMBLY-RUDDER, 35,249
 BELLCRANK-ELEVATOR FORWARD, 259
 BELLCRANK-ELEVATOR REAR, 259
 BELLCRANK-FLAP, 257

ALPHABETICAL INDEX

B (Cont)

BELT ASSEMBLY-SAFETY, 103,106,110,115,117,119
 BELT-EXTENSION-STRETCHER, 176
 BLAST TUBE-GENERATOR, 219,221,223,329
 BLAST TUBE, 201
 BLEEDER SCREW, 351
 BLOCK-FUSELAGE SPAR BEARING, 55,77
 BODY-MASTER BRAKE CYLINDER, 361
 BOLT-DOOR LATCH, 141
 BOLT-ELEVATOR STOP, 33
 BOLT-RUDDER STOP, 249,251
 BONDING STRAP-ENGINE MOUNT, 201,203
 BOOT-STEERING LINK, 49,52
 BOTTOM ASSEMBLY-REAR SEAT, 115,117
 BOX ASSEMBLY-BATTERY, 59,60
 BOX ASSEMBLY-GLOVE, 153,155
 BOX INSTALLATION-BATTERY, 41,43,59,60,71,75
 BOX-CARBURETOR AIR, 207,210
 BRACE ASSEMBLY-COWL FLAP CONTROL LH, 208
 BRACE ASSEMBLY-COWL FLAP CONTROL RH, 208
 BRACE-AIR SCOOP, 187
 BRACE-EXHAUST STACK, 201,203
 BRACE-EXHAUST TAIL PIPE, 198,207
 BRACE-FLOATPLANE, 325,327
 BRACE-STATIONARY INSTRUMENT PANEL, 49,51
 BRACKET ASSEMBLY-BATTERY BOX MOUNTING, 59
 BRACKET ASSEMBLY-DOOR LATCH, 140
 BRACKET ASSEMBLY-DOOR HANDLE INNER, 133,135,139
 BRACKET ASSEMBLY-HEADLINER, 80
 BRACKET ASSEMBLY-INSTRUMENT LIGHT, 46
 BRACKET ASSEMBLY-LANDING LIGHT, 13
 BRACKET ASSEMBLY-REAR SEAT ATTACHMENT, 71,75
 BRACKET ASSEMBLY-REAR AIR VENT, 43
 BRACKET ASSEMBLY-STABILIZER, 33
 BRACKET ASSEMBLY-STARTER, 195
 BRACKET-AILERON PULLEY, 7,9,77,79
 BRACKET-BATTERY BOX, 60
 BRACKET-BRAKE CYLINDER INSIDE, 241
 BRACKET-BRAKE CYLINDER OUTSIDE, 241
 BRACKET-BRAKE LINE RETAINER, 97
 BRACKET-CABIN AIR VALVE, 235
 BRACKET-CIRCUIT BREAKER MOUNTING, 151
 BRACKET-COMPASS, 173
 BRACKET-CONTROL PULLEY, 55
 BRACKET-ELEVATOR BELLCRANK RH, 55
 BRACKET-ELEVATOR BELLCRANK LH, 55
 BRACKET-ELEVATOR PULLEY, 45
 BRACKET ENGINE MOUNT ATTACHMENT, 47,51,325
 BRACKET-FLAP BELLCRANK SUPPORT UPPER, 7,9
 BRACKET-FLAP BELLCRANK SUPPORT LOWER, 7,9
 BRACKET-FLAP CONTROL, 27
 BRACKET-FLAP PULLEY LH, 41,43
 BRACKET-FLAP PULLEY RH, 41,43
 BRACKET-FLAP PULLEY, 7,9,46,79
 BRACKET-FUEL SELECTOR VALVE, 45,275,290
 BRACKET-MICROPHONE, 145,147,166
 BRACKET-MIXTURE CONTROL, 193
 BRACKET-REAR BAFFLE, 221
 BRACKET-REAR VERTICAL BAFFLE, 223
 BRACKET-RUDDER CABLE PULLEY, 71,75
 BRACKET-RUDDER PEDAL SPRING, 58
 BRACKET-SAFETY BELT ATTACHMENT, 103,106,110
 BRACKET-STEP, 97,99
 BRACKET-TAB PULLEY, 46
 BRACKET-THROTTLE CONTROL, 193
 BRACKET-UPHOLSTERY, 46
 BRACKET-WINDOW LATCH, 133
 BRAKE & WHEEL-MAIN GEAR, 98,101,351
 BRAKE ASSEMBLY, 351
 BRAKE CYLINDER BRACKET, 241
 BRAKE CYLINDER HEAD, 351

B (Cont)

BRAKE CYLINDER-MASTER, 361
 BRAKE CYLINDER, 241,269,271,361
 BRAKE DISC COVER, 98
 BRAKE DISC, 351
 BRAKE HOUSING, 351
 BRAKE LINE RETAINER BRACKET, 97
 BRAKE LINE, SEE LINES
 BRAKE PEDAL, 241
 BRAKE SYSTEM INSTALLATION, 269,271
 BREATHER LINE, SEE LINES
 BULB-COMPASS, 173
 BULB-LAMP, 3,35,37,161,173,337,339,341
 BULKHEAD ASSEMBLY-DOORPOST AFT RH, 55
 BULKHEAD ASSEMBLY-DOORPOST AFT LH, 55
 BULKHEAD ASSEMBLY-FRONT DOORPOST, 47,51,55
 BULKHEAD ASSEMBLY-FUSELAGE TUNNEL AFT RH, 45
 BULKHEAD ASSEMBLY-FUSELAGE TUNNEL AFT LH, 45
 BULKHEAD ASSEMBLY-FUSELAGE
 AFT SECTION STA 205,812, 81
 BULKHEAD ASSEMBLY-FUSELAGE AFT SECTION, 71,75
 BULKHEAD ASSEMBLY-LANDING GEAR, 45,79
 BULKHEAD ASSEMBLY-REAR SEAT CATCH, 71,75
 BULKHEAD ASSEMBLY-STA 44,00, 45
 BULKHEAD ASSEMBLY-STA 65,33, 45,77
 BULKHEAD-FUSELAGE AFT SECTION STA 228,687, 81
 BULKHEAD-HORIZONTAL, 81
 BULKHEAD-INSTRUMENT PANEL SUPPORT, 49,51
 BULKHEAD-LANDING GEAR, 79
 BULKHEAD-RUDDER PEDAL OUTBOARD, 47,51
 BULKHEAD-TUNNEL FWD, 58
 BUTTON-FLAP RELEASE, 257

C

CABIN AIR CONTROL, 145,147,165,169,228,233,235
 CABIN AIR VALVE BRACKET, 235
 CABIN AIR VENT ELBOW, 228
 CABIN DOOR ASSEMBLY-RH, 137
 CABIN DOOR ASSEMBLY-LH, 131,135
 CABIN DOOR STRUCTURE, 133,135,139
 CABIN HEAT CONTROL, 233,235
 CABIN HEAT CONTROL, 145,147,165,
 169,195,233,235,238
 CABIN HEAT VALVE PLATE, 233,235
 CABIN HEATER VALVE SHAFT, 233,235,237
 CABIN HEATING AND DEFROSTING
 SYSTEM INSTALLATION, 233,235,237
 CABIN LIGHTS & SPEAKER INSTALLATION, 337
 CABIN TOP, 45
 CABIN VENTILATING SYSTEM INSTALLATION, 228
 CABLE ASSEMBLY-TACTAIR, 302,308,313
 CABLE ELEVATOR FORWARD UPPER, 259
 CABLE FLAP-STAINLESS STEEL DIRECT UPPER, 255
 CABLE-AILERON CARRY THRU STAINLESS STEEL, 253
 CABLE-AILERON CARRY THRU, 253
 CABLE-AILERON CONTROL STAINLESS STEEL, 253
 CABLE-AILERON CONTROL, 253
 CABLE-BATTERY TO RECEPTACLE, 329,333
 CABLE-ELEVATOR ACTUATOR TO TURNBUCKLE, 261
 CABLE-ELEVATOR ACTUATOR STAINLESS STEEL, 261
 CABLE-ELEVATOR ACTUATOR TO DISCONNECT, 261
 CABLE-ELEVATOR ACTUATOR STAINLESS STEEL, 261
 CABLE-ELEVATOR AFT UPPER, 259
 CABLE-ELEVATOR-TAB WHEEL, 261
 CABLE-ELEVATOR-TAB WHEEL STAINLESS STEEL, 261
 CABLE-FLAP DIRECT FORWARD, 255
 CABLE-FLAP DIRECT FORWARD STAINLESS, 255
 CABLE-FLAP DIRECT LOWER, 255
 CABLE-FLAP DIRECT LOWER STAINLESS, 255
 CABLE-FLAP DIRECT UPPER, 255
 CABLE-FLAP RETURN FORWARD, 255

ALPHABETICAL INDEX

C (Cont)

CABLE-FLAP RETURN FORWARD STAINLESS, 255
 CABLE-FLAP RETURN LOWER, 255
 CABLE-FLAP RETURN UPPER STAINLESS STEEL, 255
 CABLE-RUDDER AFT LH, 249
 CABLE-RUDDER AFT RH STAINLESS, 249,251
 CABLE-RUDDER AFT RH, 249,251
 CABLE-RUDDER FORWARD, 249,251
 CABLE-RUDDER FORWARD STAINLESS, 249,251
 CABLE-RUDDER-AFT LH STAINLESS, 249
 CABLE-SERVO, 305
 CABLE-STAINLESS STEEL ELEVATOR AFT UPPER, 259
 CABLE-STAINLESS STEEL ELEVATOR FWD UPPER, 259
 CABLE-TAB WHEEL TO DISCONNECT, 261
 CABLE-TAB WHEEL TO DISCONNECT STAINLESS, 261
 CAP ASSEMBLY-AIR OUTLET, 228
 CAP ASSEMBLY-FUEL TANK, 19,23
 CAP-FUSELAGE FRONT SPAR, 45
 CAPPLUG, 355
 CARBURETOR AIR BOX, 207,210
 CARBURETOR AIR TEMP GAGE, 158,162,167,317
 CARBURETOR AIR TEMP GAGE KIT, 364
 CARBURETOR AIR TEMPERATURE GAGE INSTALLATION, 317
 CARBURETOR HEAT CONTROL, 145,147,169,193,195,197
 CARBURETOR MIXTURE CONTROL, 145,147,165,169,193,197
 CARD-COMPASS, 157,159,166
 CARGO TIE-DOWN LUGS INSTALLATION, 173
 CARGO TIE DOWN KIT, 364
 CARPET ASSEMBLY-TUNNEL, 129
 CARPET-BAGGAGE COMPARTMENT FLOOR, 129
 CARPET-CABIN FLOOR, 129
 CARTRIDGE-FLASHER, 329,333
 CASE-OXYGEN MASK STORAGE, 315
 CATCH ASSEMBLY-REAR SEAT, 119
 CATCH-GLOVE BOX DOOR, 153,165
 CATCH-SPRING, GLOVE BOX, 155
 CHAIN ASSEMBLY-AILERON CONTROL, 253
 CHAIN-BAGGAGE DOOR STOP, 143
 CHAIN-ELEVATOR ACTUATOR, 261
 CHAIN-TAB CONTROL ELEVATOR, 261
 CHANNEL ASSEMBLY-SPAR INBOARD, 15
 CHANNEL ASSEMBLY-SPAR OUTBOARD, 15
 CHANNEL-UPHOLSTERY RETAINER, 121
 CIGAR LIGHTER, 145,147,166,169
 CIRCUIT BREAKER ASSEMBLY-ROTATING BEACON, 165
 CIRCUIT BREAKER MOUNTING BRACKET, 151
 CIRCUIT BREAKER, 145,149,165,166
 CLAMP ASSEMBLY-EXHAUST, 213,215
 CLAMP ASSEMBLY-TAIL PIPE, 213
 CLAMP-PARKING BRAKE, 269,271
 CLEVIS-FRONT SEAT ADJUSTMENT, 103
 CLIP ASSEMBLY-GLOVE BOX, 153
 CLIP-CABIN AIR CONTROL, 238
 CLIP-CABIN HEAT CONTROL, 237
 CLIP-DISC, 352
 CLIP-DOOR HAND RETAINING, 137
 CLIP-FUSE RETAINER, 153
 CLIP-UPHOLSTERY RETAINER, 133,135,139
 CLOCK, 158,161,167
 COLLAR-ADJUSTABLE FRONT SEAT SCREW, 113
 COLLAR-CONTROL LOCK, 149
 COLOR COMBINATIONS, V,VI,VIII,IX,X,XI
 COMMAND CONTROL ASSEMBLY, 303,311
 COMPASS BRACKET, 173
 COMPASS CARD COVER, 157,159,166
 COMPASS CARD RETAINER, 157,159,166
 COMPASS CARD, 157,159,166
 COMPASS-GYRO, 158,161,167,289,293,
 295,297,302,303,307,311
 COMPASS, 157,173
 CONE-BEARING, 351,355
 CONSTANT SPEED PROPELLER, 179

C (Cont)

CONTACTOR ASSEMBLY-MASTER SOLENOID, 329,334
 CONTROL ASSEMBLY-CABIN AIR, 145,147,
 165,169,228,233,235
 CONTROL ASSEMBLY-CABIN HEAT, 145,147,
 165,169,195,233,235,238
 CONTROL ASSEMBLY-CABIN HEAT VALVE, 237,238
 CONTROL ASSEMBLY-FUEL MIXTURE, 195
 CONTROL ASSEMBLY-PARKING BRAKE, 269
 CONTROL ASSEMBLY-STARTER, 195,197
 CONTROL ASSEMBLY-STRAINER DRAIN, 281
 CONTROL ASSEMBLY-THROTTLE, 193,197
 CONTROL ASSY-PROPELLER PITCH, 150,198
 CONTROL LOCK COLLAR, 149
 CONTROL LOCK-MIXTURE, 165
 CONTROL LOCK, 145,147,169,174
 CONTROL SYSTEM-AILERON, 253
 CONTROL TEE ASSEMBLY, 245
 CONTROL TEE INSTALLATION, 245
 CONTROL TUBE, 245
 CONTROL UNIT ASSEMBLY-TACTAIR, 301
 CONTROL WHEEL ASSEMBLY, 245
 CONTROL-CARBURETOR HEAT, 145,147,169,193,195,197
 CONTROL-CARBURETOR MIX, 145,147,165,169,193,197
 CONTROL-COWL FLAPS, 150,198
 CONTROL-FRESH AIR, 147
 CONTROL-PARKING BRAKE, 145,147,165,169,271
 CONTROL-STARTER, 145,147,165,169,193,197
 CONTROL-STRAINER DRAIN, 149,165,169
 CONTROL-THROTTLE, 145,147,165,169,195
 CONTROLS-DUAL-KIT, 364
 COOLER-OIL, 323
 COURTESY LIGHT INSTALLATION, 3,339
 COVER ASSEMBLY-COWL GRILL WINTERIZATION, 227
 COVER ASSEMBLY-FRONT SEAT BOTTOM, 105
 COVER ASSEMBLY-FRONT SEAT BACK, 103,105
 COVER ASSEMBLY-FUEL TANK TOP, 3
 COVER ASSEMBLY-FUSELAGE TUNNEL, 58,129
 COVER ASSEMBLY-GYRO PANEL, 157
 COVER ASSEMBLY-IGNITION SWITCH, 169
 COVER ASSEMBLY-REAR SEAT BOTTOM, 115,117
 COVER ASSEMBLY-REAR SEAT BACK, 115,117
 COVER ASSEMBLY-SEAT BOTTOM RECLINING, 109
 COVER ASSEMBLY-SHOCK MOUNTED PANEL, 157,159
 COVER CABIN DOME LIGHT, 337
 COVER-BRAKE DISC, 98
 COVER-COMPASS CARD, 157,159,166
 COVER-COWL DECK, 125
 COVER-DOORPOST, 121,126
 COVER-FUEL VALVE, 362
 COVER-GYRO, 158
 COVER-LANDING LIGHT CAP, 3
 COVER-MASTER CYLINDER, 361
 COVER-SEAT BOTTOM, 111
 COVER-STATIONARY PANEL, 147
 COVER-STATIONARY PANEL, 151,165,170
 COVER-TAB CONTROL WHEEL, 261
 COVER-TUNNEL, 129
 COWL ASSEMBLY-ENGINE, 183,185,187,189
 COWL ASSEMBLY-LOWER, 183,185,187,189
 COWL ASSEMBLY-UPPER, 183,185,187,189
 COWL DECK COVER, 125
 COWL DOOR ASSEMBLY, 183,185,187,190
 COWL FLAP ASSEMBLY LH, 190
 COWL FLAP ASSEMBLY RH, 190
 COWL FLAP CONTROL BRACES, 208
 COWL FLAPS CONTROL, 150,198
 COWL MOUNT ASSEMBLY-LOWER LH, 197
 COWL MOUNT ASSEMBLY-LOWER RH, 197
 COWL MOUNT ASSEMBLY-UPPER RH, 197
 COWL MOUNT ASSEMBLY-UPPER LH, 197
 COWL NOSE CAP, 183,185,187,189
 COWL RUB STRIP-ASBESTOS, 52

ALPHABETICAL INDEX

C (Cont)

COWL SHOCKMOUNT, 197
 CUP-BEARING, 351,355,357
 CUP-FUEL SAMPLER, 174
 CUSHION ASSEMBLY-AUXILIARY SEAT, 119
 CUSHION ASSEMBLY-FRONT SEAT BOTTOM, 103
 CUSHION ASSEMBLY-FRONT SEAT BOTTOM, 103,105
 CUSHION ASSEMBLY-SEAT UPHOLSTERED, 111
 CUSHION ASSY-HEADREST, 110,111
 CYLINDER ASSEMBLY-BRAKE, 241,269,271,361
 CYLINDER HEAD TEMP GAGE, 150,158,161,167
 CYLINDER HEAD TEMP GAGE KIT, 364
 CYLINDER OXYGEN, 315

D

DAMPENER ASSEMBLY-SHIMMY, 83,87,359
 DAMPER-DEFROSTER OUTLET, 235
 DART-LH, 345
 DECAL-BAGGAGE, 130
 DECAL-MAP LIGHT, 121,126
 DECAL-OPERATIONAL LIMITATIONS, 125
 DECAL-RETRACT WATER RUDDERS, 321
 DECAL-STALL RECOVERY, 321
 DECAL-TAB POSITION INDICATOR, 261
 DECALS-SEE PLACARDS, INSIGNIA, NAMEPLATES
 DEFLECTOR ASSEMBLY, 221,224
 DEFROSTER DUCT, 233
 DEFROSTING & HEATING SYSTEM, 233,235,237
 DETECTOR-POSITION LIGHT, 4
 DIRECTIONAL GYRO, 158,161,167,289,293,
 295,297,302,303,307,311
 DISC CLIP, 352
 DISC-BRAKE, 351
 DISTRIBUTOR-PRIMER, 283
 DOME LIGHT COVER, 337
 DOME LIGHT, 337
 DOOR ASSEMBLY-BAGGAGE, 143
 DOOR ASSEMBLY-BATTERY ACCESS, 71
 DOOR ASSEMBLY-COWL, 183,185,187,190
 DOOR ASSEMBLY-GLOVE BOX, 153,155
 DOOR ASSEMBLY-OUTSIDE AIR, 52,228
 DOOR CATCH GLOVE BOX, 153,165
 DOOR HANDLE ESCUTCHEON, 131,135,137
 DOOR HANDLE SHAFT, 133,135,139
 DOOR HINGE REINFORCEMENT, 133,135,139
 DOOR LATCH BOLT, 141
 DOOR LOCK, 133,135
 DOOR PANEL ASSEMBLY-UPHOLSTERY, 131,137
 DOOR WEATHERSTRIP, 133
 DOOR-CABIN RH, 137
 DOOR-CABIN-LH, 131,135
 DOORPOST ASSEMBLY-FUSELAGE LH, 55
 DOORPOST ASSEMBLY-FUSELAGE RH, 55
 DOORPOST COVER, 121,126
 DOORPOST SPLICE PLATE, 55
 DORSAL ASSEMBLY, 30
 DORSAL FIN ASSEMBLY, 321
 DORSAL SKIN, 30
 DOUBLER-ENGINE MOUNT REINFORCEMENT, 63,65
 DOUBLER-EXHAUST OPENING, 187,189
 DOUBLER-FIREWALL, 325
 DOUBLER-LOWER COWL OPENING, 183
 DOUBLER-THUMB LATCH, 139
 DRAIN CONTROL INSTALLATION, 276,281
 DRAIN LINE, SEE LINES
 DRAIN PLUG, 19,23,351
 DRAIN VALVE, 281
 DUAL CONTROLS KIT, 364
 DUAL VENTURI GYRO INSTALLATION, 289
 DUCT ASSEMBLY-DEFROSTER, 233
 DUCT ASSEMBLY-HEATER, 63,64,233,235

E

ELECTRICAL EQUIPMENT, 329,333
 ELEVATOR ASSEMBLY, 39
 ELEVATOR BALANCE WEIGHT, 39
 ELEVATOR BELLCRANK FORWARD, 259
 ELEVATOR BELLCRANK REAR, 259
 ELEVATOR BELLCRANK, 39
 ELEVATOR CABLE-STAINLESS STEEL
 TAB ACTUATOR TO DISCONNECT, 261
 ELEVATOR CABLE-STAINLESS STEEL
 TAB WHEEL TO DISCONNECT, 261
 ELEVATOR CABLE-STAINLESS STEEL
 TAB WHEEL TO TURN BUCKLE, 261
 ELEVATOR CABLE-STAINLESS STEEL
 TAB ACTUATOR TO TURNBUCKLE, 261
 ELEVATOR CABLE-TAB ACTUATOR TO DISCONNECT, 261
 ELEVATOR CABLE-TAB ACTUATOR TO TURNBUCKLE, 261
 ELEVATOR CABLE-TAB WHEEL TO DISCONNECT, 261
 ELEVATOR CABLE-TAB WHEEL TO TURNBUCKLE, 261
 ELEVATOR CHAIN-CABLE TO TAB ACTUATOR, 261
 ELEVATOR CONTROL CABLE, SEE CABLE
 ELEVATOR CONTROL SYSTEM INSTALLATION, 259
 ELEVATOR HINGE ASSEMBLY-TAB RH, 39
 ELEVATOR SERVO, 313
 ELEVATOR SKIN, 39
 ELEVATOR SPAR, 39
 ELEVATOR TAB ACTUATOR ASSEMBLY, 261
 ELEVATOR TAB ACTUATOR, 33
 ELEVATOR TAB CONTROL CHAIN, 261
 ELEVATOR TIP, 39
 ELEVATOR TORQUE TUBE, 39
 ELEVATOR TRIM CONTROL SYSTEM INSTALLATION, 261
 ELEVATOR TRIM TAB, 39
 ENGINE ASSEMBLY, 193,195,197,201,203,207,208
 ENGINE BAFFLES INSTALLATION, 201,203,
 207,208,217,219,221,223
 ENGINE COWL, 183,185,187,189
 ENGINE INSTALLATION, 193,195,197
 ENGINE MOUNT DOUBLER, 63,65
 ENGINE MOUNT STRINGER, 47,51
 ENGINE MOUNT, 201,203,207,208
 ENGINE PRIMER, 145,147,165,169,276
 EQUIPMENT INSTALLATION-WINTERIZATION, 227
 EQUIPMENT INSTAL AND ASSEMBLY-INST PANEL, 165
 ESCUTCHEON-DOOR HANDLE, 131,135,137
 EXHAUST CLAMP, 213,215
 EXHAUST HEATER ADAPTER, 213
 EXHAUST HEATER-MUFFLER RH, 213
 EXHAUST HEATER-MUFFLER LH, 213
 EXHAUST STACK ASSEMBLY-LH, 215
 EXHAUST STACK ASSEMBLY-RH, 215
 EXPANDER-TIRE, 173
 EXTENSION-STARTER ARM, 201,207,209
 EXTERNAL POWER PLUG, 329,333
 EXTINGUISHER-FIRE, 173
 EYEBOLT-CARGO TIE DOWN, 173
 EYEBOLT HOISTING, 173
 EYEBOLT-MOORING, 49,52,81

F

FAIRING ASSEMBLY-WING REAR LOWER, 4
 FAIRING ASSEMBLY-WING, 4
 FAIRING ASSY-MAIN GEAR, 98,101
 FAIRING ASSY-NOSE GEAR, 83,88
 FAIRING-EMPELLAGE, 33
 FAIRING-FIBERGLASS, 98,101
 FAIRING-FORWARD WING, 4
 FAIRING-MAIN LANDING GEAR WHEEL, 97,98,99,101
 FAIRING-REAR DOORPOST, 122,126
 FAIRING-RUDDER, 35
 FAIRING-TAILCONE, 81
 FAIRINGS KIT-SPEED, 365

ALPHABETICAL INDEX

F (Cont)

FASTENER-REAR BAGGAGE PANEL, 129
 FASTENER-UPHOLSTERY PANEL, 137
 FASTENER-UPHOLSTERY PANEL DOOR, 131
 FASTENER-UPHOLSTERY, 135
 FILLER NECK-FUEL TANK, 19,23
 FILLER PLUG, 359,361
 FILLET ASSEMBLY-WING LH, 41,43
 FILLET ASSEMBLY-WING RH, 41,43
 FILTER-AIR BOX, 204
 FILTER-AIR, 190,207,210
 FILTER-CARBURETOR AIR INTAKE, 185,204
 FILTER-OIL, 285
 FIN & DORSAL ASSEMBLY, 29
 FIN & DORSAL INSTALLATION, 30
 FIN ASSEMBLY, 30
 FIN SKIN, 30
 FIN SPAR, 29,30
 FIN TIP-ROTATING BEACON, 30,341
 FIN TIP, 29,30
 FIN-DORSAL, 321
 FINISH & TRIM PLATE, V
 FIRE EXTINGUISHER, 173
 FIREWALL ASSEMBLY, 47,51,62,63,64
 FIREWALL GROMMETS, 67,69
 FIREWALL SHEET, 62
 FITTING ASSEMBLY-CARBURETOR HEAT, 201
 FITTING-FUEL VENT, 19
 FITTING-LUBRICATOR, 91,92,95
 FITTING-NOSE GEAR LOWER, 49,51
 FITTING-NOSE GEAR UPPER, 49,51
 FITTING-STRUT ATTACHMENT, 15
 FITTING-STRUT LOWER END, 28
 FITTING-STRUT UPPER END, 28
 FLANGE-PITOT STATIC LINE, 49,52
 FLAP ASSEMBLY-COWL, 190
 FLAP ASSEMBLY-LEFT WING, 27
 FLAP ASSEMBLY-RIGHT WING, 27
 FLAP BELLCRANK-LH, 257
 FLAP BELLCRANK-RH, 257
 FLAP BELLCRANK, 27
 FLAP CABLE-DIRECT FORWARD, 255
 FLAP CABLE-DIRECT LOWER, 255
 FLAP CABLE-DIRECT UPPER, 255
 FLAP CABLE-RETURN FORWARD, 255
 FLAP CABLE-RETURN LOWER, 255
 FLAP CABLE-RETURN UPPER, 255
 FLAP CABLE-STAINLESS STEEL DIRECT FORWARD, 255
 FLAP CABLE-STAINLESS STEEL RETURN FORWARD, 255
 FLAP CABLE-STAINLESS STEEL DIRECT LOWER, 255
 FLAP CABLE-STAINLESS STEEL RETURN LOWER, 255
 FLAP CABLE-STAINLESS STEEL RETURN UPPER, 255
 FLAP CABLE-STAINLESS STEEL DIRECT UPPER, 255
 FLAP CONTROL CABLE, SEE CABLE
 FLAP CONTROL SYSTEM INSTALLATION, 255
 FLAP FAIRING-LOWER, 28
 FLAP FAIRING-UPPER, 28
 FLAP INSTALLATION, 27
 FLAP LEVER LATCH, 257
 FLAP LEVER, 257
 FLAP RELEASE BUTTON, 257
 FLAP ROD ASSEMBLY, 257
 FLAP ROLLER, 27
 FLAP SKIN, 27
 FLAP SPAR, 27
 FLARE-1-1/2 MINUTE PARACHUTE, 335
 FLASHER ASSEMBLY-POSITION LIGHT, 329,333
 FLASHER CARTRIDGE, 329,333
 FLASHER INSTALLATION NAV LIGHTS, 329,333
 FLOATPLANE BRACE, 325,327
 FLOATPLANE CONVERSION KIT, 364

F (Cont)

FLOATPLANE FITTINGS INSTALLATION, 321,323
 FLOATPLANE STRUCTURE, 321,327
 FLOORBOARD & BAGGAGE COMPT UPHOL INSTL, 122,127
 FLOORBOARD ASSEMBLY-FUSELAGE REAR, 71,75
 FLOORBOARD-FUSELAGE CENTER SECTION AFT, 45
 FLOORBOARD-FUSELAGE CENTER SECTION FORWARD, 45
 FLOORBOARD-FUSELAGE FRONT SECTION LH, 47,51
 FLOORBOARD-FUSELAGE FRONT SECTION RH, 47,51
 FORK & BARREL ASSEMBLY, 95
 FORK-NOSE GEAR, 91,95
 FORWARD BAFFLE-ENGINE, 217,219,221,224
 FRAME ASSEMBLY-SEAT ADJUSTABLE, 113
 FRAME-DOOR UPPER INBOARD, 45
 FRAME-DOOR UPPER OUTBOARD, 45
 FRAME-WINDOW, 80,133,135
 FRESH AIR CONTROL, 147
 FRONT & CENTER SECTION-FUSELAGE, 41,43,45
 FRONT DOORPOST BULKHEAD, 47,51,55
 FRONT SEAT BACK ASSEMBLY, 103,105
 FRONT SEAT RAILS, 45
 FRONT SEAT-BACK COVER, 103,105
 FRONT SEAT-BOTTOM COVER, 105
 FRONT SEAT, 103,105,109,111
 FRONT SECTION ASSEMBLY-FUSELAGE, 45
 FRONT SECTION STRUCTURE, 47,51
 FRONT SPAR CAP, 45
 FUEL CAP-AUX FUEL, 279
 FUEL DRAIN VALVE, 19,23
 FUEL GAGE AUXILIARY, 279
 FUEL GAGE, 19,149,165,169
 FUEL LINE, SEE LINES
 FUEL SAMPLER CUP, 174
 FUEL SELECTOR HANOLE, 275
 FUEL SELECTOR VALVE BRACKET, 45,275,290
 FUEL SELECTOR VALVE, 275,290,362
 FUEL STRAINER BODY, 281
 FUEL STRAINER, 277,281
 FUEL SYSTEM INSTALLATION, 275
 FUEL TANK ADAPTER, 19,23
 FUEL TANK TOP COVER, 3
 FUEL TANK-AUXILIARY, 277
 FUEL TANK-FILLER NECK, 19,23
 FUEL TANK, 19,23
 FUEL VALVE COVER, 362
 FUSE RETAINER CLIP, 153
 FUSE RETAINER, 145,155,165,169
 FUSE-ELECTRIC CLOCK 2 AMP, 330,334
 FUSEHOLDER-ELECTRIC CLOCK, 330,334
 FUSEHOLDER-10 AMP, 147
 FUSEHOLDER-15 AMP, 147
 FUSEHOLDER-20 AMP, 147
 FUSELAGE AFT SECTION, 41,43,71,75
 FUSELAGE ASSEMBLY, 41,43
 FUSELAGE DOORPOST, 55
 FUSELAGE ELECTRICAL EQUIPMENT INSTAL 172, 329
 FUSELAGE ELECTRICAL EQUIPMENT INSTAL 175, 333
 FUSELAGE EQUIPMENT INSTALLATION, 173
 FUSELAGE TUNNFL COVER, 58,129

G

GAGE-AUXILIARY FUEL, 279
 GAGE-CARBURETOR AIR TEMPERATURE, 158,162,167,317
 GAGE-CYLINDER HEAD TEMPERATURE, 150,158,161,167
 GAGE-FUEL, 19,149,165,169
 GAGE-MANIFOLD PRESSURE, 149,158,167,317
 GAGE-OIL PRESSURE DIRECT, 149,285
 GAGE-OIL PRESSURE ELECTRIC, 149,285

ALPHABETICAL INDEX

G (Cont)

GAGE-OIL PRESSURE, 157,165,169
 GAGE-OIL TEMPERATURE, 157,165,169
 GAGE-SUCTION, 167,307,312,296C
 GAS GAGE AUXILIARY, 279
 GAS GAGE, 19,149,165,169
 GAS TANK, 19,23
 GASKET-ADAPTER ASSEMBLY, 19
 GASKET-CAP, 19
 GASKET-CARBURETOR AIR BOX, 207,210
 GASKET-CARBURETOR AIR FILTER, 185,190,204,207,210
 GASKET-DRAIN PLUG, 23
 GASKET-FUEL TANK ADAPTER, 19,23
 GENERATOR BLAST TUBE, 219,221,223,329
 GENERATOR INSTALLATION-25 AMP, 329
 GENERATOR INSTALLATION, 329,333
 GENERATOR-35 AMP, 329,333
 GENERATOR-35AMP KIT, 364
 GLASS ASSEMBLY-WINDOW, 133,135,139
 GLOVE BOX & DOOR INSTALLATION, 153,155
 GLOVE BOX CLIP, 153
 GLOVE BOX DOOR CATCH, 153,165
 GLOVE BOX SPRING CATCH, 155
 GLOVE BOX, 153,155
 GRIP-WINDOW LATCH, 133
 GROMMET-ASBESTOS, 67
 GROMMET-BATTERY CABLE, 67,69
 GROMMET-DOOR, 187
 GROMMET-MAG P LINE, 67,69
 GROMMET-OIL TEMPERATURE GAGE LINE, 67,69
 GROMMET-TACHOMETER SHAFT, 67,69
 GROMMET-THROTTLE CONTROL, 67,69
 GROMMET-WIRING HARNESS, 67,69
 GROMMETS INSTALLATION-FIREWALL, 67,69
 GROUND SERVICE PLUG BRACKET, 333
 GROUND SERVICE PLUG INSTALLATION, 329,333
 GROUND SERVICE PLUG RECEPTACLE, 329,333
 GROUND SERVICE PLUG KIT, 364
 GROUND STRAP-BATTERY, 329,333
 GROUND STRAP, 19,23,157,159,165,207,208,329,333
 GUARD-CABLE, 253,254,257,259
 GUIDE-FUEL SELECTOR VALVE SHAFT, 276
 GYRO COMPASS, 158,161,167,289,293,295,297,
 302,303,307,311
 GYRO INSTALLATION-DUAL VENTURI, 289
 GYRO PANEL COVER, 157
 GYRO-DIRECTIONAL, 158,161,167,289,293,296C
 295, 297, 302, 303, 307, 311
 GYRO-HORIZON, 158,161,167,289,293,296C
 295, 297, 289, 301, 303, 307, 311

H

HANDLE ASSEMBLY-ADJUSTABLE FRONT SEAT, 113
 HANDLE ASSEMBLY-FRONT SEAT ADJUSTMENT, 103
 HANDLE ASSEMBLY-FUEL SELECTOR VALVE, 275
 HANDLE-ASSIST, 49
 HANDLE-DOOR, 140
 HANDLE-INSIDE DOOR, 131,135,137
 HANDLE-SEAT BACK ACTUATOR, 111
 HANDLE-SEAT LATCH, 109
 HANGER-INTERIOR TRIM, 45
 HANGER-UPHOLSTERY, 80
 HARNESS-SHOULDER, 173
 HEADLINER ASSEMBLY, 122,126
 HEADREST CUSHION, 110,111
 HEADREST INSTALLATION, 110,111
 HEATED PITOT & STALL WARNING KIT, 364
 HEATER ASSEMBLY-PITOT, 263,266
 HEATER DUCT, 63,64,233,235

H (Cont)

HEATER MUFF, 213
 HEATER VALVE ARM, 223,235
 HEATER VALVE-CABIN, 233,235,237
 HEATING & DEFROSTING SYSTEM, 233,235,237
 HEAVY DUTY AXLE, 98,99
 HINGE ASSEMBLY-AILERON, 25
 HINGE ASSEMBLY-COWL DOOR, 185
 HINGE ASSEMBLY-COWL, 189
 HINGE ASSEMBLY-DOOR UPPER, 135
 HINGE ASSEMBLY-DOOR UPPER, 133
 HINGE ASSEMBLY-DOOR UPPER RIGHT, 139
 HINGE ASSEMBLY-DOOR LOWER RIGHT, 139
 HINGE ASSEMBLY-FIN, 29
 HINGE ASSEMBLY-GLOVE BOX, 153,155
 HINGE ASSEMBLY-LOWER COWL, 183
 HINGE ASSEMBLY-STABILIZER, 33
 HINGE ASSEMBLY-UPPER COWL, 187
 HINGE HALF LH-COWL FLAP, 189
 HINGE HALF LH-COWL FLAP, 190
 HINGE HALF RH-COWL FLAP, 189
 HINGE HALF RH-COWL FLAP, 190
 HINGE-BAGGAGE DOOR, 143
 HINGE-DOOR LOWER, 133,135
 HINGE-ELEVATOR, 39
 HINGE-FLOOR FITTING AUXILIARY SEAT, 119
 HINGE-WINDOW, 133,136
 HOISTING EYEBOLT, 173
 HOISTING PROVISIONS INSTALLATION, 173
 HOOK-COAT HANGER, 122,127
 HOOK-SHOULDER HARNESS, 173
 HORIZON GYRO, 158,161,167,289,293,
 295,297,289,301,303,307,311
 HORN ASSEMBLY-STALL WARNING, 149
 HORN ASSEMBLY-TRIM TAB, 39
 HOSE ASSEMBLY-ADAPTER TO OIL SUMP, 323
 HOSE ASSEMBLY-CARBURETOR TO STRAINER, 201,
 203,207,208,276
 HOSE ASSEMBLY-DILUTION VALVE TO ENGINE, 287
 HOSE ASSEMBLY-FIREWALL TO VACUUM PUMP, 299
 HOSE ASSEMBLY-GYRO HORIZON TO RELIEF VALVE, 293
 HOSE ASSEMBLY-GYRO HORIZON TO FIREWALL, 295,297
 HOSE ASSEMBLY-MASTER CYLINDER TO ELBOW, 269,271
 HOSE ASSEMBLY-OIL COOLER, 323
 HOSE ASSY-HORIZONTAL GYRO TO SUCTION GAGE, 312
 HOSE-BRAKE LINE PROTECTOR, 97
 HOSE-OIL INPUT, 285
 HOSE-OIL OUTLET, 285
 HOUSING-THUMB LATCH, 141
 HUB-DUAL BRAKE, 241

I

IGNITION SWITCH, 145,147,165,169
 IGNITION SWITCH COVER, 169
 INDEX NUMERICAL, 367
 INDICATOR-AIRSPFD, 157,159,166,263,265
 INDICATOR LIGHT-GENERATOR, 145,149,165,169
 INDICATOR-STALL WARNING, 145,166
 INDICATOR-TURN & BANK, 158,161,167
 INDICATOR-VERTICAL SPEED, 158,161,167,263,266
 INITIAL-S, 159
 INLET-AIR, 52
 INLET-CABIN HEATER SHROUD, 233
 INSIGNIA-CESSNA, 101
 INSIGNIA-DECORATIVE EMBLEM, 157
 INSIGNIA-SKYLARK, 101
 INSPECTION PLATE-WING, 4
 INSTRUCTIONS-HOW TO ORDER PARTS, II
 INSTRUCTIONS-HOW TO READ FINISH & TRIM PLATE, III
 INSTRUCTIONS-HOW TO USE CATALOG, I,II

ALPHABETICAL INDEX

I (Cont)

INSTRUMENT PANEL BRACE, 49,51
 INSTRUMENT PANEL EQUIPMENT, 165
 INSTRUMENT PANEL EQUIPMENT-STATIONARY, 145,147,169
 INSTRUMENT PANEL SHOCK MOUNTED, 157,159,165
 INSTRUMENT PANEL-STATIONARY, 47,51,
 145,147,151,165,169
 INSTRUMENT-SEE INDIVIDUAL LISTINGS
 INTER CYLINDER BAFFLES, 217,219,221,223,224

J

JACK-HEADPHONE, 147,166
 JACK-MICROPHONE, 145,147,166
 JACKPOINT-UNIVERSAL, 173
 JAMB ASSEMBLY-BAGGAGE DOOR, 75
 JET ASSEMBLY-PRIMER, 201,207,209

K

KICK PLATE-FLOORBOARD, 129
 KIT-AUXILIARY FUEL TANK, 277
 KNOB ASSEMBLY-DEFROSTER, 235
 KNOB-CAP-AIR OUTLET, 228
 KNOB-CIGAR LIGHTER, 145,147,166,169
 KNOB-FRONT SEAT ADJUSTMENT, 105
 KNOB-FRONT SEAT LATCH, 111
 KNOB-GLOVE BOX, 153,155
 KNOB-LANDING LIGHT SWITCH, 145,165,169
 KNOB-MASTER SWITCH, 145,165,169
 KNOB-NAVIGATION LIGHT SWITCH, 145,165,169
 KNOB-PRIMER, 145,147,169
 KNOB-SCREW HANDLE, 113
 KNOB-SELECTOR VALVE, 290
 KNOB-SWITCH, 147
 KNOB-THUMB LATCH, 137
 KNOB, 161,165,301,307

L

LAMP BULBS, 3,35,37,161,173,337,339,341
 LAMP-COMPASS, 173
 LAMP-LANDING, 339
 LAMP-REFLECTOR, 341
 LAMP-SINGLE CONTACT BASE, 35,37
 LANDING GEAR AXLE, 97,99
 LANDING GEAR BULKHEAD, 45,79
 LANDING GEAR FILLET PLATE, 97,99
 LANDING GEAR-MAIN, 97,99
 LANDING GEAR SPRING, 97,99
 LANDING LIGHT COVER, 3
 LANDING LIGHT INSTALLATION, 3,338
 LANDING LIGHT KIT, 364
 LANDING LIGHT LENS, 337
 LANDING LIGHT, 338,339
 LATCH ASSEMBLY-BAGGAGE DOOR, 143
 LATCH ASSEMBLY-DOOR, 133,135,139,140
 LATCH ASSEMBLY-REAR SEAT, 115,117
 LATCH ASSEMBLY-THUMB, 139,141
 LATCH ASSEMBLY-WINDOW, 133,136
 LATCH-AUXILIARY SEAT, 119
 LATCH-COWL DOOR, 183
 LATCH-DOOR STOP, 133,135,139
 LATCH-SEAT BACK, 115
 LEAD-THERMOCOUPLE, 150,158,162,167,198
 LEADING EDGE ASSEMBLY-WING, 5,9,13
 LENS-LANDING LIGHT, 337

L (Cont)

LENS-ROTATING BEACON, 341
 LENS-TAIL LIGHT CLEAR, 35,37
 LENS-WING POSITION LIGHT, 3
 LETTERING-SKYHAWK, 159
 LETTERING-SKYLARK, 159,345
 LEVER ASSEMBLY-FLAP, 257
 LID ASSEMBLY-BATTERY BOX, 59,60
 LIGHT ASSEMBLY-INSTRUMENTS, 337
 LIGHT ASSEMBLY-RUDDER, 35,37
 LIGHT BULBS, 3,35,37,161,173,337,339,341
 LIGHT-COMPASS, 173
 LIGHT-LANDING KIT, 364
 LIGHT-LANDING, 338
 LIGHT-TAIL, 35,37
 LIGHTER KNOB, 145,147,166,169
 LIGHTER-CIGAR, 145,147,166,169
 LIGHTS-CABIN, 337
 LINE ASSEMBLY-AIRSPD IND TO ALT, 263,265
 LINE ASSEMBLY-ALT TO AIRSPD INDICATOR, 289
 LINE ASSEMBLY-ALTIMETER TO VERT SPEED, 263,265
 LINE ASSEMBLY-BREATHER, 201,203,207,208
 LINE ASSEMBLY-CONNECT VENTURI TUBES, 289
 LINE ASSEMBLY-DILUTION VALVE TO FUEL
 STRAINER, 287
 LINE ASSEMBLY-DIRECTIONAL GYRO TO VALVE, 290
 LINE ASSEMBLY-DIR GYRO TO SUCTION GAGE, 289
 LINE ASSEMBLY-DIR GYRO TO GYRO HORIZON, 293,295
 LINE ASSEMBLY-ELBOW TO STRAINER, 276
 LINE ASSEMBLY-ENGINE TO FIREWALL, 285
 LINE ASSEMBLY-FIREWALL TO MANIFOLD, 317
 LINE ASSEMBLY-FIREWALL TO GAGE, 285
 LINE ASSEMBLY-FIREWALL TO BAFFLE, 277
 LINE ASSEMBLY-FIREWALL TO PRIMER, 276
 LINE ASSY-FUEL SELECTOR VALVE TO FIREWALL, 276
 LINE ASSEMBLY-FUEL TANK TO UNION, 275
 LINE ASSEMBLY-GAGE TO FIREWALL, 317
 LINE ASSEMBLY-GYRO TO SUCTION GAGE, 301,303
 LINE ASSEMBLY-HIGH PRESSURE, 315
 LINE ASSEMBLY-HORIZON GYRO TO VALVE, 290
 LINE ASSEMBLY-HORIZON GYRO DIRECTIONAL GYRO, 289
 LINE ASSEMBLY-HORIZON GYRO TO SUCT GAGE, 289,307
 LINE ASSEMBLY-LOW PRESSURE, 315
 LINE ASSEMBLY-MANIFOLD DRAIN, 208,283
 LINE ASSEMBLY-OIL PRESSURE, 201,203,209,285
 LINE ASSEMBLY-OXYGEN, 315
 LINE ASSEMBLY-PITOT TUBE TO UNION, 266
 LINE ASSEMBLY-PITOT TUBE TO WING ROOT, 263,265
 LINE ASSEMBLY-PRIMER DISTRIBUTOR TO CYL, 283
 LINE ASSEMBLY-PRIMER BAFFLE TO DISTRIBUTOR, 283
 LINE ASSEMBLY-PRIMER FIREWALL TO BAFFLE, 283
 LINE ASSEMBLY-PRIMER, 193,195,198
 LINE ASSEMBLY-RELIEF VALVE TO VENTURI, 293
 LINE ASSEMBLY-RELIEF VALVE TO VENTURI TUBE, 289
 LINE ASSEMBLY-SEPARATOR TO ENGINE, 299
 LINE ASSY-STATIC SOURCE TO AIRSPD IND, 263,265
 LINE ASSEMBLY-STRAINER TO FIREWALL, 276
 LINE ASSEMBLY-SUCTION GAGE TO VALVE, 290
 LINE ASSEMBLY-TEE TO CYLINDER, 277
 LINE ASSEMBLY-UNION TO SELECTOR VALVE, 275,276
 LINE ASSEMBLY-VACUUM PUMP TO SEPARATOR, 299
 LINE ASSEMBLY-VENT, 275
 LINE ASSEMBLY-WING ROOT TO AIRSPD IND, 263,265
 LINE-BATTERY BOX DRAIN, 60
 LINE-BRAKE, 97,101,269,271
 LINE-DRAIN, 296
 LINING-PISTON, 351
 LINK ASSEMBLY-TORQUE UPPER, 91
 LINK ASSEMBLY-TORQUE UPPER, 91,92
 LIP-LOWER COWL, 183
 LOCK ASSEMBLY-BAGGAGE DOOR, 143

ALPHABETICAL INDEX

L (Cont)

LOCK ASSEMBLY-DOOR, 133,135
 LOCK-CONTROL, 145,147,169,174
 LOWER COWL, 183,185,187,189
 LOWER SHOCK STRUT, 91,95
 LUG-CARGO TIE DOWN, 173

M

M.A.A. NAME PLATE, 41,43,347
 MACHINING ASSEMBLY-CONTROL TEE, 245
 MAIN GEAR WHEEL & BRAKE, 98,101,351
 MAIN GEAR WHEEL, 351
 MAIN LANDING GEAR INSTALLATION, 97,99
 MANIFOLD PRESSURE GAGE INSTALLATION, 317
 MANIFOLD PRESSURE GAGE, 149,158,167,317
 MAP BOX, 153,155
 MAP LIGHT, 337
 MASK-OXYGEN, 315
 MASTER BRAKE CYLINDER, 241,269,271,361
 MASTER CYLINDER BODY-BRAKE, 361
 MASTER SOLENOID CONTACTOR, 329,334
 MASTER SOLENOID WATER SHIELD, 329
 MASTER SWITCH, 145,147,165,169
 MCCAULEY PROPELLER-METAL, 177,178
 MEDALLION-ANNIVERSARY MODEL, 155,348
 METERING PIN, 95
 MIXTURE CONTROL-CARBURETOR, 145,147,165,169,193,197
 MIXTURE LOCK CONTROL, 165
 MOORING EYEBOLT, 49,52,81
 MOORING RING, 28
 MOUNT ASSEMBLIES COWL, 197
 MOUNT ASSEMBLY-ENGINE, 201,203,207,208
 MOUNT-SHOCK, 157,159,165,207
 MOUNT-TAIL LIGHT, 35,37
 MUFFLER WELD ASSEMBLY-RH, 215
 MUFFLER WELD ASSEMBLY-LH, 215

N

NAME PLATE-CESSNA, 345,347
 NAME PLATE-INSIGNIA RH, 345
 NAME PLATE-INSIGNIA LH, 345
 NAME PLATE-INSIGNIA, 345,347
 NAME PLATE-M.A.A., 41,43,347
 NAME PLATE-SKYHAWK, 347
 NAME PLATE-SKYLARK, 348
 NAME PLATE-172, 345,347
 NAME PLATE-175, 347
 NAMEPLATE, 166
 NAV LIGHT FLASHER KIT, 364
 NAV LIGHT SWITCH, 145,147,165,169
 NAV-O-MATIC INSTL, SEE CESSNA ELECTRONICS MANUAL
 NAV-O-MATIC KIT, 364
 NAVIGATION LIGHT FLASHER, 329,333
 NAVIGATION LIGHTS FLASHER INSTALLATION, 329,333
 NIPPLE-PRIMING JET, 193,195,198,277,283
 NOSE CAP ASSEMBLY-LOWER COWL, 183,185,187,189
 NOSE CAP ASSEMBLY-UPPER COWL, 183,187
 NOSE GEAR FITTINGS, 49,51
 NOSE GEAR FORK, 91,95
 NOSE GEAR INSTALLATION, 83,87
 NOSE GEAR SHOCK STRUT, 87,95
 NOSE GEAR STEERING ARM, 91,95
 NOSE GEAR STEERING TUBE, 83,87
 NOSE GEAR STRUT, 83,91
 NOSE GEAR TORQUE LINK, 95

N (Cont)

NOSE GEAR WHEEL, 83,87,355,357
 NUMERICAL INDEX, 367
 NUT-SEAT ADJUST SCREW, 113
 NUT-WHEEL FAIRING SUPPORT, 98,101
 NUTSTRIP-LOWER COWL, 183

O

OIL COOLER INSTALLATION, 323
 OIL COOLER, 323
 OIL DILUTION INSTALLATION, 287
 OIL DILUTION KIT, 364
 OIL FILTER INSTALLATION-FRAM PB5, 285
 OIL FILTER, 285
 OIL LINE, SEE LINES
 OIL PRESSURE GAGES, 149,157,165,169,285
 OIL PRESSURE TRANSMITTER, 207
 OIL SEPARATOR, 296,296C
 OIL SYSTEM INSTALLATION, 285
 OIL TEMP GAGE, 157,165,169
 OPTIONAL ACCESSORY KITS, 364,365
 ORIFICE-PISTON SUPPORT ASSEMBLY, 91,95
 OUTSIDE AIR TEMP GAGE, 173
 OVERLAY-CESSNA, 246
 OVERLAY-172, 246
 OXYGEN CYLINDER & VALVE ASSEMBLY, 315
 OXYGEN LINE, SEE LINES
 OXYGEN MASK CASE, 315
 OXYGEN SYSTEM INSTALLATION, 315
 OXYGEN SYSTEM KIT, 364
 OXYGEN-GAGE, 315

P

PAD-WINDSHIELD SIDE & LOWER, 57
 PAD-WINDSHIELD UPPER, 57
 PAINT, V,VI,VII,VIII,IX,X,XI
 PAN ASSEMBLY-AIR FILTER, 189
 PANEL ASSEMBLY-AFT, 121,126
 PANEL ASSEMBLY-BAGGAGE DOOR, 129
 PANEL ASSEMBLY-BAGGAGE COMPARTMENT, 129
 PANEL ASSEMBLY-CABIN REAR UPPER SOUNDPROOF, 126
 PANEL ASSEMBLY-CABIN TOP SOUNDPROOF, 122,126
 PANEL ASSEMBLY-FIREWALL UPPER, 125
 PANEL ASSEMBLY-FIREWALL LOWER, 125
 PANEL ASSEMBLY-SIDE TOP, 125
 PANEL ASSEMBLY-SIDE TOP, 121
 PANEL ASSEMBLY-SIDEWALL, 125
 PANEL ASSEMBLY-SIDEWALL, 121
 PANEL ASSEMBLY-STATIONARY COVER SKYHAWK, 170
 PANEL ASSEMBLY-STATIONARY, 47,51,145,147,151,165,169
 PANEL COVER-STATIONARY, 151,165,170
 PANEL-FUSE, 151
 PANEL-GYRO COVER, 289
 PANEL-SHOCK FALSE, 165
 PANEL-SHOCK MOUNTED INSTRUMENT, 157,159,165
 PANEL-STATIONARY INSTRUMENT, 145,147,169
 PARKING BRAKE CLAMP, 269,271
 PARKING BRAKE CONTROL, 145,147,165,169,269,271
 PAWL-DRAIN VALVE, 281
 PEDAL INSTALLATION-BRAKE & RUDDER RH, 241
 PEDAL INSTALLATION-RUDDER & BRAKE LH, 241
 PEDAL-BRAKE & RUDDER, 241
 PIN-METERING, 91
 PISTON ASSEMBLY-MASTER CYLINDER, 361
 PISTON ASSEMBLY, 359

ALPHABETICAL INDEX

P(Cont)

PITOT HEATER, 263,266
 PITOT LINE, SEE LINES
 PITOT SYSTEM INSTALLATION, 263,265
 PITOT TUBE ASSEMBLY, 263,266
 PITOT TUBE, 263,265
 PLACARD ASSEMBLY-FLOATPLANE, 321,323
 PLACARD-AVOID SLIPS, 345,347
 PLACARD-BAGGAGE AND/OR AUX PASSENGER, 130,348
 PLACARD-BAGGAGE, 130,175,279,345,348
 PLACARD-BOTH TANKS ON, 129,345,347
 PLACARD-COPYRITE, 345
 PLACARD-DRAIN DAILY, 345
 PLACARD-FINISH & TRIM, 345,347
 PLACARD-FLAP INSTRUCTIONS, 345,347
 PLACARD-FUEL SELECTION, 275,345,347
 PLACARD-FUEL TRANSFER SWITCH, 279
 PLACARD-LANDING LIGHT, 165,345
 PLACARD-M.A.A., 345
 PLACARD-MAP LIGHT, 345,347
 PLACARD-MARKER BEACON, 347
 PLACARD-NOSE GEAR, 91,95
 PLACARD-OIL DILUTION, 146,165,287,345,347
 PLACARD-OPERATIONAL LIMITATIONS 172, 347
 PLACARD-OPERATIONAL LIMITATIONS 175, 347
 PLACARD-OPERATIONAL LIMITATIONS, 121,345
 PLACARD-PITOT HEAT, 263,266,348
 PLACARD-RETRACT WATER RUDDER, 345
 PLACARD-RH ONLY WINTERIZATION, 227
 PLACARD-ROTATING BEACON, 165,341,345
 PLACARD-SERVICE INFORMATION, 153,155,345,347
 PLACARD-SPARE FUSES, 153,345
 PLACARD-STALL WITH FLOATS, 345
 PLACARD-STRAINER DRAIN, 345
 PLACARD-TAB POSITION INDICATOR, 345,347
 PLACARD-TAKE OFF RANGE, 345,347
 PLACARD-VACUUM LIGHTS PRESS TO TEST, 296,348
 PLACARD-VACUUM LIGHTS, 162,293
 PLACARD-WINTERIZATION KIT, 347
 PLACARD-WINTERIZATION, 347
 PLACARD-WINTERIZATION COMPONENTS, 227
 PLACARD-WINTERIZATION, 227,345
 PLACARD-172 FLOATPLANE, 347
 PLACARD-35 AMP FUSE, 345,347
 PLACARD-35 AMP GENERATOR FUSE, 333
 PLACARDS AND NAME PLATES INSTALLATION, 345,347
 PLACARDS-AUXILIARY FUEL, 347
 PLACARDS-WHEEL FAIRINGS, 348
 PLATE ASSEMBLY-ACTUATOR LEVER TRIM, 111
 PLATE ASSEMBLY-CABIN HEAT VALVE, 233,235
 PLATE ASSEMBLY-COURTESY LIGHT, 339
 PLATE ASSEMBLY-DOOR HANDLE BEARING, 133,135,139
 PLATE ASSEMBLY-FILL INSTRUCTIONS, 279
 PLATE ASSEMBLY-MOUNTING SPINNER, 177
 PLATE ASSEMBLY-WHEEL FAIRING, 98,101
 PLATE-BRAKE DISC COVER, 99
 PLATE-DOOR LATCH, 75
 PLATE-DOORPOST SPLICE, 55
 PLATE-ENGINE MOUNT REINFORCEMENT, 62
 PLATE-EXHAUST OPENING, 183
 PLATE-LANDING GEAR FILLET, 57,99
 PLATE-LATCH, 140
 PLATE-SELECTOR VALVE, 290
 PLATE-STABILIZER INSPECTION, 33
 PLATE-STRIKE, 143
 PLATE-TUNNEL COVER, 129
 PLATE-WING INSPECTION, 4
 PLUG-DRAIN, 19,23,351
 PLUG-FILLER, 359,361
 PORTABLE STRETCHER, 173,175
 POSITION LIGHT DETECTOR, 4,329,333

P(Cont)

POSITION LIGHT FLASHER, 329,333
 POSITION LIGHT LENS, 3
 PRIMER ASSEMBLY-ENGINE, 145,147,165,169,276
 PRIMER DISTRIBUTOR, 283
 PRIMER JET, 201,207,209
 PRIMER KIT-SIX CYLINDER, 365
 PRIMER LINE, SEE LINES
 PRIMING SYSTEM INSTALLATION-SIX CYLINDER, 283
 PROBE, 318
 PROPELLER GOVERNOR, 211,211B
 PROPELLER INSTALLATION, 177,178,321
 PROPELLER PITCH CONTROL, 150,198
 PROPELLER SPINNER DOME, 177,178
 PROPELLER SPINNER, 177,178,179
 PROPELLER-MCCAULEY METAL, 177,178
 PROPELLER-METAL SENSNICH, 177
 PROPELLER-METAL-FLOATPLANE ONLY, 177,178
 PULLEY BRACKET-ELEVATOR TAB, 71,75
 PULLEY BRACKET-ELEVATOR, 71,75
 PULLEY, 249,251,253,255,257,259,261,308,313
 PUSH PULL ROD-FLAP, 257
 PUSH-PULL ROD AILERON, 25,254
 PUSH-PULL ROD FLAPS, 27

R

RADIO, SEE CESSNA ELECTRONICS MANUAL
 RAIL-FRONT SEAT INBOARD, 45
 RAIL-FRONT SEAT OUTBOARD, 45
 REAR AIR VENT BRACKET, 231
 REAR AIR VENT TUBE, 231
 REAR DOORPOST FAIRING, 122,126
 REAR SEAT AIR VENTS KIT, 364
 REAR SEAT BACK COVER, 115,117
 REAR SEAT BACK, 115,117
 REAR SEAT CATCH, 119
 REAR SEAT VENTS, 229,231
 REAR SEAT-BOTTOM COVER, 115,117
 REAR SEAT, 115,117
 REAR VERTICAL BAFFLE, 219,221,223
 RECEIVER-ASH, 122,126
 RECEPTACLE-COWL, 187,189
 RECEPTACLE-GROUND SERVICE PLUG, 329,333
 RECLINER CAM-SEAT BACK, 113
 RECLINING SEAT INSTALLATION-FRONT, 109
 REGULATOR ASSEMBLY-OXYGEN, 315
 REGULATOR-VOLTAGE 35 AMP, 329,333
 REGULATOR-VOLTAGE, 330,334
 REINFORCEMENT-DOOR HINGE, 133,135,139
 RELIEF VALVE, 289,293,295,299,296C
 RESISTOR, 146
 RETAINER ASSEMBLY-HEADLINER, 46
 RETAINER HALF-WINDSHIELD LOWER, 57
 RETAINER-ASH TRAY, 121,125,126
 RETAINER-COMPASS CARD, 157,159,166
 RETAINER-FUSE, 145,155,165,169
 RETAINER-HEADLINER, 46,55
 RETAINER-HEADREST, 111
 RETAINER-INSTRUMENT PANEL COVER, 125
 RETAINER-REAR SEAT UPHOLSTERY, 115,117
 RETAINER-RUDDER BAR, 129
 RETAINER-UPHOLSTERY HEATING OPENING, 125
 RETAINER-UPHOLSTERY, 55,125
 RETAINER-VENT, 125
 RETAINER-WINDOW TRIM, 80
 RETAINER-WINDOW TRIM UPPER, 80
 RETAINER-WINDOW, 139
 RETAINER-WINDSHIELD LOWER INNER, 57

ALPHABETICAL INDEX

R (Cont)

RETAINER-WINDSHIELD LOWER OUTER, 57
 RETAINER-WINDSHIELD TOP, 45
 RETAINER-WINDSHIELD, 55
 RHEOSTAT ASSEMBLY-PANEL LIGHT, 145
 RHEOSTAT ASSEMBLY, 146,161,165
 RIB AILERON, 25
 RIB ASSEMBLY-FLAP TRACK, 7,9
 RIB ASSEMBLY-FUEL CELL, 5,9,10
 RIB ASSEMBLY-NOSE, 13
 RIB ASSEMBLY-WING TRAILING EDGE, 7,9
 RIB-DORSAL, 29,321
 RIB-ELEVATOR, 39
 RIB-FIN, 29
 RIB-FLAP, 27
 RIB-FUSELAGE FORWARD SECTION RH, 45
 RIB-FUSELAGE FORWARD SECTION LH, 45
 RIB-RUDDER, 35,37
 RIB-STABILIZER, 33
 RIB-WING CENTER SECTION, 7,9
 RIB-WING ROOT TRAILING EDGE, 7,9
 RING-CARGO TIE DOWN, 173
 RING-MOORING, 28
 ROD ASSEMBLY-AILERON PUSH-PULL, 25,254
 ROD END, 25,27
 ROD-FRONT SEAT ADJUSTMENT, 103
 ROLL TRIM ASSEMBLY, 301
 ROLLER ASSEMBLY-FLAP ATTACHMENT, 27
 ROLLER-SEAT, 103,105,109,113
 ROTATING BEACON ASSEMBLY, 341
 ROTATING BEACON CIRCUIT BREAKER, 165
 ROTATING BEACON INSTALLATION, 330,334,341
 ROTATING BEACON KIT, 364
 ROTATING BEACON LENS, 341
 ROTATING BEACON LIGHT DOME, 341
 RUB STRIP-BAFFLE, 217
 RUB STRIP-LEFT CYLINDER BAFFLES, 217
 RUB STRIP-LEFT FRONT BAFFLE, 217
 RUB STRIP-REAR BAFFLE, 217
 RUB STRIP-RIGHT CYLINDER BAFFLES, 217
 RUB STRIP-RIGHT FRONT BAFFLE, 217
 RUB STRIP, 71,75,79,81,305
 RUDDER ASSEMBLY, 35,37
 RUDDER BALANCE WEIGHT, 35
 RUDDER BAR ARM, 241,242
 RUDDER BELLCRANK, 35,249
 RUDDER CABLE-AFT RH, 249,251
 RUDDER CABLE-FORWARD, 249,251
 RUDDER CABLE-STAINLESS STEEL FORWARD, 249,251
 RUDDER CABLE-STAINLESS STEEL AFT RH, 249,251
 RUDDER CENTRALIZER ASSEMBLY, 321,363
 RUDDER CONTROL CABLE, SEE CABLE
 RUDDER CONTROL SYSTEM INSTALLATION, 249,251
 RUDDER FAIRING, 35
 RUDDER HINGE HALF ASSEMBLY-LOWER, 30
 RUDDER HINGE HALF ASSEMBLY-MIDDLE, 30
 RUDDER HINGE HALF ASSEMBLY-UPPER, 30
 RUDDER HORN, 251
 RUDDER LIGHT, 35,37
 RUDDER PEDAL BEARING ASSEMBLY-OUTBOARD, 241
 RUDDER PEDAL, 241
 RUDDER SKIN, 35
 RUDDER SPAR, 35
 RUDDER TIP, 37

S

SAFETY BELT, 103,106,110,115,117,119
 SAFETY BELT ATTACHMENT BRACKET, 103,106,110
 SCOOP ASSEMBLY-AIR, 183,187,189
 SCRAPER-MAIN WHEEL FAIRING, 98,101
 SCRAPER-NOSE GEAR FAIRING, 84,88
 SCREEN-VENT, 52,125
 SCREW-ADJUSTABLE FRONT SEAT, 113
 SCUFF PLATE, 130
 SEAL-AIR VENT, 231
 SEAL-BLEEDER, 351
 SEAL-LANDING GEAR FILLET, 97,99
 SEAL-WINDOW GLASS, 133,135,136
 SEALER-TAPE, 57
 SEAT ASSEMBLY-ADJUSTABLE FRONT, 111
 SEAT ASSEMBLY-FRONT, 103,105
 SEAT ASSEMBLY-RECLINING, 109
 SEAT BACK ASSEMBLY RECLINING, 109
 SEAT BACK COVER-REAR, 115,117
 SEAT BACK REAR, 115,117
 SEAT BACK-ADJUSTABLE, 111
 SEAT BACK-FRONT, 103,105
 SEAT BELT, 103,106,110,115,117,119
 SEAT BOTTOM ASSEMBLY-RECLINING, 109
 SEAT BOTTOM MECHANISM INSTALLATION-ADJ, 111
 SEAT BOTTOM-REAR, 115,117
 SEAT COVER BOTTOM REAR, 115,117
 SEAT COVER-FRONT BOTTOM, 105
 SEAT COVER-FRONT SEAT BACK, 103,105
 SEAT COVERS KIT, 364
 SEAT HANDLE ATTACHMENT, 103
 SEAT INSTALLATION-ADJUSTABLE FRONT, 111
 SEAT INSTALLATION-REAR, 115,117
 SEAT RAILS, 45
 SEAT ROLLER, 103,105,109,113
 SEAT SKIRT, 103,105,111
 SEAT-AUXILIARY, 119
 SEGMENT-REAR SPAR OUTBOARD, 15
 SENSITIVE ALTIMETER, 157,166,263,265
 SENSITIVITY ADJUSTER ASSEMBLY, 302
 SENSITIVITY ADJUSTER-TACTAIR, 307
 SERVO & AMPLIFIER ASSEMBLY-ELEVATOR, 305
 SERVO & AMPLIFIER ASSEMBLY-AILERON, 305
 SERVO ASSEMBLY-AILERON, 301,302,305,308,312
 SERVO ASSEMBLY-ELEVATOR DOWN, 313
 SERVO ASSEMBLY-ELEVATOR UP, 313
 SHAFT ASSEMBLY-FUEL SELECTOR VALVE, 276
 SHAFT-CABIN HEATER VALVE, 233,235,237
 SHAFT-DOOR HANDLE, 133,135,139
 SHAFT-TAB CONTROL, 261
 SHAFT-TACHOMETER DRIVE, 149,158,166,169
 SHEET-FIREWALL, 62
 SHEET-FLOORBOARD FRONT DOORPOST, 56
 SHEET-LOWER FIREWALL, 63,64
 SHEET-UPPER FIREWALL, 63,64
 SHELF ASSEMBLY-BAGGAGE COMPARTMENT, 130
 SHIELD ASSEMBLY-COURTESY LIGHT, 339
 SHIELD ASSEMBLY-DOORPOST, 126
 SHIELD ASSEMBLY-DOORPOST UPPER, 121,321
 SHIELD ASSEMBLY-INSTRUMENTS, 337
 SHIELD-CONTROL TEE, 129
 SHIELD-FRONT SPAR, 121
 SHIELD-FRONT SPAR, 121,126
 SHIELD-GROMMET, 67
 SHIELD-MASTER SOLENOID WATER, 329
 SHIELD-RUDDER BAR, 129
 SHIM-MAIN LANDING GEAR, 98
 SHIM-SHOCK STRUT, 92,95
 SHIMMY DAMPENER ARM, 83
 SHIMMY DAMPENER, 83,87,359
 SHOCK MOUNT, 157,159,165,207,208,289

ALPHABETICAL INDEX

S(Cont)

SHOCK MOUNTED PANEL COVER, 157,159
 SHOCK STRUT ASSEMBLY-NOSE GEAR, 87,95
 SHOCK STRUT ASSEMBLY-LOWER, 91,95
 SHOE-STABILIZER, 33
 SHOULDER HARNESS INSTALLATION, 173
 SHOULDER HARNESS KIT, 365
 SHROUD ASSEMBLY-EXHAUST RH, 213,215
 SHROUD-EXHAUST HEATER LH, 213,215
 SHUT OFF VALVE-ALTITUDE HOLD, 311
 SILL ASSEMBLY-DOOR LOWER, 45
 SIX CYLINDER PRIMER KIT, 365
 SKI AXLE, 98,101
 SKIN ASSEMBLY-FUSELAGE TOP, 71,75,80
 SKIN-AFT SECTION FUSELAGE, 71,81
 SKIN-DOORPOST OUTER, 55
 SKIN-DORSAL, 30
 SKIN-ELEVATOR, 39
 SKIN-FIN, 30
 SKIN-FLAP, 27
 SKIN-FUSELAGE CENTER SECTION LOWER, 45,49,51
 SKIN-FUSELAGE FRONT SECTION UPPER, 49
 SKIN-RUDDER, 35
 SKIN-STABILIZER, 33
 SKIN-TOP, 80
 SKINS & STRINGERS INSTALLATION, 17
 SKINS & STRINGERS-WING, 9
 SKIRT-FRONT SEAT, 103,105,111
 SKIRT-RECLINING SEAT, 109
 SNAP RING-DOOR, 187
 SNUBBER, 52
 SOCKET ASSEMBLY, 337,339,341
 SOCKET-CONTROL TUBE, 145
 SOLENOID-MASTER, 329,334
 SOUNDPROOFING-COWL DECK, 125
 SOUNDPROOFING-SHIELD, 121,126
 SOUNDPROOFING-SIDEWALLS, 125
 SPAR ASSEMBLY-FIN, 29
 SPAR ASSEMBLY-FUSELAGE CENTER SECTION FORWARD, 55
 SPAR ASSEMBLY-OUTBOARD AUXILIARY, 15
 SPAR ASSEMBLY-VERTICAL FIN, 30
 SPAR ASSEMBLY-WING FRONT, 15
 SPAR ASSEMBLY-WING REAR, 15
 SPAR BEARING BLOCK, 55,77
 SPAR INBOARD CHANNEL, 15
 SPAR OUTBOARD CHANNEL, 15
 SPAR-AILERON, 25
 SPAR-CENTER SECTION, 77
 SPAR-ELEVATOR, 39
 SPAR-FLAP, 27
 SPAR-RUDDER FRONT, 35
 SPAR-RUDDER REAR, 35
 SPAR-STABILIZER, 33
 SPARS ASSEMBLIES-WING, 15
 SPARS ASSEMBLY-WING, 9
 SPEAKER-RADIO, 337
 SPEED FAIRING ASSEMBLY-NOSE GEAR, 83,88
 SPEED FAIRING INSTALLATION-MAIN LANDING GEAR, 98,101
 SPEED FAIRINGS KIT, 365
 SPEED FAIRINGS-MAIN, 97,98,99,101
 SPINNER ASSEMBLY-PROPELLER, 177,178,179
 SPINNER BULKHEAD ASSEMBLY, 178,179
 SPINNER DOME ASSEMBLY, 177,178
 SPINNER MOUNTING PLATE, 177
 SPLICE PLATE-FUSELAGE, 71
 SPOTLIGHT ASSEMBLY-MAP, 337
 SPRING ASSEMBLY-LANDING GEAR, 99
 SPRING-BRAKE & RUDDER RETURN, 241,323
 SPRING-CABIN AIR VALVE, 233,235,238
 SPRING-DOOR HANDLE, 131,135,137
 SPRING-FUEL VALVE, 362

S(Cont)

SPRING-LANDING GEAR, 97
 SPRING-PARKING BRAKE, 361
 SPRING-PISTON RETURN, 361
 SPRING-THUMB LATCH, 141
 SPRING-WARM AIR VALVE, 238
 SPROCKET-AILERON CHAIN, 245
 SPROCKET-TAB CONTROL, 261
 STABILIZER ABRASION BOOT KIT, 365
 STABILIZER ASSEMBLY, 33
 STABILIZER FAIRING ASSEMBLY, 33
 STABILIZER INSTALLATION, 33
 STABILIZER SHOE, 33
 STABILIZER SKIN, 33
 STABILIZER SPAR, 33
 STABILIZER TIP, 33
 STACK ASSEMBLY-EXHAUST RH, 201,203,207,208,213
 STACK ASSEMBLY-EXHAUST LH, 201,203,207,208,213
 STACK-INLET, 215
 STACKS-EXHAUST, 215
 STAINLESS STEEL CABLES, SEE CABLE
 STALL WARNING HORN, 149
 STALL WARNING INDICATOR, 145,166
 STALL WARNING UNIT-WING, 4
 STARTER ARM EXTENSION, 201,207,209
 STARTER BRACKET, 195
 STARTER CONTROL TUBE, 195,211
 STARTER SWITCH, 150,169
 STATIC FLANGE, 49,52
 STATIC LINE, SEE LINES
 STATIC LINE, 167
 STATIONARY INST PANEL EQUIP INSTAL, 145,147,169
 STATIONARY PANEL COVER, 147
 STEERING ARM-NOSE GEAR, 91,95
 STEP BRACKET, 97,99
 STEP, 99
 STOP ASSEMBLY-DOOR CATCH, 7,10
 STOP BOLT-ELEVATOR, 33
 STOP BOLT-RUDDER, 249,251
 STOP-AILERON BELLCRANK, 25
 STOP-BAGGAGE DOOR, 75
 STOP-EXTEND, 91
 STRAINER & DRAIN CONTROL INSTALLATION, 276,281
 STRAINER ASSEMBLY-FUEL, 277,281
 STRAINER BODY-FUEL, 281
 STRAINER DRAIN CONTROL, 149,165,169,281
 STRAP ASSEMBLY-FUEL TANK, 7,9,19,23
 STRAP-ASSIST, 121,126
 STRAP-BATTERY GROUND, 329,333
 STRAP-BRAKE LINE, 97
 STRAP-GROUND, 19,23,157,159,165,207,208,329,333
 STRAP-SHOULDER HARNESS REINFORCEMENT, 72,75
 STRETCHER KIT, 365
 STRETCHER-GRANPORTABLE, 175
 STRETCHER-PORTABLE, 176
 STRIKE PLATE, 143
 STRIKE PLATE, 77,155
 STRINGER ASSEMBLY-ENGINE MOUNT, 47,51
 STRINGER-FUSELAGE CENTER SECTION, 45
 STRIP-WINDSHIELD INSIDE CENTER, 57
 STRIP-WINDSHIELD OUTSIDE CENTER, 57
 STRUCTURE ASSEMBLY-CABIN DOOR RH, 139
 STRUCTURE ASSEMBLY-FUSELAGE FRONT SECT, 47,51
 STRUCTURE ASSEMBLY-LEFT WING, 3,5,9
 STRUCTURE ASSEMBLY-RIGHT WING, 3,5,9
 STRUCTURE ASSY-CABIN DOOR LH, 133,135
 STRUCTURE DETAILS-FLOATPLANE FUSELAGE, 321,327
 STRUT ASSEMBLY-LH, 28
 STRUT ASSEMBLY-NOSE GEAR, 83,91
 STRUT ASSEMBLY-RH, 28
 STRUT FAIRINGS KIT, 365
 STRUT FITTINGS, 15,28

ALPHABETICAL INDEX

S (Cont)

STUD-COWL, 190
 STUD-DOOR COWL, 187
 SUCTION GAGE, 149,158,170,289,293,295,297,301,303
 SUCTION GAGE, 167,307,312,296C
 SUN VISOR INSTALLATION, 173
 SUN VISOR KIT, 365
 SUN VISOR, 173
 SUPER VENTURI, 289,293
 SUPPORT ASSEMBLY-CONTROL TEE, 58
 SUPPORT-INTER HEAD BAFFLE, 219,221
 SUPPORT-LEFT FRONT BAFFLE, 217
 SUPPORT-REAR VERTICAL BAFFLE, 219
 SUPPORT-RIGHT FRONT BAFFLE, 217
 SUPPORT-TAIL LIGHT, 35
 SWITCH & CIRCUIT BREAKER, 341
 SWITCH ASSEMBLY-LANDING LIGHT, 145,147,165,169
 SWITCH-FLARE, 335
 SWITCH-FUEL TRANSFER, 279
 SWITCH-IGNITION, 145,147,165,169
 SWITCH-LOCK KIT, 147,169
 SWITCH-MASTER, 145,147,165,169
 SWITCH-NAVIGATION LIGHT, 145,147,165,169
 SWITCH-OIL DILUTION, 146,165
 SWITCH-PUSH BUTTON PRESS TO TEST, 293,296
 SWITCH-PUSH BUTTON, 162
 SWITCH-STARTER, 150,169
 SYSTEMS, SEE INDIVIDUAL LISTINGS

T

TAB CONTROL SHAFT, 261
 TAB CONTROL WHEEL COVER, 261
 TAB CONTROL WHEEL, 261
 TAB-TRIM, 35
 TACHOMETER, 149,157,166,169
 TACHOMETER SHAFT, 149,158,166,169
 TACTAIR CABLE ASSEMBLIES, 302,308,313
 TACTAIR COMMAND CONTROL ASSEMBLY, 303,311
 TACTAIR KITS, 365
 TACTAIR SENSITIVITY ADJUSTER, 307
 TACTAIR T-1 AUTO PILOT, 301
 TACTAIR T-2 AUTO PILOT, 301,307
 TACTAIR T-3 AUTOPILOT, 303,311
 TAIL LIGHT LENS, 35,37
 TAIL LIGHT SUPPORT, 35
 TAIL LIGHT, 35,37
 TAIL PIPE-EXHAUST LH, 213
 TAIL PIPE-EXHAUST RH, 213
 TAILCONE ASSEMBLY-AFT, 71,75
 TAILCONE ASSEMBLY-FUSELAGE, 81
 TAILPIPE BRACE, 198,207
 TAILPIPE CLAMP, 213
 TAILPIPE, 215
 TAKE-UP SPRING, 305
 TANK ADAPTER FUEL, 19,23
 TANK ASSEMBLY-FUEL LH, 19,23
 TANK ASSEMBLY-FUEL RH, 19,23
 TANK COVER-FUEL, 3
 TAPE-SEALER, 57
 TEE ASSEMBLY-RESTRICTOR, 307
 TEE BLOCK, 303
 TEE-TEST, 312
 TERMINAL-CLEVIS-COWL FLAPS, 198
 TEST FITTING, 303
 THERMOCOUPLE LEADS, 150,158,162,167,198
 THERMOCOUPLE, 158,162,167,198,201
 THROTTLE CONTROL, 145,147,165,169,193,195,197
 TIARA ASSEMBLY, 127

T (Cont)

TIE DOWN LUGS, 28,49,52,81,173,364
 TIP ASSEMBLY-WING, 7,10
 TIP HALF-ELEVATOR LOWER, 39
 TIP HALF-ELEVATOR UPPER, 39
 TIP HALF-RUDDER LH, 35
 TIP HALF-RUDDER RH, 35
 TIP-ELEVATOR, 39
 TIP-FIN, 29,30
 TIP-RUDDER, 37
 TIP-STABILIZER, 33
 TIP-VERTICAL FIN ROTATING BEACON, 30,341
 TIRE EXPANDER, 174
 TIRE-TUBELESS 5.00X5 4 PLY, 355,357
 TIRE-TUBELESS 6.00X6, 352
 TIRE-5.00X5 4 PLY, 355
 TIRE-5.00X5 6 PLY, 355
 TIRE-6.00X6 4 PLY, 352
 TOP ASSEMBLY-CABIN, 45
 TOP SKIN, 80
 TORQUE LINK-LOWER, 95
 TORQUE LINK-NOSE GEAR, 91,92
 TORQUE LINK-UPPER, 95
 TORQUE TUBE ASSEMBLY-ELEVATOR, 39
 TOW BAR, 174
 TRANSMITTER-FUEL GAGE, 19,23
 TRANSMITTER-OIL PRESSURE, 207
 TRAY-ASH, 121,125
 TRAY-ASH, 125
 TRIM ASSEMBLY-ROLL, 307
 TRIM TAB ACTUATOR-ELEVATOR, 33
 TRIM TAB ASSEMBLY-ELEVATOR, 39
 TRIM TAB, 35
 TUBE ASSEMBLY-AILERON CARRY THRU, 253
 TUBE ASSEMBLY-AIR OUTLET, 228
 TUBE ASSEMBLY-BLAST RH, 203
 TUBE ASSEMBLY-BLAST LH, 203
 TUBE ASSEMBLY-NOSE GEAR STEERING, 83,87
 TUBE ASSEMBLY-RUDDER CENTRALIZER, 363
 TUBE ASSEMBLY-SHOCK STRUT, 95
 TUBE-AXLE NOSE GEAR, 83,87
 TUBE-BELLCRANK TO CONTROL TEE, 259
 TUBE-BLAST, 201
 TUBE-CONTROL, 245
 TUBE-DRAIN-BATTERY, 59
 TUBE-DUAL BRAKE, 241
 TUBE-EXHAUST INLET, 213
 TUBE-PITOT, 263,265
 TUBE-REAR AIR VENT, 231
 TUBE-RESTRICTOR TEE TO CONTROL UNIT, 307
 TUBE-SEPARATOR VENT, 299
 TUBE-SHOCK STRUT, 91
 TUBE-STARTER CONTROL, 195,211
 TUBE-VENTURI, 289
 TUBE-5.00X5, 355
 TUBE-6.00X6, 352
 TUNNEL ASSEMBLY-FUSELAGE FORWARD, 47,51,58
 TUNNEL COVER PLATE, 129
 TURN & BANK IND, 158,161,167

U

U-BOLT-MAIN LANDING GEAR, 97,99
 UNIVERSAL JOINT, 245
 UPHOLSTERY DOOR PANEL, 131,137
 UPHOLSTERY INSTAL-FLOORBOARD & BAGGAGE, 129
 UPHOLSTERY INSTALLATION, 121,125
 UPHOLSTERY RETAINING CHANNEL, 121
 UPHOLSTERY-CLIP, 133,135,139
 UPHOLSTERY-FLOORBOARD & BAGGAGE COMPT, 122,127
 UPPER COWL, 183,185,187,189

ALPHABETICAL INDEX

V

VACUUM PUMP, 296,296C
 VACUUM SYSTEM INSTALLATION-ENGINE DRIVEN, 297,296C
 VACUUM SYSTEM INSTALLATION-REAR MOUNTED, 295
 VACUUM SYSTEM-FWD OF FIREWALL, 208
 VALVE AIR, 204
 VALVE ARM ASSEMBLY-CABIN AIR, 235,238
 VALVE ASSEMBLY-AIR, 207
 VALVE ASSEMBLY-CABIN AIR, 233
 VALVE ASSEMBLY-CABIN HEATER, 233,235,237
 VALVE ASSEMBLY-FUEL SELECTOR, 275,290,362
 VALVE ASSEMBLY-SHUT OFF, 303
 VALVE ASSEMBLY-WARM AIR, 238
 VALVE OXYGEN, 315
 VALVE-DEFROSTER DUCT, 233
 VALVE-DILUTION, 287
 VALVE-DRAIN, 281
 VALVE-FUEL DRAIN, 19,23
 VALVE-RELIEF, 289,293,295,299,296C
 VALVE-SHUT OFF, 311
 VALVE-VENT REAR SEAT, 229,231
 VENT ASSEMBLY-FUEL TANK, 19
 VENT ASSEMBLY, 275
 VENT LINE ASSEMBLY 1/4 IN. LINE, 20,23,275
 VENT LINE ASSEMBLY 3/8 IN. LINE, 20,23,275
 VENT LINE, SEE LINES
 VENTILATING-CABIN, 228
 VENTILATION SYSTEM-REAR SEAT, 229,231
 VENTURI & GYROS SYSTEM INSTALLATION, 293
 VENTURI DRIVEN GYROS, 289
 VENTURI TUBE, 289
 VERTICAL SPEED INDICATOR, 158,161,167,263,266
 VISOR ASSEMBLY-SUN, 173
 VOLTAGE REGULATOR-25 AMP, 329
 VOLTAGE REGULATOR, 329,333,334

W(Cont)

WING ASSEMBLY-COMPLETE LH, 3
 WING FAIRING, 4
 WING FILLET, 41,43
 WING FRONT SPAR, 15
 WING REAR SPAR, 15
 WING STRUCTURE, 3,5,9
 WING STRUT, 28
 WING TIP, 7,10
 WING UNIT-STALL WARNING, 4
 WING-LEADING EDGE, 5,9,13
 WINTERIZATION COVER-COWL GRILL, 227
 WINTERIZATION EQUIPMENT, 227
 WINTERIZATION EQUIPMENT, 227
 WIRE-HEADLINER, 122,127

W

WARNING HORN ACTUATOR, 4
 WARNING HORN-STALL, 149
 WASHER-FINISHING, 121,125,126,129
 WEATHER STRIP-BAGGAGE DOOR, 143
 WEATHERSTRIP-DOOR, 133
 WEATHERSTRIP, 135,139,143
 WEIGHT-AILERON BALANCE, 25
 WEIGHT-ELEVATOR BALANCE, 39
 WEIGHT-RUDDER BALANCE, 35
 WEIGHT-RUDDER, 37
 WELD ASSEMBLY-FUEL VENT LINE, 19,23
 WHEEL & BRAKE ASSY-MAIN LANDING GEAR, 98,101,351
 WHEEL ASSEMBLY-CONTROL, 245
 WHEEL ASSEMBLY-MAIN LANDING GEAR, 351
 WHEEL ASSEMBLY-NOSE GEAR-CLEVELAND, 357
 WHEEL ASSEMBLY-NOSE GEAR, 83,87,355,357
 WHEEL ASSEMBLY-TAB CONTROL, 261
 WHEEL FAIRINGS-MAIN, 97,98,99,101
 WHEEL PANTS-MAIN GEAR, 98,101
 WHEEL PANTS-NOSE GEAR, 83,88
 WHEEL SUBASSEMBLY-INBOARD HALF, 351
 WHEEL SUBASSEMBLY-OUTBOARD HALF, 351
 WINDOW ASSEMBLY-DOOR, 133,135
 WINDOW ASSEMBLY-LANDING LIGHT, 338
 WINDOW FRAME, 80,133,135
 WINDOW GLASS, 133,135,139
 WINDOW HINGE, 133,136
 WINDOW-AFT SECTION, 80
 WINDOW-PLEXIGLASS, 338
 WINDSHIELD ASSEMBLY, 57
 WINDSHIELD INSTALLATION, 41,43,57
 WINDSHIELD PAD, 57
 WING ASSEMBLY-COMPLETE RH, 3

PARTS LISTING

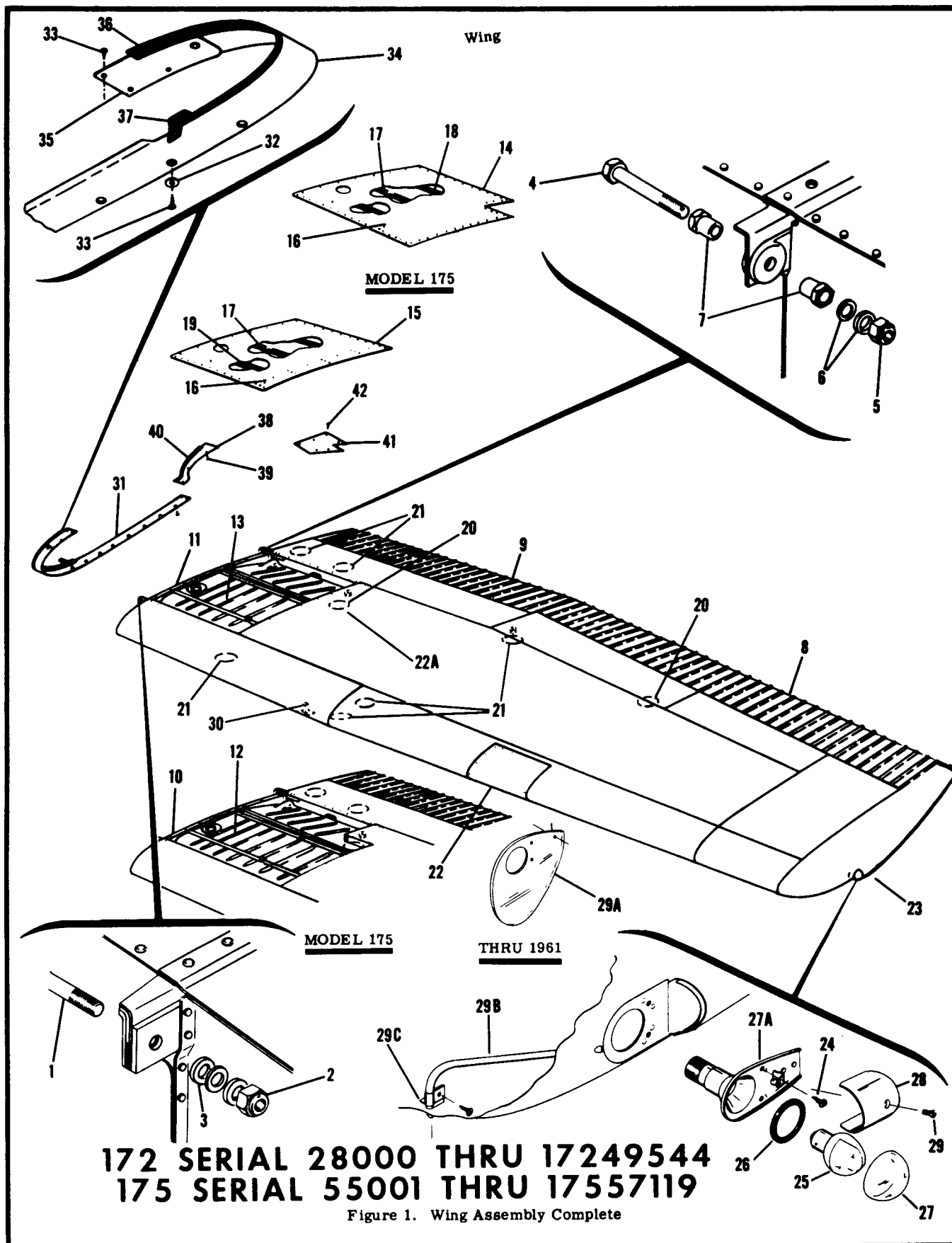


FIGURE AND INDEX NO.	PART NUMBER	DESCRIPTION	UNITS PER ASSY	USABLE ON CODE
		1 2 3 4 5 6 7		
1-		WING ASSEMBLY-COMplete LH WING ASSEMBLY-COMplete RH	NP NP	
		172 SERIAL 28000		
		THRU 17249544		
		175 SERIAL 55001		
		THRU 17557119		
		ATTACHING PARTS		
- 1	AN8-23A	BOLT -----	1	
- 2	MS20365-820C	NUT -----	1	
- 3	AN960-816	WASHER -----	3	
- 4	AN7-24A	BOLT -----	1	
- 5	MS20365-720C	NUT -----	1	
- 6	AN960-716	WASHER -----	2	
- 7	0512123	BUSHING -----	2	
- 8		AILERON INSTALLATION SEE FIGURE 9 -----	1	
- 9		FLAP INSTALLATION SEE FIGURE 10 -----	1	
- 10		STRUCTURE ASSEMBLY-LEFT WING SEE FIGURE 3 -----	1	C
- 11		STRUCTURE ASSEMBLY-RIGHT WING SEE FIGURE 3 -----	1	C
- 11		STRUCTURE ASSEMBLY-LEFT WING SEE FIGURE 2 -----	1	B
- 11		STRUCTURE ASSEMBLY-RIGHT WING SEE FIGURE 2 -----	1	B
- 12		TANK INSTALLATION-FUEL SEE FIGURE 8 -----	1	C
- 13		TANK INSTALLATION-FUEL SEE FIGURE 7 -----	1	B
- 14	0522617-1	COVER ASSEMBLY-FUEL TANK TOP LH -----	1	C
- 14	0522617-2	COVER ASSEMBLY-FUEL TANK TOP RH -----	1	C
- 15	0523521-10	COVER ASSEMBLY-FUEL TANK TOP LH -----	1	D
- 15	0523521-11	COVER ASSEMBLY-FUEL TANK TOP RH -----	1	D
- 15	0523521-19	COVER ASSEMBLY-FUEL TANK TOP LH -----	1	E
- 15	0523521-18	COVER ASSEMBLY-FUEL TANK TOP RH -----	1	E
- 16	NAS228-12	SCREW -----	19	C
- 16	NAS228-8	SCREW -----	41	C
- 16	NAS228-8	SCREW -----	30	B
- 16	NAS228-7	SCREW -----	7	B
- 16	NAS228-9	SCREW -----	11	B
- 16	NAS228-12	SCREW -----	3	B
- 17	0523521-5	PAD-NEOPRENE -----	1	D
- 18	0523540-2	PAD-NEOPRENE -----	2	C
- 19	0523521-6	PAD-NEOPRENE -----	1	B
- 20	S-329	PLATE-INSPECTION -----	2	
		ATTACHING PARTS		
	S-1021Z-8-6	SCREW CESSNA STANDARD -----	4	
- 21	S-225-1	PLATE-INSPECTION-----CESSNA STANDARD -----	6	C
- 21	S-225-1	PLATE-INSPECTION-----CESSNA STANDARD -----	3	B
		ATTACHING PARTS		
	S-1021Z-8-8	SCREW CESSNA STANDARD -----	3	
- 22	0523115-2	COVER-LANDING LIGHT CAP LH ONLY -----	1	
		ATTACHING PARTS		
	S-1021Z-8-6	SCREW CESSNA STANDARD -----	18	
-22A		LANDING LIGHT INSTALLATION----- LH ONLY SEE FIG 92 -----	1	
- 23	0423006-12	COURTESY LIGHT INSTALLATION SEE FIGURE 92A -----	1	G
- 23	0423006-21	LIGHT ASSEMBLY-WING POSITION LH -----	1	F
- 23	0423006-13	LIGHT ASSEMBLY-WING POSITION LH -----	1	G
- 23	0423006-22	LIGHT ASSEMBLY-WING POSITION RH -----	1	F
- 23	0423006-22	LIGHT ASSEMBLY-WING POSITION RH -----	1	G
- 24	S-1021Z-6-6	ATTACHING PARTS		
- 24		SCREW CESSNA STANDARD -----	3	
- 25	A7512-12	BULB-WING POSITION LIGHT----- GMC -----	1	
- 26	A-1257A	GASKET-WING POSITION LIGHT GMC -----	1	
- 27	A-1280-2	LENS-WING POSITION LIGHT RED LH GMC -----	1	
- 27	A-1280-3	LENS-WING POSITION LIGHT GREEN RH-----GMC -----	1	
-27A	0423006-25	LAMP BASE -----	1	G
- 28	A-1286	LAMP BASE-----GMC -----	1	F
- 28	A-1104	FAIRING-WING POSITION LIGHT GMC -----	1	F
- 28	0423007-1	SHIELD-POSITION LIGHT -----	1	G
- 29	AN507-632R12	ATTACHING PARTS		
- 29		SCREW -----	1	

NOTE. FOR ACCESSORY KIT LISTINGS REFER TO PAGE 364

CONTINUED ON PAGE 4

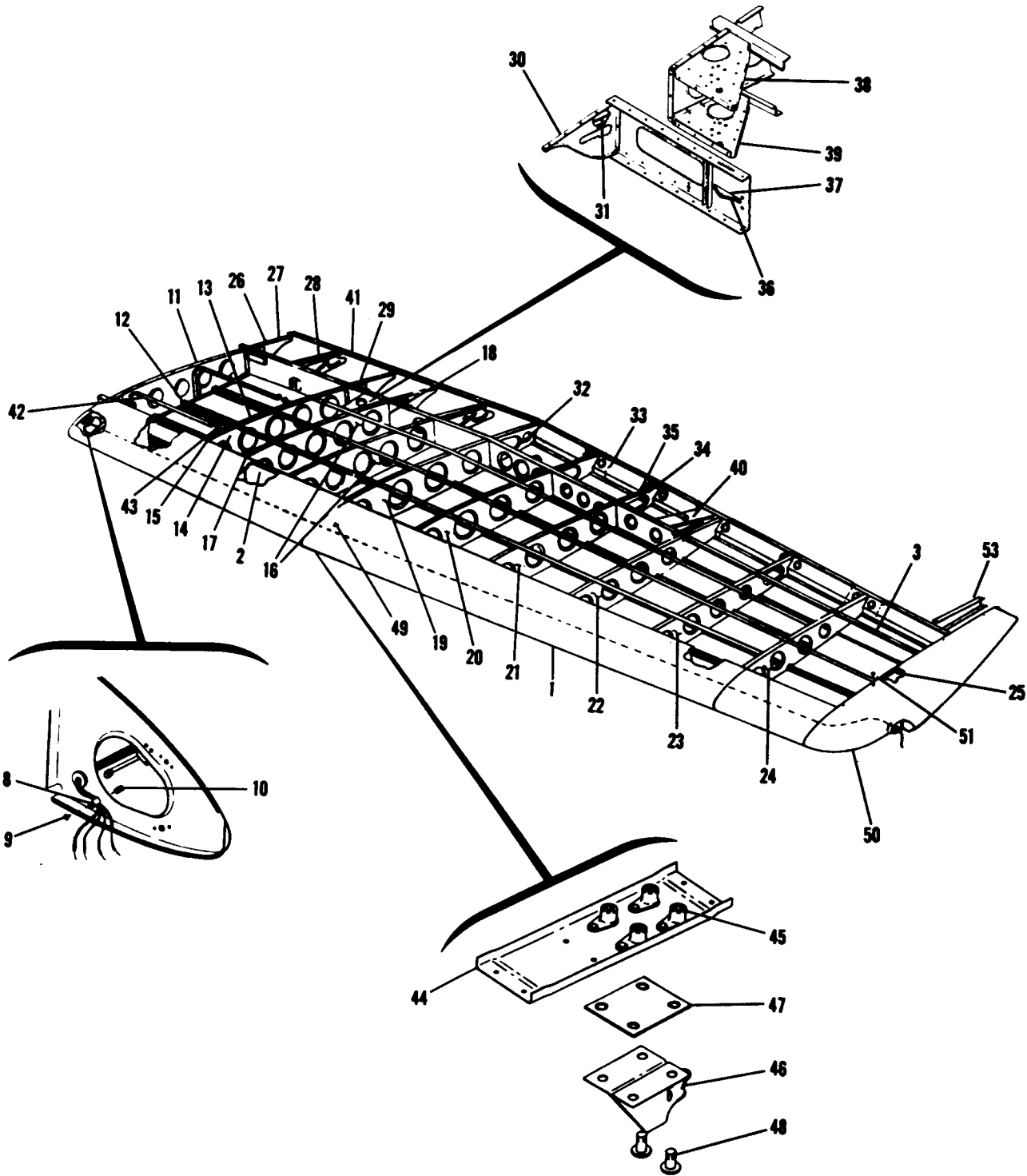
FIGURE AND INDEX NO.	PART NUMBER	DESCRIPTION	UNITS PER ASSY	USABLE ON CODE
1-29A -29B	0523119	DETECTOR-POSITION LIGHT	1	F
	0523702-3	DETECTOR LH	1	G
	0523702-4	DETECTOR RH	1	G
		ATTACHING PARTS		
-29C	S-1021Z-8-6	SCREW CESSNA STANDARD	2	G
	S-1153-1	BRACKET CESSNA STANDARD	1	G
	A3046A-4-92	CLAMP TIN	1	G
		-----*		
- 30	0511062-4	WING UNIT-STALL WARNING LH ONLY	1	
	0511062-5	WING UNIT-STALL WARNING LH ONLY-HEATED	1	
		ATTACHING PARTS		
	S-1021Z-8-6	SCREW CESSNA STANDARD	4	
	NAS395-17-3	NUT	4	
		-----*		
- 31	0520005-12	FAIRING ASSEMBLY-WING LH	1	
	0520005-13	FAIRING ASSEMBLY-WING RH	1	
		ATTACHING PARTS		
- 32	S-290-D832	WASHER CESSNA STANDARD	14	
- 33	S-1022Z-8-8	SCREW CESSNA STANDARD	14	
		-----*		
- 34	0520005-10	FAIRING-FORWARD WING LH	1	
	0520005-11	FAIRING-FORWARD WING RH	1	
- 35	0520005-6	EXTENSION	2	
- 36	0520005-3	RUB STRIP	1	
- 37	0520005-7	RUB STRIP	1	
- 38	0520008	FAIRING ASSEMBLY-WING REAR LOWER LH	1	
	0520008-1	FAIRING ASSEMBLY-WING REAR LOWER RH	1	
		ATTACHING PARTS		
- 39	S-1021Z-8-6	SCREW CESSNA STANDARD	8	
		-----*		
- 40	S-202RB	MOULDING CESSNA STANDARD	AR	
- 41	0520007-3	PLATE-WING INSPECTION LH	1	
	0520007-2	PLATE-WING INSPECTION RH	1	
		ATTACHING PARTS		
- 42	S-1021Z-8-8	SCREW CESSNA STANDARD	6	
		-----*		
		B---172 SERIAL 28000 THRU 17249544		
		C---175 SERIAL 55001 THRU 17557119		
		D---172 SERIAL 28000 THRU 36965		
		E---172 SERIAL 36966 THRU 17249544		
		F---172 SERIAL 28000 THRU 17248734		
		175 SERIAL 55001 THRU 17557002		
		G---172 SERIAL 17248735 THRU 17249544		
		175 SERIAL 17557003 THRU 17557119		

FIGURE AND INDEX NO.	PART NUMBER	DESCRIPTION	UNITS PER ASSY	USABLE ON CODE
		1 2 3 4 5 6 7		
2-	0523005-1 *	STRUCTURE ASSEMBLY-RIGHT WING WHEN -----	1	B
		EXHAUSTED USE 0523005-200 -----		
	0523005-200	STRUCTURE ASSEMBLY-RIGHT WING -----	1	
	0523005-58 *	STRUCTURE ASSEMBLY-LEFT WING WHEN -----	1	B
		EXHAUSTED USE 0523005-201 -----		
	0523005-201	STRUCTURE ASSEMBLY-LEFT WING -----	1	
- 1		LEADING EDGE ASSEMBLY-WING SEE FIGURE 4 -----	1	
- 2		SPARS ASSEMBLY-WING SEE FIGURE 5 -----	1	
- 3		SKINS & STRINGERS-WING SEE FIGURE 6 -----	1	
- 4		DELETED-NOT PROCURABLE		NP
- 5		DELETED-NOT PROCURABLE		NP
- 6		DELETED-NOT PROCURABLE		NP
- 7		DELETED-NOT PROCURABLE		NP
- 8	A3046A-4	CLAMP LH ONLY -----	1	
	A2980A-3	CLAMP RH ONLY -----	1	
- 9	S-10212-8-8	SCREW CESSNA STANDARD -----	1	
- 10	NAS446-4-3	NUT TIM A1778-8Z-3 -----	1	
- 11	0523507	RIB ASSEMBLY-FUEL CELL LH STA 23.625 -----	1	
	0523507-1	RIB ASSEMBLY-FUEL CELL RH STA 23.625 -----	1	
	NAS680A08	NUTPLATE -----	7	
	NAS444-4	NUTPLATE LH ONLY -----	6	
- 12	0523519	HAT SECTION-FUEL TANK LOWER -----	4	
	0523540	PAD-NEOPRENE -----	3	
- 13	0523003-48	DOUBLER -----	1	
- 14	0523508-5	RIB ASSEMBLY-RIGHT FUEL CELL STA 57.125 -----	1	
	0523508-8	RIB ASSEMBLY-LEFT FUEL CELL STA 57.125 -----	1	
	NAS680A08	NUTPLATE -----	11	
- 15	0523517-2	SPACER-RIB FORWARD STA 57.125 -----	1	
- 16	0523509	RIB-WING CENTER SECTION STA 71.375 TO STA 85.625 -----	2	
- 17	0523517-4	SPACER-RIB FORWARD STA 71.375 -----	1	
- 18	0523517-3	SPACER-RIB AFT STA 71.375 -----	1	

172 SERIAL 28000
THRU 17249544

CONTINUED ON PAGE 7

Wing (Cont)



172 SERIAL 28000 THRU 17249544

Figure 2. Wing Structure Assembly

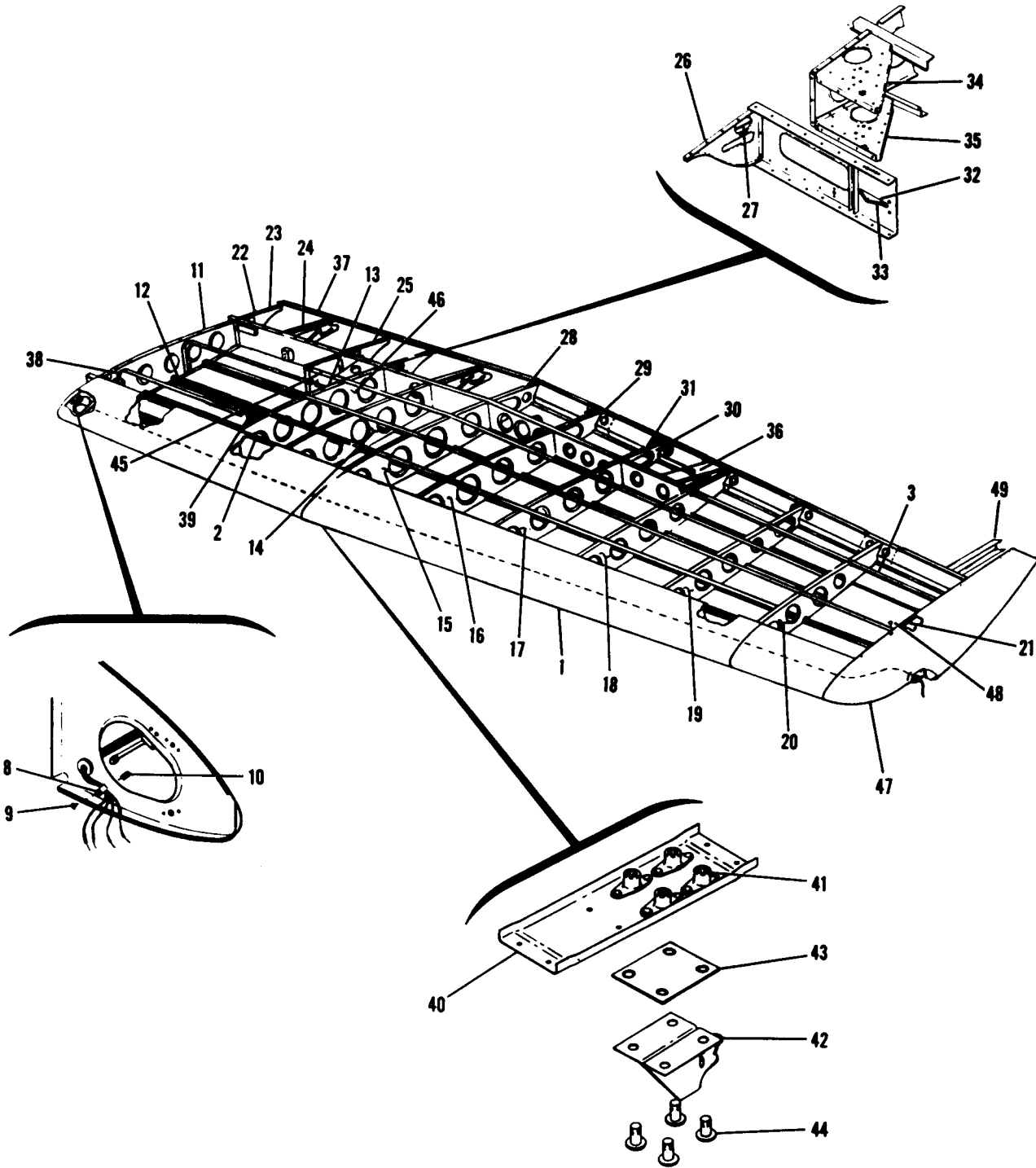
FIGURE AND INDEX NO.	PART NUMBER	DESCRIPTION	UNITS PER ASSY							USABLE ON CODE	
			1	2	3	4	5	6	7		
2- 19	0523510	RIB-WING CENTER SECTION STA 100 LH								1	
	0523510-1	RIB-WING CENTER SECTION STA 100 RH								1	
- 20	0523511-3	RIB-WING CENTER SECTION STA 118								1	
- 21	0523512-3	RIB-WING CENTER SECTION STA 136								1	
- 22	0523513-3	RIB-WING CENTER SECTION STA 154 LH								1	
	0523513-6	RIB-WING CENTER SECTION STA 154 RH								1	
- 23	0523514-3	RIB-WING CENTER SECTION STA 172								1	
- 24	0523515-3	RIB-WING CENTER SECTION STA 190								1	
- 25	0720608-7	RIB-WING CENTER SECTION STA 208								1	
	A6195-8Z-3	NUTPLATE TIN								10	
- 26	NAS395-4-3	NUT TIN A1274-8Z-3								4	
- 27	0523232	RIB-WING ROOT TRAILING EDGE STA 23.625								1	
- 28	0523231	RIB ASSEMBLY-FLAP TRACK STA 39 & 85.875								2	
	0523231-5	BRACKET								1	
- 29	0523233-2	RIB ASSEMBLY-WING TRAILING EDGE STA 57.125								1	
- 30	0523233	RIB ASSEMBLY-WING TRAILING EDGE STA 71.375								1	
- 31	0523233-3	RUB STRIP								1	
- 32	0523230	RIB ASSEMBLY-WING TRAILING EDGE STA 100.5 LH								1	
	0523230-1	RIB ASSEMBLY-WING TRAILING EDGE STA 100.5 RH								1	
	0523230-4	ANGLE LH ONLY								1	
	0523230-5	ANGLE RH ONLY								1	
- 33	0523511-4	RIB-WING TRAILING EDGE STA 118								1	
- 34	0523512-4	RIB-WING TRAILING EDGE STA 136								1	
- 35	0523408	BRACKET-AILERON PULLEY								1	
- 36	0523407-1	BRACKET-FLAP PULLEY								1	
- 37	0523407	BRACKET-FLAP PULLEY								1	
- 38	0523539-2	BRACKET-FLAP BELLCRANK SUPPORT UPPER LH								1	
	0523539-3	BRACKET-FLAP BELLCRANK SUPPORT UPPER RH								1	
- 39	0523539-4	BRACKET-FLAP BELLCRANK SUPPORT LOWER LH								1	
	0523539-5	BRACKET-FLAP BELLCRANK SUPPORT LOWER RH								1	
- 40	0523219-2	CHANNEL-AILERON BELLCRANK UPPER LH								1	
	0523219-3	CHANNEL-AILERON BELLCRANK UPPER RH								1	
	0523219-4	CHANNEL-AILERON BELLCRANK LOWER LH								1	
	0523219-5	CHANNEL-AILERON BELLCRANK LOWER RH								1	
- 41	0720005-1	STIFFENER-TRAILING EDGE								1	
- 42	0523522	STRAP ASSEMBLY-FUEL TANK INBOARD								2	
	0523522-5	PAD-NEOPRENE								1	
	0523522-7	PAD-NEOPRENE								1	
- 43	0523522-1	STRAP ASSEMBLY-FUEL TANK OUTBOARD								2	
- 44	0523008-7	CHANNEL ASSEMBLY-DOOR CATCH								1	
- 45	22NA1K-02	NUTPLATE EN								4	
- 46	0523008-3	STOP ASSEMBLY-DOOR CATCH LH								1	
	0523008-4	STOP ASSEMBLY-DOOR CATCH RH								1	
		ATTACHING PARTS									
- 47	0523008-9	SHIM .063 THICKNESS								AR	
	0523008-10	SHIM .125 THICKNESS								AR	
- 48	AN520-10R7	SCREW USE WITH NO SHIMS								4	
	AN520-10R8	SCREW USE WITH 0523008-9 SHIM								4	
	NAS221-8	SCREW USE WITH 0523008-10 SHIM								4	
	AN520-10R10	SCREW USE WITH BOTH SHIMS								4	
- 49	51043	PLUG BUTTON UC LH ONLY								1	
- 50	0523701-4	TIP ASSEMBLY-WING								1	C
	0523700	TIP ASSEMBLY-WING								1	B
		ATTACHING PARTS									
- 51	5-10212-8-8	SCREW CESSNA STANDARD								10	
	NAS445-5	NUTPLATE								3	B
	A6191-8Z-3	NUTPLATE TIN								2	C
- 53	0721107-1	FAIRING LH								1	C
	0721107-2	FAIRING RH								1	C

NOTE.*THIS ASSEMBLY INCLUDES THE 0523700 METAL WING TIP

NOTE. THIS SPARE INCLUDES ALL ELECTRICAL WIRING NECESSARY FOR INSTALLATION

A---172 SERIAL 28000 THRU 17249544
 B---172 SERIAL 28000 THRU 17248734
 C---172 SERIAL 17248735 THRU 17249544

Wing (Cont)



175 SERIAL 55001 THRU 17557119

Figure 3. Wing Structure Assembly

FIGURE AND INDEX NO.	PART NUMBER	DESCRIPTION	UNITS PER ASSY							USABLE ON CODE
			1	2	3	4	5	6	7	
3-	0523005-13 *	STRUCTURE ASSEMBLY-LEFT WING WHEN EXHAUSTED USE 0523005-203							1	B
	0523005-203	STRUCTURE ASSEMBLY-LEFT WING							1	
	0523005-14 *	STRUCTURE ASSEMBLY-RIGHT WING WHEN EXHAUSTED USE 0523005-202							1	B
	0523005-202	STRUCTURE ASSEMBLY-RIGHT WING							1	
- 1		LEADING EDGE ASSEMBLY-WING SEE FIGURE 4							1	
- 2		SPARS ASSEMBLY-WING SEE FIGURE 5							1	
- 3		SKINS & STRINGERS-WING SEE FIGURE 6							1	
- 4		DELETED NOT PROCURABLE							NP	
- 5		DELETED NOT PROCURABLE							NP	
- 6		DELETED NOT PROCURABLE							NP	
- 7		DELETED NOT PROCURABLE							NP	
- 8	A2980A-3	CLAMP RH ONLY							1	
	A3046A-4	CLAMP LH ONLY							1	
- 9	S-10212-8-8	SCREW CESSNA STANDARD							1	
- 10	NAS446-4-3	NUT TIN A1778-8Z-3							1	
- 11	0523507	RIB ASSEMBLY-LEFT FUEL CELL STA 23.625							1	
	0523507-1	RIB ASSEMBLY-RIGHT FUEL CELL STA 23.625							1	
	NAS680A08	NUTPLATE							1	
	NAS444-4	NUTPLATE LH ONLY							1	
- 12	0523519	MAT SECTION-FUEL TANK LOWER							1	
	0523519-1	MAT SECTION-FUEL TANK LOWER							3	
	0523540-1	PAD-NEOPRENE							3	
- 13	0523003-48	DOUBLER							1	
	0721111-9	RIB ASSEMBLY-STUB STA 57.125 LH							1	
	0721111-10	RIB ASSEMBLY-STUB STA 57.125 RH							1	
	NAS680A08	NUTPLATE							2	
- 14	0523509	RIB-WING CENTER SECTION STA 85.625							2	
- 15	0523510	RIB-WING CENTER SECTION STA 100 LH							1	
	0523510-1	RIB-WING CENTER SECTION STA 100 RH							1	
- 16	0523511-3	RIB-WING CENTER SECTION STA 118							1	
- 17	0523512-3	RIB-WING CENTER SECTION STA 136							1	
- 18	0523513-3	RIB-WING CENTER SECTION STA 154 LH							1	
	0523513-4	RIB-WING CENTER SECTION STA 154 RH							1	
- 19	0523514-3	RIB-WING CENTER SECTION STA 172							1	
- 20	0523515-3	RIB-WING CENTER SECTION STA 190							1	
- 21	0720608-7	RIB-WING CENTER SECTION STA 208							1	
	A6195-8Z-3	NUTPLATE TIN							10	
- 22	NAS395-4-3	NUT TIN A1274-8Z-3							4	
- 23	0523232	RIB-WING ROOT TRAILING EDGE STA 23.625							1	
- 24	0523231	RIB-ASSEMBLY-FLAP TRACK STA 39 & 85.875							2	
	0523231-5	BRACKET							1	
- 25	0523233-2	RIB ASSEMBLY-WING TRAILING EDGE STA 57.125							1	
- 26	0523233	RIB ASSEMBLY-WING TRAILING EDGE STA 71.375							1	
- 27	0523233-3	RUB STRIP							1	
- 28	0523230	RIB ASSEMBLY-WING TRAILING EDGE STA 100.5 LH							1	
	0523230-1	RIB ASSEMBLY-WING TRAILING EDGE STA 100.5 RH							1	
	0523230-4	ANGLE LH ONLY							1	
	0523230-5	ANGLE RH ONLY							1	
- 29	0523511-4	RIB-WING TRAILING EDGE STA 118							1	
- 30	0523512-4	RIB-WING TRAILING EDGE STA 136							1	
- 31	0523408	BRACKET-AILERON PULLEY							1	
- 32	0523407	BRACKET-FLAP PULLEY							1	
- 33	0523407-1	BRACKET-FLAP PULLEY							1	
- 34	0523539-7	BRACKET-FLAP BELLCRANK SUPPORT UPPER LH							1	
	0523539-8	BRACKET-FLAP BELLCRANK SUPPORT UPPER RH							1	
- 35	0523539-9	BRACKET-FLAP BELLCRANK SUPPORT LOWER LH							1	
	0523539-10	BRACKET-FLAP BELLCRANK SUPPORT LOWER RH							1	
- 36	0523219-2	CHANNEL-AILERON BELLCRANK UPPER LH							1	
	0523219-3	CHANNEL-AILERON BELLCRANK UPPER RH							1	
	0523219-4	CHANNEL-AILERON BELLCRANK LOWER LH							1	
	0523219-5	CHANNEL-AILERON BELLCRANK LOWER RH							1	
- 37	0720005-1	STIFFENER-TRAILING EDGE							1	
- 38	0523522-8	STRAP ASSEMBLY-FUEL TANK INBOARD							2	
	0523522-10	PAD-NEOPRENE							1	
- 39	0523522-1	STRAP ASSEMBLY-FUEL TANK OUTBOARD							2	
	0523522-7	PAD-NEOPRENE							1	
- 40	0523008-7	CHANNEL ASSEMBLY-DOOR CATCH							1	
- 41	22NA1K-02	NUTPLATE EN							4	

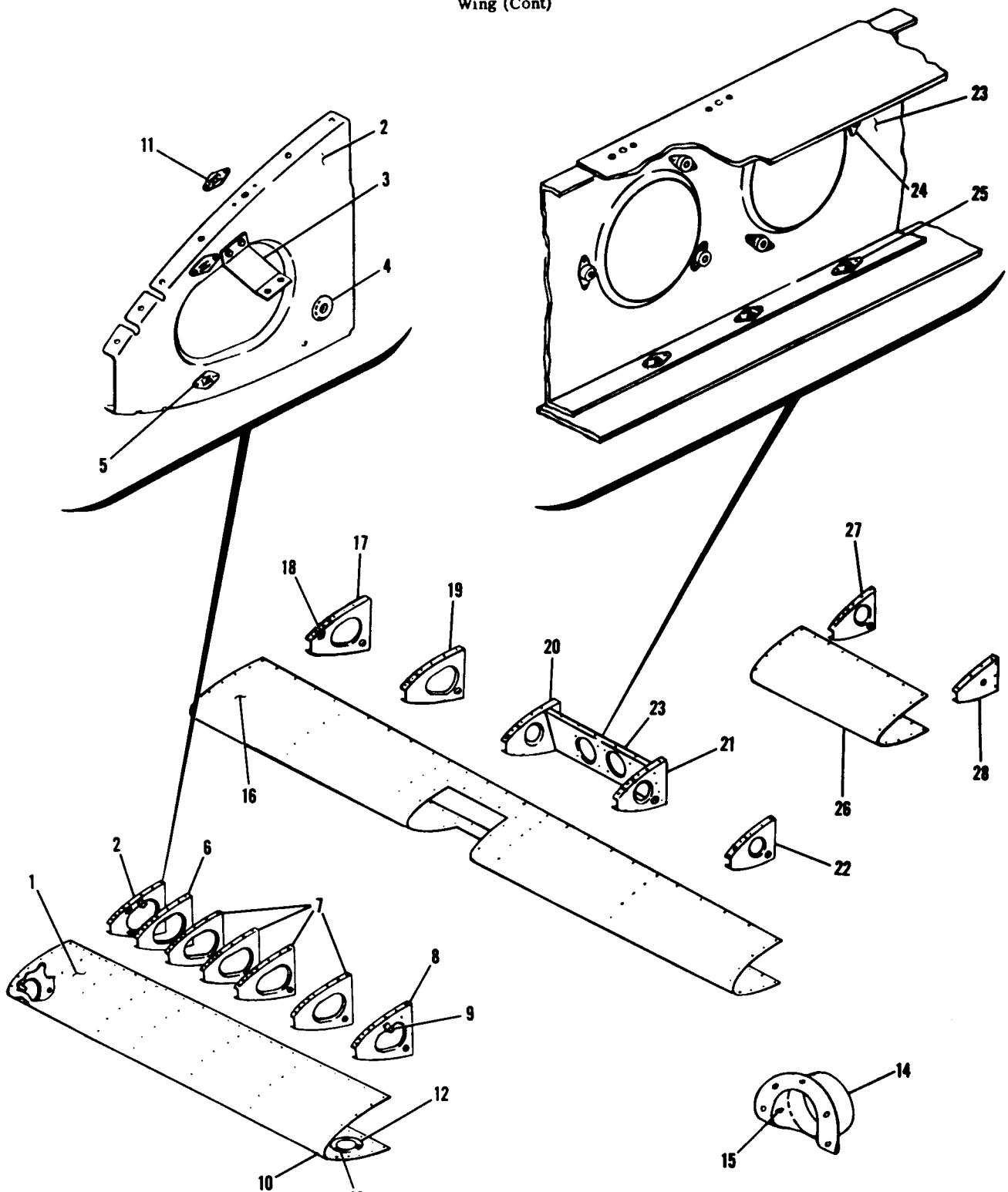
175 SERIAL 55001
THRU 17557119

CONTINUED ON PAGE 10

FIGURE AND INDEX NO.	PART NUMBER	DESCRIPTION							UNITS PER ASSY	USABLE ON CODE
		1	2	3	4	5	6	7		
3- 42	0523008-3 0523008-4	STOP ASSEMBLY-DOOR CATCH LH -----							1	
		STOP ASSEMBLY-DOOR CATCH RH -----							1	
		ATTACHING PARTS								
- 43	0523008-9	SHIM .063 THICKNESS -----							AR	
	0523008-10	SHIM .125 THICKNESS -----							AR	
- 44	AN520-10R7	SCREW USE WITH NO SHIMS -----							4	
	AN520-10R8	SCREW USE WITH 0523008-9 SHIM -----							4	
	NAS221-8	SCREW USE WITH 0523008-10 SHIM -----							4	
	AN520-10R10	SCREW USE WITH BOTH SHIMS -----							4	
		-----*								
- 45	0523505-1	BULKHEAD ASSEMBLY LH -----							1	
	0523505-2	BULKHEAD ASSEMBLY RH -----							1	
- 46	0523508-12	RIB ASSEMBLY-FUEL CELL STA 71.375 LH -----							1	
	0523508-13	RIB ASSEMBLY-FUEL CELL STA 71.375 RH -----							1	
	NAS680A08	NUTPLATE -----							9	
- 47	0523701-4	TIP ASSEMBLY -----							1	C
	0523700	TIP ASSEMBLY -----							1	B
		ATTACHING PARTS								
- 48	S-10212-8-8	SCREW CESSNA STANDARD -----							10	
		-----*								
	NAS445-5	NUTPLATE -----							3	B
	A6191-82-3	NUTPLATE TIN-----							2	C
- 49	0721107-1	FAIRING LH -----							1	C
	0721107-2	FAIRING RH -----							1	C
<p>NOTE. * THIS ASSEMBLY INCLUDES THE 0523700 METAL WING TIP</p> <p>NOTE. THIS SPARE INCLUDES ALL ELECTRICAL WIRING NECESSARY FOR INSTALLATION</p> <p>A---175 SERIAL 55001 THRU 17557119 B---175 SERIAL 55001 THRU 17557002 C---175 SERIAL 17557003 THRU 17557119</p>										

This page intentionally left blank.

Wing (Cont)

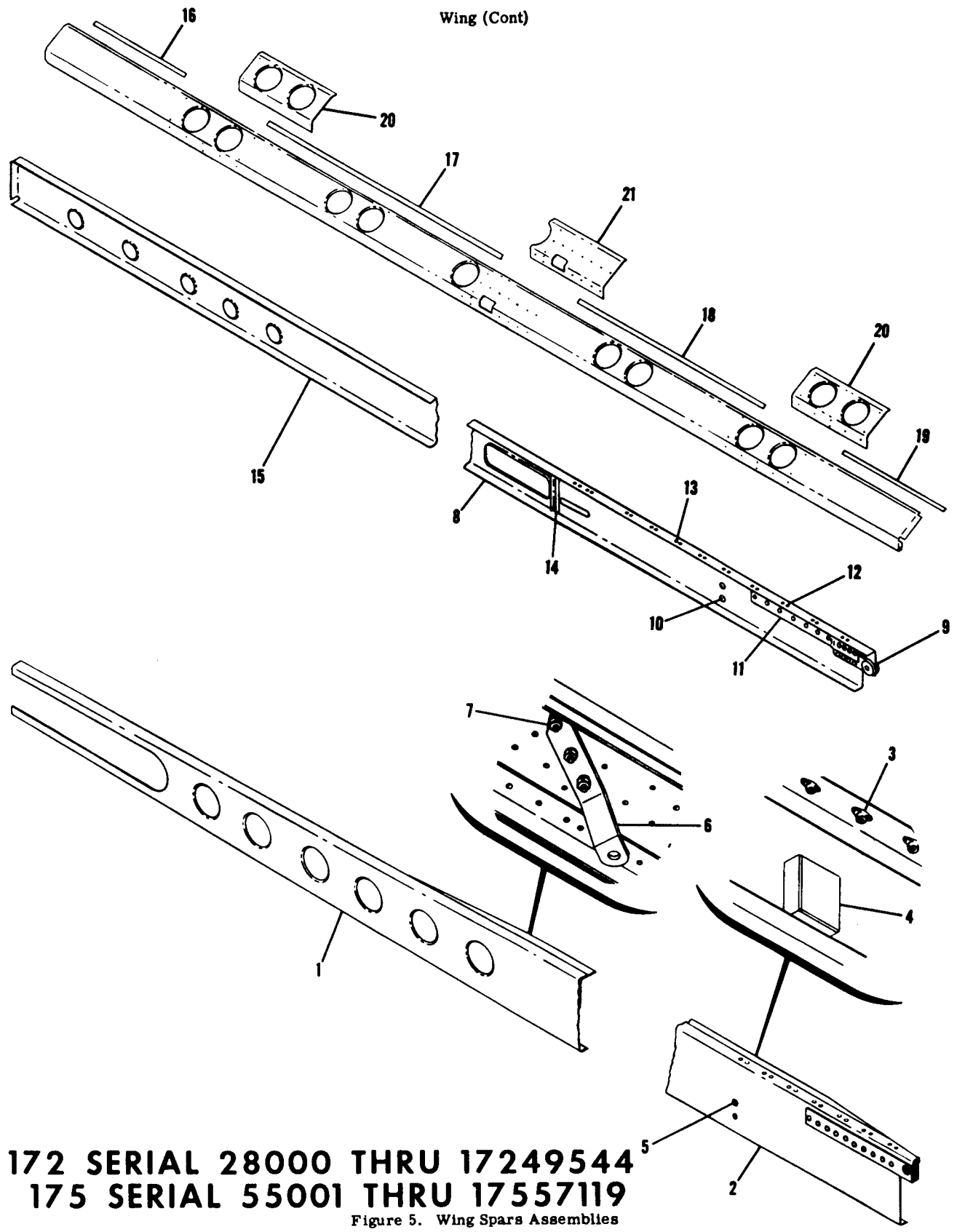


172 SERIAL 28000 THRU 17249544
175 SERIAL 55001 THRU 17557119

Figure 4. Wing Leading Edge Assembly

FIGURE AND INDEX NO.	PART NUMBER	DESCRIPTION	UNITS PER ASSY	USABLE ON CODE
		1 2 3 4 5 6 7		
4-		LEADING EDGE ASSEMBLY-WING	NP	
	0523005-54	LEADING EDGE ASSEMBLY-INBOARD LH STA 23.625 TO 100	1	
	0523005-55	LEADING EDGE ASSEMBLY-INBOARD RH STA 23.625 TO 100	1	
- 1	0523005-21	SKIN-STA 23.625 TO 100 LH	1	
	0523005-22	SKIN-STA 23.625 TO 100 RH	1	
- 2	0523107-2	RIB ASSEMBLY-NOSE STA 23.625 LH	1	
	0523107-3	RIB ASSEMBLY-NOSE STA 23.625 RH	1	
- 3	0422291	BRACKET-LH ONLY	1	
- 4	MS20230A2	GROMMET	1	
- 5	NAS444-5	NUTPLATE TIN A6195-8Z-3	2	
- 6	0523107	RIB ASSEMBLY-NOSE STA 32.000	1	
	MS20230A2	GROMMET	1	
- 7	0523108	RIB ASSEMBLY-NOSE STA 40.375 TO 71.375	4	
	MS20230A2	GROMMET	1	
- 8	0523111-1	RIB ASSEMBLY-NOSE STA 85.625 LH	1	
	0523111-2	RIB ASSEMBLY-NOSE STA 85.625 RH	1	
- 9	0422292	BRACKET-LH ONLY	1	
	MS20230A2	GROMMET	1	
- 10	MS35489-6	GROMMET LH ONLY	1	
- 11	NAS444-5	NUTPLATE TIN A6195-8Z-3	2	
- 12	S-237-2	DOUBLER-INSPECTION OPENING CESSNA STANDARD	2	
- 13	NAS395-14-3	NUT TIN A1274-8Z-3	6	
- 14	0413157	SCOOP-CABIN AIR VENT	1	
- 15	NAS446-4-3	NUTPLATE TIN A1778-8Z-3	1	
	0523005-56	LEADING EDGE ASSEMBLY-CENTER LH STA 100 TO 190	1	
	0523005-57	LEADING EDGE ASSEMBLY-CENTER RH STA 100 TO 190	1	
- 16	0523003-10	SKIN-STA 100 TO 190 LH	1	
	0523003-11	SKIN-STA 100 TO 190 RH	1	
- 17	0523110-1	RIB ASSEMBLY-NOSE STA 100 LH	1	
	0523110-2	RIB ASSEMBLY-NOSE STA 100 RH	1	
- 18	NAS444-1	NUTPLATE TIN A6191-6Z-3 LH ONLY	1	
	MS20230A2	GROMMET	1	
- 19	0523542-1	RIB ASSEMBLY-NOSE STA 118	1	
	MS20230A2	GROMMET	1	
- 20	0523512-5	RIB ASSEMBLY-NOSE STA 136	1	
	MS20230A2	GROMMET	1	
- 21	0523513-4	RIB ASSEMBLY-NOSE STA 154	1	
	MS20230A2	GROMMET	1	
- 22	0523514-4	RIB ASSEMBLY-NOSE STA 172	1	
	MS20230A2	GROMMET	1	
- 23	0523106	BRACKET ASSEMBLY-LANDING LIGHT LH ONLY	1	
- 24	NAS680A08	NUTPLATE	6	
- 25	NAS444-5	NUTPLATE TIN A6195-8Z-3 LH ONLY	18	
	0523005-52	LEADING EDGE ASSEMBLY-OUTBOARD LH	1	
	0523005-53	LEADING EDGE ASSEMBLY-OUTBOARD RH	1	
- 26	0523003-56	SKIN-STA 190 TO 208 LH	1	
	0523003-57	SKIN-STA 190 TO 208 RH	1	
- 27	0523515-4	RIB ASSEMBLY-NOSE STA 190	1	
	MS20230A2	GROMMET	1	
- 28	0720608-2	RIB ASSEMBLY-NOSE STA 208	1	
	MS20230A2	GROMMET	1	

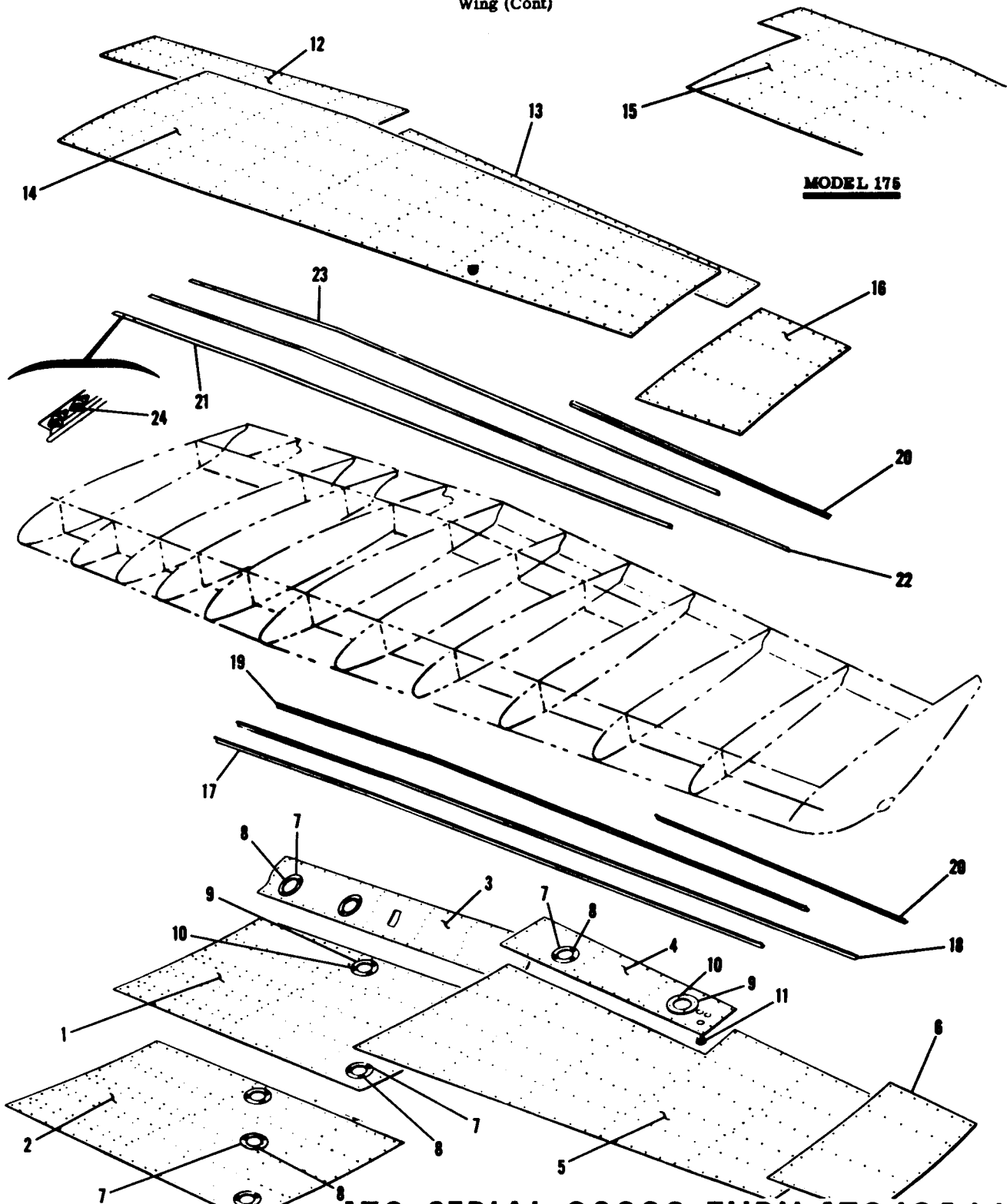
Wing (Cont)



172 SERIAL 28000 THRU 17249544
175 SERIAL 55001 THRU 17557119
Figure 5. Wing Spars Assemblies

FIGURE AND INDEX NO.	PART NUMBER	DESCRIPTION	UNITS PER ASSY	USABLE ON CODE
		1 2 3 4 5 6 7		
5-		SPARS ASSEMBLIES-WING -----	MP	
	0523301-1	SPAR ASSEMBLY-WING FRONT LH -----	1	B
	0523301-2	SPAR ASSEMBLY-WING FRONT RH -----	1	B
	0523301-3	SPAR ASSEMBLY-WING FRONT LH -----	1	C
	0523301-4	SPAR ASSEMBLY-WING FRONT RH -----	1	C
- 1	0523317	CHANNEL ASSEMBLY-SPAR OUTBOARD LH -----	1	
	0523317-1	CHANNEL ASSEMBLY-SPAR OUTBOARD RH -----	1	
- 2	0523322-1	CHANNEL ASSEMBLY-SPAR INBOARD LH -----	1	
	0523322-2	CHANNEL ASSEMBLY-SPAR INBOARD RH -----	1	
- 3	NAS680A08	NUTPLATE -----	19	
- 4	0523524	SPACER-FUEL TANK -----	2	C
	0523524	SPACER-FUEL TANK -----	1	B
		ATTACHING PARTS		
- 5	S-1021A-10-10	SCREW CESSNA STANDARD -----	2	
		THRU 17249544		
- 6	0523306	FITTING-STRUT ATTACHMENT -----	1	
		ATTACHING PARTS		
		175 SERIAL -----		
- 7	AN5-7A	BOLT -----	3	
	MS20364-524C	NUT -----	3	
	AN960-516	WASHER -----	3	
		55001 THRU 17557119		
	0523400-14	SPAR ASSEMBLY-WING REAR LH -----	1	
	0523400-15	SPAR ASSEMBLY-WING REAR RH -----	1	
- 8	0523400-50	SEGMENT ASSEMBLY-REAR SPAR INBOARD STA 23.625 TO 100 LH -----	1	
	0523400-51	SEGMENT ASSEMBLY-REAR SPAR INBOARD STA 23.625 TO 100 RH -----	1	
- 9	0422229-3	FITTING-WING SPAR REINFORCEMENT -----	2	
	0523524	SPACER-FUEL TANK -----	2	
		ATTACHING PARTS		
- 10	S-1021A-10-10	SCREW CESSNA STANDARD -----	2	
- 11	0523400-20	ANGLE-REINFORCEMENT LH -----	1	
	0523400-21	ANGLE-REINFORCEMENT RH -----	1	
- 12	NAS680A08	NUTPLATE -----	12	
- 13	NAS450-85	NUTPLATE -----	1	
- 14	0523409	CHANNEL-REINFORCEMENT -----	1	
- 15	0523406	SEGMENT-REAR SPAR OUTBOARD STA 100 TO 154 LH -----	1	
	0523406-1	SEGMENT-REAR SPAR OUTBOARD STA 100 TO 154 RH -----	1	
	0523005-50	SPAR ASSEMBLY-OUTBOARD AUXILIARY LH -----	1	
	0523005-51	SPAR ASSEMBLY-OUTBOARD AUXILIARY RH -----	1	
- 16	0523813-3	FILLER-TRAILING EDGE -----	1	
- 17	0523813-2	FILLER-TRAILING EDGE -----	1	
- 18	0523813-4	FILLER-TRAILING EDGE -----	1	
- 19	0523813-5	FILLER-TRAILING EDGE -----	1	
- 20	0523216	REINFORCEMENT -----	2	
- 21	0523215	REINFORCEMENT LH -----	1	
	0523215-1	REINFORCEMENT RH -----	1	
		B---172 SERIAL 28000 THRU 17249544		
		C---175 SERIAL 55001 THRU 17557119		

Wing (Cont)



172 SERIAL 28000 THRU 17249544
175 SERIAL 55001 THRU 17557119

Figure 6. Skins and Stringers Installation

FIGURE AND INDEX NO.	PART NUMBER	DESCRIPTION	UNITS PER ASSY	USABLE ON CODE
		1 2 3 4 5 6 7		
6-		SKINS & STRINGERS INSTALLATION LH ----- SKINS & STRINGERS INSTALLATION RH -----	MP MP	
- 1	0523007-44	SKIN-LOWER CENTER SECTION STA 23.625 TO 100 -----	1	
- 2	0523005-59	SKIN-LOWER CENTER SECTION STA 23.625 TO 100 -----	1	B C
- 3	0523007-10	SKIN-LOWER TRAILING EDGE STA 22.875 TO 100 LH -----	1	
	0523007-9	SKIN-LOWER TRAILING EDGE STA 22.875 TO 100 RH -----	1	
- 4	0523003-79	SKIN-LOWER TRAILING EDGE STA 100 TO 154 -----	1	
- 5	0523003-74	SKIN-LOWER CENTER SECTION STA 100 TO 190 -----	1	
- 6	0523003-83	SKIN-LOWER CENTER SECTION STA 190 TO 208 -----	1	
- 7	S-237	DOUBLER-INSPECTION OPENING----- CESSNA STANDARD -----	4	B
	S-237	DOUBLER-INSPECTION OPENING----- CESSNA STANDARD -----	5	C
- 8	NAS395-14-3	NUT TIN A1274-8Z-3 -----	12	B
	NAS395-14-3	NUT TIN A1274-8Z-3 -----	15	C
- 9	S-330	DOUBLER-INSPECTION OPENING----- CESSNA STANDARD -----	2	
- 10	NAS395-12-3	NUT TIN A1786-8Z-3 -----	8	
- 11	NAS451-56	PLUG BUTTON-----UC48155 -----	1	
- 12	0523007-42	SKIN-UPPER TRAILING EDGE STA 22.875 TO 100 -----	1	
- 13	0523003-80	SKIN-UPPER TRAILING EDGE STA 100 TO 190 -----	1	
- 14	0523007-40	SKIN-UPPER CENTER SECTION STA 57.125 TO 190 -----	1	B
- 15	0523007-45	SKIN-UPPER CENTER SECTION STA 57.000 & 70.875 TO 190 -----	1	C
- 16	0523003-81	SKIN-UPPER CENTER SECTION STA 190 TO 208 -----	1	
- 17	0523541-7	STRINGER-LOWER FORWARD LH-----	1	B
	0523541-8	STRINGER-LOWER FORWARD RH-----	1	B
	0520009-7	STRINGER-LOWER FORWARD LH-----	1	C
	0520009-8	STRINGER-LOWER FORWARD RH-----	1	C
- 18	0523541-9	STRINGER-LOWER CENTER LH-----	1	B
	0523541-10	STRINGER-LOWER CENTER RH-----	1	B
	0520009-9	STRINGER-LOWER CENTER LH-----	1	C
	0520009-10	STRINGER-LOWER CENTER RH-----	1	C
- 19	0523541-11	STRINGER-LOWER AFT LH-----	1	B
	0523541-12	STRINGER-LOWER AFT RH-----	1	B
	0520009-11	STRINGER-LOWER AFT LH-----	1	C
	0520009-12	STRINGER-LOWER AFT RH-----	1	C
- 20	0523003-40	STRINGER-AFT OUTBOARD-----	2	
- 21	0523541-1	STRINGER ASSEMBLY-UPPER FORWARD LH-----	1	B
	0523541-2	STRINGER ASSEMBLY-UPPER FORWARD RH-----	1	B
	0520009-1	STRINGER ASSEMBLY-UPPER FORWARD LH-----	1	C
	0520009-2	STRINGER ASSEMBLY-UPPER FORWARD RH-----	1	C
- 22	0523541-3	STRINGER ASSEMBLY-UPPER CENTER LH-----	1	B
	0523541-4	STRINGER ASSEMBLY-UPPER CENTER RH-----	1	B
	0520009-3	STRINGER ASSEMBLY-UPPER CENTER LH-----	1	C
	0520009-4	STRINGER ASSEMBLY-UPPER CENTER RH-----	1	C
- 23	0523541-5	STRINGER ASSEMBLY-UPPER AFT LH-----	1	B
	0523541-6	STRINGER ASSEMBLY-UPPER AFT RH-----	1	B
	0520009-5	STRINGER ASSEMBLY-UPPER AFT LH-----	1	C
	0520009-6	STRINGER ASSEMBLY-UPPER AFT RH-----	1	C
- 24	NAS680A08	NUT PLATE-----	2	

172 SERIAL 28000
THRU 17249544

175 SERIAL 55001
THRU 17557119

B---172 SERIAL 28000 THRU 17249544
C---175 SERIAL 55001 THRU 17557119

Wing (Cont)

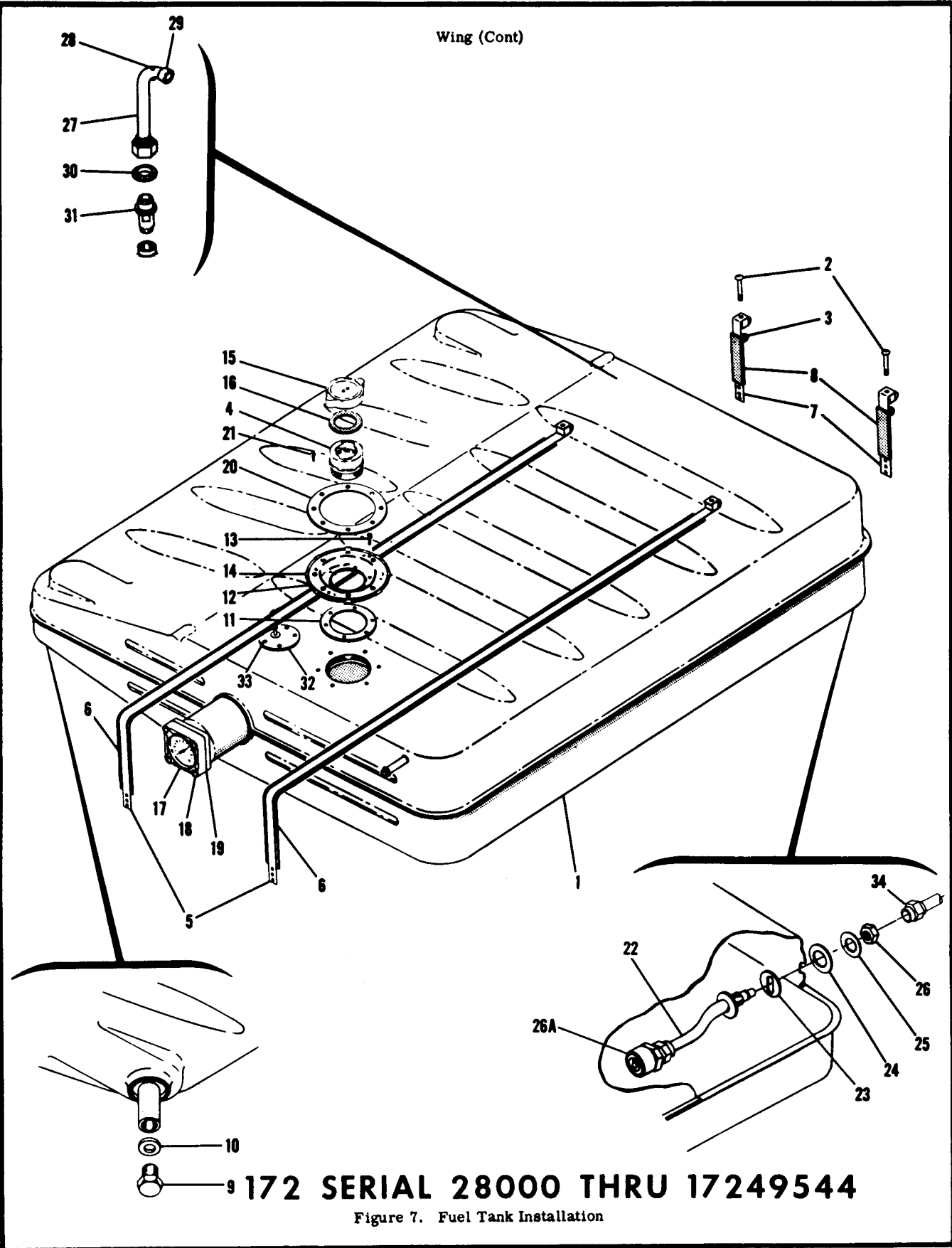




FIGURE AND INDEX NO.	PART NUMBER	DESCRIPTION	UNITS PER ASSY	USABLE ON CODE
7-		TANK INSTALLATION-FUEL LH -----	NP	A
		TANK INSTALLATION-FUEL RH -----	NP	A
- 1	0592300-3 *	TANK ASSEMBLY-FUEL LH--	1	C
	0592300-5	TANK ASSEMBLY-FUEL RH--	1	C
	0592300-7	TANK ASSEMBLY-FUEL RH----	1	D
	0592300-6	TANK ASSEMBLY-FUEL LH----	1	D
		ATTACHING PARTS		
- 2	AN520-10R36	SCREW -----	2	
- 3	MS20365-1032C	NUT -----	2	
		-----*		
- 4	0311240-17	FILLER NECK-FUEL TANK-----	1	
- 5	0523522	STRAP ASSEMBLY-FUEL TANK INBOARD -----	2	
- 6	0523522-5	PAD-NEOPRENE -----	1	
- 7	0523522-1	STRAP ASSEMBLY-FUEL TANK OUTBOARD -----	2	
- 8	0523522-7	PAD-NEOPRENE -----	1	
- 9	0523520-9	PLUG-DRAIN -----	1	
	0526001-2	VALVE-FUEL DRAIN-----	1	
- 10	AN902B4	GASKET-----	1	
- 11	0523532	GASKET-FUEL TANK ADAPTER -----	2	
- 12	0523529-1	ADAPTER ASSEMBLY-FUEL TANK-----	1	
		ATTACHING PARTS		
- 13	AN515-10R10	SCREW -----	6	
		-----*		
- 14	NAS488-7-3	NUT -----	8	
- 15	0311360-4	CAP ASSEMBLY-FUEL TANK -----	1	
- 16	0311360-5	GASKET-CAP -----	1	
- 17	0422006-2	GAGE-FUEL -----	1	C
		ATTACHING PARTS		
- 18	AN520-416-10	SCREW -----	4	
	1114-5	WASHER-----SLK -----	4	
		-----*		
- 19	3175-15	GASKET RST-----	1	
- 20	0523531	GASKET-ADAPTER ASSEMBLY -----	1	
- 21	S-10212-8-10	SCREW CESSNA STANDARD -----	8	
- 22	0523552-2	WELD ASSEMBLY-FUEL VENT LINE LH TANK ONLY-----	1	
		ATTACHING PARTS		
- 23	0523554-1	GASKET-----	1	
- 24	0523554-2	GASKET-----	1	
- 25	0523556-1	WASHER-----	1	
- 26	AN924-6D	NUT -----	1	
		-----*		
-26A	0716124-5	VALVE ASSEMBLY LH TANK ONLY -----	1	
- 27	0523545	VENT ASSEMBLY-FUEL TANK -----	1	B
- 28	MS24665-134	PIN-COTTER -----	1	
	0716119-5	BALL-----	1	
	0716119-6	WASHER -----	1	
- 29	0716119-4	BOOT-----	1	
- 30	MS35489-16	GROMMET -----	1	
- 31	0523544	FITTING-FUEL VENT -----	1	
- 32	0523557-1	TRANSMITTER-FUEL GAGE-----	1	D
		ATTACHING PARTS		
- 33	AN520-10R10	SCREW -----	5	D
	AN960D10L	WASHER-----	5	D
	S-350	WASHER-----CESSNA STANDARD-----	5	D
	0413247	STRAP-GROUND -----	1	D
	0726001-7	GASKET-----	1	D
		-----*		

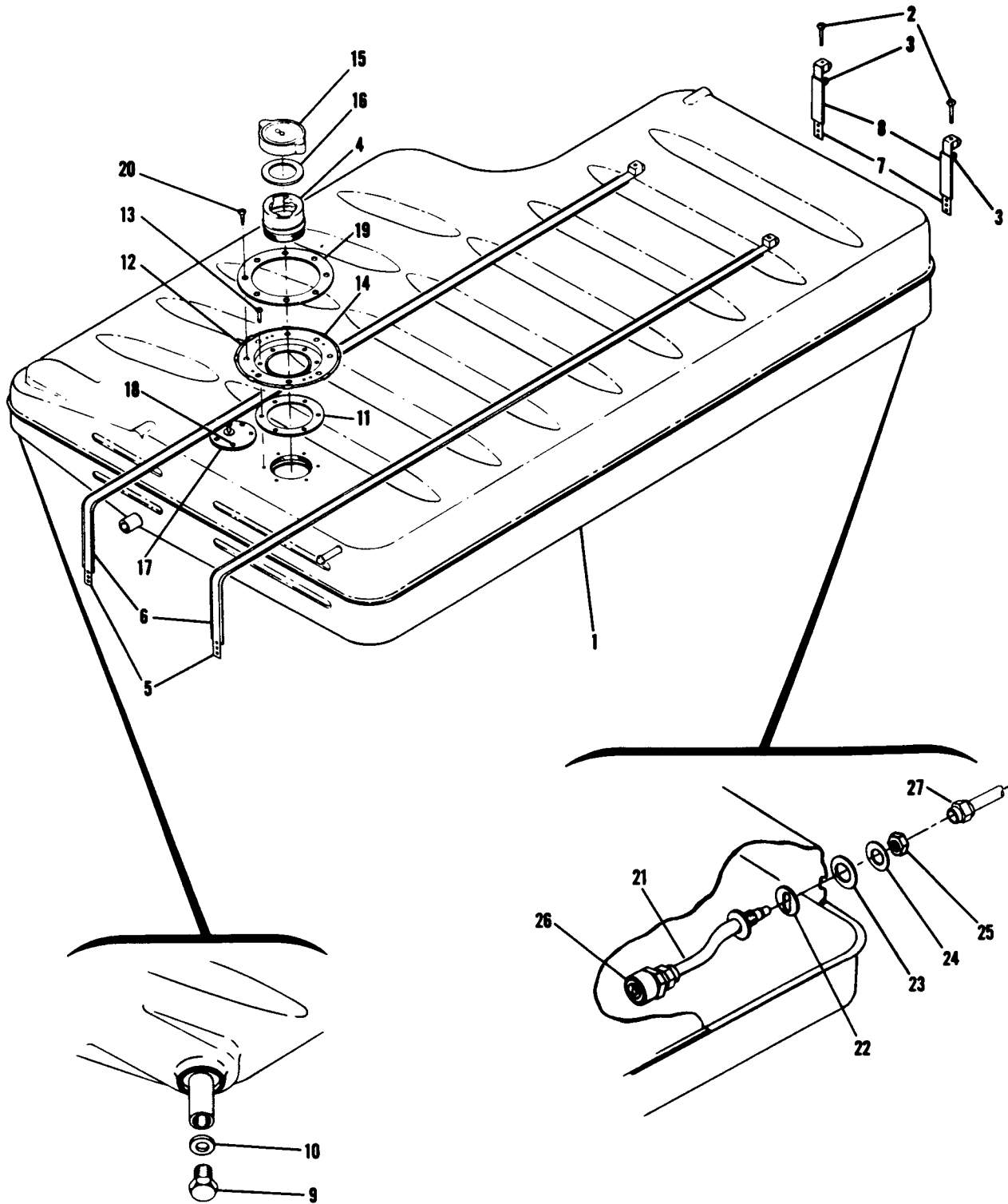
**172 SERIAL 28000
THRU 17249544**

CONTINUED ON PAGE 20

FIGURE AND INDEX NO.	PART NUMBER	DESCRIPTION							UNITS PER ASSY	USABLE ON CODE
		1	2	3	4	5	6	7		
7- 34	0523555-1	#	VENT LINE ASSEMBLY						1	E
	0523559-1	#	VENT LINE ASSEMBLY						1	F
	0523559-8	**	VENT LINE ASSEMBLY						1	G
<p>*NOTE. WHEN ORDERING THIS PART FOR AIRCRAFT SERIALS 28000 THRU 28918 INCLUSIVE ALSO ORDER SK 172-7</p> <p>NOTE. # WHEN ORDERING THIS PART FOR AIRPLANES PRIOR TO SERIAL 17248735 ALSO ORDER PART MARKED ** ON THIS FIGURE & PARTS MARKED # ON FIG. 79.</p> <p>NOTE. # IF NEW WING HAS BEEN INSTALLED AFTER DECEMBER 1, 1959 ON AIRCRAFT PRIOR TO 172 SERIAL 46755, ORDER 0523559-3, AND ON ALL 172 AIRCRAFT MODIFIED TO USE 3/8 IN VENT LINE, ORDER 0523559-8 VENT LINE ASSEMBLY.</p> <p>A---172 SERIAL 28000 THRU 17249544 B---172 SERIAL 28000 THRU 29819 C---172 SERIAL 28000 THRU 36965 D---172 SERIAL 36966 THRU 17249544 E---172 SERIAL 29820 THRU 46754 F---172 SERIAL 46755 THRU 17248734 G---172 SERIAL 17248735 THRU 17249544</p>										

This page intentionally left blank.

Wing (Cont)



175 SERIAL 55001 THRU 17557119

Figure 8. Fuel Tank Installation

FIGURE AND INDEX NO.	PART NUMBER	DESCRIPTION	UNITS PER ASSY	USABLE ON CODE
8-		TANK INSTALLATION-FUEL LH ----- TANK INSTALLATION-FUEL RH -----	NP NP	A A
- 1	0592300-2 0592300-4	TANK ASSEMBLY-FUEL LH --- 175 SERIAL 55001 TANK ASSEMBLY-FUEL RH --- THRU 17557119	1 1	
- 2	AN520-10R36	ATTACHING PARTS	2	
- 3	MS20365-1032C	SCREW ----- NUT -----	2	
- 4	0311240-17	FILLER NECK-FUEL TANK-----	1	
- 5	0523522-8	STRAP ASSEMBLY-FUEL TANK INBOARD -----	2	
- 6	0523522-10	PAD-NEOPRENE -----	1	
- 7	0523522-1	STRAP ASSEMBLY-FUEL TANK OUTBOARD -----	1	
- 8	0523522-7	PAD-NEOPRENE -----	1	
- 9	0523520-9	PLUG-DRAIN -----	2	
	0526001-2	VALVE-FUEL DRAIN-----	1	
- 10	AN902B4	GASKET-DRAIN PLUG -----	2	
- 11	0523532	GASKET-FUEL TANK ADAPTER -----	2	
- 12	0523529-1	ADAPTER ASSEMBLY-FUEL TANK----- ATTACHING PARTS	1	
- 13	AN520-10R10	SCREW -----	6	
- 14	NAS488-7-3	NUT -----	8	
- 15	0311360-4	CAP ASSEMBLY-FUEL TANK -----	1	
- 16	0311360-5	GASKET-CAP -----	1	
- 17	0523557-1	TRANSMITTER-FUEL GAGE----- ATTACHING PARTS	1	
- 18	AN520-10R10 S-350	SCREW -----	5	
	0726001-7	WASHER-----CESSNA STANDARD-----	5	
	0413247	GASKET-----	2	
		STRAP-GROUND -----	1	
- 19	0523531	GASKET-----	1	
- 20	S-1021Z-8-10	SCREW CESSNA STANDARD -----	8	
- 21	0523552-2	WELD ASSEMBLY-FUEL VENT LINE LH TANK ONLY----- ATTACHING PARTS	1	
- 22	0523554-1	GASKET-----	1	
- 23	0523554-2	GASKET-----	1	
- 24	0523556-1	WASHER-----	1	
- 25	AN924-6D	NUT -----	1	
- 26	0716124-2	VALVE ASSEMBLY LH TANK ONLY -----	1	
- 27	0523555-3	VENT LINE ASSEMBLY 1/4 IN. LINE-----	1	B
	0523559-1	VENT LINE ASSEMBLY 1/4 IN. LINE-----	1	C
	0523559-6	VENT LINE ASSEMBLY 3/8 IN. LINE-----	1	D

NOTE. □ WHEN ORDERING THIS PART FOR AIRPLANES PRIOR TO SERIAL 17557003 ALSO ORDER PART MARKED ** ON THIS FIGURE & PARTS MARKED # ON FIG. 79.

NOTE. * IF NEW WING HAS BEEN INSTALLED AFTER DECEMBER 1, 1959 ON AIRCRAFT PRIOR TO 175 SERIAL 56239, ORDER 0523559-1, AND ON ALL 175 AIRCRAFT MODIFIED TO USE 3/8 IN VENT LINE, ORDER 0523559-6 VENT LINE ASSEMBLY.

A---175 SERIAL 55001 THRU 17557119
 B---175 SERIAL 55001 THRU 56238
 C---175 SERIAL 56239 THRU 17557002
 D---175 SERIAL 17557003 THRU 17557119

Wing (Cont)

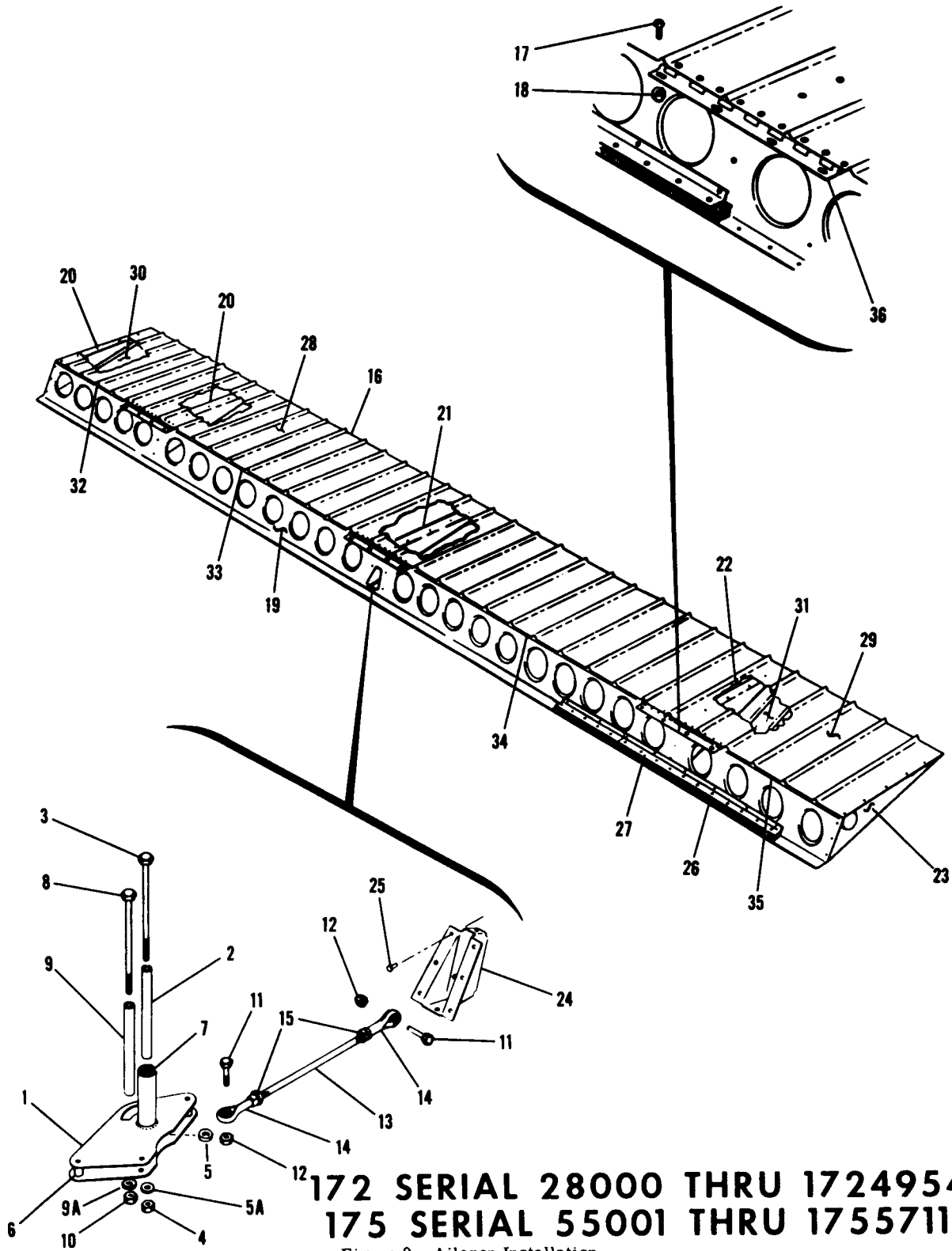


Figure 9. Aileron Installation



FIGURE AND INDEX NO.	PART NUMBER	DESCRIPTION	UNITS PER ASSY	USABLE ON CODE
		1 2 3 4 5 6 7		
9-		AILERON INSTALLATION	NP	
- 1	0523223	BELLCRANK ASSEMBLY-AILERON LH	1	
	0523223-1	BELLCRANK ASSEMBLY-AILERON RH	1	
		ATTACHING PARTS		
- 2	0523221	BUSHING	1	
- 3	AN4-42A	BOLT	1	
- 4	MS20365-428C	NUT	1	
- 5	0522629	WASHER	1	
- 5A	AN960-416	WASHER	2	
		-----*		
- 6	0422280	BUSHING	2	
- 7	B610	BEARING TOR	2	
	B610-P	BEARING TOR ALTERNATE	2	
	B610-OH	BEARING TOR ALTERNATE	2	
- 8	AN4-42A	BOLT-BELLCRANK STOP	1	
- 9	0523222	BUSHING-BELLCRANK STOP	1	
- 9A	AN960-416	WASHER	2	
- 10	MS20365-428C	NUT-BELLCRANK STOP	1	
	0523218	ROD ASSEMBLY-AILERON PUSH-PULL	2	
		ATTACHING PARTS		
- 11	AN3-7A	BOLT	2	
- 12	MS20365-1032C	NUT	2	
-12A	AN960-10	WASHER	1	
		-----*		
- 13	0523218-2	ROD-AILERON PUSH-PULL	1	
- 14	S-1106-3	ROD END CESSNA STANDARD	2	
- 15	AN316-4R	NUT-CHECK	2	
- 16	0523800	AILERON ASSEMBLY LEFT WING	1	
	0523800-1	AILERON ASSEMBLY RIGHT WING	1	
		ATTACHING PARTS		
- 17	NAS221-8	SCREW	12	
- 18	MS20365-1032C	NUT	12	
		-----*		
- 19	0523806	SPAR-AILERON LH	1	
	0523806-1	SPAR-AILERON RH	1	
- 20	0523808	RIB NO.1-AILERON LH	2	
	0523808-2	RIB NO.1-AILERON RH	2	
- 21	0523809	RIB NO.2-AILERON LH	1	
	0523809-1	RIB NO.2-AILERON RH	1	
- 22	0523810	RIB NO.3-AILERON	1	
- 23	0523811-1	RIB NO.4-AILERON LH	1	
	0523811	RIB NO.4-AILERON RH	1	
- 24	0523812-2	BRACKET-CONTROL OUTBOARD	1	
	0523812-3	BRACKET-CONTROL INBOARD	1	
		ATTACHING PARTS		
- 25	CR163C-4-8	RIVET CY	1	
		-----*		
- 26	0724115-2	WEIGHT-AILERON BALANCE	3	
		ATTACHING PARTS		
- 27	0523814-6	BRACKET-AILERON WEIGHT	1	
		-----*		
- 28	0523800-6	SKIN-UPPER INBOARD LH	1	
	0523800-7	SKIN-UPPER INBOARD RH	1	
- 29	0523800-8	SKIN-UPPER OUTBOARD LH	1	
	0523800-9	SKIN-UPPER OUTBOARD RH	1	
- 30	0523800-10	SKIN-LOWER INBOARD LH	1	
	0523800-11	SKIN-LOWER INBOARD RH	1	
- 31	0523800-12	SKIN-LOWER OUTBOARD LH	1	
	0523800-13	SKIN-LOWER OUTBOARD RH	1	
- 32	0523813-1	SPACER	1	
- 33	0523813-8	SPACER	1	
- 34	0523813-6	SPACER	1	
- 35	0523813-7	SPACER	1	
- 36	0523807	HINGE ASSEMBLY-AILERON	3	

Wing (Cont)

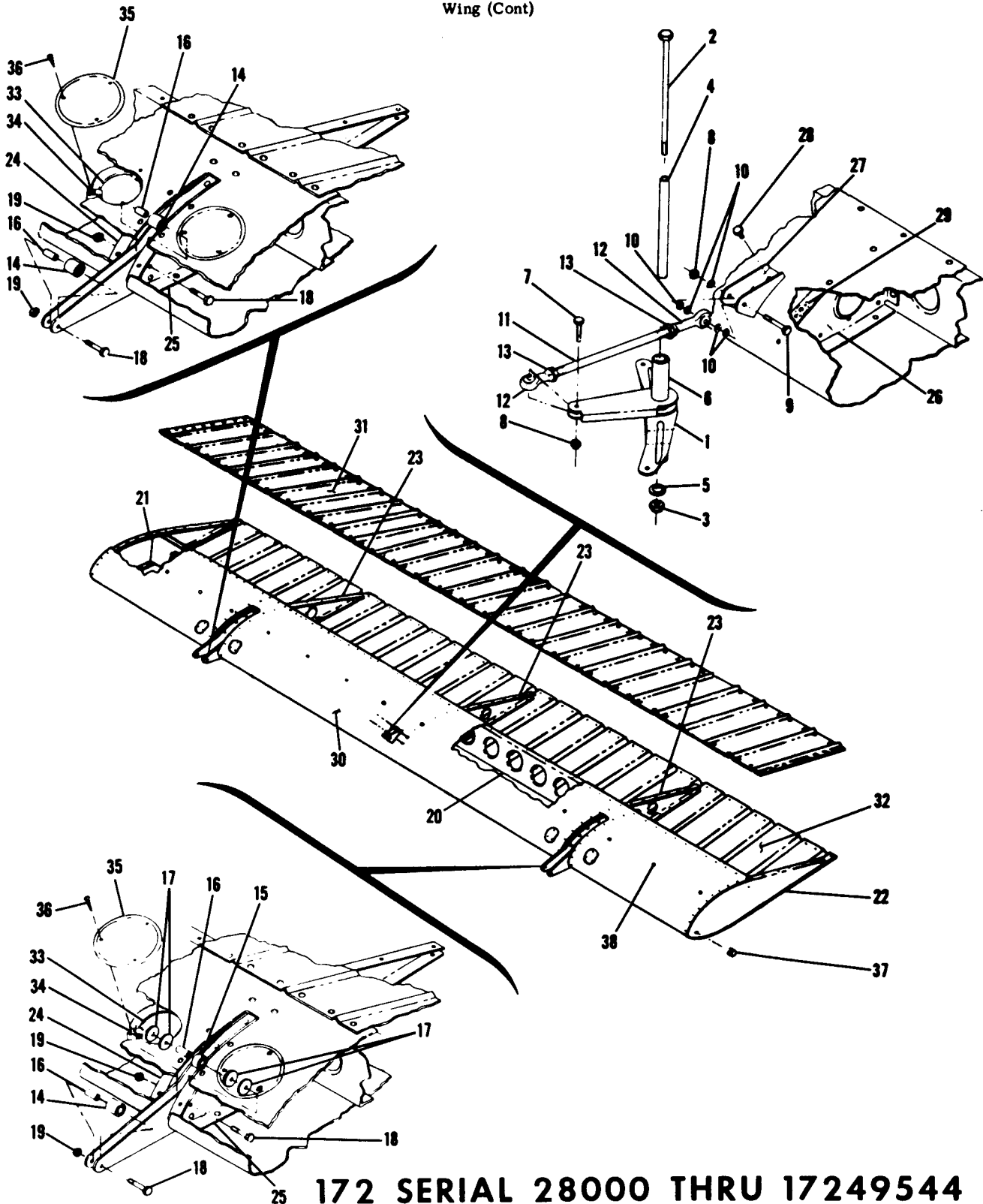


Figure 10. Flap Installation



FIGURE AND INDEX NO.	PART NUMBER	DESCRIPTION	UNITS PER ASSY	USABLE ON CODE
10-		FLAP INSTALLATION -----	NP	
- 1	0523535	BELLCRANK ASSEMBLY-LEFT FLAP -----	1	
	0523535-1	BELLCRANK ASSEMBLY-RIGHT FLAP -----	1	
		ATTACHING PARTS -----		
- 2	AN4-60A	BOLT -----	1	
- 3	MS20365-428C	NUT -----	1	
- 4	0523536	BUSHING -----	1	
- 5	0522629	WASHER -----	1	

- 6	B610	BEARING TOR -----	2	
	0523537	ROD ASSEMBLY-FLAP PUSH-PULL -----	2	
		ATTACHING PARTS -----		
- 7	AN3-6A	BOLT -----	1	
- 8	MS20365-1032C	NUT -----	2	
- 9	AN3-11A	BOLT -----	1	
- 10	AN960-10	WASHER -----	5	

- 11	0523537-2	ROD-FLAP PUSH-PULL -----	1	
- 12	S-1106-3	ROD END CESSNA STANDARD -----	2	
- 13	AN316-4R	NUT-CHECK -----	2	
	0523901	FLAP ASSEMBLY-LEFT WING -----	1	
	0523901-1	FLAP ASSEMBLY-RIGHT WING -----	1	
		ATTACHING PARTS -----		
- 14	0523921	ROLLER ASSEMBLY-FLAP ATTACHMENT -----	3	
- 15	0523920	ROLLER ASSEMBLY-FLAP ATTACHMENT -----	1	
- 16	0523919	BUSHING-FLAP ATTACHMENT ROLLER -----	4	
- 17	0523922	SPACER-FLAP ATTACHMENT OUTBOARD ONLY -----	4	
- 18	AN3-10A	BOLT -----	4	
- 19	MS20365-1032C	NUT -----	4	

- 20	0523911	SPAR-FLAP-----LH ONLY -----	1	
	0523911-1	SPAR-FLAP-----RH ONLY -----	1	
- 21	0523912	RIB-FLAP INBOARD -----	1	
- 22	0523912-1	RIB-FLAP OUTBOARD -----	1	
- 23	0523923	RIB-FLAP TRAILING EDGE -----	3	
- 24	0523901-9	RIB ASSEMBLY-FLAP SUPPORT ARM RIGHT -----	2	
- 25	0523901-8	RIB ASSEMBLY-FLAP SUPPORT ARM LEFT -----	2	
- 26	0523914	RIB ASSEMBLY-FLAP LEADING EDGE CENTER -----	1	
- 27	0523918	BRACKET-FLAP CONTROL -----	1	
		ATTACHING PARTS -----		
- 28	AN3-4A	BOLT -----	2	
- 29	NAS680A3	NUTPLATE -----	2	

- 30	0523901-2	SKIN-FLAP LEADING EDGE LH ONLY -----	1	
	0523901-3	SKIN-FLAP LEADING EDGE RH ONLY -----	1	
- 31	0523901-4	SKIN-FLAP UPPER LH ONLY -----	1	
	0523901-5	SKIN-FLAP UPPER RH ONLY -----	1	
- 32	0523901-6	SKIN-FLAP LOWER LH ONLY -----	1	
	0523901-7	SKIN-FLAP LOWER RH ONLY -----	1	
- 33	S-237-4	DOUBLER-ACCESS HOLE-----CESSNA STANDARD -----	4	
- 34	NAS395-14-3	NUT -----	3	
- 35	S-225-3	COVER-ACCESS HOLE CESSNA STANDARD -----	4	
		ATTACHING PARTS -----		
- 36	S-10212-8-3	SCREW CESSNA STANDARD -----	3	

- 37	48172	PLUG BUTTON-----UC -----	4	
- 38	S-1093-1	PLUG BUTTON-----CESSNA STANDARD -----	14	

NOTE. WHEN ORDERING PARTS MARKED * ALSO ORDER PART MARKED %.

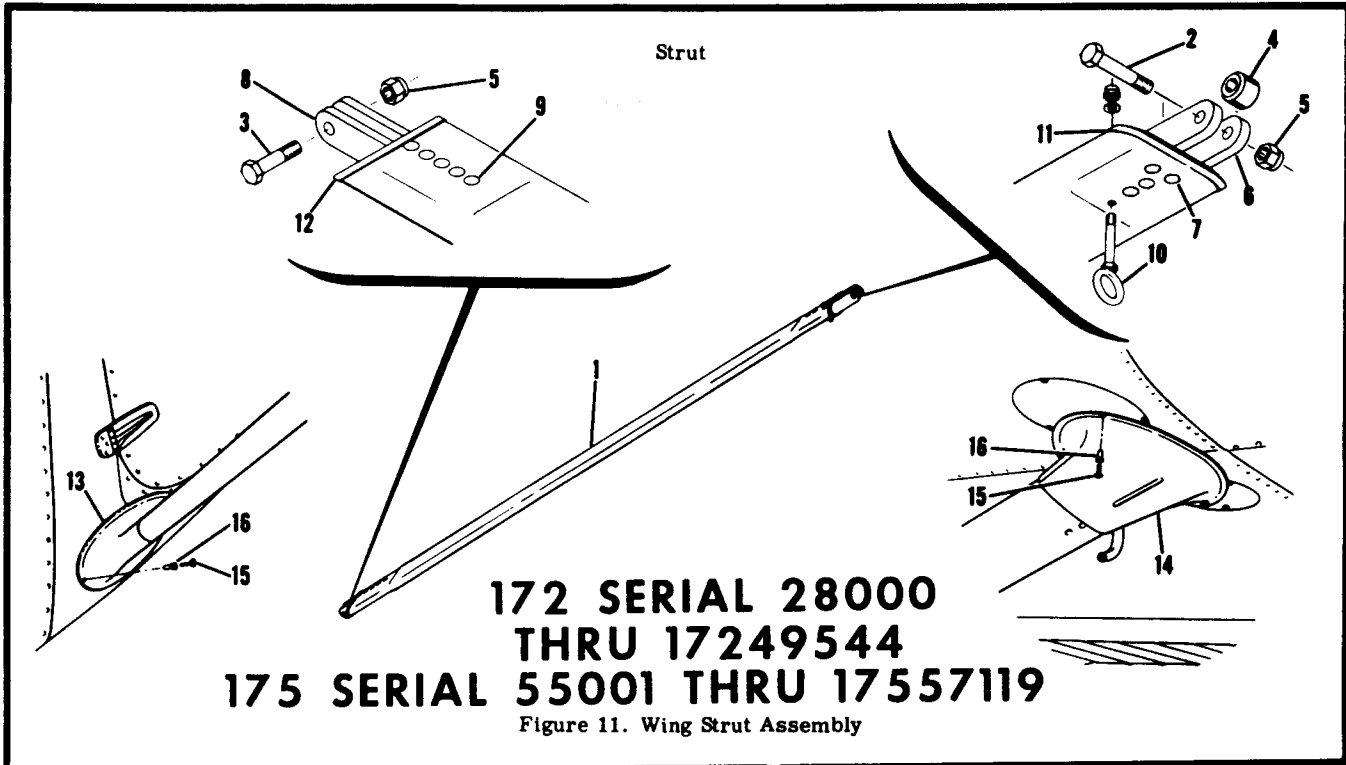
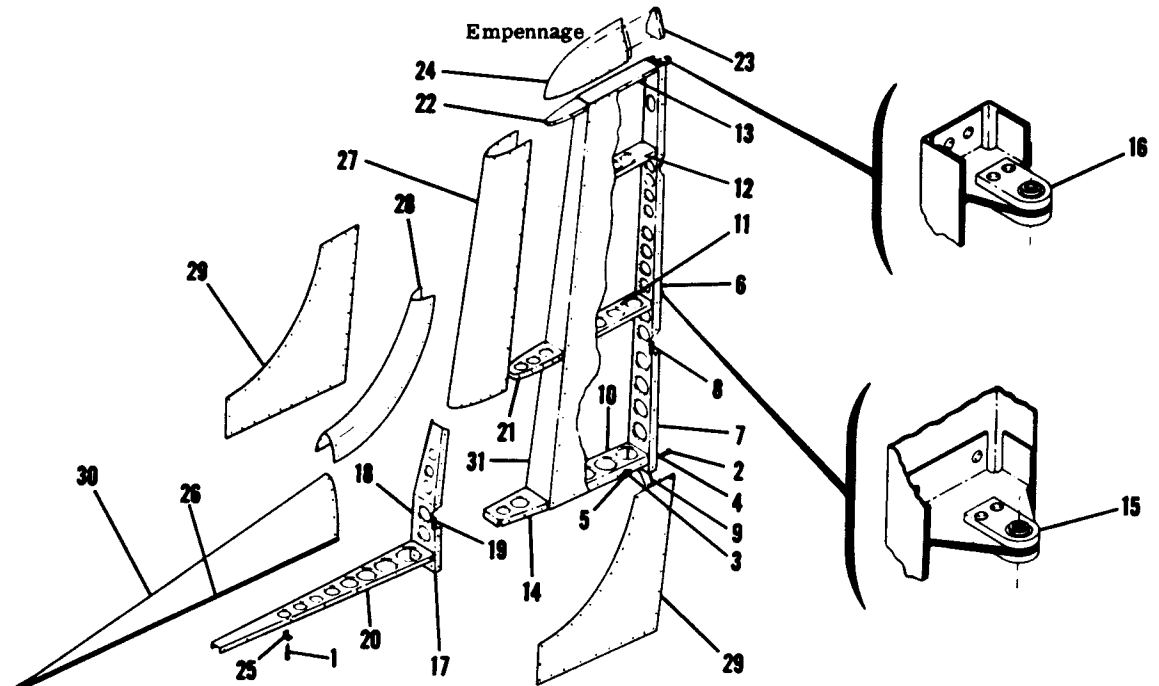


FIGURE AND INDEX NO.	PART NUMBER	DESCRIPTION	UNITS PER ASSY							USABLE ON CODE		
			1	2	3	4	5	6	7			
11-1	0523606-14	STRUT ASSEMBLY-LH	---	---	---	---	---	---	---	1	C	
	0523606-12	STRUT ASSEMBLY-LH	---	---	---	---	---	---	---	1	A	
	0523606-15	STRUT ASSEMBLY-RH	---	---	---	---	---	---	---	1	C	
	0523606-13	STRUT ASSEMBLY-RH	---	---	---	---	---	---	---	1	A	
			ATTACHING PARTS	---	---	---	---	---	---	---		
	- 2	AN8-24A	BOLT	---	---	---	---	---	---	---	1	
	- 3	AN8-17A	BOLT	---	---	---	---	---	---	---	1	
	- 4	0523307	SPACER	---	---	---	---	---	---	---	1	
	- 5	MS20365-820C	NUT	---	---	---	---	---	---	---	2	
		AN960-816	WASHER	---	---	---	---	---	---	---	2	
	- 6	0523614-1	FITTING-STRUT UPPER END	---	---	---	---	---	---	---	1	
			ATTACHING PARTS	---	---	---	---	---	---	---		
	- 7	MS20426AD10	RIVET	---	---	---	---	---	---	---	5	
		0723600-6	RIVET ALTERNATE	---	---	---	---	---	---	---	5	
	- 8	0523608-2	FITTING-STRUT LOWER END	---	---	---	---	---	---	---	1	
			ATTACHING PARTS	---	---	---	---	---	---	---		
- 9	MS20426AD10	RIVET	---	---	---	---	---	---	---	4		
	0723600-6	RIVET ALTERNATE	---	---	---	---	---	---	---	4		
- 10	0523613-1	RING-MOORING	---	---	---	---	---	---	---	1		
		ATTACHING PARTS	---	---	---	---	---	---	---			
	MS20365-524C	NUT	---	---	---	---	---	---	---	1		
	AN960-516	WASHER	---	---	---	---	---	---	---	1		
- 11	0523606-5	SEAL-UPPER	---	---	---	---	---	---	---	1		
- 12	0523606-4	SEAL-LOWER	---	---	---	---	---	---	---	1		
- 13	0522150-1	FAIRING-LOWER LH	---	---	---	---	---	---	---	1	B	
	0522150-2	FAIRING-LOWER RH	---	---	---	---	---	---	---	1	B	
- 14	0522150-3	FAIRING-UPPER LH	---	---	---	---	---	---	---	1	B	
	0522150-4	FAIRING-UPPER RH	---	---	---	---	---	---	---	1	B	
		ATTACHING PARTS	---	---	---	---	---	---	---			
- 15	AN515-8-8	SCREW	---	---	---	---	---	---	---	3	B	
- 16	A8-75	RIVNUT GD	---	---	---	---	---	---	---	3	B	
		-----*										
		A---172 SERIAL 28000 THRU 17248369										
		175 SERIAL 55001 THRU 17556979										
		B---172 SERIAL 46518 THRU 17249544										
		175 SERIAL 56025 THRU 17557119										
		C---172 SERIAL 17248370 THRU 17249544										
		175 SERIAL 17556980 THRU 17557119										



172 SERIAL 28000 THRU 46754 175 SERIAL 55001 THRU 56238

Figure 12. Fin and Dorsal Assembly

FIGURE AND INDEX NO.	PART NUMBER	DESCRIPTION	UNITS PER ASSY	USABLE ON CODE
12-	0531001-1	1 2 3 4 5 6 7 FIN & DORSAL ASSEMBLY -----	1	A
		ATTACHING PARTS		
- 1	AN520-10R8	SCREW -----	4	
- 2	AN5-11A	BOLT -----	2	
- 3	AN960-516	WASHER -----	2	
- 4	AN960-516L	WASHER -----	2	
- 5	MS20365-524C	NUT -----	2	
- 6	0531001-26	SPAR ASSEMBLY-FIN -----	1	
- 7		SPAR-----	NP	
- 8	0531001-28	DOUBLER-SPAR ASSEMBLY -----	1	
- 9	0531002	REINFORCEMENT-FIN REAR SPAR -----	1	
- 10	0531001-15	RIB-FIN -----	1	
- 11	0531001-14	RIB-FIN -----	1	
- 12	0531001-13	RIB-FIN -----	1	
- 13	0531001-12	RIB-FIN -----	1	
- 14	0531001-17	RIB-DORSAL -----	1	
- 15	0531105-3	HINGE ASSEMBLY-FIN LOWER -----	1	
- 16	0531105-8	HINGE ASSEMBLY-FIN UPPER -----	1	
- 17	0531001-18	RIB ASSEMBLY-DORSAL -----	1	
- 18		RIB-DORSAL -----	NP	
- 19	0531001-20	DOUBLER-RIB -----	1	
- 20	0531001-16	RIB-DORSAL -----	1	
- 21	0531001-11	RIB-LEADING EDGE-----	1	
- 22	0531001-10	RIB-LEADING EDGE-----	1	
- 23	0532001-49	RIB-TIP -----	1	
- 24	0531001-36	TIP-FIN -----	1	
- 25	0531001-37	BRACKET -----	4	

CONTINUED ON PAGE 30

FIGURE AND INDEX NO.	PART NUMBER	DESCRIPTION	UNITS PER ASSY	USABLE ON CODE
		1 2 3 4 5 6 7		
12- 26	S-202RB	MOULDING-RUBBER CHANNEL CESSNA STANDARD	AR	
- 27	0531001-3	SKIN-LEADING EDGE	1	
- 28	0531001-4	SKIN-DORSAL	1	
- 29	0531001-5	SKIN-DORSAL	2	
- 30	0531001-6	SKIN-DORSAL	1	
- 31	0531001-7	SKIN-FIN	1	
		A---172 SERIAL 28000 THRU 46754 175 SERIAL 55001 THRU 56238		
		*NOTE. FOR ROTATING BEACON LIGHT INSTL SEE FIGURE 93 NOTE. FOR FLOATPLANE DORSAL INSTL SEE FIGURE 86 NOTE. FOR ACCESSORY KIT LISTINGS REFER TO PAGE 198		
FIGURE AND INDEX NO.	PART NUMBER	DESCRIPTION	UNITS PER ASSY	USABLE ON CODE
		1 2 3 4 5 6 7		
12A-		FIN & DORSAL INSTALLATION	NP	A
	0531006-2	FIN ASSEMBLY	1	
		ATTACHING PARTS		
- 1	AN5-10A	BOLT	2	
- 2	AN960-516	WASHER	2	
- 3	AN960-516L	WASHER	2	
- 4	MS20365-524C	NUT	4	
- 5	AN5-5A	BOLT	2	
		-----*		
- 6	0531006-4	SKIN	1	
- 7	0531006-57	RIB	1	
- 8	0531006-5	SKIN	1	
- 9	0531006-16	RIB	1	
- 10	0531006-13	REINFORCEMENT ASSEMBLY-VERTICAL FIN	1	
- 11	0531006-15	GUSSET	1	
- 12	0531006-17	RIB	1	
- 13	0531006-18	RIB	1	
- 14	0531006-19	RIB	1	
- 15	0531006-20	RIB	1	
- 16	0531006-33	TIP-VERTICAL FIN	1	
	0531007-3	TIP-VERTICAL FIN ROTATING BEACON SEE FIGURE 93	1	
		ATTACHING PARTS		
- 17	S-10212-6-4	SCREW CESSNA STANDARD	12	
- 18	A6196-6Z-3	NUT TIN	8	
		-----*		
- 19	0531006-22	RIB ASSEMBLY	1	
- 20	A6196-6Z-3	NUT TIN	4	
- 21	0531006-21	RIB	1	
- 22	0531006-54	RIB	1	
- 23	0531006-39	HINGE HALF ASSEMBLY-UPPER	1	
- 24	0531006-44	HINGE HALF ASSEMBLY-MIDDLE	1	
- 25	0531006-49	HINGE HALF ASSEMBLY-LOWER	1	
- 26	0531006-9	SPAR ASSEMBLY-VERTICAL FIN	1	
- 27	0531006-10	FITTING	1	
	0531006-1	DORSAL ASSEMBLY	1	
- 28	S-202RB	CHANNEL 8 IN LG BULK ITEM REF S-202R0800B	1	
- 29	S-202RB	CHANNEL 18 IN LG BULK ITEM REF S-202R1800B	1	
- 30	0531006-53	DORSAL	1	
- 31	0531006-59	RIB	1	
- 32	0531006-60	RIB	1	
		A---172 SERIAL 46755 THRU 17249544 175 SERIAL 56239 THRU 17557119		
		NOTE. FOR ACCESSORY KIT LISTINGS REFER TO PAGE 364		
		S-PART NOS. APPEARING ON THIS PAGE ARE CESSNA STANDARDS.		

Empennage (Cont)

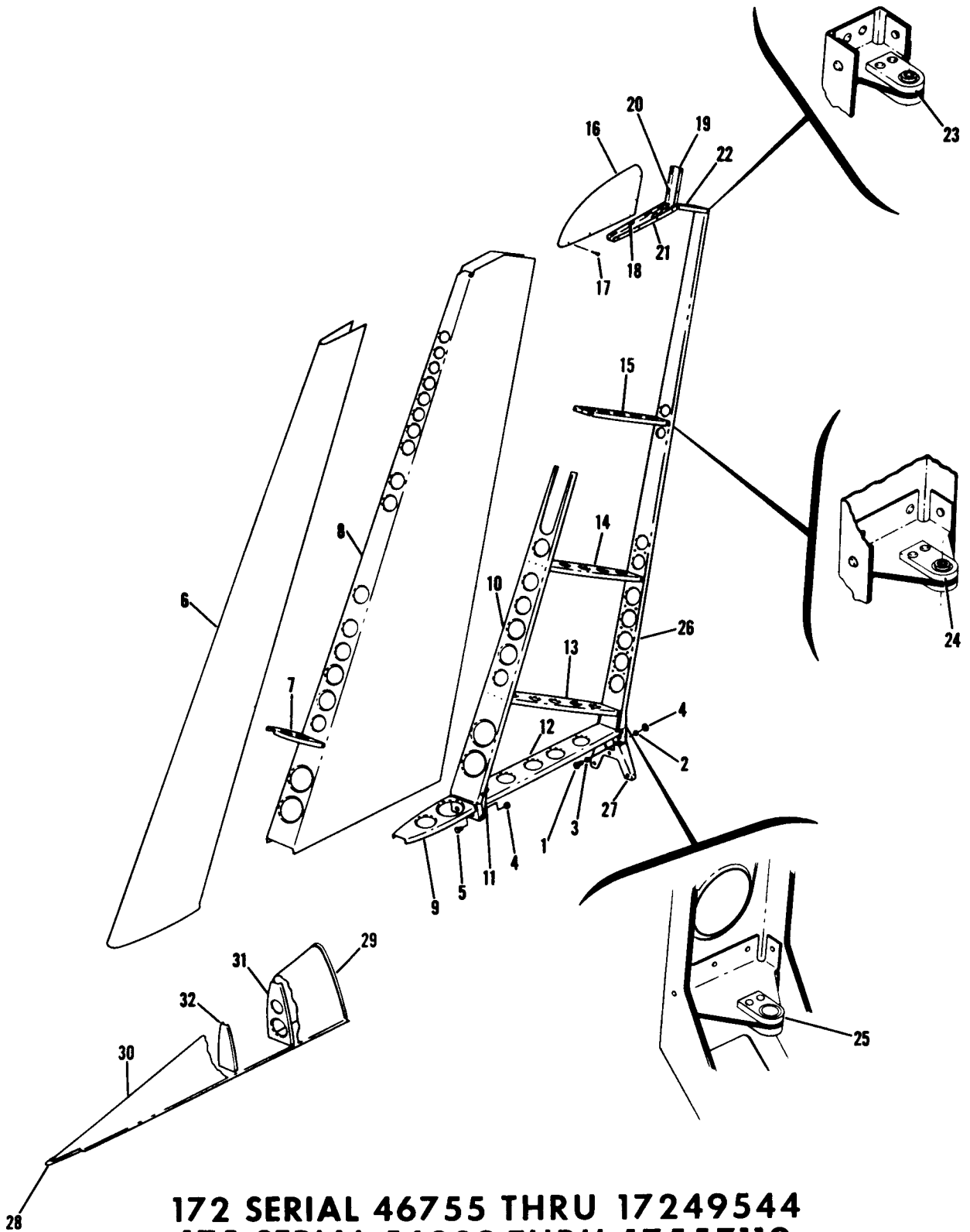
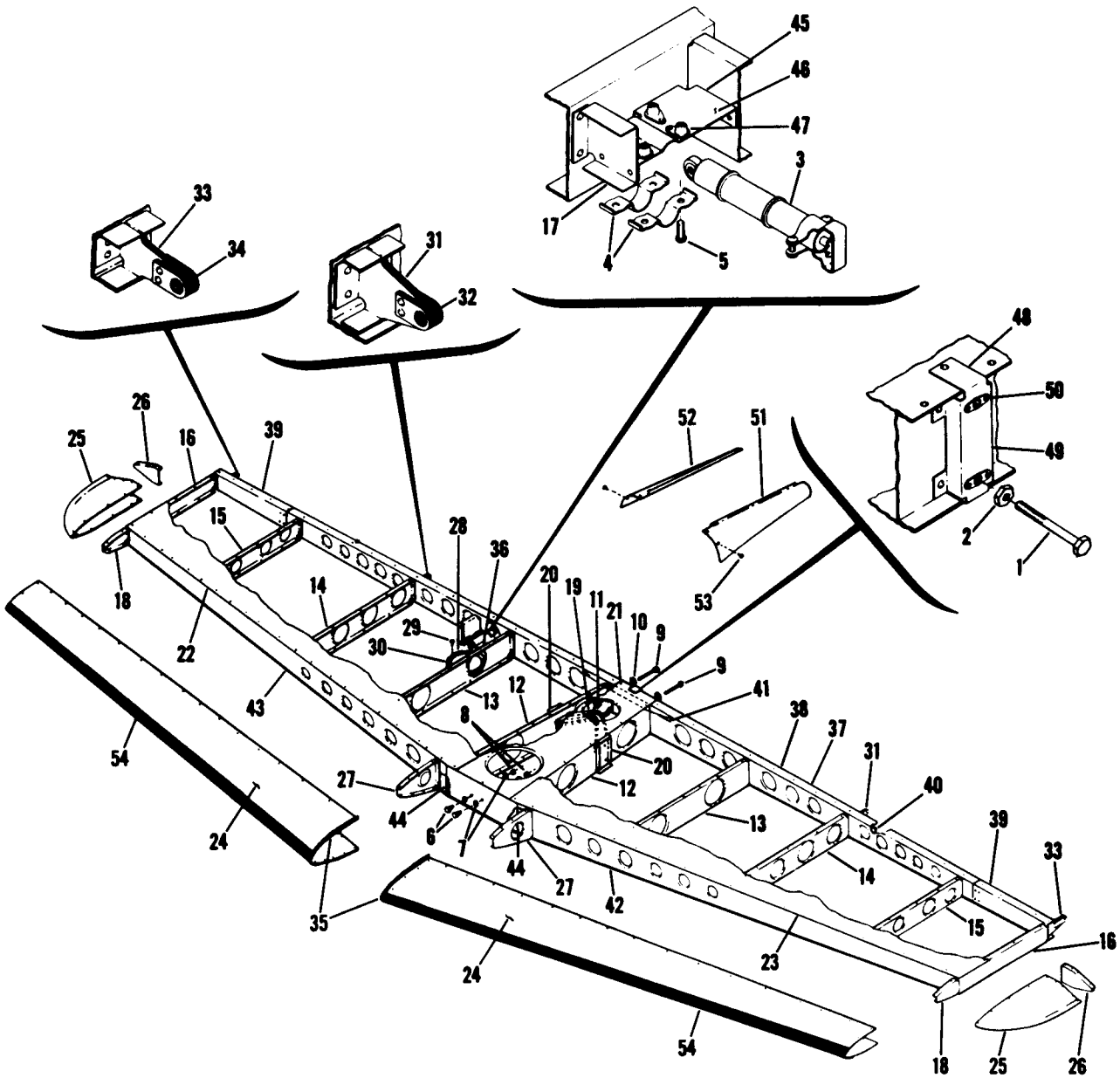


Figure 12A. Fin & Dorsal Installation

Empennage (Cont)



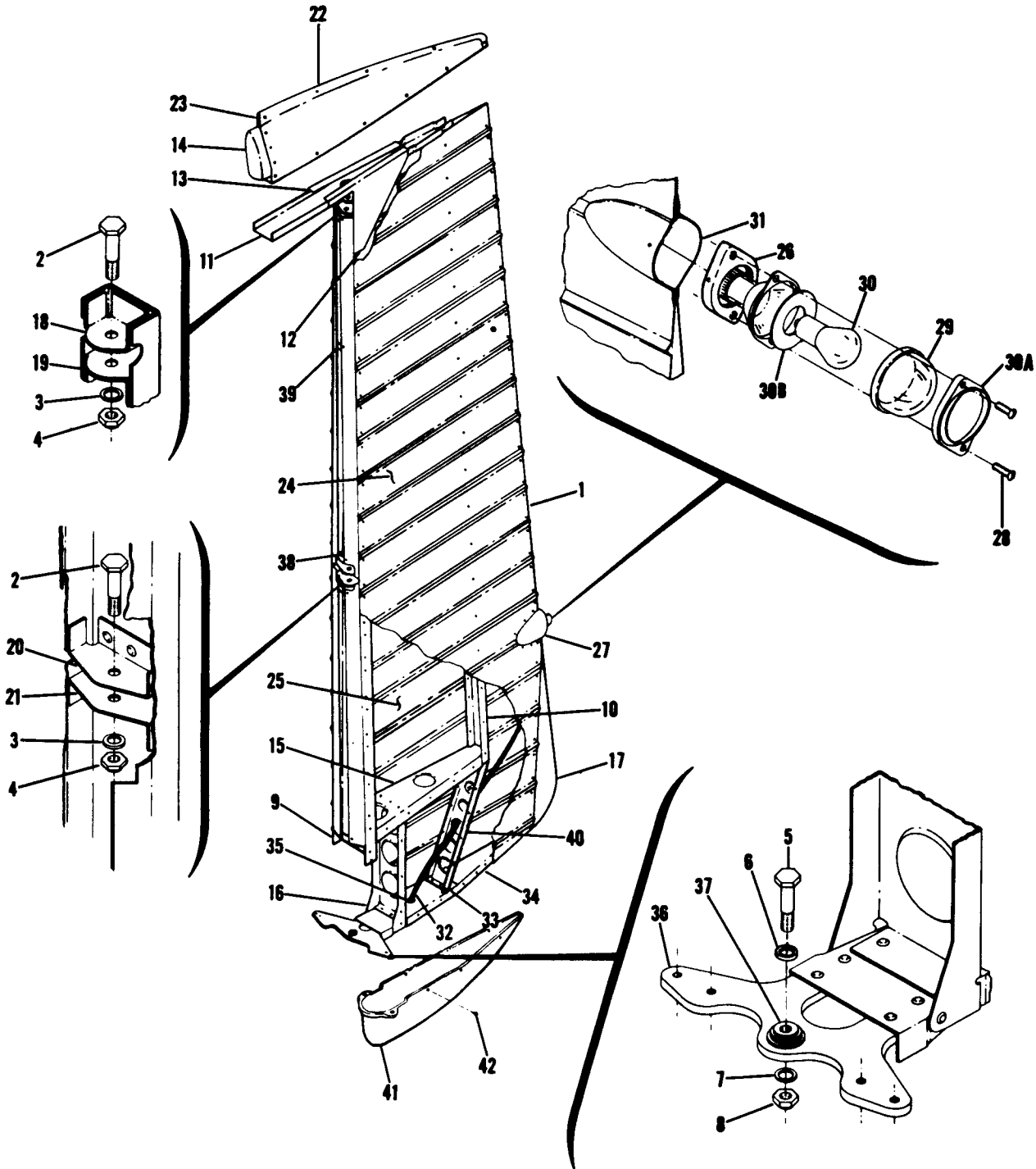
172 SERIAL 28000 THRU 17249544
175 SERIAL 55001 THRU 17557119

Figure 13. Stabilizer Installation

FIGURE AND INDEX NO.	PART NUMBER	DESCRIPTION	UNITS PER ASSY	USABLE ON CODE
		1 2 3 4 5 6 7		
13-		STABILIZER INSTALLATION-----	NP	
- 1	NAS428H3-16	BOLT-ELEVATOR STOP -----	2	
- 2	AN315-3R	NUT-ELEVATOR STOP -----	2	
- 3	0310293-2	ACTUATOR ASSEMBLY-ELEVATOR TAB-----	1	
		ATTACHING PARTS		
- 4	0432126	CLAMP-ACTUATOR -----	2	
- 5	AN520-10R8	SCREW -----	4	
		172 SERIAL 28000		
	0532001-200	STABILIZER ASSEMBLY -----	1	
	0532001-201	STABILIZER ASSEMBLY -----	1	A B
		ATTACHING PARTS		
- 6	AN5-5A	BOLT -----	2	
- 7	AN960-516	WASHER-----	4	
- 8	MS20365-524C	NUT -----	2	
- 9	AN5-23A	BOLT -----	2	
- 10	AN960-516L	WASHER-----	6	
- 11	MS20365-524C	NUT -----	2	
		175 SERIAL 55001		
		THRU 17557119		
		ATTACHING PARTS		
- 12	0532001-12	RIB-STABILIZER-----	2	
- 13	0532001-13	RIB-STABILIZER-----	2	
- 14	0532001-14	RIB-STABILIZER-----	2	
- 15	0532001-15	RIB-STABILIZER-----	2	
- 16	0532001-16	RIB-STABILIZER-----	2	
- 17	0532001-17	STUB RIB-STABILIZER-----	1	
- 18	0532001-18	RIB-STABILIZER NOSE -----	2	
- 19	0532001-21	BRACKET-PULLEY-----	2	
- 20	0532001-22	STIFFENER-STABILIZER -----	2	
- 21	0532001-23	SKIN-STABILIZER CENTER -----	1	
- 22	0532001-24	SKIN-STABILIZER RH -----	1	
- 23	0532001-25	SKIN-STABILIZER LH -----	1	
- 24	0532001-26	SKIN-LEADING EDGE -----	2	
- 25	0532001-27	TIP-STABILIZER-----	2	A B A B
	0532001-61	TIP-STABILIZER-----	2	
- 26	0532001-49	TIP RIB-STABILIZER -----	2	
	0532001-63	TIP RIB-STABILIZER -----	2	
- 27	0532001-50	RIB-STABILIZER NOSE -----	2	
- 28	0432155	RETAINER-ACTUATOR COVER PLATE -----	1	
		ATTACHING PARTS		
- 30	S-1021Z-8-8	SCREW CESSNA STANDARD -----	4	
	NAS395-14-3	NUT -----	4	
		ATTACHING PARTS		
- 31	0532105-6	HINGE ASSEMBLY-STABILIZER -----	2	
- 32	0532104	BUSHING-STABILIZER -----	1	
	S-1003-29A	BEARING-STABILIZER CESSNA STANDARD -----	1	
- 33	0532105-9	HINGE ASSEMBLY-STABILIZER -----	2	
- 34	0532104	BUSHING-STABILIZER -----	1	
	S-1003-29A	BEARING-STABILIZER CESSNA STANDARD -----	1	
- 35	0532200-1	MOULDING-STABILIZER-----	2	
- 36	0432123	PLATE-STABILIZER -----	1	
- 37	0532001-5	SPAR ASSEMBLY-REAR -----	1	
- 38		SPAR-STABILIZER -----	NP	
- 39	0532001-7	TIP-SPAR -----	2	
- 40	0532001-8	REINFORCEMENT-SPAR -----	1	
- 41	0532001-56	ANGLE-REINFORCEMENT -----	2	
- 42	0532001-9	SPAR ASSEMBLY-FRONT-----	1	
- 43		SPAR-STABILIZER -----	NP	
- 44	0532001-11	REINFORCEMENT-SPAR -----	2	
- 45	0532001-20	BRACKET ASSEMBLY-STABILIZER -----	1	
- 46		BRACKET-STABILIZER -----	NP	
- 47	22A3-02	NUT EN -----	4	
- 48	0520006-1	BRACKET ASSEMBLY -----	1	
- 49		BRACKET-STABILIZER -----	NP	
- 50	NAS680A3	NUTPLATE -----	2	
- 51	0530010-1	FAIRING ASSEMBLY-LH -----	1	A B A B
	0530010-5	FAIRING ASSEMBLY-LH -----	1	
- 52	0530010-2	FAIRING ASSEMBLY-RH -----	1	
	0530010-6	FAIRING ASSEMBLY-RH -----	1	
		ATTACHING PARTS		
- 53	S-1021Z-6-8	SCREW CESSNA STANDARD -----	2	
		ATTACHING PARTS		
- 54	0332136-1	SHOE INSTALLATION-HORIZONTAL STABILIZER -----	NP	
		SHOE-STABILIZER -----	2	

A---172 SERIALS 28000 THRU 47746
 175 SERIALS 55001 THRU 56238
 B---175 SERIALS 56239 THRU 17557119
 172 SERIALS 17247747 THRU 17249544
 NOTE. FOR ACCESSORY KIT LISTINGS REFER TO PAGE 364

Empennage (Cont)



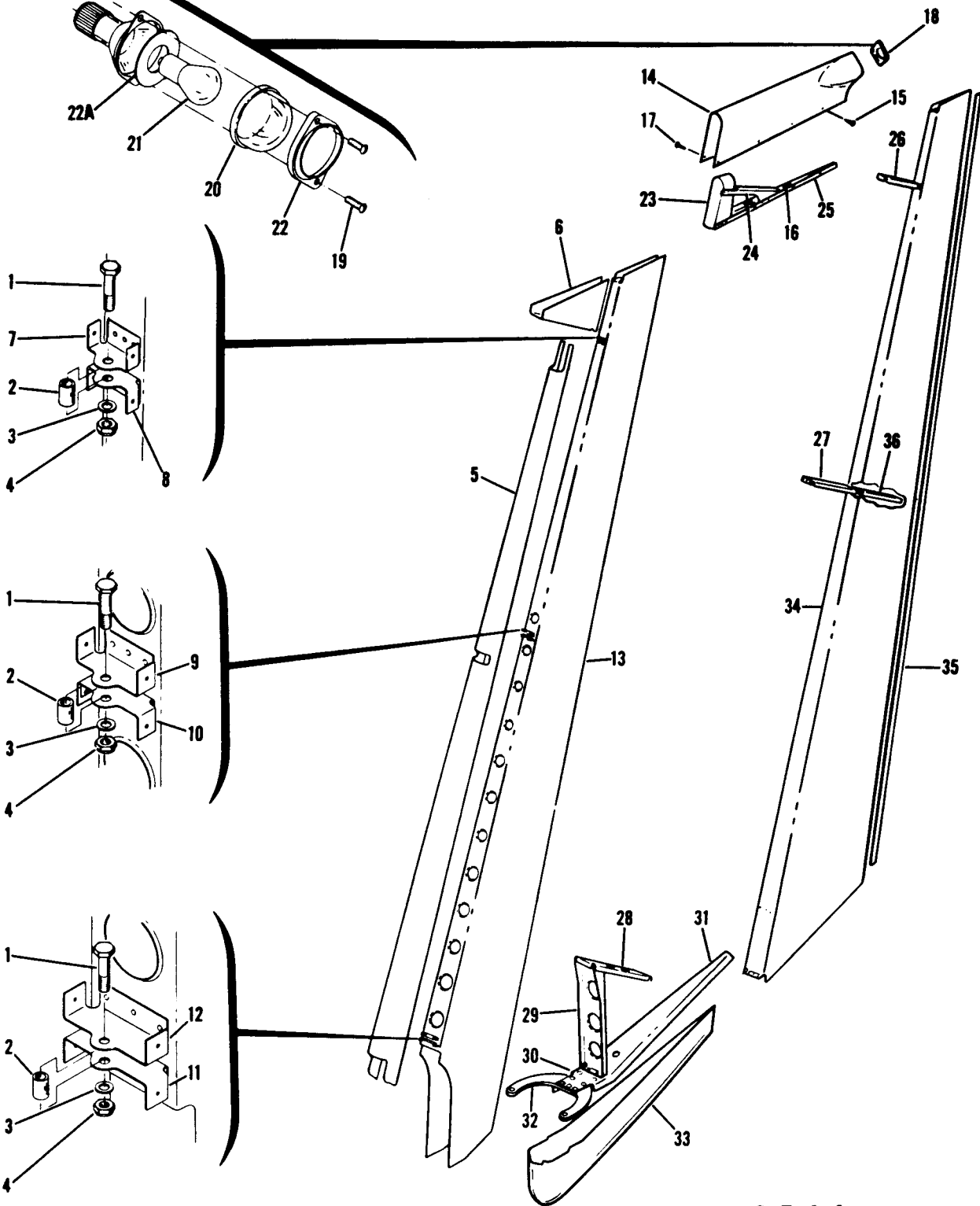
172 SERIAL 28000 THRU 46754
175 SERIAL 55001 THRU 56238

Figure 14. Rudder Assembly

FIGURE AND INDEX NO.	PART NUMBER	DESCRIPTION	UNITS PER ASSY	USABLE ON CODE
14- 1	0531001-38	RUDDER ASSEMBLY ATTACHING PARTS	1	A
- 2	AN4-11A	BOLT	2	
- 3	AN960-416	WASHER	2	
- 4	MS20365-428C	NUT	2	
- 5	AN4-13A	BOLT	1	
- 6	AN960-416L	WASHER	1	
- 7	AN960-416	WASHER	1	
- 8	MS20365-428C	NUT	1	
- 9	0531001-30	SPAR-RUDDER FRONT	1	
- 10	0531001-33	SPAR-RUDDER REAR	1	
- 11	0531001-21	RIB-RUDDER	1	
- 12	0532001-52	DOUBLER-RUDDER RH	1	
- 13	0532001-51	DOUBLER-RUDDER LH	1	
- 14	0532102-4	BALANCE-WEIGHT	1	
- 15	0531001-22	RIB-RUDDER	1	
- 16	0531001-23	RIB-RUDDER	1	
- 17	0531001-31	TAB-TRIM	1	
- 18	0531105-9	BRACKET-RUDDER UPPER	1	
- 19	0531105-12	BRACKET-RUDDER LOWER	1	
- 20	0531105-4	BRACKET-RUDDER UPPER	1	
- 21	0531105-5	BRACKET-RUDDER LOWER	1	
- 22	0531001-35	TIP HALF-RUDDER LH	1	
- 23	0531001-34	TIP HALF-RUDDER RH	1	
- 24	0531001-8	SKIN-RUDDER LH	1	
- 25	0531001-9	SKIN-RUDDER RH	1	
- 26	0433007	MOUNT-TAIL LIGHT	1	
- 27	0433006-7	LIGHT ASSEMBLY-RUDDER ATTACHING PARTS	1	
- 28	AN515-4R6	SCREW	2	
- 29	0433006-2	LENS-TAIL LIGHT CLEAR	1	
- 30	1777	LAMP-SINGLE CONTACT BASE	1	
-30A	0433006-12	LENS RETAINER	1	
-30B	0433006-11	GASKET	1	
- 31	0531001-32	SUPPORT-TAIL LIGHT	2	
- 32	0500005-153	WIRE ASSEMBLY-TAIL LIGHT	1	
- 33	0531001-24	RIB ASSEMBLY-RUDDER	1	
- 34	0531001-25	RIB-RUDDER	1	
- 35	MS35489-4	GROMMET-RIB	1	
- 36	0533132	BELLCRANK ASSEMBLY	1	
- 37	0534125-2	BUSHING-BELLCRANK	1	
	NA5506-4	BEARING-BELLCRANK	1	
- 38	0534126-1	CLIP-RUDDER LOWER	3	
- 39	0534126-2	CLIP-RUDDER UPPER	2	
- 40	0531005-1	RIB-RUDDER	1	
- 41	0531104	FAIRING-RUDDER ATTACHING PARTS	1	
- 42	S-1021Z-8-8	SCREW CESSNA STANDARD	6	

A---172 SERIAL 28000 THRU 46754
175 SERIAL 55001 THRU 56238

Empennage (Cont)

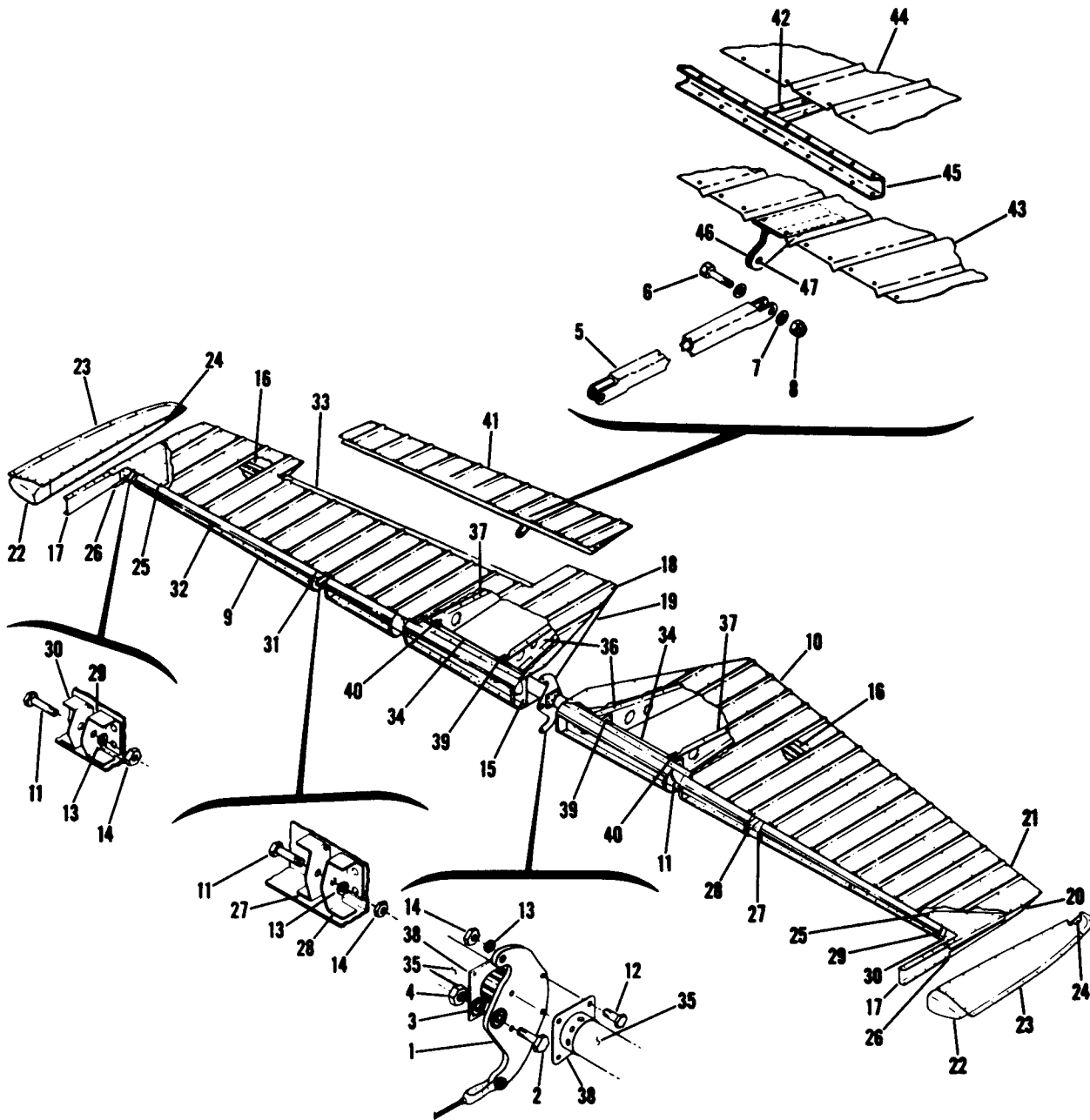


172 SERIAL 46755 THRU 17249544
175 SERIAL 56239 THRU 17557119

Figure 14A. Rudder Assembly

FIGURE AND INDEX NO.	PART NUMBER	DESCRIPTION	UNITS PER ASSY	USABLE ON CODE
		1 2 3 4 5 6 7		
14A-	0531006-3	RUDDER ASSEMBLY	1	A
		ATTACHING PARTS		
- 1	AN4-11A	BOLT	3	
- 2	0532104	BUSHING	3	
- 3	AN960-416	WASHER	3	B
	AN960-416	WASHER LOWER & CENTER HINGE ONLY	2	C
- 4	MS20365-428C	NUT	3	B
	MS20365-428C	NUT LOWER & CENTER HINGE ONLY	2	C
		-----*		
- 5	0531006-6	SKIN	1	
- 6	0531006-55	SKIN	1	
- 7	0531006-40	BRACKET	1	
- 8	0531006-41	BRACKET	1	B
	0531006-63	BRACKET ASSEMBLY	1	C
	NAS698A4	NUTPLATE	1	C
- 9	0531006-45	BRACKET	1	
- 10	0531006-46	BRACKET	1	
- 11	0531006-50	BRACKET	1	
- 12	0531006-51	BRACKET	1	
- 13	0531006-7	SKIN	1	
- 14	0531006-34	TIP-RUDDER	1	
		ATTACHING PARTS		
- 15	S-10212-6-4	SCREW CESSNA STANDARD	6	
- 16	A6196-62-3	NUT TIN	6	
- 17	AN515-8R8	SCREW	2	
		-----*		
- 18	0433007	MOUNT-TAIL LIGHT	1	
	0433006-7	LIGHT ASSEMBLY-RUDDER	1	
		ATTACHING PARTS		
- 19	AN515-4R6	SCREW	2	
		-----*		
- 20	0433006-2	LENS-TAIL LIGHT CLEAR	1	
- 21	1777	LAMP-SINGLE CONTACT BASE	1	
- 22	0433006-12	LENS RETAINER	1	
-22A	0433006-11	GASKET	1	
- 23	0531102-3	WEIGHT	1	
- 24	0531006-62	RIB	1	
- 25	0531006-30	RIB	1	
- 26	0531006-32	RIB	1	
- 27	0531006-29	RIB	1	
- 28	0531006-28	RIB	1	
- 29	0531006-27	RIB	1	
- 30	0531006-24	RIB ASSEMBLY	1	
- 31	0531006-25	RIB	1	
- 32	0531008-1	HORN	1	
- 33	0531006-35	BUTT-RUDDER	1	
- 34	0531006-8	SKIN	1	
- 35	0531006-52	FILLER	1	
- 36	0531006-58	RIB	1	
		-----*		
		A---172 SERIAL 46755 THRU 17249544		
		175 SERIAL 56239 THRU 17557119		
		B---172 SERIAL 46755 THRU 17249085		
		175 SERIAL 56239 THRU 17557064		
		C---172 SERIAL 17249086 THRU 17249544		
		175 SERIAL 17557065 THRU 17557119		
		NOTE. WHEN ORDERING PART MARKED # FOR 172 PRIOR TO SERIAL 46961, ORDER BOTH WEIGHT AND RIB		
		NOTE. WHEN ORDERING PARTS MARKED * FOR AIRCRAFT PRIOR TO 172 SERIAL 47299 ALSO ORDER PARTS MARKED # ON FIG 71A		

Empennage (Cont)



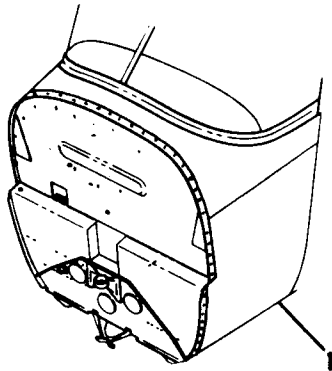
172 SERIAL 28000 THRU 17249544
175 SERIAL 55001 THRU 17557119

Figure 15. Elevator Installation

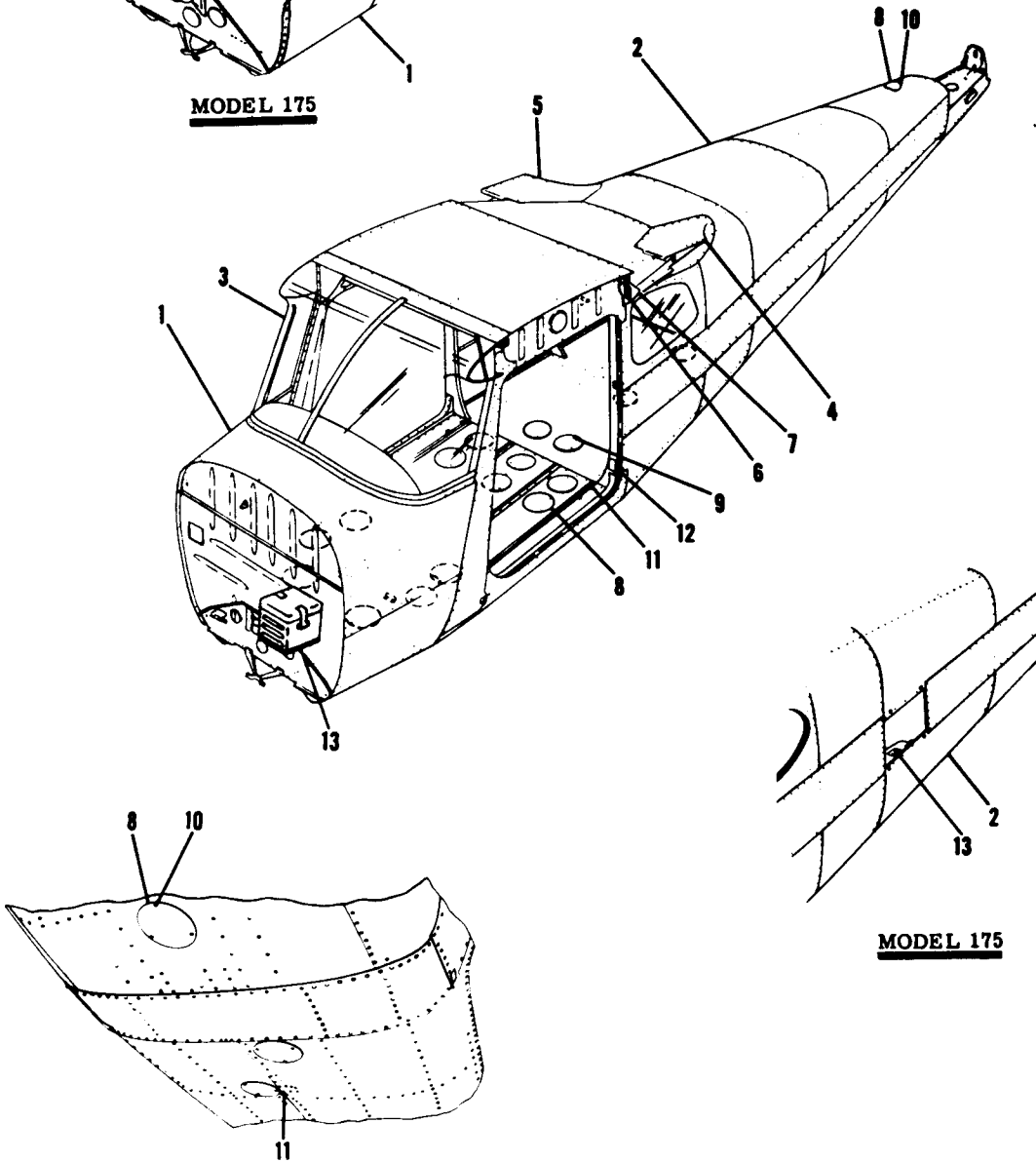


FIGURE AND INDEX NO.	PART NUMBER	DESCRIPTION	UNITS PER ASSY	USABLE
				ON CODE
15-		ELEVATOR INSTALLATION		NP
- 1	0534124	BELLCRANK ASSEMBLY ATTACHING PARTS	1	
- 2	AN4-13A	BOLT	1	
- 3	AN960-416	WASHER	1	
- 4	MS20365-428C	NUT	1	
- 5	0532001-47	CHANNEL-TAB ACTUATOR PUSH-PULL ATTACHING PARTS	1	
- 6	AN3-6A	BOLT	2	
- 7	AN960-10L	WASHER	4	
- 8	MS20365-1032C	NUT	2	
- 9	0593000-1	ELEVATOR ASSEMBLY-RH LESS TRIM TAB	1	A
	0593000-2	ELEVATOR ASSEMBLY-RH LESS TRIM TAB	1	B
	0593000-3	ELEVATOR ASSEMBLY-RH LESS TRIM TAB	1	C
- 10	0532001-3	ELEVATOR ASSEMBLY-LH	1	A
	0532001-59	ELEVATOR ASSEMBLY-LH	1	B
	0532001-67	ELEVATOR ASSEMBLY-LH ATTACHING PARTS	1	C
- 11	AN4-11A	BOLT	4	
- 12	AN4-7A	BOLT	4	
- 13	AN960-416	WASHER	12	
- 14	MS20365-428C	NUT	8	
- 15	0532001-28	SPAR-ELEVATOR	1	
- 16	0532001-29	CHANNEL-ELEVATOR	1	
- 17	0532001-34	RIB-ELEVATOR	1	A
	0532001-64	RIB-ELEVATOR	1	B
	0532001-68	RIB-ELEVATOR	1	C
- 18	0532001-36	SKIN-ELEVATOR UPPER RH	1	
- 19	0532001-38	SKIN-ELEVATOR LOWER RH	1	
- 20	0532001-37	SKIN-ELEVATOR LOWER LH	1	
- 21	0532001-39	SKIN-ELEVATOR UPPER LH	1	
- 22	0532102-1	WEIGHT-ELEVATOR BALANCE	1	A
	0532100-1	WEIGHT-ELEVATOR BALANCE	1	B
	0532106-1	WEIGHT-ELEVATOR BALANCE	1	C
- 23	0532001-40	TIP HALF-ELEVATOR UPPER	1	A
- 24	0532001-41	TIP HALF-ELEVATOR LOWER	1	A
	0532001-62	TIP-ELEVATOR	1	B
	0532001-69	TIP-ELEVATOR	1	C
- 25	0532001-51	DOUBLER-ELEVATOR UPPER	1	
- 26	0532001-52	DOUBLER-ELEVATOR LOWER	1	
- 27	0532105-3	BRACKET-ELEVATOR OUTBOARD	1	
- 28	0532105-4	BRACKET-ELEVATOR INBOARD	1	
- 29	0531105-10	BRACKET-ELEVATOR INBOARD	1	
- 30	0531105-11	BRACKET-ELEVATOR OUTBOARD	1	
- 31	0534126-1	CLIP-ELEVATOR INBOARD	5	
- 32	0534126-2	CLIP-ELEVATOR OUTBOARD	2	
- 33	0532001-45	HINGE ASSEMBLY-TAB RH	1	
- 34	0532001-30	TORQUE TUBE ASSEMBLY-ELEVATOR	1	
- 35	0532001-31	TUBE-TORQUE	1	
- 36	0532001-32	RIB-ELEVATOR	1	
- 37	0532001-33	RIB-ELEVATOR	1	
- 38	0532001-35	ADAPTER-TORQUE TUBE	1	
- 39	0734102-3	ADAPTER-TORQUE TUBE	1	
- 40	0734102-4	ADAPTER-TORQUE TUBE	1	
- 41	0532001-4	TRIM TAB ASSEMBLY-ELEVATOR	1	
- 42	0532001-42	RIB-TAB	1	
- 43	0532001-43	SKIN-TAB LOWER	1	
- 44	0532001-44	SKIN-TAB UPPER	1	
- 45	0532001-48	SPAR-TAB	1	
- 46	0334128	HORN ASSEMBLY-TRIM TAB	1	
- 47	PN-3	BEARING-HORN ASSEMBLY TOR	1	
		A---172 SERIAL 28000 THRU 47746 175 SERIAL 55001 THRU 56238		
		B---175 SERIAL 56239 THRU 17557064 172 SERIAL 17247747 THRU 17249085		
		C---175 SERIAL 17557065 THRU 17557119 172 SERIAL 17249086 THRU 17249544		

Fuselage



MODEL 175



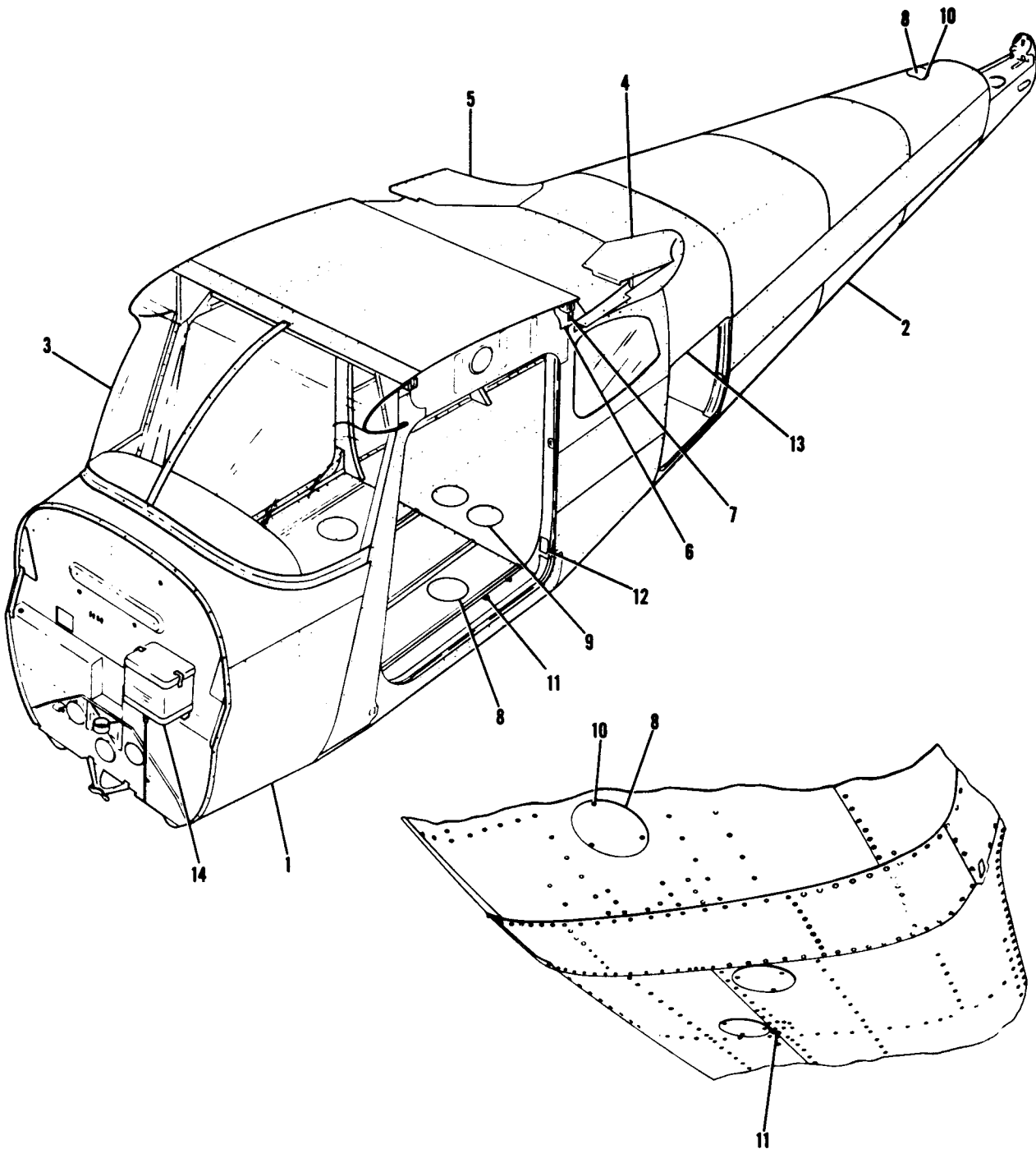
MODEL 175

172 SERIAL 28000 THRU 47746
175 SERIAL 55001 THRU 56777

Figure 16. Fuselage Assembly

FIGURE AND INDEX NO.	PART NUMBER	DESCRIPTION	UNITS PER ASSY	USABLE ON CODE
		1 2 3 4 5 6 7		
16-		FUSELAGE ASSEMBLY -----	NP	J
- 1	0591101-1	FRONT & CENTER SECTION-FUSELAGE SEE FIGURE 17 -----	1	A
	0591101-4	FRONT & CENTER SECTION-FUSELAGE SEE FIGURE 17 -----	1	C
	0591101-7	FRONT & CENTER SECTION-FUSELAGE SEE FIGURE 17 -----	1	G
	0591101-3	FRONT & CENTER SECTION-FUSELAGE SEE FIGURE 17 -----	1	B
	0591101-5	FRONT & CENTER SECTION-FUSELAGE SEE FIGURE 17 -----	1	D
	0591101-6	FRONT & CENTER SECTION-FUSELAGE SEE FIGURE 17 -----	1	E
- 2	0591201-1	AFT SECTION ASSEMBLY-FUSELAGE SEE FIGURE 27 -----	1	F
	0512008-7	AFT SECTION ASSEMBLY-FUSELAGE SEE FIGURE 27 -----	1	G
	0591201-4	AFT SECTION ASSEMBLY-FUSELAGE SEE FIGURE 27 -----	1	H
	0512009-7	AFT SECTION ASSEMBLY-FUSELAGE SEE FIGURE 27A -----	1	E
- 3		WINDSHIELD INSTALLATION SEE FIGURE 21 -----	1	
- 4	0512153-7	FILLET ASSEMBLY-WING LH -----	1	
- 5	0512153-8	FILLET ASSEMBLY-WING RH -----	1	
- 6	0512146	PLATE-LH -----	1	
	0512146-1	PLATE-RH -----	1	
- 7	0512149-1	BRACKET-FLAP PULLEY LH -----	1	
	0512149-2	BRACKET-FLAP PULLEY RH -----	1	
- 8	S-225-1	PLATE-INSPECTION COVER CESSNA STANDARD -----	20	
		ATTACHING PARTS		
- 9	49330	STUD-TRI MOUNT UC -----	48	
- 10	S-10212-8-8	SCREW CESSNA STANDARD -----	12	
- 11	NAS451-51	PLUG BUTTON-----UC 48143 -----	7	
- 12	0413261	NAME PLATE-M.A.A. -----	1	
- 13		BOX INSTALLATION-BATTERY SEE FIGURE 23 -----	NP	
		<p>A---172 SERIAL 28000 THRU 36965</p> <p>B---175 SERIAL 55001 THRU 55703</p> <p>C---172 SERIAL 36966 THRU 46754</p> <p>D---175 SERIAL 55704 THRU 56238</p> <p>E---175 SERIAL 56239 THRU 56777</p> <p>F---172 SERIAL 28000 THRU 46754</p> <p>G---172 SERIAL 46755 THRU 47746</p> <p>H---175 SERIAL 55001 THRU 56238</p> <p>J---172 SERIAL 28000 THRU 47746</p> <p>175 SERIAL 55001 THRU 56777</p>		
		<p>NOTE. SEE FIGURE 87 & 87A FOR FLOAT PLANE FUSELAGE STRUCTURE DETAILS.</p> <p>NOTE. FOR ACCESSORY KIT LISTINGS REFER TO PAGE 364</p>		

Fuselage (Cont)

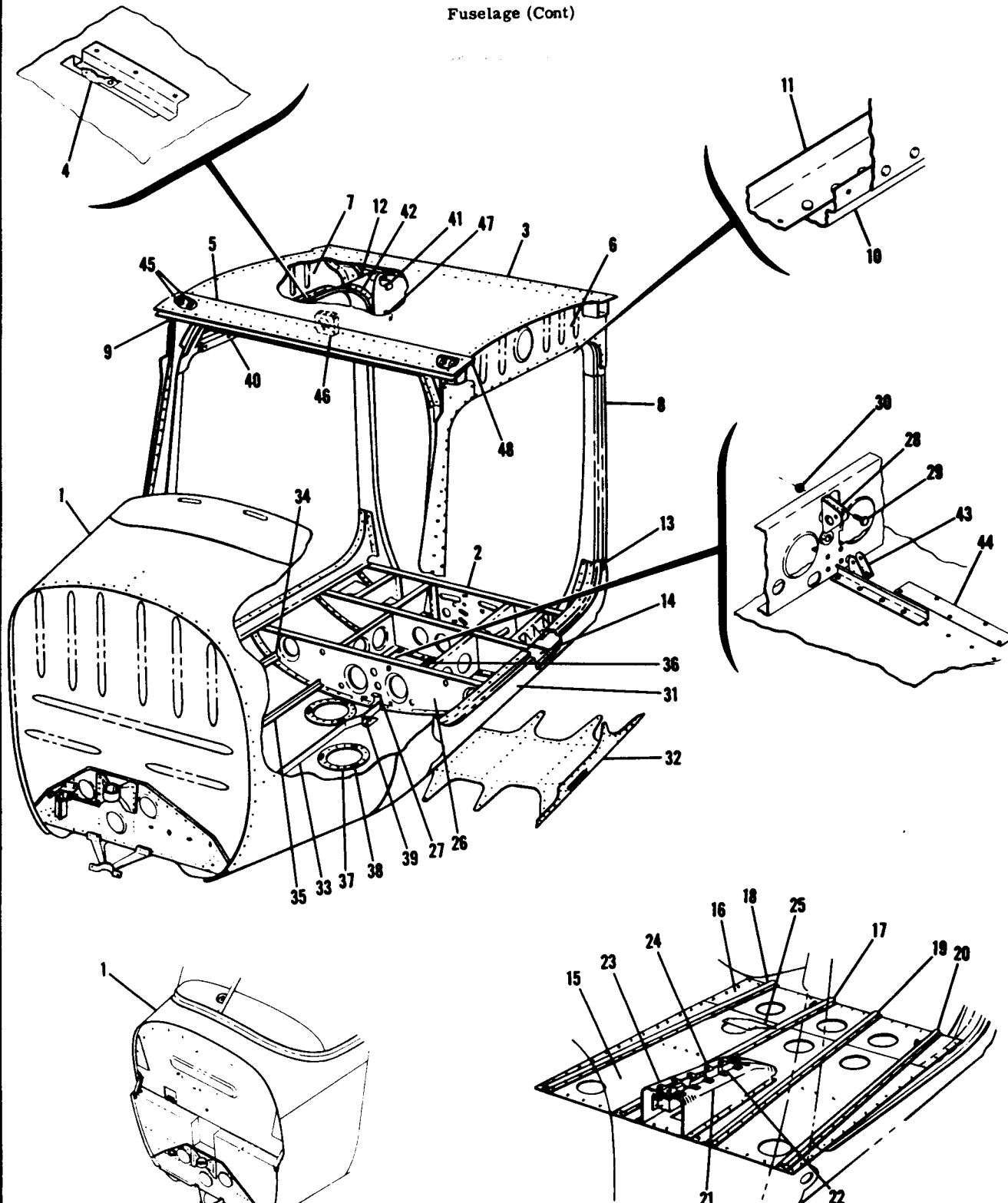


172 SERIAL 17247747 THRU 17249544
175 SERIAL 17556778 THRU 17557119

Figure 16A. Fuselage Assembly

FIGURE AND INDEX NO.	PART NUMBER	DESCRIPTION	UNITS PER ASSY	USABLE ON CODE
		1 2 3 4 5 6 7		
16A-		FUSELAGE ASSEMBLY -----	MP	A
- 1	0591101-8	FRONT & CENTER SECTION-FUSELAGE SEE FIGURE 17 -----	1	D
	0591101-10	FRONT & CENTER SECTION-FUSELAGE SEE FIGURE 17 -----	1	E
	0591101-9	FRONT & CENTER SECTION-FUSELAGE SEE FIGURE 17 -----	1	C
- 2	0512009-7	AFT SECTION ASSEMBLY-FUSELAGE SEE FIGURE 27A -----	1	B
	0512009-9	AFT SECTION ASSEMBLY-FUSELAGE SEE FIGURE 27A -----	1	C
- 3		WINDSHIELD INSTALLATION SEE FIGURE 21 -----	1	
- 4	0512153-7	FILLET ASSEMBLY-WING LH ----- 172 SERIAL -----	1	
- 5	0512153-8	FILLET ASSEMBLY-WING RH ----- 17247747 THRU -----	1	
- 6	0512146	PLATE-LH ----- 17249544 -----	1	
	0512146-1	PLATE-RH ----- 175 SERIAL -----	1	
- 7	0512149-1	BRACKET-FLAP PULLEY LH ----- 17556778 THRU -----	1	
	0512149-2	BRACKET-FLAP PULLEY RH ----- 17557119 -----	1	
- 8	S-225-1	PLATE-INSPECTION COVER CESSNA STANDARD -----	20	
		ATTACHING PARTS -----		
- 9	49330	STUD-TRI MOUNT UC -----	48	
- 10	S-1021Z-8-8	SCREW CESSNA STANDARD -----	12	
- 11	NAS451-51	PLUG BUTTON -----	7	
- 12	0413261	NAME PLATE M.A.A. -----	1	
- 13		BOX INSTALLATION-BATTERY SEE FIGURE 23 -----	1	B
- 14		BOX INSTALLATION-BATTERY SEE FIGURE 23A -----	1	C
	0700326-1	BRACKET ASSEMBLY-REAR AIR VENT -----	2	F
<p>A---172 SERIAL 17247747 THRU 17249544 175 SERIAL 17556778 THRU 17557119 B---175 SERIAL 17556778 THRU 17557119 C---172 SERIAL 17247747 THRU 17249544 D---175 SERIAL 17556778 THRU 17557002 E---175 SERIAL 17557003 THRU 17557119 F---172 SERIAL 17248735 THRU 17249544 175 SERIAL 17557003 THRU 17557119</p> <p>NOTE. SEE FIGURES 87 & 87A FOR FLOATPLANE FUSELAGE STRUCTURE DETAILS</p> <p>NOTE. FOR ACCESSORY KIT LISTINGS REFER TO PAGE 364</p>				

Fuselage (Cont)



172 SERIAL 28000 THRU 17249544
MODEL 175 175 SERIAL 55001 THRU 17557119

Figure 17. Fuselage Front and Center Section Assembly

FIGURE AND INDEX NO.	PART NUMBER	DESCRIPTION	UNITS PER ASSY	USABLE ON CODE		
					1	2
17-	0591101-1	FRONT & CENTER SECTION ASSEMBLY-FUSELAGE	1	A C F H B D E J K A C F H B D E G		
	0591101-4	FRONT & CENTER SECTION ASSEMBLY-FUSELAGE	1			
	0591101-7	FRONT & CENTER SECTION ASSEMBLY-FUSELAGE	1			
	0591101-9	FRONT & CENTER SECTION ASSEMBLY-FUSELAGE	1			
	0591101-3	FRONT & CENTER SECTION ASSEMBLY-FUSELAGE	1			
	0591101-5	FRONT & CENTER SECTION ASSEMBLY-FUSELAGE	1			
	0591101-6	FRONT & CENTER SECTION ASSEMBLY-FUSELAGE	1			
	0591101-8	FRONT & CENTER SECTION ASSEMBLY-FUSELAGE	1			
	0591101-10	FRONT & CENTER SECTION ASSEMBLY-FUSELAGE	1			
	- 1	0591301-1	FRONT SECTION ASSEMBLY-FUSELAGE SEE FIGURE 18		1	
		0591301-8	FRONT SECTION ASSEMBLY-FUSELAGE SEE FIGURE 18		1	
		0591301-16	FRONT SECTION ASSEMBLY-FUSELAGE		1	
		0591302-3	FRONT SECTION ASSEMBLY-FUSELAGE SEE FIGURE 19		1	
		0591301-5	FRONT SECTION ASSEMBLY-FUSELAGE SEE FIGURE 19		1	
		0591301-12	FRONT SECTION ASSEMBLY-FUSELAGE SEE FIGURE 19		1	
		0591301-14	FRONT SECTION ASSEMBLY-FUSELAGE SEE FIGURE 19		1	
		0591302-1	FRONT SECTION ASSEMBLY-FUSELAGE SEE FIGURE 19		1	
	- 2	0511289-4	BULKHEAD ASSEMBLY-LANDING GEAR SEE FIGURE 29		1	
	- 3	0511114-9	TOP ASSEMBLY-CABIN		1	
	- 4	0411680	HANGER-INTERIOR TRIM		2	
	- 5	0511000-24	CAP-FUSELAGE FRONT SPAR		1	
	- 6	0511000-43	RIB-FUSELAGE FORWARD SECTION LH		1	
	- 7	0511000-44	RIB-FUSELAGE FORWARD SECTION RH		1	
	- 8	0512124-21	BULKHEAD ASSEMBLY-STA 65.33 SEE FIGURE 28		1	
	- 9	0511000-25	RETAINER-WINDSHIELD TOP		1	
	- 10	0511000-6	FRAME-DOOR UPPER OUTBOARD LH 172 SERIAL		1	
		0511000-7	FRAME-DOOR UPPER OUTBOARD RH		1	
	- 11	0511000-22	FRAME-DOOR UPPER INBOARD LH 28000 THRU		1	
		0511000-23	FRAME-DOOR UPPER INBOARD RH		1	
	- 12	0511000-9	GUSSET-UPPER REAR DOOR JAMB RH		1	
		0511000-8	GUSSET-UPPER REAR DOOR JAMB LH 17249544		1	
	- 13	0511116	SILL ASSEMBLY-DOOR LOWER LH		1	
		0511116-1	SILL ASSEMBLY-DOOR LOWER RH		1	
	- 14	0511291-201	SUPPORT-DOOR LOWER SILL LH		1	
		0511291-202	SUPPORT-DOOR LOWER SILL RH		1	
	- 15	0511100-2	FLOORBOARD-FUSELAGE CENTER SECTION FORWARD		1	
- 16	0511100-3	FLOORBOARD-FUSELAGE CENTER SECTION AFT	1			
- 17	0511293-2	RAIL-FRONT SEAT INBOARD RH 175 SERIAL 55001	1			
- 18	0511293-4	RAIL-FRONT SEAT OUTBOARD RH	1			
- 19	0511293-1	RAIL-FRONT SEAT INBOARD LH THRU	1			
- 20	0511293-3	RAIL-FRONT SEAT OUTBOARD LH	1			
- 21	0510114-50	BULKHEAD ASSEMBLY-FUSELAGE TUNNEL AFT LH	1			
- 22	NAS395-12-3	NUT TIN A1786-8Z-3 17557119	5			
- 23	0510114-51	BULKHEAD ASSEMBLY-FUSELAGE TUNNEL AFT RH	1			
- 24	NAS395-12-3	NUT TIN A1786-8Z-3	4			
- 25	0510129-3	PLATE-FUSELAGE TUNNEL REAR	1			
- 26	0511290-1	BULKHEAD ASSEMBLY-STA 44.00	1			
- 27	0511192	BRACKET-FUEL SELECTOR VALVE	1			
- 28	0411447	BRACKET-ELEVATOR PULLEY	1			
		ATTACHING PARTS				
- 29	AN520-10R7	SCREW	1			
- 30	MS20365-1032C	NUT	1			
- 31	0511100-1	SKIN-FUSELAGE CENTER SECTION LOWER STA 27.812 TO 56.34	1			
- 32	0511295	SKIN-LANDING GEAR	1			
- 33	0511000-35	STRINGER-FUSELAGE CENTER SECTION	1			
- 34	0511292-2	STRINGER-FUSELAGE CENTER SECTION RH	1			
	0511292-1	STRINGER-FUSELAGE CENTER SECTION LH	1			
- 35	0511292-4	STRINGER-FUSELAGE CENTER SECTION	2			
- 36	0511292-3	STRINGER-FUSELAGE CENTER SECTION	1			

CONTINUED ON PAGE 46



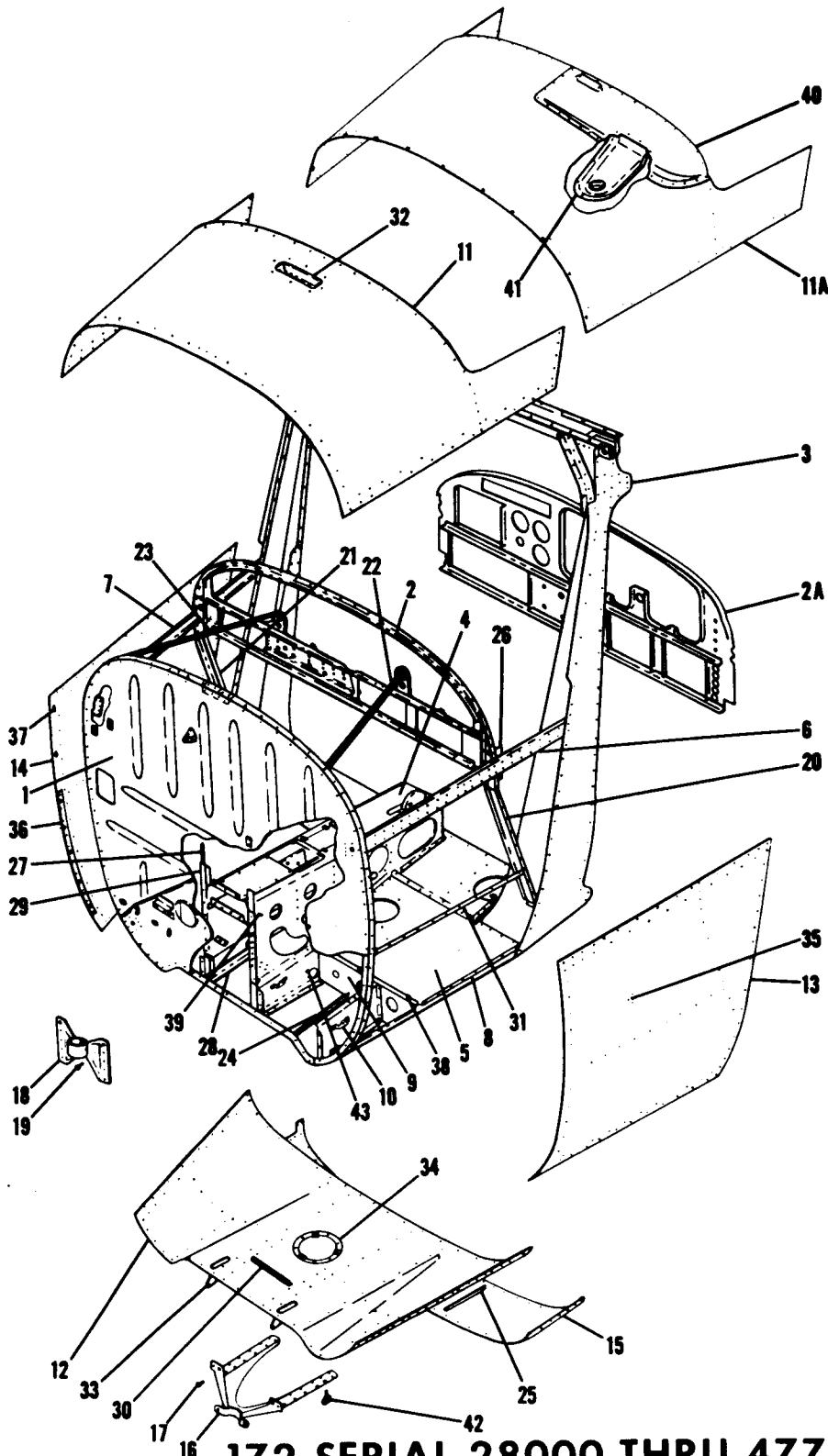
FIGURE AND INDEX NO.	PART NUMBER	DESCRIPTION	UNITS PER ASSY							USABLE ON CODE	
			1	2	3	4	5	6	7		
17- 37	S-226-3	DOUBLER-INSPECTION OPENING---- CESSNA STANDARD -----								2	
- 38	NAS395-14-3	NUT TIN A1786-8Z-3 -----								6	
- 39	0311752-16	BRACKET-TAB PULLEY -----								1	
- 40	0511153	RETAINER ASSEMBLY-HEADLINER -----								2	
- 41	0511150-1	BRACKET-UPHOLSTERY RH -----								1	
	0511150	BRACKET-UPHOLSTERY LH -----								1	
- 42	0511151-1	RETAINER-HEADLINER RH -----								1	
	0511151	RETAINER-HEADLINER LH -----								1	
- 43	0510174	BRACKET-FLAP PULLEY -----								1	
- 44	0511000-60	STRIP-RUB -----								1	
- 45	NAS444-4	NUTPLATE TIN A6191-8Z-3 -----								4	
- 46	0710104-1	BRACKET ASSEMBLY-INSTRUMENT LIGHT -----								1	
	NAS395-6-3	NUT TIN A1784-6Z-3 -----								3	
- 47	0511296-1	ANGLE-LH -----								1	
	0511296-2	ANGLE-RH -----								1	
- 48	MS35489-4	GROMMET -----								2	
<p>A---172 SERIAL 28000 THRU 36965 B---175 SERIAL 55001 THRU 55703 C---172 SERIAL 36966 THRU 46754 D---175 SERIAL 55704 THRU 56238 E---175 SERIAL 56239 THRU 56777 F---172 SERIAL 46755 THRU 47746 G---175 SERIAL 17556778 THRU 17557119 H---172 SERIAL 17247747 THRU 17249544 J---175 SERIAL 17556778 THRU 17557002 K---175 SERIAL 17557003 THRU 17557119</p>											

FIGURE AND INDEX NO.	PART NUMBER	DESCRIPTION	UNITS PER ASSY	USABLE ON CODE
		1 2 3 4 5 6 7		
18-	0591301-1	STRUCTURE ASSEMBLY-FUSELAGE FRONT SECTION	1	A
	0591301-8	STRUCTURE ASSEMBLY-FUSELAGE FRONT SECTION	1	C
	0591301-16	STRUCTURE ASSEMBLY-FUSELAGE FRONT SECTION	1	D
- 1	0591301-2	FIREWALL ASSEMBLY SEE FIGURE 24	1	A
	0591301-9	FIREWALL ASSEMBLY SEE FIGURE 24	1	C
	0591301-15	FIREWALL ASSEMBLY SEE FIGURE 24	1	D
- 2	0513040-32	PANEL ASSEMBLY-STATIONARY ---SEE FIGURE 48	1	A
- 2A	0513158-1	PANEL ASSEMBLY-STATIONARY ---SEE FIGURE 51A	1	B
- 3	0591301-3	BULKHEAD ASSEMBLY-FRONT DOORPOST SEE FIGURE 20	1	
- 4	0591301-4	TUNNEL ASSEMBLY-FUSELAGE FORWARD SEE FIGURE 22	1	A
	0591301-10	TUNNEL ASSEMBLY-FUSELAGE FORWARD SEE FIGURE 22	1	B
- 5	0513001-7	FLOORBOARD-FUSELAGE FRONT SECTION LH	1	
	0513001-4	FLOORBOARD-FUSELAGE FRONT SECTION RH	1	
- 6	0511282	STRINGER ASSEMBLY-ENGINE MOUNT UPPER LH	1	
	0511282-2	STRINGER	1	
	0411281-6	BRACKET-ENGINE MOUNT ATTACHMENT	1	
- 7	0511282-1	STRINGER ASSEMBLY-ENGINE MOUNT UPPER RH	1	
	0511282-3	STRINGER	1	
	0411281-6	BRACKET-ENGINE MOUNT ATTACHMENT	1	
- 8	0511283	STRINGER ASSEMBLY-ENGINE MOUNT LOWER LH	1	
	0511283-3	STRINGER	1	
	0411281-6	BRACKET-ENGINE MOUNT ATTACHMENT	1	
	0511283-1	STRINGER ASSEMBLY-ENGINE MOUNT LOWER RH	1	
	0511283-2	STRINGER	1	
	0411281-6	BRACKET-ENGINE MOUNT ATTACHMENT	1	
- 9	0513009-3	BULKHEAD-FUSELAGE STA 8.125 LH	1	
	0513009-2	BULKHEAD-FUSELAGE STA 8.125 RH	1	
- 10	0510124	BULKHEAD-RUDDER PEDAL OUTBOARD LH	1	
	0510124-1	BULKHEAD-RUDDER PEDAL OUTBOARD RH	1	

172 SERIAL
28000 THRU
47746

CONTINUED ON PAGE 49

Fuselage (Cont)

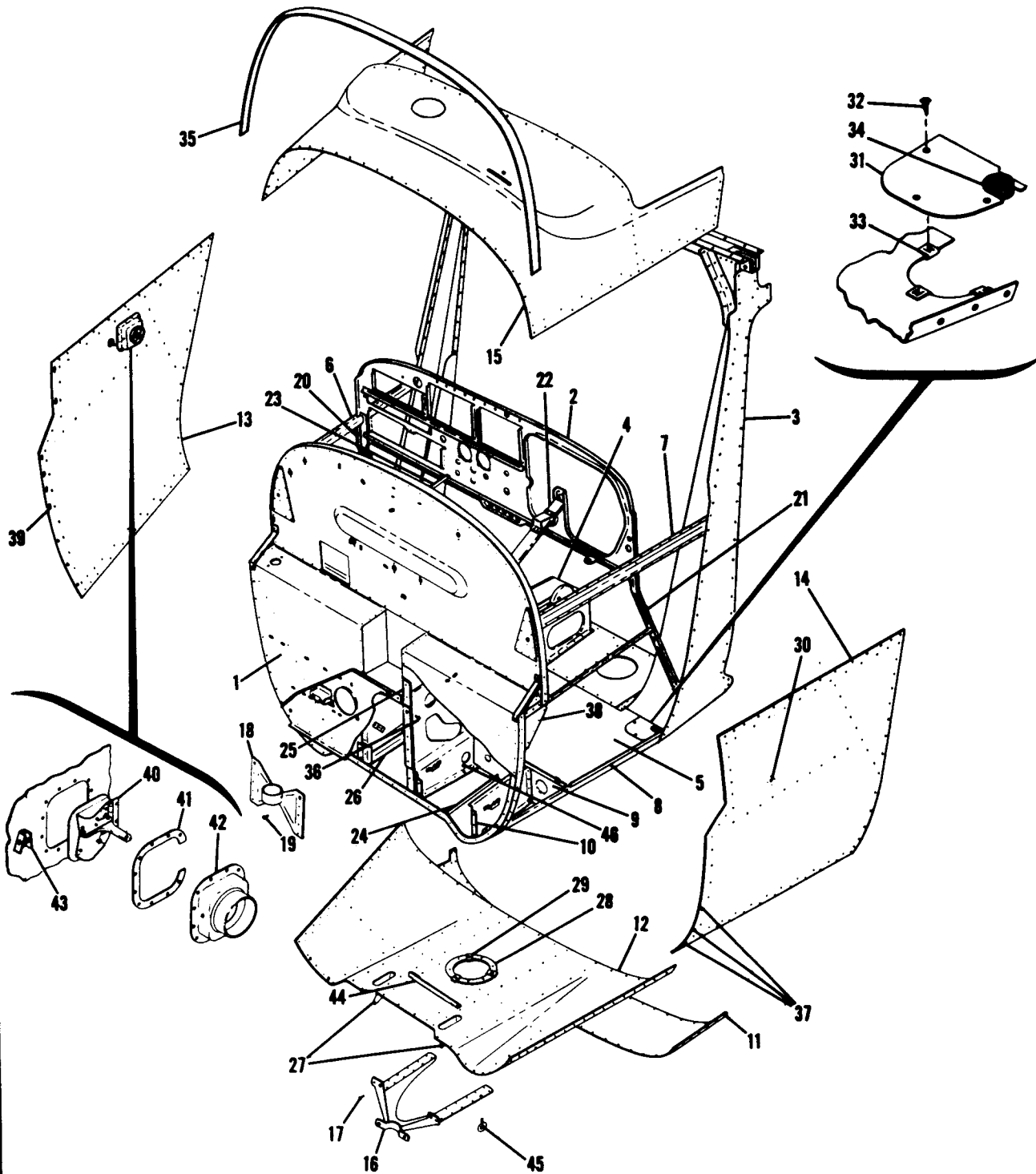


172 SERIAL 28000 THRU 47746

Figure 18. Fuselage Front Section Structure Assembly

FIGURE AND INDEX NO.	PART NUMBER	DESCRIPTION	UNITS PER ASSY	USABLE ON CODE
		1 2 3 4 5 6 7		
18- 11	0513000-22	SKIN-FUSELAGE FRONT SECTION UPPER -----	1	A
-11A	0513001-13	SKIN-FUSELAGE FRONT SECTION UPPER -----	1	B
- 12	0513001-1	SKIN-FUSELAGE FRONT SECTION LOWER -----	1	
- 13	0513000-14	SKIN-FUSELAGE FRONT SECTION LH -----	1	
- 14	0513000-15	SKIN-FUSELAGE FRONT SECTION RH -----	1	
- 15	0513310-9	SKIN-FUSELAGE FRONT SECTION LOWER -----	1	
- 16	0543016-1	FITTING-NOSE GEAR LOWER ----- ATTACHING PARTS	1	
- 17	AN3-5A	BOLT -----	2	
	MS20365-1032C	NUT -----	2	
		---*---		
- 18	0543013-1	FITTING-NOSE GEAR UPPER ----- ATTACHING PARTS	1	
- 19	AN4-6A	BOLT -----	2	
	MS20365-428C	NUT -----	2	
		---*---		
- 20	0513008	BULKHEAD-INSTRUMENT PANEL SUPPORT LH -----	1	
- 21	0513008-1	BULKHEAD-INSTRUMENT PANEL SUPPORT RH -----	1	
- 22	0513035	BRACE-STATIONARY INSTRUMENT PANEL LH -----	1	A
	0513164-1	BRACE-STATIONARY INSTRUMENT PANEL LH -----	1	B
- 23	0513035-1	BRACE-STATIONARY INSTRUMENT PANEL RH -----	1	A
	0513164-2	BRACE-STATIONARY INSTRUMENT PANEL RH -----	1	B
		ATTACHING PARTS		
	S-10212-6-6	SCREW CESSNA STANDARD -----	1	B
	NAS446-2-3	NUT TIN A1181-6Z-3 -----	1	B
		---*---		
- 24	0513000-10	ANGLE-BULKHEAD REINFORCEMENT LH -----	1	
	0513000-9	ANGLE-BULKHEAD REINFORCEMENT RH -----	1	
- 25	0513001-5	ANGLE -----	2	A
- 26	0513001-9	ANGLE-LH -----	1	A
	0513001-8	ANGLE-RH -----	1	
- 27	0513049-3	ANGLE -----	2	
- 28	0513038-2	ANGLE-RH -----	1	
	0513038-1	ANGLE-LH -----	1	
- 29	0513048-1	ANGLE-LH -----	1	
	0513048-2	ANGLE-RH -----	1	
- 30	0513001-11	ANGLE -----	1	
- 31	0513000-57	ANGLE -----	2	
- 32	0413106	HANDLE-ASSIST -----	1	
- 33	0543015-6	BOOT-STEERING LINK -----	2	
	0543026-1	DOUBLER-STEERING LINK -----	2	
- 34	S-237-2	DOUBLER CESSNA STANDARD -----	1	
	NAS395-14-3	NUT TIN A1274-8Z-3 -----	3	
- 35	S-347	FLANGE-PITOT STATIC LINE CESSNA STANDARD -----	1	
- 36	0513000-20	NUTSTRIP -----	2	
- 37	NAS444-5	NUTPLATE TIN A6195-8Z-3 -----	16	
- 38	NAS395-14-3	NUT TIN A1274-8Z-3 -----	6	
- 39	AN3-4A	BOLT -----	2	
	MS20365-1032C	NUT -----	2	
- 40	0513001-14	PAN -----	1	B
- 41	0513161-1	DUCT ASSEMBLY -----	1	B
- 42	0422344	EYEBOLT-MOORING -----	1	
		ATTACHING PARTS		
- 43	MS20365-524C	NUT -----	1	
		---*---		
		A---172 SERIAL 28000 THRU 36965		
		B---172 SERIAL 36966 THRU 47746		
		C---172 SERIAL 36966 THRU 46754		
		D---172 SERIAL 46755 THRU 47746		

Fuselage (Cont)



172 SERIAL 17247747 THRU 17249544
175 SERIAL 55001 THRU 17557119

Figure 19. Fuselage Front Section Structure Assembly

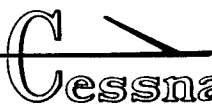


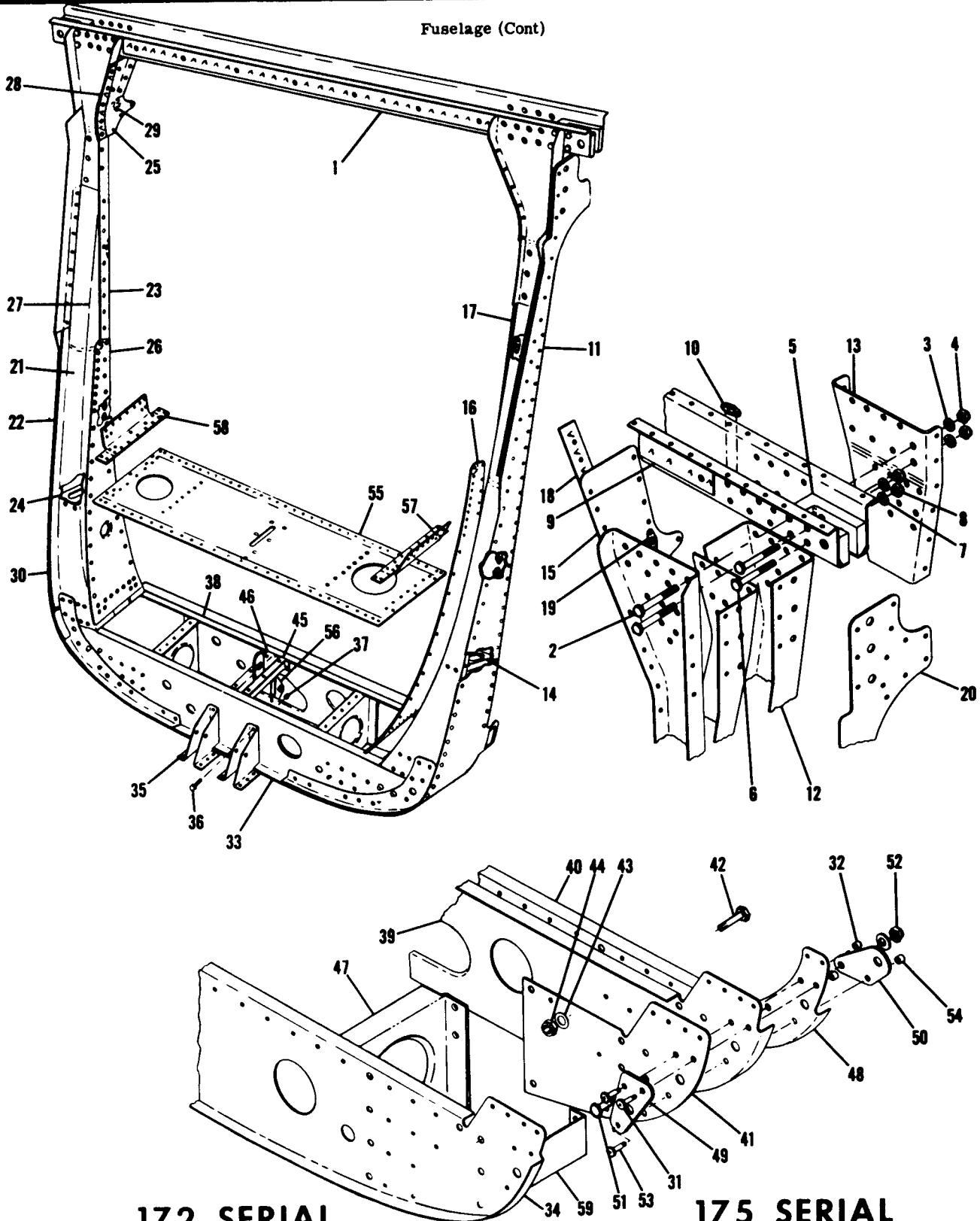
FIGURE AND INDEX NO.	PART NUMBER	DESCRIPTION							UNITS PER ASSY	USABLE ON CODE	
		1	2	3	4	5	6	7			
19-	0591301-5	STRUCTURE ASSEMBLY-FUSELAGE FRONT SECTION							1	A	
	0591301-12	STRUCTURE ASSEMBLY-FUSELAGE FRONT SECTION							1	B	
	0591301-14	STRUCTURE ASSEMBLY-FUSELAGE FRONT SECTION							1	C	
	0591302-1	STRUCTURE ASSEMBLY-FUSELAGE FRONT SECTION							1	M	
	0591302-5	STRUCTURE ASSEMBLY-FUSELAGE FRONT SECTION							1	N	
	0591302-3	STRUCTURE ASSEMBLY-FUSELAGE FRONT SECTION							1	E	
	- 1	0591301-7	FIREWALL ASSEMBLY SEE FIGURE 25							1	F
		0591301-13	FIREWALL ASSEMBLY SEE FIGURE 25							1	C
		0591302-2	FIREWALL ASSEMBLY SEE FIGURE 25							1	M
		0591302-6	FIREWALL ASSEMBLY SEE FIGURE 25							1	N
		0591302-4	FIREWALL ASSEMBLY SEE FIGURE 24A							1	E
	- 2	0513133-1	PANEL ASSEMBLY-STATIONARY SEE FIGURE 47							1	A
		0513133-42	PANEL ASSEMBLY-STATIONARY SEE FIGURES 47 & 51B							1	O
		0513133-52	PANEL ASSEMBLY-STATIONARY SEE FIGURE 47							1	N
	- 3	0591301-3	BULKHEAD ASSEMBLY-FRONT DOORPOST SEE FIGURE 20							1	
	- 4	0591301-6	TUNNEL ASSEMBLY-FUSELAGE FORWARD SEE FIGURE 22							1	A
	0591301-11	TUNNEL ASSEMBLY-FUSELAGE FORWARD SEE FIGURE 22							1	G	
- 5	0513131-1	FLOORBOARD ASSEMBLY-FUSELAGE FRONT SECTION LH							1		
	0513131-2	FLOORBOARD ASSEMBLY-FUSELAGE FRONT SECTION RH							1		
- 6	0513132-4	STRINGER ASSEMBLY-ENGINE MOUNT UPPER RH							1		
- 7	0513132-3	STRINGER ASSEMBLY-ENGINE MOUNT UPPER LH							1		
	0513132-11	BRACKET-ENGINE MOUNT ATTACHMENT							1		
- 8	0513132-1	STRINGER ASSEMBLY-ENGINE MOUNT LOWER LH							1		
	0513132-2	STRINGER ASSEMBLY-ENGINE MOUNT LOWER RH							1		
	0513132-9	BRACKET-ENGINE MOUNT ATTACHMENT LH							1		
	0513132-10	BRACKET-ENGINE MOUNT ATTACHMENT RH							1		
- 9	0513053-1	BULKHEAD-FUSELAGE STA 8.125 LH							1		
	0513053-2	BULKHEAD-FUSELAGE STA 8.125 RH							1		
- 10	0513054-1	BULKHEAD-RUDDER PEDAL OUTBOARD LH							1		
	0513054-2	BULKHEAD-RUDDER PEDAL OUTBOARD RH							1		
- 11	0513310-9	SKIN-FRONT SECTION LOWER AFT							1		
- 12	0513002-5	SKIN-FRONT SECTION LOWER FORWARD							1		
- 13	0513002-4	SKIN-FRONT SECTION RH							1	F	
	0513002-10	SKIN-FRONT SECTION RH							1	P	
	0513002-14	SKIN-FRONT SECTION RH							1	N	
- 14	0513002-3	SKIN-FRONT SECTION LH							1	F	
	0513002-9	SKIN-FRONT SECTION LH							1	L	
- 15	0513002-2	SKIN-FRONT SECTION UPPER							1		
- 16	0543016-1	FITTING-NOSE GEAR LOWER ATTACHING PARTS							1		
- 17	AN3-5A	BOLT							2		
	MS20365-1032C	NUT							2		
- 18	0543013-1	FITTING-NOSE GEAR UPPER ATTACHING PARTS							1		
- 19	AN4-6A	BOLT							2		
	MS20365-428C	NUT							2		
- 20	0513055-2	BULKHEAD-INSTRUMENT PANEL SUPPORT RH							1		
- 21	0513055-1	BULKHEAD-INSTRUMENT PANEL SUPPORT LH							1		
- 22	0513138-1	BRACE-STATIONARY INSTRUMENT PANEL LH							1	H	
	0513185-1	BRACE ASSEMBLY-STATIONARY INSTRUMENT PANEL LH							1	J	
- 23	0513152-1	BRACE-STATIONARY INSTRUMENT PANEL RH							1		
- 24	0513000-10	ANGLE-BULKHEAD REINFORCEMENT LH							1		
	0513000-9	ANGLE-BULKHEAD REINFORCEMENT RH							1		
- 25	0513048-1	ANGLE-LH							1		
	0513048-2	ANGLE-RH							1		
- 26	0513038-2	ANGLE-RH							1		
	0513038-1	ANGLE-LH							1		

CONTINUED ON PAGE 52

FIGURE AND INDEX NO.	PART NUMBER	DESCRIPTION	UNITS PER ASSY	USABLE ON CODE
		1 2 3 4 5 6 7		
19- 27	0543015-6	BOOT-STEERING LINK -----	2	
	0543026-1	DOUBLER-STEERING LINK -----	2	
- 28	S-237-2	DOUBLER CESSNA STANDARD -----	1	
- 29	NAS395-14-3	NUT -----	3	
- 30	S-347-1	FLANGE-STATIC SOURCE CESSNA STANDARD -----	1	
- 31	0713002-3	COVER-WIRE HARNESS ACCESS ----- ATTACHING PARTS	1	
- 32	S-1021-6-4	SCREW CESSNA STANDARD -----	3	
- 33	NAS395-3-3	NUT -----	3	
		---*---		
- 34	MS35489-20S	GROMMET -----	1	
- 35	0513002-6	STRIP-ASBESTOS -----	1	K
- 36	AN3-4A	BOLT -----	2	
	MS20365-1032C	NUT -----	2	
- 37	0513157-1	SNUBBER -----	10	K
- 38	0513137-1	GUSSET-LH -----	1	
	0513137-2	GUSSET-RH -----	1	
- 39	A6195-8Z-3	NUT TIN -----	27	E
- 40	0713135-1	DOOR ASSEMBLY-OUTSIDE AIR -----	1	N
- 41	0713140-1	SEAL -----	1	N
- 42	0713139-1	INLET-AIR -----	1	N
- 43	0450286	CLIP -----	1	N
- 44	0513001-11	ANGLE -----	1	
- 45	0422344	EYEBOLT-MOORING ----- ATTACHING PARTS	1	
- 46	MS20365-524C	NUT -----	1	
		---*---		
		A---175 SERIAL 55001 THRU 55703		
		B---175 SERIAL 55704 THRU 56238		
		C---175 SERIAL 56239 THRU 56777		
		D---175 SERIAL 17556778 THRU 17557119		
		E---172 SERIAL 17247747 THRU 17249544		
		F---175 SERIAL 55001 THRU 56238		
		G---175 SERIAL 55704 THRU 17557119		
		172 SERIAL 17247747 THRU 17249544		
		H---175 SERIAL 55001 THRU 56777		
		J---175 SERIAL 17556778 THRU 17557119		
		172 SERIAL 17247747 THRU 17249544		
		K---175 SERIAL 55001 THRU 17557119		
		L---175 SERIAL 56239 THRU 17557119		
		172 SERIAL 17247747 THRU 17249544		
		M---175 SERIAL 17556778 THRU 17557002		
		N---175 SERIAL 17557003 THRU 17557119		
		O---172 SERIAL 17247747 THRU 17249544		
		175 SERIAL 17556778 THRU 17557002		
		P---175 SERIAL 56239 THRU 17557002		
		172 SERIAL 17247747 THRU 17249544		
		NOTE. FOR ACCESSORY KIT LISTINGS REFER TO PAGE 364		

This page intentionally left blank.

Fuselage (Cont)



**172 SERIAL
28000 THRU 17249544**

**175 SERIAL
55001 THRU 17557119**

Figure 20. Front Doorpost Bulkhead Assembly

FIGURE AND INDEX NO.	PART NUMBER	DESCRIPTION	UNITS PER ASSY	USABLE ON CODE
20-		1 2 3 4 5 6 7		
- 1	0591301-3 0511162-5	BULKHEAD ASSEMBLY-FRONT DOORPOST----- SPAR ASSEMBLY-FUSELAGE CENTER SECTION FORWARD----- ATTACHING PARTS	1 1	
- 2	AN3-21A	BOLT ----- 172 SERIAL 28000 -----	4	
- 3	AN960-10	WASHER-----	4	
- 4	MS20365-1032C	NUT ----- THRU 17249544 -----	4	
- 5	0411129	BLOCK-FUSELAGE SPAR BEARING ----- ATTACHING PARTS	2	
- 6	AN3-20A	BOLT ----- 175 SERIAL 55001 -----	2	
- 7	AN960-10	WASHER -----	2	
- 8	MS20365-1032C	NUT ----- THRU 17557119 -----	2	
- 9	0412496	RETAINER-UPHOLSTERY-----	1	
- 10	NAS680A3	NUTPLATE -----	2	
- 11	0513007-5	DOORPOST ASSEMBLY-FUSELAGE LH -----	1	
- 12	0513006-44	BULKHEAD ASSEMBLY-DOORPOST FORWARD LH -----	1	
- 13	0513006-110	BULKHEAD ASSEMBLY-DOORPOST AFT LH-----	1	
- 14	0713496-3	BRACKET-STIFFENER LH -----	1	
- 15	0513006-42	REINFORCEMENT-DOORPOST INBOARD LH-----	1	
- 16	0513006-8	PLATE-DOORPOST SPLICE LH-----	1	
- 17	0513006-16	RETAINER-WINDSHIELD LH -----	1	
- 18	0513006-25	RETAINER-HEADLINING LH -----	1	
- 19	NAS680A3	NUTPLATE -----	1	
- 20	0513007-3	SKIN-DOORPOST OUTER LH -----	1	
- 21	0513007-6	DOORPOST ASSEMBLY-FUSELAGE RH -----	1	
- 22	0513006-45	BULKHEAD ASSEMBLY-DOORPOST FORWARD RH -----	1	
- 23	0513006-111	BULKHEAD ASSEMBLY-DOORPOST AFT RH-----	1	
- 24	0713496-4	BRACKET-STIFFENER RH -----	1	
- 25	0513006-43	REINFORCEMENT-DOORPOST UPPER INBOARD RH -----	1	
- 26	0513006-22	PLATE-DOORPOST SPLICE RH-----	1	
- 27	0513006-17	RETAINER-WINDSHIELD RH -----	1	
- 28	0513006-26	RETAINER-HEADLINING RH -----	1	
- 29	NAS680A3	NUTPLATE -----	1	
- 30	0513007-4 0513007-2	SKIN-DOORPOST OUTER RH ----- BULKHEAD ASSEMBLY-LOWER ----- ATTACHING PARTS	1 1	
- 31	NAS178-8-7	RIVET-HI SHEAR -----	4	
- 32	NAS179-8	COLLAR-----	4	
- 33	0513007-9	BULKHEAD ASSEMBLY-FORWARD -----	1	
- 34	0513006-9	BULKHEAD-FORWARD -----	1	
- 35	0510110	BRACKET-CONTROL PULLEY----- ATTACHING PARTS	2	
- 36	AN3-4A	BOLT -----	1	
- 37	MS20365-1032C	NUT -----	1	
- 38	0513007-10	BULKHEAD ASSEMBLY-AFT -----	1	
- 39	0513006-103	BULKHEAD-AFT -----	1	
- 40	0513006-24	ANGLE-AFT BULKHEAD REINFORCEMENT -----	1	
- 41	0713495-13	PLATE-AFT BULKHEAD REINFORCEMENT LH -----	1	
- 42	0713495-14	PLATE-AFT BULKHEAD REINFORCEMENT RH -----	1	
- 43	AN3-5A	BOLT -----	2	
- 44	AN960-10	WASHER -----	2	
- 45	MS20365-1032C 0510112	NUT ----- BRACKET-ELEVATOR BELLCRANK LH -----	2 1	
- 46	0510112-1	BRACKET-ELEVATOR BELLCRANK RH -----	1	
- 47	0713054-1 0713054-2	BULKHEAD-LH ----- BULKHEAD-RH -----	1 1	

CONTINUED ON PAGE 56



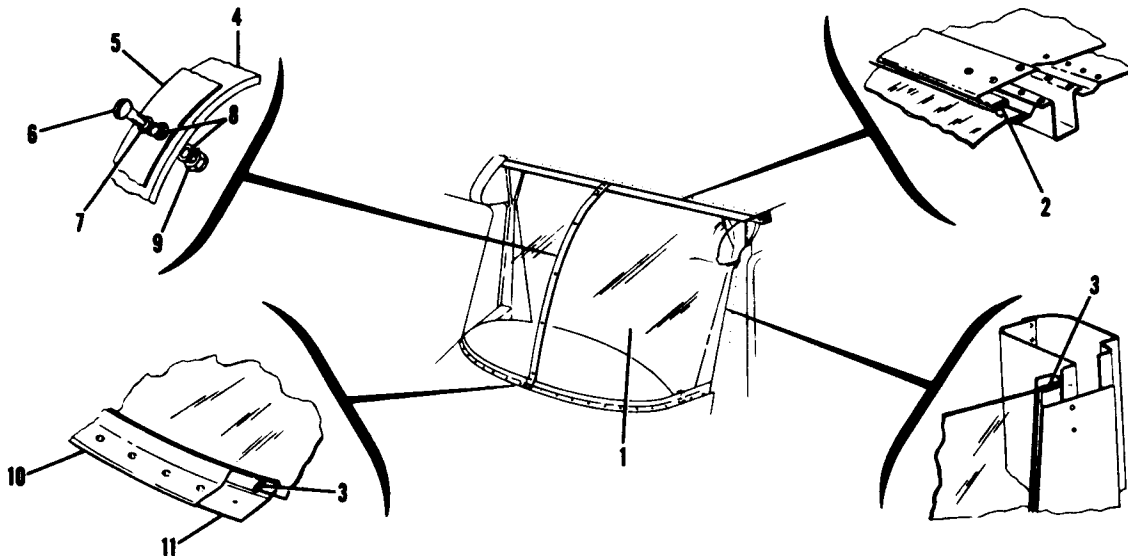
illustrated parts catalog

Models 172 & 175

FIGURE AND INDEX NO.	PART NUMBER	DESCRIPTION	UNITS	USABLE ON CODE
			PER ASSY	
		1 2 3 4 5 6 7		
20- 48	0713495-9	STIFFENER-BULKHEAD AFT LH -----	1	
	0713495-10	STIFFENER-BULKHEAD AFT RH -----	1	
- 49	0713495-55	SPACER -----	4	
- 50	0713495-17	PLATE -----	2	
- 51	AN6-6A	BOLT-----	2	
- 52	MS20365-624C	NUT -----	2	
- 53	NAS178-8-7	RIVET-HI SHEAR-----	2	
- 54	NAS179-8	COLLAR -----	2	
- 55	0513007-7	SHEET-FLOORBOARD -----	1	
- 56	0510163	BRACKET -----	1	
	AN520-10R7	ATTACHING PARTS		
		SCREW -----	1	

- 57	0713495-53	STIFFENER-LH -----	1	
- 58	0713495-54	STIFFENER-RH -----	1	
- 59	0713054-3	BULKHEAD-LH-----	1	
	0713054-4	BULKHEAD-RH-----	1	

Fuselage (Cont)



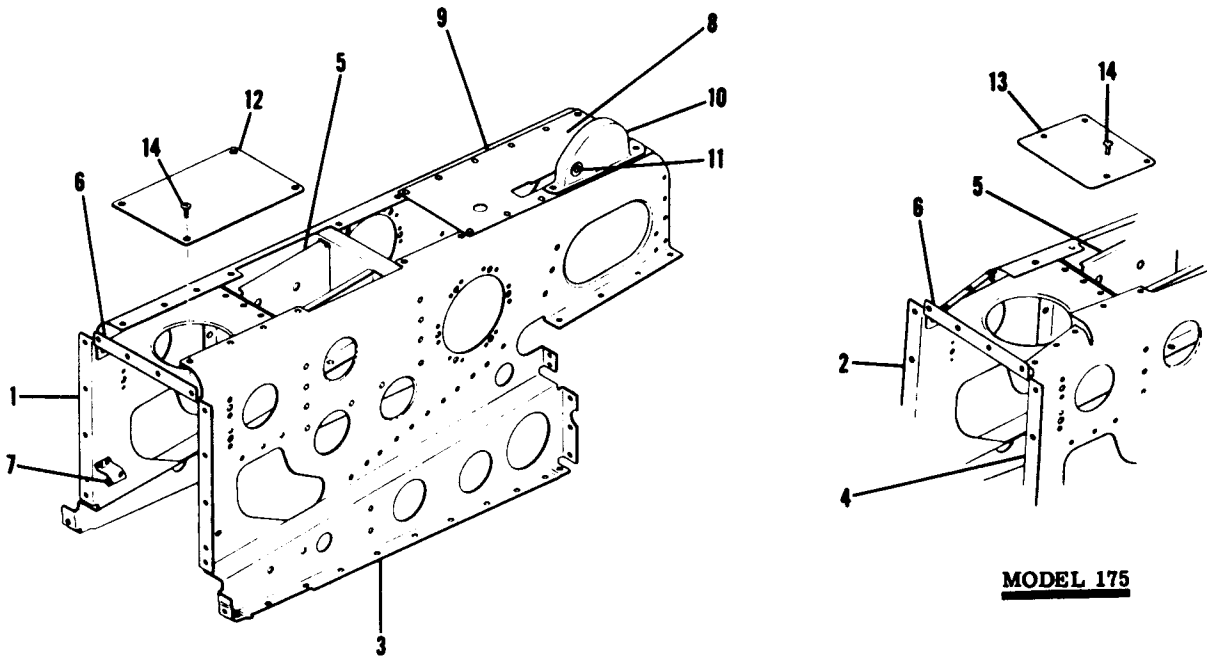
**172 SERIAL 28000
THRU 17249544**

Figure 21. Windshield Installation

**175 SERIAL 55001
THRU 17557119**

FIGURE AND INDEX NO.	PART NUMBER	DESCRIPTION	UNITS PER ASSY	USABLE ON CODE
		1 2 3 4 5 6 7		
21-		WINDSHIELD INSTALLATION -----	NP	
- 1	0510001-5	WINDSHIELD ASSEMBLY-----	1	G
	0513300-16	WINDSHIELD ASSEMBLY-----	1	H
	0513300-8	WINDSHIELD ASSEMBLY-----	1	B
- 2	0510000-5	WINDSHIELD ASSEMBLY-----	1	C
	S-1078-3	PAD-WINDSHIELD UPPER-----	1	E
- 3	0510000-4	SEALER-TAPE CESSNA STANDARD-----	AR	D
	0510001-12	PAD-WINDSHIELD SIDE & LOWER-----	1	F
	S-1078-3	PAD-WINDSHIELD SIDE & LOWER-----	2	E
- 4	0510001-4	SEALER-TAPE CESSNA STANDARD-----	AR	F
	0513300-20	STRIP-WINDSHIELD INSIDE CENTER-----	1	G
	0513300-9	STRIP-WINDSHIELD INSIDE CENTER-----	1	H
- 5	0510001-7	STRIP-WINDSHIELD INSIDE CENTER-----	1	B
	0513300-18	STRIP-WINDSHIELD OUTSIDE CENTER-----	1	J
		STRIP-WINDSHIELD OUTSIDE CENTER-----	1	
		ATTACHING PARTS-----		
- 6	AN520-10R10	SCREW-----	3	
- 7	AN960-10L	WASHER-----	3	
- 8	S-350	WASHER-----CESSNA STANDARD-----	12	
- 9	22NKM-02	NUT EN-----	4	
- 10	0510000-21	RETAINER-WINDSHIELD LOWER OUTER-----	1	A
	0513300-1	RETAINER HALF-WINDSHIELD LOWER OUTER LH-----	1	B
	0513300-2	RETAINER HALF-WINDSHIELD LOWER OUTER RH-----	1	B
- 11	0510000-22	RETAINER-WINDSHIELD LOWER INNER-----	1	G
		A---172 SERIAL 28000 THRU 17249544		
		B---175 SERIAL 55001 THRU 17557119		
		C---172 SERIAL 28000 THRU 47006		
		175 SERIAL 55001 THRU 56243		
		D---172 SERIAL 28000 THRU 29884		
		E---172 SERIAL 47007 THRU 17249544		
		175 SERIAL 56244 THRU 17557119		
		F---172 SERIAL 29885 THRU 47006		
		175 SERIAL 55001 THRU 56243		
		G---172 SERIAL 28000 THRU 47746		
		H---172 SERIAL 17247747 THRU 17249544		
		175 SERIAL 17557003 THRU 17557119		
		J---172 SERIAL 17247747 THRU 17249544		
		175 SERIAL 55001 THRU 17557119		

Fuselage (Cont)



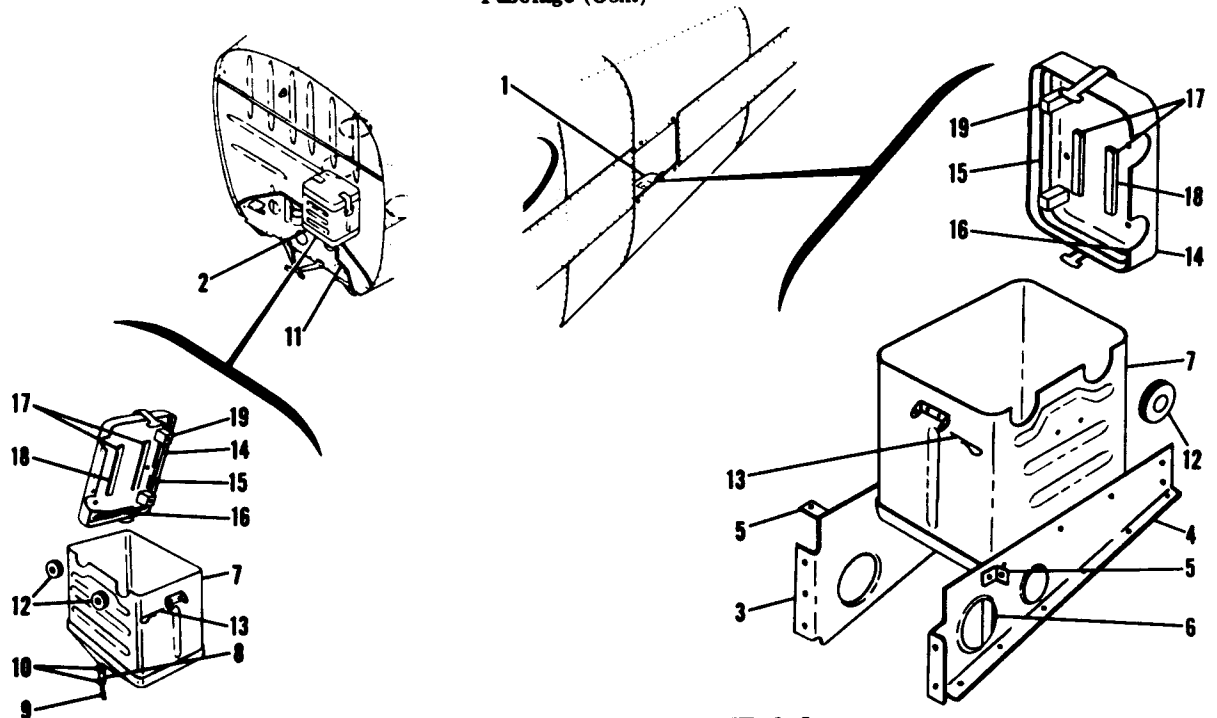
172 SERIAL 28000
THRU 17249544

Figure 22. Fuselage Tunnel Assembly

175 SERIAL 55001
THRU 17557119

FIGURE AND INDEX NO.	PART NUMBER	DESCRIPTION	UNITS PER ASSY	USABLE ON CODE
		1 2 3 4 5 6 7		
22-	0591301-4	TUNNEL ASSEMBLY-FUSELAGE FWD----	1	D
	0591301-10	TUNNEL ASSEMBLY-FUSELAGE FORWARD-----	1	C
	0591301-6	TUNNEL ASSEMBLY-FUSELAGE FWD----	1	F
	0591301-11	TUNNEL ASSEMBLY-FUSELAGE FORWARD-----	1	E
- 1	0510113-4	BULKHEAD-TUNNEL FWD RH WHEN EXHAUSTED USE 0510113-11	1	D
	0510113-11	BULKHEAD ASSEMBLY-TUNNEL FORWARD RH-----	1	C
- 2	0510113-6	BULKHEAD-TUNNEL FWD RH WHEN EXHAUSTED USE 0510113-14	1	F
	0510113-14	BULKHEAD ASSEMBLY-TUNNEL FORWARD RH-----	1	E
- 3	0510113-3	BULKHEAD-TUNNEL FWD LH WHEN EXHAUSTED USE 0510113-12	1	D
	0510113-12	BULKHEAD ASSEMBLY-TUNNEL FORWARD LH-----	1	C
- 4	NAS446-2-3	NUT TIN A6195-6Z-3 -----	1	
	0510113-7	BULKHEAD-TUNNEL FORWARD LH---- WHEN EXHAUSTED USE 0510113-15	1	F
	0510113-15	BULKHEAD ASSEMBLY-TUNNEL FORWARD LH-----	1	E
- 5	0510135	SUPPORT ASSEMBLY-CONTROL TEE -----	1	
- 6	0713052	BULKHEAD-TUNNEL REINFORCEMENT -----	1	
- 7	0510128	BRACKET-RUDDER PEDAL SPRING -----	2	
- 8	0510138	COVER ASSEMBLY-FUSELAGE TUNNEL AFT -----	1	
- 9	0510138-2	COVER-FUSELAGE TUNNEL AFT -----	1	
- 10	0510138-3	COVER ASSEMBLY-TAB CONTROL -----	1	
- 11	M-451	BEARING-----TOR -----	1	
- 12	0510144	COVER-FUSELAGE TUNNEL FORWARD -----	1	A
- 13	0510145-1	COVER-FUSELAGE TUNNEL FORWARD -----	1	B
- 14	S-1021Z-8-6	ATTACHING PARTS SCREW CESSNA STANDARD -----	4	
		-----*		
		A---172 SERIAL 28000 THRU 47746		
		B---175 SERIAL 55001 THRU 17557119		
		172 SERIAL 17247747 THRU 17249544		
		C---172 SERIAL 36966 THRU 47746		
		D---172 SERIAL 28000 THRU 36965		
		E---175 SERIAL 55704 THRU 17557119		
		172 SERIAL 17247747 THRU 17249544		
		F---175 SERIAL 55001 THRU 55703		

Fuselage (Cont)



172 SERIAL 28000 THRU 47746
175 SERIAL 55001 THRU 17557119

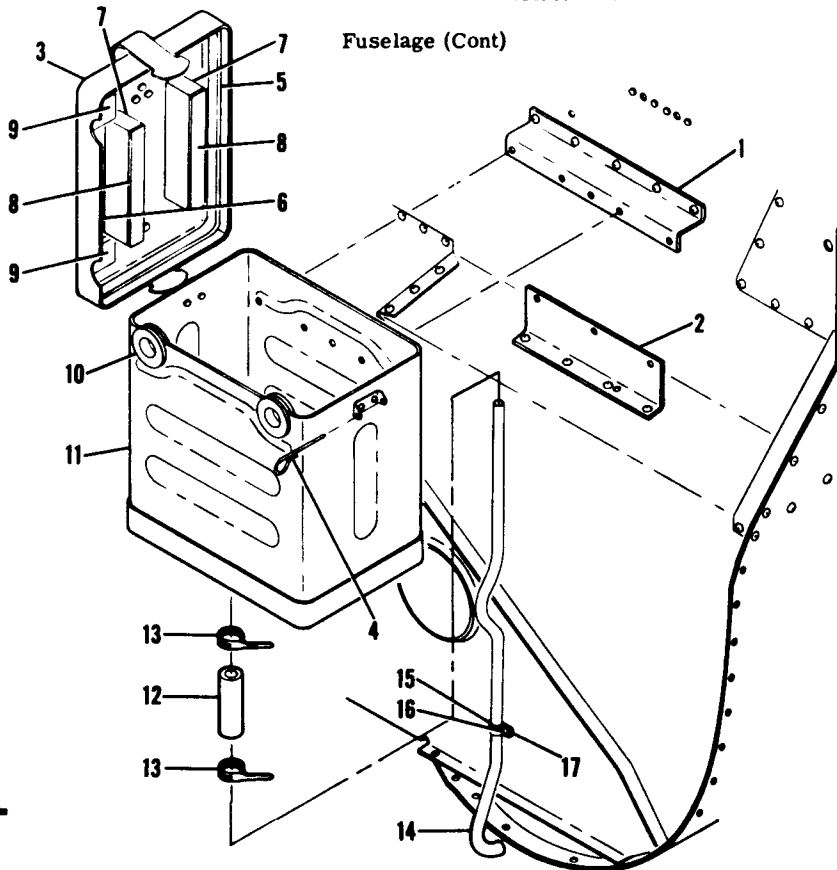
MODEL 175

Figure 23. Battery Box Installation

FIGURE AND INDEX NO.	PART NUMBER	DESCRIPTION	UNITS PER ASSY	USABLE ON CODE
		1 2 3 4 5 6 7		
23-		BOX INSTALLATION-BATTERY	NP	C
- 1	0512003-1	BOX ASSEMBLY-BATTERY	1	B
- 2	0513011-9	BOX ASSEMBLY-BATTERY	1	A
- 3	0712601-2	BRACKET-MOUNTING	1	B
- 4	0712601-3	BRACKET ASSEMBLY-MOUNTING	1	B
	NAS680A4	NUT	1	B
- 5	0712601-4	BRACKET	2	B
- 6	S-307-10-0303	TUBE-DRAIN CESSNA STANDARD	1	B
- 7	0413307-18	BOX ASSEMBLY-BATTERY	1	A
- 8	AN884-6-9	TUBE-DRAIN	1	A
- 9	0500106-195	TUBE-DRAIN	1	A
		ATTACHING PARTS		
- 10	NAS397-12-59	CLAMP TIN A3122-12-59	2	A
- 11	A2980A-6	CLAMP TIN	1	A
	S-1021Z-8-6	SCREW CESSNA STANDARD	1	A
	NAS446-4-3	NUT TIN A1778-8Z-3	1	A

- 12	M535489-19	GROMMET	2	
- 13	AN415-2	PIN-LOCK	2	
- 14	0413307-21	LID ASSEMBLY-BATTERY BOX	1	
- 15	0413307-4	SEAL-LID REAR	1	
- 16	0413307-8	SEAL-LID FORWARD	1	
- 17	0413307-5	SPACER-LID	2	
- 18	0413307-6	INSULATOR-LID	2	
- 19	0413307-7	INSULATOR-LID	2	
		ATTACHING PARTS		
	AN545-8A6	SCREW	4	

		A---172 SERIAL 28000 THRU 47746		
		B---175 SERIAL 55001 THRU 17557119		
		C---172 SERIAL 28000 THRU 47746		
		175 SERIAL 55001 THRU 17557119		



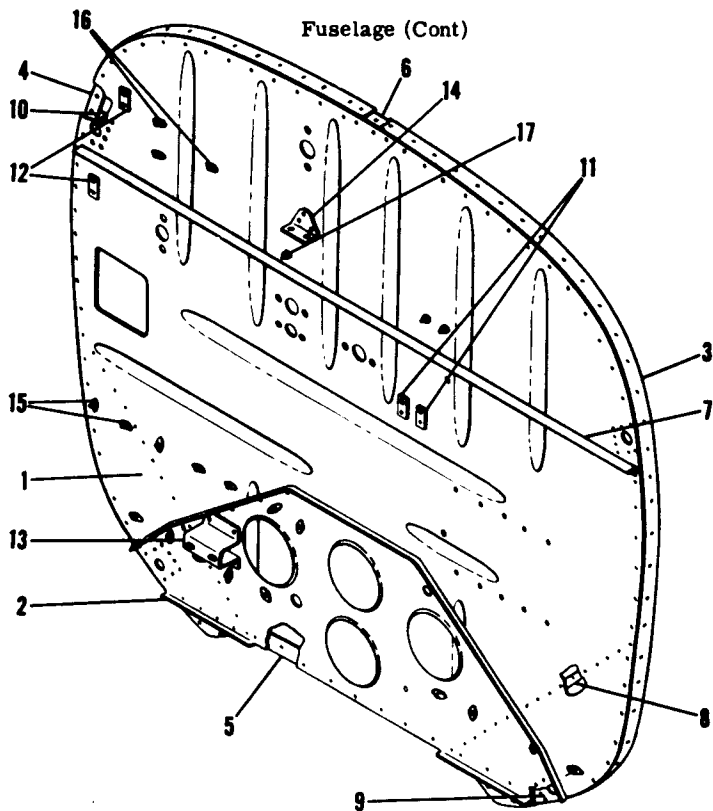
**172 SERIAL
17247747
THRU 17249544**

Figure 23A. Battery Box Installation

FIGURE AND INDEX NO.	PART NUMBER	DESCRIPTION	UNITS PER ASSY	USABLE ON CODE
23A--		1 2 3 4 5 6 7 BOX INSTALLATION-BATTERY -----	NP	A
	0513011-11	BOX ASSEMBLY-BATTERY -----	1	
- 1	0513310-7	ATTACHING PARTS -----		
- 2	0513310-8	BRACKET-BATTERY BOX UPPER -----	1	
		BRACKET-BATTERY BOX LOWER -----	1	
- 3	0413307-21	LID ASSEMBLY-BATTERY BOX -----	1	
		ATTACHING PARTS -----		
- 4	AN415-2	PIN -----	2	
- 5	0413307-4	SEAL-LID REAR -----	1	
- 6	0413307-8	SEAL-LID FORWARD -----	1	
- 7	0413307-5	SPACER-LID -----	2	
- 8	0413307-6	INSULATOR-LID -----	2	
- 9	0413307-7	INSULATOR-LID -----	2	
- 10	MS35489-12	GROMMET -----	2	
- 11	0413307-18	SPOTWELD ASSEMBLY-BATTERY BOX -----	1	
- 12	S-51-6	HOSE 2.25 IN LG BULK ITEM REF S-51-6-9 -----	1	
		ATTACHING PARTS -----		
- 13	A3122-12-1	CLAMP TIN -----	2	
- 14	0500106-303	LINE-BATTERY BOX DRAIN -----	1	
		ATTACHING PARTS -----		
- 15	A2980A-6-27	CLAMP TIN -----	1	
- 16	S-10212-8-6	SCREW CESSNA STANDARD -----	1	
- 17	NAS446-4-3	NUT -----	1	

		A---172 SERIAL 17247747 THRU 17249544		

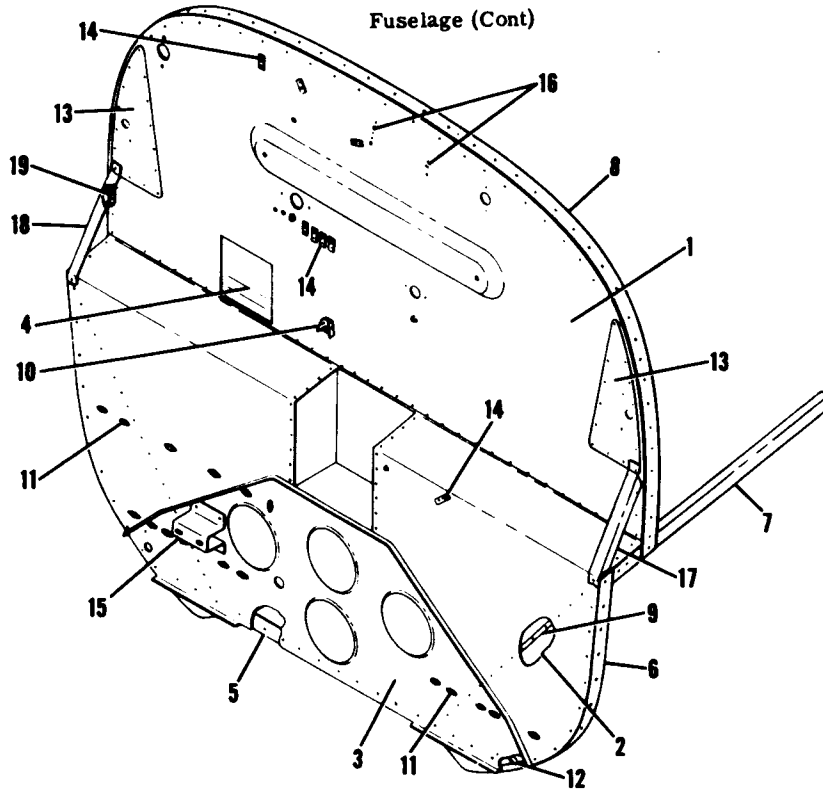
This page intentionally left blank.



172 SERIAL 28000 THRU 47746

Figure 24. Firewall Assembly

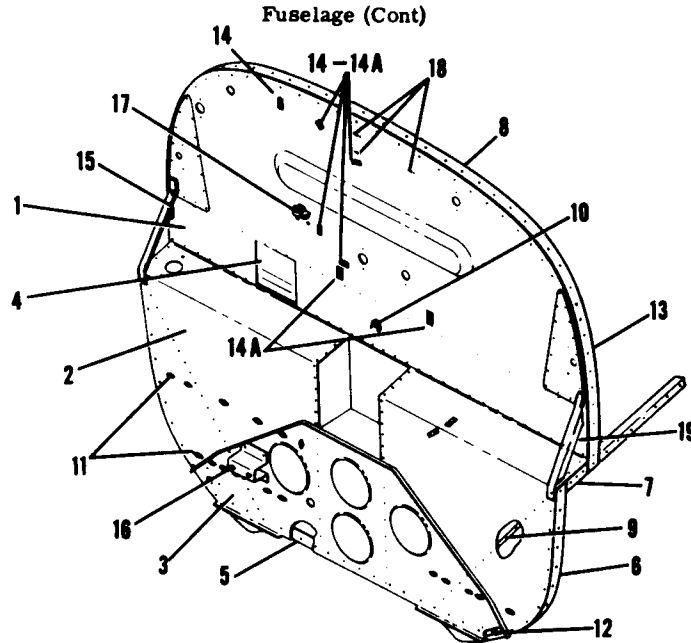
FIGURE AND INDEX NO.	PART NUMBER	DESCRIPTION	UNITS PER ASSY	USABLE ON CODE
		1 2 3 4 5 6 7		
24-	0591301-2	FIREWALL ASSEMBLY -----	1	A
	0591301-9	FIREWALL ASSEMBLY -----	1	B
	0591301-15	FIREWALL ASSEMBLY -----	1	C
- 1	0513101-9	SHEET-FIREWALL -----	1	
- 2	0513128-2	REINFORCEMENT -----	1	
- 3	0513102	ANGLE LH -----	1	
- 4	0513102-1	ANGLE RH -----	1	
- 5	0513103	ANGLE-LOWER -----	1	
- 6	0513106	ANGLE-SPLICE -----	1	
- 7	0513108-2	ANGLE-REINFORCEMENT -----	1	
- 8	0513049-1	ANGLE-REINFORCEMENT LH -----	1	
	0513049-2	ANGLE-REINFORCEMENT RH -----	1	
- 9	0453110	PLATE-ENGINE MOUNT REINFORCEMENT -----	2	
- 10	0513050	PLATE-ENGINE MOUNT REINFORCEMENT -----	2	
- 11	0513100	DOUBLER -----	2	
- 12	0753000-13	DOUBLER -----	2	
- 13	0513129	BRACKET -----	1	
- 14	0450284	BRACKET -----	1	
- 15	NAS444-5	NUTPLATE TIN A6195-82-3 -----	16	
	S-10212-8-6	SCREW CESSNA STANDARD -----	5	
- 16	NAS680A4	NUTPLATE -----	3	
- 17	AN832-2D	UNION -----	1	
	AN924-2D	ATTACHING PARTS -----	1	
		NUT -----		
		-----*		
S-PART NOS. APPEARING ON THIS PAGE ARE CESSNA STANDARDS.				
A---172 SERIAL 28000 THRU 36965				
B---172 SERIAL 36966 THRU 46754				
C---172 SERIAL 46755 THRU 47746				



172 SERIAL 17247747 THRU 17249544

Figure 24A. Firewall Assembly

FIGURE AND INDEX NO.	PART NUMBER	DESCRIPTION	UNITS PER ASSY	USABLE ON CODE
		1 2 3 4 5 6 7		
24A-	0591302-4	FIREWALL ASSEMBLY -----	1	A
- 1	0513109-38	SHEET-UPPER -----	1	
- 2	0513109-49	SHEET-LOWER -----	1	
- 3	0513109-25	REINFORCEMENT -----	1	
- 4	0513109-2	DUCT ASSEMBLY-HEATER -----	1	
- 5	0513109-9	ANGLE-LOWER -----	1	
- 6	0513109-7	ANGLE-LOWER LH -----	1	
	0513109-11	ANGLE-LOWER RH -----	1	
- 7	0513109-15	ANGLE-LH -----	1	
	0513109-24	ANGLE-RH -----	1	
- 8	0513109-23	ANGLE-UPPER -----	1	
- 9	0513109-12	ANGLE-REINFORCEMENT LH -----	1	
	0513109-8	ANGLE-REINFORCEMENT RH -----	1	
- 10	0450286	CLIP -----	1	
- 11	A-6195-82-3	NUT TIN -----	17	
- 12	0513109-10	SPACER-ENGINE MOUNT REINFRCEMENT -----	4	
- 13	0513109-29	DOUBLER-ENGINE MOUNT REINFORCEMENT -----	2	
- 14	0753000-13	DOUBLER -----	7	
- 15	0513129	BRACKET -----	1	
- 16	NAS680A4	NUTPLATE -----	3	
- 17	0513002-11	STIFFENER-LH -----	1	
- 18	0513002-12	STIFFENER-RH -----	1	
- 19	0413151	BRACKET -----	1	
		A---172 SERIAL 17247747 THRU 17249544		
		NOTE. ITEMS MARKED * ARE SHIPPED AS LOOSE PARTS		



175 SERIAL 55001 THRU 17557119

Figure 25. Firewall Assembly

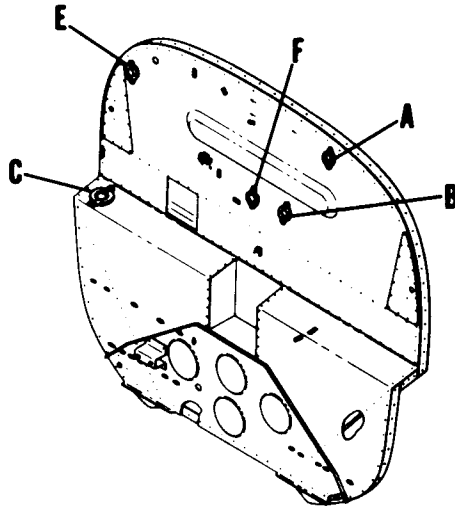
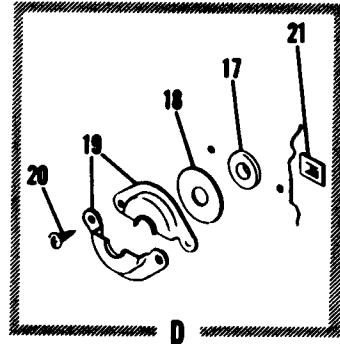
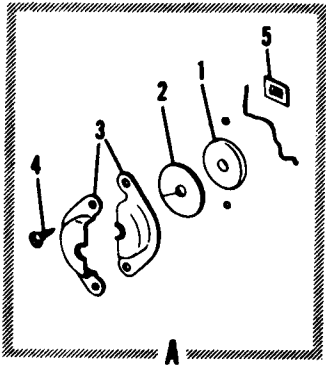
FIGURE AND INDEX NO.	PART NUMBER	DESCRIPTION	UNITS PER ASSY							USABLE ON CODE	
			1	2	3	4	5	6	7		
25-	0591301-7	FIREWALL ASSEMBLY -----								1	A
	0591301-13	FIREWALL ASSEMBLY -----								1	B
	0591302-2	FIREWALL ASSEMBLY -----								1	C
	0591302-6	FIREWALL ASSEMBLY -----								1	E
- 1	0513109-27	SHEET-UPPER -----								1	A
	0513109-44	SHEET-UPPER -----								1	D
	NAS557-6A	GROMMET -----								1	
- 2	0513109-31	SHEET-LOWER -----								1	
- 3	0513109-25	REINFORCEMENT -----								1	
- 4	U513109-2	DUCT ASSEMBLY-HEATER -----								1	C
	U513109-41	HEATER DUCT ASSEMBLY -----								1	E
- 5	0513109-9	ANGLE-LOWER -----								1	
- 6	U513109-7	ANGLE-LOWER LH -----								1	
	0513109-11	ANGLE-LOWER RH -----								1	
- 7	0513109-15	ANGLE-LH -----								1	
	0513109-24	ANGLE-RH -----								1	
- 8	0513109-23	ANGLE-UPPER -----								1	
- 9	0513109-12	ANGLE-REINFORCEMENT LH -----								1	
	0513109-8	ANGLE-REINFORCEMENT RH -----								1	
- 10	0450286	CLIP -----								1	
- 11	NAS444-5	NUT -----								17	
- 12	0513109-10	SPACER-ENGINE MOUNT REINFORCEMENT -----								4	
- 13	0513109-29	DOUBLER-ENGINE MOUNT REINFORCEMENT -----								2	
- 14	0753000-13	DOUBLER -----								8	C
-14A	0753000-13	DOUBLER -----								9	E
- 15	0413151	BRACKET -----								1	C
- 16	0513129	BRACKET -----								1	C
- 17	0450284-1	BRACKET -----								1	A
- 18	NAS680A4	NUTPLATE -----								3	
	S-10212-8-8	SCREW CESSNA STANDARD -----								6	
- 19	0513002-11	STIFFENER-LH -----								1	D
	0513002-12	STIFFENER-RH -----								1	D

A---175 SERIAL 55001 THRU 56238
 B---175 SERIAL 56239 THRU 56777
 C---175 SERIAL 17556778 THRU 17557002
 D---175 SERIAL 56239 THRU 17557119
 E---175 SERIAL 17557003 THRU 17557119

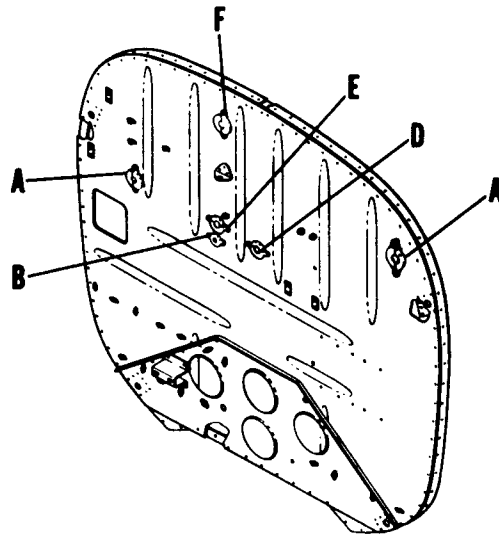
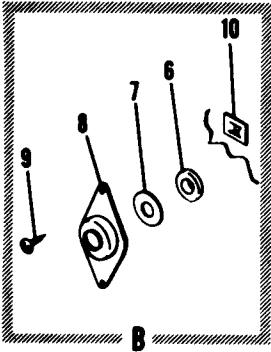
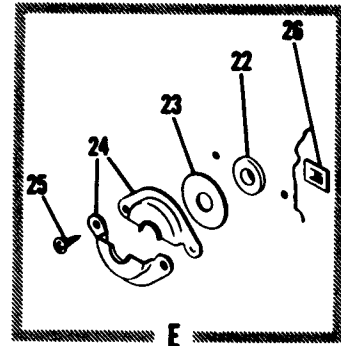
NOTE. ITEMS MARKED * ARE SHIPPED AS LOOSE PARTS

This page intentionally left blank.

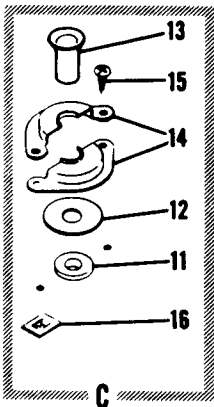
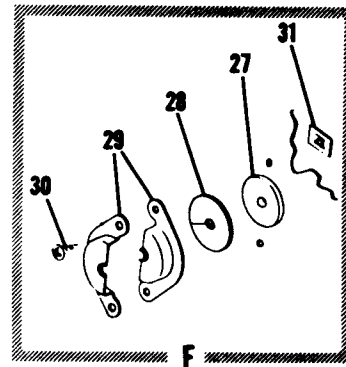
Fuselage (Cont)



MODEL 175



MODEL 172

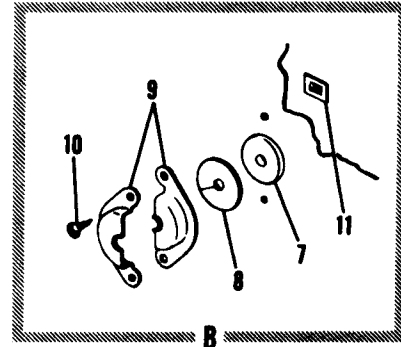
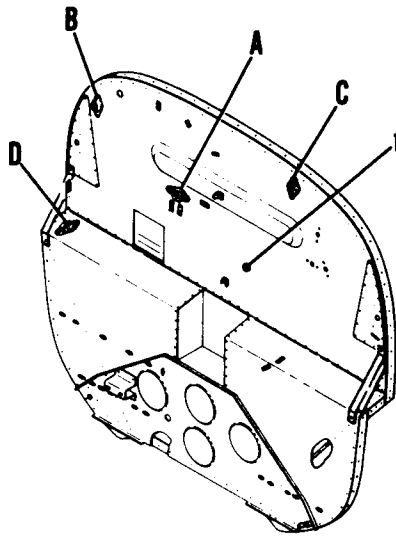
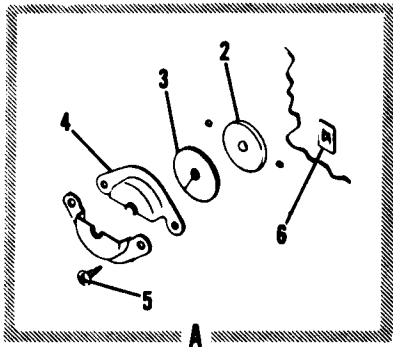


172 SERIAL 28000 THRU 47746
175 SERIAL 55001 THRU 56777

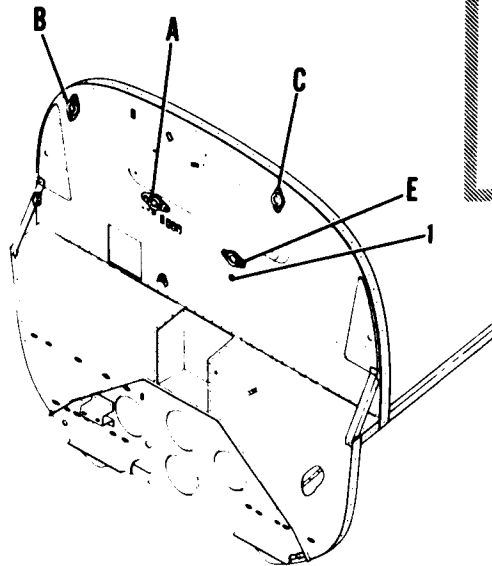
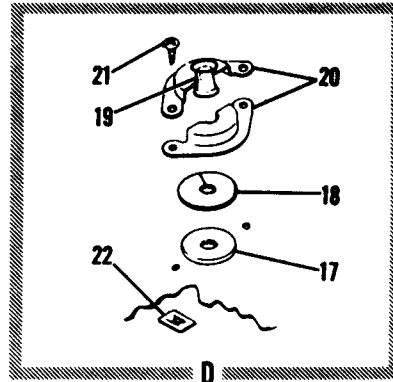
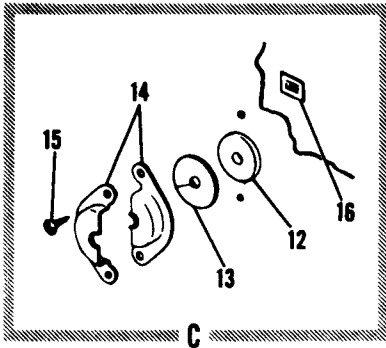
Figure 26. Firewall Grommets Installation

FIGURE AND INDEX NO.	PART NUMBER	DESCRIPTION	UNITS PER ASSY	USABLE ON CODE
		1 2 3 4 5 6 7		
26-		GROMMETS INSTALLATION-FIREWALL -----	NP	
- 1	MS35489-13	GROMMET-WIRING HARNESS -----	1	
- 2	S-354-4	GROMMET-ASBESTOS-----CESSNA STANDARD	1	
- 3	S-353-1	SHIELD-GROMMET CESSNA STANDARD -----	1	
		ATTACHING PARTS		
- 4	S-10212-8-6	SCREW CESSNA STANDARD -----	2	
- 5	NAS446-4-3	NUT TIN A1778-8Z-3 -----	2	
		-----*		
- 6	MS35489-11	GROMMET-THROTTLE CONTROL -----	1	C
- 7	S-354-1	GROMMET-ASBESTOS-----CESSNA STANDARD	1	C
- 8	S-352	SHIELD-GROMMET CESSNA STANDARD -----	1	C
		ATTACHING PARTS		
- 9	S-10212-8-6	SCREW CESSNA STANDARD -----	2	C
- 10	NAS446-4-3	NUT TIN A1778-8Z-3 -----	2	C
		-----*		
- 11	MS35489-20	GROMMET-BATTERY CABLE-----	1	B
- 12	S-354-4	GROMMET-ASBESTOS-----CESSNA STANDARD	1	B
- 13	0713003-51	FAIRLEAD -----	1	B
- 14	S-353-1	SHIELD-GROMMET CESSNA STANDARD -----	1	B
		ATTACHING PARTS		
- 15	S-10212-8-6	SCREW CESSNA STANDARD -----	2	B
- 16	NAS446-4-3	NUT TIN A1778-8Z-3 -----	2	B
		-----*		
- 17	MS35489-118S	GROMMET-MAG P LINE -----	1	A
- 18	S-354-5	GROMMET-ASBESTOS-----CESSNA STANDARD	1	A
- 19	S-353-4	SHIELD-GROMMET CESSNA STANDARD -----	1	A
		ATTACHING PARTS		
- 20	S-10212-8-6	SCREW CESSNA STANDARD -----	2	A
- 21	NAS446-4-3	NUT TIN A1778-8Z-3 -----	2	A
		-----*		
- 22	MS35489-8S	GROMMET-OIL TEMPERATURE GAGE LINE -----	1	
- 23	S-354-5	GROMMET-ASBESTOS-----CESSNA STANDARD	1	
- 24	S-353-2	SHIELD-GROMMET CESSNA STANDARD -----	1	
		ATTACHING PARTS		
- 25	S-10212-8-6	SCREW CESSNA STANDARD -----	2	
- 26	NAS446-4-3	NUT TIN A1778-8Z-3 -----	2	
		-----*		
- 27	MS35489-8S	GROMMET-TACHOMETER SHAFT -----	1	
- 28	S-354-5	GROMMET-ASBESTOS-----CESSNA STANDARD	1	
- 29	S-353-4	SHIELD-GROMMET CESSNA STANDARD -----	1	
		ATTACHING PARTS		
- 30	S-10212-8-6	SCREW CESSNA STANDARD -----	2	
- 31	NAS446-4-3	NUT TIN A1778-8Z-3 -----	2	
		-----*		
		A---172 SERIAL 28000 THRU 47746		
		B---175 SERIAL 55001 THRU 56777		
		C---172 SERIAL 28000 THRU 36965		
		175 SERIAL 55001 THRU 56777		

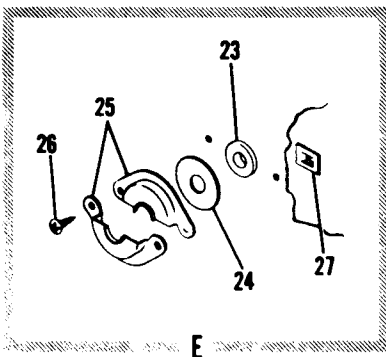
Fuselage (Cont)



MODEL 175



MODEL 172

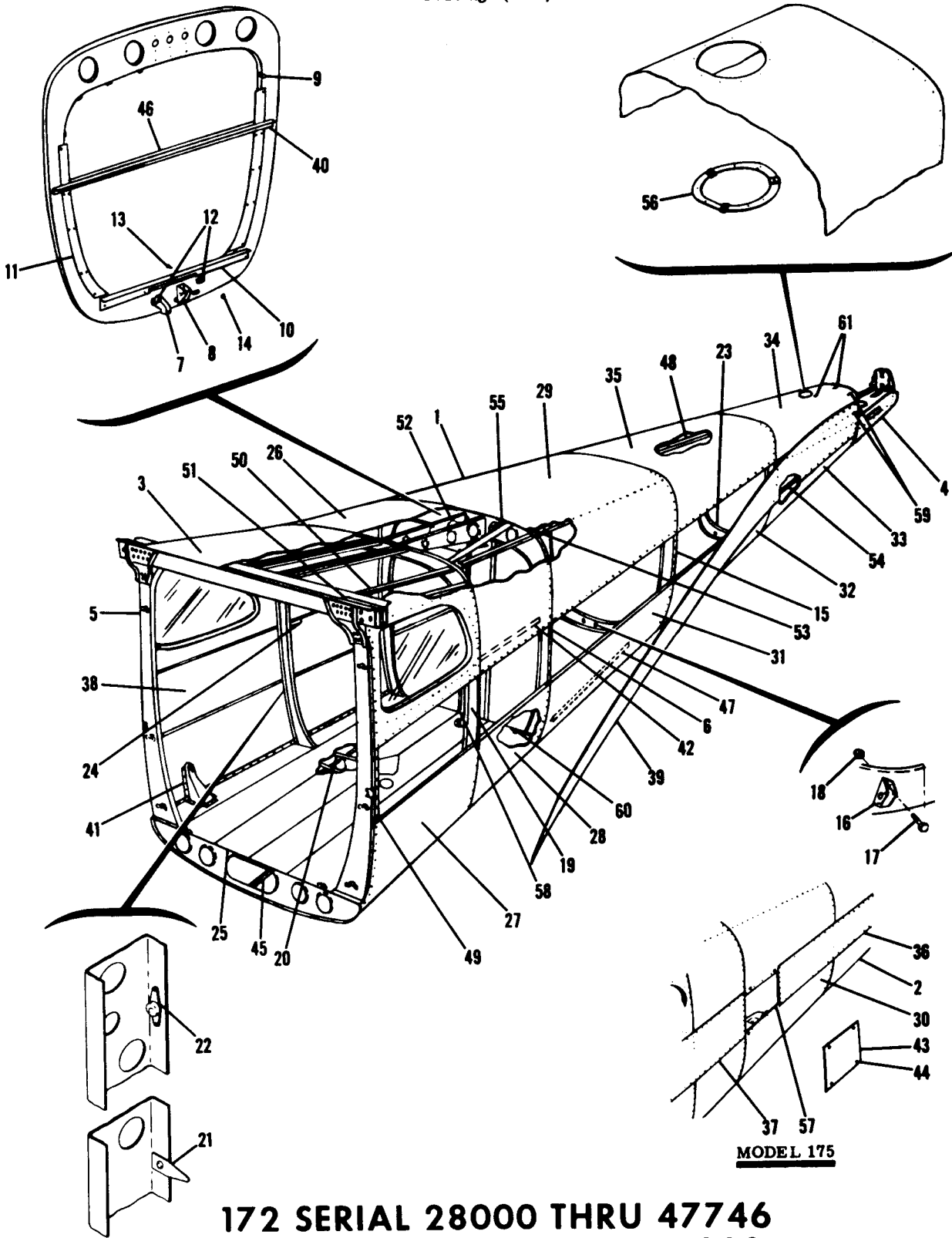


172 SERIAL 17247747 THRU 17249544
175 SERIAL 17556778 THRU 17557119

Figure 26A. Firewall Grommets Installation

FIGURE AND INDEX NO.	PART NUMBER	DESCRIPTION	UNITS PER ASSY	USABLE ON CODE
		1 2 3 4 5 6 7		
26A-		GROMMETS INSTALLATION-FIREWALL -----	NP	A
- 1	NAS557-6A	GROMMET-THROTTLE CONTROL -----	1	
- 2	MS35489-8S	GROMMET-TACHOMETER SHAFT -----	1	F
	NAS557-4A	GROMMET-TACHOMETER SHAFT -----	1	G
- 3	S-354-5	GROMMET-ASBESTOS -----	1	F
- 4	S-353-4	GROMMET-ASBESTOS -----	1	G
	S-1095-2	GROMMET-ASBESTOS -----	2	F
		SHIELD-GROMMET -----	2	G
		SHIELD HALF -----		
		ATTACHING PARTS		
- 5	S-10212-8-6	SCREW -----	1	
- 6	NAS446-4-3	NUT -----	1	
		-----*		
- 7	MS35489-8S	GROMMET-OIL TEMPERATURE GAGE LINE --	1	F
	NAS557-3A	GROMMET-OIL TEMPERATURE GAGE LINE --	1	G
- 8	S-354-5	GROMMET-ASBESTOS -----	1	F
- 9	S-353-2	GROMMET-ASBESTOS -----	1	F
	S-1095-1	GROMMET-ASBESTOS -----	2	F
		SHIELD-GROMMET -----	2	G
		SHIELD HALF -----		
		ATTACHING PARTS		
- 10	S-10212-8-6	SCREW -----	1	
- 11	NAS446-4-3	NUT -----	1	
		-----*		
- 12	MS35489-13	GROMMET-WIRING HARNESS -----	1	F
	NAS557-12A	GROMMET-WIRING HARNESS -----	1	G
- 13	S-354-4	GROMMET-ASBESTOS -----	1	F
- 14	S-353-1	GROMMET-ASBESTOS -----	2	F
	S-1095-6	GROMMET-ASBESTOS -----	2	G
		SHIELD-GROMMET -----		
		SHIELD HALF -----		
		ATTACHING PARTS		
- 15	S-10212-8-6	SCREW -----	1	
- 16	NAS446-4-3	NUT -----	1	
		-----*		
- 17	MS35489-20	GROMMET-BATTERY CABLE-----	1	B
- 18	S-354-4	GROMMET-ASBESTOS-----	1	B
- 19	0713003-51	FAIRLEAD -----	1	H
- 20	S-353-1	SHIELD-GROMMET -----	2	B
	S-1095-4	SHIELD-GROMMET -----	2	D
		SHIELD HALF -----		
		ATTACHING PARTS		
- 21	S-10212-8-6	SCREW -----	2	
- 22	NAS446-4-3	NUT -----	2	
		-----*		
- 23	MS35489-118S	GROMMET-MAG P LINE -----	1	C
	NAS557-6A	GROMMET-MAG P LINE -----	1	E
- 24	S-354-5	GROMMET-ASBESTOS-----	1	C
- 25	S-353-4	GROMMET-ASBESTOS-----	2	C
	S-1095-3	GROMMET-ASBESTOS-----	2	E
		SHIELD-GROMMET -----		
		SHIELD HALF -----		
		ATTACHING PARTS		
- 26	S-10212-8-8	SCREW -----	2	
- 27	NAS446-4-3	NUT -----	2	
		-----*		
		A---175 SERIAL 17556778 THRU 17557119		
		172 SERIAL 17247747 THRU 17249544		
		B---175 SERIAL 17556778 THRU 17557002		
		C---172 SERIAL 17247747 THRU 17248734		
		D---175 SERIAL 17557003 THRU 17557119		
		E---172 SERIAL 17248735 THRU 17249544		
		F---172 SERIAL 17247747 THRU 17248734		
		175 SERIAL 17556778 THRU 17557002		
		G---172 SERIAL 17248735 THRU 17249544		
		175 SERIAL 17557003 THRU 17557119		
		H---175 SERIAL 17556778 THRU 17557119		

Fuselage (Cont)



172 SERIAL 28000 THRU 47746
175 SERIAL 55001 THRU 56238

Figure 27. Fuselage Aft Section Assembly



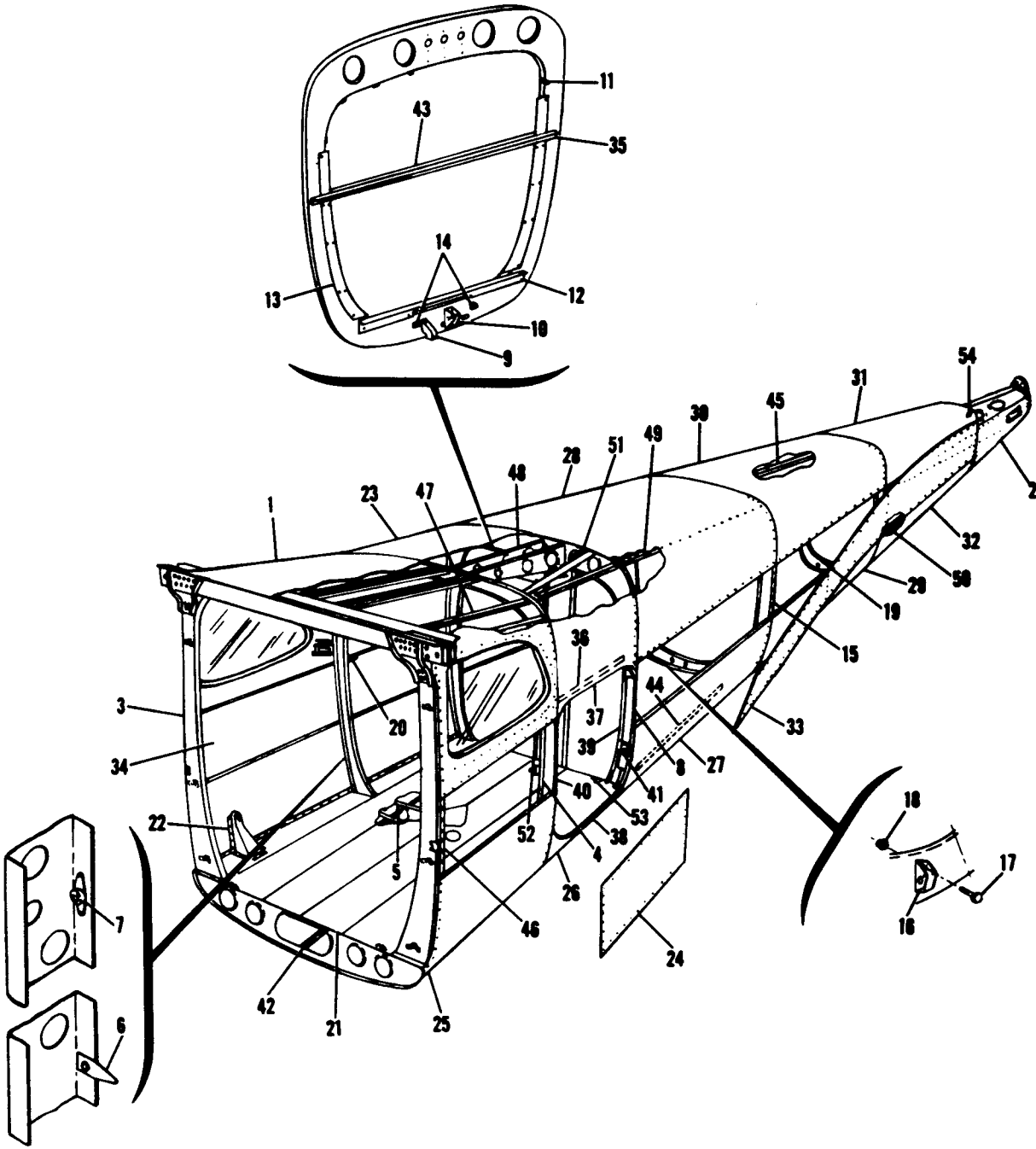
FIGURE AND INDEX NO.	PART NUMBER	DESCRIPTION	UNITS PER ASSY	USABLE ON CODE
27- 1	0591201-1	AFT SECTION ASSEMBLY-FUSELAGE	1	C
	0512008-7	AFT SECTION ASSEMBLY-FUSELAGE	1	D
- 2	0591201-4	AFT SECTION ASSEMBLY-FUSELAGE	1	B
		BOX INSTALLATION-BATTERY SEE FIGURE 23	1	B
- 3	0591201-2	SKIN ASSEMBLY-FUSELAGE TOP--- SEE FIGURE 30	1	
- 4	0591201-3	TAILCONE ASSEMBLY-AFT---SEE FIGURE 31	1	C
	0512008-2	TAILCONE ASSEMBLY-AFT---SEE FIGURE 31	1	D
- 5	0512124-21	BULKHEAD ASSY-FUSELAGE AFT SECTION STA 65.33 SEE FIG 28	1	
- 6	0512121-5	BULKHEAD ASSEMBLY-FUSELAGE AFT SECTION STA 108.00	1	
- 7	0412467	PULLEY BRACKET-ELEVATOR TAB	1	
- 8	0510164	PULLEY BRACKET-ELEVATOR	1	
- 9	0511132	CLIP	11	
- 10	0511149-1	RETAINER	1	
- 11	0512121-6	PLATE	2	
- 12	0512160-2	BRACKET	2	
		ATTACHING PARTS		
- 13	AN3-3A	BOLT	2	
- 14	MS20365-1032C	NUT	2	
		-----*		
- 15	0512111-9	BULKHEAD ASSEMBLY-FUSELAGE AFT SECTION STA 140.00	1	
- 16	0512160-3	BRACKET-RUDDER CABLE PULLEY	2	
		ATTACHING PARTS		
- 17	AN520-10R7	SCREW	2	
- 18	MS20365-1032C	NUT	2	
		-----*		
	0512111-10	RUB STRIP	1	
- 19	0512113	BULKHEAD ASSEMBLY-FUSELAGE AFT SECTION STA 90.00	1	
- 20	0512113-7	ANGLE-REINFORCEMENT	1	
- 21	0511176	CLIP	4	
- 22	NAS680A3	NUTPLATE	1	
- 23	0512110-6	BULKHEAD ASSEMBLY-AFT SECTION FUSELAGE STA 172.00	1	C
	0512110-7	BULKHEAD ASSEMBLY-AFT SECTION FUSELAGE STA 172.0	1	D
	NAS680A3	NUTPLATE	2	
- 24	0511285-4	BULKHEAD ASSEMBLY-REAR SEAT CATCH RH	1	
	0511285-3	BULKHEAD ASSEMBLY-REAR SEAT CATCH LH	1	
	NAS680A3	NUTPLATE	2	
- 25	0512107-35	FLOORBOARD ASSEMBLY-FUSELAGE REAR	1	
- 26	0512000-73	SKIN-AFT SECTION FUSELAGE UPPER STA 90.00 TO 108.00	1	
- 27	0512001-17	SKIN-AFT SECTION FUSELAGE LOWER STA 65.33 TO 90.00	1	
- 28	0512000-7	SKIN-AFT SECTION FUSELAGE LOWER STA 90.00 TO 108.00	1	
- 29	0512000-8	SKIN-AFT SECTION FUSELAGE UPPER STA 108.00 TO 140.00	1	
- 30	0512001-21	SKIN-AFT SECTION FUSELAGE LOWER STA 108.00 TO 140.00	1	B
- 31	0512000-9	SKIN-AFT SECTION FUSELAGE LOWER STA 108.00 TO 140.00	1	A
- 32	0512000-28	SKIN-AFT SECTION FUSELAGE LOWER STA 140.00 TO 172.00	1	
- 33	0512001-3	SKIN-AFT SECTION FUSELAGE LOWER STA 172.00 TO 205.812	1	
- 34	0512001-4	SKIN-AFT SECTION FUSELAGE UPPER STA 172.00 TO 205.812	1	C
	0512008-6	SKIN-AFT SECTION FUSELAGE UPPER STA 172.00 TO 205.812	1	D
- 35	0512001-6	SKIN-AFT SECTION FUSELAGE UPPER STA 140.00 TO 172.00	1	
- 36	0512001-19	SPLICE PLATE	1	B
- 37	0512001-20	SPLICE PLATE	1	B
- 38	0512001-5	SPLICE PLATE-RH	1	B
- 39	0512001-5	SPLICE PLATE	2	C
	0512001-5	SPLICE PLATE-LH	1	D
	0512008-3	SPLICE PLATE ASSEMBLY-RH	1	D
- 40	0511145	SUPPORT ASSEMBLY-INTERIOR TRIM	1	
- 41	0511312-1	BRACKET ASSEMBLY-REAR SEAT ATTACHMENT	2	
- 42	0511146	RETAINER ASSEMBLY-UPHOLSTERY	2	
- 43	0512002-1	DOOR ASSEMBLY-BATTERY ACCESS	1	B
- 44	2600-3W	STUD---CLC	4	
	2600-SW2	WASHER CLC	4	
- 45	0512000-20	ANGLE-FUSELAGE REINFORCEMENT STA 65.33 TO 90.00	3	
- 46	0512148	ANGLE-BAGGAGE SHELF	1	
- 47	0770048-1	ANGLE-RADIO INSTALLATION STA 140.00	1	
- 48	0512001-12	ANGLE	1	
- 49	0512001-15	ANGLE-LH	1	
	0512001-16	ANGLE-RH	1	
- 50	0512145	ANGLE-LH	1	
	0512145-1	ANGLE-RH	1	
		ATTACHING PARTS		
- 51	0512151	CLIP	2	
		-----*		

CONTINUED ON PAGE 72

FIGURE AND INDEX NO.	PART NUMBER	DESCRIPTION	UNITS PER ASSY	USABLE ON CODE
27- 52	0512000-18	STIFFENER -----	4	
- 53	0512000-19	STIFFENER -----	3	
- 54	0512001-11	STIFFENER -----	1	
- 55	0511232-4	STRAP-SHOULDER HARNESS REINFORCEMENT -----	2	
- 56	S-237-2	DOUBLER CESSNA STANDARD -----	1	
	NAS395-14-3	NUT -----	3	
- 57	212-12	RECEPTICAL CLC -----	4	
- 58	0413181-1	CLIP -----	8	
	MS35489-33	GROMMET -----	5	
- 59	NAS444-5	NUT -----	4	
- 60	NAS680A4	NUT -----	4	
- 61	NAS680A3	NUT -----	4	
		A---172 SERIAL 28000 THRU 47746		
		B---175 SERIAL 55001 THRU 56238		
		C---172 SERIAL 28000 THRU 46754		
		D---172 SERIAL 46755 THRU 47746		

This page intentionally left blank.

Fuselage (Cont)

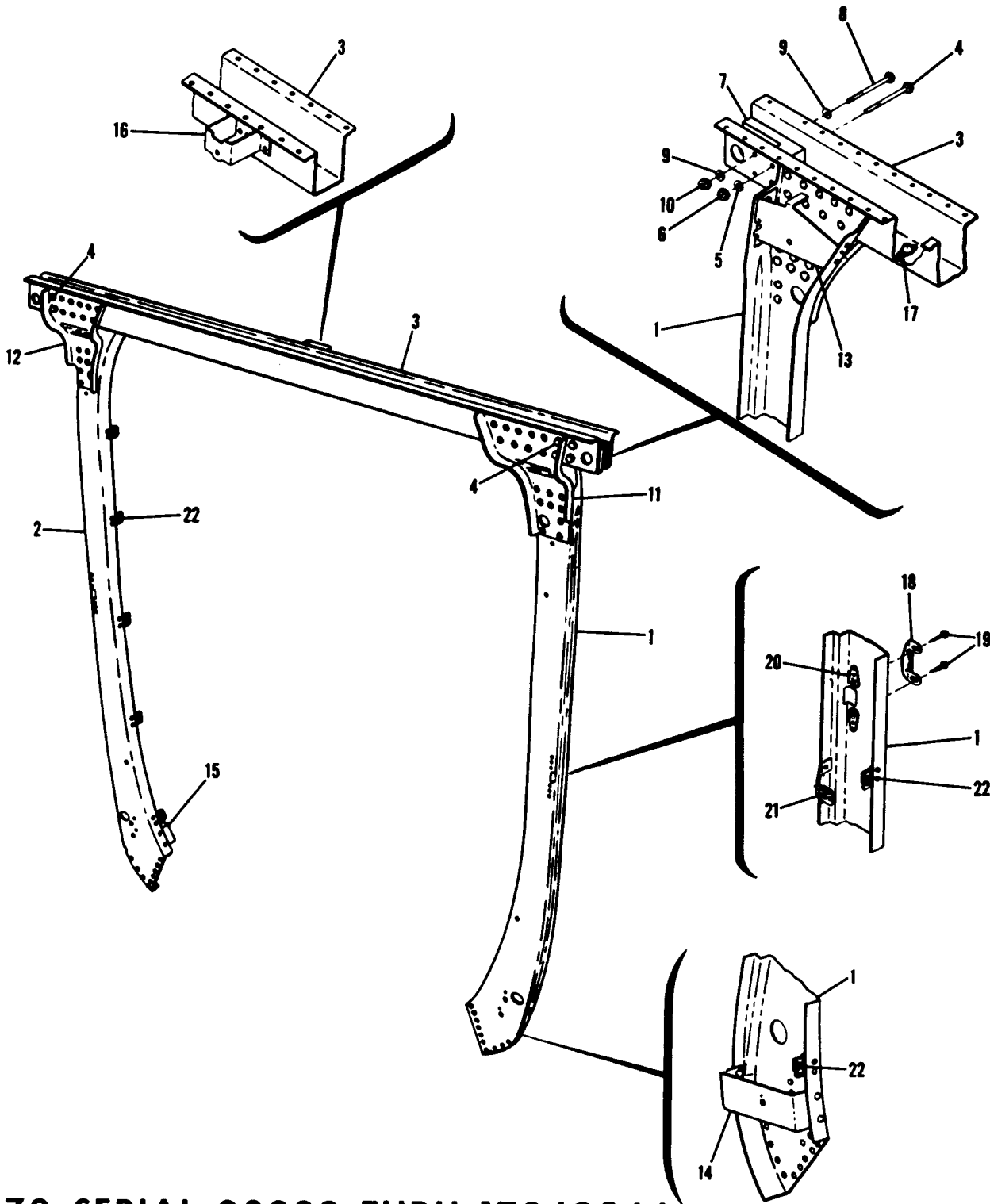


172 SERIAL 17247747 THRU 17249544
175 SERIAL 56239 THRU 17557119

Figure 27A. Fuselage Aft Section Assembly

FIGURE AND INDEX NO.	PART NUMBER	DESCRIPTION	UNITS PER ASSY	USABLE ON CODE
		1 2 3 4 5 6 7		
27A--	0512009-7	AFT SECTION ASSEMBLY-FUSELAGE	1	A
	0512009-9	AFT SECTION ASSEMBLY-FUSELAGE	1	B
		BOX INSTALLATION-BATTERY SEE FIGURE 23	1	A
- 1	0591201-2	SKIN ASSEMBLY-FUSELAGE TOP--- SEE FIGURE 30	1	
- 2	0512008-2	TAILCONE ASSEMBLY-AFT---SEE FIGURE 31	1	
- 3	0512124-21	BULKHEAD ASSY-FUSELAGE AFT SECTION STA 65.33 SEE FIG 28	1	
- 4	0512113-9	BULKHEAD ASSEMBLY-FUSELAGE AFT SECTION STA 90.00	1	
- 5	0512113-7	ANGLE-REINFORCEMENT	1	
- 6	0511176	CLIP	4	
- 7	NAS68A3	NUTPLATE	1	
- 8	0512121-5	BULKHEAD ASSEMBLY-FUSELAGE AFT SECTION STA 108.00	1	
- 9	0412467	PULLEY BRACKET-ELEVATOR TAB	1	
- 10	0510164	PULLEY BRACKET-ELEVATOR	1	
- 11	0511132	CLIP	9	
- 12	0511149-1	RETAINER	1	
- 13	0512121-6	PLATE	2	
- 14	0512160-2	BRACKET	2	
		172 SERIAL		
		17247747 THRU 17249544		
		175 SERIAL		
		56239 THRU 17557119		
	AN3-3A	BOLT	2	
	MS20365-1032C	NUT	2	
- 15	0512111-9	BULKHEAD ASSEMBLY-FUSELAGE AFT SECTION STA 140.00	1	
- 16	0512160-3	BRACKET-RUDDER CABLE PULLEY	2	
		ATTACHING PARTS		
- 17	AN520-10R7	SCREW	2	
- 18	MS20365-1032C	NUT	2	
		---*---		
	0512111-10	RUB STRIP	1	
- 19	0512110-7	BULKHEAD ASSEMBLY-FUSELAGE AFT SECTION STA 172.00	1	
- 20	0511285-4	BULKHEAD ASSEMBLY-REAR SEAT CATCH RH	1	
	0511285-3	BULKHEAD ASSEMBLY-REAR SEAT CATCH LH	1	
- 21	0512107-37	FLOORBOARD ASSEMBLY	1	
- 22	0511312-1	BRACKET ASSEMBLY-REAR SEAT ATTACHMENT	2	
- 23	0512009-5	SKIN-UPPER STA 90.00 TO 108.00	1	
- 24	0512009-3	SKIN SPLICE-LH STA 65.33 TO 90.00	1	
- 25	0512009-2	SKIN-LOWER STA 65.33 TO 90.00	1	
- 26	0512009-4	SKIN-LOWER STA 90.00 TO 108.00	1	
- 27	0512001-21	SKIN-LOWER STA. 108.00 TO 140.00	1	
	0512000-9	SKIN-LOWER STA 108.00 TO 140.00	1	
- 28	0512000-8	SKIN-UPPER STA 108.00 TO 140.00	1	
- 29	0512000-28	SKIN-LOWER STA 140.00 TO 172.00	1	
- 30	0512001-6	SKIN-UPPER STA 140.00 TO 172.00	1	
- 31	0512008-6	SKIN-UPPER STA 172.00 TO 205.812	1	
- 32	0512001-3	SKIN-LOWER STA 172.00 TO 205.812	1	
- 33	0512009-6	SKIN SPLICE-LH STA 108.00 TO 205.812	1	
- 34	0512008-3	SKIN SPLICE-RH STA 65.33 TO 205.812	1	
	S-237-2	DOUBLER CESSNA STANDARD	1	
- 35	0511145	SUPPORT ASSEMBLY-INTERIOR TRIM	1	
- 36	0511146	RETAINER ASSEMBLY-UPHOLSTERY	2	
- 37	0711101-27	JAMB ASSEMBLY-BAGGAGE DOOR UPPER	1	
- 38	0711101-8	JAMB-BAGGAGE DOOR LOWER	1	
- 39	0711101-6	STOP-BAGGAGE DOOR AFT	1	
- 40	0711101-4	STOP-BAGGAGE DOOR FORWARD	1	
- 41	0311319-1	PLATE-DOOR LATCH	1	
		ATTACHING PARTS		
	AN515-8R6	SCREW	2	
		---*---		
	0611319-2	SHIM	1	
- 42	0512000-20	ANGLE-FUSELAGE REINFORCEMENT STA 65.33 TO 90.00	3	
- 43	0512148	ANGLE-BAGGAGE SHELF	1	
- 44	0770048-1	ANGLE-RADIO INSTALLATION	1	
- 45	0512001-12	ANGLE	1	
- 46	0512001-15	ANGLE-LH	1	
	0512001-16	ANGLE-RH	1	
- 47	0512145	ANGLE-LH	1	
	0512145-1	ANGLE-RH	1	
		ATTACHING PARTS		
	0512151	CLIP	2	
		---*---		
- 48	0512000-18	STIFFENER	4	
- 49	0512000-19	STIFFENER	3	
- 50	0512001-11	STIFFENER	1	
- 51	0511232-4	STRAP-SHOULDER HARNESS REINFORCEMENT	2	
- 52	0413181-1	CLIP	8	
- 53	NAS680A4	NUT	2	
- 54	NAS444-5	NUT	4	
		A---175 SERIAL 56239 THRU 17557119		
		B---172 SERIAL 17247747 THRU 17249544		

Fuselage (Cont)



172 SERIAL 28000 THRU 17249544
175 SERIAL 55001 THRU 17557119

Figure 28. Fuselage Bulkhead Assembly Sta. 65.33

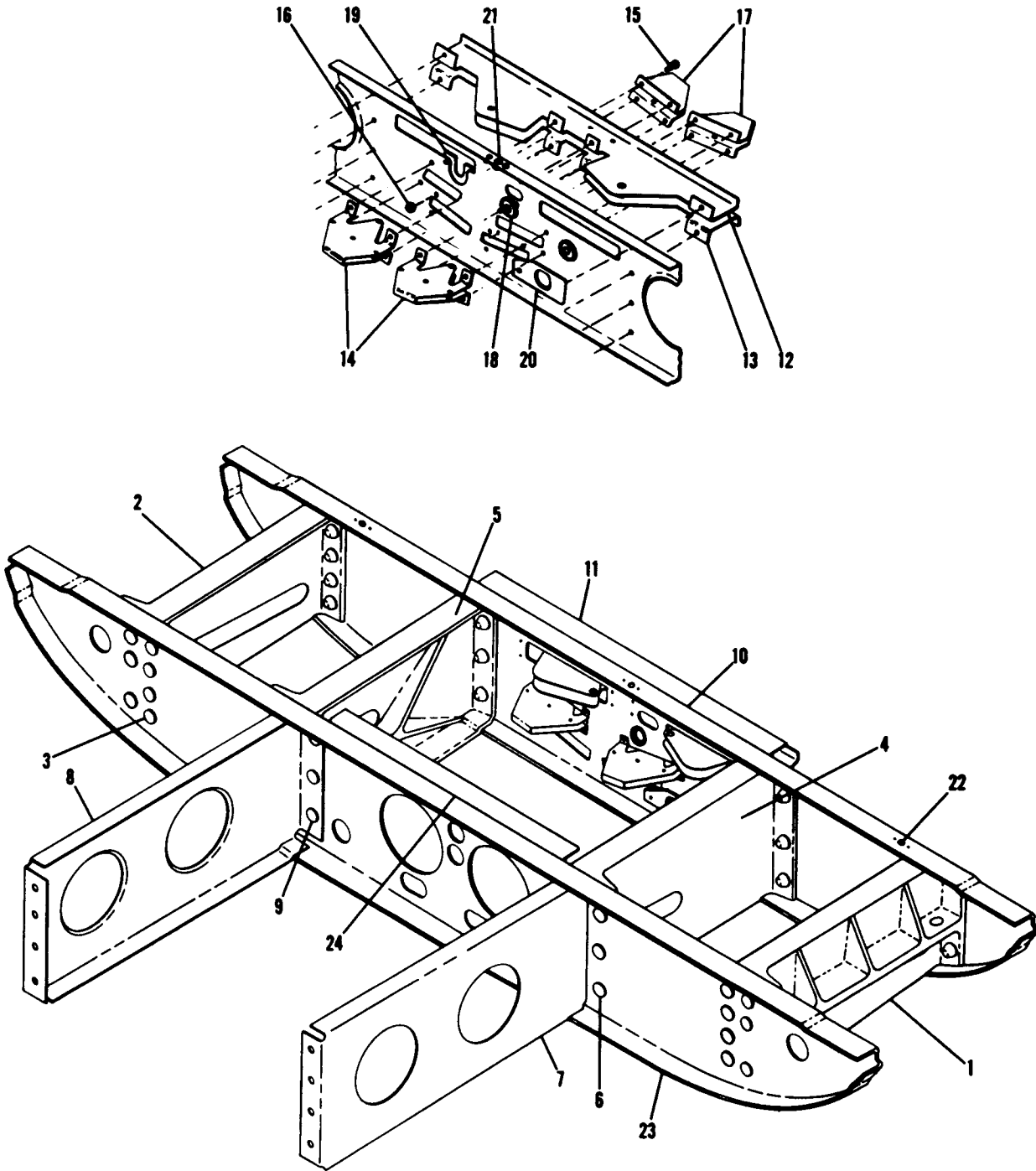
FIGURE AND INDEX NO.	PART NUMBER	DESCRIPTION	UNITS PER ASSY	USABLE ON CODE
28-		BULKHEAD ASSEMBLY-FUSELAGE STA 65.33	1	
- 1	0512124-21	CHANNEL-LH	1	A
	0512124-19	CHANNEL-LH	1	B
	0512124-35	CHANNEL-LH	1	A
- 2	0512124-20	CHANNEL-RH	1	B
	0512124-36	CHANNEL-RH	1	
- 3	0512124-6	SPAR-CENTER SECTION ATTACHING PARTS	1	
- 4	AN3-20A	BOLT	4	
- 5	AN960-10	WASHER	8	
- 6	MS20365-1032C	NUT	4	

- 7	0512122	BLOCK-BEARING ATTACHING PARTS	2	
- 8	AN3-20A	BOLT	2	
- 9	AN960-10	WASHER	4	
- 10	MS20365-1032C	NUT	2	

- 11	0512124-8	PLATE-SPLICE LH	1	
- 12	0512124-9	PLATE-SPLICE RH	1	
- 13	0512139	BRACKET-AILERON UPPER PULLEY LH	1	A
	0512139-3	BRACKET-AILERON UPPER PULLEY LH	1	B
	0512139-1	BRACKET-AILERON UPPER PULLEY RH	1	A
	0512139-2	BRACKET-AILERON UPPER PULLEY RH	1	B
- 14	0512134	BRACKET-PULLEY LH	1	
- 15	0512134-1	BRACKET-PULLEY RH	1	
- 16	0512137	BRACKET-PULLEY	1	
- 17	NAS682A08	NUT	3	
- 18	0411582	STRIKE PLATE ATTACHING PARTS	2	
- 19	AN515-8R8	SCREW	2	
- 20	NAS682A08	NUT EN	2	

- 21	0511185	CLIP	2	
- 22	0512150	CLIP	10	
	NAS395-6-3	NUT TIN A1784-6Z-3	12	
		A---172 SERIAL 28000 THRU 47279		
		175 SERIAL 55001 THRU 56535		
		B---172 SERIAL 47280 THRU 17249544		
		175 SERIAL 56536 THRU 17557119		

Fuselage (Cont)

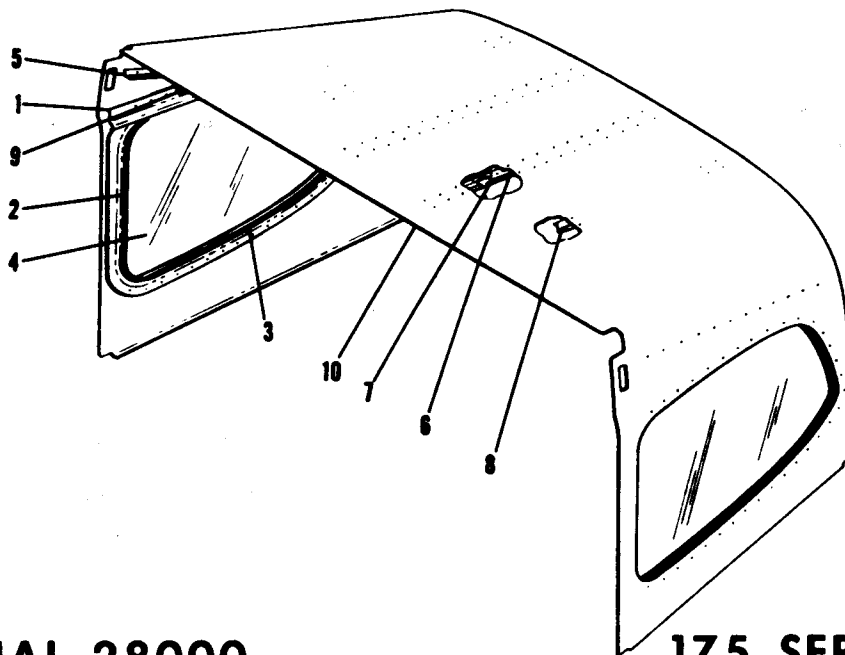


172 SERIAL 28000 THRU 17249544
175 SERIAL 55001 THRU 17557119

Figure 29. Landing Gear Bulkhead Assembly Sta. 44.00 to 65.33

FIGURE AND INDEX NO.	PART NUMBER	DESCRIPTION	UNITS PER ASSY	USABLE ON CODE
		1 2 3 4 5 6 7		
29-		BULKHEAD ASSEMBLY-LANDING GEAR STA 44.00 TO 65.33 -----	1	
- 1	0511289-4	SUPPORT-OUTBOARD LH -----	1	
- 2	0541121-1	SUPPORT-OUTBOARD RH -----	1	
	0541121-2	ATTACHING PARTS		
- 3	NAS178-8-6	RIVET-HI SHEAR -----	12	
	NAS179-8	COLLAR-----	12	
		-----*		
- 4	0541122-1	SUPPORT-INBOARD LH -----	1	
- 5	0541122-2	SUPPORT-INBOARD RH -----	1	
		ATTACHING PARTS		
- 6	NAS178-8-6	RIVET-HI SHEAR -----	9	
	NAS179-8	COLLAR-----	9	
		-----*		
- 7	0511288-1	BULKHEAD-LH-----	1	
- 8	0511288-2	BULKHEAD-RH-----	1	
		ATTACHING PARTS		
- 9	NAS178-8-7	RIVET-HI SHEAR -----	3	
	NAS179-8	COLLAR-----	3	
		-----*		
- 10	0511287	BULKHEAD-LANDING GEAR STA 65.33 -----	1	
- 11	0511289-2	ANGLE-BULKHEAD REINFORCEMENT -----	1	
- 12	0512132-6	BRACKET ASSEMBLY-AILERON PULLEY UPPER -----	1	
- 13	0512132-1	BRACKET ASSEMBLY-AILERON PULLEY LOWER -----	1	
- 14	0512128	BRACKET-FLAP PULLEY -----	2	
		ATTACHING PARTS		
- 15	AN520-10R7	SCREW -----	4	
- 16	MS20365-1032C	NUT -----	4	
		-----*		
- 17	0512129	BRACKET-FLAP PULLEY -----	2	
- 18	S-338-7	BUSHING CESSNA STANDARD -----	4	
		ATTACHING PARTS		
	S-339-2	CLIP CESSNA STANDARD -----	2	
		-----*		
- 19	0512152	RUB STRIP -----	1	
- 20	0512124-15	FAIRLEAD -----	1	
- 21	0511289-1	BLOCK -----	1	
	NAS680A3	NUTPLATE -----	1	
	NAS680A4	NUTPLATE -----	2	
- 22	0511281	BULKHEAD-LANDING GEAR STA 56.70 -----	1	
- 23	0511289-3	ANGLE-BULKHEAD REINFORCEMENT -----	1	
- 24				

Fuselage (Cont)



172 SERIAL 28000
THRU 17249544

175 SERIAL 55001
THRU 17557119

Figure 30. Fuselage Top Skin Assembly Sta. 65.33 to 90.00

FIGURE AND INDEX NO.	PART NUMBER	DESCRIPTION	UNITS PER ASSY	USABLE ON CODE		
					1	2
30-	0591201-2	SKIN ASSEMBLY-FUSELAGE TOP STA 65.33 TO 90.00 -----	1			
- 1	0512155-6	RETAINER-WINDOW TRIM UPPER RH -----	1			
	0512155-5	RETAINER-WINDOW TRIM UPPER LH -----	1			
- 2	0512155-4	RETAINER-WINDOW TRIM RH -----	1			
	0512155-3	RETAINER-WINDOW TRIM LH -----	1			
- 3	0512155-2	FRAME-WINDOW RH -----	1			
	0512155-1	FRAME-WINDOW LH -----	1			
- 4	0591200-3	WINDOW-AFT SECTION -----	2			
	S-1055-1	MOULDING 61 IN LG BULK ITEM REF S-1055-1-61.00	2			
- 5	0512000-39	ANGLE-STIFFENER RH -----	1			
	0512000-38	ANGLE-STIFFENER LH -----	1			
- 6	0411718-2	STIFFENER ASSEMBLY-CABIN TOP -----	2			
- 7	0411680	HANGER-UPHOLSTERY -----	2			
- 8	0512000-66	BRACKET ASSEMBLY-HEADLINER-----	4			
	0411680	HANGER-UPHOLSTERY -----	1			
- 9	0511133	BRACKET-UPHOLSTERY -----	2			
- 10	0512000-79	SKIN-TOP STA 65.33 TO 90.00 -----	1			

S-PART NOS. APPEARING ON THIS PAGE ARE CESSNA STANDARDS.

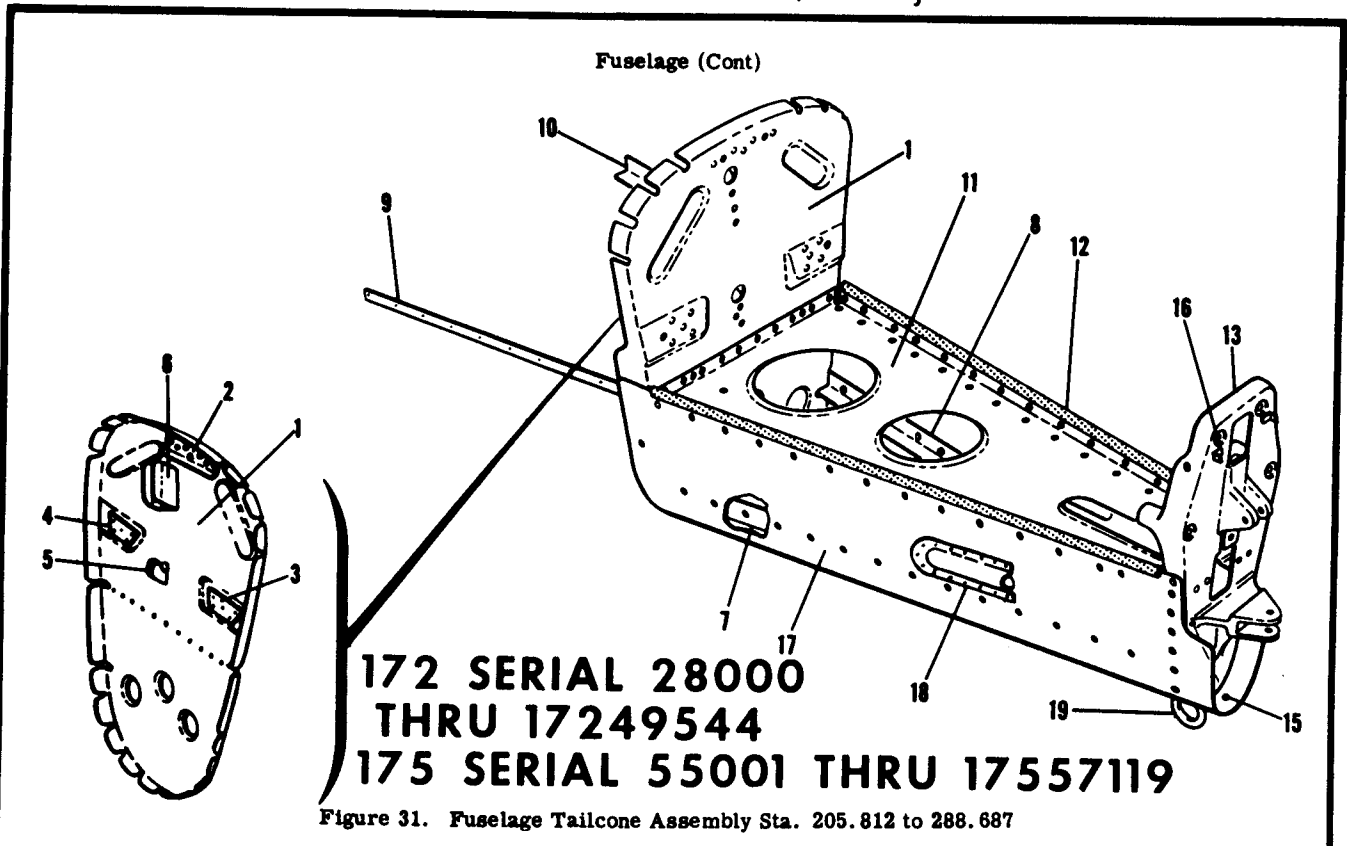
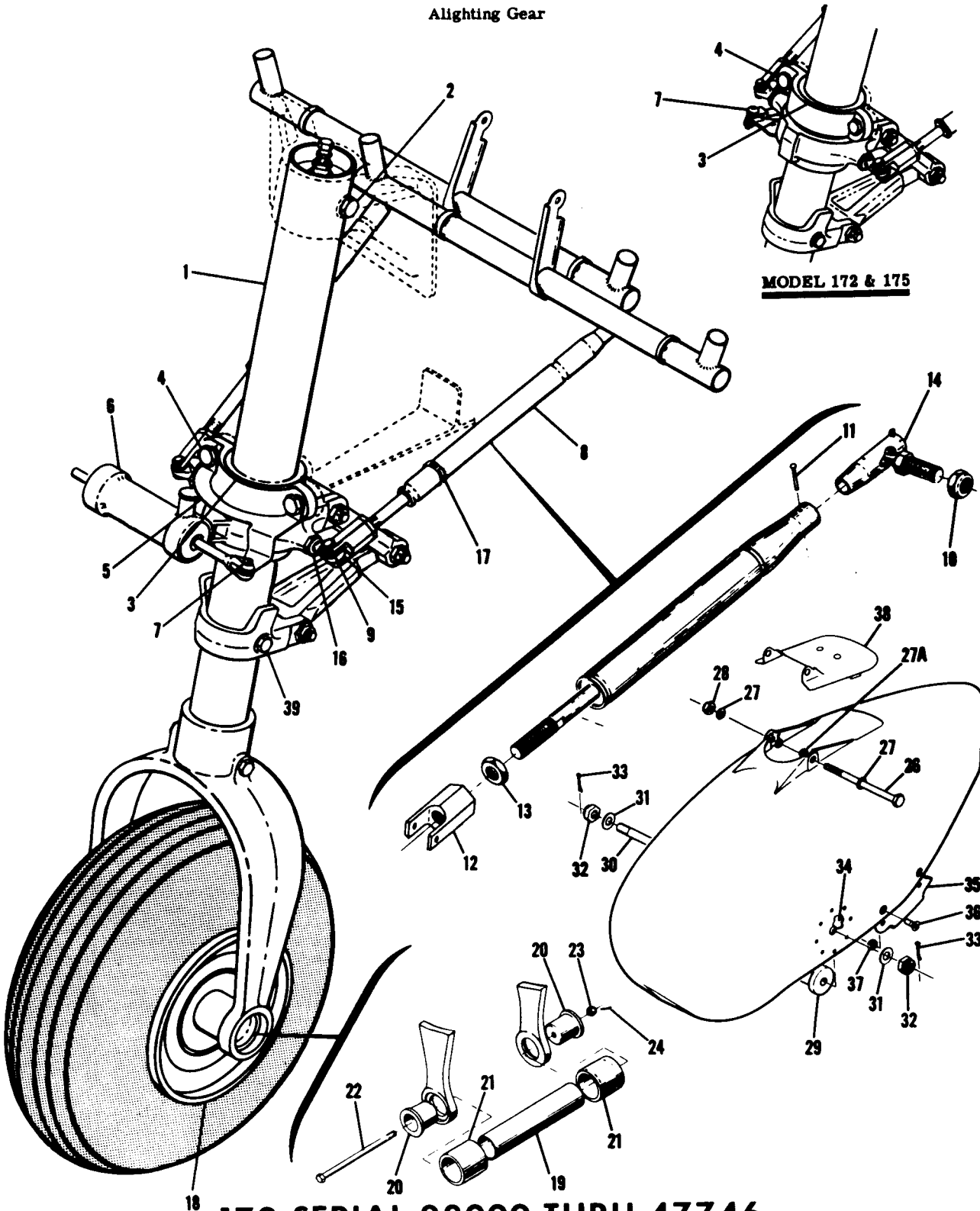


FIGURE AND INDEX NO.	PART NUMBER	DESCRIPTION	UNITS PER ASSY	USABLE ON CODE
		1 2 3 4 5 6 7		
31-	0591201-3	TAILCONE ASSEMBLY-FUSELAGE STA 205.812 TO 288.687	1	A
	0512008-2	TAILCONE ASSEMBLY-FUSELAGE STA 205.812 TO 288.687	1	B
- 1	0512157	BULKHEAD ASSEMBLY-FUSELAGE AFT SECTION STA 205.812	1	
- 2	0512157-2	DOUBLER-BULKHEAD REINFORCEMENT	1	
- 3	0512143	DOUBLER-BULKHEAD REINFORCEMENT LH	1	
- 4	0512143-1	DOUBLER-BULKHEAD REINFORCEMENT RH	1	
- 5	0512160-5	BRACKET-TRIM TAB PULLEY	1	
- 6	0412467	BRACKET-RUDDER CONTROL PULLEY	1	
- 7	0512001-7	ANGLE-TAILCONE REINFORCEMENT LOWER LH	1	
- 8	0512001-8	ANGLE-TAILCONE REINFORCEMENT LOWER RH	1	
- 9	0512001-9	ANGLE-TAILCONE REINFORCEMENT UPPER LH	1	
- 10	0512001-10	ANGLE-TAILCONE REINFORCEMENT UPPER RH	1	
- 11	0512156	BULKHEAD-HORIZONTAL	1	
- 12	S-202RB	MOULDING 22 IN LG---BULK ITEM---REF S-202RB22.00	AR	
- 13	0512159-1	BULKHEAD-FUSELAGE AFT SECTION STA 228.687	1	A
	0512159-2	BULKHEAD-FUSELAGE AFT SECTION STA 228.687	1	B
- 14		DELETED, NEVER USED		
- 15	AN315-3R	NUT	2	A
- 16	0512006	BRACKET	2	A
	0512165-1	PLATE	2	B
	NAS395-14-3	NUT TIN A1274-8Z-3	1	
- 17	0512001-2	SKIN-AFT SECTION FUSELAGE LOWER	1	A
	0512008-4	SKIN-AFT SECTION FUSELAGE LOWER	1	B
- 18	0512164	FAIRING-TAILCONE	2	A
	0530011-1	FAIRING-TAILCONE	2	B
	0512009-10	RUB STRIP	2	
- 19	0422344	EYEBOLT-MOORING	1	
		ATTACHING PARTS		
	NAS680A5	NUT	1	A
	22NA-3-054	NUTPLATE EN	1	B

S-PART NOS. APPEARING ON THIS PAGE ARE CESSNA STANDARDS.				
A---172 SERIAL 28000 THRU 46754				
175 SERIAL 55001 THRU 56238				
B---172 SERIAL 46755 THRU 17249544				
175 SERIAL 56239 THRU 17557119				

Aligning Gear



MODEL 172 & 175

172 SERIAL 28000 THRU 47746
175 SERIAL 55001 THRU 56238

Figure 32. Nose Gear Installation

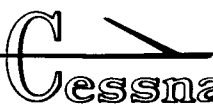


FIGURE AND INDEX NO.	PART NUMBER	DESCRIPTION	UNITS PER ASSY							USABLE ON CODE	
			1	2	3	4	5	6	7		
32-		NOSE GEAR INSTALLATION -----								NP	K
- 1	0594300-208 *	STRUT ASSEMBLY-NOSE GEAR SEE FIGURE 33 -----								1	B
	0594300-212 *	STRUT ASSEMBLY-NOSE GEAR SEE FIGURE 33 -----								1	E
		ATTACHING PARTS -----									
- 2	AN5-31A	BOLT -----								1	
	MS20365-524C	NUT -----								1	
- 3	0543018-1	CAP -----								1	
- 4	AN5-11A	BOLT -----								2	
	AN960-516	WASHER -----								2	B
	AN960-516	WASHER -----								4	E
	MS20365-524C	NUT -----								2	
		-----*-----									
- 5	0543004	ARM-SHIMMY DAMPENER -----								1	B
- 6	0842400-8	DAMPENER ASSEMBLY-SHIMMY SEE FIGURE 101 -----								1	B
	0542119-1	DAMPENER ASSEMBLY-SHIMMY SEE FIGURE 101 -----								1	E
		ATTACHING PARTS -----									
- 7	AN23-12	BOLT -----								1	
	AN960-10	WASHER -----								1	
	AN320-3	NUT -----								2	
	MS24665-132	PIN-COTTER -----								2	
	AN23-17	BOLT -----								1	
	NAS75-3-016	BUSHING -----								1	B
	NAS75-3-009	BUSHING -----								1	E
		-----*-----									
- 8	0543022-1	TUBE ASSEMBLY-NOSE GEAR STEERING LH-----								1	F
	0543022-2	TUBE ASSEMBLY-NOSE GEAR STEERING RH-----								1	F
	0743008-1	TUBE ASSEMBLY-NOSE GEAR STEERING LH-----								1	G
	0743008-2	TUBE ASSEMBLY-NOSE GEAR STEERING RH-----								1	G
		ATTACHING PARTS -----									
- 9	AN3-10A	BOLT -----								1	
	MS20365-1032C	NUT -----								1	
- 10	MS20365-624C	NUT -----								1	
		-----*-----									
- 11	MS20435-4	RIVET -----								1	
- 12	0543023	CLEVIS -----								1	
- 13	AN316-6R	NUT -----								1	
- 14	C-109	BALL JOINT TOK -----								1	
- 15	S-1107-3	BEARING-ROD END CESSNA STANDARD-----								2	
- 16	AN316-6R	NUT -----								2	
- 17	A3122-12-1	CLAMP TIN -----								2	
- 18		WHEEL ASSEMBLY-NOSE GEAR SEE FIGURE 100 -----								1	
		WHEEL ASSEMBLY-NOSE GEAR ALT SEE FIGURE 100A -----								1	D
		ATTACHING PARTS -----									
- 19	0543003	TUBE-AXLE -----								1	
- 20	0543001	BUCKET-AXLE BOLT-----								2	
- 21	0543002	SPACER-AXLE-----								2	
- 22	AN5-47	BOLT -----								1	
- 23	AN310-5	NUT -----								1	
- 24	MS24665-134	PIN-COTTER -----								1	
		-----*-----									
- 25	0742410-201 #	SPEED FAIRING ASSEMBLY-NOSE GEAR -----								1	
	0742410-25 #	SPEED FAIRING ASSEMBLY-NOSE GEAR -----								1	
		ATTACHING PARTS -----									
- 26	AN5-34A	BOLT FOR FAIRING WITH 2.90 IN. DIM BETWEEN MOUNTING-----								1	
		FLANGES -----									
	AN5-37A	BOLT FOR FAIRING WITH 3.24 IN. DIM BETWEEN MOUNTING-----								1	
		FLANGES -----									
- 27	AN960-516	WASHER-----								2	
-27A	AN960D516	WASHER-----USED WITH 0742410-201 FAIRING ONLY-----								6	
- 28	MS20365-524C	NUT -----								1	
- 29	0742410-8	FERRULE -----								2	
- 30	0742410-15	STUD -----								1	
- 31	AN960-516L	WASHER-----								2	
- 32	AN310-5	NUT -----								2	

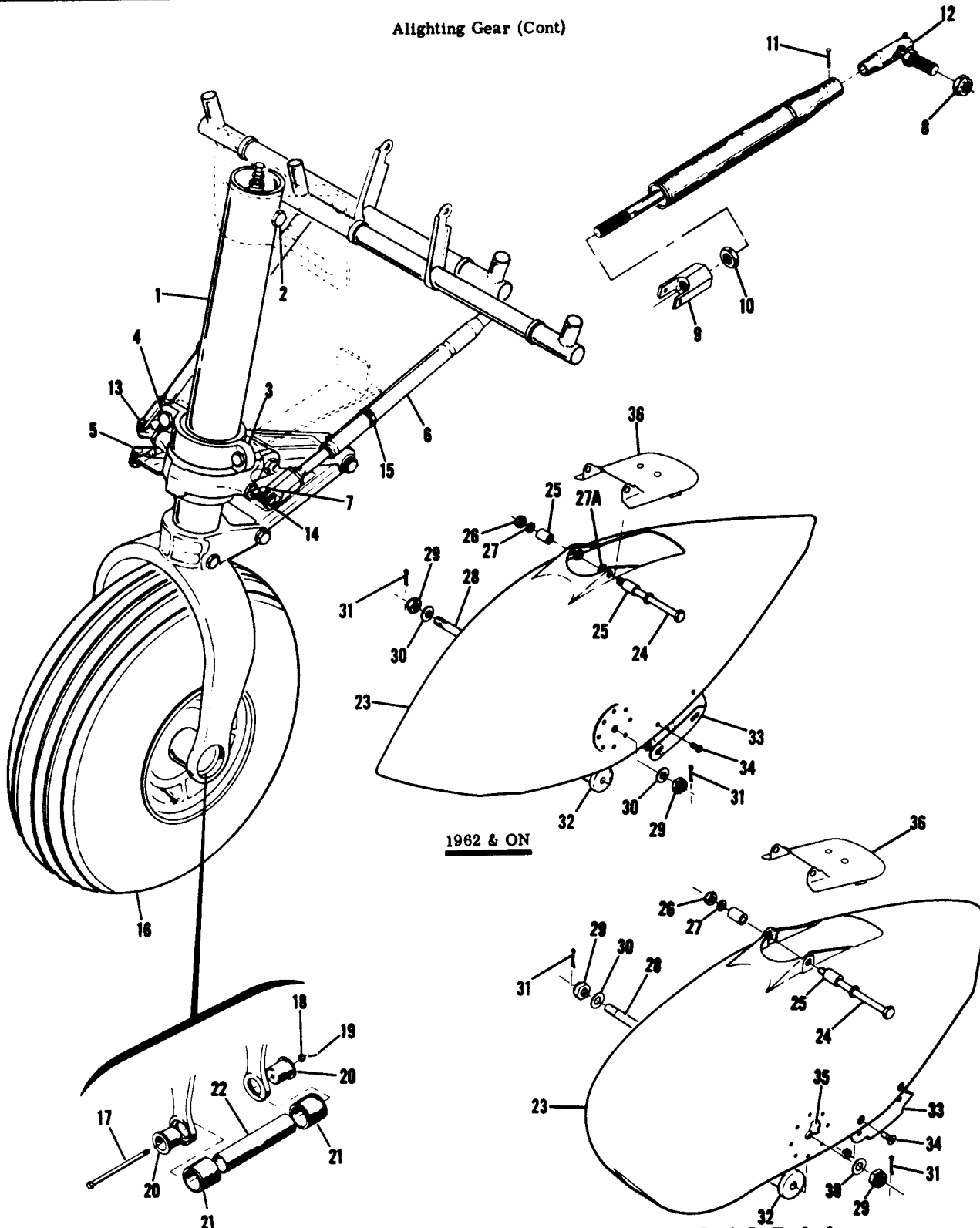
NOTE. FOR ACCESSORY KIT LISTINGS REFER TO PAGE 364

CONTINUED ON PAGE 84

FIGURE AND INDEX NO.	PART NUMBER	DESCRIPTION	UNITS PER ASSY	USABLE ON CODE
		1 2 3 4 5 6 7		
32- 33	MS24665-136	PIN-COTTER -----	2	
- 34	0742410-14	DOUBLER -----	2	
- 35	0742410-9	SCRAPER -----	1	
		ATTACHING PARTS		
- 36	AN520-10R10	SCREW -----	4	
- 37	MS20364-1032C	NUT -----	4	
		-----*		
- 38	0542117-1	COVER PLATE ASSEMBLY-SPEED FAIRING FOR FAIRING-----	1	
		WITH 2.90 IN. DIM BETWEEN MOUNTING FLANGES		
	0743609-10	COVER PLATE ASSEMBLY-SPEED FAIRING FOR FAIRINGS -----	1	
		WITH 3.24 IN. DIM BETWEEN MOUNTING FLANGES		
- 39	AN5-43A	BOLT -----	1	
	0743009-1	SPACER-----	2	
	MS20365-524C	NUT -----	1	
		-----*		
		A---172 SERIAL 28000 THRU 46420		
		B---172 SERIAL 28000 THRU 46432		
		175 SERIAL 55001 THRU 55895		
		C---175 SERIAL 55001 THRU 55875		
		D---172 SERIAL 46421 THRU 47746		
		175 SERIAL 55876 THRU 56238		
		E---172 SERIAL 46433 THRU 47746		
		175 SERIAL 55896 THRU 56238		
		F---172 SERIAL 28000 THRU 47746		
		G---175 SERIAL 55001 THRU 56238		
		H---172 SERIAL 28000 THRU 46754		
		175 SERIAL 55001 THRU 56238		
		J---172 SERIAL 46755 THRU 47746		
		K---172 SERIAL 28000 THRU 47746		
		175 SERIAL 55001 THRU 56238		
		 NOTE. FOR ACCESSORY KIT LISTINGS REFER TO PAGE 364		
		 NOTE. *IF AIRCRAFT IS EQUIPPED WITH NOSE WHEEL FAIRING, ALSO ORDER 0742410-25 FAIRING 0743609-10 COVER & ONE AN5-37A BOLT IF OLD FAIRING HAS 2.90 IN. DIM BETWEEN MOUNTING FLANGES.		
		 NOTE. #0742410-201 FAIRING IS FOR USE ON AIRPLANES THAT HAVE THE ORIGINAL NOSE GEAR FORK. FORGING NO. 0543012-497. WHEN ORDERING THIS PART ALSO ORDER 6 AN960D516 WASHER, 0743609-10 COVER & ONE AN5-37A BOLT.		
		 0742410-25 FAIRING IS FOR USE ON AIRPLANES THAT HAVE NOSE GEAR ASSEMBLY EQUIPPED WITH THE REDESIGNED NOSE GEAR FORK. FORGING NO. 0442503-497.		

This page intentionally left blank.

Aligning Gear (Cont)



172 SERIAL 17247747 THRU 17249544
175 SERIAL 56239 THRU 17557119

Figure 32A. Nose Gear Installation

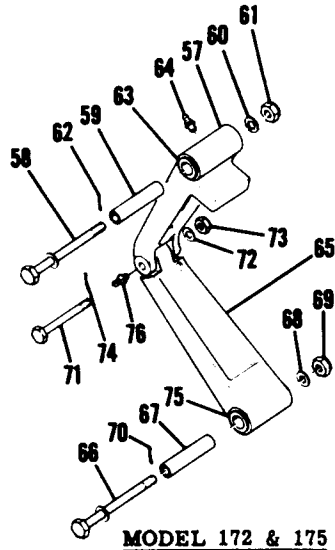
FIGURE AND INDEX NO.	PART NUMBER	DESCRIPTION	UNITS PER ASSY	USABLE ON CODE
		1 2 3 4 5 6 7		
32A-		NOSE GEAR INSTALLATION -----	NP	A
- 1	0543039-3	SHOCK STRUT ASSEMBLY-NOSE GEAR-----WHEN EXHAUSTED ----- USE 0543039-200 SEE FIGURE 33A	1	
	0543039-200 *	SHOCK STRUT ASSEMBLY-NOSE GEAR-----SEE FIGURE 33A ----- ATTACHING PARTS	1	
- 2	AN5-31A	172 SERIAL 17247747	1	
	MS20365-524C	BOLT -----	1	
- 3	0543018-1	NUT -----	3	
- 4	AN5-10A	CAP -----	1	
	AN960-516	BOLT -----	2	
	0543042-1	WASHER-----	2	
	0543042-2	SHIM .032 ----- 175 SERIAL 56239 SHIM .016 ----- THRU 17557119	AR	
		-----*	AR	
- 5	0542119-1	DAMPENER ASSEMBLY-SHIMMEY -----SEE FIGURE 101 ----- ATTACHING PARTS	1	
	AN23-17	BOLT -----	1	
	AN320-3	NUT -----	2	
	NAS75-3-009	SPACER-----	1	
	MS24665-132	COTTER PIN -----	2	
	AN23-12	BOLT -----	1	
	AN960-10	WASHER-----	1	
		-----*		
- 6	0743008-1	TUBE ASSEMBLY-STEERING LH -----	1	
	0743008-2	TUBE ASSEMBLY-STEERING RH -----	1	
		ATTACHING PARTS		
- 7	AN3-10A	BOLT -----	1	
	MS20365-1032C	NUT -----	1	
- 8	MS20365-624C	NUT -----	1	
		-----*		
- 9	0543023	CLEVIS -----	1	
- 10	AN316-6R	NUT -----	1	
- 11	MS20435-4	RIVET -----	1	
- 12	C-109	BALL JOINT TOK -----	1	
- 13	S-1107-3	BEARING-ROD END CESSNA STANDARD-----	2	
- 14	AN316-6R	NUT -----	2	
- 15	NAS397-12	CLAMP -----	2	
- 16		WHEEL ASSEMBLY-NOSE GEAR SEE FIGURE 100 ----- WHEEL ASSEMBLY-NOSE GEAR ALT SEE FIGURE 100A ----- ATTACHING PARTS	1	
- 17	AN5-47	BOLT -----	1	
- 18	AN310-5	NUT -----	1	
- 19	MS24665-134	COTTER PIN -----	1	
- 20	0543001	FERRULE-AXLE BOLT -----	2	
- 21	0543037-1	SPACER-AXLE NOSE WHEEL -----	2	
- 22	0543003	TUBE-AXLE -----	1	
		-----*		
- 23	0742410-201 #	SPEED FAIRING ASSEMBLY-NOSE GEAR -----	1	B
	0742410-25 #	SPEED FAIRING ASSEMBLY-NOSE GEAR -----	1	B
	0743609-201 #	SPEED FAIRING ASSEMBLY-NOSE GEAR -----	1	C
	0743609-17 #	SPEED FAIRING ASSEMBLY-NOSE GEAR ----- ATTACHING PARTS	1	C
- 24	AN5-33A	BOLT FOR FAIRING WITH 2.90 IN. DIM BETWEEN MOUNTING----- FLANGES	1	
	AN5-47A	BOLT FOR FAIRING WITH 2.90 IN. DIM BETWEEN MOUNTING----- FLANGES-WHEN TOW BAR SPACERS ARE USED	1	
	AN5-37A	BOLT FOR FAIRING WITH 3.24 IN. DIM BETWEEN MOUNTING----- FLANGES	1	
	AN5-51A	BOLT FOR FAIRING WITH 3.24 IN. DIM BETWEEN MOUNTING----- FLANGES-WHEN TOW BAR SPACERS ARE USED	1	
- 25	0743009-1	SPACER-----FOR TOW BAR ONLY	2	
- 26	MS20365-524C	NUT -----	1	
- 27	AN960-516	WASHER-----	2	
-27A	AN960D516	WASHER-----USED WITH 0742410-201 & 0743609-201 FAIRING ONLY	6	
- 28	0742410-15	STUD -----	1	
- 29	AN310-5	NUT -----	2	
- 30	AN960-516L	WASHER-----	2	
- 31	MS24665-136	COTTER PIN -----	2	
- 32	0742410-8	FERRULE -----	2	
		-----*		

CONTINUED ON PAGE 88

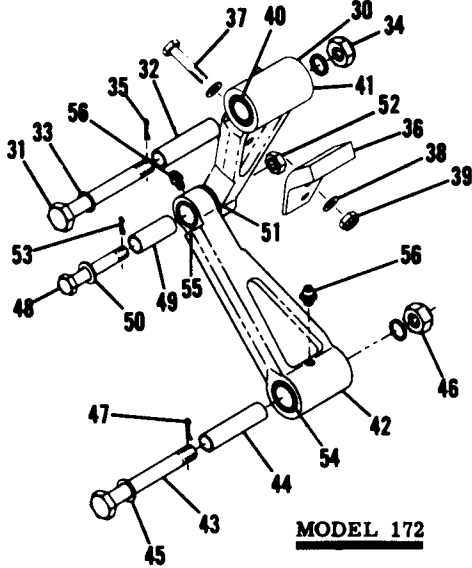
FIGURE AND INDEX NO.	PART NUMBER	DESCRIPTION	UNITS PER ASSY	USABLE ON CODE
32A- 33	0742410-9 0743609-6	SCRAPER ----- SCRAPER ----- ATTACHING PARTS	1 1	B C
- 34	AN520-10R10 NAS221-7 MS20364-1032C	SCREW ----- SCREW ----- NUT ----- -----*	4 4 4	B C
- 35	0742410-14	DOUBLER -----	2	
- 36	0542117-5	COVER PLATE ASSEMBLY DO NOT USE WITH 0743609-17 ----- FAIRING.	1	
	1243616-1	COVER PLATE ASSEMBLY FOR USE WITH 0743609-17 ----- FAIRING. ATTACHING PARTS	1	
	AN4-32	BOLT -----	1	
	AN310-4	NUT -----	1	
	AN960-416L	WASHER -----	AR	
	MS24665-134	COTTER PIN ----- -----*	1	
<p>A---175 SERIAL 56239 THRU 17557119 172 SERIAL 17247747 THRU 17249544 B---172 SERIAL 17247747 THRU 17248734 175 SERIAL 56239 THRU 17557002 C---172 SERIAL 17248735 THRU 17249544 175 SERIAL 17557003 THRU 17557119</p> <p>NOTE. FOR ACCESSORY KIT LISTINGS REFER TO PAGE 364</p> <p>NOTE. *IF AIRCRAFT IS EQUIPPED WITH NOSE WHEEL FAIRING, ALSO ORDER APPROPRIATE FAIRING & ATTACHING BOLT IF OLD FAIRING HAS 2.90 IN. DIMENSION BETWEEN MOUNTING FLANGES. SEE NOTE #.</p> <p>NOTE. #0742410-201 FAIRING IS FOR USE ON AIRPLANES, COVERED BY CODE B SERIALS, THAT HAVE THE ORIGINAL NOSE GEAR FORK. FORGING NO. 1243004-497. WHEN ORDERING THIS PART ALSO ORDER AN5-33A OR AN5-51A BOLT & SIX AN960D516 WASHERS.</p> <p>0742410-25 FAIRING IS FOR USE ON AIRPLANES COVERED BY CODE B SERIALS THAT HAVE BEEN EQUIPPED WITH THE REDESIGNED NOSE GEAR FORK, FOR FORGING NO. 0543043-498.</p> <p>0743609-201 FAIRING IS FOR USE ON AIRPLANES, COVERED BY CODE C SERIALS, THAT HAVE THE ORIGINAL NOSE GEAR FORK, FORGING NO. 1243004-497. WHEN ORDERING THIS PART ALSO ORDER AN5-33A OR AN5-51A BOLT AND SIX AN960D516 WASHERS.</p> <p>0743609-17 FAIRING IS FOR USE ON AIRPLANES, COVERED BY CODE C SERIALS, THAT HAVE BEEN EQUIPPED WITH THE REDESIGNED NOSE GEAR FORK, FORGING NO. 1243004-497. WHEN INITIALLY ORDERING THIS PART ALSO ORDER 1243616-1 COVER PLATE ASSEMBLY.</p>				

This page intentionally left blank.

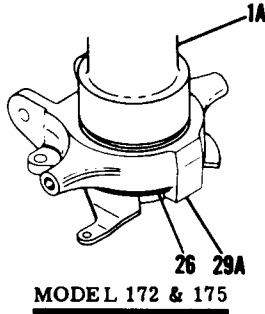
Aligning Gear (Cont)



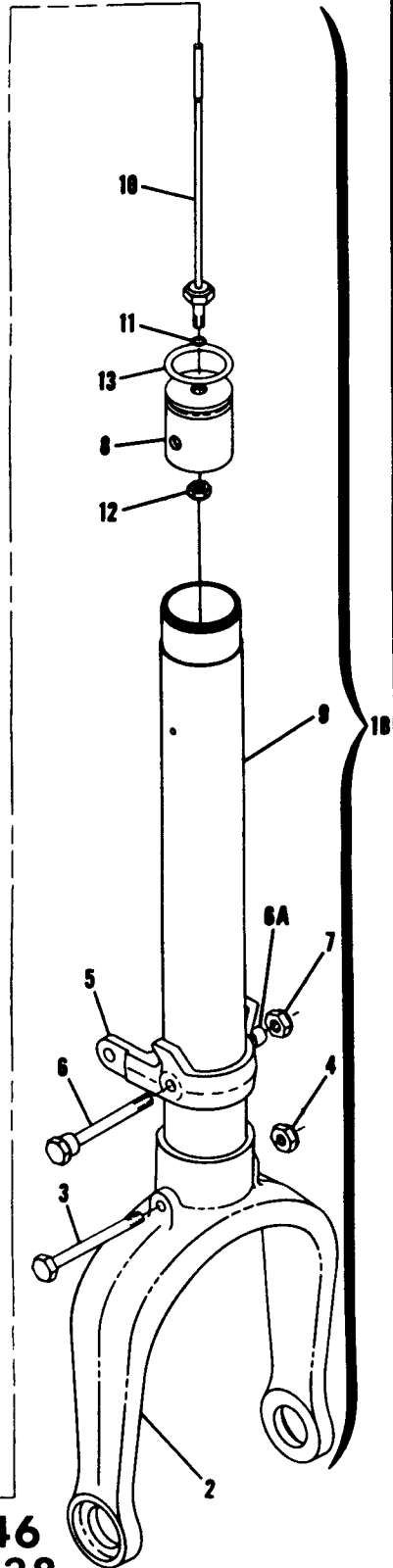
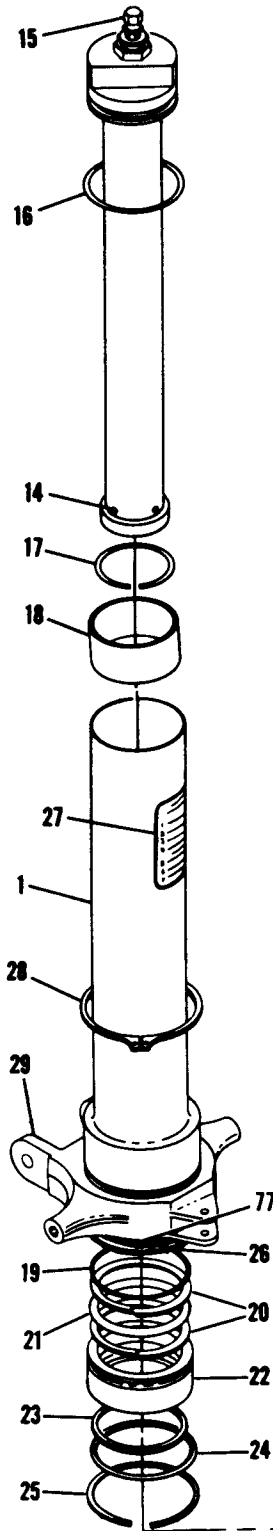
MODEL 172 & 175



MODEL 172



MODEL 172 & 175



172 SERIAL 28000 THRU 47746
175 SERIAL 55001 THRU 56238

Figure 33. Nose Gear Strut Assembly

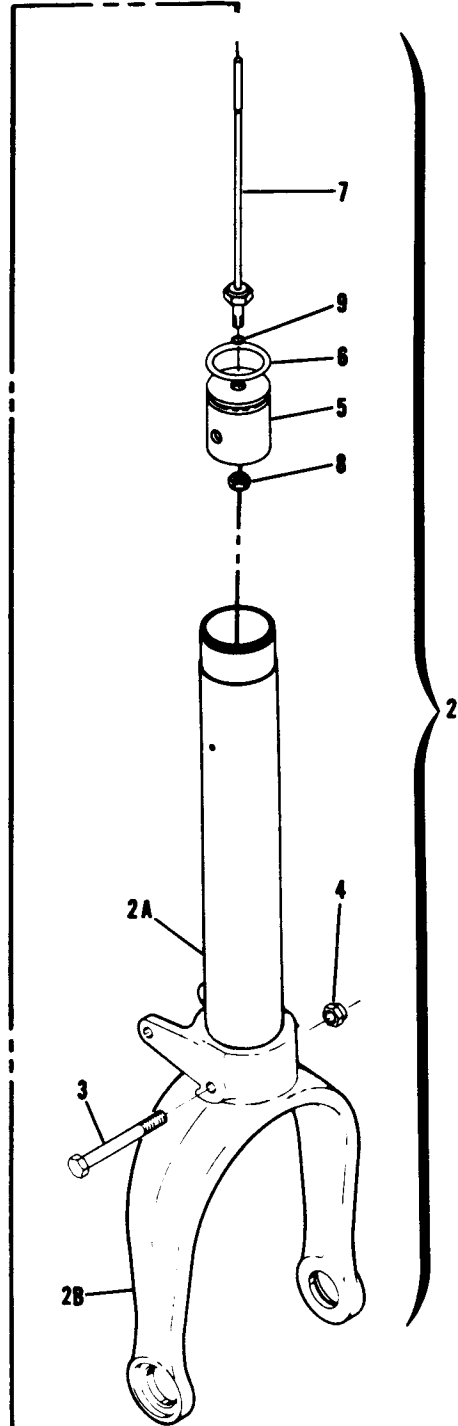
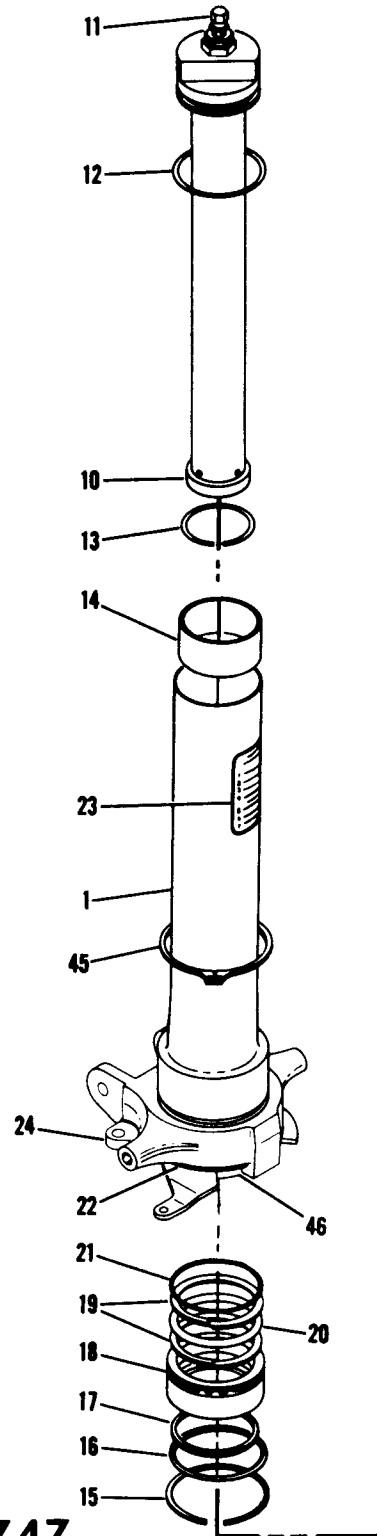
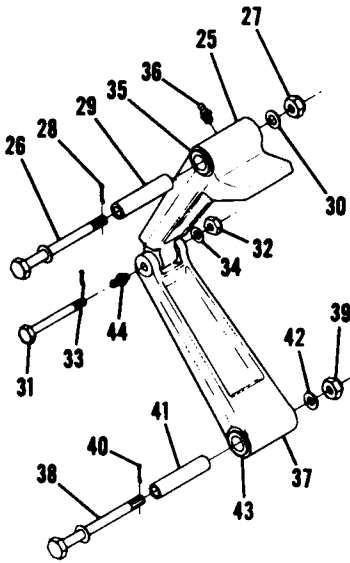
FIGURE AND INDEX NO.	PART NUMBER	1	2	3	4	5	6	7	DESCRIPTION	UNITS PER ASSY	USABLE ON CODE
33-		*							STRUT ASSEMBLY-NOSE GEAR	NP	A
	0594300-208	#							STRUT ASSEMBLY-NOSE GEAR	1	C
	0594300-212	#							STRUT ASSEMBLY-NOSE GEAR	1	E
- 1	0543008								TUBE-SHOCK STRUT	1	B
- 1A	0543008-2								TUBE-SHOCK STRUT	1	E
- 18	0543000-212	#							SHOCK STRUT ASSEMBLY-LOWER	1	
- 2	SK182-34	#							FORK-NOSE GEAR	1	F
									ATTACHING PARTS		
- 3	AN5-30A								BOLT-FOR USE WITH ORIGINAL FORK	1	F
	AN5-33A								BOLT-FOR USE WITH REDESIGNED FORK	1	
- 4	MS20365-524C								NUT	1	
									FITTING		
- 5									ATTACHING PARTS	NP	
- 6	AN5-43A								BOLT	1	
- 6A	0743009-1								SPACER	2	
- 7	MS20365-524C								NUT	1	
									PLUG-PIN BASE		
- 8	0841200-7								TUBE-INNER	1	
- 9									PIN-METERING	NP	
- 10	0841200-21								ATTACHING PARTS	1	
- 11	AN622785								O RING	1	
- 12	MS20365-428C								NUT	1	
									O RING		
- 13	A6227826								ORIFICE-PISTON SUPPORT ASSEMBLY	1	
- 14	0543000-6								VALVE ASSEMBLY-WHEN EXHAUSTED USE 0543036-1	1	
- 15	AN6287-1								VALVE ASSEMBLY	1	
	0543036-1								O RING USAF	1	
	47A1562								O RING	1	
	AN622784								O RING	1	
- 16	AN623083								O RING	1	
- 17	0841200-19								LOCK RING	1	
- 18	0841200-18								BEARING	1	
- 19	AN623086								O RING	1	
- 20	MS28782-32								RING-BACK-UP SHWS	2	
- 21	AN6227832								O RING	1	
- 22	0841200-42								RING-PACK SUPPORT	1	
- 23	S11065-21								SCRAPER SHWS	1	
- 24	0841200-15								RING-PACK RETAINER	1	
- 25	0841200-25								LOCK RING	1	
- 26	0543029								WASHER	1	
- 27	0543032								PLACARD	1	
- 28	NAS670-275								RING-RETAINING	1	
- 29	0543011								ARM ASSEMBLY-STEERING	1	A
	0543011-7								ARM ASSEMBLY-STEERING	1	C
-29A	0743011-4								ARM ASSEMBLY-STEERING	1	E
- 30	0841000-98								LINK ASSEMBLY-TORQUE UPPER	1	A
									ATTACHING PARTS		
- 31	AN6-31								BOLT	1	A
- 32	0841000-84								SPACER	1	A
- 33	AN960-616L								WASHER	2	A
- 34	AN310-6								NUT	1	A
- 35	MS24665-285								PIN-COTTER	1	A
									STOP-EXTEND		
- 36	0543033-1								ATTACHING PARTS	1	A
- 37	AN4-11A								BOLT	2	A
- 38	AN960-416								WASHER	4	A
- 39	MS20365-428C								NUT	2	A
									BUSHING		
- 40	NAS77-8-88								BUSHING	2	A
- 41	0841000-99								BUSHING	1	A
	AN944-101A								FITTING-LUBRICATOR	2	A

CONTINUED ON PAGE 92

FIGURE AND INDEX NO.	PART NUMBER	DESCRIPTION	UNITS PER ASSY	USABLE ON CODE
33- 42	0841000-64	LINK ASSEMBLY-TORQUE LOWER ATTACHING PARTS	1	A
- 43	AN6-31	BOLT	1	A
- 44	0841000-84	SPACER	1	A
- 45	AN960-616L	WASHER	2	A
- 46	AN310-6	NUT	1	A
- 47	MS24665-285	PIN-COTTER	1	A
- 48	AN175-16	BOLT	1	A
- 49	0841000-83	SPACER	1	A
- 50	0841000-70	WASHER	2	A
	AN960-716	WASHER	AR	A
- 51	AN960-716L	WASHER	AR	A
- 52	AN310-5	NUT	1	A
- 53	MS24665-134	PIN-COTTER	1	A
		---*---		
- 54	NAS77-8-88	BUSHING	2	A
- 55	0841000-99	BUSHING	1	A
- 56	AN944-101A	FITTING-LUBRICATOR	2	A
- 57	0543035-1	LINK ASSEMBLY-TORQUE UPPER ATTACHING PARTS	1	D
- 58	AN4-31	BOLT	1	D
- 59	0543000-9	SPACER	1	D
- 60	AN960-416L	WASHER	AR	D
- 61	AN310-4	NUT	1	D
- 62	MS24665-134	PIN-COTTER	1	D
		---*---		
- 63	NAS77-6-88	BUSHING	2	D
- 64	AN944-101A	FITTING-LUBRICATOR	1	D
- 65	0543035-2	LINK ASSEMBLY-TORQUE LOWER ATTACHING PARTS	1	D
- 66	AN4-31	BOLT	1	D
- 67	0543000-9	SPACER	1	D
- 68	AN960-416L	WASHER	AR	D
- 69	AN310-4	NUT	1	D
- 70	MS24665-134	PIN-COTTER	1	D
- 71	NAS464-3-22	BOLT	1	D
- 72	AN960-10L	WASHER	1	D
- 73	AN310-3	NUT	1	D
- 74	MS24665-132	PIN-COTTER	1	D
		---*---		
- 75	NAS77-6-88	BUSHING	2	
	NAS77-3-23	BUSHING	2	
- 76	AN944-101A	FITTING-LUBRICATOR	2	
- 77	1243030-1	SHIM	AR	
	1243030-2	SHIM	AR	
	1243030-3	SHIM	AR	
		A---172 SERIAL 28000 THRU 36141 AND 36150 THRU 36153		
		B---172 SERIAL 28000 THRU 46432		
		175 SERIAL 55001 THRU 55895		
		C---172 SERIAL 36142 THRU 36149 AND 36154 THRU 46432		
		175 SERIAL 55001 THRU 55895		
		D---172 SERIAL 36142 THRU 36149 & 36154 THRU 47746		
		175 SERIAL 55001 THRU 56238		
		E---172 SERIAL 46433 THRU 47746		
		175 SERIAL 55896 THRU 56238		
		F---172 SERIAL 28000 THRU 47746		
		175 SERIAL 55001 THRU 56238		
		*NOTE. WHEN ORDERING COMPLETE SHOCK STRUT ASSY FOR MODEL 172 SERIAL 28000 THRU 36141 & 36150 THRU 36153, ORDER 0594300-208, SEE NOTE #.		
		NOTE. #IF AIRCRAFT IS EQUIPPED WITH NOSE GEAR FAIRING ALSO ORDER 0742410-25 FAIRING, 0743609-10 COVER AND ONE AN5-37A BOLT IF OLD FAIRING HAS 2.90 IN. DIMENSIONS BETWEEN MOUNTING FLANGES.		

This page intentionally left blank.

Aligning Gear (Cont)



172 SERIAL 17247747
THRU 17249544

175 SERIAL 56239
THRU 17557119

Figure 33A. Nose Gear Strut Assembly

FIGURE AND INDEX NO.	PART NUMBER	DESCRIPTION	UNITS PER ASSY	USABLE ON CODE
33A-	0543039-3	SHOCK STRUT ASSEMBLY-NOSE GEAR WHEN EXHAUSTED ----- USE 0543039-200	1	A
- 1	0543039-200 *	SHOCK STRUT ASSEMBLY-NOSE GEAR -----	1	A
- 2	0543008-2	TUBE ASSEMBLY-SHOCK STRUT -----	1	
	0543039-205	SHOCK STRUT ASSEMBLY-LOWER----- WHEN EXHAUSTED USE 0543039-201	1	
	0543039-201 *	SHOCK STRUT ASSEMBLY-LOWER-----	1	
- 2A	0543039-204	FORK & BARREL ASSEMBLY WHEN EXHAUSTED ----- USE 0543039-201	1	
- 2B	SK175-9 *	FORK-NOSE GEAR -----	1	
- 3	AN5-30A	ATTACHING PARTS	1	
- 3	AN5-33A	BOLT USE WITH OLD TYPE FORK-----	1	
- 4	MS20365-524C	BOLT FOR USE WITH REDESIGNED FORK ----- NUT -----	1	
- 5	U841200-7	PLUG-PIN BASE -----	1	
- 6	AN6227B26	O RING -----	1	
- 7	0841200-21	METERING PIN ----- ATTACHING PARTS	1	
- 8	MS20365-428C	NUT -----	1	
- 9	AN6227B5	O RING -----	1	
- 10	0543000-6	ORFICE PISTON SUPPORT ASSEMBLY-----	1	
- 11	0543036-1	VALVE ASSEMBLY-----	1	
	AN6227B4	O RING -----	1	
- 12	AN6230B3	O RING-----	1	
- 13	0841200-19	LOCK RING -----	1	
- 14	0841200-18	BEARING -----	1	
- 15	0841200-25	LOCK RING -----	1	
- 16	0841200-15	RING-PACK RETAINER -----	1	
- 17	S11065-21	RING-SCRAPER SHWS-----	1	
- 18	0841200-42	RING-PACK SUPPORT -----	1	
- 19	MS20782-32	RING-BACK UP SHWS-----	2	
- 20	AN6227B32	O RING-----	1	
- 21	AN6230B6	O RING-----	1	
- 22	0543029	WASHER-----	1	
- 23	0543032	PLACARD -----	1	
- 24	0743011-4	ARM ASSEMBLY-NOSE GEAR STEERING -----	1	
- 25	0543035-8	TORQUE LINK-UPPER ----- ATTACHING PARTS	1	
- 26	AN4-31	BOLT -----	1	
- 27	AN310-4	NUT -----	1	
- 28	MS24665-134	COTTER PIN -----	1	
- 29	0543000-9	SPACER-----	1	
- 30	AN960-416L	WASHER-----	AR	
- 31	NAS464-3-22	BOLT -----	1	
- 32	AN310-3	NUT -----	1	
- 33	MS24665-132	COTTER PIN -----	1	
- 34	AN960-10L	WASHER-----	1	
- 35	NAS77-6-88	BUSHING -----	2	
- 36	AN944-101A	FITTING-LUBE -----	1	
- 37	0543035-3	TORQUE LINK-LOWER ----- ATTACHING PARTS	1	
- 38	AN4-31	BOLT -----	1	
- 39	AN310-4	NUT -----	1	
- 40	MS24665-134	COTTER PIN -----	1	
- 41	0543000-9	SPACER-----	1	
- 42	AN960-416L	WASHER-----	AR	
- 43	NAS77-3-23	BUSHING -----	2	
- 44	NAS77-6-88	BUSHING -----	2	
- 45	MS15002-3	FITTING-LUB -----	2	
- 46	NAS670-275	RING-RETAINING -----	1	
	1243030-1	SHIM -----	AR	
	1243030-2	SHIM -----	AR	
	1243030-3	SHIM -----	AR	

A---175 SERIAL 56239 THRU 17557119
172 SERIAL 17247747 THRU 17249544

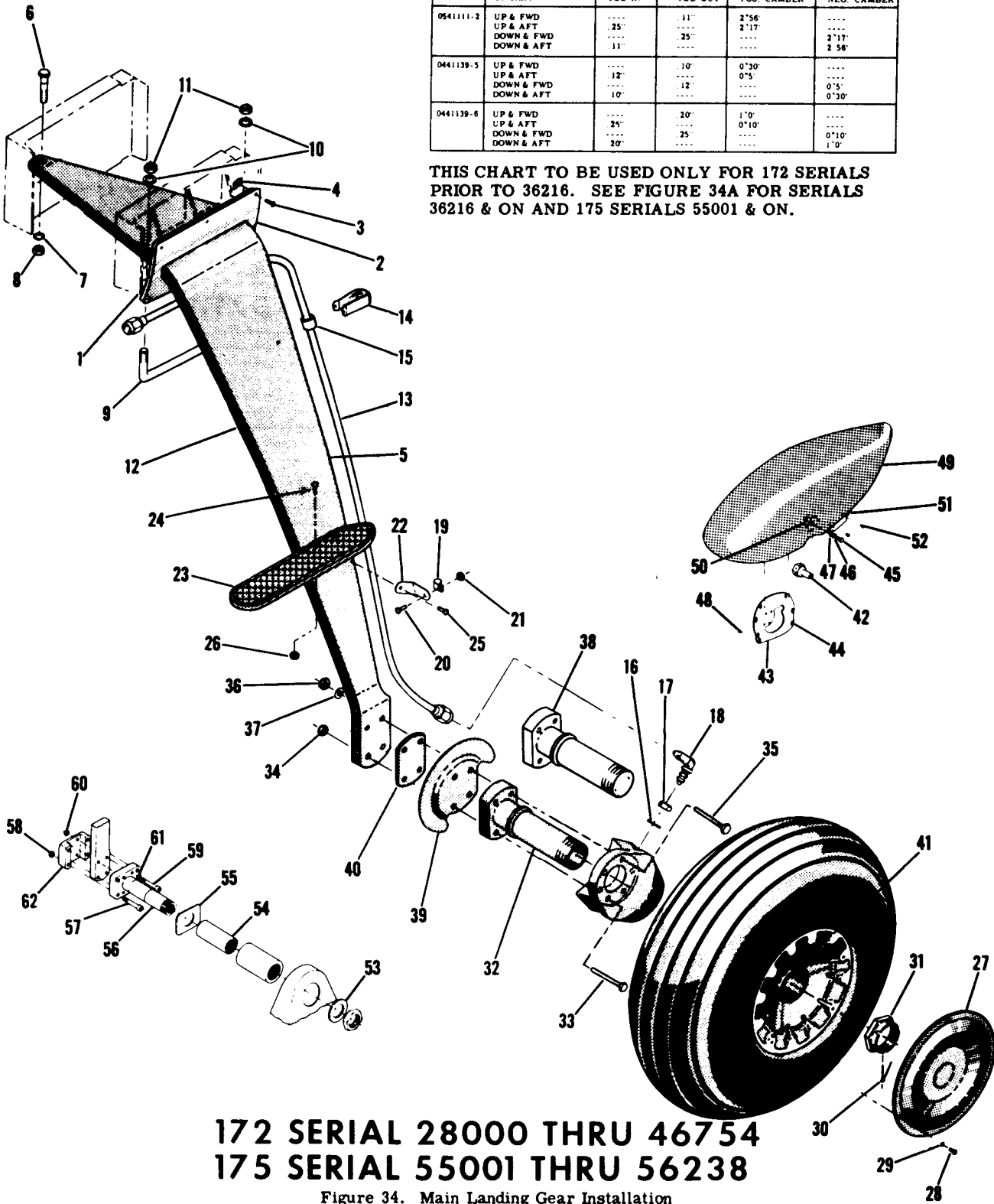
NOTE. *IF AIRCRAFT IS EQUIPPED WITH NOSE GEAR FAIRINGS CONSULT FIGURE 32A FOR ADDITIONAL PARTS TO BE ORDERED, THESE CONSIST OF A FAIRING, COVER PLATE & BOLT IF OLD FAIRING HAS 2.90 IN. DIM BETWEEN MOUNTING FLANGES.

Alighting Gear (Cont)

WHEEL ALIGNMENT SHIM CHART

SHIM PART NO.	POSITION OF THICKEST CORNER OF SHIM	CORRECTION IMPOSED ON WHEEL			
		TOE-IN	TOE-OUT	POS. CAMBER	NEG. CAMBER
0541111-2	UP & FWD	11"	2'56
	UP & AFT	25"	2'17
	DOWN & FWD	25"	2'17
	DOWN & AFT	11"	2'56
0441139-5	UP & FWD	10"	0'30
	UP & AFT	12"	0'5
	DOWN & FWD	12"	0'5
	DOWN & AFT	10"	0'30
0441139-6	UP & FWD	20"	1'0
	UP & AFT	25"	0'10
	DOWN & FWD	25"	0'10
	DOWN & AFT	20"	1'0

THIS CHART TO BE USED ONLY FOR 172 SERIALS PRIOR TO 36216. SEE FIGURE 34A FOR SERIALS 36216 & ON AND 175 SERIALS 55001 & ON.



172 SERIAL 28000 THRU 46754
175 SERIAL 55001 THRU 56238

Figure 34. Main Landing Gear Installation

FIGURE AND INDEX NO.	PART NUMBER	DESCRIPTION	UNITS PER ASSY	USABLE ON CODE
		1 2 3 4 5 6 7		
34-		MAIN LANDING GEAR INSTALLATION -----	NP	F
- 1	0511072	SEAL-LANDING GEAR FILLET -----	2	
- 2	0511071-1	PLATE-LANDING GEAR FILLET LH -----	1	
	0511071-2	PLATE-LANDING GEAR FILLET RH -----	1	
		ATTACHING PARTS -----		
- 3	S-1021Z-8-8	SCREW CESSNA STANDARD -----	6	
- 4	A1788-8Z-3	NUT TIN -----	6	
		-----*		
- 5		MAIN LANDING GEAR ASSEMBLY LH --	NP	A
		MAIN LANDING GEAR ASSEMBLY RH --	NP	A
		MAIN LANDING GEAR ASSEMBLY LH -	NP	C
		MAIN LANDING GEAR ASSEMBLY RH -	NP	C
		MAIN LANDING GEAR ASSEMBLY LH -----	NP	D
		MAIN LANDING GEAR ASSEMBLY RH -----	NP	D
		ATTACHING PARTS -----		
- 6	AN6-15A	BOLT -----	1	
- 7	AN9600616	WASHER -----	2	
- 8	MS20365-624C	NUT -----	1	
- 9	0541153	U-BOLT-MAIN LANDING GEAR -----	1	
- 10	AN9600716	WASHER -----	2	
- 11	MS20365-720C	NUT -----	2	B
		-----*		
- 12	0541120-5	SPRING-LANDING GEAR LH -----	1	A
	0541120-4	SPRING-LANDING GEAR RH -----	1	A
	0541158-3	SPRING-LANDING GEAR LH -----	1	B
	0541158-4	SPRING-LANDING GEAR RH -----	1	B
	0541155-1	BRACKET-STEP LH -----	1	
	0541155-2	BRACKET-STEP RH -----	1	
- 13	0500106-175	LINE-BRAKE LH -----	1	A
	0500106-174	LINE-BRAKE RH -----	1	A
	0500106-240	LINE-BRAKE LH -----	1	B
	0500106-239	LINE-BRAKE RH -----	1	B
		ATTACHING PARTS -----		
- 14	0741000-7	BRACKET-BRAKE LINE RETAINER -----	1	
- 15	0441119	HOSE-BRAKE LINE PROTECTOR -----	1	
- 16	AN902B4	GASKET -----	1	
- 17	AN924-4D	NUT -----	1	
- 18	AN833-4D	ELBOW -----	1	
		-----*		
- 19	A3046A-4	CLAMP TIN -----	1	
		ATTACHING PARTS -----		
- 20	NAS220-6	SCREW -----	1	
- 21	MS20365-832C	NUT -----	1	
		-----*		
- 22	0541156-1	STRAP-BRAKE LINE LH -----	1	
	0541156-2	STRAP-BRAKE LINE RH -----	1	
- 23	0541154-1	STEP -----	1	
		ATTACHING PARTS -----		
- 24	AN507-1032R10	SCREW -----	2	
- 25	NAS221-10	SCREW -----	2	
- 26	MS20365-1032C	NUT -----	3	
		-----*		
- 27	0541119	FAIRING-MAIN LANDING GEAR WHEEL -----	1	A
	0541119-1	FAIRING-MAIN LANDING GEAR WHEEL -----	1	B
		ATTACHING PARTS -----		
- 28	AN515-6R4	SCREW -----	3	
- 29	AN936A6	WASHER -----	3	
		-----*		
- 30	AN380-4-3	PIN-COTTER -----	1	
- 31	S-1117-24	NUT CESSNA STANDARD -----	1	
- 32	0541124	AXLE-MAIN LANDING GEAR -----	1	
		ATTACHING PARTS -----		
- 33	AN6-23A	BOLT -----	1	
	AN6-24A	BOLT-----ALTERNATE -----	1	
- 34	MS20365-624C	NUT -----	1	
- 35	AN5-23A	BOLT -----	1	
	AN5-22A	BOLT-----ALTERNATE -----	1	
- 36	MS20365-524C	NUT -----	1	
- 37	AN960-516L	WASHER AFT BOLT ONLY-----	1	
		-----*		

CONTINUED ON PAGE 98

FIGURE AND INDEX NO.	PART NUMBER	DESCRIPTION	UNITS PER ASSY	USABLE ON CODE
34- 38	0541124-1	AXLE-HEAVY DUTY ----- ATTACHING PARTS -----	1	
	NAS146-40	BOLT-----	1	
	NAS146-42	BOLT-----ALTERNATE -----	1	
	MS20365-624C	NUT -----	1	
	NAS145-41	BOLT-----	1	
	NAS145-39	BOLT-----ALTERNATE -----	1	
	MS20365-524C	NUT -----	1	
	MS20002-5C	WASHER -----	1	
	MS20002-6C	WASHER -----	1	
	----	-----*-----		
- 39	0441141	COVER-BRAKE DISC LH-----	1	E D E D
	0441141-3	COVER-BRAKE DISC LH-----	1	
	0441141-1	COVER-BRAKE DISC RH-----	1	
	0441141-4	COVER-BRAKE DISC RH-----	1	
- 40	0541157-1	SHIM-MAIN LANDING GEAR -----	AR	
	0541157-2	SHIM-MAIN LANDING GEAR -----	AR	
	0541111-2	SHIM-MAIN LANDING GEAR -----	AR	
	0441139-5	SHIM-MAIN LANDING GEAR -----	AR	
	0441139-6	SHIM-MAIN LANDING GEAR -----	AR	
- 41		WHEEL & BRAKE ASSY-MAIN LANDING GEAR SEE FIG 99 -----	1	
		SPEED FAIRING INSTALLATION-MAIN LANDING GEAR -----	NP	
- 42	0441130-1	NUT-WHEEL FAIRING SUPPORT -----	2	
	MS24665-362	PIN-COTTER -----	2	
- 43	0441143-26	PLATE ASSEMBLY-WHEEL FAIRING RH -----	1	
	0441143-27	PLATE ASSEMBLY-WHEEL FAIRING LH -----	1	
- 44	NAS686A3	NUTPLATE KNM -----	7	
	0742410-16	FAIRING ASSEMBLY-MAIN LANDING GEAR RH -----	1	
	0742410-17	FAIRING ASSEMBLY-MAIN LANDING GEAR LH -----	1	
		ATTACHING PARTS -----		
- 45	AN6-5A	BOLT-----	1	
- 46	AN936B616	WASHER -----	1	
- 47	AN960-616L	WASHER -----	1	
- 48	AN520-10R10	SCREW -----	7	
		-----*-----		
- 49	0742410-18	FAIRING-FIBERGLASS RH -----	1	
	0742410-19	FAIRING-FIBERGLASS LH -----	1	
- 50	0742410-12	DOUBLER-----	1	
- 51	0742410-13	SCRAPER-----	1	
		ATTACHING PARTS -----		
- 52	AN520-10R10	SCREW -----	3	
	MS20364-1032C	NUT -----	3	
		-----*-----		
	0541159-4	DOUBLER-----	1	
	0741008-5	AXLE ASSEMBLY-SKI LANDING GEAR-----	1	
- 53	0741008-3	WASHER -----	1	
- 54	0741008-4	BUSHING -----	1	
- 55	0741008-2	WASHER -----	1	
- 56	0741103	AXLE-SKI LANDING GEAR -----	1	
		ATTACHING PARTS -----		
- 57	NAS146-35	BOLT-----	6	
- 58	MS20365-624C	NUT -----	6	
- 59	NAS145-35	BOLT-----	2	
- 60	MS20365-524C	NUT -----	2	
- 61	MS20002-5C	WASHER -----	2	
		-----*-----		
- 62	0741008-1	SHOE-----	1	
		A---172 SERIAL 28000 THRU 36215 B---172 SERIAL 36216 THRU 46755 175 SERIAL 55001 THRU 56238 C---172 SERIAL 36216 THRU 46420 175 SERIAL 55001 THRU 55875 D---172 SERIAL 46421 THRU 46755 175 SERIAL 55876 THRU 56238 E---172 SERIAL 28000 THRU 46420 175 SERIAL 55001 THRU 55875 F---172 SERIAL 28000 THRU 46754 175 SERIAL 55001 THRU 56238		
		NOTE. FOR ACCESSORY KIT LISTINGS REFER TO PAGE 364		

FIGURE AND INDEX NO.	PART NUMBER	DESCRIPTION	UNITS PER ASSY	USABLE ON CODE
		1 2 3 4 5 6 7		
34A-		MAIN LANDING GEAR INSTALLATION -----		
- 1	0511071-3	PLATE-LANDING GEAR FILLET LH -----	NP	A
	0511071-4	PLATE-LANDING GEAR FILLET RH -----	1	
		ATTACHING PARTS		
- 2	S-1021Z-8-8	SCREW -----	6	
- 3	NAS395-17-3	NUT -----	6	
		-----*		
- 4	0511072-1	SEAL-LANDING GEAR FILLET -----	2	
		MAIN LANDING GEAR ASSEMBLY LH -----	NP	B
		MAIN LANDING GEAR ASSEMBLY LH -----	NP	C
		MAIN LANDING GEAR ASSEMBLY RH -----	NP	B
		MAIN LANDING GEAR ASSEMBLY RH -----	NP	C
		ATTACHING PARTS		
- 5	AN6-15A	BOLT -----	1	
- 6	MS20365-624C	NUT -----	1	
- 7	AN960D616	WASHER -----	2	
- 8	0541153	U BOLT -----	1	
- 9	MS20365-720C	NUT -----	1	
- 10	AN960D716	WASHER -----	2	
		-----*		
- 11	0541164-3	SPRING ASSEMBLY-LANDING GEAR LH -----	1	B
	0541158-3	SPRING ASSEMBLY-LANDING GEAR LH -----	1	C
	0541164-4	SPRING ASSEMBLY-LANDING GEAR RH -----	1	B
	0541158-4	SPRING ASSEMBLY-LANDING GEAR RH -----	1	C
	0541155-1	BRACKET-STEP LH -----	1	
	0541155-2	BRACKET-STEP RH -----	1	
- 12	0541154-1	STEP -----	1	
		ATTACHING PARTS		
- 13	AN507-1032R10	SCREW -----	1	
- 14	MS20365-1032C	NUT -----	3	
- 15	NAS221-9	SCREW -----	2	
		-----*		
- 16	0541156-1	STRAP LH -----	1	
	0541156-2	STRAP RH -----	1	
- 17	A3046A-4-92	CLAMP TIN -----	1	
		ATTACHING PARTS		
- 18	NAS220-6	SCREW -----	1	
- 19	MS20365-832C	NUT -----	1	
		-----*		
- 20	AN833-4D	ELBOW -----	1	
- 21	AN924-4D	NUT -----	1	
- 22	AN902B4	GASKET -----	1	
- 23	0741018-1	FAIRING-WHEEL -----	1	E
	1241063-2	FAIRING-WHEEL -----	1	F
		ATTACHING PARTS		
	NAS220-4	SCREW -----	3	F
	AN936-A8	WASHER -----	3	F
- 24	MS24665-351	COTTER PIN -----	1	
- 25	S-1117-24	NUT -----	1	
- 26	0541124	AXLE-MAIN LANDING GEAR -----	1	
		ATTACHING PARTS		
- 27	AN5-23A	BOLT -----	2	
	AN5-22A	BOLT-----ALTERNATE -----	2	
- 28	MS20365-524C	NUT -----	2	
- 29	AN6-23A	BOLT -----	2	
	AN6-24A	BOLT-----ALTERNATE -----	2	
- 30	MS20365-624C	NUT -----	2	
- 31	AN960-516L	WASHER AFT BOLT ONLY -----	1	
		-----*		
- 32	0541124-1	AXLE-HEAVY DUTY -----	1	
		ATTACHING PARTS		
	NAS146-40	BOLT -----	2	
	NAS146-42	BOLT-----ALTERNATE -----	2	
	MS20365-624C	NUT -----	2	
	NAS145-41	BOLT -----	2	
	NAS145-39	BOLT-----ALTERNATE -----	2	
	MS20365-524C	NUT -----	2	
	MS20002-5C	WASHER -----	1	
	MS20002-6C	WASHER -----	1	
		-----*		
- 33	0441114-3	PLATE-BRAKE DISC COVER LH -----	1	
	0441141-4	PLATE-BRAKE DISC COVER RH -----	1	
- 34	0441139-5	SHIM -----	AR	
	0441139-6	SHIM -----	AR	

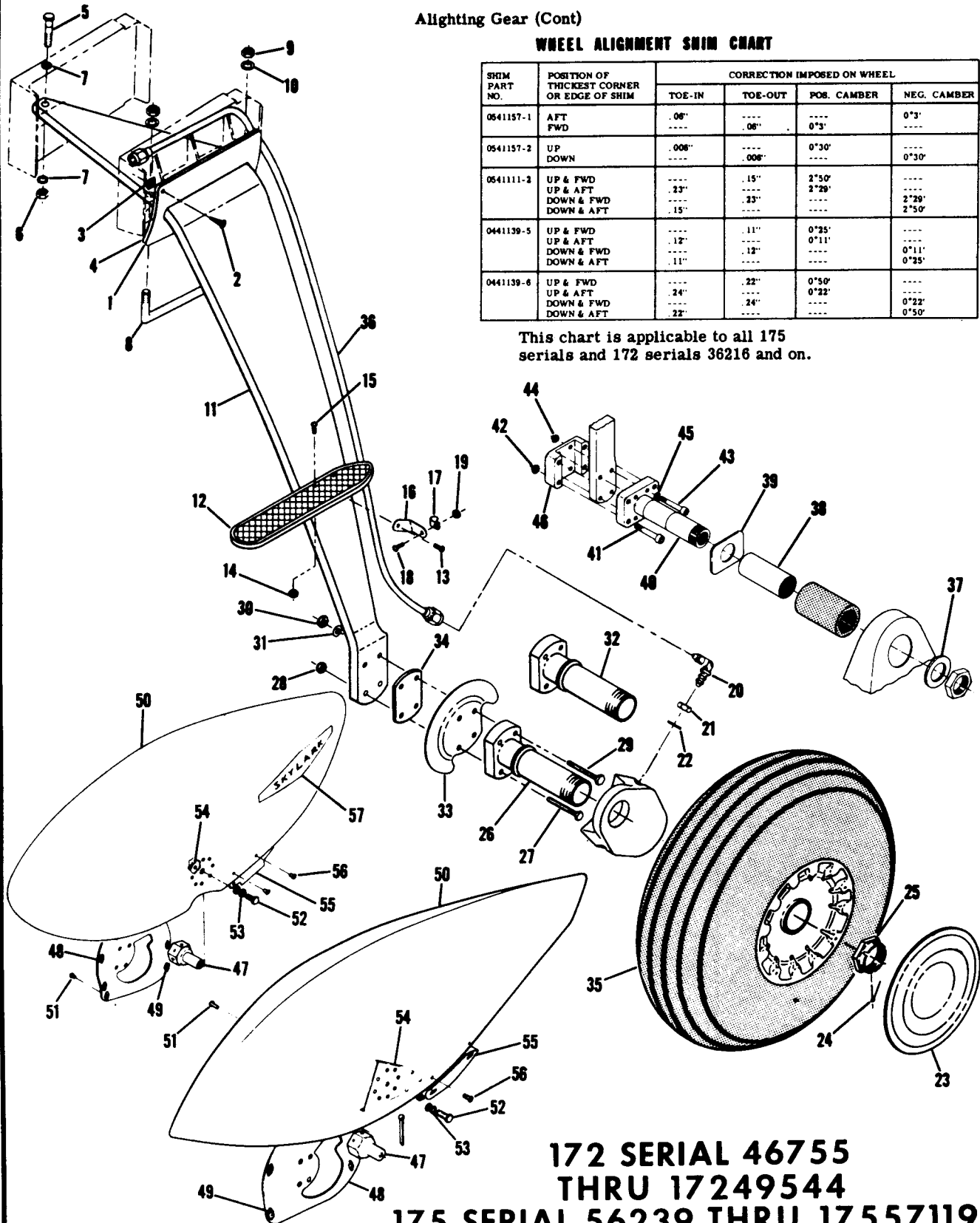
CONTINUED ON PAGES 100 & 101

Aligning Gear (Cont)

WHEEL ALIGNMENT SHIM CHART

SHIM PART NO.	POSITION OF THICKEST CORNER OR EDGE OF SHIM	CORRECTION IMPOSED ON WHEEL			
		TOE-IN	TOE-OUT	POS. CAMBER	NEG. CAMBER
0541157-1	AFT FWD	.06" ----	---- .06"	---- 0°3'	0°3' ----
0541157-2	UP DOWN	.008" ----	---- .008"	0°30' ----	---- 0°30'
0541111-2	UP & FWD UP & AFT DOWN & FWD DOWN & AFT	---- .23" ---- .15"	---- ---- .23" ----	2°50' 2°29' ---- ----	---- ---- 2°29' 2°50'
0441139-5	UP & FWD UP & AFT DOWN & FWD DOWN & AFT	---- .12" ---- .11"	---- ---- .12" ----	0°25' 0°11' ---- ----	---- ---- 0°11' 0°35'
0441139-6	UP & FWD UP & AFT DOWN & FWD DOWN & AFT	---- .24" ---- .22"	---- ---- .24" ----	0°50' 0°22' ---- ----	---- ---- 0°22' 0°50'

This chart is applicable to all 175 serials and 172 serials 36216 and on.



**172 SERIAL 46755
THRU 17249544
175 SERIAL 56239 THRU 17557119**

1962 & ON

Figure 34A. Main Landing Gear Installation

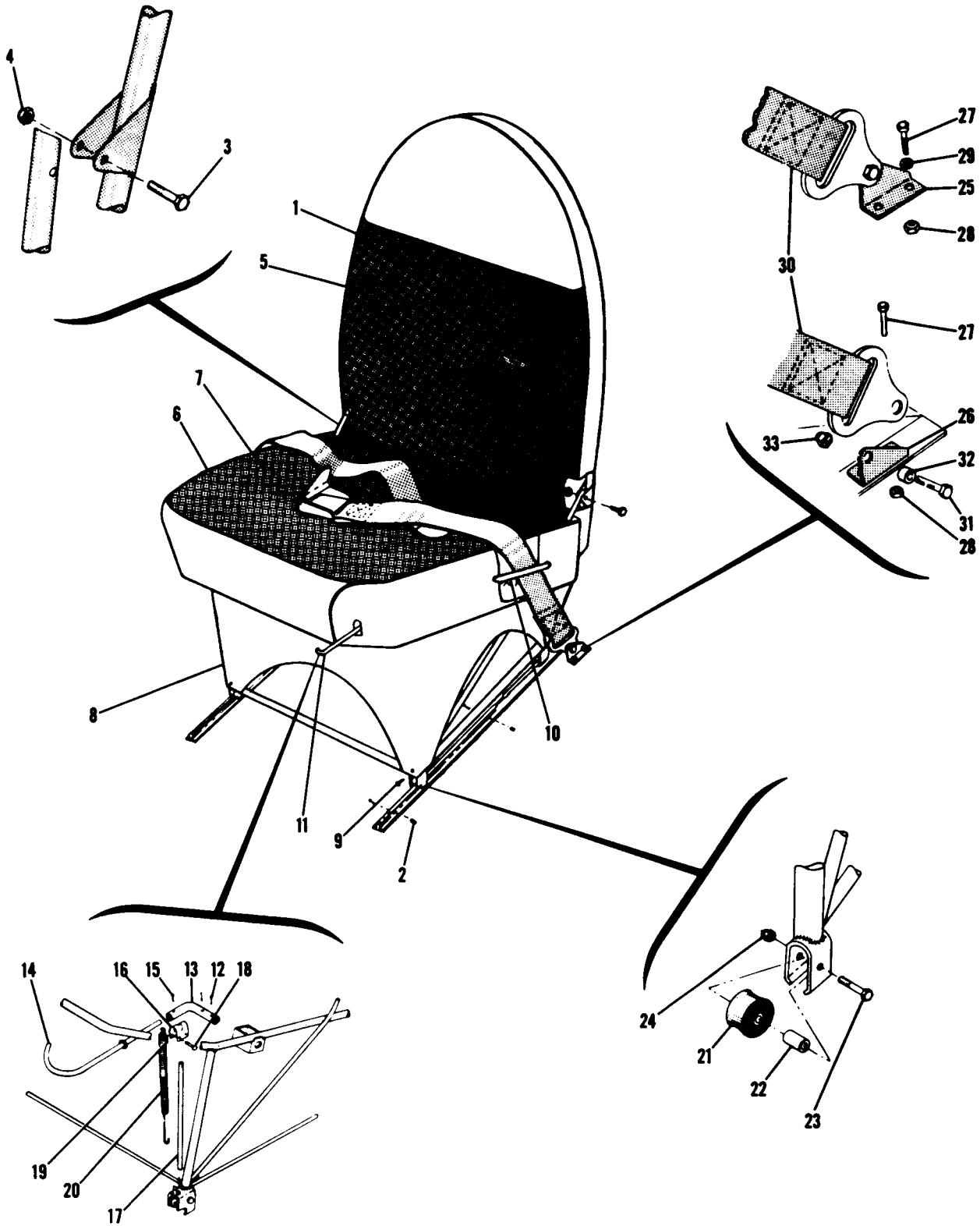
FIGURE AND INDEX NO.	PART NUMBER	DESCRIPTION	UNITS PER ASSY	USABLE ON CODE
		1 2 3 4 5 6 7		
34A-	0541111-2	SHIM-----	AR	
	0541157-1	SHIM-----	AR	
	0541157-2	SHIM-----	AR	
- 35		WHEEL & BRAKE ASSY-MAIN LANDING GEAR SEE FIG 99	1	
- 36	0500106-279	LINE ASSEMBLY-BRAKE LH	1	C
	0500106-281	LINE ASSEMBLY-BRAKE LH	1	B
	0500106-280	LINE ASSEMBLY-BRAKE RH	1	C
	0500106-282	LINE ASSEMBLY-BRAKE RH	1	B
	0741008-5	AXLE ASSEMBLY-SKI LANDING GEAR	1	
- 37	0741008-3	WASHER	1	
- 38	0741008-4	BUSHING	1	
- 39	0741008-2	WASHER	1	
- 40	0741103	AXLE-SKI LANDING GEAR ATTACHING PARTS	1	
- 41	NAS146-35	BOLT	6	
- 42	MS20365-624C	NUT	6	
- 43	NAS145-35	BOLT	2	
- 44	MS20365-524C	NUT	2	
- 45	MS20002-5C	WASHER	2	
- 46	0741008-1	SHOE	1	
- 47	0441130-1	SPEED FAIRING INSTALLATION-MAIN LANDING GEAR	NP	
	0441130-2	NUT-WHEEL FAIRING SUPPORT	2	G
	MS24665-362	NUT-WHEEL FAIRING SUPPORT	2	H
		COTTER PIN	2	
- 48	0441143-26	PLATE ASSEMBLY-WHEEL FAIRING RH	1	G
	0741610-12	SUPPORT BRACKET ASSEMBLY RH	1	H
	0441143-27	PLATE ASSEMBLY-WHEEL FAIRING LH	1	G
	0741610-11	SUPPORT BRACKET ASSEMBLY LH	1	H
- 49	NAS686A3	NUTPLATE	7	
- 50	0742410-16	FAIRING ASSEMBLY-MAIN LANDING GEAR RH	1	G
	0742410-17	FAIRING ASSEMBLY-MAIN LANDING GEAR LH	1	G
	0741610-5	FAIRING ASSEMBLY-MAIN LANDING GEAR LH	1	H
	0741610-6	FAIRING ASSEMBLY-MAIN LANDING GEAR RH	1	H
		ATTACHING PARTS		
- 51	AN520-10R10	SCREW	7	
- 52	AN6-5A	BOLT	1	G
	AN6-6A	BOLT	1	H
- 53	AN936B616	WASHER	1	
	AN960-616L	WASHER	1	
		FAIRING-FIBERGLASS RH	1	G
	0742410-18	FAIRING-FIBERGLASS LH	1	G
- 54	0742410-12	DOUBLER	1	G
	0541180-1	DOUBLER	1	H
- 55	0742410-13	SCRAPER	1	G
	0741610-19	SCRAPER	1	H
		ATTACHING PARTS		
- 56	AN520-10R10	SCREW	3	
	MS20365-1032C	NUT	3	
- 57	0541159-4	DOUBLER	1	G
	0500090-1	INSIGNIA-SKYLARK	2	D
	0500085-1	INSIGNIA-CESSNA	2	J

NOTE. *SEE NOTE □ ON FIGURE 99

- A---172 SERIAL 46755 THRU 17249544
- 175 SERIAL 56239 THRU 17557119
- B---175 SERIAL 56239 THRU 17249544
- 172 SERIAL 17247747 THRU 17249544
- C---172 SERIAL 46755 THRU 47746
- D---175 SKYLARK SERIAL 17556778 THRU 17557002
- E---172 SERIAL 46755 THRU 17248701
- 175 SERIAL 56239 THRU 17557002
- F---172 SERIAL 17248702 THRU 17249544
- 175 SERIAL 17557003 THRU 17557119
- G---172 SERIAL 46755 THRU 17248734
- 175 SERIAL 56239 THRU 17557002
- H---172 SERIAL 17248735 THRU 17249544
- 175 SERIAL 17557003 THRU 17557119
- J---172 SKYHAWK SERIAL 17247747 THRU 17248734

NOTE. FOR ACCESSORY KIT LISTINGS REFER TO PAGE 364

Front Seat

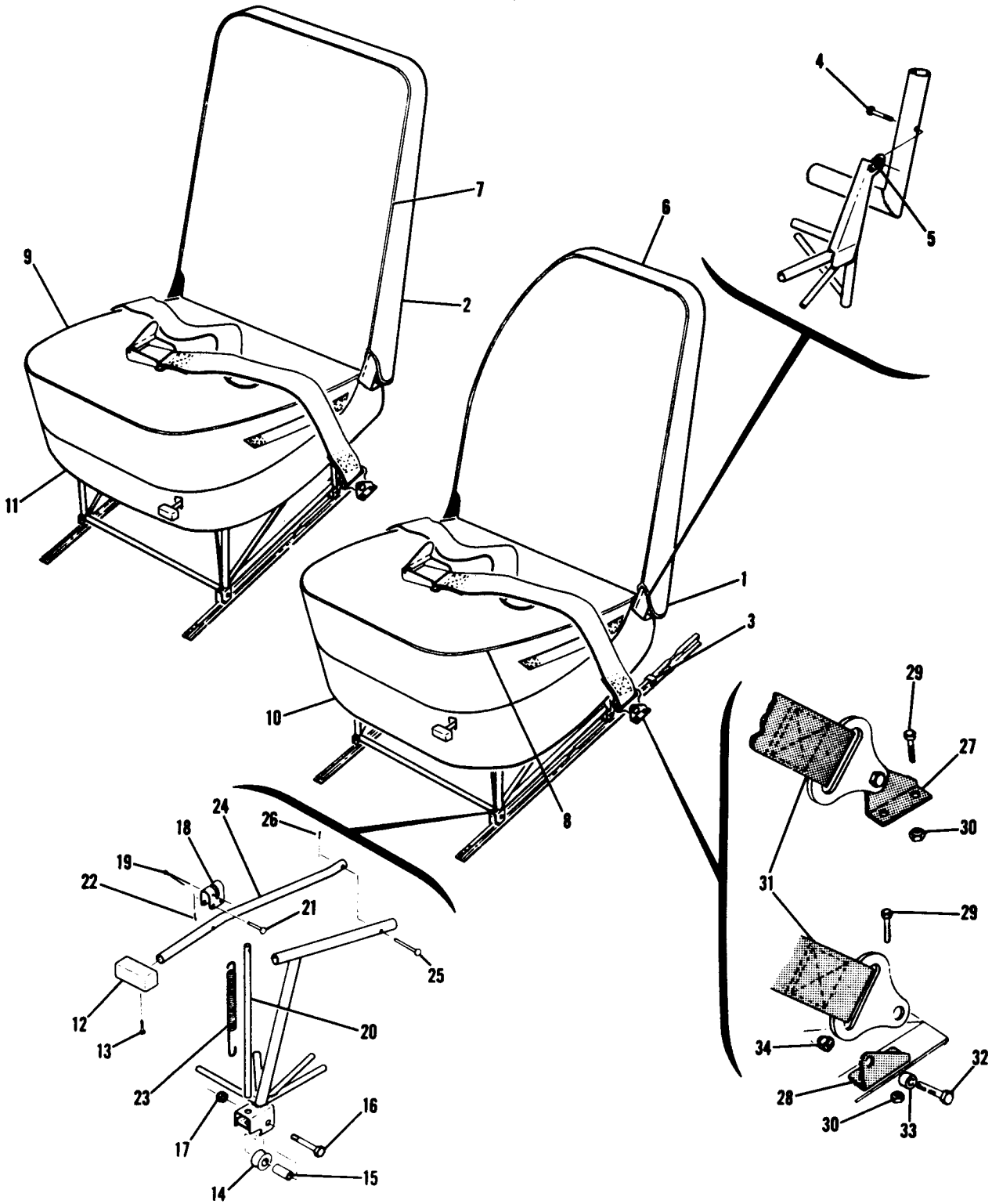


172 SERIAL 28000 THRU 36215

Figure 35. Front Seat Installation

FIGURE AND INDEX NO.	PART NUMBER	DESCRIPTION	UNITS PER ASSY	USABLE ON CODE
		1 2 3 4 5 6 7		
35-		SEAT INSTALLATION-FRONT-----	NP	C
- 1	0500103-96	SEAT ASSEMBLY-FRONT RH -----	1	A
	0500104-8	SEAT ASSEMBLY-FRONT RH -----	1	B
	0500103-97	SEAT ASSEMBLY-FRONT LH -----	1	A
	0500104-7	SEAT ASSEMBLY-FRONT LH -----	1	B
		ATTACHING PARTS		
- 2	0511301-67	BUSHING-SEAT STOP -----	1	D
	MS24665-353	PIN-COTTER -----	1	D
	0713074-1	SEAT STOP -----	2	E
	MS20392-1-21	PIN-CLEVIS -----	2	E
	MS24665-148	PIN-COTTER -----	2	E
		-----*		
	0511103-50	BACK ASSEMBLY-FRONT SEAT RH -----	1	A
	0500104-14	BACK ASSEMBLY-FRONT SEAT RH -----	1	B
	0511103-57	BACK ASSEMBLY-FRONT SEAT LH -----	1	A
	0500104-13	BACK ASSEMBLY-FRONT SEAT LH -----	1	B
		ATTACHING PARTS		
- 3	AN4-12A	BOLT-----	2	
- 4	MS20365-428C	NUT-----	2	
		-----*		
- 5	0500103-88	COVER ASSEMBLY-FRONT SEAT BACK RH -----	1	A
	0500104-16	COVER ASSEMBLY-FRONT SEAT BACK RH -----	1	B
	0500103-89	COVER ASSEMBLY-FRONT SEAT BACK LH -----	1	A
	0500104-15	COVER ASSEMBLY-FRONT SEAT BACK LH -----	1	B
- 6	0500103-80	CUSHION ASSEMBLY-FRONT SEAT BOTTOM -----	1	A
	0500104-18	CUSHION ASSEMBLY-FRONT SEAT BOTTOM -----	1	B
- 7	0500103-95	COVER ASSEMBLY-FRONT SEAT BOTTOM -----	1	A
	0500104-17	COVER ASSEMBLY-FRONT SEAT BOTTOM -----	1	B
- 8	0511173	SKIRT-FRONT SEAT -----	1	
		ATTACHING PARTS		
- 9	S-10212-6-4	SCREW CESSNA STANDARD -----	4	
		-----*		
- 10	0511172	RETAINER-SEAT BOTTOM UPHOLSTERY-----	1	
- 11	0511301-166	HANDLE ASSEMBLY-FRONT SEAT ADJUSTMENT -----	1	
		ATTACHING PARTS		
- 12	MS24665-351	PIN -----	2	
		-----*		
- 13	0511184	ATTACHMENT-SEAT HANDLE -----	1	
- 14	0511301-120	HANDLE-FRONT SEAT ADJUSTMENT -----	1	
		ATTACHING PARTS		
- 15	MS24665-351	PIN -----	2	
		-----*		
- 16	0311644	CLEVIS-FRONT SEAT ADJUSTMENT -----	1	
- 17	0311311-1	ROD-FRONT SEAT ADJUSTMENT -----	1	
		ATTACHING PARTS		
- 18	MS20392-1-15	PIN-CLEVIS -----	1	
- 19	MS24665-351	PIN-COTTER -----	1	
		-----*		
- 20	0310196-2	SPRING-COIL -----	1	
- 21	0311310	ROLLER-SEAT-----	4	
		ATTACHING PARTS		
- 22	0311586	BUSHING -----	1	
- 23	AN3-11A	BOLT -----	1	
- 24	MS20365-1032C	NUT -----	1	
		-----*		
- 25	0511301-19	BRACKET-SAFETY BELT ATTACHMENT LH -----	2	
- 26	0511301-18	BRACKET-SAFETY BELT ATTACHMENT RH -----	2	
		ATTACHING PARTS		
- 27	AN3-4A	BOLT -----	2	
- 28	MS20365-1032C	NUT -----	2	
- 29	AN960-10	WASHER-----LH ONLY -----	1	
	AN970-3	WASHER-----UNDER FORWARD NUTS ONLY -----	2	
		-----*		
- 30	0311710-9	BELT ASSY-SAFETY-----WHEN EXHAUSTED USE S-1060-12 -----	2	A
	S-1060-12	BELT ASSEMBLY-SAFETY CESSNA STANDARD-----	2	A
	0311710-11	BELT ASSY-SAFETY-----WHEN EXHAUSTED USE S-1060-3 -----	2	B
	S-1060-3	BELT ASSEMBLY-SAFETY CESSNA STANDARD-----	2	B
		ATTACHING PARTS		
- 31	AN4-6A	BOLT -----	2	
- 32	NAS43-4-20	SPACER-----	2	
- 33	MS20365-428C	NUT -----	2	
		-----*		
		A---172 SERIAL 28000 THRU 29174		
		B---172 SERIAL 29175 THRU 36215		
		C---172 SERIAL 28000 THRU 36215		
		D---172 SERIAL 28000 THRU 29797		
		E---172 SERIAL 29798 THRU 36215		

Front Seat (Cont)



172 SERIAL 36216 THRU 17249544
175 SERIAL 55001 THRU 17557119

Figure 36. Front Seat Installation

FIGURE AND INDEX NO.	PART NUMBER	DESCRIPTION	UNITS PER ASSY	USABLE ON CODE
		1 2 3 4 5 6 7		
36-		SEAT INSTALLATION-FRONT-----		
- 1	0500104-55	SEAT ASSEMBLY-FRONT RH	NP	A
	0500104-22	SEAT ASSEMBLY-FRONT RH	1	D
- 2	0500104-78	SEAT ASSEMBLY-FRONT RH	1	E
	0500104-79	SEAT ASSEMBLY-FRONT RH	1	B
	0500104-54	SEAT ASSEMBLY-FRONT LH	1	C
	0500104-21	SEAT ASSEMBLY-FRONT LH	1	D
	0500104-73	SEAT ASSEMBLY-FRONT LH	1	E
	0500104-74	SEAT ASSEMBLY-FRONT LH	1	B
	0500104-103	SEAT ASSEMBLY-FRONT LH	1	C
		SEAT ASSEMBLY-FRONT	2	J
		ATTACHING PARTS		
- 3	0713074-1	SEAT STOP -----	2	
	MS20392-1-21	PIN -----	2	
	MS24665-148	PIN-COTTER -----	2	
		-----*		
	0500104-26	BACK ASSEMBLY-FRONT SEAT RH -----	1	F
	0500104-75	BACK ASSEMBLY-FRONT SEAT RH -----	1	K
	0500104-25	BACK ASSEMBLY-FRONT SEAT LH -----	1	F
	0500104-69	BACK ASSEMBLY-FRONT SEAT LH -----	1	K
	0500104-105	BACK ASSEMBLY-FRONT SEAT -----	1	J
		ATTACHING PARTS		
- 4	AN4-12A	BOLT-----	2	
- 5	MS20365-428C	NUT -----	2	
		-----*		
- 6	0500104-23	COVER ASSEMBLY-FRONT SEAT LH -----	1	F
- 7	0500104-71	COVER ASSEMBLY-FRONT SEAT LH -----	1	K
	0500104-24	COVER ASSEMBLY-FRONT SEAT RH -----	1	F
	0500104-77	COVER ASSEMBLY-FRONT SEAT RH -----	1	K
	0500104-106	COVER ASSEMBLY-FRONT SEAT -----	1	J
- 8	0700105-47	CUSHION ASSEMBLY-FRONT SEAT BOTTOM -----	1	F
- 9	0700105-347	CUSHION ASSEMBLY-FRONT SEAT BOTTOM -----	1	G
	0700105-21	COVER ASSEMBLY-FRONT SEAT BOTTOM -----	1	
- 10	0700105-81	SKIRT-FRONT SEAT -----	1	F
- 11	0700105-381	SKIRT-FRONT SEAT -----	1	G
- 12	0700106-1	KNOB-FRONT SEAT ADJUSTMENT-----	1	
		ATTACHING PARTS		
- 13	S-1021Z-6-8	SCREW CESSNA STANDARD -----	1	
		-----*		
- 14	0311310	ROLLER -----	4	
- 15	0311586	BUSHING -----	4	
- 16	AN3-11A	BOLT -----	4	
- 17	MS20365-1032C	NUT -----	4	
- 18	0311644	CLEVIS -----	1	
		ATTACHING PARTS		
- 19	MS24665-285	PIN-COTTER -----	1	
		-----*		
- 20	0711031-1	PIN-FRONT SEAT ADJUSTMENT -----	1	
		ATTACHING PARTS		
- 21	MS20392-1-15	PIN-CLEVIS -----	1	
- 22	MS24665-134	PIN-COTTER -----	1	
		-----*		
- 23	0310196-2	SPRING-COIL -----	1	
- 24	0711030-20	TUBE-HANDLE -----	1	
		ATTACHING PARTS		
- 25	MS20392-2-31	PIN-FLAT HEAD -----	1	
- 26	MS24665-134	PIN-COTTER -----	1	
		-----*		

CONTINUED ON PAGE 106



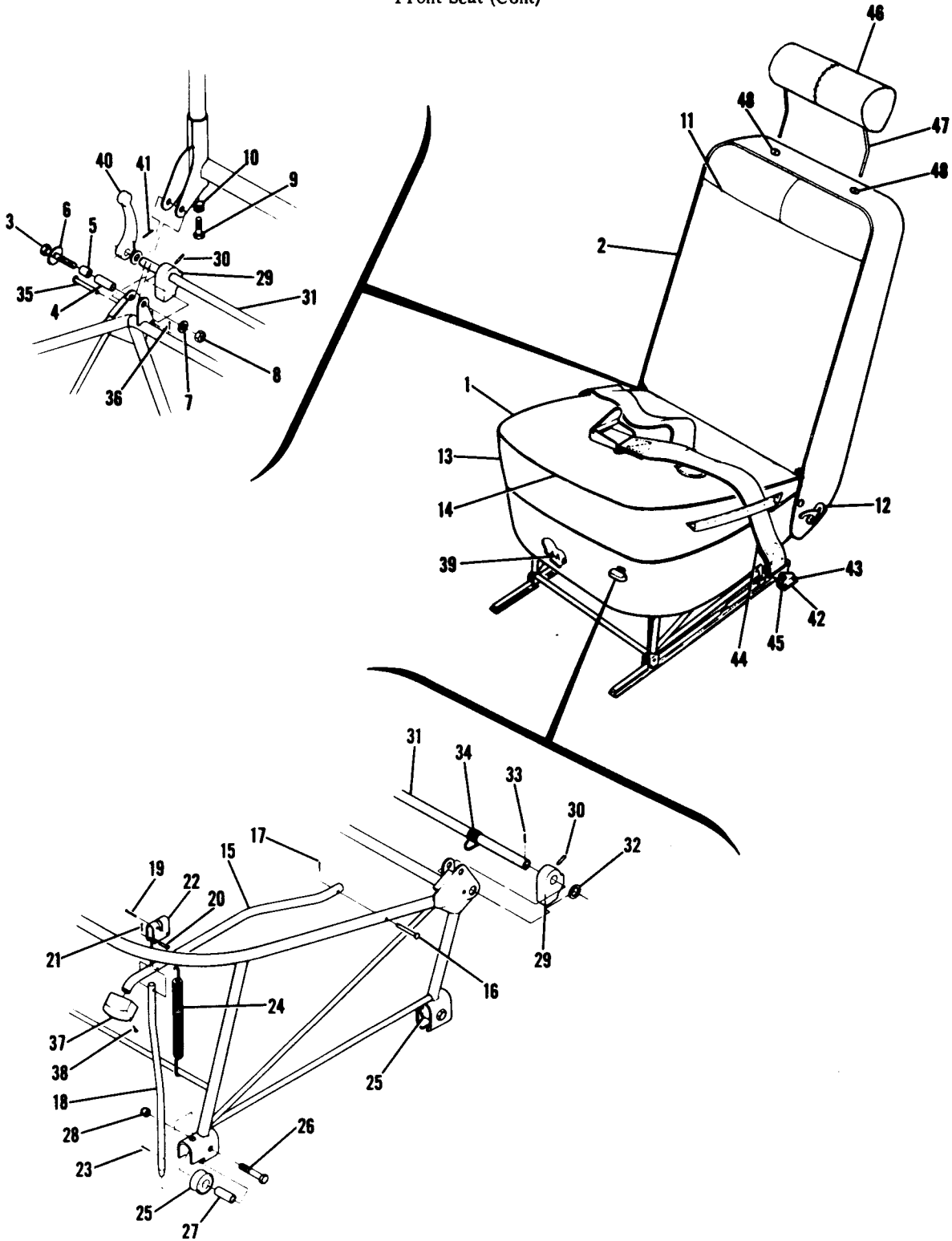
illustrated parts catalog

Models 172 & 175

FIGURE AND INDEX NO.	PART NUMBER	DESCRIPTION	UNITS PER ASSY	USABLE ON CODE		
					1	2
36- 27	0511301-19	BRACKET-SAFETY BELT ATTACHMENT LH -----	2			
- 28	0511301-18	BRACKET-SAFETY BELT ATTACHMENT RH -----	2			
		ATTACHING PARTS -----				
- 29	AN3-4A	BOLT -----	2			
- 30	MS20365-1032C	NUT -----	2			
	AN970-3	WASHER-----UNDER FORWARD NUTS ONLY -----	2			
		-----*				
- 31	0311710-11	BELT ASSEMBLY WHEN EXHAUSTED USE S-1060-3-----	2	F		
	S-1060-3	BELT ASSEMBLY-CESSNA STANDARD -----	2	H		
	S-1060-15	BELT ASSEMBLY CESSNA STANDARD -----	2	J		
		ATTACHING PARTS -----				
- 32	AN4-6A	BOLT -----	2			
- 33	NAS43-4-20	SPACER-----	2			
- 34	MS20365-428C	NUT -----	2			
		-----*				
		A---172 SERIAL 36216 THRU 17249544				
		175 SERIAL 55001 THRU 17557119				
		B---172 SERIAL 46755 THRU 47746				
		C---172 SERIAL 17247747 THRU 17248734				
		175 SERIAL 56239 THRU 17557002				
		D---172 SERIAL 36216 THRU 46754				
		E---175 SERIAL 55001 THRU 56238				
		F---172 SERIAL 36216 THRU 46754				
		175 SERIAL 55001 THRU 56238				
		G---172 SERIAL 46755 THRU 17249544				
		175 SERIAL 56239 THRU 17557119				
		H---172 SERIAL 36216 THRU 17248734				
		175 SERIAL 55001 THRU 17557003				
		J---172 SERIAL 17248735 THRU 17249544				
		175 SERIAL 17557003 THRU 17557119				
		K---172 SERIAL 46755 THRU 17248734				
		175 SERIAL 56239 THRU 17557002				

This page intentionally left blank.

Front Seat (Cont)



172 SERIAL 17247747 THRU 17248734
175 SERIAL 17556778 THRU 17557002

Figure 36A. Reclining Front Seat Installation

FIGURE AND INDEX NO.	PART NUMBER	DESCRIPTION	UNITS PER ASSY	USABLE ON CODE
		1 2 3 4 5 6 7		
36A-		RECLINING SEAT INSTALLATION-FRONT -----	NP	A
- 1	0500104-88	SEAT ASSEMBLY-RECLINING RH-----	1	
	0500104-87	SEAT ASSEMBLY-RECLINING LH-----	1	
	0713074-1	ATTACHING PARTS -----		
	MS20392-1-21	SEAT STOP -----	2	
	MS24665-148	PIN -----	2	
		PIN-COTTER -----	2	
		-----*		
- 2	0500104-96	SEAT BACK ASSEMBLY-RH-----	1	
	0500104-97	SEAT BACK ASSEMBLY-LH-----	1	
		ATTACHING PARTS -----		
- 3	NAS428-4-16	BOLT-----	2	
- 4	0710313-1	HINGE BUSHING -----	2	
- 5	0710313-2	BUSHING -----	2	
- 6	S-1074-1	WASHER -----	2	
- 7	AN960-416L	WASHER -----	2	
- 8	MS20365-428C	NUT -----	2	
		-----*		
- 9	NAS603-16	SCREW SEAT BACK STOP -----	2	
- 10	AN960D10	WASHER -----	AR	
- 11	0500104-91	COVER ASSEMBLY-SEAT BACK -----	1	
- 12	0700105-397	PLATE ASSEMBLY-TRIM -----	1	
- 13	0500104-98	SEAT BOTTOM ASSEMBLY -----	1	
- 14	0500104-93	COVER ASSEMBLY-SEAT BOTTOM-----	1	
- 15	0710316-1	HANDLE-SEAT LATCH -----	1	
		ATTACHING PARTS -----		
- 16	MS20392-2-31	PIN -----	1	
- 17	MS24665-134	COTTER PIN -----	1	
		-----*		
- 18	0710304-2	PIN-SEAT LATCH -----	1	
		ATTACHING PARTS -----		
- 19	MS24665-285	COTTER PIN -----	1	
- 20	MS20392-1-15	PIN -----	1	
- 21	MS24665-134	COTTER PIN -----	1	
- 22	0311644	CLEVIS -----	1	
- 23	MS24665-132	COTTER PIN -----	1	
		-----*		
- 24	0310196-15	SPRING -----	1	
- 25	0311310	ROLLER -----	4	
		ATTACHING PARTS -----		
- 26	AN3-11A	BOLT -----	1	
- 27	0311586	BUSHING-----	1	
- 28	MS20365-1032C	NUT -----	1	
		-----*		
- 29	0710309-1	RECLINER CAM-----	2	
		ATTACHING PARTS -----		
- 30	NAS561C3-12	ROLL PIN -----	1	
		-----*		
- 31	0710302-1	TUBE -----	1	
		ATTACHING PARTS -----		
- 32	AN960C616L	WASHER -----	2	
- 33	NAS561C2-10	ROLL PIN -----	2	
		-----*		
- 34	0710308-1	SPRING -----	1	
- 35	MS20392-1-39	PIN -----	2	
- 36	MS24665-132	COTTER PIN -----	2	
- 37	0700106-1	HANDLE-SEAT LATCH -----	1	
		ATTACHING PARTS -----		
- 38	S-10212-6-8	SCREW CESSNA STANDARD -----	1	
		-----*		
- 39	0500104-89	SKIRT -----	1	
		ATTACHING PARTS -----		
	S-10212-4-6	SCREW CESSNA STANDARD -----	11	
		-----*		

CONTINUED ON PAGE 110



FIGURE AND INDEX NO.	PART NUMBER	DESCRIPTION	UNITS PER ASSY	USABLE ON CODE
36A- 40	0710312-2	HANDLE-ACTUATOR ATTACHING PARTS	1	
- 41	NAS561C2-10	ROLL PIN	1	
- 42	0511301-19 0511301-18	BRACKET-SAFETY BELT ATTACHMENT LH BRACKET-SAFETY BELT ATTACHMENT RH ATTACHING PARTS	2 2	
- 43	AN3-4A MS20365-1032C AN970-3	BOLT NUT WASHER-----UNDER FORWARD NUTS ONLY	2 2 2	
- 44	S-1060-3	BELT ASSEMBLY CESSNA STANDARD ATTACHING PARTS	2	
- 45	AN4-6A NAS43-4-20 MS20365-428C	BOLT SPACER NUT	2 2 2	
- 46	0500104-94	HEADREST INSTALLATION CUSHION ASSY	NP 1	
- 47	1200108-1	FRAME-HEADREST	1	
- 48	0700320-1	RETAINERS	4	
		A---172 SERIAL 17247747 THRU 17248734 175 SERIAL 17556778 THRU 17557002		

FIGURE AND INDEX NO.	PART NUMBER	DESCRIPTION	UNITS PER ASSY	USABLE ON CODE
		1 2 3 4 5 6 7		
368-		SEAT INSTALLATION-ADJUSTABLE FRONT	NP	A
- 1	1200162-21 1200162-22	SEAT ASSEMBLY-ADJUSTABLE FRONT LH SEAT ASSEMBLY-ADJUSTABLE FRONT RH	1 1	
		ATTACHING PARTS	1	
- 2	0713074-1 MS20392-1-21 MS24665-148	STOP-SEAT PIN-CLEVIS PIN-COTTER	2 2 2	

- 3	1200162-25 1200162-26	BACK ASSEMBLY-SEAT UPHOLSTERED LH BACK ASSEMBLY-SEAT UPHOLSTERED RH	1 1	
		ATTACHING PARTS	1	
-- 4	AN24-28A	BOLT	2	
- 5	AN960-416L	WASHER	2	
- 6	0710313-2	BUSHING	2	
- 7	S-1074-1	WASHER	2	
- 8	MS20365-428C	NUT	2	

- 9	1200162-28	COVER ASSEMBLY-SEAT BACK	1	
- 10	0700105-425 0700105-397	PANEL ASSEMBLY-REAR PLATE ASSEMBLY-ACTUATOR LEVER TRIM	1 1	
- 11	AN960D10	WASHER	1	
- 12	NAS603-10	SCREW	1	
- 13	0700320-1 0800023-5	RETAINER-HEADREST HEADREST ASSEMBLY-SEAT	2 1	
- 14	1200108-1	FRAME-HEADREST	1	
- 15	1200134-1	CUSHION-HEADREST	1	
- 16	1200162-23 1200162-24	CUSHION ASSEMBLY-SEAT UPHOLSTERED LH CUSHION ASSEMBLY-SEAT UPHOLSTERED RH	1 1	
- 17	1200161-1	SKIRT-FRONT SEAT	1	
		ATTACHING PARTS	1	
- 18	S-1021Z-4-6	SCREW	11	

- 19	1200164-1	KNOB-FRONT SEAT LATCH	1	
		ATTACHING PARTS	1	
	S-1022Z-6-10	SCREW	1	

- 20	1200162-27	COVER-SEAT BOTTOM	1	
- 21	0710312-2	HANDLE-SEAT BACK ACTUATOR	1	
		ATTACHING PARTS	1	
- 22	NAS561C3-10	ROLL PIN	1	

- 23	1200163-1 1200163-2	SEAT BOTTOM MECHANISM INSTALLATION-ADJUSTABLE BOTTOM ASSEMBLY-SEAT LH BOTTOM ASSEMBLY-SEAT RH	NP 1 1	
- 24	1200142-1 1200142-2	ARM ASSEMBLY-LH SEAT ARM ASSEMBLY-RH SEAT	2 2	
		ATTACHING PARTS	2	
- 25	NAS561-6-18	ROLL PIN	2	

- 26	1200136-1	COLLAR-TORQUE TUBE	3	
		ATTACHING PARTS	1	
- 27	NAS561-6-18	ROLL PIN	1	

- 28	1200147-1	TORQUE TUBE-AFT	1	
- 29	1200147-2	TORQUE TUBE-FORWARD	1	
- 30	1200152-1	LATCH PIN	1	
		ATTACHING PARTS	1	
- 31	MS24665-132	PIN-COTTER	1	
- 32	0311644	CLEVIS	1	
- 33	MS20392-1-15 MS24665-134	PIN-FLATHEAD PIN-COTTER	1 1	
- 34	MS24665-285	PIN-COTTER	1	

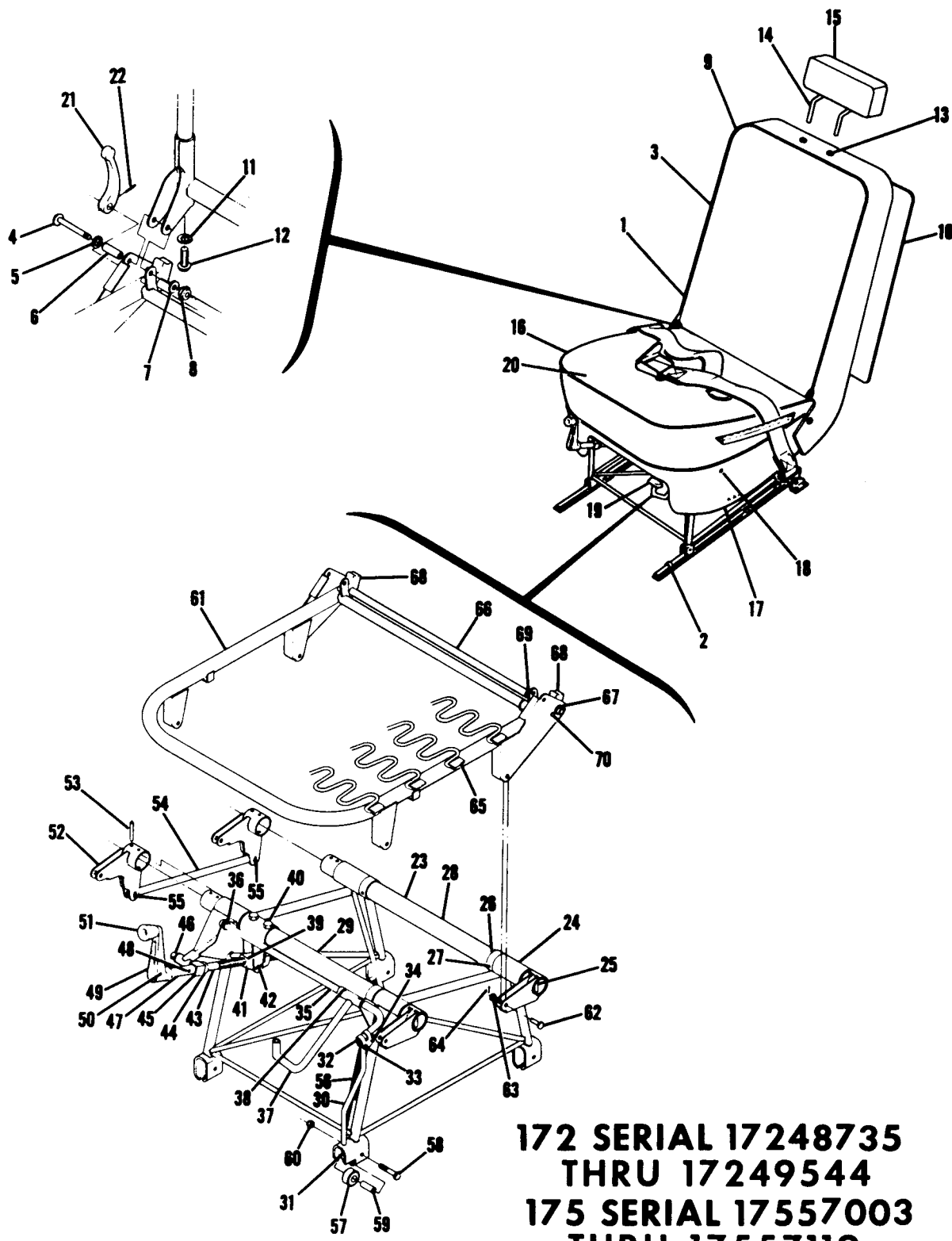
- 35	1200146-1	TORQUE TUBE-LATCH PIN	1	
		ATTACHING PARTS	1	
- 36	AN960C616L MS24665-134	WASHER PIN-COTTER	1 1	

- 37	1200157-1	ARM ASSEMBLY-SEAT CATCH PIN	1	
		ATTACHING PARTS	1	
- 38	NAS561P3-8	ROLL PIN	2	

CONTINUED ON PAGES 112 & 113

S-PART NOS. APPEARING ON THIS PAGE ARE CESSNA STANDARDS.

Front Seat (Cont)



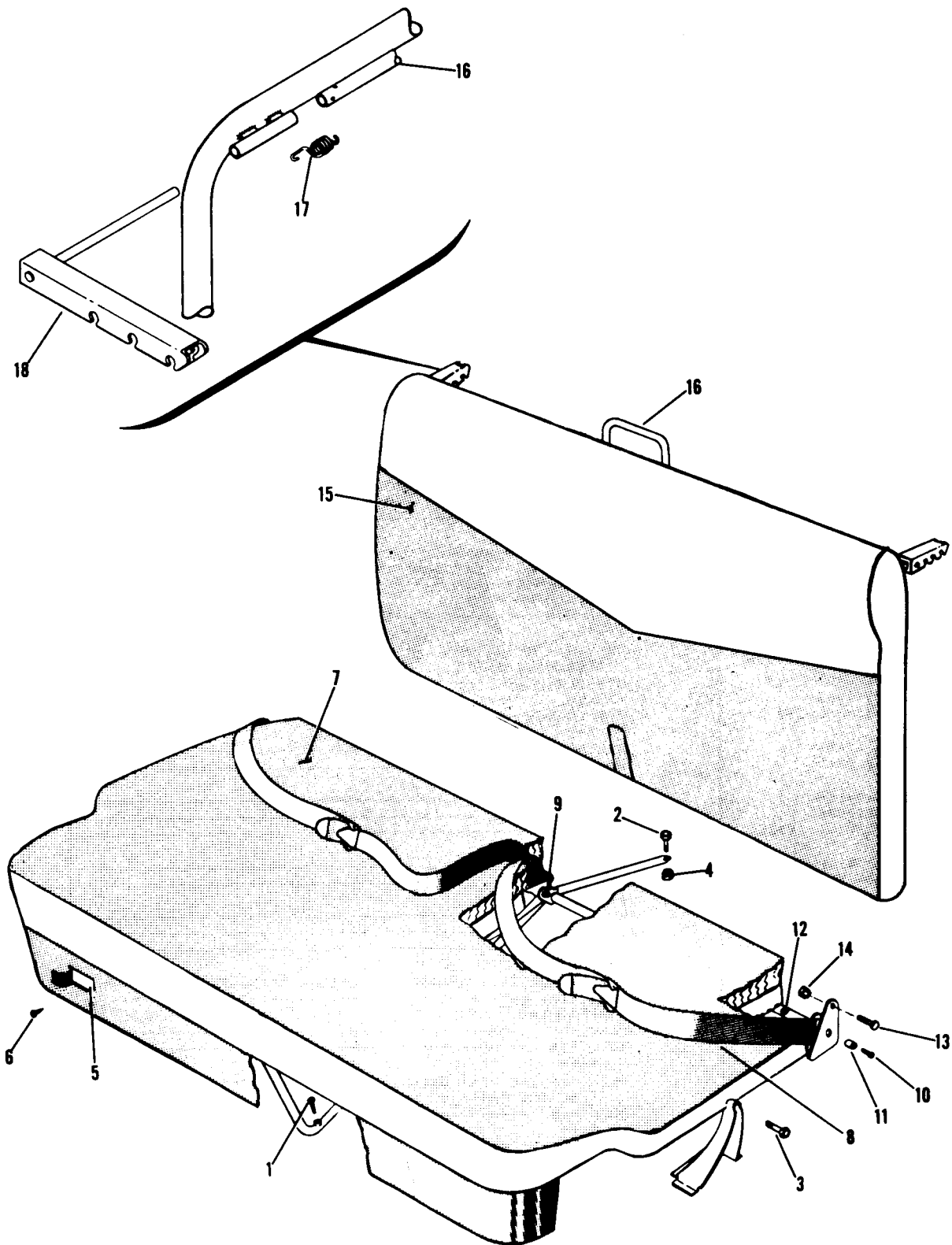
**172 SERIAL 17248735
THRU 17249544
175 SERIAL 17557003
THRU 17557119**

Figure 36B. Adjustable Front Seat

FIGURE AND INDEX NO.	PART NUMBER	DESCRIPTION	UNITS PER ASSY	USABLE ON CODE
		1 2 3 4 5 6 7		
368- 39	1200141-1 1200141-2	BELLCRANK ASSEMBLY-LH SEAT SCREW ----- BELLCRANK ASSEMBLY-RH SEAT SCREW -----	1 1	
- 40	AN4-14A MS20365-428C	ATTACHING PARTS BOLT ----- NUT -----	2 2	
- 41	1200139-1	NUT-SEAT ADJUST SCREW ----- ATTACHING PARTS	1	
- 42	MS20392-2-20 AN960-10 MS24665-132	PIN-FLATHEAD ----- WASHER ----- PIN-COTTER -----	1 1 1	
- 43	1200155-1	SCREW-ADJUSTABLE FRONT SEAT -----	1	
- 44	1200138-1 NAS561P4-10	COLLAR-ADJUSTABLE FRONT SEAT SCREW----- ATTACHING PARTS ROLL PIN -----	1 1 1	
- 45	1200154-1	BEARING BLOCK-SCREW ----- ATTACHING PARTS	1	
- 46	AN960-716 MS24665-351	WASHER ----- PIN -----	1 1	
- 47	1200156-1	SPACER-SCREW HANDLE ----- ATTACHING PARTS	1	
- 48	NAS561P4-8	ROLL PIN -----	1	
- 49	1200159-1	HANDLE ASSEMBLY-ADJUSTABLE FRONT SEAT ----- ATTACHING PARTS	1	
- 50	NAS561P4-12	ROLL PIN -----	1	
- 51	1200092-1	KNOB-SCREW HANDLE -----	1	
- 52	1200143-1 1200143-2	ARM ASSEMBLY-SEAT LH----- ARM ASSEMBLY-SEAT RH-----	2 2	
- 53	NAS561-6-18	ATTACHING PARTS ROLL PIN -----	2	
- 54	1200137-1	ROD-SEAT ACTUATOR ----- ATTACHING PARTS	1	
- 55	MS20392-2-17 AN960-10 MS24665-132	PIN-FLATHEAD ----- WASHER ----- PIN-COTTER -----	2 2 2	
- 56	0310196-17	SPRING-SEAT LATCH PIN -----	1	
- 57	0311310	ROLLER-SEAT ----- ATTACHING PARTS	4	
- 58	AN3-11A	BOLT -----	1	
- 59	0311586	BUSHING-ROLLER -----	1	
- 60	MS20365-1032C	NUT -----	1	
- 61	1200158-1 1200158-5	FRAME ASSEMBLY-SEAT LH----- FRAME ASSEMBLY-SEAT RH----- ATTACHING PARTS	1 1	
- 62	MS20392-2-23	PIN -----	4	
- 63	AN960-10	WASHER -----	4	
- 64	MS24665-132	PIN-COTTER -----	4	
- 65	S-1146-1	CLIP-UPHOLSTERY SPRING -----	8	
- 66	0710302-1	TUBE-SEAT BACK RECLINER ----- ATTACHING PARTS	1	
- 67	AN960C616L NAS561C3-10	WASHER ----- ROLL PIN -----	2 2	
- 68	0710317-1 NAS561C3-12	RECLINER CAM-SEAT BACK ----- ATTACHING PARTS ROLL PIN -----	2 1	
- 69	0710308-1	SPRING-CAM RETURN -----	1	
- 70	MS20392-1-39 MS24665-130	PIN-FLATHEAD ----- ATTACHING PARTS PIN-COTTER -----	2 1	

A---172 SERIAL 17248735 THRU 17249544
175 SERIAL 17557003 THRU 17557119

Rear Seat

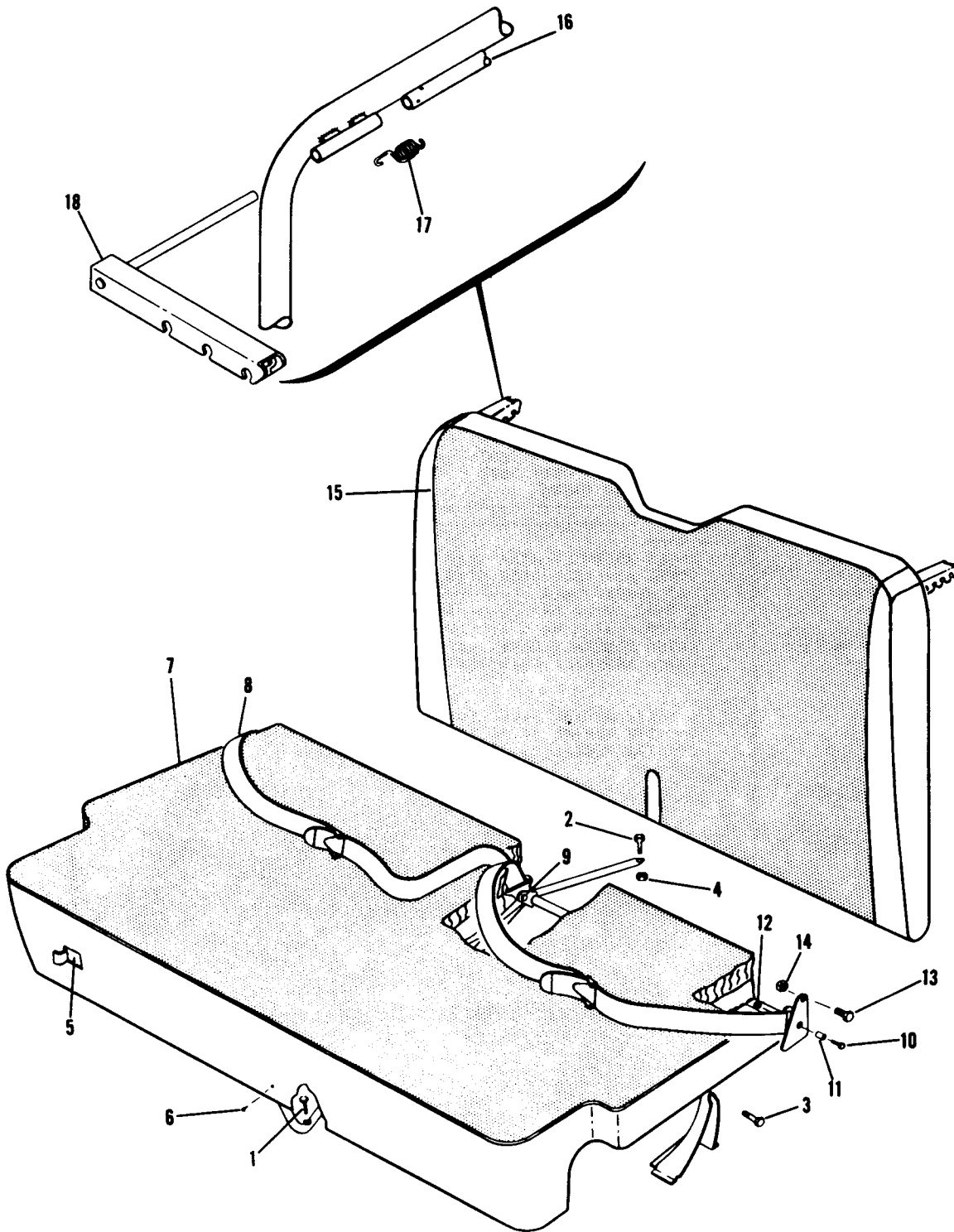


172 SERIAL 28000 THRU 36215

Figure 37. Rear Seat Installation

FIGURE AND INDEX NO.	PART NUMBER	DESCRIPTION	UNITS PER ASSY	USABLE ON CODE
37-	0500103-74 0500104-9	SEAT INSTALLATION-REAR ----- BOTTOM ASSEMBLY-REAR SEAT - 172 SERIAL 28000 BOTTOM ASSEMBLY-REAR SEAT - THRU 36215	NP 1 1	A B C
		ATTACHING PARTS		
- 1	AN3-11A	BOLT -----	1	
- 2	AN4-6A	BOLT -----	1	
- 3	AN3-10A	BOLT -----	2	
- 4	MS20365-428C	NUT -----	1	
- 5	0511174-1	RETAINER-REAR SEAT UPHOLSTERY ----- ATTACHING PARTS	1	
- 6	S-10212-6-4	SCREW CESSNA STANDARD -----	5	
- 7	0500103-73 0500104-20	COVER ASSEMBLY-REAR SEAT BOTTOM ----- COVER ASSEMBLY-REAR SEAT BOTTOM -----	1 1	B C
- 8	0311710-8	BELT ASSY-SAFETY-----WHEN EXHAUSTED USE S-1060-11 -----	2	B
- 8	S-1060-11	BELT ASSEMBLY-SAFETY CESSNA STANDARD-----	1	B
	0311710-10	BELT ASSY-SAFETY-----WHEN EXHAUSTED USE S-1060-1 -----	2	C
	S-1060-1	BELT ASSEMBLY-SAFETY CESSNA STANDARD-----	1	C
- 9	AN4-11A NAS43-4-47 MS20365-428C	ATTACHING PARTS BOLT----- SPACER ----- NUT -----	1 1 1	
- 10	AN4-6A	BOLT -----	2	
- 11	NAS43-4-20	SPACER -----	2	
- 12	MS20365-428C	NUT -----	2	
	0500103-70 0500104-10	BACK ASSEMBLY-REAR SEAT ----- BACK ASSEMBLY-REAR SEAT -----	1 1	B C
- 13	AN4-11A	ATTACHING PARTS BOLT -----	2	
- 14	MS20365-428C	NUT -----	2	
- 15	0500103-69 0500104-19	COVER ASSEMBLY-REAR SEAT BACK ----- COVER ASSEMBLY-REAR SEAT BACK -----	1 1	B C
- 16	0411623-1	LATCH-SEAT BACK -----	1	
- 17	0511049	SPRING-LATCH LH -----	1	
	0511049-1	SPRING-LATCH RH -----	1	
- 18	0511284-3	LATCH ASSEMBLY-REAR SEAT LH -----	1	
	0511284-4	LATCH ASSEMBLY-REAR SEAT RH -----	1	
		A---172 SERIAL 28000 THRU 36215 B---172 SERIAL 28000 THRU 29174 C---172 SERIAL 29175 THRU 36215		

Rear Seat (Cont)

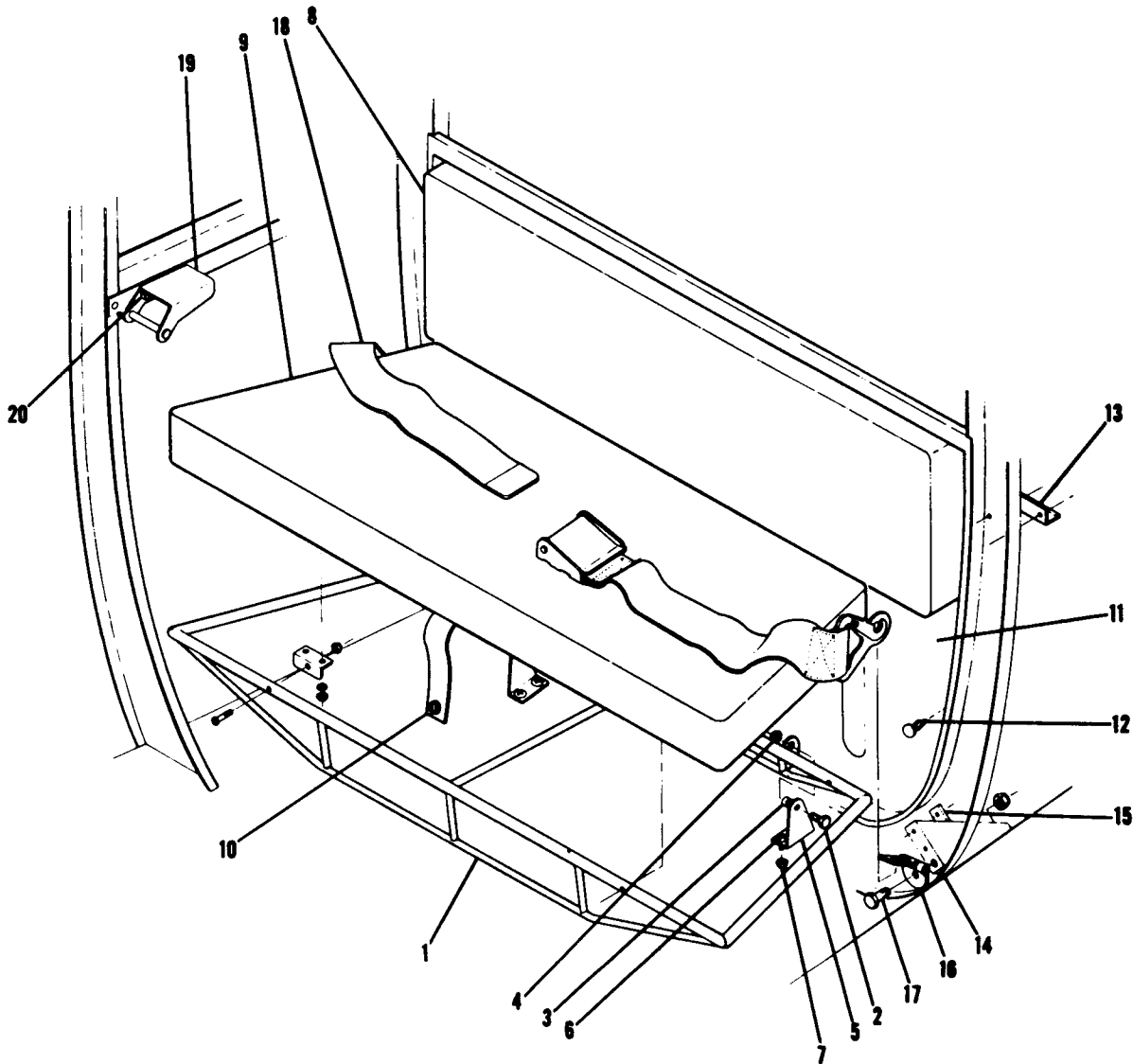


172 SERIAL 36216 THRU 17249544
175 SERIAL 55001 THRU 17557119

Figure 38. Rear Seat Installation

FIGURE AND INDEX NO.	PART NUMBER	DESCRIPTION	UNITS PER ASSY	USABLE ON CODE
38-		1 2 3 4 5 6 7		
	0500104-50	SEAT INSTALLATION-REAR SEAT	NP	A
	0500104-39	BOTTOM ASSEMBLY-REAR SEAT	1	D
		BOTTOM ASSEMBLY-REAR SEAT	1	E
		ATTACHING PARTS		
- 1	AN4-12A	BOLT	1	
- 2	AN4-7A	BOLT	1	
- 3	AN3-13A	BOLT	2	
- 4	NAS43-4-10	SPACER	1	
	222	BUMPER	1	
		-----*-----		
- 5	0511174-1	RETAINER-REAR SEAT UPHOLSTERY	1	
		ATTACHING PARTS		
- 6	S-1021Z-6-4	SCREW CESSNA STANDARD	5	
		-----*-----		
- 7	0500104-20	COVER ASSEMBLY-REAR SEAT BOTTOM	1	
- 8	0311710-10	BELT ASSEMBLY-SAFETY WHEN EXHAUSTED USE S-1060-1	2	
	S-1060-1	BELT ASSEMBLY-SAFETY CESSNA STANDARD	2	F
	S-1060-4	BELT ASSEMBLY-SAFETY CESSNA STANDARD	2	G
		ATTACHING PARTS		
- 9	AN4-11A	BOLT	1	
	NAS43-4-47	SPACER	1	
	MS20365-428C	NUT	1	
- 10	AN4-6A	BOLT	2	
- 11	NAS43-4-20	SPACER	2	
- 12	MS20365-428C	NUT	2	
		-----*-----		
	0500104-51	BACK ASSEMBLY-REAR SEAT	1	B
	0700105-65	BACK ASSEMBLY-REAR SEAT	1	C
		ATTACHING PARTS		
- 13	AN4-11A	BOLT	2	
- 14	MS20365-428C	NUT	2	
		-----*-----		
- 15	0500103-19	COVER ASSEMBLY-REAR SEAT BACK	1	B
	0700105-10	COVER ASSEMBLY-REAR SEAT BACK	1	C
- 16	0411623-1	LATCH-SEAT BACK	1	
- 17	0511049	SPRING-LATCH LH	1	
	0511049-1	SPRING-LATCH RH	1	
- 18	0511284-3	LATCH ASSEMBLY-REAR SEAT LH	1	
	0511284-4	LATCH ASSEMBLY-REAR SEAT RH	1	
		-----*-----		
		A---172 SERIAL 36216 THRU 17249544		
		175 SERIAL 55001 THRU 17557119		
		B---172 SERIAL 36216 THRU 17249544		
		C---175 SERIAL 55001 THRU 17557119		
		D---172 SERIAL 36216 THRU 47746		
		E---172 SERIAL 17247747 THRU 17249544		
		175 SERIAL 55001 THRU 17557119		
		F---172 SERIAL 36216 THRU 17248734		
		175 SERIAL 55001 THRU 17557002		
		G---172 SERIAL 17248735 THRU 17249544		
		175 SERIAL 17557003 THRU 17557119		

Seats (Cont)

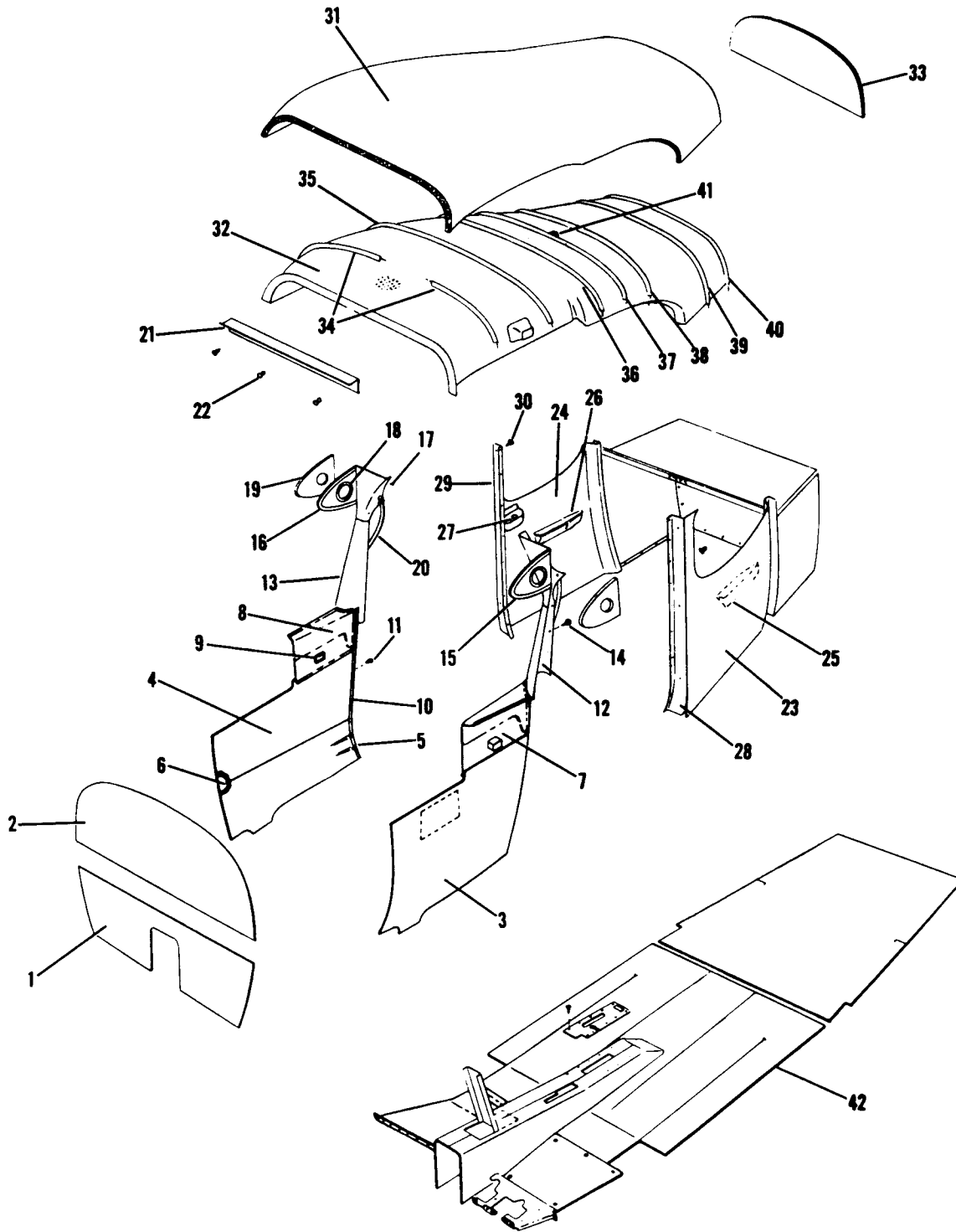


172 SERIAL 17248735 THRU 17249544
175 SERIAL 17557003 THRU 17557119

Figure 38A. Auxiliary Seat Installation

FIGURE AND INDEX NO.	PART NUMBER	DESCRIPTION	UNITS PER ASSY	USABLE ON CODE
38A-		1 2 3 4 5 6 7		
- 1	0711097-2	AUXILIARY SEAT INSTALLATION FRAME ASSEMBLY	NP 1	A
- 2	AN3-4A	ATTACHING PARTS	2	
- 3	NAS43-3-6	BOLT	2	
- 4	MS20365-428C	SPACER	2	
- 5	0711098-3 0711098-4	HINGE-FLOOR FITTING LH HINGE-FLOOR FITTING RH ATTACHING PARTS	1 1	
- 6	AN515-8R8	SCREW	2	
- 7	MS20365-832C	NUT	2	
- 8	0711080-1 AN227-7 AN227-6	BACKREST ASSEMBLY SOCKET BUTTON	1 5 5	
- 9	0711097-4 AN515-8R14 MS20365-832C	CUSHION ASSEMBLY ATTACHING PARTS SCREW NUT	1 4 4	
- 10	0711097-21	STRAP ASSEMBLY	1	
- 11	0711079-1	TRAY ASSEMBLY ATTACHING PARTS	1	
- 12	49265F-938	STUD UC	4	
- 13	0710011-1	ANGLE	1	
- 14	0512169-1 0512169-2	BRACKET LH BRACKET RH	1 1	
- 15	0712009-2	SPACER	2	
- 16	0711083-1	LATCH ASSEMBLY ATTACHING PARTS	2	
- 17	AN4-6A MS20365-428C	BOLT NUT	1 1	
- 18	S-1243-6	BELT ASSEMBLY-SAFETY CESSNA STANDARD	1	
- 19	0511286	CATCH ASSEMBLY-REAR SEAT ATTACHING PARTS	2	
- 20	AN3-3A	BOLT	2	
		A---172 SERIAL 17248735 THRU 17249544 175 SERIAL 17557003 THRU 17557119		
NOTE. FOR ACCESSORY KIT LISTINGS REFER TO PAGE 364				

Upholstery



172 SERIAL 28000 THRU 36215

Figure 39. Upholstery Installation

FIGURE AND INDEX NO.	PART NUMBER	DESCRIPTION	UNITS PER ASSY	USABLE ON CODE
		1 2 3 4 5 6 7		
39-		UPHOLSTERY INSTALLATION		
- 1	0500103-2	PANEL ASSEMBLY-FIREWALL LOWER	NP	C
- 2	0500103-1	PANEL ASSEMBLY-FIREWALL UPPER	1	
- 3	0500103-9	PANEL ASSEMBLY-SIDEWALL LH	1	
	0500104-1	PANEL ASSEMBLY-SIDEWALL LH	1	A
- 4	0500103-8	PANEL ASSEMBLY-SIDEWALL RH	1	B
	0500104-2	PANEL ASSEMBLY-SIDEWALL RH	1	A
		ATTACHING PARTS	1	B
	S-1023A-4-6	SCREW CESSNA STANDARD	5	
	S-1066C1	WASHER-FINISHING-AUV	5	
- 5	0700100-192	RETAINER	1	
		ATTACHING PARTS		
	S-1023A-4-6	SCREW CESSNA STANDARD	2	
- 6	0700100-193	RETAINER	1	
		ATTACHING PARTS		
	S-1023A-4-6	SCREW CESSNA STANDARD	4	
- 7	0500103-128	PANEL ASSEMBLY-SIDE TOP LH	1	
- 8	0500103-14	PANEL ASSEMBLY-SIDE TOP RH	1	
		ATTACHING PARTS		
	S-1023A-6-6	SCREW CESSNA STANDARD	1	
	0511310-1	PLACARD-OPERATIONAL LIMITATIONS LH ONLY	1	
- 9	0411030-6	ASH TRAY	1	
	0411030-5	RETAINER-ASH TRAY	1	
		ATTACHING PARTS		
	S-1021Z-4-8	SCREW CESSNA STANDARD	2	
	NAS446-1-3	NUT TIN A1776-4Z-3	2	
- 10	0511297	CHANNEL-UPHOLSTERY RETAINER	2	
		ATTACHING PARTS		
- 11	S-1023A-4-6	SCREW CESSNA STANDARD	5	
	S-1066C1	WASHER-FINISHING-AUV	5	
- 12	0511137-13	COVER-DOORPOST LH	1	
- 13	05111137-12	COVER-DOORPOST RH	1	
		ATTACHING PARTS		
- 14	S-1023A-4-6	SCREW CESSNA STANDARD	5	
	0713210-4	DECAL-MAP LIGHT LH ONLY	1	
- 15	0511311-1	SHIELD ASSEMBLY-DOORPOST UPPER LH	1	
- 16	0511311-2	SHIELD ASSEMBLY-DOORPOST UPPER RH	1	
		ATTACHING PARTS		
- 17	S-1021Z-4-8	SCREW CESSNA STANDARD	4	
- 18	0413235	GROMMET-SHIELD	1	
- 19	0511001-133	SOUNDPROOFING-SHIELD	2	
- 20	0511001-129	STRAP-ASSIST	2	A
	0511229-1	STRAP-ASSIST	2	B
		ATTACHING PARTS		
	T-5/8	SCREW AUV	4	
- 21	0511130	SHIELD-FRONT SPAR	1	
		ATTACHING PARTS		
- 22	49265-F-938	STUD UC	3	
- 23	0500103-17	PANEL ASSEMBLY-AFT LH	1	A
	0500104-5	PANEL ASSEMBLY-AFT LH	1	B
- 24	0500103-16	PANEL ASSEMBLY-AFT RH	1	A
	0500104-6	PANEL ASSEMBLY-AFT RH	1	B
		ATTACHING PARTS		
	S-1021Z-6-6	SCREW CESSNA STANDARD	8	

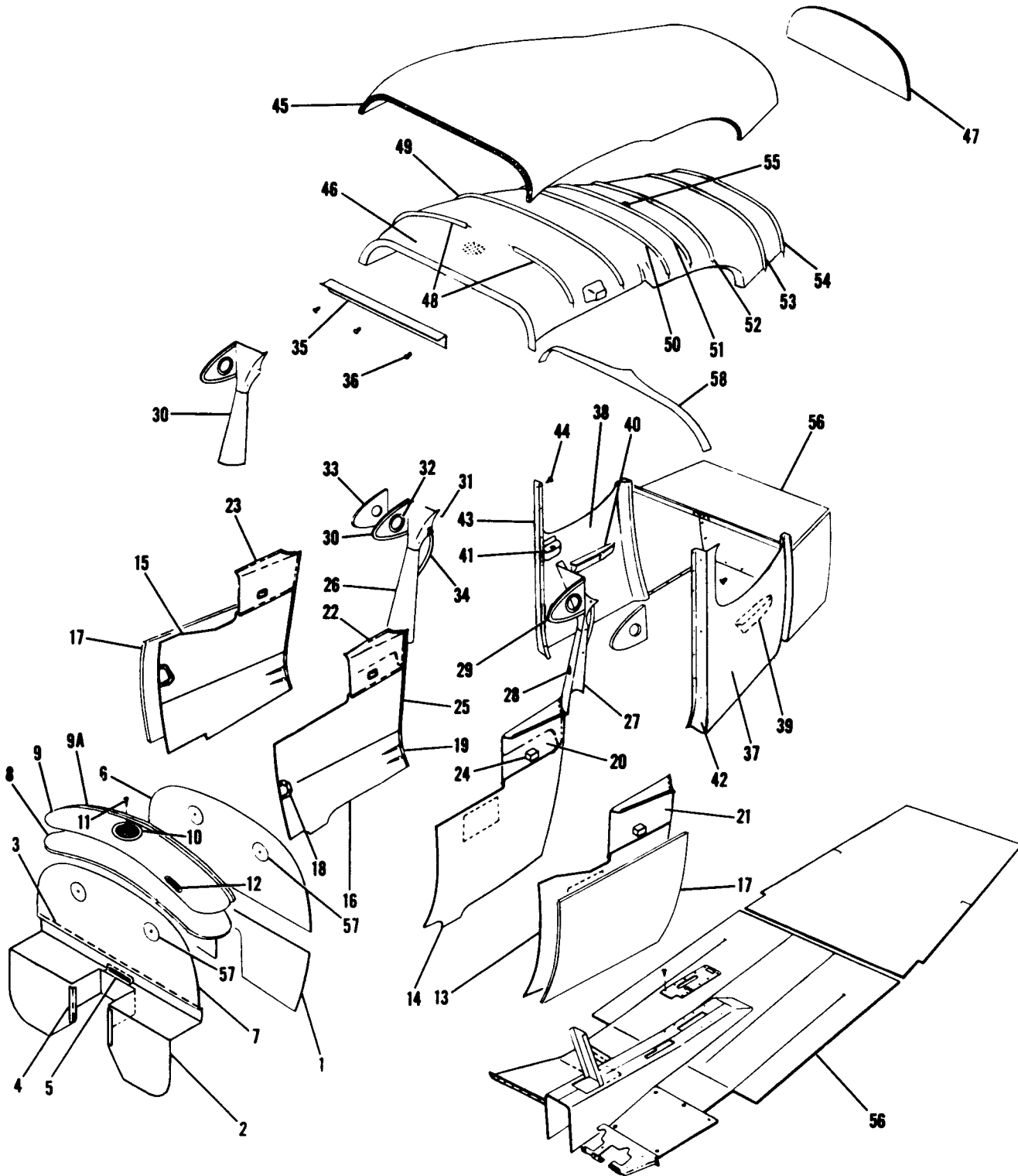
CONTINUED ON PAGE 122



FIGURE AND INDEX NO.	PART NUMBER	DESCRIPTION	UNITS PER ASSY	USABLE ON CODE		
					1	2
39- 25	0500103-108	ARM REST ASSEMBLY-LH -----	1	A		
	U500104-11	ARM REST ASSEMBLY-LH -----	1	B		
- 26	0500103-109	ARM REST ASSEMBLY-RH -----	1	A		
	0500104-12	ARM REST ASSEMBLY-RH -----	1	B		
	S-10212-8-8	ATTACHING PARTS				
	NAS395-12-3	SCREW CESSNA STANDARD -----	8			
		NUT TIN A1786-8Z-3 -----	6			
		-----*				
- 27	C-6861	ASH RECEIVER GDR -----	2			
		ATTACHING PARTS				
	S-10212-8-8	SCREW CESSNA STANDARD -----	2			
	NAS395-12-3	NUT TIN A1786-8Z-3 -----	2			
		-----*				
- 28	0511177-3	FAIRING-REAR DOORPOST LH -----	1			
- 29	0511177-2	FAIRING-REAR DOORPOST RH -----	1			
		ATTACHING PARTS				
- 30	S-10212-6-6	SCREW CESSNA STANDARD -----	10			
		-----*				
- 31	0511001-186	PANEL ASSEMBLY-CABIN TOP SOUNDPROOF-----	1			
- 32	0500103-107	HEADLINER ASSEMBLY -----	1			
- 33	0500101-35	PANEL ASSEMBLY-CABIN REAR UPPER SOUNDPROOF -----	1			
- 34	0511001-22	WIRE-HEADLINER -----	1			
- 35	0511001-20	WIRE-HEADLINER -----	1			
- 36	0700100-191	WIRE-HEADLINER -----	1			
- 37	0511001-147	WIRE-HEADLINER -----	1			
- 38	0511001-148	WIRE-HEADLINER -----	1			
- 39	0511001-149	WIRE-HEADLINER -----	1			
- 40	0700100-205	WIRE-HEADLINER -----	1			
- 41	0511186	HOOK-COAT HANGER -----	1			
	0500010-4	WASHER -----	1			
- 42		FLOORBOARD & BAGGAGE COMPT UPHOL INSTL SEE FIG 41 -----	1			
		A---172 SERIAL 28000 THRU 29174				
		B---172 SERIAL 29175 THRU 36215				
		C---172 SERIAL 28000 THRU 36215				

This page intentionally left blank.

Upholstery (Cont)



172 SERIAL 36216 THRU 17249544
175 SERIAL 55001 THRU 17557119

Figure 40. Upholstery Installation

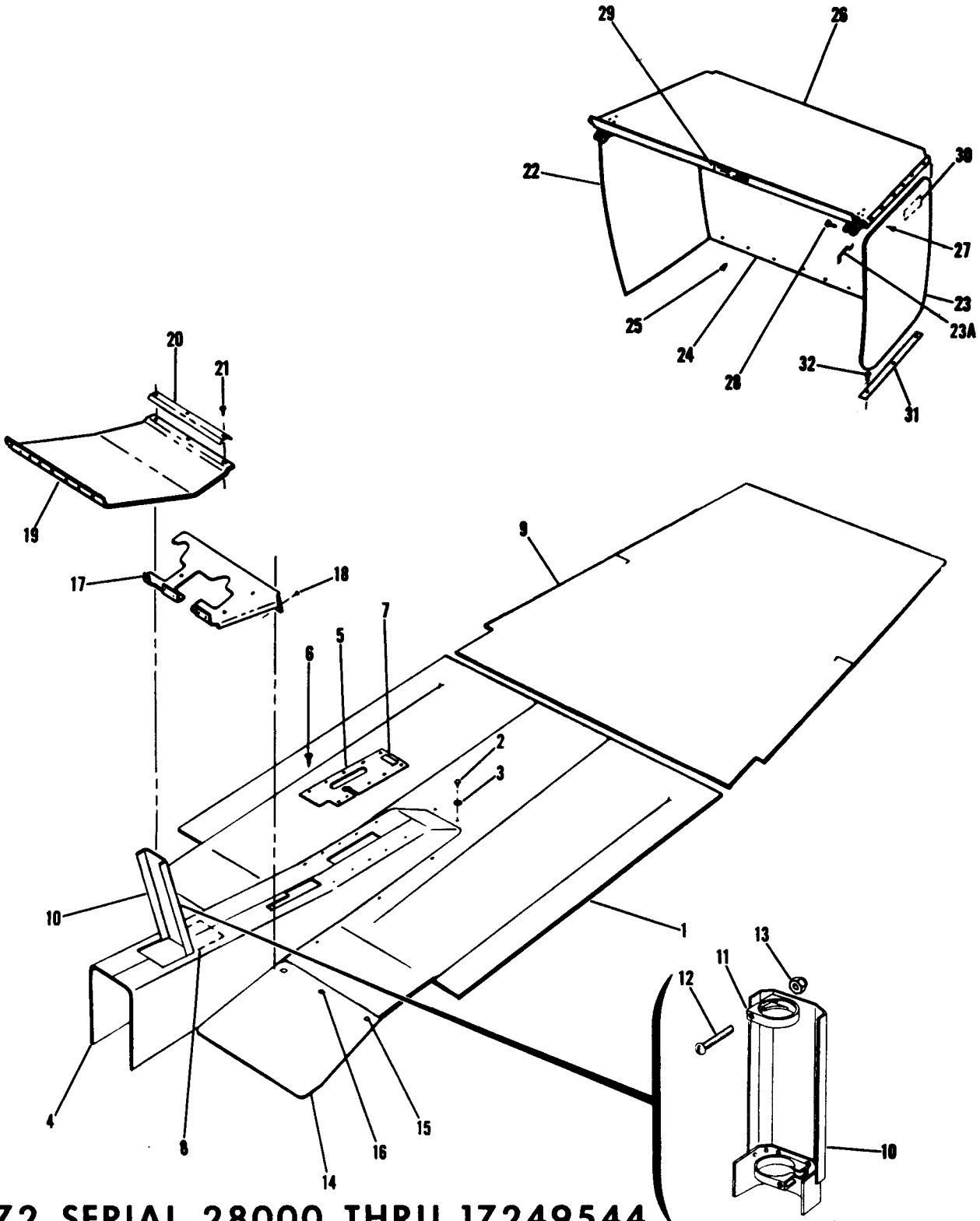
FIGURE AND INDEX NO.	PART NUMBER	DESCRIPTION	UNITS PER ASSY	USABLE ON CODE
		1 2 3 4 5 6 7		
40-		UPHOLSTERY INSTALLATION-----	NP	C
- 1	0500103-2	PANEL ASSEMBLY-FIREWALL LOWER-----	1	A
- 2	0500104-36	PANEL ASSEMBLY-FIREWALL LOWER-----	1	B
		ATTACHING PARTS-----		
- 3	0511033-6	ANGLE-----	1	B
- 4	0511033-7	ANGLE-----	2	B
- 5	0513109-21	RETAINER-----	1	B
	S-10212-6-8	SCREW CESSNA STANDARD-----	14	B
	NAS446-2-3	NUT-----	4	B
		-----*		
- 6	0500103-1	PANEL ASSEMBLY-FIREWALL UPPER-----	1	A
- 7	0500103-35	PANEL ASSEMBLY-FIREWALL UPPER-----	1	B
- 8	0511033-4	SOUNDPROOFING-COWL DECK-----	1	B
- 9	0511033-5	COVER-COWL DECK-----	1	B
- 9A	0513192-1	RETAINER-INSTRUMENT PANEL COVER-----	1	P
		ATTACHING PARTS-----		
	S-1022A4-6	SCREW CESSNA STANDARD-----	8	P
		-----*		
- 10	0513172-1	RETAINER-VENT-----	1	B
	0513172-2	SCREEN-VENT-----	1	B
		ATTACHING PARTS-----		
- 11	S-10212-8-8B	SCREW CESSNA STANDARD-----	4	B
	NAS395-16-3	NUT-----	4	B
		-----*		
- 12	0713046	RETAINER-UPHOLSTERY HEATING OPENING-----	1	B
		ATTACHING PARTS-----		
	S-10212-8-8	SCREW CESSNA STANDARD-----	4	B
		-----*		
- 13	0500104-29	PANEL ASSEMBLY-SIDEWALL LH-----	1	S
	0500104-101	PANEL ASSEMBLY-SIDEWALL LH-----	1	T
- 14	0500104-46	PANEL ASSEMBLY-SIDEWALL LH-----	1	A
- 15	0500104-30	PANEL ASSEMBLY-SIDEWALL RH-----	1	S
	0500104-102	PANEL ASSEMBLY-SIDEWALL RH-----	1	T
- 16	0500104-47	PANEL ASSEMBLY-SIDEWALL RH-----	1	A
		ATTACHING PARTS-----		
	S-1023A-4-6U	SCREW CESSNA STANDARD-----	5	
	S-1066C1	WASHER-FINISHING-----AUV-----	5	
		-----*		
- 17	0500103-7	SOUNDPROOFING-SIDEWALLS-----	2	B
- 18	0700100-192	RETAINER-UPHOLSTERY-----	1	A
	0513134-7	RETAINER-UPHOLSTERY LH-----	1	B
	0513134-8	RETAINER-UPHOLSTERY RH-----	1	B
		ATTACHING PARTS-----		
	S-1023A-4-6C	SCREW CESSNA STANDARD-----	4	
		-----*		
- 19	0700100-193	RETAINER-UPHOLSTERY-----	1	
		ATTACHING PARTS-----		
	S-1023A-4-6	SCREW CESSNA STANDARD-----	2	
		-----*		
	0411030-6	TRAY-ASH-----	1	T
	0411030-5	RETAINER-ASH TRAY-----	1	T
		ATTACHING PARTS-----		
	S-10212-4-8	SCREW CESSNA STANDARD-----	2	
	NAS446-1-3	NUT-----	2	
		-----*		
- 20	0500103-128	PANEL ASSEMBLY-SIDE TOP LH-----	1	J
	0500103-144	PANEL ASSEMBLY-SIDE TOP LH-----	1	K
- 21	0500104-44	PANEL ASSEMBLY-SIDE TOP LH-----	1	H
	0500104-67	PANEL ASSEMBLY-SIDE TOP LH-----	1	I
	0500104-80	PANEL ASSEMBLY-SIDE TOP LH-----	1	N
- 22	0500103-14	PANEL ASSEMBLY-SIDE TOP RH-----	1	J
	0500103-143	PANEL ASSEMBLY-SIDE TOP RH-----	1	K
- 23	0500104-45	PANEL ASSEMBLY-SIDE TOP RH-----	1	H
	0500104-68	PANEL ASSEMBLY-SIDE TOP RH-----	1	I
	0500104-81	PANEL ASSEMBLY-SIDE TOP RH-----	1	N
		ATTACHING PARTS-----		
	S-1023A-6-6	SCREW CESSNA STANDARD-----	3	A
	S-1023A-6-6	SCREW CESSNA STANDARD-----	6	B
		-----*		
	0511310-1	DECAL-OPERATIONAL LIMITATIONS LH ONLY-----	1	W
	0511310-2	PLACARD-OPERATIONAL LIMITATIONS LH ONLY-----	1	X
	0513059-1	DECAL-OPERATIONAL LIMITATIONS LH ONLY-----	1	B
- 24	0411030-6	ASH TRAY-----	1	

CONTINUED ON PAGES 126 & 127

FIGURE AND INDEX NO.	PART NUMBER	DESCRIPTION	UNITS PER ASSY							USABLE ON CODE	
			1	2	3	4	5	6	7		
40-	0411030-5	RETAINER-ASH TRAY ----- ATTACHING PARTS -----								1	
	S-10212-4-8	SCREW CESSNA STANDARD -----								2	
	NAS446-1-3	NUT -----								2	
- 25	U511297	CHANNEL-UPHOLSTERY RETAINER ----- ATTACHING PARTS -----								2	
	S-1023A-4-6C	SCREW CESSNA STANDARD -----								5	
	S-1066C1	WASHER-FINISHING-----AUV -----								5	
- 26	U511137-12	COVER-DOORPOST RH -----								1	U
- 27	U511137-13	COVER-DOORPOST LH -----								1	F
	U511137-20	COVER-DOORPOST LH -----								1	G
	U511137-13	COVER-DOORPOST LH USED WITH MAP LIGHT ----- ATTACHING PARTS -----								1	G
	S-1023A-4-6	SCREW CESSNA STANDARD -----								5	
- 28	U713210-4	DECAL-MAP LIGHT LH ONLY -----								1	F
	U713210-4	DECAL-MAP LIGHT LH ONLY -----								1	G
- 29	0511311-7	SHIELD ASSEMBLY-DOORPOST UPPER LH -----								1	U
	0711133-9	SHIELD ASSEMBLY-DOORPOST UPPER LH -----								1	V
	0511311-3	SHIELD-DOORPOST UPPER LH USED WITH MAP LIGHT -----								1	U
- 30	0511311-2	SHIELD ASSEMBLY-DOORPOST UPPER RH -----								1	U
	0711133-10	SHIELD ASSEMBLY DOORPOST UPPER RH ----- ATTACHING PARTS -----								1	V
- 31	S-10212-4-8	SCREW CESSNA STANDARD -----								4	
- 32	0413235	GROMMET-SHIELD-----								1	U
	0413235	GROMMET-SHIELD-----								1	V
- 33	0511001-133	SOUND PROOFING-SHIELD-----								2	
- 34	0511229-1	STRAP-ASSIST BLACK -----								2	
	0511229-2	STRAP-ASSIST NATURAL ----- ATTACHING PARTS -----								1	
	T-5/8	SCREW AUV -----								2	
- 35	U511130	SHIELD-FRONT SPAR ----- ATTACHING PARTS -----								1	
- 36	49265-F-930	STUD UC-----								3	
- 37	0500104-48	PANEL ASSEMBLY-AFT LH-----								1	A
	0500104-37	PANEL ASSEMBLY-AFT LH-----								1	B
- 38	0500104-49	PANEL ASSEMBLY-AFT RH-----								1	A
	0500104-38	PANEL ASSEMBLY-AFT RH----- ATTACHING PARTS -----								1	B
	S-10212-6-6	SCREW CESSNA STANDARD -----								8	
- 39	0500104-52	ARM REST ASSEMBLY-LH -----								1	A
	0500104-40	ARM REST ASSEMBLY-LH -----								1	B
- 40	0500104-53	ARM REST ASSEMBLY-RH -----								1	A
	0500104-41	ARM REST ASSEMBLY-RH ----- ATTACHING PARTS -----								1	B
	S-10212-8-8	SCREW CESSNA STANDARD -----								3	
	NAS395-12-3	NUT -----								3	
- 41	C-6861	ASH RECEIVER GDR ----- ATTACHING PARTS -----								2	
	S-10212-8-8	SCREW CESSNA STANDARD -----								2	
	NAS395-12-3	NUT -----								2	
- 42	0511177-3	FAIRING-REAR DOORPOST LH -----								1	
- 43	0511177-2	FAIRING-REAR DOORPOST RH ----- ATTACHING PARTS -----								1	
- 44	S-10212-6-6	SCREW CESSNA STANDARD -----								10	
- 45	0511001-186	PANEL ASSEMBLY-CABIN TOP SOUNDPROOF-----								1	
- 46	0500103-107	HEADLINER ASSEMBLY -----								1	D
	0500103-137	HEADLINER ASSEMBLY -----								1	E
	0500103-148	HEADLINER ASSEMBLY -----								1	P
- 47	0500101-35	PANEL ASSEMBLY-CABIN REAR UPPER SOUNDPROOF -----								1	

FIGURE AND INDEX NO.	PART NUMBER	DESCRIPTION							UNITS PER ASSY	USABLE ON CODE
		1	2	3	4	5	6	7		
40- 48	0511001-22	WIRE-HEADLINER -----							2	M
	1200086-5	WIRE-HEADLINER -----							2	L
- 49	1200086-6	WIRE-HEADLINER -----							1	
- 50	0700100-191	WIRE-HEADLINER -----							1	
- 51	0511001-147	WIRE-HEADLINER -----							1	
- 52	0511001-148	WIRE-HEADLINER -----							1	
- 53	0511001-149	WIRE-HEADLINER -----							1	
- 54	0700100-205	WIRE-HEADLINER -----							1	
	0511033-13	WIRE-HEADLINER -----							1	R
	0511186	HOOK-COAT HANGER -----							1	P
- 55	0500010-4	WASHER -----							1	
- 56		FLOORBOARD & BAGGAGE COMPT UPHOL INST SEE FIG 41 -----							1	
- 57	0400123-1	DISC -----							2	O
		ATTACHING PARTS								
	S-1021Z-10-10	SCREW CESSNA STANDARD -----							1	O
	NAS446-4-3	NUT -----							1	O
		---*---								
- 58	0700109-8	TIARA ASSEMBLY -----							1	Q
		ATTACHING PARTS								
	S-1021Z-4-8C	SCREW CESSNA STANDARD -----							4	Q
		---*---								
		A---172 SERIAL 36216 THRU 47746								
		B---175 SERIAL 55001 THRU 17557119								
		172 SKYHAWK SERIAL 17247747 THRU 17249544								
		C---172 SERIAL 36216 THRU 17249544								
		175 SERIAL 55001 THRU 17557119								
		D---172 SERIAL 36216 THRU 36965								
		175 SERIAL 55001 THRU 55703								
		E---172 SERIAL 36966 THRU 47746								
		175 SERIAL 55704 THRU 56777								
		F---172 SERIAL 36216 THRU 46259								
		175 SERIAL 55001 THRU 55703								
		G---172 SERIAL 46260 THRU 17248734								
		175 SERIAL 55704 THRU 17557002								
		H---175 SERIAL 55001 THRU 56238								
		I---172 SERIAL 17247747 THRU 17248734								
		175 SERIAL 56239 THRU 17557002								
		J---172 SERIAL 36216 THRU 46754								
		K---172 SERIAL 46755 THRU 47746								
		L---172 SERIAL 46755 THRU 17249544								
		175 SERIAL 56239 THRU 17557119								
		M---172 SERIAL 36216 THRU 46754								
		175 SERIAL 55001 THRU 56238								
		N---175 SERIAL 56239 THRU 56739								
		O---172 SERIAL 47205 THRU 17249544								
		175 SERIAL 56469 THRU 17557119								
		P---172 SERIAL 17247747 THRU 17249544								
		175 SERIAL 17556778 THRU 17557119								
		Q---172 SKYHAWK SERIAL 17247747 THRU 17249544								
		175 SKYLARK SERIAL 17556778 THRU 17557119								
		R---172 SERIAL 36216 THRU 47746								
		175 SERIAL 55001 THRU 56777								
		S---172 SKYHAWK 17247747 THRU 17248734								
		175 SERIAL 55001 THRU 17557002								
		T---172 SKYHAWK SERIAL 17248735 THRU 17249544								
		175 SERIAL 17557003 THRU 17557119								
		U---172 SERIAL 36216 THRU 17248734								
		175 SERIAL 55001 THRU 17557002								
		V---172 SERIAL 17248735 THRU 17249544								
		175 SERIAL 17557003 THRU 17557119								
		W---172 SERIAL 36216 THRU 17248734								
		X---172 SERIAL 17248735 THRU 17249544								

Upholstery (Cont)



172 SERIAL 28000 THRU 17249544
175 SERIAL 55001 THRU 17557119

Figure 41. Floorboard and Baggage Compartment Upholstery Installation

FIGURE AND INDEX NO.	PART NUMBER	DESCRIPTION	UNITS PER ASSY							USABLE ON CODE	
			1	2	3	4	5	6	7		
41-		UPHOLSTERY INSTALLATION-FLOORBOARD & BAGGAGE -----								NP	
- 1	0500103-60	CARPET-CABIN FLOOR -----								1	
		ATTACHING PARTS -----									
- 2	S-1023A-4-6	SCREW CESSNA STANDARD -----								13	
- 3	S-1066C1	WASHER-FINISHING-----AUV -----								13	
		-----*-----									
- 4	0500103-101	CARPET ASSEMBLY-TUNNEL -----								1	
- 5	0510185	COVER PLATE ASSEMBLY-TUNNEL -----								1	
		ATTACHING PARTS -----									
- 6	S-10212-8-8	SCREW CESSNA STANDARD -----								9	
		-----*-----									
- 7	0511168	PLACARD-BOTH TANKS ON -----								1	
	0510185-2	COVER PLATE-AFT LOWER TUNNEL -----								1	
	0510185-3	COVER-CARPET -----								1	
- 8	0510141	COVER PLATE-TUNNEL -----								1	
		ATTACHING PARTS -----									
	S-10212-8-6	SCREW CESSNA STANDARD -----								4	
		-----*-----									
- 9	0500112-1	CARPET-BAGGAGE COMPARTMENT FLOOR -----								1	
- 10	0411293	SHIELD-CONTROL TEE -----								1	
- 11	0411840	CLAMP-SHIELD ATTACHMENT -----								2	
		ATTACHING PARTS -----									
- 12	AN515-6R36	SCREW -----								1	
- 13	MS20365-632C	NUT -----								1	
		-----*-----									
- 14	0500100-173	KICK PLATE-FLOORBOARD LH -----								1	E
	0700101-143	KICKPLATE-FLOORBOARD LH -----								1	F
	0511475-1	KICK PLATE-FLOORBOARD LH -----								1	H
	0500100-174	KICKPLATE-FLOORBOARD RH -----								1	E
	0700101-144	KICKPLATE-FLOORBOARD RH -----								1	F
	0511475-2	KICK PLATE-FLOORBOARD RH -----								1	H
		ATTACHING PARTS -----									
- 15	S-10212-8-8	SCREW CESSNA STANDARD -----								4	E
- 16	S-1021A-4-6	SCREW CESSNA STANDARD -----								1	E
	S-10212-6-8	SCREW CESSNA STANDARD -----								4	H
		-----*-----									
- 17	0513014-1	SHIELD-RUDDER BAR LH -----								1	A
	0513057-1	SHIELD-RUDDER BAR LH -----								1	B
	0513057-2	SHIELD-RUDDER BAR LH FLOATPLANE ONLY -----								1	B
		ATTACHING PARTS -----									
- 18	S-10212-6-8	SCREW CESSNA STANDARD -----								8	
	NAS446-4-3	NUT TIN A1778-8Z-3 -----								3	
		-----*-----									
- 19	0713049-3	SHIELD-RUDDER BAR RH -----								1	A
	0713049-8	SHIELD-RUDDER BAR RH -----								1	B
		ATTACHING PARTS -----									
	S-10212-6-8	SCREW CESSNA STANDARD -----								6	
		-----*-----									
	0513015	SHIELD-RUDDER BAR RH DUAL CONTROLS -----								1	A
	0513058-1	SHIELD-RUDDER BAR RH DUAL CONTROLS -----								1	B
	0513058-2	SHIELD-RUDDER BAR RH FLOAT PLANE ONLY -----								1	B
		ATTACHING PARTS -----									
	S-10212-8-8	SCREW CESSNA STANDARD -----								9	
	NAS446-4-3	NUT TIN A1778-8Z-3 -----								3	
		-----*-----									
- 20	0713049-7	RETAINER-RUDDER BAR -----								1	
		ATTACHING PARTS -----									
- 21	S-10212-8-14	SCREW CESSNA STANDARD -----								3	
		-----*-----									
- 22	0500103-37	PANEL ASSEMBLY-BAGGAGE COMPARTMENT RH -----								1	
- 23	0500103-38	PANEL ASSEMBLY-BAGGAGE COMPARTMENT LH -----								1	C
	0700101-38	PANEL ASSEMBLY-BAGGAGE DOOR -----								1	G
	0700114-35-273	PANEL ASSEMBLY-BAGGAGE DOOR -----								1	H
	0700114-36	SOUNDPROOFING-BAGGAGE DOOR -----								1	
	99608-K2215	STUD MKL -----								8	H
-23A	S-1273-1	HANDLE-----CESSNA STANDARD -----								1	H
		ATTACHING PARTS -----									
	AN515-8R8	SCREW -----								2	H
		-----*-----									
- 24	0700101-2	PANEL ASSEMBLY-BAGGAGE COMPARTMENT REAR -----								1	
		ATTACHING PARTS -----									
- 25	49265-F-938	FASTENER-REAR BAGGAGE PANEL UC -----								16	
		-----*-----									

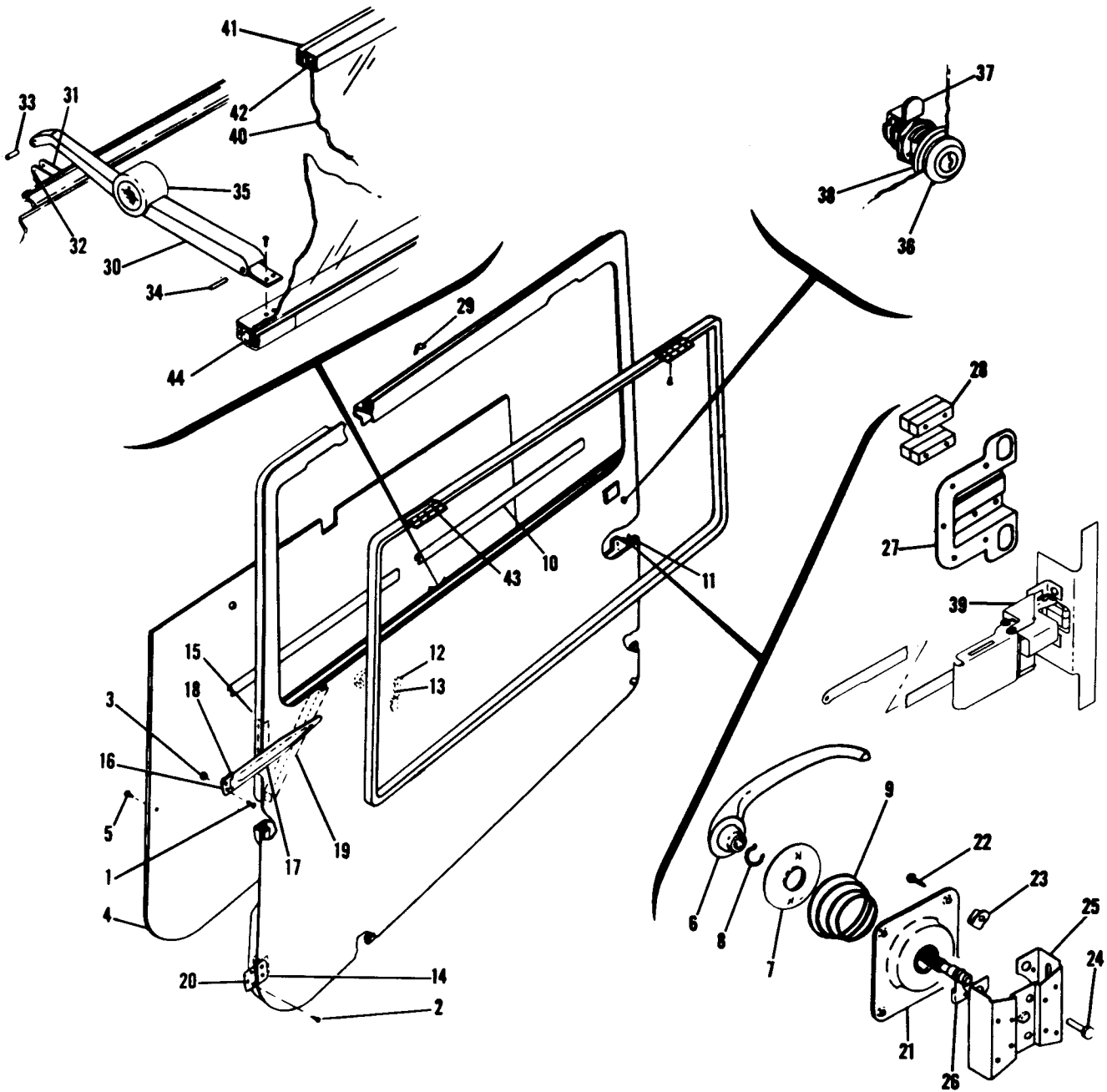
CONTINUED ON PAGE 130



FIGURE AND INDEX NO.	PART NUMBER	DESCRIPTION	UNITS PER ASSY	USABLE ON CODE
41- 26	0513013-9 0513013-11	SHELF ASSEMBLY-BAGGAGE COMPARTMENT ----- SHELF ASSEMBLY-BAGGAGE COMPARTMENT ----- ATTACHING PARTS	1 1	C D
- 27	S-1021Z-4-4	SCREW CESSNA STANDARD -----	10	
- 28	AN3-3A	BOLT ----- -----*	4	
- 29	0512120-1	DECAL-BAGGAGE -----	1	C
- 30	0710032-3 0512166-3	PLACARD-BAGGAGE ----- PLACARD-BAGGAGE AND/OR AUXILIARY SEAT PASSENGER ----- ATTACHING PARTS	1 1	G H
	S-1021Z-4-6	SCREW CESSNA STANDARD ----- -----*	2	D
- 31	0311623-1	SCUFF PLATE----- ATTACHING PARTS	1	D
- 32	S-1021Z-4-4	SCREW CESSNA STANDARD -----	3	D
		A---172 SERIAL 28000 THRU 47746 B---175 SERIAL 55001 THRU 17557119 172 SERIAL 17247747 THRU 17249544 C---172 SERIAL 28000 THRU 47746 175 SERIAL 55001 THRU 56238 D---175 SERIAL 56239 THRU 17557119 172 SERIAL 17247747 THRU 17249544 E---172 SERIAL 28000 THRU 17248382 175 SERIAL 55001 THRU 17556983 F---172 SERIAL 17248383 THRU 17248734 175 SERIAL 17556983 THRU 17557002 G---172 SERIAL 17247747 THRU 17248735 175 SERIAL 56239 THRU 17557002 H---172 SERIAL 17248735 THRU 17249544 175 SERIAL 17557003 THRU 17557119		

FIGURE AND INDEX NO.	PART NUMBER	DESCRIPTION	UNITS PER ASSY	USABLE ON CODE
42-		1 2 3 4 5 6 7		
		CABIN DOOR ASSEMBLY-LH ATTACHING PARTS	NP	K
- 1	AN507-1032R8	SCREW	3	
- 2	AN515-3R9	SCREW	2	
- 3	MS20365-1032C	NUT	5	
		172 SERIAL		
		28000 THRU 46754		
- 4	0500103-51	PANEL ASSEMBLY-UPHOLSTERY	1	A
	0500104-3	PANEL ASSEMBLY-UPHOLSTERY	1	B
	0500104-58	PANEL ASSEMBLY-UPHOLSTERY	1	C
	0500104-56	PANEL ASSEMBLY-UPHOLSTERY	1	D
- 5	807	FASTENER-UPHOLSTERY PANEL	13	
- 6	0511189	HANDLE-INSIDE DOOR	1	E
	0511303-1	HANDLE-INSIDE DOOR	1	F
	0711027-1	HANDLE-INSIDE DOOR	1	G
- 7	0511189-2	ESCUTCHEON-DOOR HANDLE	1	
- 8	0511189-1	CLIP-DOOR HANDLE	1	
- 9	0413317-1	SPRING-DOOR HANDLE	1	
		175 SERIAL		
		55001 THRU 56238		
		AUV		
		CONTINUED ON PAGES 132 & 133		

Door And Window



172 SERIAL 28000 THRU 46754
175 SERIAL 55001 THRU 56238

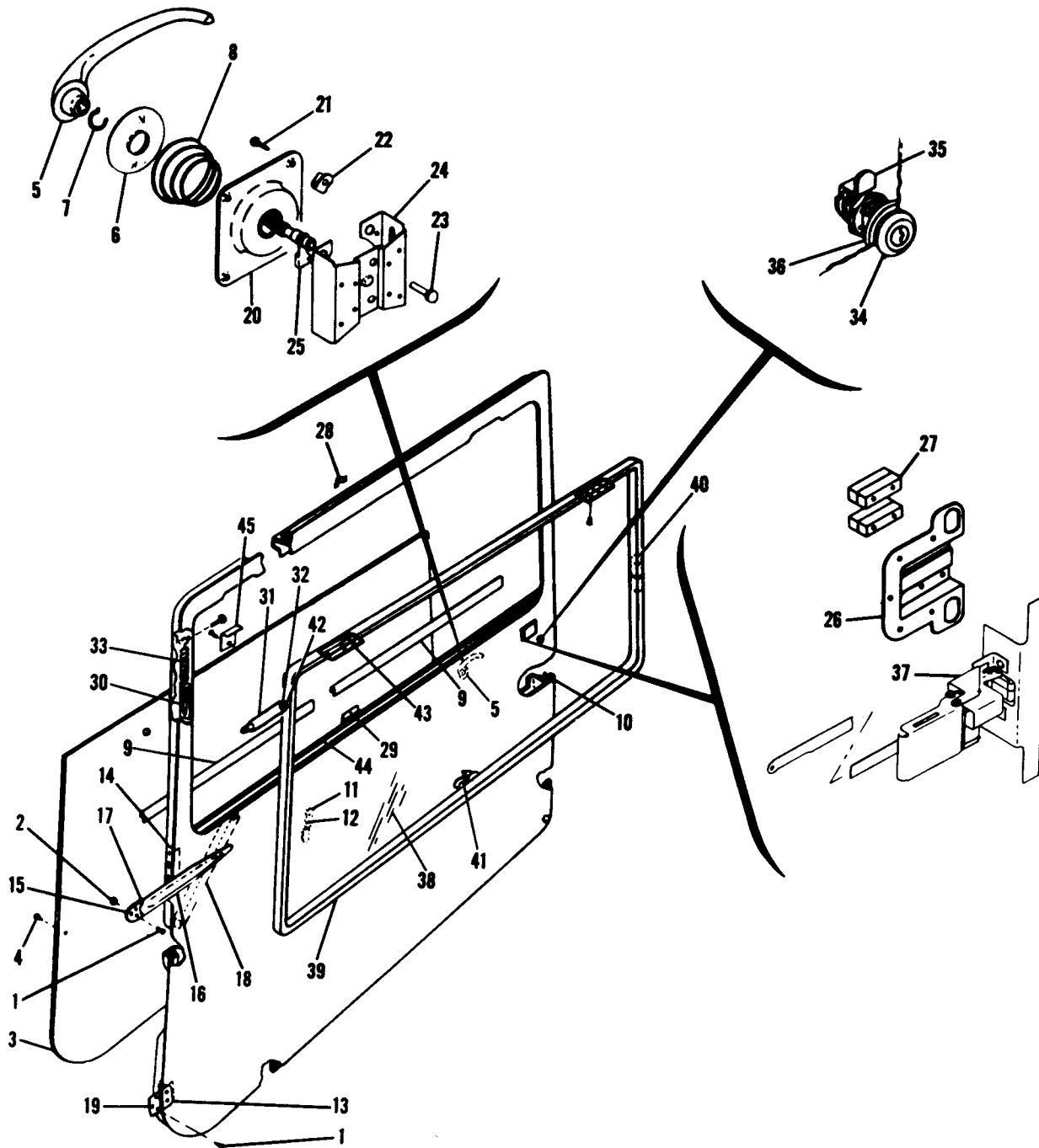
Figure 42. Left Cabin Door Installation

FIGURE AND INDEX NO.	PART NUMBER	DESCRIPTION	UNITS PER ASSY	USABLE ON CODE
42-	0511106-175	STRUCTURE ASSY-CABIN DOOR LH WHEN EXHAUSTED ----- USE 0511460-1	1	K
- 10	0511460-1 *	STRUCTURE ASSY-CABIN LH -----	1	
	0511106-38	CHANNEL-UPHOLSTERY RETAINER -----	2	L
	0711023-14	CHANNEL-UPHOLSTERY RETAINER -----	2	M
- 11	S-1079-1-144	WEATHERSTRIP CESSNA STANDARD -----	1	
- 12	0511463-1	CLIP-UPHOLSTERY RETAINER-----	2	
		ATTACHING PARTS		
- 13	S-10212-4-4	SCREW CESSNA STANDARD -----	2	
- 14	0511461-1	REINFORCEMENT-DOOR HINGE-----	1	
- 15	0511464-1	ANGLE-DOOR REINFORCEMENT-----	1	
	0511280-1	HINGE ASSEMBLY-DOOR UPPER -----	1	
- 16	0511237-1	HINGE HALF ASSEMBLY -----	1	
- 17	0511238-1	HINGE HALF ASSEMBLY -----	1	
- 18	0711001-59	PIN-HINGE UPPER -----	1	
- 19	0511469-1	BRACKET-HINGE UPPER-----	1	
- 20	0511280-3	HINGE-DOOR LOWER -----	1	
- 21	0413195-3	PLATE ASSEMBLY-DOOR HANDLE BEARING ----- ATTACHING PARTS	1	
- 22	S-10222-8-8	SCREW CESSNA STANDARD -----	4	
- 23	NAS395-10-3	NUT -----	4	
		*-----		
- 24	MS20392-3-27	PIN-CLEVIS -----	1	
- 25	0511465-1	BRACKET ASSEMBLY-DOOR HANDLE INNER -----	1	
- 26	0511227-7	SHAFT-DOOR HANDLE -----	1	
- 27	0411576	PAN-DOOR LATCH-----	1	
- 28	0411886	SPACER-DOOR LATCH PAN -----	4	
- 29	A1663-028-1	LATCH-DOOR STOP -----	1	
- 30	0413362-3	LATCH ASSEMBLY-WINDOW -----	1	
	0413362-5	LATCH ASSEMBLY-WINDOW -----	1	J
- 31	0413366	BRACKET-WINDOW LATCH -----	1	
- 32	0413366-1	BRACKET-WINDOW LATCH -----	1	
- 33	0413148	RIVET-WINDOW LATCH -----	1	
- 34	0452120	PIN-WINDOW LATCH -----	1	
- 35	0413359-1	GRIP-WINDOW LATCH-----	1	
	0413359-2	GRIP-WINDOW LATCH-----	1	J
- 36	0413323-4	LOCK ASSEMBLY-DOOR -----	1	
- 37	0413322	CAM -----	1	
- 38	0411851	WASHER -----	1	
- 39	0511112-16	LATCH ASSEMBLY-DOOR-----SEE FIGURE 44 -----	1	
	0711050-11	WINDOW ASSEMBLY-DOOR LH -----	1	
- 40	0711051-1	GLASS ASSEMBLY-WINDOW -----	1	
- 41	0711051-5	SEAL-WINDOW GLASS -----	1	
- 42	0711050-13	FRAME-WINDOW LH -----	1	
	0711050-7	TUBE-SPLICE -----	1	
- 43	0411185-7	HINGE-WINDOW -----	2	
- 44	S-1005-084	SEAL-WINDOW CESSNA STANDARD -----	1	

NOTE. *WHEN ORDERING THIS PART FOR AIRPLANES
 PRIOR TO 172 SERIAL 17248135 OR 175 SERIAL
 17556890 ALSO ORDER 1 0711023-14 UPHOLSTERY
 RETAINER & 1 0711023-15 UPHOLSTERY RETAINER

A---172 SERIAL 28000 THRU 29174
 B---172 SERIAL 29175 THRU 36215
 C---172 SERIAL 36216 THRU 46754
 D---175 SERIAL 55001 THRU 56238
 E---172 SERIAL 28000 THRU 36561
 175 SERIAL 55001 THRU 55007
 F---172 SERIAL 36562 THRU 36965
 175 SERIAL 55008 THRU 55703
 G---172 SERIAL 36966 THRU 46754
 175 SERIAL 55704 THRU 56238
 H---172 SERIAL 28000 THRU 46194
 175 SERIAL 55001 THRU 55703
 J---172 SERIAL 46195 THRU 46754
 175 SERIAL 55704 THRU 56238
 K---172 SERIAL 28000 THRU 46754
 175 SERIAL 55001 THRU 56236
 L---172 SERIAL 28000 THRU 36215
 M---172 SERIAL 36216 THRU 46754
 175 SERIAL 55001 THRU 56238

Door And Window (Cont)



172 SERIAL 46755 THRU 17249544
175 SERIAL 56239 THRU 17557119

Figure 42A. Left Cabin Door Installation

FIGURE AND INDEX NO.	PART NUMBER	DESCRIPTION	UNITS PER ASSY	USABLE ON CODE
42A-		1 2 3 4 5 6 7		
		CABIN DOOR ASSEMBLY-LH -----		
		ATTACHING PARTS -----		
		172 SERIAL 46755		
- 1	AN520-10R9	SCREW -----	5	
- 2	MS20365-1032C	NUT -----	5	
		THRU 17249544		
- 3	0500104-58	PANEL ASSEMBLY-UPHOLSTERY -----	1	
	0500104-82	PANEL ASSEMBLY-UPHOLSTERY -----	1	B
	0500104-99	PANEL ASSEMBLY-UPHOLSTERY -----	1	C
	0500104-100	PANEL ASSEMBLY-UPHOLSTERY -----	1	D
- 4	807	FASTENER-UPHOLSTERY-----AUV	13	E
- 5	0711027-1	HANDLE-INSIDE DOOR -----	1	
- 6	0511189-2	ESCUTCHEON-DOOR HANDLE -----	1	
- 7	0511189-1	CLIP-DOOR HANDLE -----	1	
- 8	0413317	SPRING-DOOR HANDLE -----	1	
	0511460-1	STRUCTURE ASSEMBLY-CABIN DOOR LH -----	1	
- 9	0711023-14	CHANNEL-UPHOLSTERY RETAINER -----	1	F
	0711023-15	CHANNEL-UPHOLSTERY RETAINER -----	1	F
- 10	S-363-144	WEATHERSTRIP CESSNA STANDARD -----	1	
- 11	0511463-1	CLIP-UPHOLSTERY RETAINER -----	2	
		ATTACHING PARTS -----		
- 12	S-1021Z-4-4	SCREW CESSNA STANDARD -----	2	
		-----*		
- 13	0511461-1	REINFORCEMENT-DOOR HINGE-----	1	
- 14	0511464-1	ANGLE-DOOR REINFORCEMENT -----	1	
	0511280-1	HINGE ASSEMBLY-DOOR UPPER -----	1	
- 15	0511237-1	HINGE HALF ASSEMBLY -----	1	
- 16	0511238-1	HINGE HALF ASSEMBLY -----	1	
- 17	0711001-59	PIN-HINGE UPPER -----	1	
- 18	0511469-1	BRACKET-HINGE UPPER -----	1	
- 19	0511280-3	HINGE-DOOR LOWER -----	1	
- 20	0413195-3	PLATE ASSEMBLY-DOOR HANDLE BEARING -----	1	
		ATTACHING PARTS -----		
- 21	S-1022Z-8-8	SCREW CESSNA STANDARD -----	4	
- 22	NAS395-16-3	NUT -----	4	
		-----*		
- 23	AN520-10R12	SCREW -----	1	
- 24	0511106-137	BRACKET ASSEMBLY-DOOR HANDLE INNER -----	1	
- 25	0511227-7	SHAFT-DOOR HANDLE -----	1	
- 26	0411576	PAN-DOOR LATCH -----	1	
- 27	0411886	SPACER-DOOR LATCH PAN -----	4	
- 28	A1663-028-1	LATCH-DOOR STOP -----	1	
- 29	0711023-13	PLATE-REINFORCING -----	1	
- 30	0711021-1	PLATE -----	1	
- 31	0711021-4	ARM ASSEMBLY -----	1	
		ATTACHING PARTS -----		
- 32	AN525-10R8	SCREW -----	1	
		-----*		
- 33	0711021-5	SPRING -----	1	G
	0711021-9	SPRING -----	1	H
		ATTACHING PARTS -----		
	MS20392-1-19	PIN -----	1	G
	MS24665-132	PIN-COTTER -----	1	G
		-----*		
- 34	0413323-4	LOCK ASSEMBLY-DOOR -----	1	
- 35	0413322	CAM -----	1	
- 36	0411851	WASHER -----	1	
- 37	0511112-16	LATCH ASSEMBLY-DOOR-----SEE FIGURE 44 -----	1	
		ATTACHING PARTS -----		
-37A	AN520-10R6	SCREW -----	8	
		-----*		
- 38	0711050-1	WINDOW ASSEMBLY-DOOR LH -----	1	
	0711051-1	GLASS ASSEMBLY-WINDOW -----	1	
	0711051-5	SEAL ONE PIECE TYPE -----	1	
- 39	0711050-5	FRAME-WINDOW LH -----	1	
- 40	0711050-7	SPLICE TUBE -----	1	
		ATTACHING PARTS -----		
	CR163-4-4	RIVET CR -----	8	
		-----*		

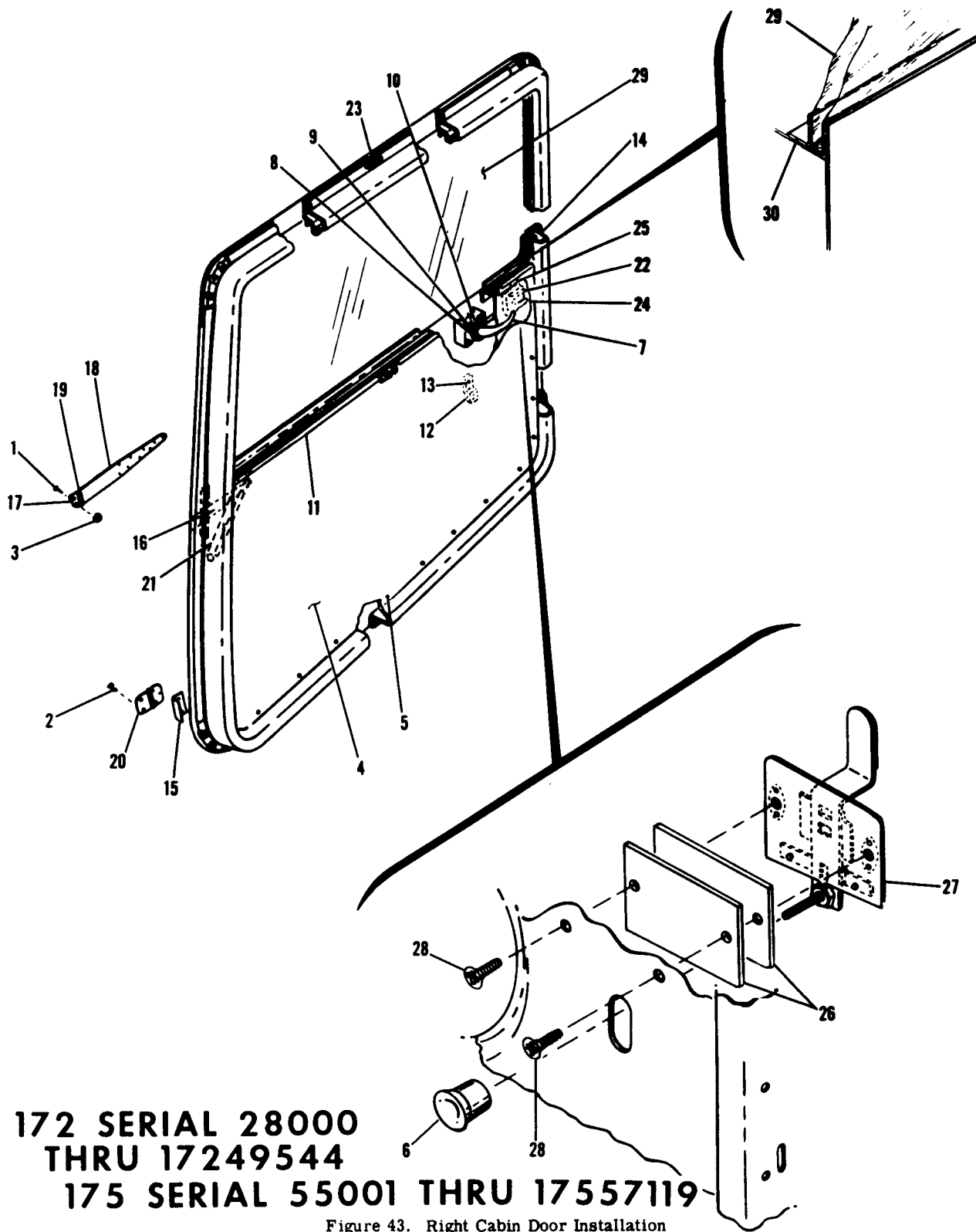
CONTINUED ON PAGE 136

FIGURE AND INDEX NO.	PART NUMBER	DESCRIPTION	UNITS PER ASSY	USABLE ON CODE
42A- 41	0711052-1	LATCH ASSEMBLY-WINDOW ----- ATTACHING PARTS ----- SCREW ----- -----*	1 2	
- 42	S10KL75	RIVNUT GD -----	1	
- 43	0411185-7	HINGE-WINDOW -----	2	J
	0411185-9	HINGE-WINDOW -----	2	K
- 44	S-1378-1-84.00	SEAL-WINDOW CESSNA STANDARD -----	1	
- 45	0711021-7	PLATE ----- ATTACHING PARTS ----- SCREW CESSNA STANDARD ----- -----*	1 2	
	S-1021Z-8-8			
<p>NOTE. *WHEN ORDERING THIS PART FOR AIRPLANES PRIOR TO 172 SERIAL 17248135 OR 175 SERIAL 17556890 ALSO ORDER 1 0711023-14 UPHOLSTERY RETAINER & 1 0711023-15 UPHOLSTERY RETAINER</p> <p>A---172 SERIAL 46755 THRU 17249544 175 SERIAL 56239 THRU 17557119 B---172 SERIAL 46755 THRU 17248134 C---175 SERIAL 56239 THRU 17556889 D---175 SERIAL 17556890 THRU 17249544 E---172 SERIAL 17248135 THRU 17557119 F---172 SERIAL 46755 THRU 17248134 175 SERIAL 56239 THRU 17556889 G---172 SERIAL 46755 THRU 17248408 175 SERIAL 56239 THRU 17556986 H---172 SERIAL 17248409 THRU 17249544 175 SERIAL 17556987 THRU 17557119 J---172 SERIAL 46755 THRU 17248360 175 SERIAL 56239 THRU 17556980 K---172 SERIAL 17248361 THRU 17249544 175 SERIAL 17556981 THRU 17557119</p>				

FIGURE AND INDEX NO.	PART NUMBER	DESCRIPTION	UNITS PER ASSY	USABLE ON CODE
		1 2 3 4 5 6 7		
43-		CABIN DOOR ASSEMBLY-RH --- ATTACHING PARTS	MP	
- 1	AM907-1032R8	SCREW -----	3	J
- 2	AM520-10R8	SCREW -----	3	K
	AM520-10R9	SCREW -----	2	J
- 3	AM520-10R8	SCREW -----	2	K
	MS20365-1032C	NUT -----	5	
- 4	0500103-52	PANEL ASSEMBLY-UPHOLSTERY ---	1	A
	0500104-4	PANEL ASSEMBLY-UPHOLSTERY ---	1	B
	0500104-59	PANEL ASSEMBLY-UPHOLSTERY ---	1	C
	0500104-57	PANEL ASSEMBLY-UPHOLSTERY -----	1	D
	0500104-83	PANEL ASSEMBLY-UPHOLSTERY -----	1	L
	0500104-84	PANEL ASSEMBLY-UPHOLSTERY -----	1	N
	0500104-85	PANEL ASSEMBLY-UPHOLSTERY -----	1	O
- 5	807	FASTENER-UPHOLSTERY PANEL AUV-----	13	
- 6	0411092-1	KNOB-THUMB LATCH-----	1	H
	0713303-2	KNOB-THUMB LATCH-----	1	G
- 7	0511189	HANDLE-DOOR INSIDE SEE FIGURE 42 -----	1	E
	0511303-1	HANDLE-DOOR INSIDE SEE FIGURE 42 -----	1	F
	0711027-1	HANDLE-DOOR INSIDE SEE FIGURE 42 -----	1	G
- 8	0511189-2	ESCUTCHEON-DOOR HANDLE SEE FIGURE 42-----	1	
- 9	0511189-1	CLIP-DOOR HAND RETAINING SEE FIGURE 42 -----	1	
- 10	0413317	SPRING-DOOR HANDLE -----	1	

CONTINUED ON PAGE 139

Door And Window (Cont)

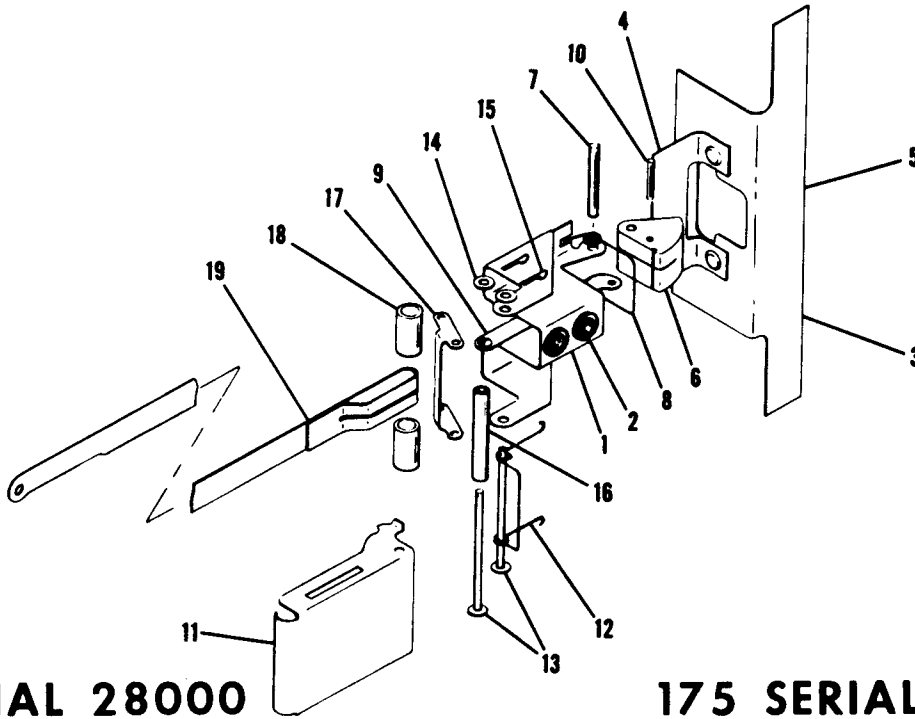


172 SERIAL 28000
THRU 17249544
175 SERIAL 55001 THRU 17557119

Figure 43. Right Cabin Door Installation

FIGURE AND INDEX NO.	PART NUMBER	DESCRIPTION	UNITS PER ASSY	USABLE ON CODE
		1 2 3 4 5 6 7		
43-	0511460-2 *	STRUCTURE ASSEMBLY-CABIN DOOR RH -----	1	
- 11	0711023-15	RETAINER-UPHOLSTERY-----	1	
- 12	0511463-1	CLIP-UPHOLSTERY -----	2	
		ATTACHING PARTS		
- 13	S-1021Z-4-4	SCREW CESSNA STANDARD -----	2	
		-----*		
- 14	0711013	WEATHERSTRIP -----	1	
- 15	0511461-1	REINFORCEMENT-DOOR HINGE-----	1	
- 16	0511464-1	ANGLE-DOOR REINFORCEMENT-----	1	
	0511280-2	HINGE ASSEMBLY-DOOR UPPER RIGHT -----	1	
- 17	0511237-2	HINGE HALF ASSEMBLY -----	1	
- 18	0511238-2	HINGE HALF ASSEMBLY -----	1	
- 19	0711001-59	PIN-HINGE -----	1	
- 20	0511280-4	HINGE ASSEMBLY-DOOR LOWER RIGHT -----	1	
- 21	0511106-23	BRACKET-HINGE UPPER-----	1	M
	0511467-1	BRACE-HINGE UPPER -----	1	P
	0411576	PAN-DOOR LATCH-----SEE FIGURE 42 -----	1	
	0511227-6	SHAFT-DOOR HANDLE SEE FIGURE 42 -----	1	
- 22	0411886	SPACER-DOOR LATCH PAN -----	4	
- 23	A1663-028-1	LATCH-DOOR STOP TIN -----	1	
	0413195-3	PLATE ASSEMBLY-DOOR HANDLE BEARING SEE FIG. 42 -----	1	
		ATTACHING PARTS		
	S-1022Z-8-8	SCREW CESSNA STANDARD -----	4	
	NAS395-16-3	NUT -----	4	
		-----*		
	0511465-1	BRACKET ASSEMBLY-DOOR HANDLE INNER SEE FIG 42 -----	1	
	MS20392-3-27	PIN SEE FIGURE 42 -----	1	
- 24	0511112-16	LATCH ASSEMBLY-DOOR-----SEE FIGURE 44 -----	1	
		ATTACHING PARTS		
- 25	AN520-10R6	SCREW -----	8	
		-----*		
- 26	0511466-1	DOUBLER-THUMB LATCH-----	2	
- 27	0411590-1	LATCH ASSEMBLY-THUMB SEE FIGURE 45-----	1	
		ATTACHING PARTS		
- 28	S-1021Z-8-8	SCREW CESSNA STANDARD -----	2	
		-----*		
- 29	0511106-3	GLASS ASSEMBLY-WINDOW -----	1	M
	1210040-23	GLASS ASSEMBLY-WINDOW -----	1	P
- 30	1210040-10	RETAINER-WINDOW -----	1	P
<p>NOTE. *WHEN ORDERING THIS PART FOR AIRPLANES PRIOR TO 172 SERIAL 17248182 OR 175 SERIAL 17556928 ALSO ORDER 1 0511106-150 UPHOLSTERY RETAINER</p> <p>A---172 SERIALS 28000 THRU 29174 B---172 SERIALS 29175 THRU 36215 C---172 SERIAL 36216 THRU 17248181 D---175 SERIALS 55001 THRU 56238 E---172 SERIALS 28000 THRU 36561 F---172 SERIALS 35562 THRU 36965 175 SERIAL 55001 THRU 17557119 G---172 SERIAL 36966 THRU 17249544 175 SERIAL 55704 THRU 17557119 H---172 SERIALS 28000 THRU 36965 175 SERIALS 55001 THRU 55703 J---172 SERIALS 28000 THRU 46754 175 SERIALS 55001 THRU 56238 K---172 SERIAL 46755 THRU 17249544 175 SERIAL 56239 THRU 17557119 L---175 SERIAL 56239 THRU 17556927 M---172 SERIAL 28000 THRU 17248181 175 SERIAL 55001 THRU 17556927 N---175 SERIAL 17556928 THRU 17557119 O---172 SERIAL 17248182 THRU 17249544 P---172 SERIAL 17248182 THRU 17249544 175 SERIAL 17556928 THRU 17557119</p>				

Door & Window (Cont)



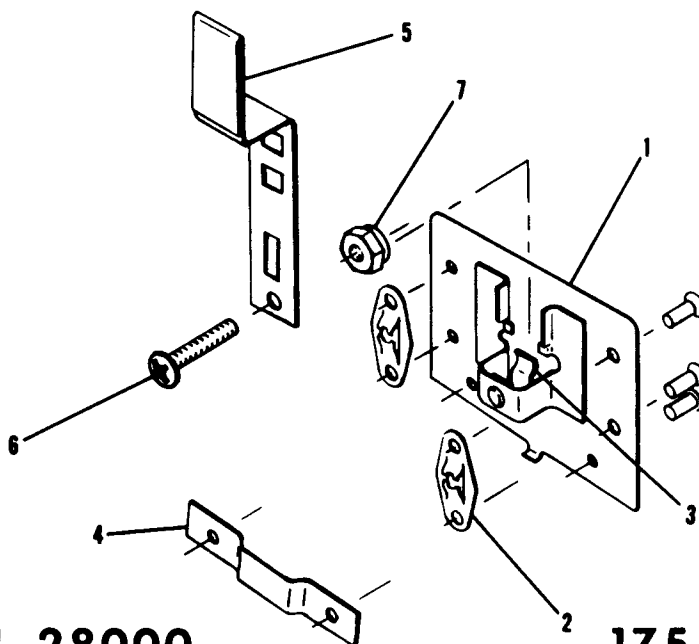
172 SERIAL 28000
THRU 17249544

175 SERIAL 55001
THRU 17557119

Figure 44. Cabin Door Latch Assembly

FIGURE AND INDEX NO.	PART NUMBER	DESCRIPTION	UNITS PER ASSY							USABLE ON CODE	
			1	2	3	4	5	6	7		
44-	0511112-17	LATCH ASSEMBLY-DOOR								2	
- 1	0511112-13	HOUSING ASSEMBLY								1	
- 2	S10K75	RIVNUT-HOUSING								4	
- 3	0511112-15	BRACKET ASSEMBLY-DOOR LATCH								1	
- 4	0511112-4	BRACKET-LATCH								1	
- 5	0511112-14	PLATE-LATCH								1	
- 6	0411552	CATCH								1	
		ATTACHING PARTS									
- 7	AN253-3-100	SHAFT								1	
- 8	0511247-1	SPRING								1	
		ATTACHING PARTS									
- 9	0511298-1	PULL BAR								1	
		ATTACHING PARTS									
- 10	AN253-2-500	SHAFT								1	
		ATTACHING PARTS									
- 11	0411557	HANDLE								1	
		ATTACHING PARTS									
- 12	0511119	SPRING								1	
- 13	MS20392-1-53	PIN								2	
- 14	NAS70A-128-313	WASHER								3	
- 15	MS24665-132	PIN-COTTER								2	
- 16	0511298-2	SPACER								1	
- 17	0411559	SPACER								1	
- 18	NAS43DD3-27	SPACER								2	
		ATTACHING PARTS									
- 19	0411575-7	STRAP								1	

Door & Window (Cont)



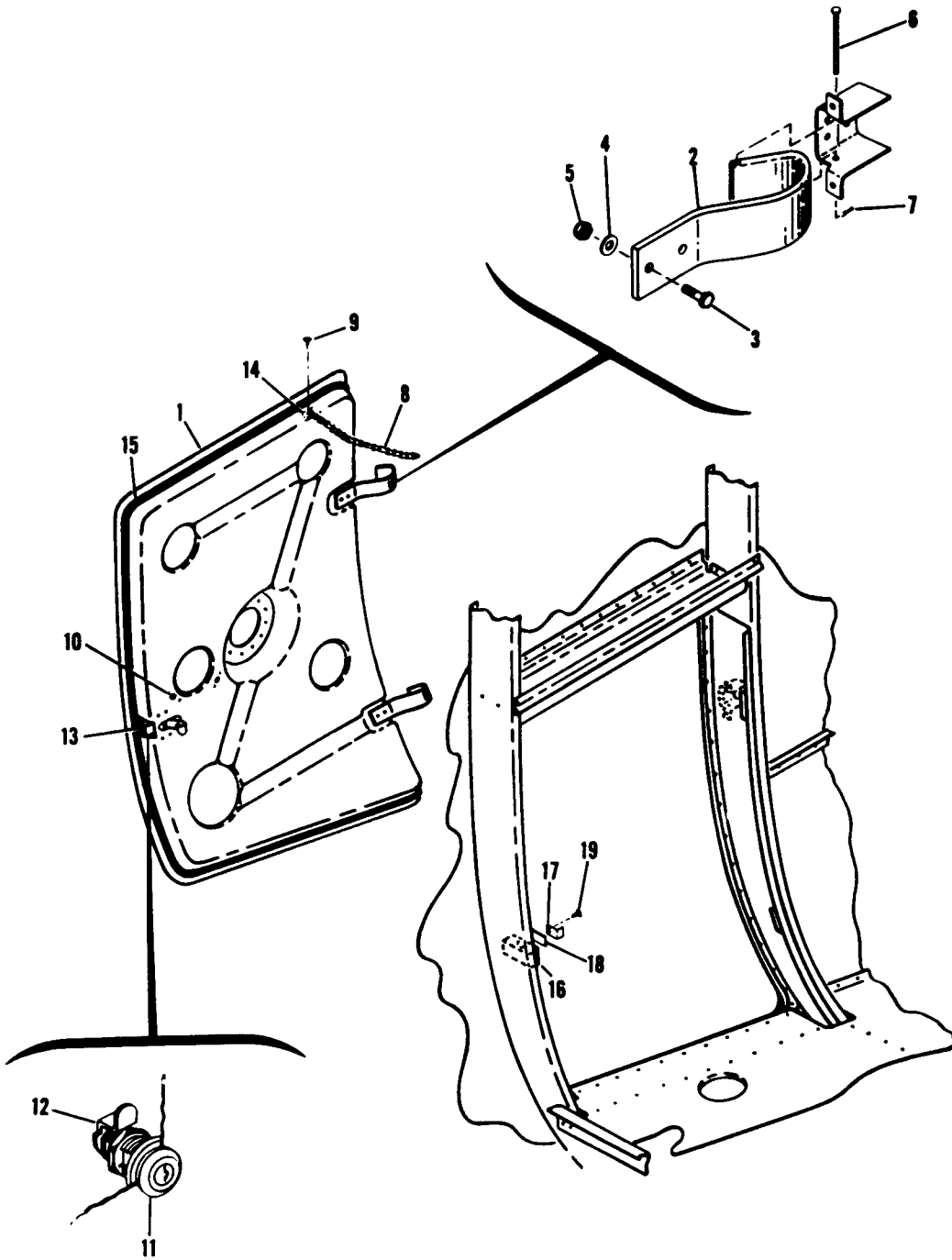
172 SERIAL 28000
THRU 17249544

175 SERIAL 55001
THRU 17557119

Figure 45. Cabin Door Thumb Latch Assembly

FIGURE AND INDEX NO.	PART NUMBER	DESCRIPTION	UNITS PER ASSY	USABLE ON CODE
		1 2 3 4 5 6 7		
45-	0411590-1	LATCH ASSEMBLY-THUMB -----	1	
- 1	0411665	HOUSING-THUMB LATCH -----	1	
- 2	NAS444-4	ATTACHING PARTS NUT TIN A6191-8Z-3 -----	2	
- 3	0411591	SPRING-THUMB LATCH -----	1	
- 4	0411590-3	BRACKET-THUMB LATCH -----	1	
- 5	0411592-1	BOLT-DOOR LATCH -----	1	
- 6	AN515-8R12	SCREW -----	1	
- 7	MS20364-832C	NUT -----	1	

Baggage Door



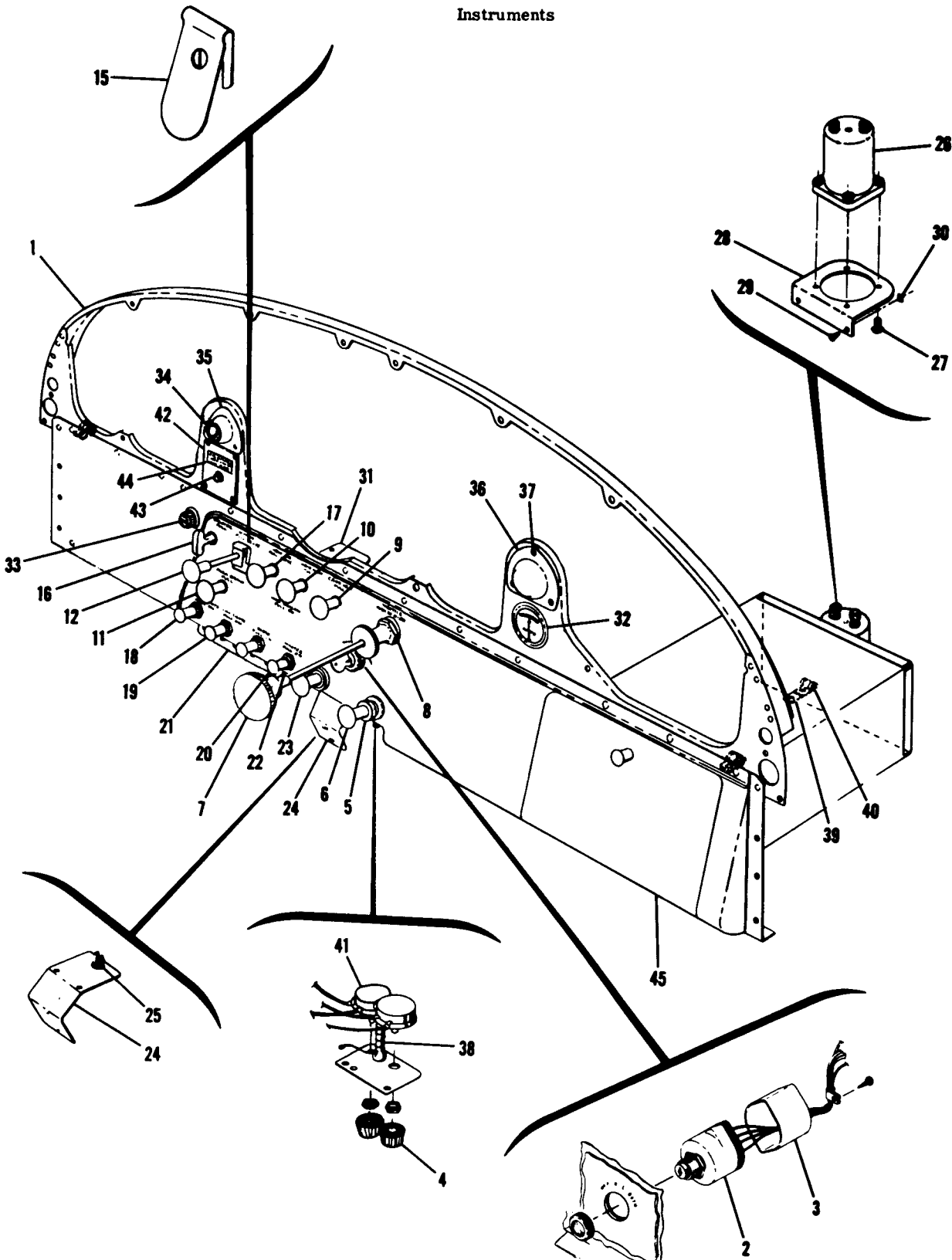
172 SERIAL 17247747 THRU 17249544
175 SERIAL 56239 THRU 17557119

Figure 45A. Baggage Door Installation



FIGURE AND INDEX NO.	PART NUMBER	DESCRIPTION	UNITS PER ASSY	USABLE ON CODE
			1 2 3 4 5 6 7	
45A-		BAGGAGE DOOR INSTALLATION-FUSELAGE -----	NP	A
- 1	0711101-29	DOOR ASSEMBLY-BAGGAGE-----WHEN EXHAUSTED-----	1	
		USE 0711101-33		
	0711101-33	DOOR ASSEMBLY-BAGGAGE- 172 SERIAL 17247747	1	C
		ATTACHING PARTS		
- 2	0711102	HINGE-BAGGAGE DOOR --- THRU 17249544 ---	2	
- 3	AN520-10R10	SCREW	2	
	AN3-5A	BOLT ALTERNATE --	4	
- 4	AN960-10A	WASHER----- 175 SERIAL 56239 ---	4	
- 5	MS20365-1032C	NUT	4	
- 6	MS20392-1-49	PIN-CLEVIS ----- THRU 17557119 ---	2	
- 7	MS24665-132	PIN-COTTER -----	2	
- 8	S-1194-1	CHAIN-BAGGAGE DOOR STOP CESSNA STANDARD -----	1	
- 9	AN515-8R6	SCREW -----	2	
- 10	NAS680A08	NUTPLATE -----	2	C
- 11	0413323-3	LOCK ASSEMBLY-BAGGAGE DOOR -----	1	B
	0413323-7	LOCK ASSEMBLY-BAGGAGE DOOR -----	1	C
- 12	0413323-1	CAM-BAGGAGE DOOR LOCK -----	1	B
	0711134-1	CAM-BAGGAGE DOOR LOCK -----	1	C
- 13	S-1189-1	LATCH ASSEMBLY-BAGGAGE DOOR CESSNA STANDARD -----	1	B
	S-1189-2	LATCH ASSEMBLY-BAGGAGE DOOR CESSNA STANDARD -----	1	C
- 14	NAS680A08	NUTPLATE -----	1	
- 15	S-1084-1	SEAL-----80.0 IN LG-----BULK ITEM-----REF S-1084-1-80.0	1	
- 16	0711101-25	REINFORCEMENT ASSEMBLY-STRIKE PLATE-----	1	
	NAS684A08	NUTPLATE -----	2	
- 17	0311319-1	PLATE-STRIKE -----	1	
		ATTACHING PARTS		
- 18	0311319-2	SHIM-STRIKE PLATE -----	1	
- 19	AN515-8R6	SCREW -----	2	
<p>-----*</p> <p>A---175 SERIAL 56239 THRU 17557119 172 SERIAL 17247747 THRU 17249544 B---172 SERIAL 17247747 THRU 17248734 175 SERIAL 56239 THRU 17557002 C---172 SERIAL 17248735 THRU 17249544 175 SERIAL 17557003 THRU 17557119</p>				

Instruments



172 SERIAL 28000 THRU 36965

Figure 46. Stationary Instrument Panel Equipment Installation

FIGURE AND INDEX NO.	PART NUMBER	DESCRIPTION	UNITS PER ASSY	USABLE ON CODE
		1 2 3 4 5 6 7		
46-		STATIONARY INSTRUMENT PANEL EQUIPMENT INSTALLATION -----	MP	E
- 1	0513040-32	PANEL ASSEMBLY-STATIONARY -----SEE FIGURE 40 -----	1	
- 2	0311038-2	SWITCH-IGNITION -----	1	
- 3	0311777	SHIELD ASSEMBLY -----	1	
- 4	0413126-4	RHEOSTAT ASSEMBLY-PANEL LIGHT WITH KNOB -----	1	
- 5	0311538-8	PRIMER ASSEMBLY-ENGINE -----	1	
- 6	0413017-1	KNOB-PRIMER ----- 172 SERIAL 28000 -----	1	
- 7	0411091-9	CONTROL-THROTTLE ----- THRU 36965 -----	1	
- 8	0513004-16	ADAPTER-THROTTLE CONTROL -----	2	
- 9	0411090-22	CONTROL-CARBURETOR HEAT REF 0411090-8 -----	1	
- 10	0411090-22	CONTROL-CABIN HEAT REF 0411090-5 -----	1	
- 11	0411090-29	CONTROL-PARKING BRAKE-----REF 0411090-19-----	1	
- 12	0411090-22	CONTROL-CARBURETOR MIXTURE----- REF 0411090-8 -----	1	
- 13		DELETED, REPLACED BY 0513173-1 -----		
- 14		DELETED, REPLACED BY 0513173-1 -----		
- 15	0513173-1	CONTROL LOCK -----	1	
- 16	0513142-7	CONTROL-STARTER REF 0513142-1 -----	1	
		ATTACHING PARTS -----		
	AN960-616L	WASHER-----	1	
- 17	0411090-13	CONTROL-CABIN AIR PUSH-PULL REF 0411090-17 -----	1	
- 18	0713035	SWITCH ASSEMBLY-LANDING LIGHT -----	1	
	0411092-1	KNOB-LANDING LIGHT SWITCH -----	1	
- 19	0713026-4	SWITCH-NAVIGATION LIGHT -----	1	
	0411092-1	KNOB-NAVIGATION LIGHT SWITCH -----	1	
- 20	0713026-5	SWITCH-MASTER -----	1	
	0411092-1	KNOB-MASTER SWITCH -----	1	
- 21	0411023-1	RETAINER-FUSE -----	1	
	0411023-3	FUSE-5 AMP -----	2	
	0411023-2	FUSE-10 AMP -----	1	
	0411023-6	FUSE-20 AMP -----	1	
	0411023-4	FUSE-25 AMP -----	1	
- 22	51142	PLUG BUTTON-----UC -----	1	
- 23	0513039-7	* LIGHTER-CIGAR CUMO -----	1	
	34	* TRIM CUP CUMO -----	1	
	33	* PLUG-HEATING CUMO -----	1	
	32	* SOCKET ASSEMBLY CUMO -----	1	
	0412480-6	KNOB-CIGAR LIGHTER -----	1	
- 24	0713200-19	BRACKET-MICROPHONE -----	1	
		ATTACHING PARTS -----		
	S-10212-6-8	SCREW CESSNA STANDARD -----	2	
	NAS446-2-3	NUT TIN A1181-62-3 -----	2	
- 25	S-1102-1	JACK-MICROPHONE CESSNA STANDARD-----	1	
- 26	0511062-10	INDICATOR-STALL WARNING -----	1	
		ATTACHING PARTS -----		
- 27	AN515B6R12	SCREW -----	4	
- 28	0313313-3	BRACKET -----	1	
		ATTACHING PARTS -----		
- 29	S-10212-8-8	SCREW CESSNA STANDARD -----	2	
- 30	NAS446-4-3	NUT TIN A1778-82-3 -----	2	
- 31	CA-2	CIRCUIT BREAKER SPT -----	1	
		ATTACHING PARTS -----		
	AN515B6R12	SCREW -----	2	
- 32	0411020-1	AMMETER WHEN EXHAUSTED USE S-1319-1 -----	1	A
	S-1319-1	AMMETER 30 AMP CESSNA STANDARD -----	1	A
- 33	0513051-1	INDICATOR LIGHT-GENERATOR -----	1	C
	0513051-8	INDICATOR LIGHT-GENERATOR -----	1	D
		ATTACHING PARTS -----		
	0713072-1	WASHER-----	1	B
- 34	0411224	BALL-CONTROL TUBE -----	2	
- 35	0411225	SOCKET-CONTROL TUBE -----	4	
- 36	0411225-1	COVER -----	1	
		ATTACHING PARTS -----		
- 37	AN515-6R8	SCREW -----	3	
	MS20365-632C	NUT -----	3	

CONTINUED ON PAGE 146

NOTE. FOR ACCESSORY KIT LISTINGS REFER TO PAGE 364

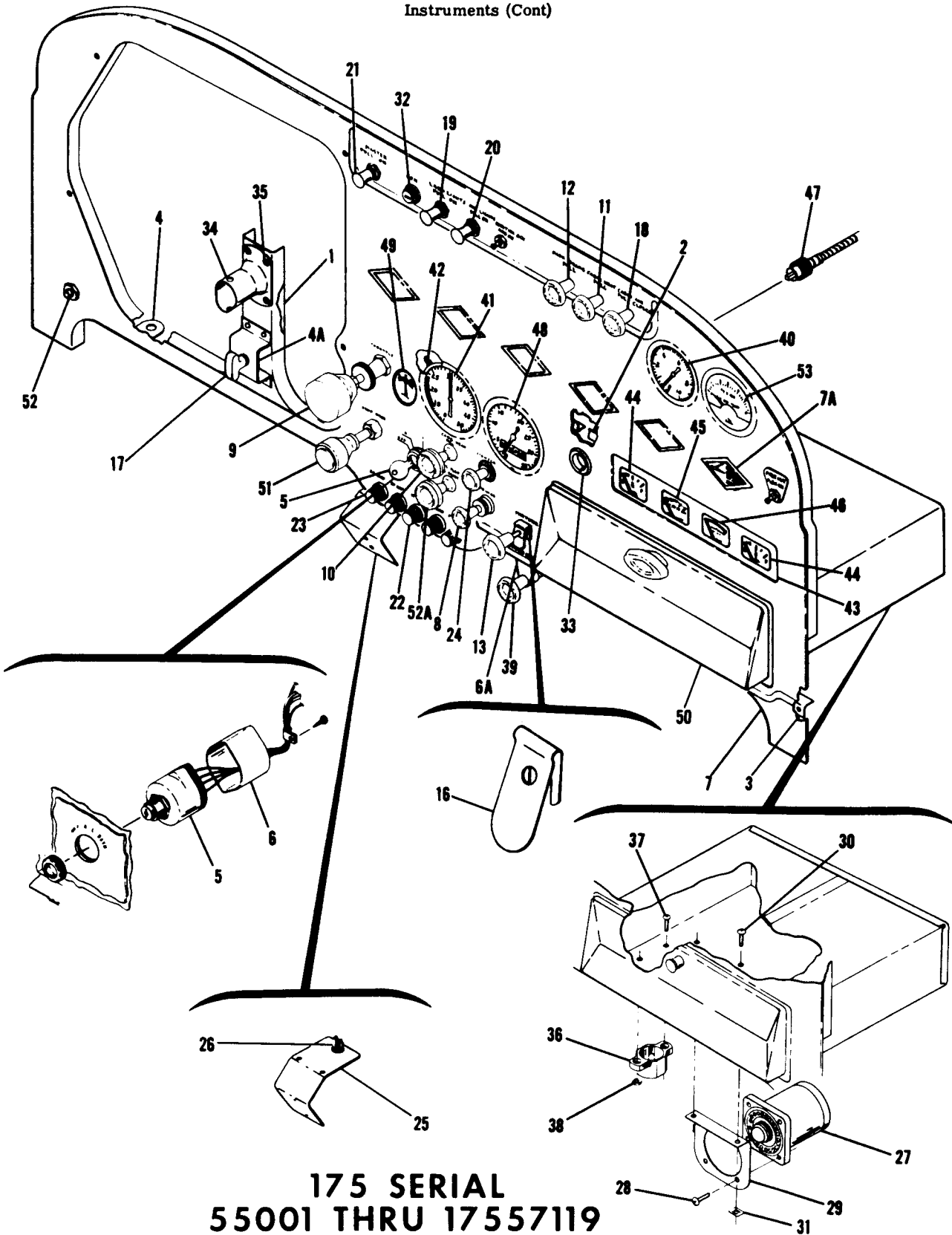


FIGURE AND INDEX NO.	PART NUMBER	DESCRIPTION	1 2 3 4 5 6 7							UNITS PER ASSY	USABLE ON CODE
46- 38 - 39	60 OHM-10W 0413116-5	RESISTOR OM STRAP								1 1	A
	AN3-3A MS20365-1032C	ATTACHING PARTS BOLT NUT								1 1	
- 40	A3047A-4-92 S-10212-8-6	CLAMP TIN ATTACHING PARTS SCREW CESSNA STANDARD								1 1	
- 41	0413126-7	RHEOSTAT ASSEMBLY								1	
- 42	0713200-7	COVER								1	
	AN515-6R8 MS20365-632C	ATTACHING PARTS SCREW NUT								4 4	
- 43	0511063	SWITCH-OIL DILUTION								1	
- 44	0550192	PLACARD-OIL DILUTION								1	
- 45		GLOVE BOX & DOOR INSTALLATION SEE FIGURE 49								1	
<p>NOTE. * CASCO PARTS ARE NO LONGER AVAILABLE. FOR REPLACEMENT ORDER COMPLETE CUNO ASSEMBLY, 0513039-7 AND 0412480-6 KNOB.</p> <p>A---172 SERIAL 28000 THRU 29174 B---172 SERIAL 29175 THRU 36965 C---172 SERIAL 29175 THRU 29833 D---172 SERIAL 29834 THRU 36965 E---172 SERIAL 28000 THRU 36965</p> <p>NOTE. FOR ACCESSORY KIT LISTINGS REFER TO PAGE 364</p>											

FIGURE AND INDEX NO.	PART NUMBER	DESCRIPTION	UNITS PER ASSY							USABLE ON CODE	
			1	2	3	4	5	6	7		
47-		STATIONARY INSTRUMENT PANEL EQUIPMENT INSTALLATION								MP	A
	0513133-1	PANEL ASSEMBLY-STATIONARY								1	E
	0513133-42	PANEL ASSEMBLY-STATIONARY								1	S
	0513133-52	PANEL ASSEMBLY-STATIONARY								1	T
- 1	0513133-20	STIFFENER								1	
- 2	0513133-4	STIFFENER-UPPER								1	
- 3	0513133-5	STIFFENER-LOWER								1	
- 4	0513133-12	PLATE-MOUNTING								1	
- 4A	0513133-23	BRACKET								1	F
	S-1103-1	JACK-HEADPHONE CESSNA STANDARD								1	
- 5	0311038-2	SWITCH-IGNITION								1	W
	S-1255-5	SWITCH-LOCK KIT CESSNA STANDARD								1	T
- 6	0311777	SHIELD ASSEMBLY								1	W
- 6A	0576001-4	SUPPORT-DRAIN CONTROL								1	
- 7	0513133-13-156	COVER-STATIONARY PANEL								1	E
	0513133-44-156	COVER-STATIONARY PANEL WHEN EXHAUSTED USE 0513133-35								1	O
	0513133-35-279	COVER-STATIONARY PANEL								1	U
	0513133-55-279	COVER-STATIONARY PANEL								1	T
	S-1021Z-8-8	ATTACHING PARTS									
	99608K2215	SCREW CESSNA STANDARD								2	R
		FASTENER-STUD								2	P
- 7A	0500053-1	EMBLEM								1	F
- 8	0311538-8	PRIMER ASSEMBLY-ENGINE								1	F
	0311538-10	PRIMER ASSEMBLY-ENGINE								1	F
	0413017-1	KNOB-PRIMER								1	F
	S-1240-5	KNOB-PRIMER								1	F
- 9	0411091-24	CONTROL-THROTTLE								1	E
	0411091-30	CONTROL-THROTTLE								1	J
	0411091-32	CONTROL-THROTTLE								1	H
- 10	0411090-22	CONTROL-CARBURETOR HEAT REF 0411090-28								1	E
	0713302-5	CONTROL-CARBURETOR HEAT REF 0513159-5								1	J
	0713302-5	CONTROL-CARBURETOR HEAT REF 0513159-11								1	Q
	0513183-2	CONTROL-CARBURETOR								1	P
- 11	0411090-22	CONTROL-CABIN HEAT REF 0411090-24								1	P
	0713302-5	CONTROL-CABIN HEAT REF 0513159-6								1	O
	0713302-6	CONTROL-CABIN HEAT REF 0513159-3								1	P
- 12	0411090-29	CONTROL-PARKING BRAKE REF 0411090-26								1	O
	0713302-7	CONTROL-PARKING BRAKE REF 0513159-10								1	P
	0713302-7	CONTROL-PARKING BRAKE REF 0513159-21								1	O
- 13	0411090-22	CONTROL-CARBURETOR MIXTURE REF 0411090-27								1	E
	0713302-7	CONTROL-CARBURETOR MIXTURE REF 0513159-8								1	J
	0713302-7	CONTROL-CARBURETOR MIXTURE REF 0513159-10								1	H
- 14		DELETED; REPLACED BY 0513173-1									
- 15		DELETED; REPLACED BY 0513173-1									
- 16	0513173-1	CONTROL LOCK								1	
- 17	0513142-7	CONTROL-STARTER REF 0513142-2								1	E
	0513171-1	CONTROL-STARTER								1	J
	0513171-1	CONTROL-STARTER REF 0513171-3								1	O
	0513187-3	CONTROL-STARTER								1	X
- 18	0411090-13	CONTROL-CABIN AIR PUSH-PULL REF 0411090-25								1	S
	0713302-6	CONTROL-FRESH AIR REF 0513159-3								1	T
	0713302-6	CONTROL-CABIN AIR PUSH-PULL REF 0513159-7								1	F
- 19	0713035	SWITCH ASSEMBLY-LANDING LIGHT								1	
- 20	0713026-4	SWITCH-NAVIGATION LIGHT								1	
- 21	0713026-5	SWITCH-MASTER								1	
	0411092-1	KNOB-SWITCH								3	E
	0713303-2	KNOB-SWITCH								3	F
	S-1090-5	FUSEHOLDER-20 AMP CESSNA STANDARD								2	
	S-1090-4	FUSEHOLDER-15 AMP CESSNA STANDARD								2	
	S-1090-3	FUSEHOLDER-10 AMP CESSNA STANDARD								3	G
- 22	S-1091-15	FUSE-15 AMP CESSNA STANDARD								3	H
	S-1091-10	FUSE-10 AMP CESSNA STANDARD								3	G
- 23	S-1091-20	FUSE-20 AMP CESSNA STANDARD								2	H
- 24	0513039-7	LIGHTER ASSEMBLY-CIGAR								1	
	34	TRIM CUP CUNO								1	
	33	PLUG-HEATING CUNO								1	
	32	TRIM CUP CUNO								1	
	0412480-6	KNOB-CIGAR LIGHTER								1	E
	S-1240-6	KNOB-CIGAR LIGHTER								1	F
- 25	0513135-1	BRACKET-MICROPHONE								1	
	0513135-2	BRACKET-MICROPHONE USE WITH DUAL TRANSMITTER								1	
- 26	S-1102-1	JACK-MICROPHONE CESSNA STANDARD								1	

CONTINUED ON PAGES 148, 149, & 150

Instruments (Cont)



175 SERIAL
55001 THRU 17557119

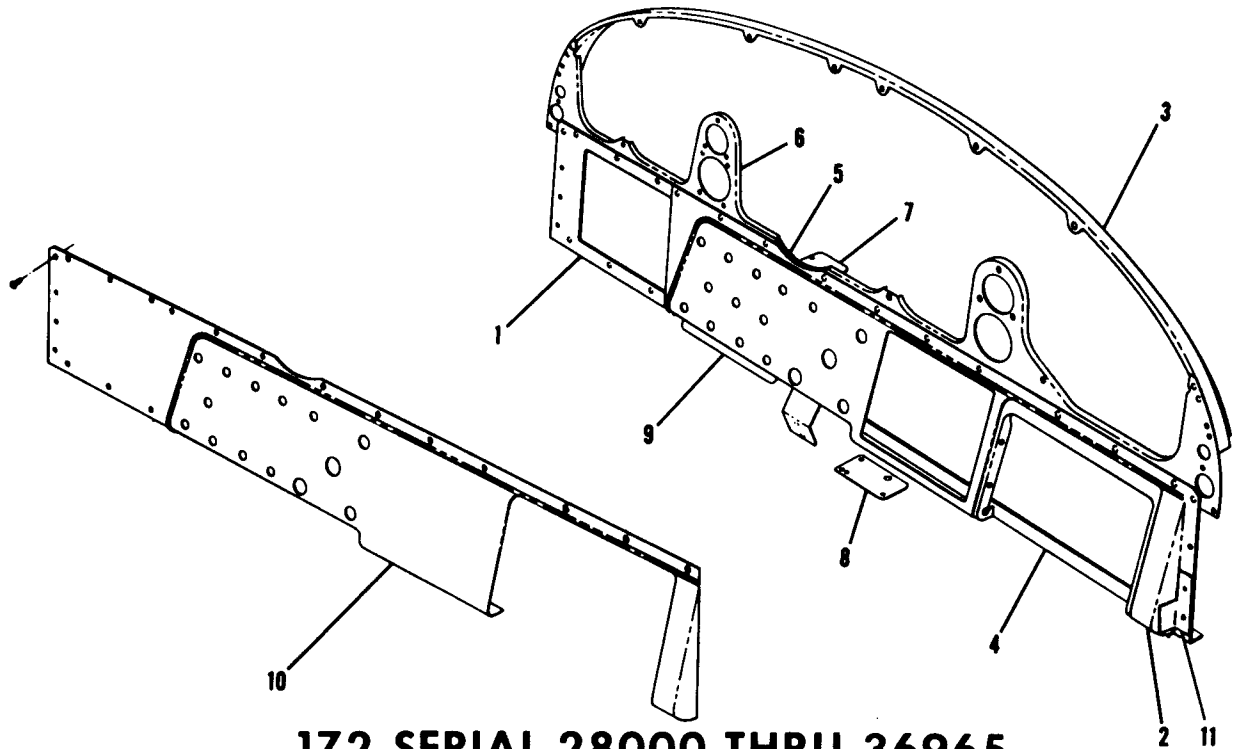
Figure 47. Stationary Instrument Panel Equipment Installation

FIGURE AND INDEX NO.	PART NUMBER	DESCRIPTION	UNITS PER ASSY							USABLE ON CODE	
			1	2	3	4	5	6	7		
47- 27	0511062-10	HORN ASSEMBLY-STALL WARNING ATTACHING PARTS								1	
- 28	AN515B6R12	SCREW								4	
- 29	0313313-3	BRACKET ATTACHING PARTS								1	
- 30	S-10212-8-6	SCREW CESSNA STANDARD								2	
- 31	NAS446-4-3	NUT TIM A1778-8Z-3								2	
- 32	0513051-8	INDICATOR LIGHT-GENERATOR								1	
- 33	0513056-2	GROMMET-CONTROL TUBE								2	
- 34	0513146-4	COLLAR-CONTROL LOCK								1	W T
	0513146-16	COLLAR-CONTROL LOCK								1	
	0513056-1	GROMMET-CONTROL TUBE ATTACHING PARTS								2	
- 35	AN515-6R8 MS20365-632C	SCREW NUT								4 4	
- 36	CA-2	CIRCUIT BREAKER SPT ATTACHING PARTS								1	
- 37	AN515B6R12	SCREW								2	
- 38	MS20365B-632C	NUT								2	
- 39	0411090-29 0411090-29 0713302-7 0713302-7	CONTROL-STRAINER DRAIN CONTROL-STRAINER DRAIN REF 0411090-35 CONTROL-STRAINER DRAIN REF 0513159-9 CONTROL-STRAINER DRAIN REF 0513159-17								1 1 1 1	C D O P B
-39A	054356-1	PLACARD-STRAINER DRAIN								1	
- 40	0311057-1 S-1300N1	SUCTION GAGE WHEN EXHAUSTED USE S-1300N1 SUCTION GAGE REMANUFACTURED								1 1	
	AN515B6R12 AN340B6 AN936A6B	ATTACHING PARTS SCREW NUT WASHER								4 8 4	
- 41	0311029-6 S-1301N2	GAGE-MANIFOLD PRESSURE WHEN EXHAUSTED USE S-1301N2 GAGE-MANIFOLD PRESSURE REMANUFACTURED								1 1	
- 42	AN515B6R16 AN340B6 AN936A6B	ATTACHING PARTS SCREW NUT WASHER								4 8 4	
- 43	0513144-1 0513144-12 0513144-15	PANEL ASSEMBLY PANEL ASSEMBLY PANEL ASSEMBLY								1 1 1	G Q P
	AN515B6R10 AN340B6 AN936A6B	ATTACHING PARTS SCREW NUT WASHER								2 2 2	
- 44	0713062-6 0513144-14	GAGE-FUEL GAGE-FUEL								2 2	
- 45	0513144-9 0513144-8 0513144-2	GAGE-OIL PRESSURE ELECTRIC GAGE-OIL PRESSURE DIRECT GAGE-OIL TEMPERATURE								1 1 1	
- 47	0450017-15 0450017-18	SHAFT-TACHOMETER DRIVE SHAFT-TACHOMETER DRIVE								1 1	K L K M V T
- 48	0411087-29 0411087-30 0511035-3 0511035-6	TACHOMETER TACHOMETER THIS PART ALSO ALT FOR 0511035-3 TACHOMETER TACHOMETER								1 1 1 1	
	AN515B6R12 AN340B6 AN936A6B	ATTACHING PARTS SCREW NUT WASHER								4 8 4	

CONTINUED ON PAGE 150

FIGURE AND INDEX NO.	PART NUMBER	DESCRIPTION	UNITS	USABLE
			PER ASSY	ON CODE
47- 49 - 50 - 51 - 52 -52A - 53	0411020-1	AMMETER WHEN EXHAUSTED USE S-1319-1 -----	1	W
	S-1319-1	AMMETER 30 AMP CESSNA STANDARD -----	1	
	0700036-2	ADAPTER-AMMETER -----	1	W
		ATTACHING PARTS		
	MS20365-632C	NUT -----	4	
		GLOVE BOX & DOOR INSTALLATION SEE FIGURES 49 & 49A ----	NP	
	S-1223-1	CONTROL ASSEMBLY-PROPELLER PITCH CESSNA STANDARD ----	1	T
	0511063	SWITCH-STARTER -----	1	X
	S-1298-1	CONTROL-COWL FLAPS CESSNA STANDARD -----	1	T
	S-1307N1	GAGE-CYLINDER HEAD TEMPERATURE-----CESSNA STANDARD-----	1	T
		ATTACHING PARTS		
	AN515B6R12	SCREW -----	4	T
	0311018-12	LEAD-THERMOCOUPLE -----	1	T
		NOTE. * CASCO PARTS ARE NO LONGER AVAILABLE. FOR REPLACEMENT ORDER COMPLETE CUNO ASSEMBLY 0513039-7 AND APPLICABLE KNOB.		
	NOTE. □ THIS KIT ALSO INCLUDES TWO DOOR LOCKS & KEYS.			
	A---175 SERIAL 55001 THRU 17557119			
	B---175 SERIAL 55279 THRU 55437			
	C---175 SERIAL 55001 THRU 55437			
	D---175 SERIAL 55438 THRU 55703			
	E---175 SERIAL 55001 THRU 55703			
	F---175 SERIAL 55704 THRU 17557119			
	G---175 SERIAL 55001 THRU 56238			
	H---175 SERIAL 56239 THRU 17557119			
	J---175 SERIAL 55704 THRU 56238			
	K---175 SERIAL 55001 THRU 56194			
	L---175 SERIAL 56195 THRU 17557119			
	M---175 SERIAL 56195 THRU 56323			
	N---175 SERIAL 56324 THRU 17557119			
	O---175 SERIAL 55704 THRU 56777			
	P---175 SERIAL 17556778 THRU 17557119			
	Q---175 SERIAL 56239 THRU 56777			
	R---175 SERIAL 55001 THRU 56777			
	S---175 SERIAL 55704 THRU 17557002			
	T---175 SERIAL 17557003 THRU 17557119			
	U---175 SERIAL 17556778 THRU 17557002			
	V---175 SERIAL 56234 THRU 17557002			
	W---175 SERIAL 55001 THRU 17557002			
	X---175 SKYLARK SERIAL 17556778 THRU 17557002			
	NOTE. FOR ACCESSORY KIT LISTINGS REFER TO PAGE 364			

Instruments (Cont)

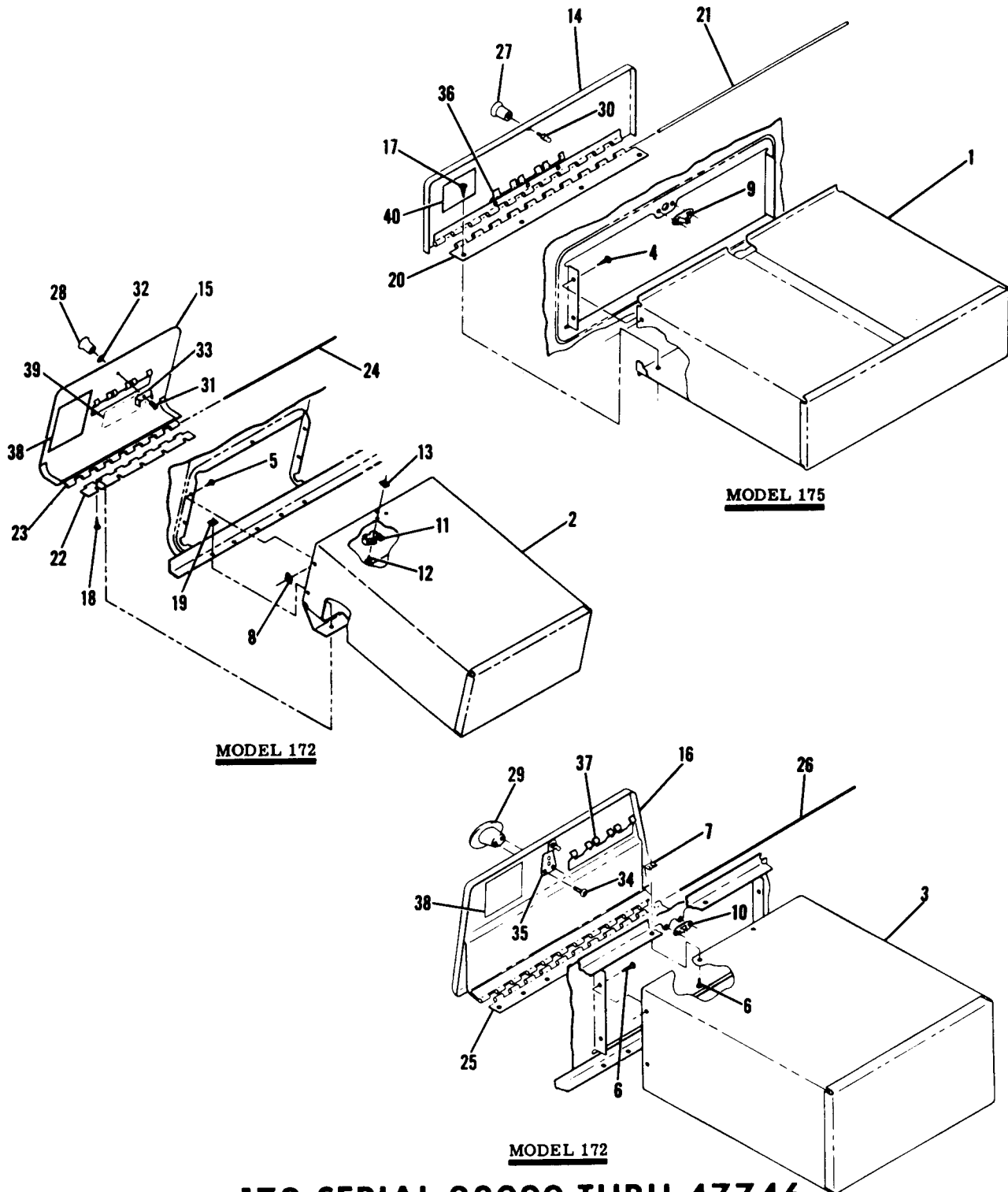


172 SERIAL 28000 THRU 36965
Figure 48. Stationary Instrument Panel Assembly

FIGURE AND INDEX NO.	PART NUMBER	DESCRIPTION	UNITS PER ASSY							USABLE ON CODE	
			1	2	3	4	5	6	7		
48-		PANEL ASSEMBLY-STATIONARY INSTRUMENT -----									
- 1	0513040-32	PANEL-LEFT LOWER-----									A
- 2	0513040-29	PANEL-RIGHT LOWER-----									A
- 3	0513004-4	CHANNEL-UPPER PANEL-----									A
- 4	0513040-6	ANGLE-LOWER STIFFENER-----									A
- 5	0513040-7	ANGLE-UPPER STIFFENER-----									A
- 6	0513004-31	PANEL-----									A
- 7	0513004-21	BRACKET-CIRCUIT BREAKER MOUNTING-----									A
- 8	0413131-3	BRACKET-RHEOSTAT-----									A
- 9	0513042	PANEL-FUSE-----									A
		ATTACHING PARTS									
	AN515-8R8	SCREW-----									
	MS20365-832C	NUT-----									
- 10	0513044-3	PANEL COVER-STATIONARY-----									B
	0513044-6	PANEL COVER-STATIONARY-----									C
- 11	0513040-10	CLIP-PANEL MOUNTING-----									
	A3047A-8-92	CLAMP TIN-----									
		ATTACHING PARTS									
	S-1021Z-8-8	SCREW CESSNA STANDARD-----									

A---172 SERIAL 28000 THRU 36965
B---172 SERIAL 28000 THRU 29174
C---172 SERIAL 29175 THRU 36965

Instruments (Cont)



172 SERIAL 28000 THRU 47746
175 SERIAL 55001 THRU 56777

Figure 49. Glove Box and Door Installation

FIGURE AND INDEX NO.	PART NUMBER	DESCRIPTION	UNITS PER ASSY	USABLE ON CODE
1 2 3 4 5 6 7				
49-		GLOVE BOX & DOOR INSTALLATION	MP	
- 1	0513225-1	BOX ASSEMBLY-GLOVE	1	B
- 2	0513036-3	BOX ASSEMBLY-GLOVE	1	A
- 3	0513158-5	BOX ASSEMBLY-GLOVE	1	C
		ATTACHING PARTS		
- 4	S-10212-6-6	SCREW CESSNA STANDARD	4	B
- 5	S-10212-6-6	SCREW CESSNA STANDARD	5	A
- 6	S-10212-6-6	SCREW CESSNA STANDARD	6	E
- 7	NAS446-4-3	NUT TIN A1778-8Z-3	2	C
- 8	NAS448-1	NUT	5	A

- 9	A1663-012-3	CATCH-SPRING TIN	1	B
- 10	A1663-017-1	CATCH-SPRING TIN	1	C
- 11	0713009-2	CATCH-GLOVE BOX DOOR	1	A
		ATTACHING PARTS		
- 12	S-10212-6-6	SCREW CESSNA STANDARD	2	A
- 13	NAS446-2-3	NUT TIN A1181-6Z-3	2	A

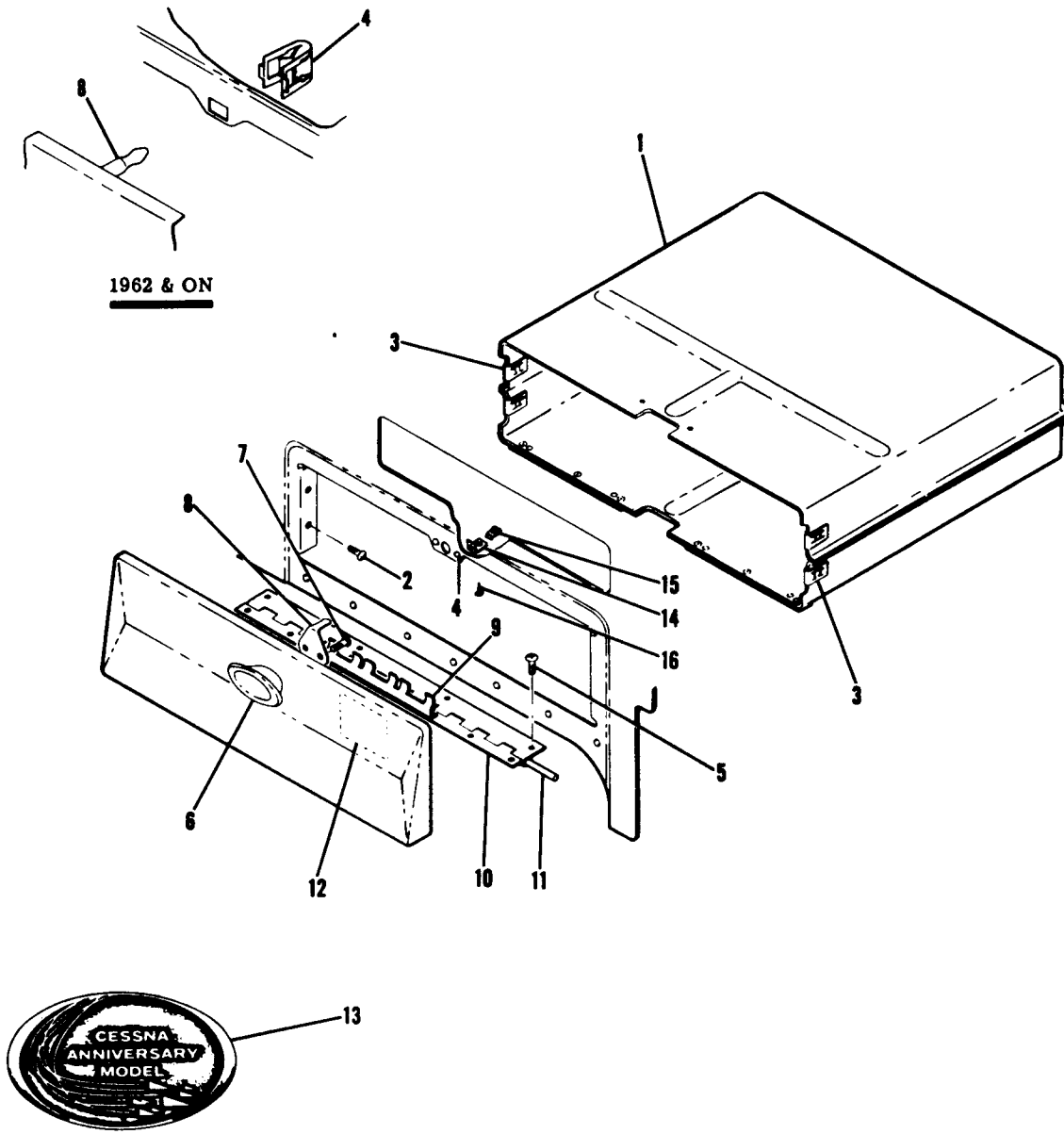
- 14	0513133-16	DOOR ASSEMBLY-GLOVE BOX	1	D
	0513133-30	DOOR ASSEMBLY-GLOVE BOX	1	E
- 15	0513040-27	DOOR ASSEMBLY-GLOVE BOX	1	A
- 16	0513158-8	DOOR ASSEMBLY-GLOVE BOX	1	C
		ATTACHING PARTS		
- 17	S-10212-6-6	SCREW CESSNA STANDARD	4	B
- 18	S-10212-6-6	SCREW CESSNA STANDARD	5	A
- 19	NAS446-2-3	NUT TIN A1181-6Z-3	5	A

- 20	0513133-9	HINGE ASSEMBLY-GLOVE BOX	1	B
- 21	AN253-2-1225	PIN-HINGE	1	B
- 22	0513004-8	HINGE HALF	1	A
- 23	AN257X2-750	HINGE HALF	1	A
- 24	AN253-2-725	PIN-HINGE	1	A
- 25	0513158-16	HINGE ASSEMBLY-GLOVE BOX	1	C
- 26	AN253-2-1025	PIN-HINGE	1	C
- 27	0411092-4	KNOB	1	D
	0713303-14	KNOB	1	E
- 28	0411092-1	KNOB	1	A
- 29	0713303-7	KNOB	1	C
		ATTACHING PARTS		
- 30	P116-499-18-495	BALL-TIN	1	E
- 31	AN515-8R5	SCREW	1	A
- 32	AN936-8A	WASHER	1	A
- 33	0713009-1	CLIP	1	A
- 34	AN515-6R6	SCREW	2	C

- 35	0513158-9	CLIP ASSEMBLY-GLOVE BOX	1	C
- 36	0411099-1	CLIP-FUSE RETAINER	1	D
	0411099-3	CLIP-FUSE RETAINER	1	E
- 37	0411099	CLIP-FUSE RETAINER	1	C
- 38	0513218-2	PLACARD-SERVICE INFORMATION	1	F
- 39	0411749-5	PLACARD-SPARE FUSES	1	A
- 40	0513218-4	PLACARD-SERVICE INFORMATION	1	G

<p>A---172 SERIAL 28000 THRU 36965 B---175 SERIAL 55001 THRU 56777 C---172 SERIAL 36966 THRU 47746 D---175 SERIAL 55001 THRU 55703 E---175 SERIAL 55704 THRU 56777 F---172 SERIAL 28000 THRU 46420 175 SERIAL 55001 THRU 55875 G---172 SERIAL 46421 THRU 47746 175 SERIAL 55876 THRU 56777</p>				

Instruments (Cont)

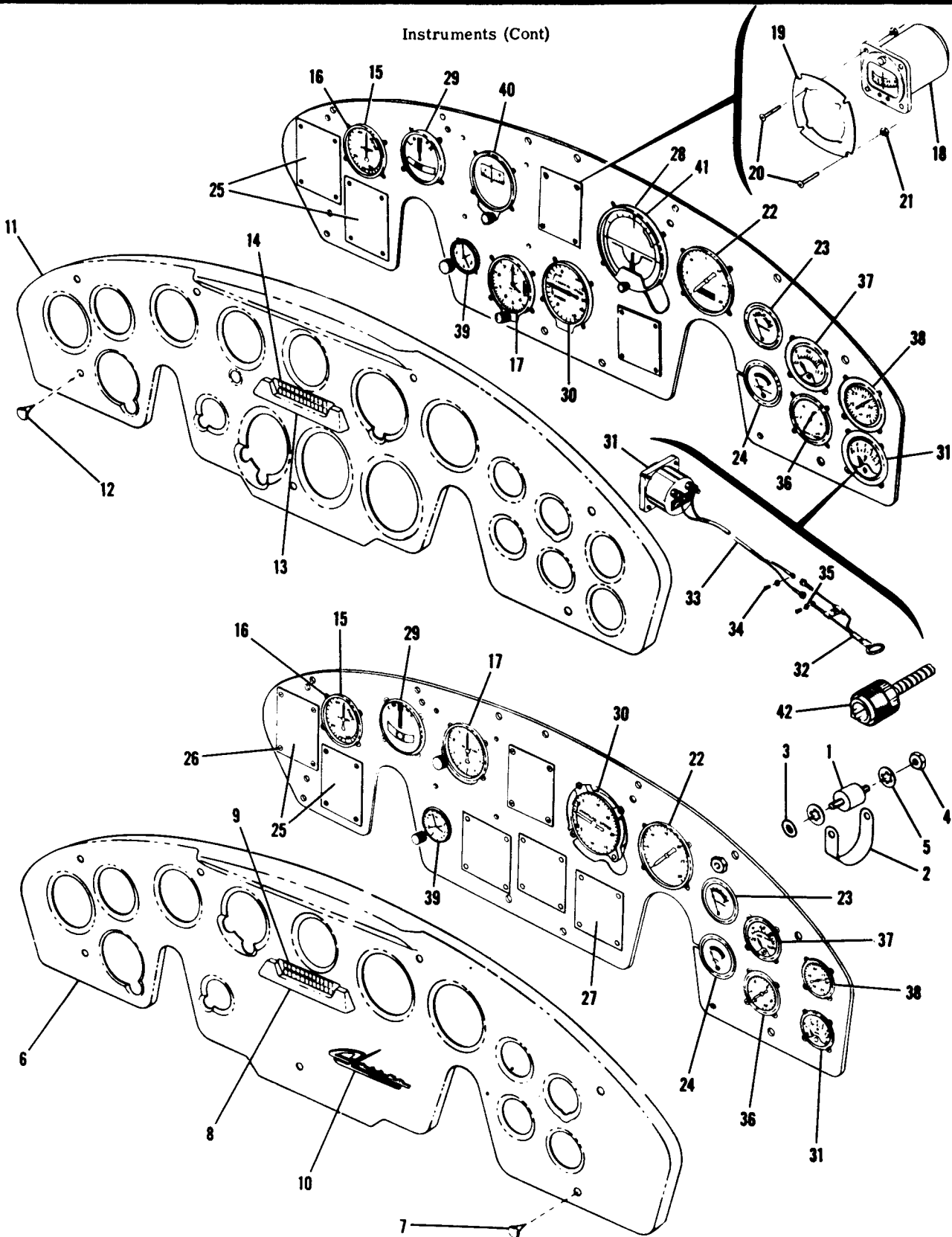


172 SERIAL 17247747 THRU 17249544
175 SERIAL 17556778 THRU 17557119

Figure 49A. Glove Box & Door Installation

FIGURE AND INDEX NO.	PART NUMBER	DESCRIPTION	UNITS PER ASSY	USABLE ON CODE
49A-		1 2 3 4 5 6 7		
- 1	0513225-1	GLOVE BOX & DOOR INSTALLATION	MP	A
- 2	S-10212-6-6	BOX ASSEMBLY-GLOVE ATTACHING PARTS	1	
- 3	NAS395-6-3	SCREW CESSNA STANDARD	4	
- 4	A1663-012-3	NUT	4	
	S-1213-1	CATCH-SPRING TIN	1	B
	0513133-39	CATCH CESSNA STANDARD	1	C
		DOOR ASSEMBLY-GLOVE BOX	1	
- 5	S-10212-6-6	ATTACHING PARTS	6	
- 6	0713303-7	SCREW CESSNA STANDARD	1	
- 7	AN515-6R6	KNOB	1	
- 8	0513133-51	ATTACHING PARTS	2	
	S-1213-3	SCREW	1	
	AN340-8	CLIP	1	
	AN936A8	STRIKER CESSNA STANDARD	1	
- 9	0411099-3	ATTACHING PARTS	1	
- 10	0513133-9	NUT	1	
- 11	AN253-2-996	WASHER	1	
- 12	0513218-4	RETAINER-FUSE	1	
- 13	0713724-1	HINGE ASSEMBLY-GLOVE BOX DOOR	1	
- 14	0511299	PIN-HINGE	1	
- 15	NAS395-1-3	PLACARD-SERVICE INFORMATION	1	
- 16	S-10212-4-5	MEDALLION-ANNIVERSARY MODEL	1	C
		BRACKET	1	C
		NUT	2	C
		SCREW CESSNA STANDARD	2	C
<p>NOTE. * WHEN ORDERING THIS PART FOR AIRCRAFT PRIOR TO 172 SERIAL 17248735 OR 175 SERIAL 17557003 ORDER ALL PARTS MARKED □.</p> <p>A---172 SERIAL 17247747 THRU 17249544 175 SERIAL 17556778 THRU 17557119 B---172 SERIAL 17247747 THRU 17248734 175 SERIAL 17556778 THRU 17557002 C---172 SERIAL 17248735 THRU 17249544 175 SERIAL 17557003 THRU 17557119</p>				

Instruments (Cont)



172 SERIAL 28000 THRU 36965

Figure 50. Shock Mounted Instrument Panel Assembly

FIGURE AND INDEX NO.	PART NUMBER	DESCRIPTION	UNITS PER ASSY	USABLE ON CODE
50-		1 2 3 4 5 6 7		
		PANEL ASSEMBLY-SHOCK MOUNTED----- ATTACHING PARTS	NP	A
- 1	0411059-1	MOUNT-SHOCK	6	
- 2	0413247	STRAP-GROUND	4	
- 3	S-355-1	SPACER CESSNA STANDARD	6	
- 4	AN340B8	NUT	12	
- 5	AN936A8	WASHER	12	
		-----*-----		
	0513004-11	PANEL-SHOCK MOUNTED INSTRUMENT-----	1	
- 6	0513004-28	COVER ASSEMBLY-SHOCK MOUNTED PANEL	1	B
	0513004-33	COVER ASSEMBLY-SHOCK MOUNTED PANEL	1	C
		ATTACHING PARTS		
- 7	49265-F-52	FASTENER UC	7	
		-----*-----		
- 8	0713028-5	RETAINER-COMPASS CARD	1	
		ATTACHING PARTS		
	AN515-6R4	SCREW	2	
		-----*-----		
- 9	0713028-8	CARD-COMPASS	1	
	0713028-3	COVER-COMPASS CARD	1	
- 10	0713213	INSIGNIA-DECORATIVE EMBLEM	1	
		ATTACHING PARTS		
	A1553-012-3	NUT-PUSH ON TIN	3	
		-----*-----		
	0513004-27	COVER	1	B
	0513004-32	COVER	1	C
- 11	0513004-26	COVER ASSEMBLY-GYRO PANEL	1	B
	0513004-35	COVER ASSEMBLY-GYRO PANEL	1	C
		ATTACHING PARTS		
- 12	49265-F-52	FASTENER UC	7	
		-----*-----		
- 13	0713028-5	RETAINER-COMPASS CARD	1	
		ATTACHING PARTS		
	AN515-6R4	SCREW	2	
		-----*-----		
- 14	0713028-8	CARD-COMPASS	1	
	0713028-3	COVER-COMPASS CARD	1	
	0513004-10	COVER	1	B
	0513004-34	COVER	1	C
- 15	0411086-15	INDICATOR-AIRSPPEED	1	
	S-1323N1	INDICATOR-AIRSPPEED WHEN EXHAUSTED USE S-1323N1	1	
		REMANUFACTURED	1	
		ATTACHING PARTS		
- 16	AN515B6R16	SCREW	4	
	AN340B6	NUT	4	
	AN936A6B	WASHER	4	
		-----*-----		
- 17	0411007-7	ALTIMETER	1	
	S-1314N1	ALTIMETER 20000 FT WHEN EXHAUSTED USE S-1314N1	1	
	0411007-10	ALTIMETER-SENSITIVE	1	
	S-1313N1	ALTIMETER 35000 FT WHEN EXHAUSTED USE S-1313N1	1	
		REMANUFACTURED	1	
		ATTACHING PARTS		
	AN515B6R16	SCREW	4	
	AN340B6	NUT	4	
	AN936A6B	WASHER	4	
		-----*-----		
- 18	0411008-2	COMPASS	1	B
		ATTACHING PARTS		
- 19	0411897-3	ADAPTER	1	B
- 20	AN515B6R12	SCREW	8	B
- 21	AN340B6	NUT	8	B
		-----*-----		
- 22	0411087-22	TACHOMETER	1	B
	0411087-28	TACHOMETER	2	C
		ATTACHING PARTS		
	AN515B6R8	SCREW	4	
		-----*-----		
- 23	0411016-2	GAGE-OIL PRESSURE DIRECT PRESSURE	1	
- 24	0411017-3	GAGE-OIL TEMPERATURE	1	
- 25	0713200-4	COVER	AR	C
		ATTACHING PARTS		
- 26	99608	FASTENER UC	AR	C
		-----*-----		

CONTINUED ON PAGE 158

S-PART NOS. APPEARING ON THIS PAGE ARE CESSNA STANDARDS.

FIGURE AND INDEX NO.	PART NUMBER	DESCRIPTION	UNITS PER ASSY							USABLE ON CODE	
			1	2	3	4	5	6	7		
50- 27	0713200-7	COVER								AR	
	99608	ATTACHING PARTS								AR	
- 28	0713200-5	FASTENER UC								1	
	99608	COVER-GYRO								4	
- 29	0411009-5	ATTACHING PARTS								1	
	AN515B6R12	INDICATOR-TURN & BANK								4	
	AN340B6	ATTACHING PARTS								4	
	AN936A6B	SCREW								4	
- 30	0411069-4	NUT								1	
	S-1304N2	WASHER								1	
	AN515B6R16	INDICATOR-VERTICAL SPEED								4	
	AN340B6	ATTACHING PARTS								4	
	AN936A6B	SCREW								4	
- 31	0511068	NUT								1	
	AN340B6	WASHER								1	
- 32	0311018-11	CYLINDER HEAD TEMPERATURE GAGE INSTALLATION								1	
- 33	0311018-10	GAGE-CYLINDER HEAD TEMPERATURE								1	
- 34	AN515B6R5	ATTACHING PARTS								4	
- 35	AN936A6B	NUT								2	
- 36	0311057-1	THERMOCOUPLE								2	
	S-1300N1	LEAD								2	
- 37	0311020-8	ATTACHING PARTS								1	
- 38	0413319-3	GAGE-CARBURETOR AIR TEMPERATURE								1	
- 39	0411010-4	ATTACHING PARTS								4	
- 40	0311056-1	SCREW								1	B
	0311056-4	GAGE-MANIFOLD PRESSURE								1	C
	S-1316N1	ATTACHING PARTS								1	C
	0311056-5	SCREW								1	C
	AN520B10R12	ATTACHING PARTS								4	
- 41	0311058-1	GYRO-DIRECTIONAL								1	B
	0311058-4	GYRO-DIRECTIONAL								1	C
	0311058-5	GYRO-DIRECTIONAL								1	C
	S-1309N1	EXHAUSTED USE S-1309N1								1	C
	AN520B10R16	GYRO-DIRECTIONAL								4	
- 42	0450017-10	ATTACHING PARTS								1	
		SHAFT-TACHOMETER								1	

A---172 SERIAL 28000 THRU 36965
 B---172 SERIAL 28000 THRU 29174
 C---172 SERIAL 29175 THRU 36965

NOTE. FOR ACCESSORY KIT LISTINGS REFER TO PAGE 364

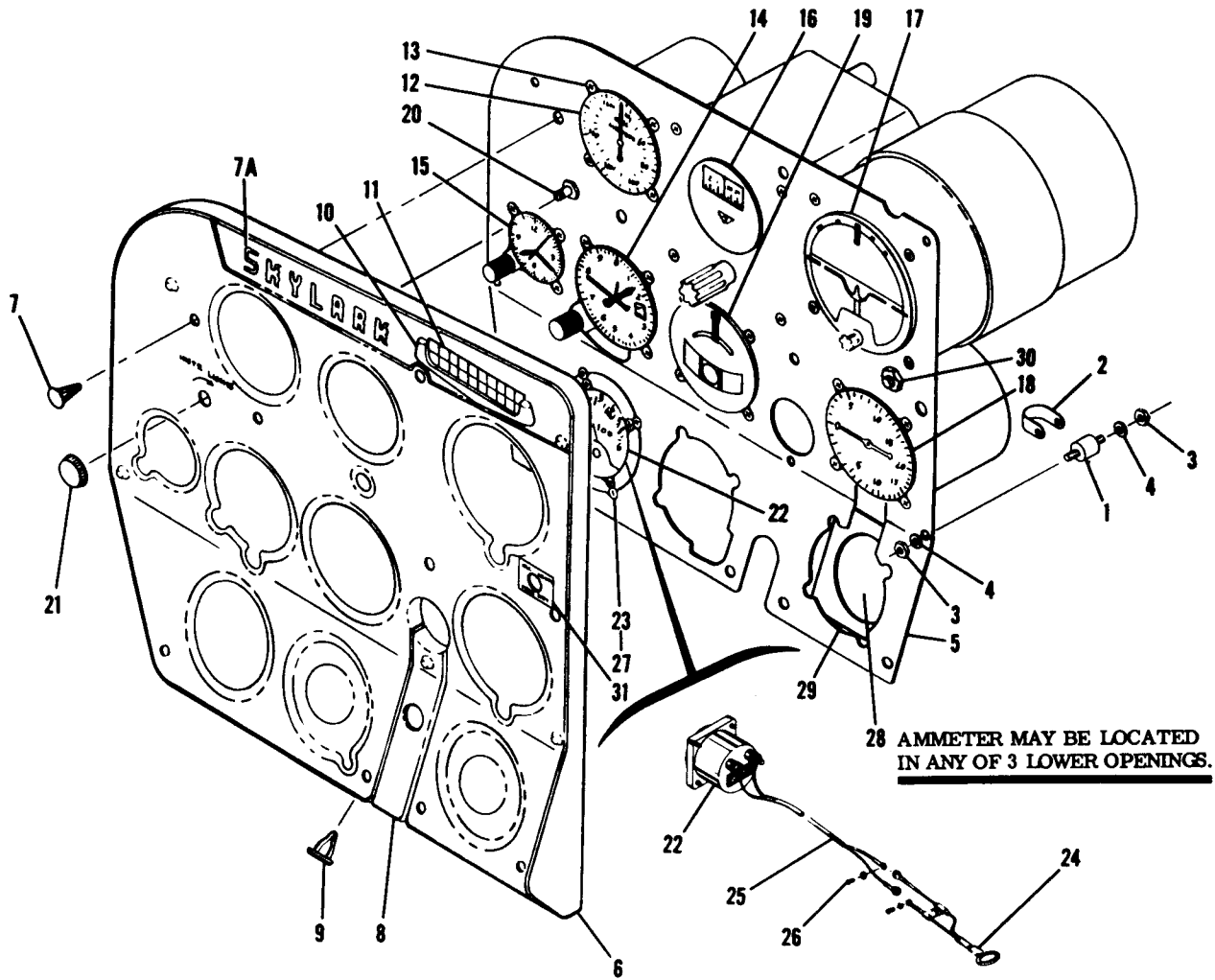
S-PART NOS. APPEARING ON THIS PAGE ARE CESSNA STANDARDS.



FIGURE AND INDEX NO.	PART NUMBER	DESCRIPTION	UNITS PER ASSY	USABLE ON CODE		
					1	2
51-		PANEL ASSEMBLY-SHOCK MOUNTED INSTRUMENT ATTACHING PARTS	NP	H		
- 1	0411059-1	MOUNT-SHOCK	5			
- 2	0413247	STRAP-GROUND	1			
- 3	AN340-B8	NUT	10			
- 4	AN936-A8	WASHER	10			
- 5	0513133-2	PANEL-SHOCK MOUNTED INSTRUMENT	1			
- 6	0513133-32	COVER ASSEMBLY-SHOCK MOUNTED PANEL	1	M		
	0513133-47-279	COVER ASSEMBLY-SHOCK MOUNTED PANEL	1	R		
	0513133-59-279 *	COVER ASSEMBLY-SHOCK MOUNTED PANEL	1	S		
	0513133-45-279	COVER ASSEMBLY-SHOCK MOUNTED PANEL	1	L		
	0513133-58-279 *	COVER ASSEMBLY-SHOCK MOUNTED PANEL	1	N		
	0513133-14	COVER ASSEMBLY-SHOCK MOUNTED PANEL	1	B		
	0513133-27 *	COVER ASSEMBLY-SHOCK MOUNTED PANEL	1	U		
- 7	49265F-52	ATTACHING PARTS FASTENER UC	9			
- 7A	0513220-1	LETTERING-SKYLARK	1	D		
	0513220-10	LETTERING-SKYHAWK	1	J		
	0513220-2	INITIAL-S	1	K		
	0513220-3	INITIAL-K	1	K		
	0513220-4	INITIAL-Y	1	K		
	0513220-5	INITIAL-L	1	D		
	0513220-6	INITIAL-A	1	K		
	0513220-7	INITIAL-R	1	D		
	0513220-8	INITIAL-H	1	J		
	0513220-9	INITIAL-W	1	J		
- 8	0513133-15	FILLER-COVER ASSEMBLY	1	B		
	0513133-24	FILLER-COVER ASSEMBLY	1	C		
- 9	49265F-52	ATTACHING PARTS FASTENER UC	2			
- 10	0713064-2	RETAINER-COMPASS CARD	1			
	A109-014-3	ATTACHING PARTS NUT TIN	2			
- 11	0713028-8	CARD-COMPASS	1			
	0713028-3	COVER-COMPASS CARD	1			
	0513133-18	COVER	1			
- 12	0411086-18	INDICATOR-AIRSPD	1	A		
	0411086-20	INDICATOR-AIRSPD	1	A		
	0411086-15	INDICATOR-AIRSPD	1	E		
	S-1323N1	INDICATOR-AIRSPD	1	E		
	0411086-25	INDICATOR-AIRSPD	1	N		
	S-1324N1	INDICATOR-AIRSPD	1	N		
- 13	AN515B6R16	ATTACHING PARTS SCREW	4			
	AN340B6	NUT	4			
	MS20365B632C	NUT ALTERNATE	4			
	AN936A6B	WASHER	4			

CONTINUED ON PAGES 160, 161, & 162

Instruments (Cont)



172 SERIAL 17247747 THRU 17249544
175 SERIAL 55001 THRU 17557119

Figure 51. Shock Mounted Instrument Panel Assembly

FIGURE AND INDEX NO.	PART NUMBER	DESCRIPTION	UNITS PER ASSY	USABLE ON CODE
		1 2 3 4 5 6 7		
51- 14	0411007-7	ALTIMETER WHEN EXHAUSTED USE S-1314N1 -----	1	
	S-1314N1	ALTIMETER 20000 FT REMANUFACTURED -----	1	
	0411007-8	ALTIMETER WHEN EXHAUSTED USE S-1313N1 -----	1	D
	S-1313N1	ALTIMETER 30000 FT REMANUFACTURED -----	1	D
	0411007-10	ALTIMETER ALTERNATE WHEN EXHAUSTED USE S-1313N1-----	1	D
		ATTACHING PARTS		
		SCREW -----	4	
		NUT -----	4	
		WASHER-----	4	
		-----*		
- 15	0411010-1	CLOCK -----	1	
	0411010-2	CLOCK ALTERNATE -----	1	
	0411010-3	CLOCK ALTERNATE -----	1	
	0411010-4	CLOCK ALTERNATE -----	1	
	0713131-1	CLOCK-ELECTRIC WHEN EXHAUSTED USE S-1317N1 -----	1	V
	S-1317N1	CLOCK-ELECTRIC -----	1	T
		ATTACHING PARTS		
		SCREW -----	2	
		-----*		

- 16	0311056-4	GYRO-DIRECTIONAL-----REMANUFACTURED-----WHEN -----	1	
		EXHAUSTED USE S-1316N1		
	S-1316N1	GYRO-DIRECTIONAL-----REMANUFACTURED-----	1	
	0311056-5	GYRO-DIRECTIONAL-----NEW -----	1	
	S-1327N1	INDICATOR-DIRECTIONAL GYRO-AZIMUTH TYPE 34B USED	1	T
		WITH VACUUM WARNING LIGHT INSTALLATION		
		ATTACHING PARTS		
		SCREW -----	4	
		SCREW -----	4	T
		-----*		
- 17	0311058-4	GYRO-HORIZON NEW -----	1	
	0311058-5	GYRO-HORIZON REMANUFACTURED WHEN -----	1	
		EXHAUSTED USE S-1309N1		
	S-1309N1	GYRO-HORIZON REMANUFACTURED -----	1	
	S-1326N1	INDICATOR-GYRO HORIZON-TYPE 34B WITH VACCUUM WARNING LIGHTS	1	T
		ATTACHING PARTS		
		SCREW -----	4	
		SCREW -----	4	T
		-----*		

- 18	330R	BULB -----	2	T
	0411069-3	INDICATOR-VERTICAL SPEED WHEN EXHAUSTED USE S-1304N1	1	
	S-1304N1	INDICATOR-VERTICAL SPEED REMANUFACTURED -----	1	
	S-1304N2	INDICATOR-VERTICAL SPEED ALTERNATE FOR S-1304N1 -----	1	
		ATTACHING PARTS		
		SCREW -----	4	
		NUT -----	4	
		WASHER-----	4	
		-----*		

- 19	0411009-6	INDICATOR-TURN & BANK-----WHEN EXHAUSTED USE S-1302N1 -----	1	
	S-1302N1	INDICATOR-TURN & BANK-----12V REMANUFACTURED -----	1	
		ATTACHING PARTS		
		SCREW -----	4	
		NUT -----	4	
		WASHER-----	4	
		-----*		

- 20	0413126-10	RHEOSTAT ASSEMBLY -----	1	
		KNOB -----	1	
- 21	0413126-3	CYLINDER HEAD TEMPERATURE GAGE INSTALLATION -----	1	
		GAGE-CYLINDER HEAD TEMPERATURE -----	1	E
- 22	0511068	GAGE-CYLINDER HEAD TEMPERATURE -----	1	F
	0511068-4	GAGE-CYLINDER HEAD TEMPERATURE WHEN -----	1	
		EXHAUSTED USE S-1307N1		
	S-1307N1	GAGE-CYLINDER HEAD TEMPERATURE REMANUFACTURED -----	1	F
	ATTACHING PARTS			
- 23	AN515B6R12	SCREW -----	4	
	AN515B6R6	SCREW -----	4	
	MS20365-632C	NUT -----	8	
	0411897-3	COVER -----	1	
		-----*		

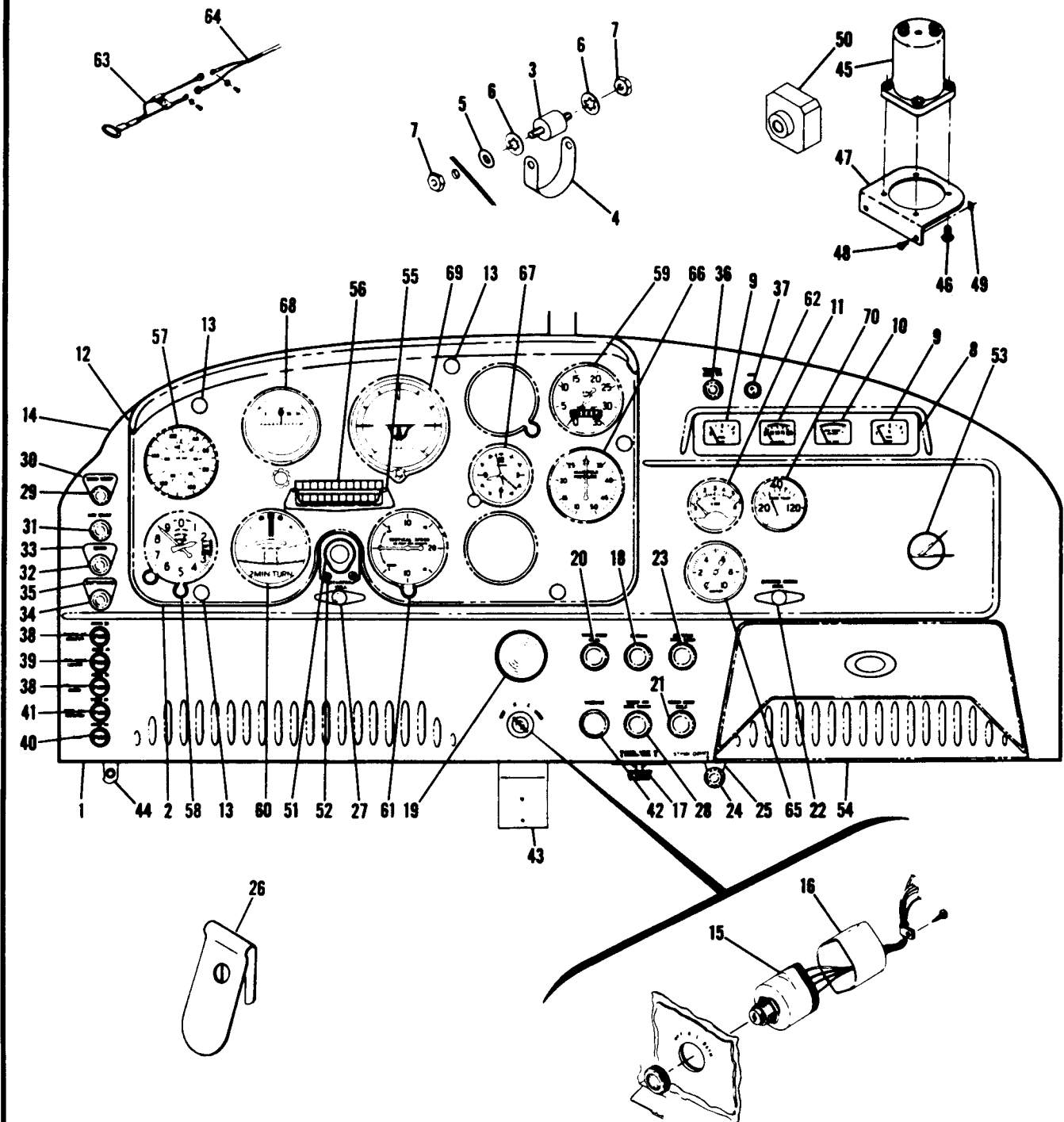
CONTINUED ON PAGE 162

S-PART NOS. APPEARING ON THIS PAGE ARE CESSNA STANDARDS.

FIGURE AND INDEX NO.	PART NUMBER	DESCRIPTION	UNITS PER ASSY	USABLE ON CODE
51- 24	0311018-9	THERMOCOUPLE -----	1	
	0311018-11	THERMOCOUPLE ALTERNATE -----	1	
- 25	0311018-12	LEAD-----	1	
		ATTACHING PARTS		
- 26	AN515B6-5	SCREW -----	2	
	0550100-8	BRACKET -----	1	
	0550222-2	LUG -----	1	X
	S-1021Z-6-6	SCREW CESSNA STANDARD -----	1	
	S-1021Z-8-8	SCREW CESSNA STANDARD -----	1	X
	A2981A-6-27	CLAMP TIN -----	1	
		-----*		
- 27	S-292-12018	SLEEVING CESSNA STANDARD -----	1	
	0750029-1	GAGE CARBURETOR AIR TEMPERATURE WHEN EXHAUSTED-----	1	P
		USE S-1311N1		
	S-1311N1	GAGE-CARBURETOR AIR TEMPERATURE -----	1	T
		ATTACHING PARTS		
	AN515B6R12	SCREW -----	4	
	AN340B6	NUT -----	4	
	0411897-3	ADAPTER PLATE -----	1	
	AN515B6R12	SCREW -----	4	
	AN936A6B	WASHER-----	4	
	AN340B6	NUT -----	4	
		-----*		
- 28	S-1319-1	AMMETER CESSNA STANDARD -----	1	T
- 29	0700036-2	PLATE-ADAPTER -----	1	T
		ATTACHING PARTS		
	AN515-6R6	SCREW -----	4	T
	MS20365-632C	NUT -----	4	T
		-----*		
- 30	S-1284-1	SWITCH-PUSH BUTTON VACUUM PRESS TO TEST -----	1	T
- 31	0713705-4 **	PLACARD-VACUUM LIGHTS-----PRESS TO TEST -----	1	T
<p>A---175 SERIAL 55001 THRU 17557002 B---175 SERIAL 55001 THRU 55703 C---175 SERIAL 55704 THRU 17557119 172 SERIAL 17247747 THRU 17249544 D---175 SKYLARK SERIAL 56239 THRU 17557119 E---175 SERIAL 55001 THRU 56238 F---172 SERIAL 17247747 THRU 17249544 175 SERIAL 56239 THRU 17557002 G---172 SERIAL 17247747 THRU 17249544 H---175 SERIAL 55001 THRU 17557119 172 SERIAL 17247747 THRU 17249544 J---172 SKYHAWK SERIAL 17247747 THRU 17249544 K---172 SKYHAWK SERIAL 17247747 THRU 17249544 175 SKYLARK SERIAL 56239 THRU 17557119 L---175 SKYLARK SERIAL 17556778 THRU 17557002 M---175 SKYLARK SERIAL 56239 THRU 56777 N---175 SERIAL 17557003 THRU 17557119 O---172 SERIAL 17247747 THRU 17248266 175 SERIAL 56239 THRU 17556967 P---172 SERIAL 17247747 THRU 17248734 175 SERIAL 56239 THRU 17557002 R---172 SERIAL 17247747 THRU 17248734 S---172 SKYHAWK SERIAL 17248735 THRU 17249544 T---172 SERIAL 17248735 THRU 17249544 175 SERIAL 17557003 THRU 17557119 U---172 SERIAL 17247747 THRU 17249544 175 SERIAL 55704 THRU 17557002 V---172 SERIAL 17247747 THRU 17248734 175 SERIAL 17556778 THRU 17557002 W---175 SERIAL 56239 THRU 17557002 X---172 SERIAL 17247747 THRU 17249544</p> <p>NOTE. FOR ACCESSORY KIT LISTINGS REFER TO PAGE 364</p> <p>NOTE. *WHEN ORDERING COVER PANEL FOR AIRCRAFT EQUIPPED WITH VACUUM TEST SWITCH ALSO ORDER PART MARKED **.</p> <p>S-PART NOS. APPEARING ON THIS PAGE ARE CESSNA STANDARDS.</p>				

This page intentionally left blank.

Instruments (Cont)



172 SERIAL 36966 THRU 47746

Figure 51A. Instrument Panel Equipment Installation

FIGURE AND INDEX NO.	PART NUMBER	DESCRIPTION	UNITS PER ASSY	USABLE ON CODE
51A-		EQUIPMENT INSTALLATION AND ASSEMBLY-INSTRUMENT PANEL-----	NP	A
- 1	0513158-1	PANEL ASSEMBLY-STATIONARY-----	1	
	0513158-3	STIFFENER-----	2	
	A1663-017-1	CATCH-GLOVE BOX DOOR TIN-----	1	
- 2	0513158-4	PANEL-SHOCK MOUNTED INSTRUMENT-----	1	
		ATTACHING PARTS-----		
- 3	0411059-1	MOUNT-SHOCK-----	6	
- 4	0413247	STRAP GROUND-----	2	
- 5	S-355-1	SPACER-----CESSNA STANDARD-----	6	
- 6	AN936A8	WASHER-----	12	
- 7	AN340B8	NUT-----	12	
		-----*-----		
- 8	0513144-6	PANEL ASSEMBLY-----	1	
		ATTACHING PARTS-----		
	AN51586R12	SCREW-----	2	
	AN936A6B	WASHER-----	2	
	AN340B6	NUT-----	2	
		-----*-----		
	0513144-4	CASE-----	1	
- 9	0713062-6	GAGE-FUEL-----	2	
- 10	0513144-7	GAGE-OIL TEMPERATURE-----	1	
- 11	0513144-8	GAGE-OIL PRESSURE DIRECT PRESSURE-----	1	
- 12	0513158-13	PANEL-SHOCK FALSE-----	1	
		ATTACHING PARTS-----		
- 13	49265-F-52	FASTENER UC-----	5	
		-----*-----		
- 14	0513158-12-156	PANEL STATIONARY FALSE-----	1	
- 15	0311038-2	SWITCH-IGNITION-----	1	
- 16	0311777	SHIELD ASSEMBLY-----	1	
- 17	0413126-10	RHEOSTAT ASSEMBLY-----	1	
	0413126-3	KNOB-----	1	
- 18	0311538-10	PRIMER ASSEMBLY-ENGINE-----	1	
	S-1240-5	KNOB-----	1	
- 19	S-1222-2	CONTROL-THROTTLE-----CESSNA STANDARD	1	
- 20	0713302-5	CONTROL-CARBURETOR HEAT REF 0513159-1-----	1	
- 21	0713302-5	CONTROL-CABIN HEAT REF 0513159-2-----	1	
- 22	0513142-14	CONTROL-PARKING BRAKE-----REF 0513142-10	1	
- 23	0713302-7	CONTROL-CARBURETOR MIXTURE-----REF 0513159-4	1	
- 24	0713302-7	CONTROL-STRAINER DRAIN REF 0513159-12-----	1	
- 25	0756001-4	SUPPORT-STRAINER DRAIN-----	1	
- 26	0513173-1	CONTROL LOCK-MIXTURE-----	1	B
- 27	0513142-14	CONTROL-STARTER REF 0513142-8-----	1	B
- 28	0713302-6	CONTROL-CABIN AIR REF 0513159-3-----	1	
- 29	0713035	SWITCH ASSEMBLY-LANDING LIGHT-----	1	
	0713303-2	KNOB-LANDING LIGHT SWITCH-----	1	
- 30	0513163-2	PLACARD-LANDING LIGHT-----	1	
- 31	0713026-9	SWITCH ASSEMBLY-NAVIGATION LIGHT USE ONLY WITH FLASHER-----	1	
	0713303-2	KNOB-NAVIGATION LIGHT SWITCH-----	1	
- 32	0513215-1	CIRCUIT BREAKER ASSEMBLY-ROTATING BEACON-----	1	
- 33	0513163-4	PLACARD-ROTATING BEACON-----	1	
- 34	0511063	SWITCH ASSEMBLY-OIL DILUTION-----	1	
- 35	0513163-3	PLACARD-OIL DILUTION-----	1	
- 36	0713026-5	SWITCH ASSEMBLY-MASTER-----	1	
- 36	0713303-2	KNOB-MASTER SWITCH-----	1	
- 37	0513051-8	INDICATOR LIGHT-GENERATOR-----	1	
		ATTACHING PARTS-----		
	0713072-1	WASHER-----	1	
		-----*-----		
	0411023-1	RETAINER-FUSE-----	5	
- 38	0411023-3	FUSE-15 AMP-----	2	
- 39	0411023-2	FUSE-10 AMP-----	1	E
	0411023-2	FUSE-10 AMP-----	2	E
- 40	0411023-6	FUSE-20 AMP-----	1	F
- 41	0411023-4	FUSE-25 AMP-----	1	

NOTE. FOR ACCESSORY KIT LISTINGS REFER TO PAGE 364

CONTINUED ON PAGES 166 & 167

FIGURE AND INDEX NO.	PART NUMBER	DESCRIPTION							UNITS PER ASSY	USABLE ON CODE
		1	2	3	4	5	6	7		
51A- 42	0513039-7	*	LIGHTER ASSEMBLY-CIGAR	CUNO	-----	-----	-----	-----	1	
	34	*	TRIM CUP	CUNO	-----	-----	-----	-----	1	
	33	*	PLUG-HEATING	CUNO	-----	-----	-----	-----	1	
- 43	32	*	SOCKET ASSEMBLY	CUNO	-----	-----	-----	-----	1	
	S-1240-6		KNOB-HEATING ELEMENT	-----	-----	-----	-----	-----	1	
	0713200-19		BRACKET-MICROPHONE	-----	-----	-----	-----	-----	1	
- 44	S-10212-6-8		ATTACHING PARTS	-----	-----	-----	-----	-----	2	
	NAS446-2-3		SCREW CESSNA STANDARD	-----	-----	-----	-----	-----	2	
			NUT	-----	-----	-----	-----	-----	2	
- 45	S-1102-1		JACK-MICROPHONE	CESSNA STANDARD	-----	-----	-----	-----	1	
	0756001-4		BRACKET-EARPHONE JACK	-----	-----	-----	-----	-----	1	
	S-1103-1		JACK-HEADPHONE	CESSNA STANDARD	-----	-----	-----	-----	1	
- 46	0511062-10		INDICATOR-STALL WARMING	-----	-----	-----	-----	-----	1	
			ATTACHING PARTS	-----	-----	-----	-----	-----	4	
	AN515B6R12		SCREW	-----	-----	-----	-----	-----	4	
- 47	0313313-3		BRACKET	-----	-----	-----	-----	-----	2	
			ATTACHING PARTS	-----	-----	-----	-----	-----	2	
	S-10212-8-8		SCREW CESSNA STANDARD	-----	-----	-----	-----	-----	2	
- 48	NAS446-4-3		NUT	TIN A1778-8Z-3	-----	-----	-----	-----	2	
			-----	-----	-----	-----	-----	-----	1	
	CA-2		CIRCUIT BREAKER	SPT	-----	-----	-----	-----	1	
- 49	PA-2		CIRCUIT BREAKER	SPT	ALTERNATE	-----	-----	-----	1	
			ATTACHING PARTS	-----	-----	-----	-----	-----	2	
	AN515B6R12		SCREW	-----	-----	-----	-----	-----	2	
- 50	AN936A6B		WASHER	-----	-----	-----	-----	-----	2	
	AN340B6		NUT	-----	-----	-----	-----	-----	2	
			-----	-----	-----	-----	-----	-----	1	
- 51	0513146-12		COLLAR	-----	-----	-----	-----	-----	2	
	0513056-1		GROMMET	-----	-----	-----	-----	-----	2	
	0513056-1		GROMMET	-----	-----	-----	-----	-----	2	
- 52			ATTACHING PARTS	-----	-----	-----	-----	-----	4	
	AN515-6R8		SCREW	-----	-----	-----	-----	-----	4	
	MS20365-632C		NUT	-----	-----	-----	-----	-----	4	
- 53	U500052-1		NAMEPLATE	-----	-----	-----	-----	-----	1	
			GLOVE BOX INSTALLATION	SEE FIGURE 49	-----	-----	-----	-----	1	
	U713064-2		RETAINER-COMPASS CARD	-----	-----	-----	-----	-----	1	
- 54			ATTACHING PARTS	-----	-----	-----	-----	-----	2	
	NAS428-5-3		NUT	TIN A109-014-3	-----	-----	-----	-----	2	
			-----	-----	-----	-----	-----	-----	1	
- 55	0713028-8		CARD-COMPASS	-----	-----	-----	-----	-----	1	
	0713028-3		COVER-COMPASS CARD	-----	-----	-----	-----	-----	1	
	0411086-15		INDICATOR-AIRSPD	WHEN EXHAUSTED USE S-1323N1	-----	-----	-----	-----	1	
- 56	S-1323N1		INDICATOR-AIRSPD	REMANUFACTURED	-----	-----	-----	-----	1	
	0411086-22		INDICATOR-AIRSPD	ALTERNATE	SEE FIGURE 76	-----	-----	-----	1	
			ATTACHING PARTS	-----	-----	-----	-----	-----	4	
- 57	AN515B6R16		SCREW	-----	-----	-----	-----	-----	4	
	AN936A6B		WASHER	-----	-----	-----	-----	-----	4	
	AN340B6		NUT	-----	-----	-----	-----	-----	4	
- 58			-----	-----	-----	-----	-----	-----	1	
	U411007-7		ALTIMETER	WHEN EXHAUSTED USE S-1314N1	-----	-----	-----	-----	1	
	S-1314N1		ALTIMETER	20000 FT	REMANUFACTURED	-----	-----	-----	1	
- 59	U411007-8		ALTIMETER-SENSITIVE	WHEN EXHAUSTED USE S-1313N1	-----	-----	-----	-----	1	
	S-1313N1		ALTIMETER	35000 FT	REMANUFACTURED	-----	-----	-----	1	
	U411007-10		ALTIMETER-SENSITIVE	ALTERNATE	WHEN EXHAUSTED	-----	-----	-----	1	
- 59			USE S-1313N1	-----	-----	-----	-----	-----	4	
	AN515B6R16		ATTACHING PARTS	-----	-----	-----	-----	-----	4	
	AN936A6B		SCREW	-----	-----	-----	-----	-----	4	
- 59	AN340B6		WASHER	-----	-----	-----	-----	-----	4	
			NUT	-----	-----	-----	-----	-----	4	
			-----	-----	-----	-----	-----	-----	1	D
- 59	0511035-1		TACHOMETER	-----	-----	-----	-----	-----	1	D
	U411087-28		TACHOMETER	ALTERNATE	-----	-----	-----	-----	1	D
	U411087-28		TACHOMETER	-----	-----	-----	-----	-----	1	C
- 59			ATTACHING PARTS	-----	-----	-----	-----	-----	4	
	AN515B6R8		SCREW	-----	-----	-----	-----	-----	4	
			-----	-----	-----	-----	-----	-----	1	C
- 59	U450017-10		SHAFT-TACHOMETER	-----	-----	-----	-----	-----	1	D
	U450017-19		SHAFT-TACHOMETER	-----	-----	-----	-----	-----	1	D
	U450017-10		SHAFT-TACHOMETER	ALTERNATE	-----	-----	-----	-----	1	D

S-PART NOS. APPEARING ON THIS PAGE ARE CESSNA STANDARDS.

CONTINUED ON PAGE 167

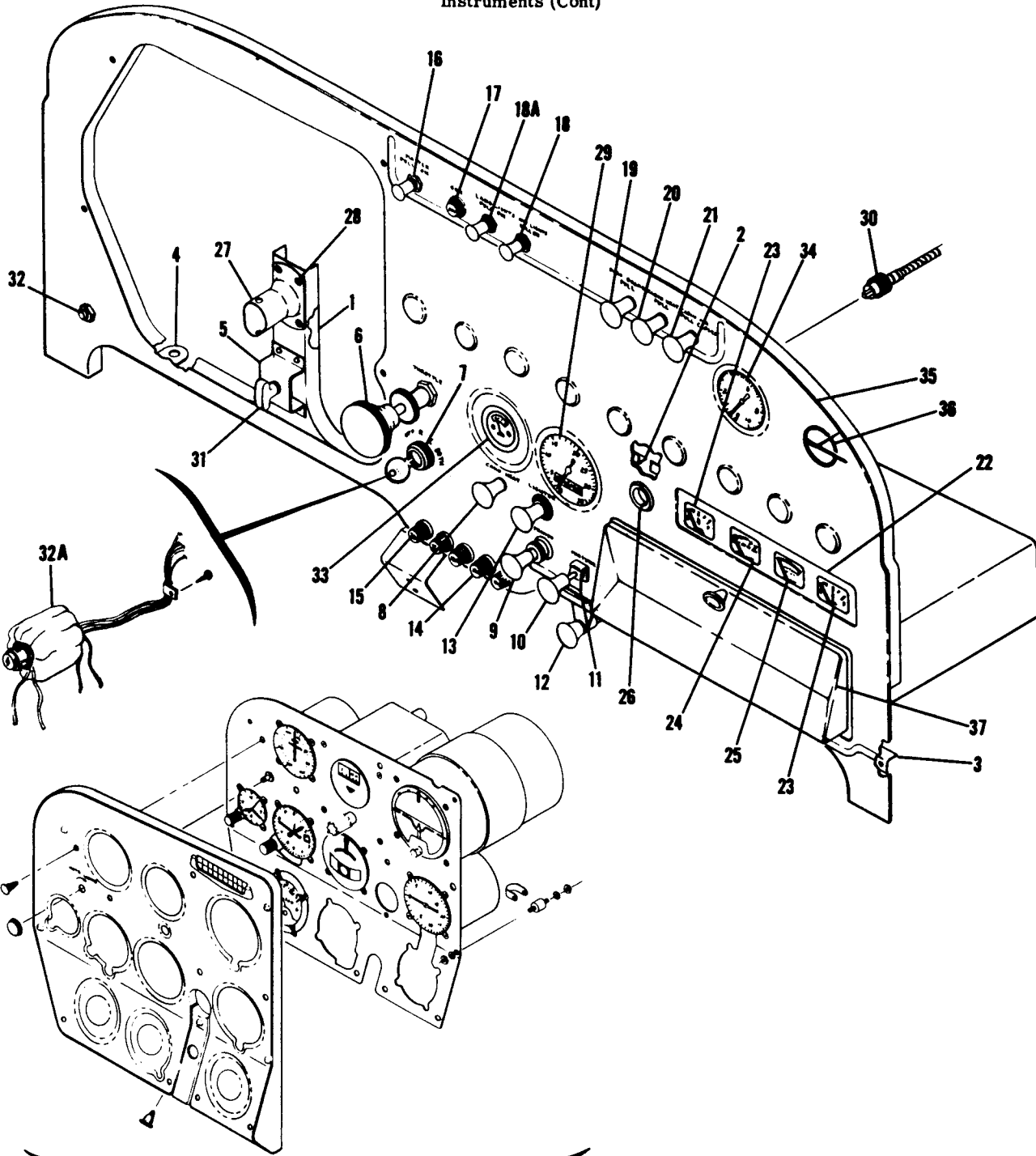
FIGURE AND INDEX NO.	PART NUMBER	DESCRIPTION	UNITS PER ASSY	USABLE ON CODE
51A- 60	U411009-6	INDICATOR-TURN & BANK-----WHEN EXHAUSTED USE S-1302N1 ----	1	
	S-1302N1	INDICATOR-TURN & BANK-----12V REMANUFACTURED -----	1	
	AN515B6R12	ATTACHING PARTS		
	AN936A6B	SCREW -----	4	
	AN340B6	WASHER-----	4	
		NUT -----	4	
		-----*		
		VERTICAL SPEED INSTALLATION -----	1	
		INDICATOR-VERTICAL SPEED---- WHEN EXHAUSTED USE S-1304N1	1	
		INDICATOR-VERTICAL SPEED---- REMANUFACTURED-----	1	
		INDICATOR-VERTICAL SPEED ALTERNATE FOR S-1304N1 ----	1	
		ATTACHING PARTS		
		SCREW -----	4	
		WASHER -----	4	
		NUT -----	4	
	-----*			
	STATIC LINE -----	1		
	TEE -----	1		
	ELBOW -----	1		
	CYLINDER HEAD TEMPERATURE GAGE INSTALLATION -----	1		
	GAGE-CYLINDER HEAD TEMPERATURE -----	1		
	GAGE-CYLINDER HEAD TEMP ----WHEN EXHAUSTED USE S-1307N1	1	G	
	GAGE-CYLINDER HEAD TEMPERATURE REMANUFACTURED ----	1	B	
	ATTACHING PARTS			
	NUT -----	4		
	-----*			
	THERMOCOUPLE -----	1		
	LEAD-----	1		
	GAGE-SUCTION -----	1		
	ATTACHING PARTS			
	SCREW -----	4		
	-----*			
	GAGE-MANIFOLD PRESSURE WHEN EXHAUSTED USE S-1301N2 ----	1		
	GAGE-MANIFOLD PRESSURE REMANUFACTURED -----	1		
	ATTACHING PARTS			
	SCREW -----	4		
	WASHER-----	4		
	NUT -----	4		
	-----*			
	CLOCK -----	1		
	CLOCK ALTERNATE -----	1		
	ATTACHING PARTS			
	SCREW -----	4		
	-----*			
	GYRO-DIRECTIONAL-----REMANUFACTURED-----WHEN ----	1		
	EXHAUSTED USE S-1316N1			
	GYRO-DIRECTIONAL-----REMANUFACTURED-----	1		
	GYRO-DIRECTIONAL-----NEW -----	1		
	ATTACHING PARTS			
	SCREW -----	4		
	-----*			
	GYRO-HORIZON NEW -----	1		
	GYRO-HORIZON REMANUFACTURED WHEN-----	1		
	EXHAUSTED USE S-1309N1			
	GYRO-HORIZON REMANUFACTURED -----	1		
	ATTACHING PARTS			
	SCREW -----	4		
	-----*			
	GAGE-CARBURETOR AIR TEMPERATURE -----	1		
	ATTACHING PARTS			
	SCREW -----	4		
	-----*			
	AMMETER WHEN EXHAUSTED USE S-1319-1 -----	1		
	AMMETER 30 AMP -----	1		

NOTE. * CASCO PARTS ARE NO LONGER AVAILABLE. FOR REPLACEMENT ORDER COMPLETE CUNO ASSEMBLY PART NO. 0513039-7.

- A---172 SERIAL 36966 THRU 47746
- B---172 SERIAL 46755 THRU 47746
- C---172 SERIAL 28000 THRU 47104
- D---172 SERIAL 47105 THRU 47746
- E---172 SERIAL 36966 THRU 47169
- F---172 SERIAL 47170 THRU 47746
- G---172 SERIAL 36966 THRU 46754

NOTE. FOR ACCESSORY KIT LISTINGS REFER TO PAGE 364
S-PART NOS. APPEARING ON THIS PAGE ARE CESSNA STANDARDS.

Instruments (Cont)



SEE FIGURE 51 FOR BREAKDOWN

172 SERIAL 17247747 THRU 17249544

Figure 51B. Stationary Instrument Panel Equipment Installation

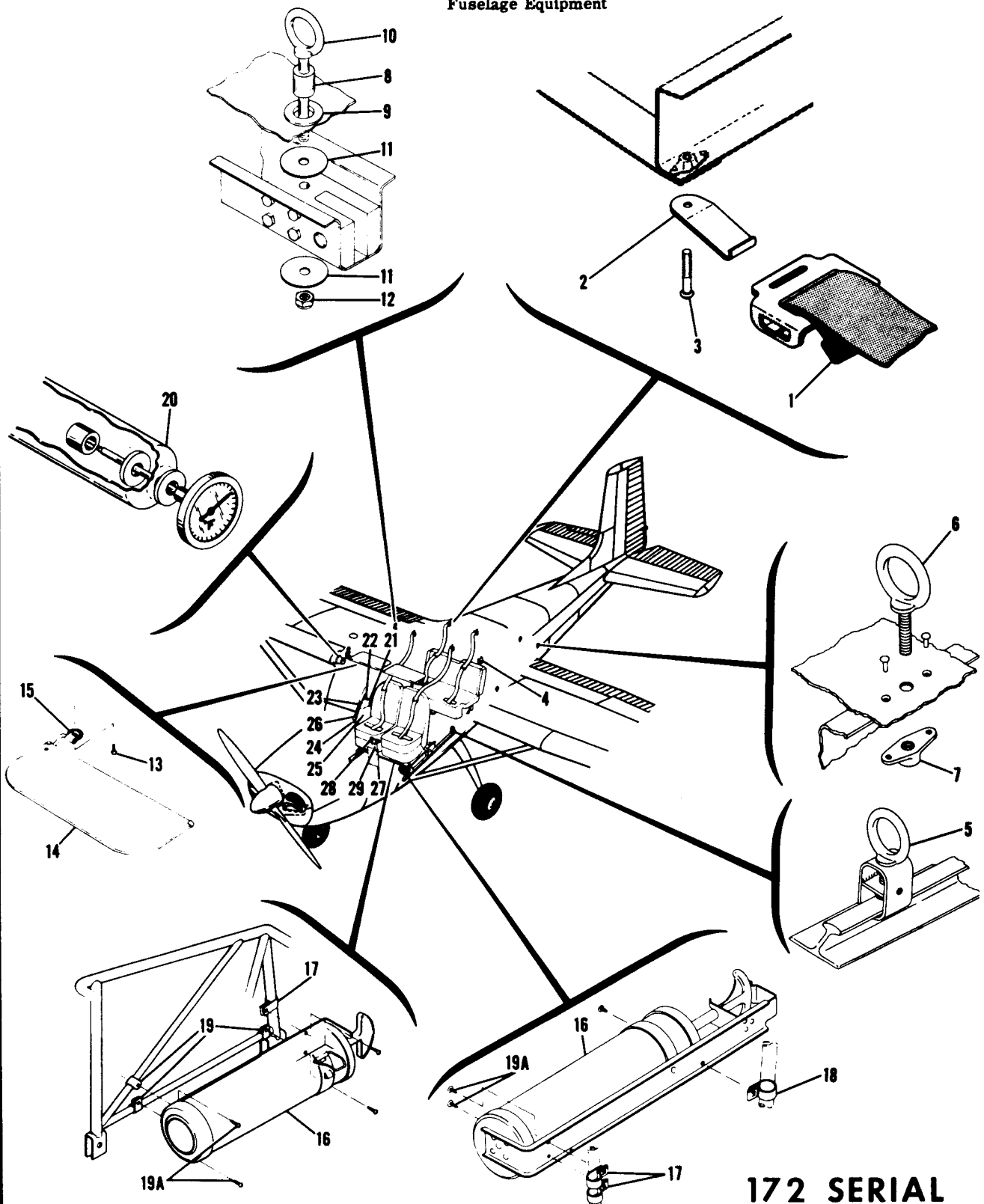
FIGURE AND INDEX NO.	PART NUMBER	DESCRIPTION	UNITS PER ASSY	USABLE ON CODE
		1 2 3 4 5 6 7		
518-		STATIONARY INSTRUMENT PANEL EQUIPMENT INSTALLATION -----	NP	A
		PANEL ASSEMBLY-STATIONARY -----	1	
- 1	0513133-42	STIFFENER-----	1	
- 2	0513133-20	STIFFENER-UPPER -----	1	
- 3	0513133-4	STIFFENER-LOWER -----	1	
- 4	0513133-5	PLATE-MOUNTING-----	1	
- 5	0513133-12	BRACKET-STARTER CONTROL -----	1	
- 6	0513133-23	CONTROL-THROTTLE-----CESSNA STANDARD -----	1	
- 7	S-1222-2	SWITCH-IGNITION -----	1	D
	0311038-2	SWITCH-LOCK KIT -----	1	C
	S-1255-5	SHIELD ASSEMBLY -----	1	D
	0311777	CONTROL-CARBURETOR HEAT -----	1	
- 8	0513183-1	PRIMEK ASSEMBLY -----	1	
- 9	0311538-10	KNOB-PRIMER -----	1	
	S-1240-5	CONTROL-MIXTURE REF 0513159-18 -----	1	
- 10	0713302-7	CONTROL LOCK -----	1	
- 11	0513173-1	CONTROL-STRAINER DRAIN REF 0513159-17 -----	1	
- 12	0713302-7	SUPPORT-STRAINER DRAIN CONTROL-----	1	
- 13	0756001-4	LIGHTER ASSEMBLY-CIGAR CUNO -----	1	
	0513039-7	TRIM CUP CUNO -----	1	
	34	PLUG-HEATING CUNO -----	1	
	33	SOCKET ASSEMBLY CUNO-----	1	
	32	KNOB ASSEMBLY -----	1	
	S-1240-6	FUSE-15 AMP-----	3	
- 14	0411023-2	FUSE-20 AMP-----	2	
- 15	0411023-6	RETAINER-FUSE -----	5	
	0411023-1	SWITCH-MASTER -----	1	
- 16	0713026-5	KNOB-MASTER SWITCH -----	1	
- 17	0713303-2	INDICATOR LIGHT-GENERATOR -----	1	
- 18	0513051-8	SWITCH-NAVIGATION LIGHT -----	1	
	0713026-4	KNOB-NAVIGATION LIGHT SWITCH -----	1	
-18A	0713035	SWITCH-LANDING LIGHT -----	1	
	0713303-2	KNOB-LANDING LIGHT SWITCH -----	1	
- 19	0713302-7	CONTROL-PARKING BRAKE-----REF 0513159-21-----	1	
- 20	0713302-6	CONTROL-CABIN HEAT REF 0513159-3 -----	1	
- 21	0713302-6	CONTROL-CABIN AIR REF 0513159-7-----	1	
- 22	0513144-13	PANEL ASSEMBLY -----	1	
	0513144-15	PANEL ASSEMBLY USE WITH OIL COOLER ONLY -----	1	
	AN515B6R10	ATTACHING PARTS -----		
	AN340B6	SCREW -----	2	
	AN936A6B	NUT -----	2	
		WASHER-----	2	
- 23	0513144-14	GAGE-FUEL-----	2	
- 24	0513144-8	GAGE-OIL PRESSURE DIRECT PRESSURE -----	1	
- 25	0513144-7	GAGE-OIL TEMPERATURE -----	1	
	0513144-2	GAGE-OIL TEMPERATURE USE WITH OIL COOLER ONLY -----	1	
- 26	0513056-2	GROMMET-CONTROL -----	2	
	0513056-1	GROMMET-CONTROL -----	2	
- 27	0513146-16	COLLAR-----	1	
		ATTACHING PARTS -----		
- 28	AN515-6R8	SCREW -----	4	
	MS20365-632C	NUT -----	4	
- 29	0511035-1	TACHOMETER WHEN EXHAUSTED USE S-1305N1 -----	1	
	S-1305N1	TACHOMETER-RECORDING -----	1	
	0411087-28	TACHOMETER ALTERNATE -----	1	
		ATTACHING PARTS -----		
	AN515B6R12	SCREW -----	4	
	AN340B6	NUT -----	4	
	AN936A6B	WASHER-----	8	
- 30	0450017-21	SHAFT-TACHOMETER DRIVE -----	1	
- 31	0513187-3	CONTROL-STARTER REF 0513187-1 -----	1	
- 32	0511063	SWITCH-STARTER -----	1	B
-32A	0713221-1	COVER ASSEMBLY-IGNITION SWITCH-----	1	C
- 33	0411020-1	AMMETER WHEN EXHAUSTED USE S-1319-1 -----	1	E
	S-1319-1	AMMETER 30 AMP -----	1	B
	0700036-2	ADAPTER-AMMETER -----	1	E
		ATTACHING PARTS -----		
	MS20365-632C	NUT -----	4	

		S-PART NOS. APPEARING ON THIS PAGE ARE CESSNA STANDARDS.		
		CONTINUED ON PAGE 170		

FIGURE AND INDEX NO.	PART NUMBER	DESCRIPTION	UNITS PER ASSY	USABLE ON CODE
518- 34	0311057-1 S-1300N1 0311057-2 AN936A6B AN340B6	1 2 3 4 5 6 7 SUCTION GAGE WHEN EXHAUSTED USE S-1300N1 ----- SUCTION GAGE REMANUFACTURED CESSNA STANDARD ----- SUCTION GAGE ALT WHEN EXHAUSTED USE S-1300N1 ----- ATTACHING PARTS ----- WASHER ----- NUT ----- -----	1 1 1 4 4	
- 35	0513133-50-279 0513133-57-279 0513133-37-279 99608K2215	PANEL ASSEMBLY-STATIONARY COVER SKYHAWK ----- PANEL ASSEMBLY-STATIONARY COVER SKYHAWK ----- PANEL ASSEMBLY-STATIONARY COVER ----- ATTACHING PARTS ----- STUD UC ----- -----	1 1 1 2	B C
- 36	U500052-1	EMBLEM -----	1	
- 37		GLOVE BOX & DOOR INSTALLATION SEE FIGURE 49A ----- SHOCK PANEL INSTALLATION SEE FIGURE 51 -----	1 NP	
NOTE. * CASCO PARTS ARE NO LONGER AVAILABLE. FOR REPLACEMENT ORDER COMPLETE CUNO ASSEMBLY PART NO. 0513039-7.				
NOTE. □ THIS KIT ALSO INCLUDES TWO DOOR LOCKS & KEYS				
A---172 SERIAL 17247747 THRU 17249544 B---172 SKYHAWK SERIAL 17247747 THRU 17248734 C---172 SKYHAWK SERIAL 17248735 THRU 17249544 D---172 SERIAL 17247747 THRU 17249544 172 SKYHAWK SERIAL 17247747 THRU 17248734 E---172 SERIAL 17247747 THRU 17248734				
NOTE. %THIS PART IS NOT USED ON 172 SKYHAWK.				

This page intentionally left blank.

Fuselage Equipment



175 SERIAL 55001
THRU 17557119

Figure 52. Fuselage Equipment Installation

172 SERIAL
28000 THRU
17249544

FIGURE AND INDEX NO.	PART NUMBER	DESCRIPTION	UNITS PER ASSY	USABLE ON CODE
52-		FUSELAGE EQUIPMENT INSTALLATION -----	NP	
		SHOULDER HARNESS INSTALLATION -----	NP	
- 1	0511233	HARNESS-SHOULDER -----	1	A
	0511233-7	HARNESS-SHOULDER -----	1	B
- 2	0511232-3	HARNESS-SHOULDER -----	1	
		HOOK-SHOULDER HARNESS -----	1	
		ATTACHING PARTS -----		
- 3	NAS221-10	SCREW -----	1	
		-----*		
- 4	10004-98	JACKPOINT-UNIVERSAL -----	1	
		CARGO TIE-DOWN LUGS INSTALLATION -----	1	
- 5	0511166	SLIDE ASSEMBLY -----	2	
- 6	0511165	RING -----	6	
		ATTACHING PARTS -----		
- 7	NAS680A4	NUTPLATE -----	1	E
		-----*		
		HOISTING PROVISIONS INSTALLATION -----	NP	
- 8	0541115-2	SPACER -----	4	
- 9	MS35489-17	GROMMET -----	4	
- 10	0541115-3	EYEBOLT -----	4	
		ATTACHING PARTS -----		
- 11	AN970-5	WASHER -----	2	
- 12	MS20365-524C	NUT -----	1	
		-----*		
		SUN VISOR INSTALLATION -----	NP	
- 13	0713011-13	VISOR ASSEMBLY-SUN -----	1	
		ATTACHING PARTS -----		
- 14	AN507-1032R14	SCREW -----	2	
		-----*		
- 15	0713011-12	BRACKET-VISOR -----	1	
		PLASTIC SEAT COVERS SEE AK KIT LIST -----	NP	
		FIRE EXTINGUISHER INSTALLATION -----	NP	
- 16	0800111-2	FIRE EXTINGUISHER -----	1	
- 17	A2981A-8-27	CLAMP TIN -----	1	H
	A2981A-8-27	CLAMP TIN -----	2	G
- 18	A2981A-10-27	CLAMP TIN -----	1	G
- 19	A2981A-4-27	CLAMP TIN -----	3	H
		ATTACHING PARTS -----		
-19A	S-10212-8-8	SCREW CESSNA STANDARD -----	1	
		-----*		
		PORTABLE STRETCHER INSTALLATION SEE FIG 53 -----	1	
- 20	0411078-2	GAGE-OUTSIDE AIR TEMPERATURE WHEN -----	1	
		EXHAUSTED USE S-1322-1 -----		
	S-1322-1	GAGE-OUTSIDE AIR TEMPERATURE CESSNA STANDARD -----	1	
- 21	0713068-2	COMPASS ASSEMBLY -----	1	L
	0713068-4	COMPASS ASSEMBLY -----	1	M
		ATTACHING PARTS -----		
- 22	0713065	BRACKET-COMPASS -----	1	L
	0513199-1	BRACKET-COMPASS -----	1	M
	AN520PB10R10	SCREW -----	4	L
	AN515B6R12	SCREW -----	4	M
		-----*		
- 23	GE330	LAMP-COMPASS GE -----	1	D
- 24	0713071	CLIP-COMPASS WIRE -----	2	D
- 25	MS35489-33	GROMMET -----	1	
- 26	A3493-012-3	CLIP-COMPASS WIRE TIN -----	1	D
	S-1155-3	CLAMP-PLASTIC HLB1 -----	1	A

CONTINUED ON PAGE 174

FIGURE AND INDEX NO.	PART NUMBER	DESCRIPTION							UNITS PER ASSY	USABLE ON CODE
		1	2	3	4	5	6	7		
52-	0513145-6	LOCK ASSEMBLY-CONTROL-----							1	F
	0513165-1	LOCK ASSEMBLY-CONTROL-----							1	J
	0513165-3	LOCK ASSEMBLY-CONTROL-----							1	K
- 27	0513145-2	GUARD-CONTROL-----							1	F
	0513148-3	GUARD-CONTROL-----							1	C
- 28	0513145-7	PIN-CONTROL GUARD-----							1	F
	0513165-2	PIN-CONTROL GUARD-----							1	J
	0513165-4	PIN-CONTROL GUARD-----							1	K
- 29	0513145-8	SHIELD-CONTROL PIN-----							1	F
	0700315-1	TOW BAR-----							1	
	0700315-2	TOW BAR USE WITH SPEED FAIRING ONLY-----							1	
	10004-101	TIRE EXPANDER TUBELESS TIRE ONLY-----							1	
	0526001-1	CUP-FUEL SAMPLER-----							1	
		A---172 SERIAL 28000 THRU 29174								
		B---172 SERIAL 29175 THRU 17249544								
		175 SERIAL 55001 THRU 17557119								
		C---175 SERIAL 55001 THRU 17557119								
		172 SERIAL 17247747 THRU 17249544								
		D---172 SERIAL 29175 THRU 17249544								
		E---172 SERIAL 28000 THRU 17249544								
		F---172 SERIAL 36858 THRU 47746								
		G---172 SERIAL 28000 THRU 36215								
		H---172 SERIAL 36216 THRU 17249544								
		175 SERIAL 55001 THRU 17557119								
		J---172 SERIAL 17247747 THRU 17249544								
		175 SERIAL 55001 THRU 17557002								
		K---175 SERIAL 17557003 THRU 17557119								
		L---172 SERIAL 28000 THRU 17249150								
		175 SERIAL 55001 THRU 17557097								
		M---172 SERIAL 17249151 THRU 17249544								
		175 SERIAL 17557098 THRU 17557119								
		NOTE. FOR ACCESSORY KIT LISTINGS REFER TO PAGE 364								

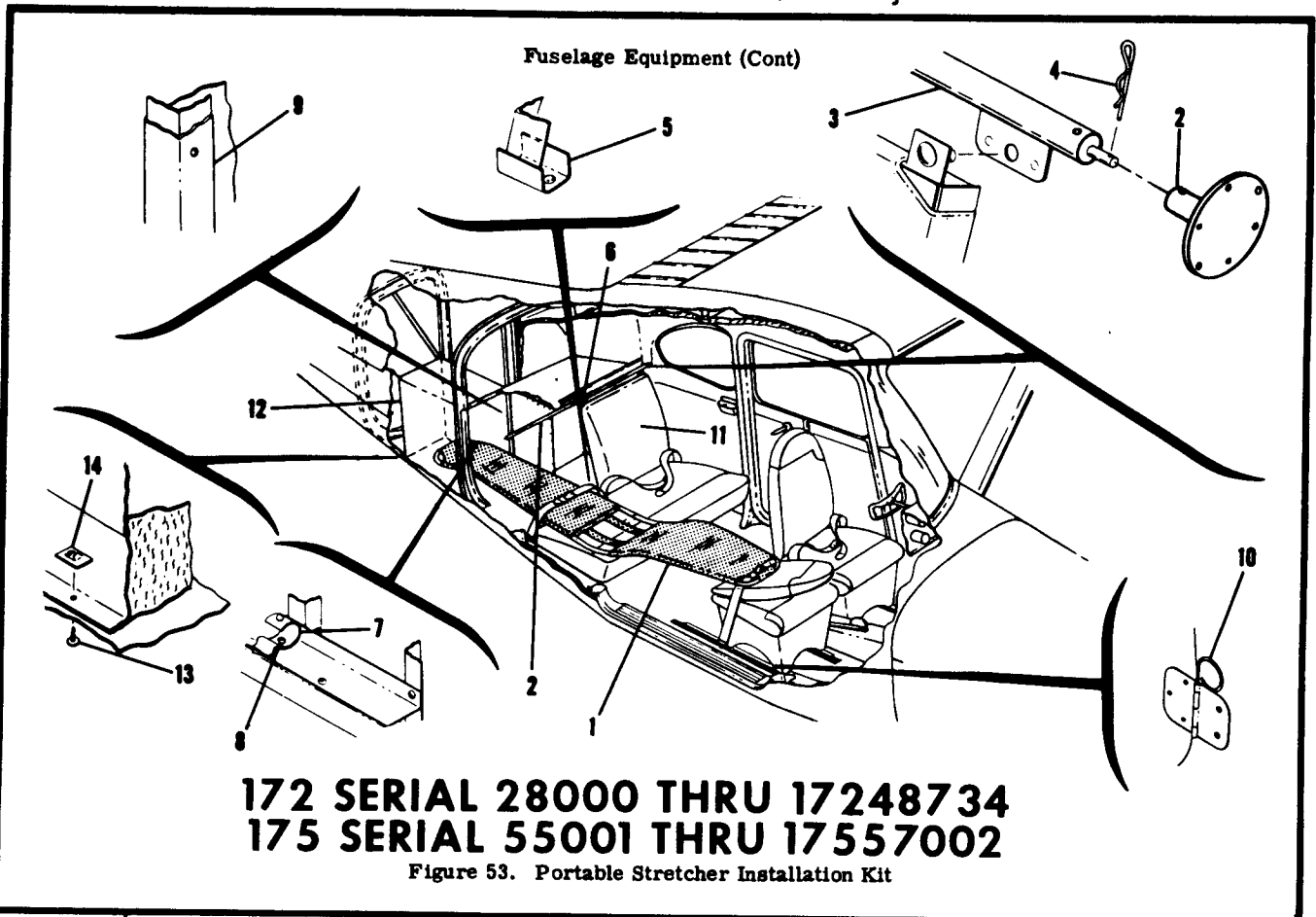
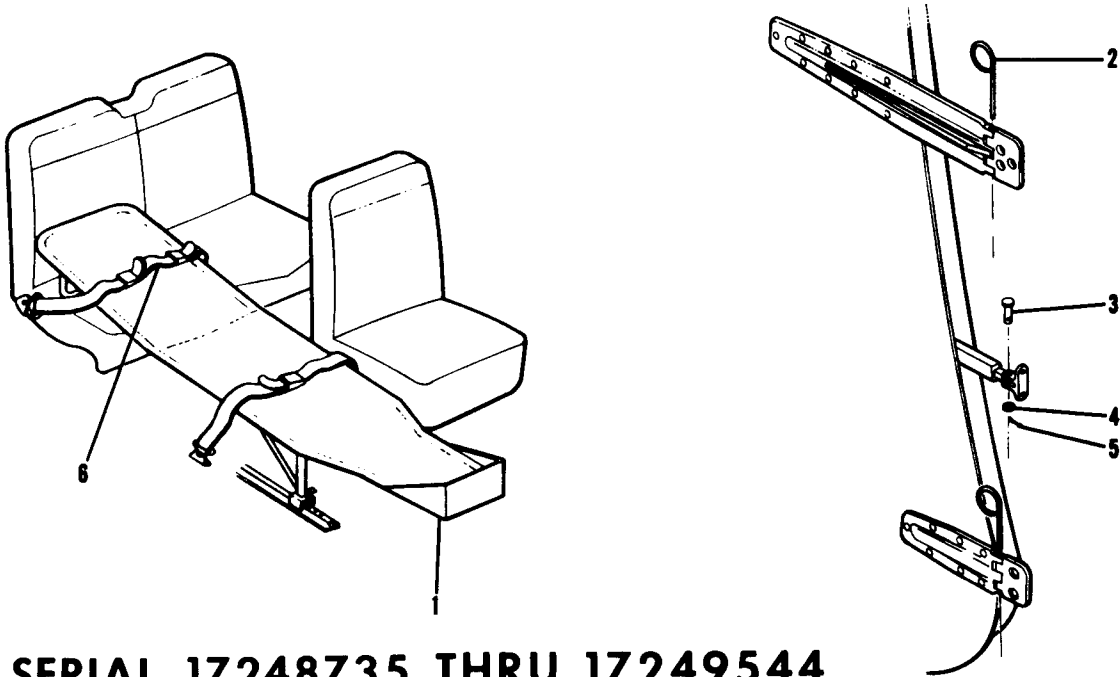


FIGURE AND INDEX NO.	PART NUMBER	DESCRIPTION	UNITS PER ASSY	USABLE ON CODE
		1 2 3 4 5 6 7		
53-		PORTABLE STRETCHER INSTALLATION -----		
- 1	100	STRETCHER-GRANPORTABLE -----	1	A
- 2	0511003-23	SUPPORT BRACKET ASSEMBLY -----	1	
- 3	0511170	SUPPORT ASSEMBLY-SEAT BACK -----	2	
- 4	AN415A	ATTACHING PARTS -----	1	
		PIN -----	2	
- 5	0511131-10	CLIP-SEATBACK -----	2	
- 6	0511171	PLACARD-BAGGAGE COMPARTMENT -----	1	
- 7	0511003-10	STRAP-TIEDOWN -----	1	
		ATTACHING PARTS -----	1	
- 8	S-1021Z-4-6	SCREW CESSNA STANDARD -----	1	
	NAS446-1-3	NUT TIN A1776-4Z-3 -----	1	
- 9	0511003-16	ANGLE-BAG RETAINING -----	1	
- 10	S-1426-2	PIN-HINGE REMOVEABLE -----	2	
- 11	0511131	BACK ASSEMBLY-REAR SEAT -----	1	
- 12	0511003-17	BAG ASSEMBLY-STRETCHER WALL -----	1	
		ATTACHING PARTS -----		
- 13	S-1021Z-4-6	SCREW CESSNA STANDARD -----	30	
- 14	NAS446-1-3	NUT TIN A1776-4Z-3 -----	30	
		A---172 SERIAL 28000 THRU 17248734 175 SERIAL 55001 THRU 17557002		
NOTE. FOR ACCESSORY KIT LISTINGS REFER TO PAGE 364				

Fuselage Equipment (Cont)

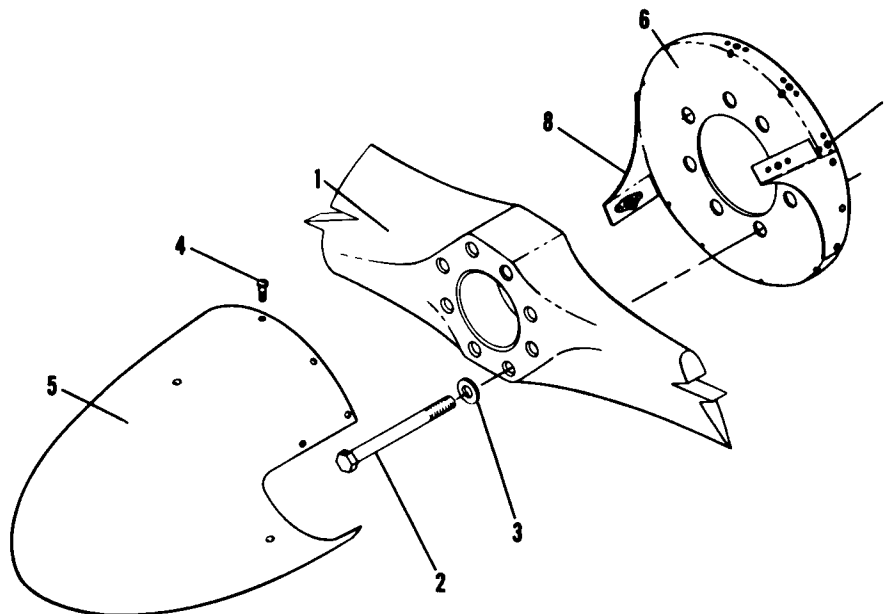


172 SERIAL 17248735 THRU 17249544
175 SERIAL 17557003 THRU 17557119

Figure 53A. Portable Stretcher Installation

FIGURE AND INDEX NO.	PART NUMBER	DESCRIPTION	UNITS PER ASSY	USABLE ON CODE
53A-		1 2 3 4 5 6 7		
- 1	0700073-2	STRETCHER INSTALLATION-PORTABLE -----	NP	A
- 2	S-1426-2	STRETCHER-PORTABLE -----	1	
- 3	MS20392-2-9	PIN-HINGE -----	2	
- 4	AN960-10L	PIN-FLATHEAD -----	1	
- 5	MS24665-148	WASHER -----	1	
- 6	FDC-2475-50	PIN-COTTER -----	1	
		BELT-EXTENSION DAP1 -----	1	
		NOTE. FOR ACCESSORY KIT LISTINGS REFER TO PAGE 364		
		A---172 SERIAL 17248735 THRU 17249544		
		175 SERIAL 17557003 THRU 17557119		

Propeller

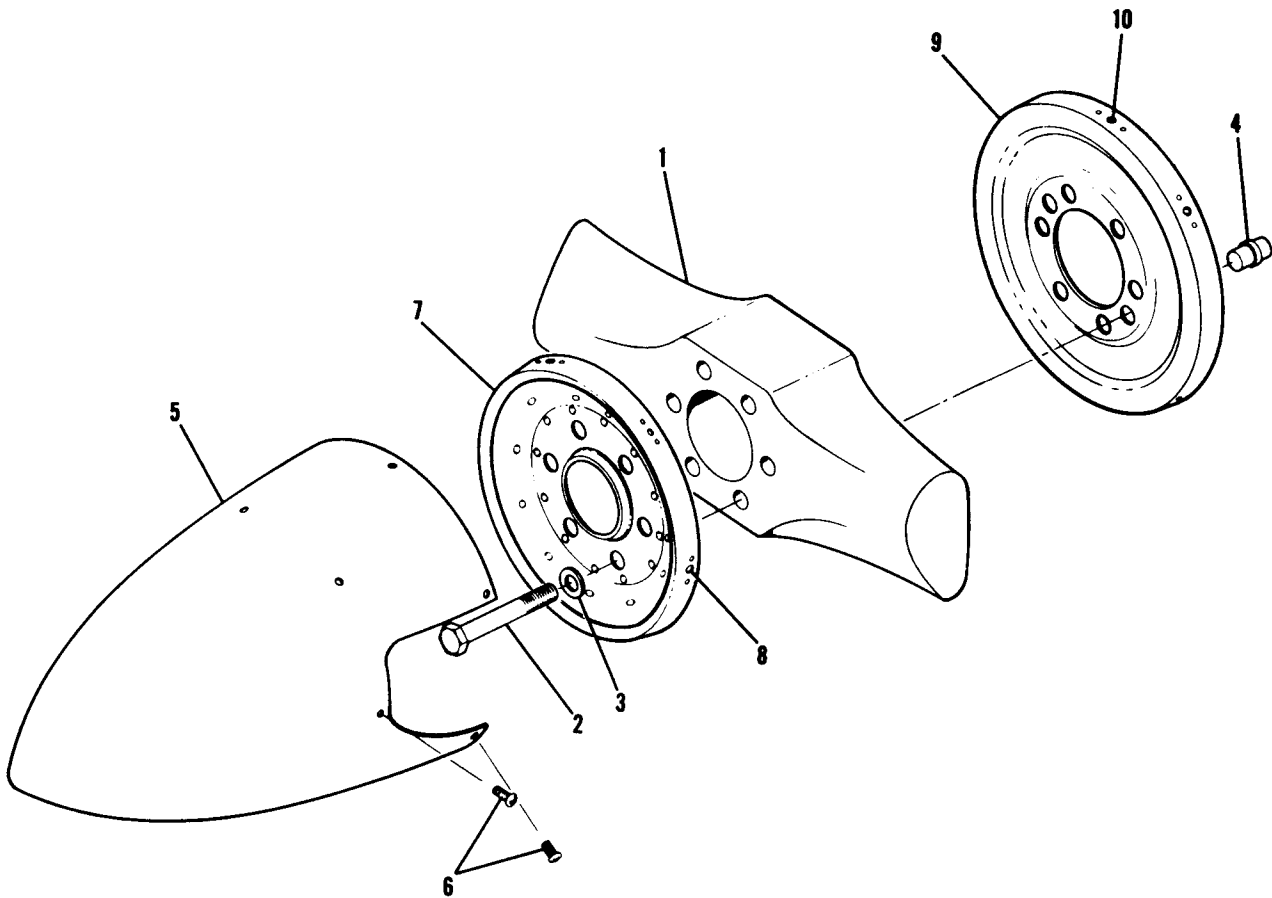


172 SERIAL 28000 THRU 46754

Figure 54. Propeller Installation

FIGURE AND INDEX NO.	PART NUMBER	DESCRIPTION	UNITS PER ASSY	USABLE ON CODE
54-		1 2 3 4 5 6 7		
- 1	0411098-8	PROPELLER INSTALLATION -----	NP	A
		PROPELLER-METAL MCL 1A170-DM7651, 1A170-MDM7653, -----	1	
	0411098-13	1C172-MDM7651, OR 1C172-MDM7653		
		PROPELLER-METAL SENSNICH M74DR ALT FOR 0411098-8	1	
		ATTACHING PARTS		
- 2	AN6H45	BOLT -----	8	
- 3	AN960-616	WASHER-----	8	
		-----*		
- 4	AN515-8R8	SPINNER ASSEMBLY-PROPELLER-----	NP	
- 5	0550162-7	SCREW -----	10	
- 6	0550162-3	SPINNER ASSEMBLY-FORWARD-----	1	
- 7	NAS681A08	PLATE ASSEMBLY-MOUNTING -----	1	
- 8	0550162-6	NUTPLATE -----	10	
		FILLET -----	2	
		A---172 SERIAL 28000 THRU 46754		

Propeller (Cont)



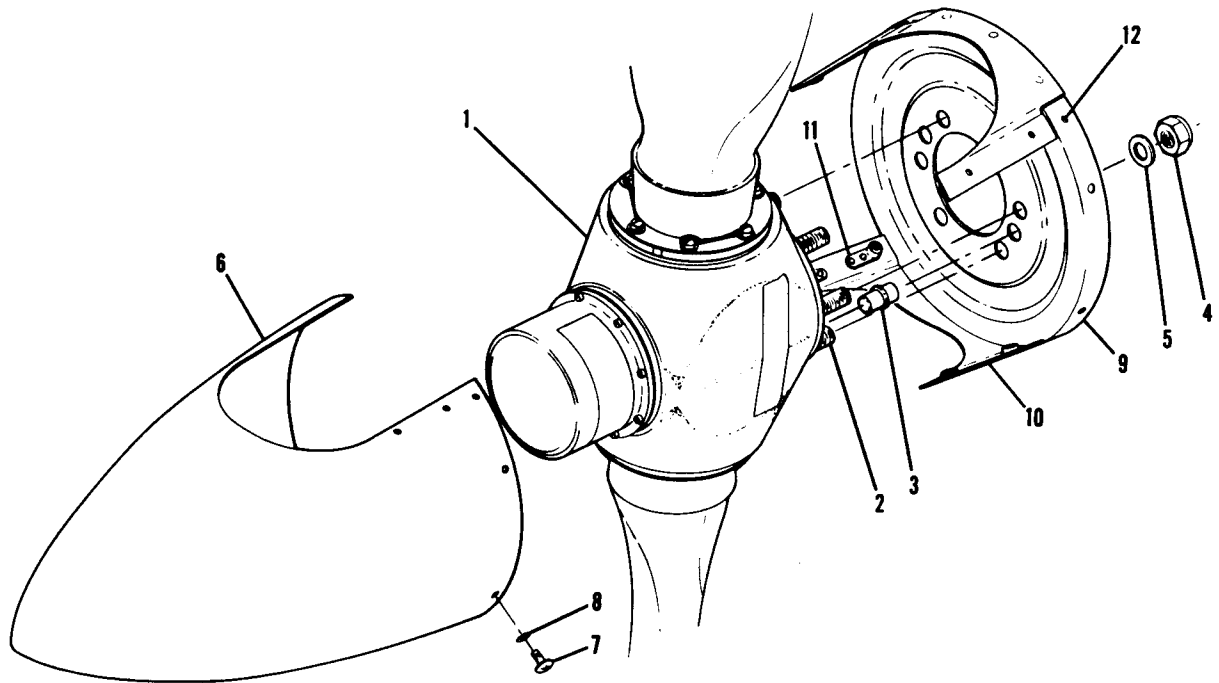
172 SERIAL 46755 THRU 17249544
175 SERIAL 55001 THRU 17557002

Figure 54A. Propeller Installation

FIGURE AND INDEX NO.	PART NUMBER	DESCRIPTION	UNITS PER ASSY	USABLE ON CODE
		1 2 3 4 5 6 7		
54A-		PROPELLER INSTALLATION -----	NP	A
- 1	0550211-1	PROPELLER-METAL MCL IC172/EM7654 -----	1	D
	0550211-2	PROPELLER-METAL MCL IC172/EM7653 -----	1	E
	0550292-1	PROPELLER-METAL FLOATPLANE ONLY-----MCL 1A175/SFC8040	1	B
	0550205-1	PROPELLER-METAL MCL IB175/MFC8467 -----	1	F
	0550205-2	PROPELLER-METAL FLOATPLANE ONLY-----MCL IB175/MFC8455	1	G
	0550291-1	PROPELLER-METAL FLOATPLANE ONLY-----MCL I5200/OM9044	1	C
		ATTACHING PARTS -----		
- 2	AN8-46A	BOLT ----- 172 SERIAL 46755	6	G
	AN8-43A	BOLT ----- THRU 17249544	6	B
	AN8-46AS	BOLT ----- THRU 17249544	6	C
	AN8-46AS	BOLT FLOATPLANE ONLY ----- THRU 17249544	6	B
- 3	AN960-816	WASHER ----- 175 SERIAL 55001	12	
	MS20365-820C	NUT ----- THRU 17557002	6	
- 4	A-2371	DOWEL MCL -----	2	B
	A-1562	DOWEL MCL -----	2	F
		-----*		
- 5	0550228-28	SPINNER ASSEMBLY-----	NP	A
		DOME ASSEMBLY -----	1	
		ATTACHING PARTS -----		
- 6	AN515-8RB	SCREW -----	12	
		-----*		
- 7	0550228-3	BULKHEAD ASSEMBLY-FORWARD -----	1	
- 8	NAS680A8	NUTPLATE -----	6	
- 9	0550228-26	BULKHEAD ASSEMBLY-AFT -----	1	B
	0550228-35	BULKHEAD ASSEMBLY-AFT FLOATPLANE ONLY -----	1	B
	0550228-37	BULKHEAD ASSEMBLY-AFT -----	1	F
- 10	NAS680A08	NUTPLATE -----	6	
		NOTE* FOR AIRPLANES THAT HAVE NOT BEEN EQUIPPED WITH THE PROPELLER SPINNER SHOWN ON THE OPPOSITE PAGE, ORDER ONE OF THE FOLLOWING KITS. SK172-17A FOR 172 LANDPLANES SK172-18A FOR 172 FLOATPLANES SK175-10 FOR 175 LANDPLANES & FLOATPLANES		
		A---172 SERIAL 46755 THRU 17249544 175 SERIAL 55001 THRU 17557002		
		B---172 SERIAL 46755 THRU 17249544		
		C---175 SERIAL 56239 THRU 17557002		
		D---172 SERIAL 46755 THRU 47746		
		E---172 SERIAL 17247747 THRU 17249544		
		F---175 SERIAL 55001 THRU 17557002		
		G---175 SERIAL 55001 THRU 56238		

This page intentionally left blank.

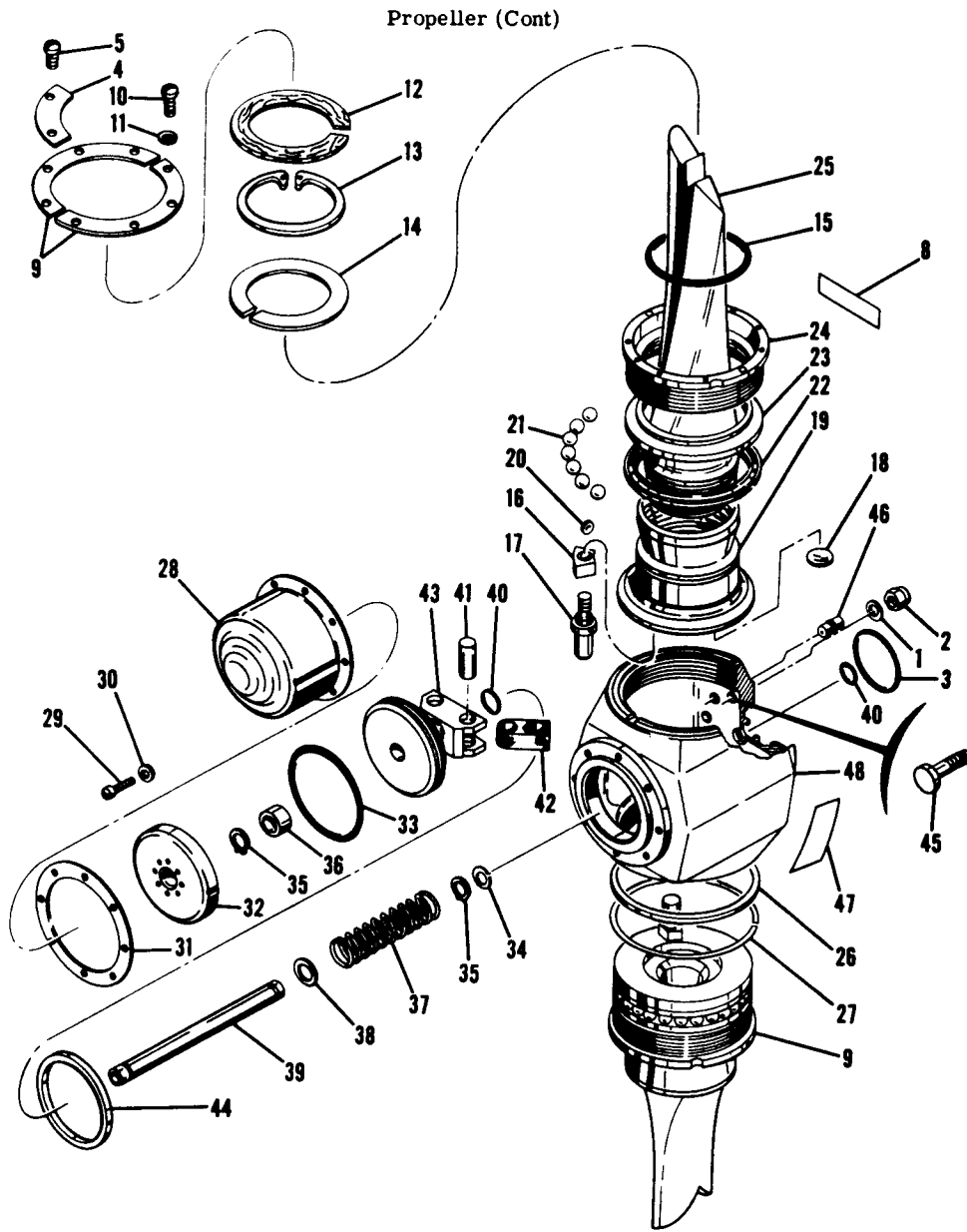
Propeller (Cont)



175 SKYLARK SERIAL 17557003 THRU 17557119

Figure 54B. McCauley Constant Speed Propeller Installation

FIGURE AND INDEX NO.	PART NUMBER	DESCRIPTION	UNITS PER ASSY	USABLE ON CODE
54B-		1 2 3 4 5 6 7		
- 1	0552015-2	PROPELLER INSTALLATION-CONSTANT SPEED MCCAULEY PROPELLER ASSEMBLY MCCAULEY 2A31C21/845 SEE FIGURE 54C FOR BREAKDOWN	NP 1	A
- 2	A-2947-2	ATTACHING PARTS BOLT-HUB MOUNTING MCL	6	
- 3	A-1562	DOWEL-HUB ALIGNMENT MCL	2	
- 4	A-1639-2	NUT MCL	6	
- 5	A-1638-2	WASHER MCL	6	
- 6	0552016-1	SPINNER ASSEMBLY	1	
- 7	AN515-8R8	ATTACHING PARTS SCREW	16	
- 8	AN960-8L	WASHER	16	
- 9	0552016-3	BULKHEAD ASSEMBLY	1	
- 10	0552016-4	FILLET	2	
- 11	NAS680A08	NUTPLATE	12	
- 12	NAS682A08	NUTPLATE	4	
		A---175 SERIAL 17557003 THRU 17557119		



175 SKYLARK SERIAL 17557003 THRU 17557119

Figure 54C. McCauley Propeller Assembly

FIGURE AND INDEX NO.	PART NUMBER	DESCRIPTION	UNITS PER ASSY	USABLE ON CODE
54C-	0552015-2	PROPELLER ASSEMBLY-MODEL 2A31C21-X / 845-X	1	A
- 1	A-1639-2	NUT	6	
- 2	A-1638-2	WASHER-PLAIN	6	
- 3	A-1633-3	PACKING-O-RING	1	
- 4	A-2974	WEIGHT-BALANCE ATTACHING PARTS	AR	
- 5	A-1635-16 *	SCREW ATTACH ONE WEIGHT	AR	
	A-1635-17 *	SCREW ATTACH TWO WEIGHT	AR	

FIGURE AND INDEX NO.	PART NUMBER		DESCRIPTION	UNITS PER ASSY	USABLE ON CODE
			1 2 3 4 5 6 7		
54C-	A-1635-18	*	SCREW ATTACH THREE WEIGHT	AR	
	A-1635-19	*	SCREW ATTACH FOUR WEIGHT	AR	
	A-1635-21	*	SCREW ATTACH FIVE WEIGHT	AR	
	A-1635-22	*	SCREW ATTACH SIX WEIGHT	AR	
			-----*		
- 6	D-2970/84S-X		BLADE ASSEMBLY	2	
- 7			DELETED NOT USED		
- 8	A-1958		DECAL	1	
- 9	B-2967		PLATE-SPLIT COVER	2	
			ATTACHING PARTS		
- 10	A-1635-27		SCREW	AR	
- 11	A-1638-5		WASHER-RED FIBER	AR	
			-----*		
- 12	B-3021		PACKING-FELT	1	
- 13	A-1636-14		RING-EXTERNAL RETAINING	1	
- 14	B-2972-8		SHIM-0.008 IN. THICK	AR	
	B-2972-10		SHIM-0.010 IN. THICK	AR	
	B-2972-12		SHIM-0.012 IN. THICK	AR	
	B-2972-14		SHIM-0.014 IN. THICK	AR	
	B-2972-16		SHIM-0.016 IN. THICK	AR	
	B-2972-18		SHIM-0.018 IN. THICK	AR	
	B-2972-20		SHIM-0.020 IN. THICK	AR	
- 15	A-1633-17		PACKING-O-RING	1	
- 16	B-2966		BASE-ACTUATING PIN	1	
- 17	B-2965		PIN-BLADE ACTUATING	1	
- 18	A-1580		PLUG-FERRULE STAKING	1	
- 19	C-2963		FERRULE-BLADE RETENTION	1	
	C-2953		BEARING-BLADE RETENTION	1	
- 20	A-3020		SEPARATOR-BALL	26	
- 21	A-1634-5		BALL-BEARING	26	
- 22	C-2953-1		RACE-LOWER	1	
- 23	C-2953-2		RACE-UPPER	1	
- 24	C-2964		NUT-BEARING RETENTION	1	
- 25	84S-X		BLADE	1	
- 26	A-2975		RING-RETENTION NUT LOCK	2	
- 27	A-2976		SHIM-BALANCING	2	
- 28	C-1904		CYLINDER	1	
			ATTACHING PARTS		
- 29	A-1635-13		SCREW	8	
- 30	A-1638-9		WASHER-BRASS	8	
- 31	A-1938		GASKET-CYLINDER	1	
			-----*		
- 32	B-1965		SUPPORT-SPACER	1	
- 33	A-1633-13		PACKING-O-RING	1	
- 34	A-2351		WASHER-FIBER	1	
- 35	A-1636-7		RING-EXTERNAL RETAINING	2	
- 36	A-2108		SPACER-LOW PITCH STOP	1	
- 37	A-2357		SPRING-LOW PITCH RETURN BOOST	1	
- 38	A-3022		SPACER-SPRING	1	
- 39	B-2968		TUBE-PISTON ROD	1	
- 40	A-1633-9		PACKING-O-RING	2	
	A-2961		PISTON ASSEMBLY	1	
- 41	A-2973-1		PIN-PISTON	2	
- 42	A-2962		LINK-BLADE ACTUATING	2	
- 43	C-2960		PISTON-BLADE ACTUATING	1	
- 44	A-1937-4		SPACER-HIGH PITCH STOP	1	
	C-2959		HUB ASSEMBLY	1	
- 45	A-2947-2		BOLT-HUB MOUNTING	6	
	A-2947-4		BOLT-HUB MOUNTING 0.002 IN. OVERSIZE	AR	
	A-2947-6		BOLT-HUB MOUNTING 0.004 IN. OVERSIZE	AR	
- 46	A-1562		DOWEL-HUB ALIGNMENT	2	
	A-1562-30		DOWEL-HUB ALIGNMENT---0.0015 IN. OVERSIZE---	AR	
	A-1562-45		DOWEL-HUB ALIGNMENT---0.0030 IN. OVERSIZE---	AR	
- 47	A-2230		DECAL-INSTALLATION	1	
- 48	D-2958		HUB-PROPELLER	1	

NOTE. *TWO SCREWS REQUIRED PER BALANCE WEIGHT OR SET OF WEIGHTS.

A---175 SERIAL 17557003 THRU 17557119

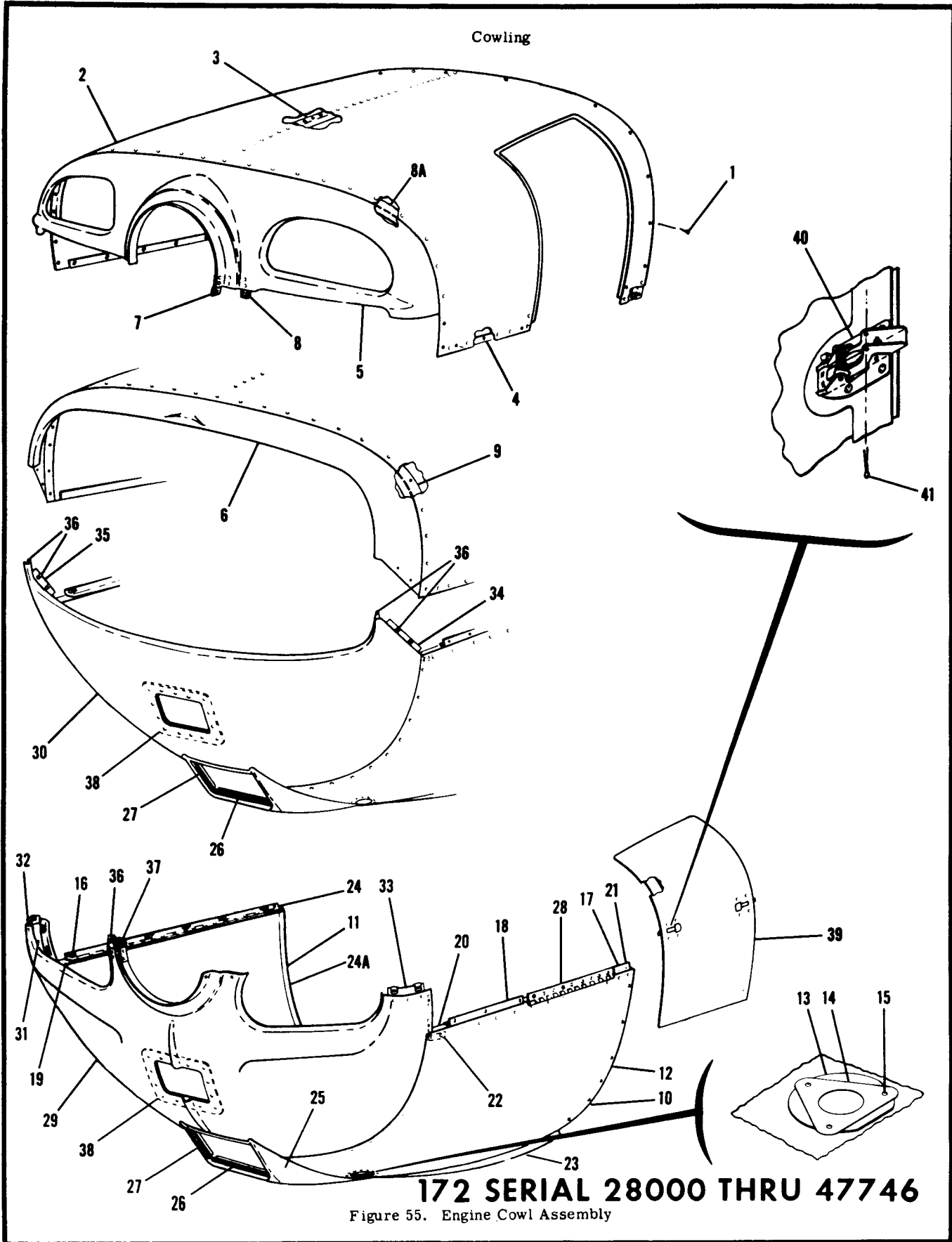


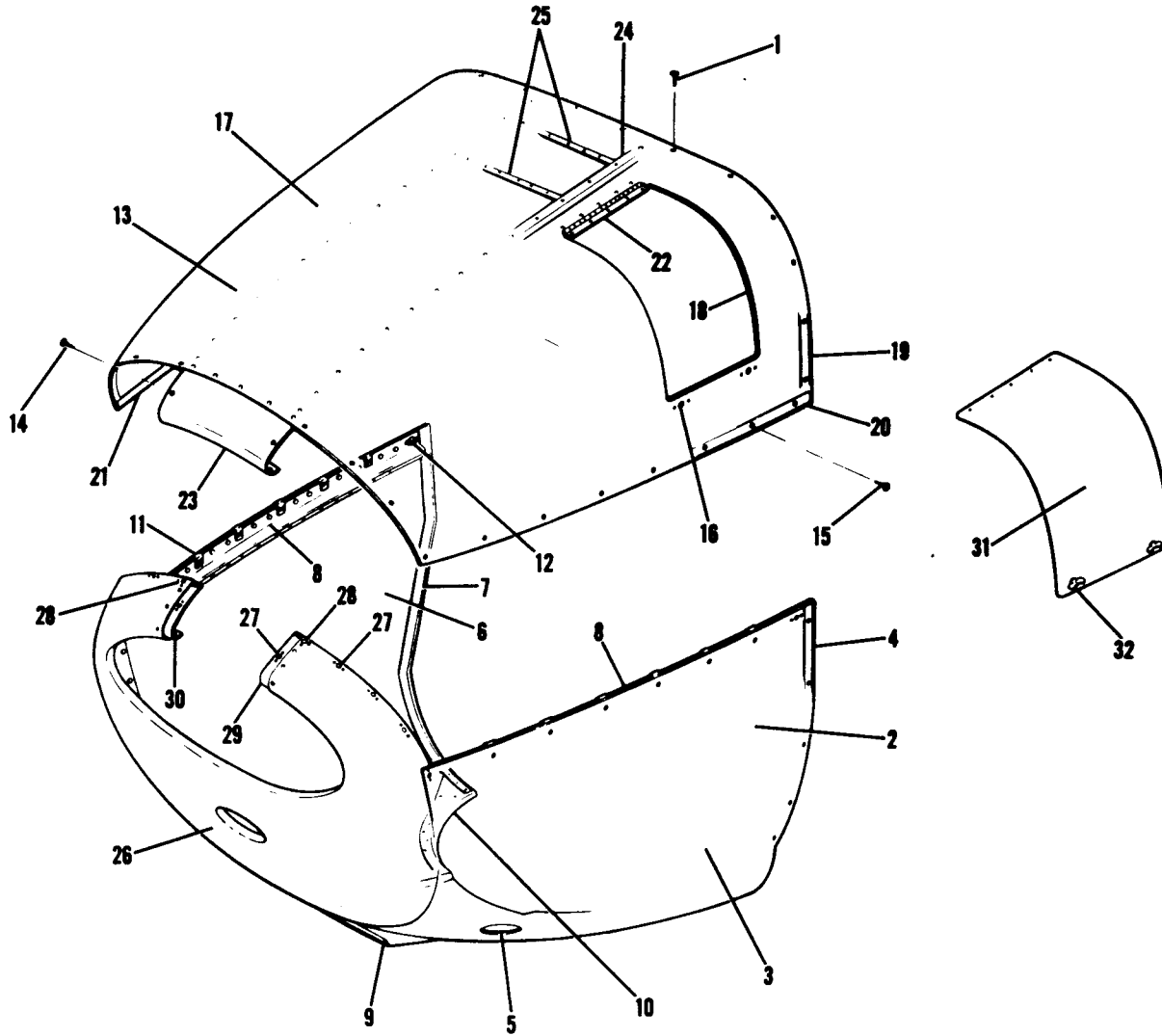


FIGURE AND INDEX NO.	PART NUMBER	DESCRIPTION	UNITS PER ASSY							USABLE ON CODE	
			1	2	3	4	5	6	7		
55-	0552002-62 0552002-80	COWL ASSEMBLY-ENGINE COWL ASSEMBLY-ENGINE	172 SERIAL 28000 THRU 47746							1 1	A B
- 1	S-1021Z-8-8	ATTACHING PARTS SCREW CESSNA STANDARD								26	
	0595000-1 0552002-78	COWL ASSEMBLY-UPPER COWL ASSEMBLY-UPPER								1	A B
	S-1021Z-8-8	ATTACHING PARTS SCREW CESSNA STANDARD								21	
- 2	0595000-2	COWL ASSEMBLY-UPPER LESS NOSE CAP								1	
- 3	0552002-43	STIFFENER-UPPER COWL CENTER								1	
- 4	0552002-40	DOUBLER-UPPER COWL FORWARD								1	
- 5	0595000-3	NOSE CAP ASSEMBLY-UPPER COWL								1	A
- 6	0552002-76	NOSE CAP ASSEMBLY-UPPER COWL								1	B
- 7	0552002-31	CLIP-NOSE CAP								1	A
- 8	0552002-42	CLIP-NOSE CAP								2	A
	NAS395-14-3	NUT TIN A1274-8Z-3								2	A
- 8A	0552002-20	STIFFENER								1	A
- 9	0552002-85	STIFFENER ASSEMBLY-UPPER COWL								1	A
	0595000-4	COWL ASSEMBLY-LOWER								1	B
	0595000-11	COWL ASSEMBLY-LOWER								1	B
	S-1021Z-8-8	ATTACHING PARTS SCREW CESSNA STANDARD								2	
- 10	0595000-5	COWL ASSEMBLY-LOWER-LESS NOSE CAP								1	A
	0595000-12	COWL ASSEMBLY-LOWER-LESS NOSE CAP								1	B
- 11	0552002-71	SPOTWELD ASSEMBLY-LOWER COWL RH								1	
- 12	0552002-68	SPOTWELD ASSEMBLY-LOWER COWL LH								1	
- 13	0552002-63	RING-EXHAUST OPENING								2	
- 14	0552002-64	PLATE-EXHAUST OPENING								2	
	S-1021Z-8-8	ATTACHING PARTS SCREW CESSNA STANDARD								3	
- 15	NAS446-4-3	NUT TIN A1778-8Z-3								3	
	0552002-59	ANGLE ASSEMBLY-UPPER PARTING LINE RH								1	
- 16	NAS444-4	NUTPLATE TIN A6191-8Z-3								6	
- 17	0552002-34	ANGLE-UPPER PARTING REAR								1	
- 18	0552002-35	ANGLE-UPPER PARTING FORWARD								1	
- 19	0552002-14	ANGLE-LOWER PARTING RH								1	
- 20	0552002-13	ANGLE-LOWER PARTING LH								1	
- 21	0552002-10	NUTSTRIP-LOWER COWL LH								1	
- 22	0552002-74	CLIP-LOWER COWL FORWARD RH								1	A
	0552002-75	CLIP-LOWER COWL FORWARD LH								1	A
- 23	0552002-87	LIP-LOWER COWL								1	
- 24	0552002-38	CLIP-LOWER COWL REAR								2	
-24A	0552002-86	DOUBLER-RH								1	
	0552002-89	DOUBLER-LH								1	
	054404-1	DOUBLER-RH								1	
	054404-2	DOUBLER-LH								1	
- 25	0552001-16	SCOOP ASSEMBLY-AIR								1	
- 26	0450234-13	RUB STRIP-TOP & BOTTOM								2	
- 27	0450234-14	RUB STRIP-SIDE								2	
- 28	0552002-46	HINGE ASSEMBLY-LOWER COWL								1	
- 29	0595000-6	NOSE CAP ASSEMBLY-LOWER COWL								1	A
- 30	0595000-10	NOSE CAP ASSEMBLY-LOWER COWL								1	A
- 31	0552002-22	STIFFENER-LOWER COWL RH								1	A
	0552002-21	STIFFENER-LOWER COWL LH								1	A
- 32	0552002-24	PLATE-SPLICE RH								1	A
- 33	0552002-23	PLATE-SPLICE LH								1	A
- 34	0552002-83	SPLICE FITTING-LH								1	B
- 35	0552002-84	SPLICE FITTING-LH								1	B
- 36	NAS395-14-3	NUT TIN A1274-8Z-3								6	
- 37	0552002-31	CLIP-LOWER COWL OPENING								1	A
- 38	0552001-43	DOUBLER-LOWER COWL OPENING								1	
- 39	0552002-9	DOOR ASSEMBLY-COWL								1	
- 40	S-1188-1	LATCH-COWL DOOR HWL								2	
- 41	AN380-2-3	PIN-COTTER								2	

A---172 SERIAL 28000 THRU 36965
B---172 SERIAL 36966 THRU 47746

NOTE. PARTS MARKED * ARE INCLUDED IN SK172-11

Cowling (Cont)

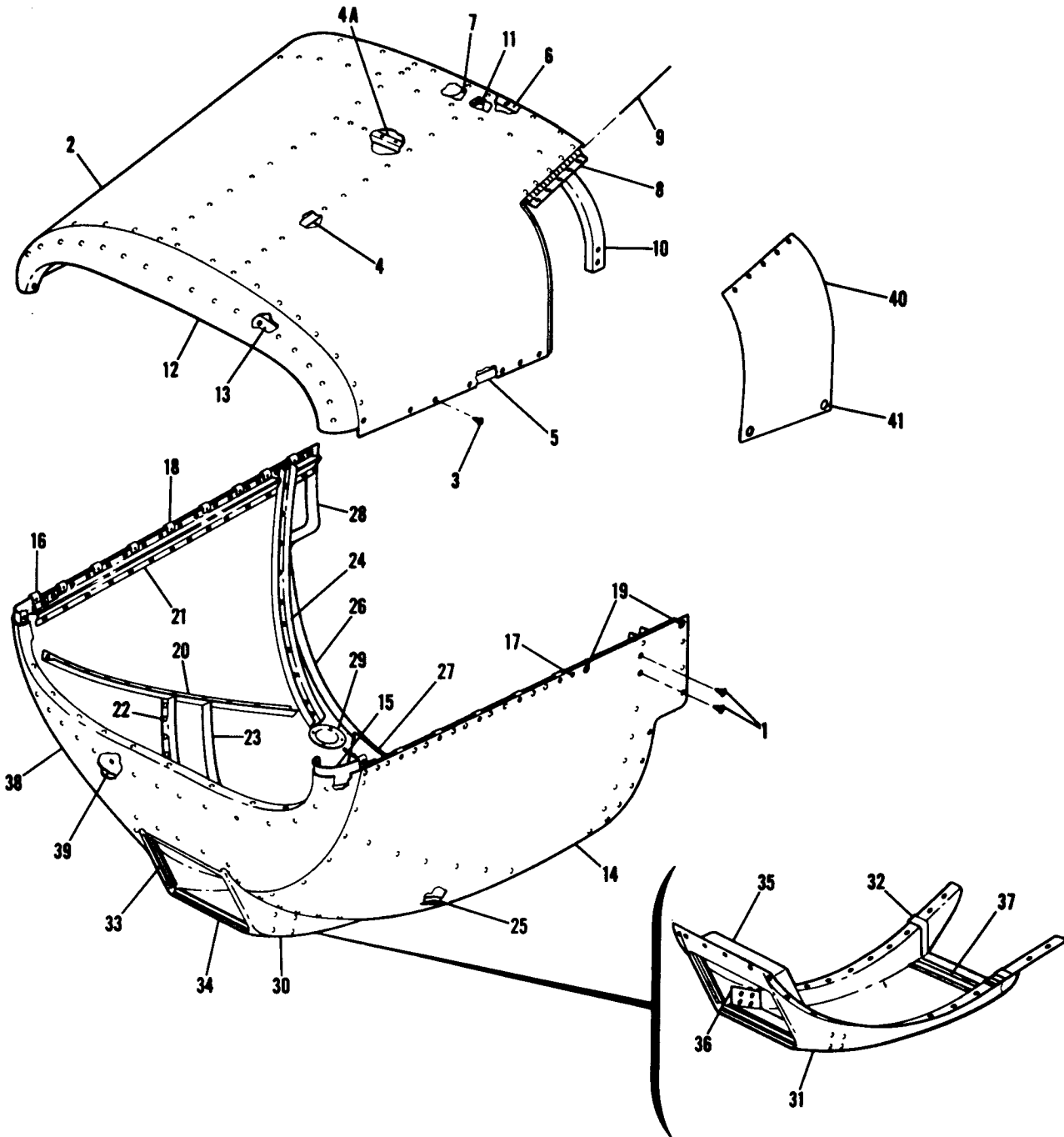


172 SERIAL 17247747 THRU 17249544

Figure 55A. Cowl Assembly

FIGURE AND INDEX NO.	PART NUMBER	DESCRIPTION	UNITS PER ASSY	USABLE ON CODE
		1 2 3 4 5 6 7		
55A-		COWL ASSEMBLY-ENGINE ATTACHING PARTS	NP	A
- 1	S-10212-8-8	SCREW CESSNA STANDARD	27	
- 2	0552010-52	COWL ASSEMBLY-LOWER LESS NOSE CAP	1	
- 3	0552010-7	SPOT WELD ASSEMBLY-LH	1	
- 4	0552010-21	DOUBLER	1	
- 5	0552003-39	DOUBLER	1	
- 6	0552010-8	SPOT WELD ASSEMBLY-RH	1	
- 7	0552010-22	DOUBLER	1	
	0552003-39	DOUBLER	1	
- 8	0552010-26	STIFFENER-RH	1	
	0552010-25	STIFFENER-LH	1	
- 9	0552010-43	AIR SCOOP	1	
- 10	0552010-44	LIP-COWL	1	
- 11	A1788-8Z-1	NUT TIN	12	
- 12	A6191-8Z-1	NUT TIN	2	
- 13	0552010-53	COWL ASSEMBLY-UPPER LESS DOOR ATTACHING PARTS	1	
- 14	AN515-8R8	SCREW	16	
- 15	S-10212-8-8	SCREW CESSNA STANDARD	14	
- 16	99833-P-.098	RECEPTACLE-STUD MKL	2	
- 17	0552010-6	SPOTWELD ASSEMBLY	1	
- 18	0552010-18	DOUBLER-DOOR OPENING	1	
- 19	0552010-20	DOUBLER	1	
- 20	0552010-27	DOUBLER-LH	1	
- 21	0552010-28	DOUBLER-RH	1	
- 22	0552010-14	HINGE ASSEMBLY	1	
	0552010-42	PIN-HINGE	1	
- 23	0552010-17	SKIN-NOSE CAP	1	
- 24	0552010-38	STIFFENER-LH	1	
	0552010-39	STIFFENER-RH	1	
- 25	0552010-47	STIFFENER	2	
- 26	0552010-4	NOSE CAP ASSEMBLY-LOWER	1	
- 27	NAS697A08	NUTPLATE	12	
- 28	NAS698A08	NUT-ANCHOR	2	
- 29	0552010-45	DOUBLER-LH	1	
- 30	0552010-46	DOUBLER-RH	1	
- 31	0552010-49	DOOR ASSEMBLY	1	
- 32	W98292-2-180	STUD-MKL	2	
	99836	PIN MKL	2	
	99874-1	GROMMET MKL	2	
	121615	FILTER-CARBURETOR AIR INTAKE AMA	1	A
	121615-06	GASKET-CARBURETOR AIR INTAKE AMA	1	
A---172 SERIAL 17247747 THRU 17249544				

Cowling (Cont)

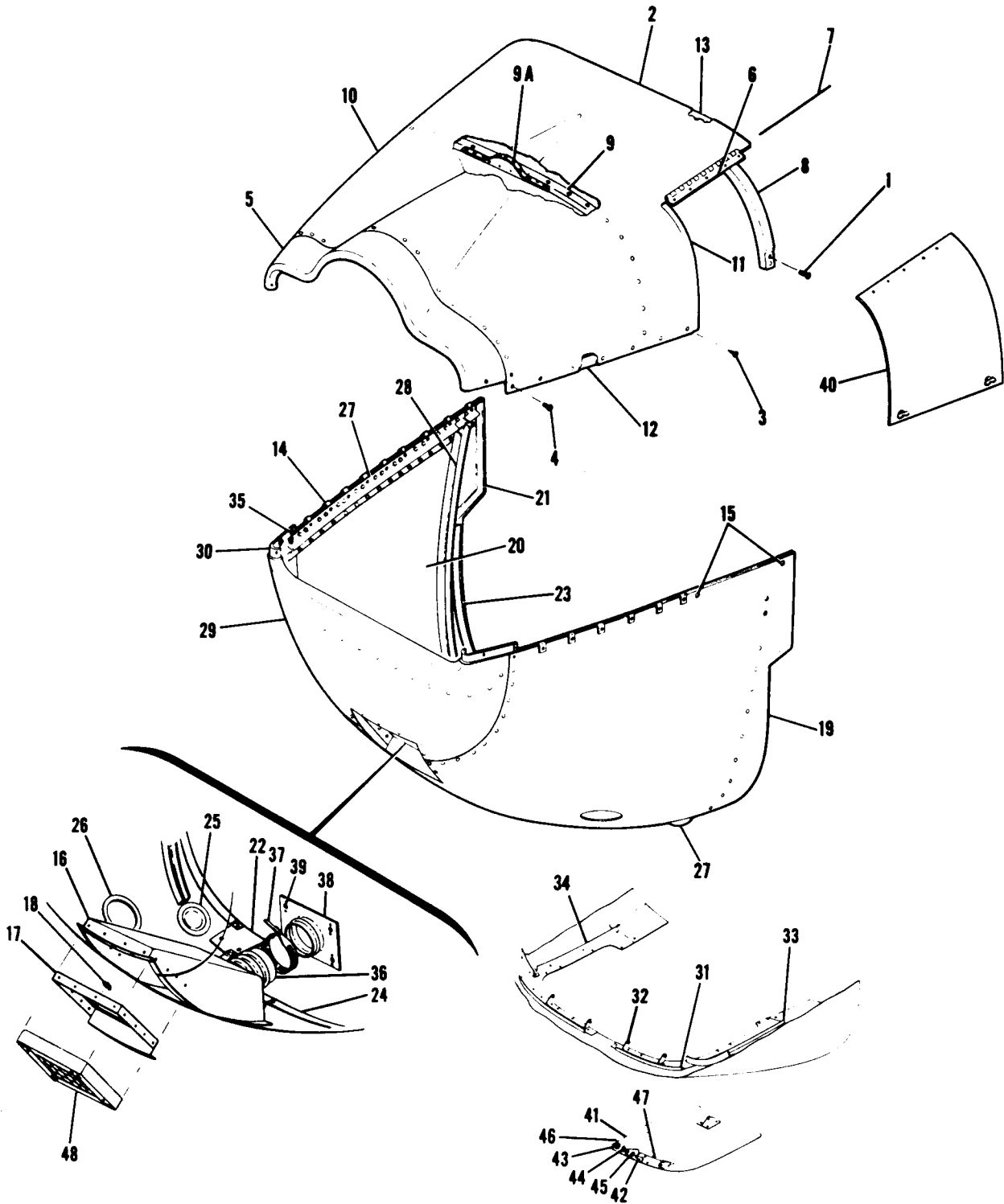


175 SERIAL 55001 THRU 56238

Figure 56. Engine Cowling Assembly

FIGURE AND INDEX NO.	PART NUMBER	DESCRIPTION	UNITS PER ASSY	USABLE ON CODE
		1 2 3 4 5 6 7		
56-	0552003-34	COWL ASSEMBLY-ENGINE ATTACHING PARTS	1	A
- 1	AN520-416R10	SCREW	16	
- 2	0595000-7	COWL ASSEMBLY-UPPER ATTACHING PARTS	1	
- 3	S-1021Z-8-8 S-1021Z-8-8 AN520-10R6	SCREW CESSNA STANDARD SCREW CESSNA STANDARD SCREW	18 16 2	B C C
- 4	0595000-8	COWL ASSEMBLY LESS NOSE CAP	1	
- 4A	0552003-29	ANGLE-UPPER COWL TOP	2	
	0552003-75	ANGLE	1	
- 5	0552003-9	SPOTWELD ASSEMBLY-UPPER COWL	NP	
	0552003-10	DOUBLER-UPPER COWL LH	1	
- 6	0552003-13	DOUBLER-UPPER COWL RH	1	
- 7	0552003-51	DOUBLER-UPPER COWL AFT	1	
- 8	0552003-26	DOUBLER-UPPER COWL CENTER	1	
- 9	0552003-28	HINGE ASSEMBLY-UPPER COWL	1	
- 10	0552003-69	PIN-HINGE	1	
- 11	0552003-73	CHANNEL-COWL HANGER	1	
	0552003-74	BRACKET-LH	1	
	0552003-65	BRACKET-RH	1	
- 12	0552003-4	NOSE CAP ASSEMBLY-UPPER COWL	1	
- 13	0552003-52	SKIN-NOSE CAP	1	
- 14	0552003-35	DOUBLER-NOSE CAP	1	
- 15	0552003-79	COWL ASSEMBLY-LOWER	1	
	0552003-80	DOUBLER-LOWER COWL FRONT LH	1	
	NAS697A3	DOUBLER-LOWER COWL FRONT RH	1	
- 16	NAS395-18-3	NUT ANCHOR KNM	4	
	0595000-9	NUT TIN A1787-8Z-3	1	
- 17	NAS444-4	COWL ASSEMBLY-LOWER-LESS NOSE CAP	1	
- 18	A6455-8Z-3	NUT TIN A8580-8Z-3 LH ONLY	1	
- 19	244-16D	NUT TIN	13	
- 20	0552003-56	RECEPTACLE CLC LH ONLY	2	
	0552003-55	ANGLE-STIFFENER RH	1	
- 21	0552003-58	ANGLE-STIFFENER LH	1	
	0552003-57	DOUBLER-SIDE RH	1	
- 22	0552003-60	DOUBLER-SIDE LH	1	
	0552003-59	ANGLE-STIFFENER RH	1	
- 23	0552003-62	ANGLE-STIFFENER LH	1	
	0552003-61	ANGLE-STIFFENER RH	1	
- 24	0552003-68	ANGLE-STIFFENER LH	1	
	0552003-67	CHANNEL-COWL HANGER RH	1	
	0552003-47	CHANNEL-COWL HANGER LH	1	
	0552003-48	SPOTWELD ASSEMBLY-LOWER COWL LH	1	
- 25	0552003-39	SPOTWELD ASSEMBLY-LOWER COWL RH	1	
- 26	0552003-42	DOUBLER-EXHAUST OPENING	1	
	0552003-43	DOUBLER-REAR RH	1	
- 27	0552003-64	DOUBLER-REAR LH	1	
	0552003-63	PATCH-LOWER COWL REAR RH	1	
- 28	0552003-70	PATCH-LOWER COWL REAR LH	1	
- 29	0552003-72	DOUBLER-LOWER COWL	1	
- 30	0552003-49	CUP-LOWER COWL	1	
- 31	0552003-37	SCOOP ASSEMBLY-AIR	1	
- 32	0552003-38	SCOOP-AIR	1	
- 33	0450234-14	DOUBLER-AIR SCOOP	1	
- 34	0450234-28	RUB STRIP-SIDE	2	
- 35	0552003-50	RUB STRIP-TOP & BOTTOM	2	
- 36	0552003-54	RETAINER-AIR SCOOP	1	
- 37	0552003-71	DOUBLER-AIR SCOOP	1	
	0552003-66	BRACE-AIR SCOOP	1	
- 38	0552003-36	NOSE CAP ASSEMBLY-LOWER COWL	1	
- 39	0552003-53	SKIN-NOSE CAP	1	
- 40	0552003-27	DOUBLER-NOSE CAP	1	
- 41	4002-4W	DOOR ASSEMBLY-UPPER COWL	1	
	R4G	STUD-DOOR-CLC	2	
	4002-G	SNAP RING-DOOR-CLC	2	
		GROMMET-DOOR CLC	2	
		A---175 SERIAL 55001 THRU 56238		
		B---175 SERIAL 55001 THRU 55749		
		C---175 SERIAL 55001 THRU 56238		

Cowling (Cont)



175 SERIAL 56239 THRU 17557119

Figure 56A. Engine Cowling Assembly



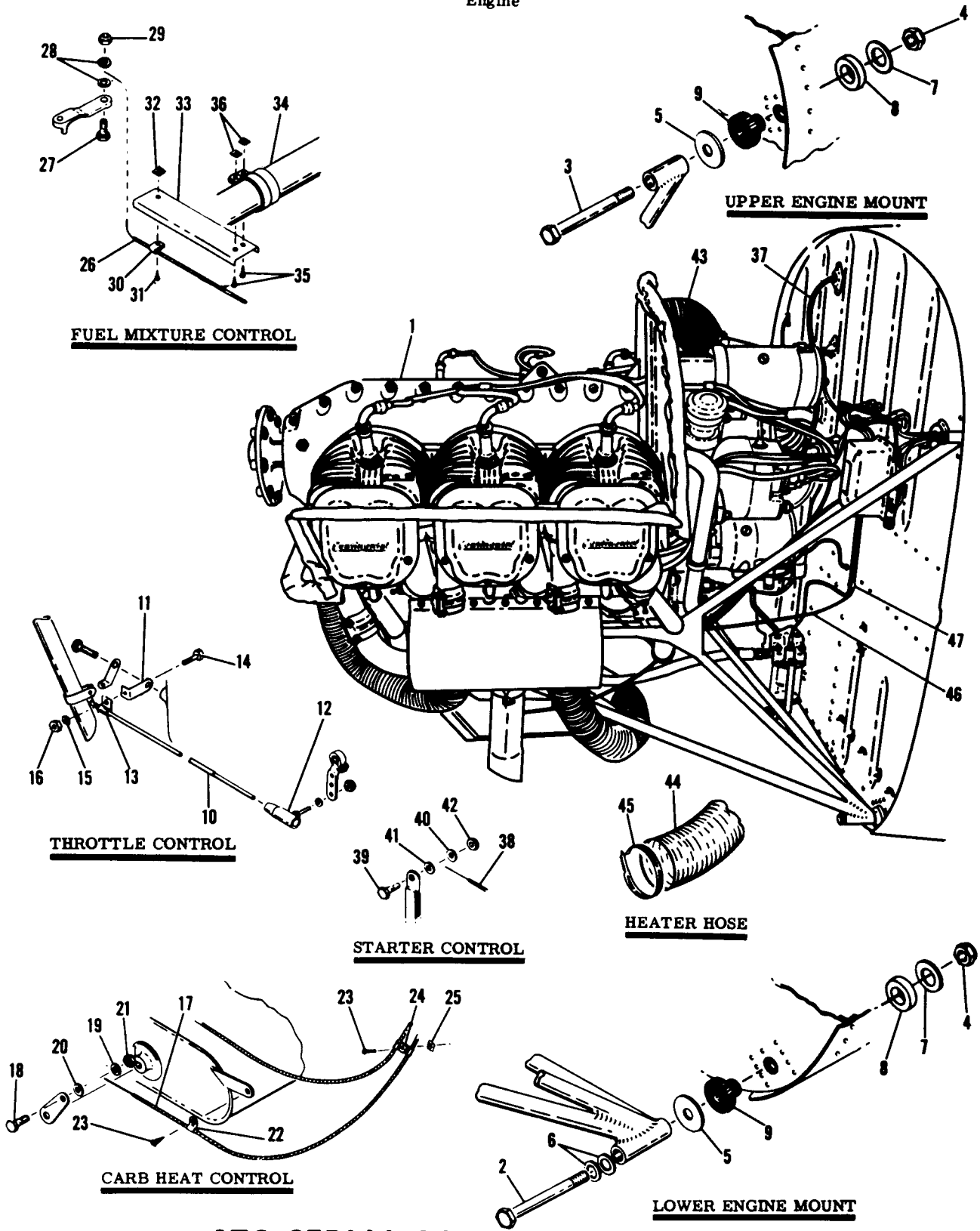
FIGURE AND INDEX NO.	PART NUMBER	DESCRIPTION	UNITS PER ASSY	USABLE ON CODE
56A-		COWL ASSEMBLY-ENGINE	1	A
		ATTACHING PARTS		
- 1	AN520-416R10	SCREW	14	
		175 SERIAL 56239		
		THRU 17557119		
- 2	0552007-55	COWL ASSEMBLY-UPPER	1	
		ATTACHING PARTS		
- 3	S-1021Z-8-8	SCREW CESSNA STANDARD	15	
- 4	AN520-10R6	SCREW	8	
- 5	0552007-13	SKIN-NOSE CAP UPPER	1	
	0552007-56	COWL ASSEMBLY UPPER-LESS NOSE CAP	1	
- 6	0552003-26	HINGE ASSEMBLY	1	
- 7	0552003-28	PIN-HINGE	1	
- 8	0552007-43	CHANNEL-UPPER	1	
- 9	0552007-48	ANGLE	1	
- 9A	0552007-35	STIFFENER	1	
- 10	0552007-53	SPOTWELD ASSEMBLY	1	
- 11	0552007-32	DOUBLER-HINGE	1	
- 12	0552007-37	DOUBLER-SIDE LH	1	
	0552007-38	DOUBLER-SIDE RH	1	
- 13	0552007-54	DOUBLER-UPPER AFT	1	
	0552007-2	COWL ASSEMBLY-LOWER	1	C
	0552007-200	COWL ASSEMBLY-LOWER LESS COWL FLAPS	1	B
- 14	A1788-8Z-3	NUT TIN	15	
- 15	99833-C.098	RECEPTACLE-STUD MKL	2	
- 16	0552007-17	SCOOP ASSEMBLY-AIR	1	
- 17	0552007-18	PAN ASSEMBLY-AIR FILTER	1	
- 18	99871-C.098	RECEPTACLE-STUD MKL	4	
- 19	0552007-21	SPOTWELD ASSEMBLY LH	1	C
	0552007-77	SPOTWELD ASSEMBLY RH	1	B
- 20	0552007-22	SPOTWELD ASSEMBLY RH	1	C
	0552007-78	SPOTWELD ASSEMBLY RH	1	B
- 21	0552007-24	DOUBLER	1	
- 22	0552007-26	DOUBLER AFT RH	1	
	0552007-25	DOUBLER AFT LH	1	
- 23	0552007-28	DOUBLER RH	1	
- 24	0552007-27	DOUBLER LH	1	
- 25	0552003-72	CUP	1	
- 26	0552003-39	DOUBLER-EXHAUST OPENING	1	
- 27	0552007-30	STIFFENER RH	1	
	0552007-29	STIFFENER LH	1	
- 28	0552007-42	CHANNEL RH	1	
	0552007-41	CHANNEL LH	1	
- 29	0552007-4	NOSE CAP ASSEMBLY-LOWER	1	
- 30	0552007-15	DOUBLER-NOSE CAP	1	
- 31	0552007-73	STIFFENER LH	1	B
	0552007-74	STIFFENER RH	1	B
- 32	0552007-69	HINGE HALF LH	1	B
	0552007-70	HINGE HALF RH	1	B
- 33	0552007-67	DOUBLER LH	1	B
- 34	0552007-68	DOUBLER RH	1	B
- 35	NAS697A3	NUT	8	
- 36	S-1053K28W	HOSE 4.3 IN. LG BULK ITEM REF S-1053K28W4.3	1	
		ATTACHING PARTS		
- 37	NAS398-54	CLAMP	2	
- 38	0552007-6	COUPLING PLATE	1	
- 39	99871-C.098	RECEPTACLE-STUD MKL	4	D
	312-12	RECEPTACLE-STUD CLC	4	E

CONTINUED ON PAGE 190

FIGURE AND INDEX NO.	PART NUMBER	DESCRIPTION	UNITS PER ASSY	USABLE ON CODE		
					1	2
56A- 40	0552007-5	DOOR ASSEMBLY -----	1			
	W98292-2180	STUD-----MKL -----	2			
	99836	CROSS PIN-----MKL -----	2			
	99874-1	GROMMET MKL -----	2			
	- 41	0552007-59	COWL FLAP ASSEMBLY LH-----	1	B	
	0552007-60	COWL FLAP ASSEMBLY RH-----	1	B		
			ATTACHING PARTS			
	- 42	AN24-8	BOLT -----	2	B	
	- 43	AN320-4	NUT -----	2	B	
	- 44	AN960-416L	WASHER-----	2	B	
	- 45	AN960-416L	WASHER-----	2	B	
	- 46	MS24665-134	COTTER PIN -----	2	B	
- 47	0552007-71	HINGE HALF LH -----	1	B		
	0552007-72	HINGE HALF RH -----	1	B		
- 48	120009	AIR FILTER AMA-----	1			
	120009-06	GASKET-AIR FILTER AMA -----	1			
<p>NOTE.*FOR COMPLETE COWL ASSEMBLY, ORDER UPPER & LOWER COWL ASSEMBLIES AS SERIALIZED IN THIS LISTING.</p> <p>A---175 SERIAL 56239 THRU 17557119 B---175 SERIAL 17557003 THRU 17557119 C---175 SERIAL 56239 THRU 17557002 D---175 SERIAL 56239 THRU 17556762 E---175 SERIAL 17556763 THRU 17557119</p>						

This page intentionally left blank.

Engine



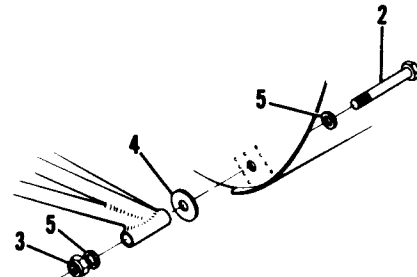
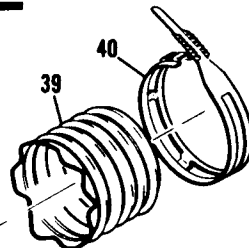
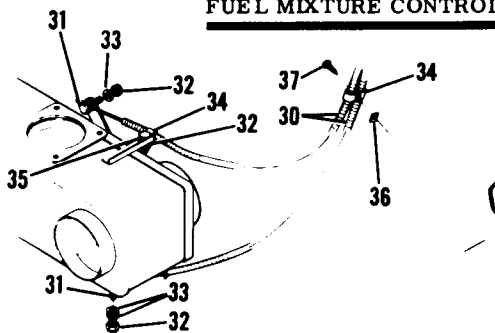
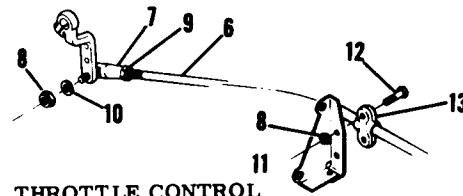
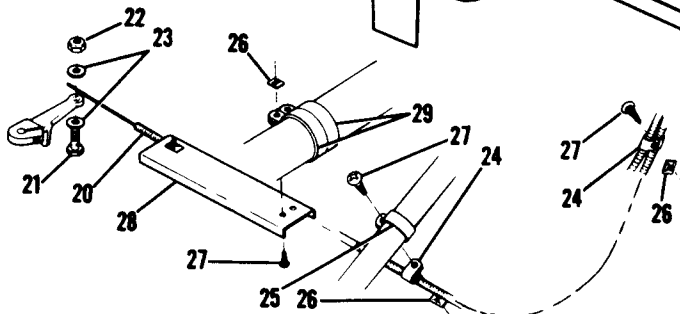
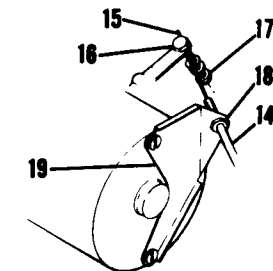
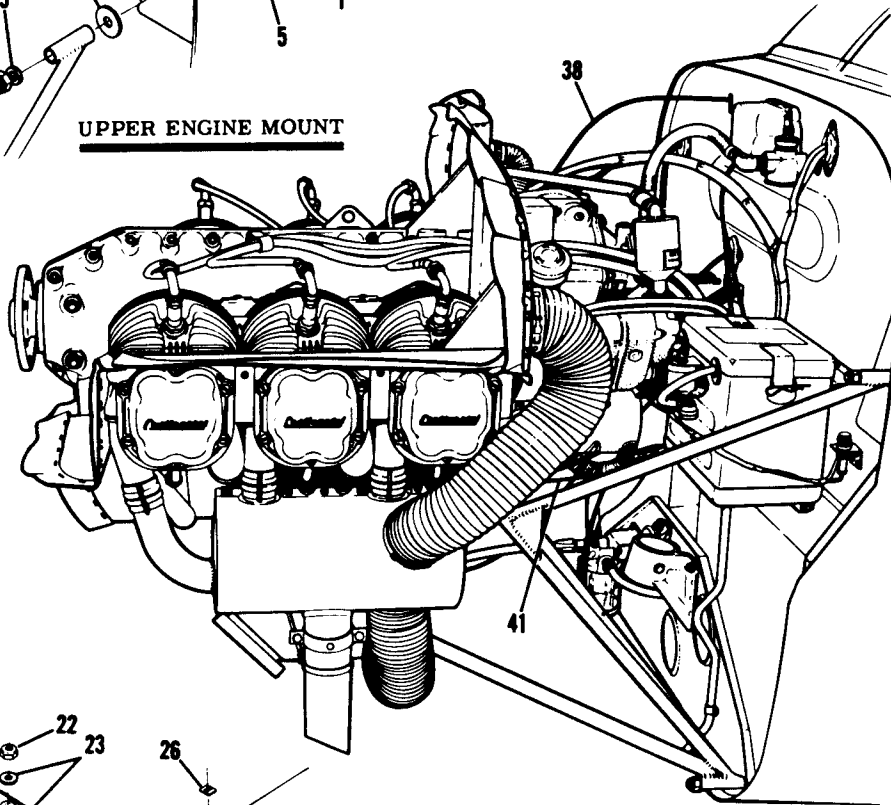
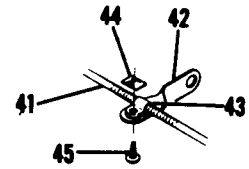
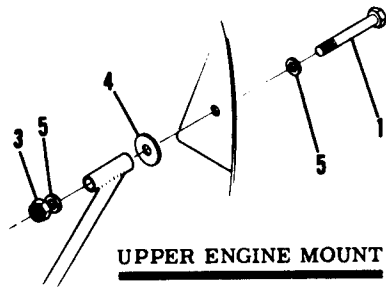
172 SERIAL 28000 THRU 47746

Figure 57. Engine Installation

FIGURE AND INDEX NO.	PART NUMBER	DESCRIPTION	UNITS PER ASSY	USABLE ON CODE
57-		ENGINE INSTALLATION-CONTINENTAL -----	NP	A
- 1		ENGINE ASSEMBLY-CONTINENTAL SEE FIGURE 59 -----	NP	
		ATTACHING PARTS -----		
- 2	AN6-33A	BOLT -----	2	
- 3	AN6-22A	BOLT -----	2	
- 4	MS20365-624C	NUT -----	4	
- 5	0550156	WASHER -----	4	
- 6	AN960-616	WASHER -----	4	
- 7	0550153-1	WASHER -----	4	
- 8	0550154-2	PAD -----	4	
- 9	0550155	BUSHING -----	4	
- 10	0411091-9	CONTROL ASSEMBLY-THROTTLE -----	1	
		ATTACHING PARTS -----		
- 11	0550100-5	BRACKET-THROTTLE CONTROL -----	1	
- 12	S-1186-1	BALL JOINT CESSNA STANDARD -----	1	
- 13	0450191-1	CLAMP -----	1	
- 14	AN3-7A	BOLT -----	2	
- 15	AN960-10L	WASHER -----	2	
- 16	MS20365-1032C	NUT -----	2	
- 17	0411090-22	CONTROL-CARBURETOR HEAT REF 0411090-8 -----	1	
		ATTACHING PARTS -----		
- 18	0450311	CLAMP -----	1	
- 19	AN960-10	WASHER -----	2	
- 20	AN960-10L	WASHER -----	1	
- 21	MS20365-1032C	NUT -----	1	
- 22	A2981A-3-27	CLAMP TIN -----	1	
- 23	S-10212-8-6	SCREW CESSNA STANDARD -----	2	
- 24	A2980A-8-6	CLAMP TIN -----	2	
- 25	NAS446-4-3	NUT TIN A1778-8Z-3 -----	1	
- 26	0411090-22	CONTROL-CARBURETOR MIXTURE REF 0411090-8 -----	1	
		ATTACHING PARTS -----		
- 27	0450311-2	CLAMP -----	1	
- 28	AN960-416L	WASHER -----	2	
- 29	MS20365-428C	NUT -----	1	
- 30	A2980A-2-27	CLAMP TIN -----	1	
- 31	S-10212-8-6	SCREW CESSNA STANDARD -----	1	
- 32	NAS446-4-3	NUT TIN A1778-8Z-3 -----	1	
- 33	0550100-4	BRACKET-MIXTURE CONTROL -----	1	
		ATTACHING PARTS -----		
- 34	A3052A-20-27	CLAMP TIN -----	2	
- 35	S-10212-8-6	SCREW CESSNA STANDARD -----	2	
- 36	NAS446-4-3	NUT TIN A1778-8Z-3 -----	2	
- 37	49166	CLAMP-TACHOMETER SHAFT SUPPORT-----UC -----	1	
- 38	0513142-7	CONTROL-STARTER REF 0513142-1 -----	1	
		ATTACHING PARTS -----		
- 39	0450311	CLAMP -----	1	
- 40	AN960-10	WASHER -----	1	
- 41	AN960-10L	WASHER -----	1	
- 42	MS20365-1032C	NUT -----	1	
- 43	S-53E24T	HOSE 20.5 IN LG BULK ITEM REF S-53E24T20.5 -----	1	
		ATTACHING PARTS -----		
	NAS398-50	CLAMP -----	2	
- 44	S-1053K24T	HOSE 19.5 IN LG BULK ITEM REF S-1053K24T19.5 -----	1	
		ATTACHING PARTS -----		
- 45	NAS398-50	CLAMP -----	2	
- 46	AN4022-1	NIPPLE-PRIMING JET -----	1	
	0500106-22	LINE ASSEMBLY-PRIMER -----	1	
		ATTACHING PARTS -----		
- 47	A2980A-2-27	CLAMP TIN -----	3	
	S-10212-8-6	SCREW CESSNA STANDARD -----	2	
	NAS446-4-3	NUT TIN A1778-8Z-3 -----	2	

		A---172 SERIAL 28000 THRU 47746		
		S-PART NOS. APPEARING ON THIS PAGE ARE CESSNA STANDARDS.		

Engine (Cont)



172 SERIAL 17247747 THRU 17249544

Figure 57A. Engine Installation

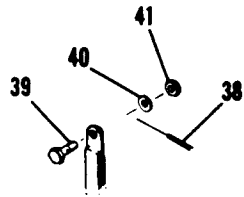
FIGURE AND INDEX NO.	PART NUMBER	DESCRIPTION	UNITS PER ASSY	USABLE ON CODE
		1 2 3 4 5 6 7		
57A-		ENGINE INSTALLATION-CONTINENTAL ----- ENGINE ASSEMBLY-CONTINENTAL SEE FIGURE 59A ----- ATTACHING PARTS -----	NP NP	A
- 1	AN6-25A	BOLT ----- 172 SERIAL -----	2	
- 2	AN6-32A	BOLT ----- 17247747 THRU -----	2	
- 3	MS20365-624C	NUT ----- 17249544 -----	4	
- 4	0550156	WASHER -----	4	
- 5	AN960-616	WASHER -----	8	
- 6	S-1222-2	CONTROL-THROTTLE-----CESSNA STANDARD ----- ATTACHING PARTS -----	1	
- 7	S-1186-1	BALL JOINT CESSNA STANDARD-----	1	
- 8	MS20365-1032C	NUT -----	3	
- 9	AN315-3	NUT -----	1	
- 10	AN960-10	WASHER-----	2	
- 11	0550185-1	BRACKET -----	1	
- 12	AN3-7A	BOLT -----	2	
- 13	S-351	CLAMP CESSNA STANDARD -----	2	
- 14	0513188-1	TUBE-STARTER CONTROL -----	1	
- 15	0513187-3	CONTROL ASSEMBLY-STARTER REF 0513187-1 ----- ATTACHING PARTS -----	1	
- 16	0450311-5	CLAMP -----	1	
- 17	MS20365-1032C	NUT -----	1	
	AN960-10	WASHER-----	2	
- 18	AN315-3R	NUT -----	4	
- 19	0550184-1	BRACKET ASSEMBLY-STARTER -----	1	
- 20	0713302-7	CONTROL ASSEMBLY-FUEL MIXTURE REF 0513159-18 ----- ATTACHING PARTS -----	1	
- 21	0450311-2	CLAMP -----	1	
- 22	MS20365-428C	NUT -----	1	
- 23	AN960-416	WASHER-----	2	
- 24	AN742D3	CLAMP -----	4	
- 25	AN742D10	CLAMP -----	1	
- 26	NAS446-4-3	NUT -----	5	
- 27	S-1021Z-8-6	SCREW CESSNA STANDARD -----	5	
- 28	0550100-4	BRACKET -----	1	
- 29	AN735D20	CLAMP -----	2	
	0550100-6	BRACKET -----	1	
	A-2981-3-27 *	CLAMP TIN -----	1	
	S-1021Z-8-10 *	SCREW -----	1	
- 30	0513183-1	CONTROL-CARBURETOR HEAT ----- ATTACHING PARTS -----	1	
- 31	0450311-5	CLAMP -----	2	
- 32	MS20365-1032C	NUT -----	3	
- 33	AN960-10	WASHER-----	3	
- 34	AN742D3	CLAMP -----	3	
- 35	AN3-3A	BOLT -----	1	
- 36	NAS446-4-3	NUT -----	1	
- 37	S-1021Z-8-6	SCREW CESSNA STANDARD -----	1	
- 38	0713302-5	CONTROL-CABIN HEAT REF 0513159-16 ----- ATTACHING PARTS -----	1	
	0450311-5	CLAMP -----	1	
	MS20365-1032C	NUT -----	1	
	AN960-10	WASHER-----	2	
- 39	S-1053K32T	HOSE 20.0 IN LG BULK ITEM REF S-1053K32T20.0 ----- ATTACHING PARTS -----	1	
- 40	NAS398-66	CLAMP -----	2	
- 41	0500106-304	LINE-PRIMER----- ATTACHING PARTS -----	1	
	AN4022-1	NIPPLE-PRIMING JET -----	1	
- 42	0550100-9	BRACKET -----	1	
- 43	AN742D3	CLAMP -----	1	
- 44	NAS446-4-3	NUT -----	1	
- 45	S-1021Z-8-6	SCREW CESSNA STANDARD -----	1	

NOTE. * USED ON FLOATPLANE WHEN OIL COOLER IS INSTALLED.

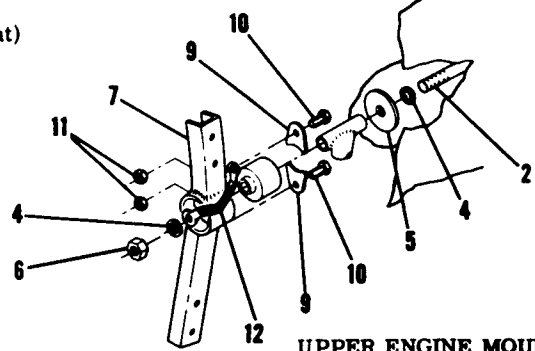
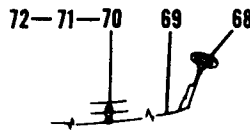
A---172 SERIAL 17247747 THRU 17249544

S-PART NOS. APPEARING ON THIS PAGE ARE CESSNA STANDARDS.

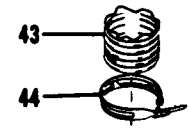
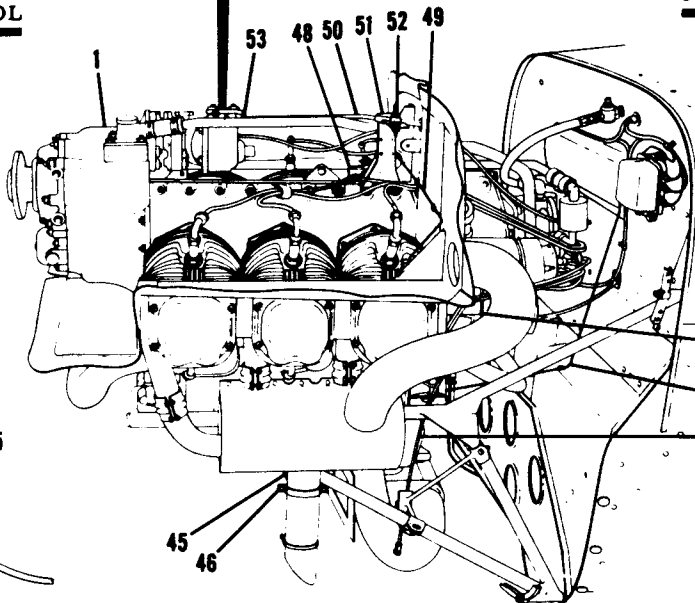
Engine (Cont)



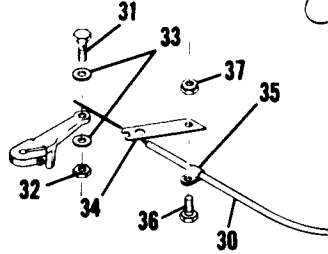
STARTER CONTROL



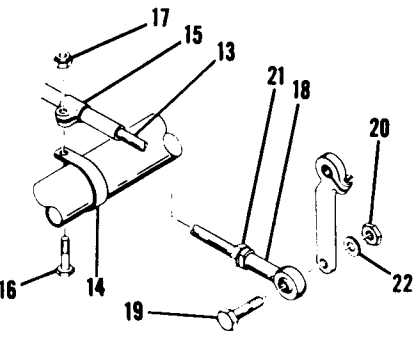
UPPER ENGINE MOUNT



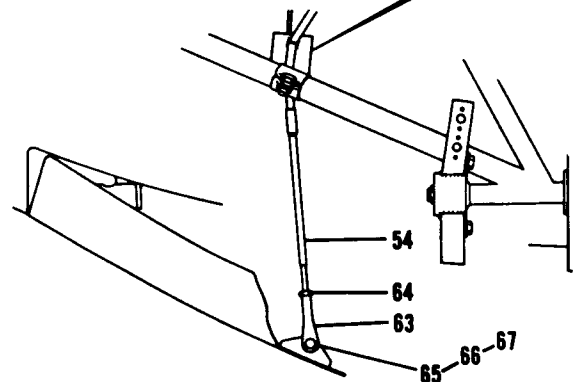
HEATER HOSE



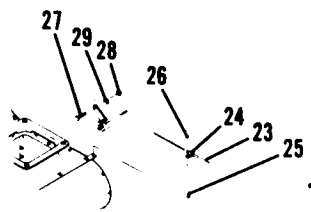
FUEL MIXTURE CONTROL



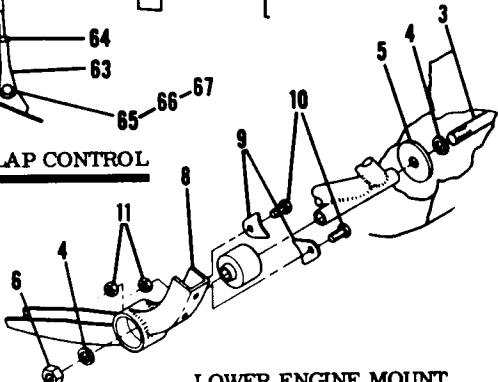
THROTTLE CONTROL



COWL FLAP CONTROL



CARB HEAT CONTROL



LOWER ENGINE MOUNT

**175 SERIAL 55001
THRU 17557119**

Figure 58. Engine Installation

FIGURE AND INDEX NO.	PART NUMBER	DESCRIPTION	UNITS PER ASSY	USABLE ON CODE
		1 2 3 4 5 6 7		
58-		ENGINE INSTALLATION -----	NP	A
- 1		ENGINE ASSEMBLY SEE FIGURE 60 -----	NP	B
		ENGINE ASSEMBLY SEE FIGURE 60A -----	NP	E
		ATTACHING PARTS -----		
- 2	AN6-35A	BOLT -----	2	
- 3	AN6-47A	BOLT -----	2	
- 4	AN960-616	WASHER -----	8	
- 5	0550156	WASHER-ENGINE MOUNT -----	4	
- 6	MS20365-624C	NUT -----	4	
		-----*		
- 7	0551013-1	MOUNT ASSEMBLY-UPPER LH -----	1	
	0551013-2	MOUNT ASSEMBLY-UPPER RH -----	1	
- 8	0551013-3	MOUNT ASSEMBLY-LOWER LH -----	1	
	0551013-4	MOUNT ASSEMBLY-LOWER RH -----	1	
- 9	0551009-1	LATCH PLATE-MOUNTING -----	2	
- 10	AN3-3A	BOLT -----	2	
- 11	MS20365-1032C	NUT -----	2	
- 12	0551012-1	STRAP-GROUND -----	1	
	NAS1068A4	NUTPLATE KNM -----	4	
-12A	0551011-1	RUBBER SHOCKMOUNT -----	1	
- 13	0411091-24	CONTROL ASSEMBLY-THROTTLE -----	1	C
	0411091-30	CONTROL ASSEMBLY-THROTTLE -----	1	D
	0411091-32	CONTROL ASSEMBLY-THROTTLE -----	1	E
		ATTACHING PARTS -----		
- 14	684-3-11-20-P	CLAMP AP -----	1	
- 15	0450191-1	CLAMP-3/8 TUBE -----	1	
- 16	AN3-20A	BOLT -----	1	
- 17	MS20365-1032C	NUT -----	1	
- 18	S-1106-4	ROD END CESSNA STANDARD -----	1	
- 19	AN4-10A	BOLT -----	1	
- 20	MS20365-428C	NUT -----	1	
- 21	AN315-4R	NUT -----	1	
- 22	AN960C416L	WASHER -----	1	
		-----*		
- 23	0411090-22	CONTROL-CARBURETOR HEAT REF 0411090-28 -----	1	C
	0713302-5	CONTROL-CARBURETOR HEAT REF 0513159-5 -----	1	D
	0713302-5	CONTROL-CARBURETOR HEAT REF 0513159-11 -----	1	K
	0513183-2	CONTROL-CARBURETOR HEAT -----	1	J
		ATTACHING PARTS -----		
- 24	AN742D3	CLAMP -----	2	
- 25	AN3-4A	BOLT -----	1	
- 26	MS20365-1032C	NUT -----	1	
- 27	0450311-5	CLAMP-CONTROL WIRE -----	1	
- 28	MS20365-1032C	NUT -----	1	
- 29	AN960-10	WASHER -----	1	
		-----*		
- 30	0411090-22	CONTROL-CARBURETOR MIXTURE REF 0411090-27 -----	1	C
	0713302-7	CONTROL-CARBURETOR MIXTURE REF 0513159-8 -----	1	D
	0713302-7	CONTROL-CARBURETOR MIXTURE REF 0513159-10 -----	1	E
		ATTACHING PARTS -----		
- 31	0450311-4	CLAMP-CONTROL WIRE -----	2	
- 32	MS20365-428C	NUT -----	1	
- 33	AN960-416L	WASHER -----	2	
- 34	0750159-1	CLIP -----	1	
- 35	AN742D3	CLAMP -----	1	
- 36	AN3-4A	BOLT -----	1	
- 37	MS20365-1032C	NUT -----	1	
		-----*		
- 38	0513142-7	CONTROL-STARTER REF 0513142-2 -----	1	C
	0513171-1	CONTROL ASSEMBLY-STARTER -----	1	F
		ATTACHING PART -----		
- 39	0450311-5	CLAMP-CONTROL WIRE -----	1	
- 40	AN960-10	WASHER -----	1	
- 41	MS20365-1032C	NUT -----	1	
		-----*		
- 42	S-1053E24T	HOSE 19.0 IN LG BULK ITEM REF S-1053E24T19.0 -----	1	G
	S-1053E24T	HOSE 18.0 IN LG BULK ITEM REF S-1053E24T18.0 -----	1	K
		ATTACHING PARTS -----		
	NAS398-50	CLAMP -----	2	
		-----*		

S-PART NOS. APPEARING ON THIS PAGE ARE CESSNA STANDARDS.

CONTINUED ON PAGE 198



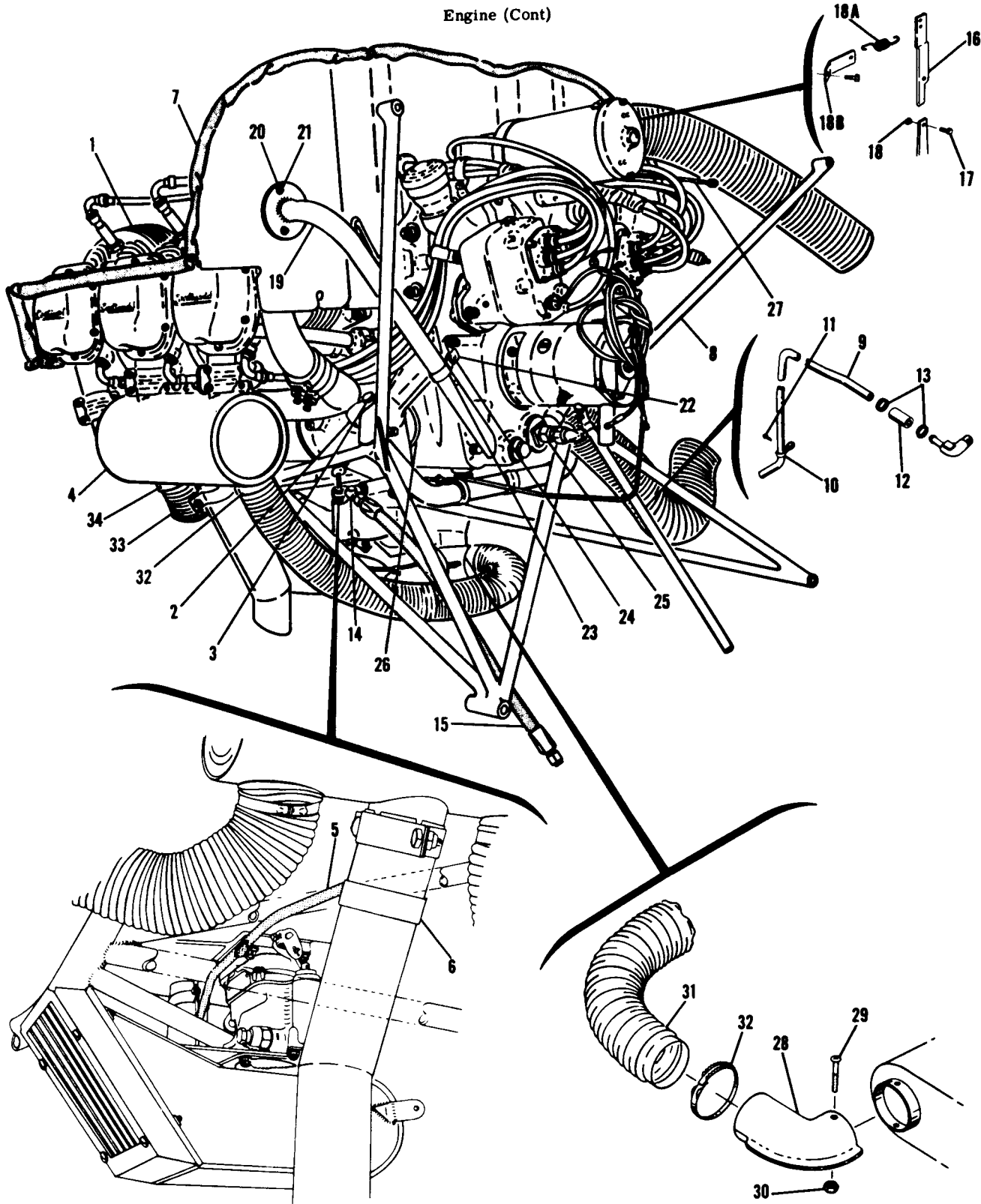
illustrated parts catalog

Models 172 & 175

FIGURE AND INDEX NO.	PART NUMBER	DESCRIPTION						UNITS PER ASSY	USABLE ON CODE
		1	2	3	4	5	6		
58- 43	S-1053K24T S-1053K24T	HOSE	33.0 IN LG	BULK ITEM	REF S-1053K24T33.0			1	G
		HOSE	26.0 IN LG	BULK ITEM	REF S-1053K24T26.0			1	K
		ATTACHING PARTS							
- 44	NAS398-50	CLAMP	-----	-----	-----	-----	-----	2	
	AN742D50	CLAMP	-----	-----	-----	-----	-----	1	
	A2981A-10-27	CLAMP	TIN	-----	-----	-----	-----	1	G
	NAS43D10	CLAMP	-----	-----	-----	-----	-----	1	E
	S-10212-8-8	SCREW	CESSNA STANDARD	-----	-----	-----	-----	1	
- 45	0550309-1	BRACE-EXHAUST TAIL PIPE	-----	-----	-----	-----	-----	1	B
		ATTACHING PARTS							
- 46	AN741-18P	CLAMP	-----	-----	-----	-----	-----	1	
	AN4-10A	BOLT	-----	-----	-----	-----	-----	1	
	AN960-416L	WASHER	-----	-----	-----	-----	-----	2	
	MS20365-428C	NUT	-----	-----	-----	-----	-----	1	
		ATTACHING PARTS							
	AN4022-1	NIPPLE-PRIMING JET	-----	-----	-----	-----	-----	1	
- 47	0500106-245	LINE ASSEMBLY-PRIMER	-----	-----	-----	-----	-----	1	H
- 48	0500106-309	LINE ASSEMBLY-PRIMER	BAFFLE TO NO. 1 CYLINDER	-----	-----	-----	-----	1	J
- 49	0500106-309	LINE ASSEMBLY-PRIMER	BAFFLE TO NO. 2 CYLINDER	-----	-----	-----	-----	1	J
- 50	0311031-8	CONTROL-PROPELLER PITCH	-----	-----	-----	-----	-----	1	L
		ATTACHING PARTS							
- 51	0550189-1	BRACKET	-----	-----	-----	-----	-----	1	L
- 52	S-351	CLAMP	CESSNA STANDARD	-----	-----	-----	-----	1	L
	AN3-6A	BOLT	-----	-----	-----	-----	-----	2	L
	MS20365-1032C	NUT	-----	-----	-----	-----	-----	2	L
	NAS43-3-9	SPACER	-----	-----	-----	-----	-----	2	L
		ATTACHING PARTS							
- 53	S-1186-1	BALL JOINT	CESSNA STANDARD	-----	-----	-----	-----	1	L
		ATTACHING PARTS							
	MS20365-1032C	NUT	-----	-----	-----	-----	-----	1	L
	AN315-3R	SCREW	-----	-----	-----	-----	-----	1	L
- 54	S-1298-1	CONTROL-COWL FLAPS	CESSNA STANDARD	-----	-----	-----	-----	1	L
		ATTACHING PARTS							
- 55	0550100-9	BRACKET	-----	-----	-----	-----	-----	2	L
- 56	NAS434-3D	CLAMP	-----	-----	-----	-----	-----	2	L
- 57	S-10212-8-8	SCREW	CESSNA STANDARD	-----	-----	-----	-----	2	L
- 58	AN520-10R26	SCREW	-----	-----	-----	-----	-----	4	L
- 59	MS20365-1032C	NUT	-----	-----	-----	-----	-----	4	L
- 60	AN960-10L	WASHER	-----	-----	-----	-----	-----	4	L
- 61	0713307-2	CLAMP	-----	-----	-----	-----	-----	2	L
- 62	0713307-1	MOUNT	-----	-----	-----	-----	-----	2	L
		ATTACHING PARTS							
- 63	AN665-21R	TERMINAL-CLEVIS	-----	-----	-----	-----	-----	2	L
- 64	AN315-3R	NUT	TERMINAL LOCKING	-----	-----	-----	-----	2	L
- 65	MS24665-132	PIN-COTTER	-----	-----	-----	-----	-----	2	L
- 66	AN960-10L	WASHER	-----	-----	-----	-----	-----	2	L
- 67	MS20392-2-13	PIN-FLATHEAD	-----	-----	-----	-----	-----	2	L
- 68	0311018-11	THERMOCOUPLE	CYLINDER HEAD TEMP	-----	-----	-----	-----	1	L
- 69	0311018-12	LEAD-THERMOCOUPLE	CYLINDER HEAD TEMP	-----	-----	-----	-----	1	L
		ATTACHING PARTS							
- 70	S-10212-6-6	SCREW	CESSNA STANDARD	-----	-----	-----	-----	1	L
- 71	NAS434D6	CLAMP	-----	-----	-----	-----	-----	1	L
- 72	0550100-8	BRACKET	-----	-----	-----	-----	-----	1	L
		ATTACHING PARTS							
		A---	175 SERIAL 55001 THRU 17557119						
		B---	175 SERIAL 55001 THRU 56238						
		C---	175 SERIAL 55001 THRU 55703						
		D---	175 SERIAL 55704 THRU 56238						
		E---	175 SERIAL 56239 THRU 17557119						
		F---	175 SERIAL 55704 THRU 17557119						
		G---	175 SERIAL 55001 THRU 56238						
		H---	175 SERIAL 55001 THRU 56777						
		J---	175 SERIAL 17556778 THRU 17557119						
		K---	175 SERIAL 56239 THRU 56777						
		L---	175 SER 17557003 THRU 17557119						
		S-PART NOS. APPEARING ON THIS PAGE ARE CESSNA STANDARDS.							

This page intentionally left blank.

Engine (Cont)



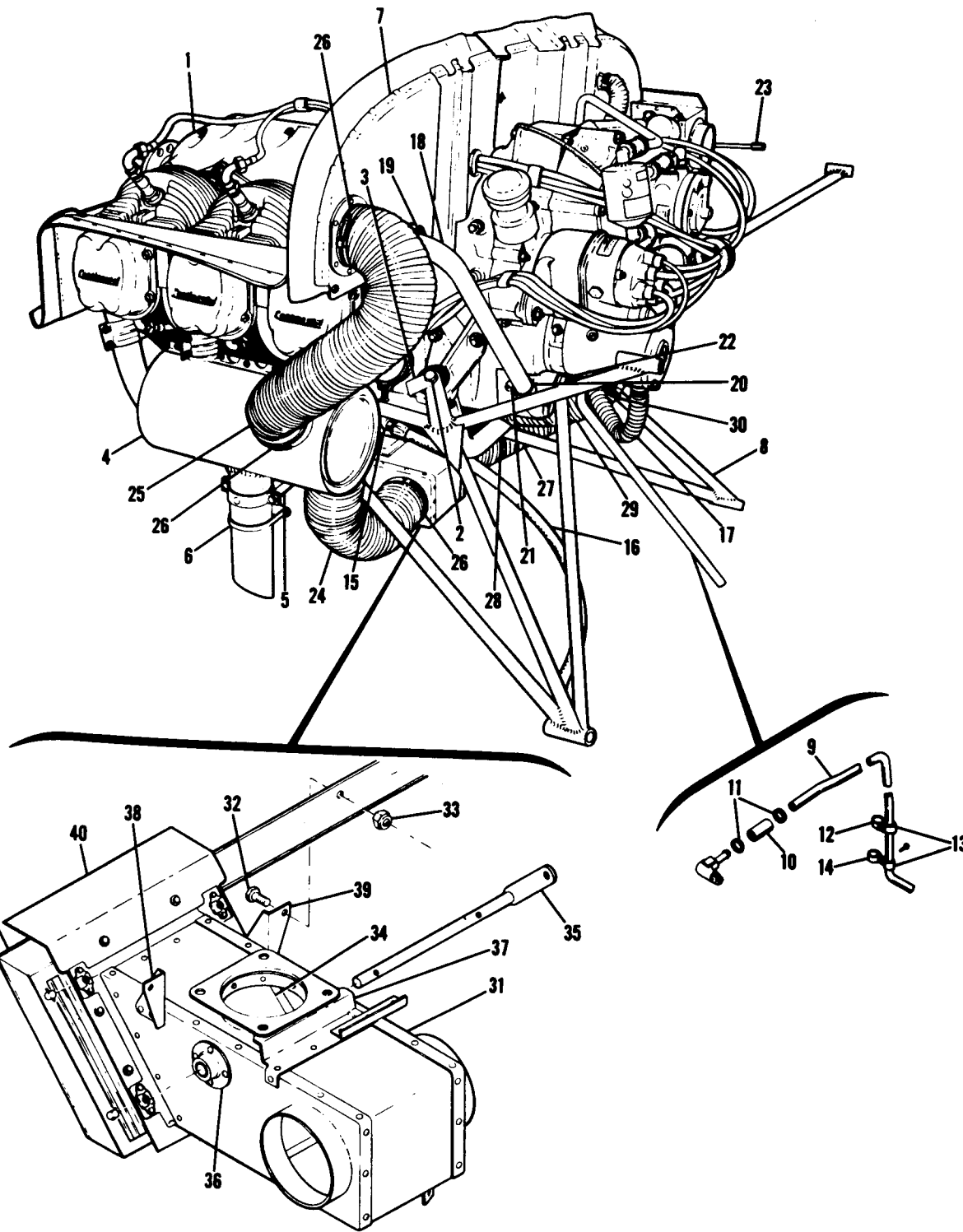
172 SERIAL 28000 THRU 47746

Figure 59. Engine Assembly



FIGURE AND INDEX NO.	PART NUMBER	DESCRIPTION	UNITS PER ASSY	USABLE ON CODE
59-		ENGINE ASSEMBLY-CONTINENTAL -----	NP	A
- 1	0-300-A	ENGINE-----CM -----	1	E
	0-300-C	ENGINE-----CM -----	1	D
		ATTACHING PARTS -----		
- 2	0550100-7	BONDING STRAP-ENGINE MOUNT-----	4	
- 3	AN7-27A	BOLT -----	4	
	AN960-716	WASHER-----	4	
	MS20365-720C	NUT -----	4	
		-----#-----		
- 4	0550157-34	STACK ASSEMBLY-EXHAUST RH -----SEE FIGURE 61 -----	1	
	0550157	STACK ASSEMBLY-EXHAUST LH -----SEE FIGURE 61 -----	1	
- 5	0550179-1	BRACE-EXHAUST STACK -----	1	
		ATTACHING PARTS -----		
- 6	684-3-11-36P	CLAMP ADEL -----	2	
	AN3-26A	BOLT -----	2	
	MS20365-428C	NUT -----	2	
	AN960-416L	WASHER-----	4	
		-----#-----		
- 7		BAFFLE INSTALLATION-ENGINE----- SEE FIGURE 63 -----	NP	
- 8	0551000-50	MOUNT ASSEMBLY-ENGINE-----	1	
- 9	0500106-28	LINE ASSEMBLY-BREATHER -----	1	
		ATTACHING PARTS -----		
- 10	NAS434D10	CLAMP TIN A2981A-10-27-----	1	
	A2980-10-27	CLAMP TIN -----	1	
- 11	S-1021Z-8-8	SCREW CESSNA STANDARD -----	1	
- 12	S-51-10	HOSE 3 IN LG-----BULK ITEM-----REF S-51-10-12 -----	1	
- 13	NAS398-16	CLAMP TIN A3122-16-59 -----	2	
		-----#-----		
- 14	MS20822-6B	ELBOW -----	1	
- 15	S-1167-6-0180	HOSE ASSEMBLY-CARBURETOR TO STRAINER -----	1	
- 16	0450283	EXTENSION-STARTER ARM -----	1	B
		ATTACHING PARTS -----		
- 17	AN3-4A	BOLT -----	1	
- 18	MS20365-1032C	NUT -----	1	
		-----#-----		
-18A	0450342-1	SPRING-----	1	C
-18B	0550310-1	STRAP -----	1	C
- 19	0550123	TUBE-BLAST LH -----	1	
	0550124	TUBE-BLAST RH -----	1	
		ATTACHING PARTS -----		
- 20	AN515-8R6	SCREW -----	3	
- 21	MS20365-832C	NUT -----	3	
- 22	0550100-6	BRACKET-BLAST TUBE -----	1	
- 23	NAS434D16	CLAMP TIN A2981A-16-27-----	1	
- 24	S-1021Z-10-8	SCREW CESSNA STANDARD -----	1	
		-----#-----		
- 25	0450261	ADAPTER-OIL TEMPERATURE GAGE -----	1	
- 26	AN4022-1	JET ASSEMBLY-PRIMER -----	1	
- 27	0500106-26	LINE ASSEMBLY-OIL PRESSURE-----	1	
	AN816-2B	ADAPTER-OIL PRESSURE LINE -----	1	
- 28	0450314	FITTING ASSEMBLY-CARBURETOR HEAT -----	1	
		ATTACHING PARTS -----		
- 29	AN515-8R40	SCREW -----	1	
- 30	MS20365-832C	NUT -----	1	
		-----#-----		
- 31	S-1053K16T	HOSE 26.5 IN LG BULK ITEM REF S-1053K16T26.5 -----	1	
		ATTACHING PARTS -----		
- 32	NAS397-32	CLAMP -----	2	
		-----#-----		
- 33	S-1053E16T	HOSE 12.0 IN LG BULK ITEM REF S-1053E16T12.0 -----	1	
		ATTACHING PARTS -----		
- 34	NAS397-32	CLAMP -----	2	
		-----#-----		
	0311018-9	THERMOCOUPLE -----	1	
		A---172 SERIAL 28000 THRU 47746 -----		
		B---172 SERIAL 28000 THRU 36215 -----		
		172 SERIAL 36966 THRU 47746 -----		
		C---172 SERIAL 36966 THRU 47746 -----		
		D---172 SERIAL 46755 THRU 47746 -----		
		E---172 SERIAL 28000 THRU 46754 -----		
		S-PART NOS. APPEARING ON THIS PAGE ARE CESSNA STANDARDS.		
		*NOTE. WHEN ORDERING THIS NOTE FOR AIRPLANES PRIOR TO SERIAL 36765 ALSO ORDER ITEMS MARKED#		

Engine (Cont)



172 SERIAL 17247747 THRU 17249544

Figure 59A. Engine Assembly

FIGURE AND INDEX NO.	PART NUMBER	DESCRIPTION	UNITS PER ASSY	USABLE ON CODE
		1 2 3 4 5 6 7		
59A-		ENGINE ASSEMBLY-CONTINENTAL	MP	A
- 1	0-300-C	ENGINE-----CM	1	B
	0-300-D	ENGINE-----CM	1	C
		ATTACHING PARTS		
- 2	AN7-27A	BOLT -----	4	
	MS20365-720C	NUT -----	4	
	AN960-716	WASHER-----	4	
- 3	0550100-7	BONDING STRAP-ENGINE MOUNT-----	4	
		-----*		
- 4	0550176-55	STACK ASSEMBLY-EXHAUST LH ----SEE FIGURE 62	1	
	0550176-56	STACK ASSEMBLY-EXHAUST RH ----SEE FIGURE 62	1	
- 5	0550186-1	BRACE-EXHAUST STACK	1	
		ATTACHING PARTS		
- 6	684-3-22-36-P	CLAMP ADEL -----	2	
	MS20365-428C	NUT -----	2	
	AN4-26A	BOLT -----	2	
		-----*		
- 7		BAFFLE INSTALLATION-ENGINE---- SEE FIGURE 64	1	
- 8	0551014-1	MOUNT ASSEMBLY-ENGINE	1	
- 9	0500106-307	LINE ASSEMBLY-BREATHER	1	
		ATTACHING PARTS		
- 10	S-51-10	HOSE 3 IN LG----BULK ITEM----REF S-51-10-12	1	
- 11	NAS397-16-1	CLAMP -----	2	
- 12	AN742D16	CLAMP -----	1	
- 13	NAS434D10	CLAMP -----	2	
	S-1021Z-8-12	SCREW CESSNA STANDARD	1	
- 14	AN742D10	CLAMP -----	1	
	S-1021Z-8-8	SCREW CESSNA STANDARD	1	
		-----*		
- 15	MS20822-6	ELBOW -----	1	
- 16	S-1167-6-0254	HOSE ASSEMBLY-CARBURETOR TO STRAINER	1	
- 17	S-1053E8T	HOSE 31.5 IN LG BULK ITEM REF S-1053E8T31.5	1	
		ATTACHING PARTS		
	NAS397-16-1	CLAMP -----	2	
		-----*		
- 18	0550123	TUBE ASSEMBLY-BLAST LH	1	
	0550224-1	TUBE ASSEMBLY-BLAST RH	1	
		ATTACHING PARTS		
- 19	AN515-8R6	SCREW -----	3	
	MS20365-832C	NUT -----	3	
- 20	NAS434-D16	CLAMP LH ONLY	1	
- 21	0550100-6	BRACKET LH ONLY	1	
	S-1021Z-10-8	SCREW CESSNA STANDARD LH ONLY	1	
		-----*		
- 22	0750139	ADAPTER-OIL TEMPERATURE GAGE	1	
- 23	0500106-306	LINE-OIL PRESSURE	1	
	AN823-2B	ELBOW -----	1	
- 24	S-1053K24T	HOSE 16.75 IN LG BULK ITEM REF S-1053K24T16.75	1	
- 25	S-1053E24T	HOSE-LH 22.25 IN LG BULK ITEM	1	
		REF S-1053E24T22.25		
	S-1053E24T	HOSE-RH 12.00 IN LG BULK ITEM	1	
		REF S-1053E24T12.00		
		ATTACHING PARTS		
- 26	NAS398-50	CLAMP -----	2	
		-----*		
- 27	S-1053K24T	HOSE 29.00 IN LG BULK ITEM	1	
		REF S-1053K24T29.00		
		ATTACHING PARTS		
	NAS398-50	CLAMP -----	2	
- 28	AN742D50	CLAMP -----	1	
	AN742D12	CLAMP -----	1	
	NAS446-4-3	NUT -----	1	
	S-1021Z-8-6	SCREW CESSNA STANDARD	1	
		-----*		

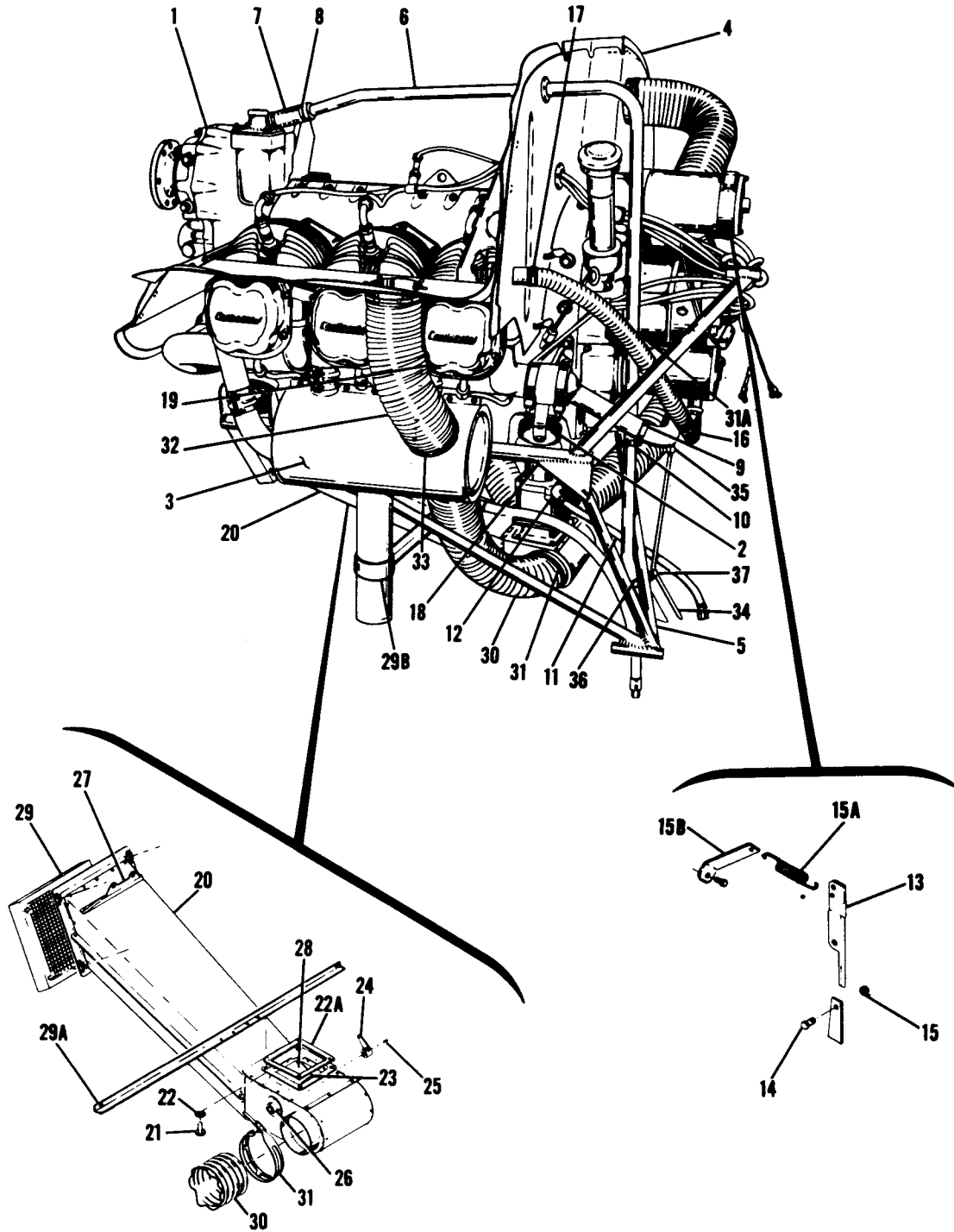
CONTINUED ON PAGE 204

S-PART NOS. APPEARING ON THIS PAGE ARE CESSNA STANDARDS.

FIGURE AND INDEX NO.	PART NUMBER	DESCRIPTION							UNITS PER ASSY	USABLE ON CODE
		1	2	3	4	5	6	7		
59A- 29	S-1053K24T	HOSE	32.00 IN LG	BULK ITEM	-----				1	
		REF S-1053K24T	32.00	CESSNA STANDARD	-----					
		ATTACHING PARTS								
- 30	NAS398-50	CLAMP	-----						2	
	AN742D50	CLAMP	-----						1	
	AN742-10	CLAMP	-----						1	
	NAS446-4-3	NUT	-----						1	
	S-1021Z-8-8	SCREW	CESSNA STANDARD	-----				1		
		-----*								
- 31	0550180-1	AIR BOX ASSEMBLY	-----						1	
		ATTACHING PARTS								
- 32	AN3-3A	BOLT	-----						2	
- 33	MS20365-1032C	NUT	-----						2	
		-----*								
- 34	0550180-10	VALVE ASSEMBLY	-----						1	
- 35	0550180-16	ARM ASSEMBLY	-----						1	
- 36	0750113-1	HOUSING	-----						2	
- 37	0550180-20	SUPPORT	-----						1	
- 38	0550180-21	EAR-SUPPORT LH	-----						1	
- 39	0550180-22	EAR-SUPPORT RH	-----						1	
- 40	0550180-25	PLATE	-----						1	
- 41	121615	FILTER-AIR BOX	AMA	-----				1		
	121615-06	GASKET-AIR BOX FILTER	AMA	-----				1		
<p>A---172 SERIAL 17247747 THRU 17249544 172 SKYHAWK SERIAL 17247747 THRU 17249544 B---172 SERIAL 17247747 THRU 17249544 C---172 SKYHAWK SERIAL 17247747 THRU 17249544</p>										

This page intentionally left blank.

Engine (Cont)



175 SERIAL 55001 THRU 56238

Figure 60. Engine Assembly

FIGURE AND INDEX NO.	PART NUMBER	DESCRIPTION	UNITS PER ASSY	USABLE ON CODE
		1 2 3 4 5 6 7		
60-		ENGINE ASSEMBLY-CONTINENTAL -----	NP	A
- 1	G0-300-A	ENGINE-----CM -----	1	
		ATTACHING PARTS		
- 2	0750132-1	MOUNT-SHOCK-----	4	
	0750137	STRAP-GROUND -----	4	
	AN253-5-100	PIN -----	4	
	AN7-33A	BOLT -----	4	
		-----*		
- 3	0550176-1	STACK ASSEMBLY-EXHAUST LH ----SEE FIGURE 62 -----	1	E
	0550176-2	STACK ASSEMBLY-EXHAUST RH ----SEE FIGURE 62 -----	1	F
	0550176-39	STACK ASSEMBLY-EXHAUST LH ----SEE FIGURE 62 -----	1	F
	0550176-40	STACK ASSEMBLY-EXHAUST RH ----SEE FIGURE 62 -----	1	G
- 4		BAFFLE INSTALLATION-ENGINE---- SEE FIGURE 64 -----	NP	G
		BAFFLE INSTALLATION-ENGINE---- SEE FIGURE 64A-----	NP	H
- 5	0551002-1	MOUNT ASSEMBLY-ENGINE-----	1	
- 6	0500106-246	LINE-BREATHER -----	1	
		ATTACHING PARTS		
- 7	S-51-10	HOSE 3 IN LG-----BULK ITEM-----REF S-51-10-12 -----	1	
- 8	NAS398-16	CLAMP TIN A3122-16-59 -----	2	
- 9	AN742D18	CLAMP -----	1	
- 10	NAS434D10	CLAMP TIN A2982A-12-27-----	1	
	S-1021Z-8-8	SCREW CESSNA STANDARD -----	1	
		-----*		
- 11	S-1167-6-0210	HOSE ASSEMBLY-CARBURETOR TO STRAINER -----	1	
		ATTACHING PARTS		
- 12	MS20822-6D	ELBOW -----	1	
		-----*		
- 13	0450283	EXTENSION-STARTER ARM-----	1	
		ATTACHING PARTS		
- 14	AN3-6A	BOLT -----	1	
- 15	MS20365-1032C	NUT -----	1	
		-----*		
-15A	0450342-1	SPRING-----	1	C
-15B	0550310-1	STRAP -----	1	C
- 16	S-1053E8T	HOSE 24.0 IN LG BULK ITEM REF S-1053E8T24.0-----	1	
		ATTACHING PARTS		
- 17	NAS397-16-1	CLAMP TIN A3122-16-1 -----	2	
		-----*		
- 18	0513144-3	ADAPTER-OIL TEMPERATURE -----	1	
- 19	AN4022-1	JET ASSEMBLY-PRIMER -----	1	
- 19	0726109-1	TRANSMITTER-OIL PRESSURE -----	1	
- 20	0550175-1	AIRBOX ASSEMBLY-CARBURETOR-----	1	
		ATTACHING PARTS		
- 21	AN74A3	BOLT -----	4	
- 22	0750100-6	WASHER-----	4	
-22A	0750142-1	GASKET-CARBURETOR AIR BOX -----	1	
		-----*		
- 23	0750133-8	SHAFT -----	1	
- 24	0750111-19	ARM ASSEMBLY -----	1	
		ATTACHING PARTS		
- 25	MS16562-17	ROLL PIN -----	1	
		-----*		
- 26	0750113-3	HOUSING -----	2	
- 27	0550175-14	BRACKET -----	1	
- 28	0550175-9	VALVE ASSEMBLY-----	1	
- 29	120009	AIR FILTER AMA -----	1	
	120009-06	GASKET-AIR FILTER-----AMA -----	1	
-29A	0550309-1	BRACE-EXHAUST TAILPIPE -----	1	B
		ATTACHING PARTS		
-29B	AN742-36	CLAMP -----	2	
	AN3-3A	BOLT-----	2	
		-----*		
- 30	MS20365-1032C	NUT -----	2	
	S-1053K24T	HOSE 18.0 IN LG BULK ITEM REF S-1053K24T18.0-----	1	
		ATTACHING PARTS		
- 31	NAS397-50	CLAMP -----	2	
		-----*		
-31A	0550218-1	DRIVE ASSEMBLY -----	1	D
	0550218-2	SHAFT -----	1	D

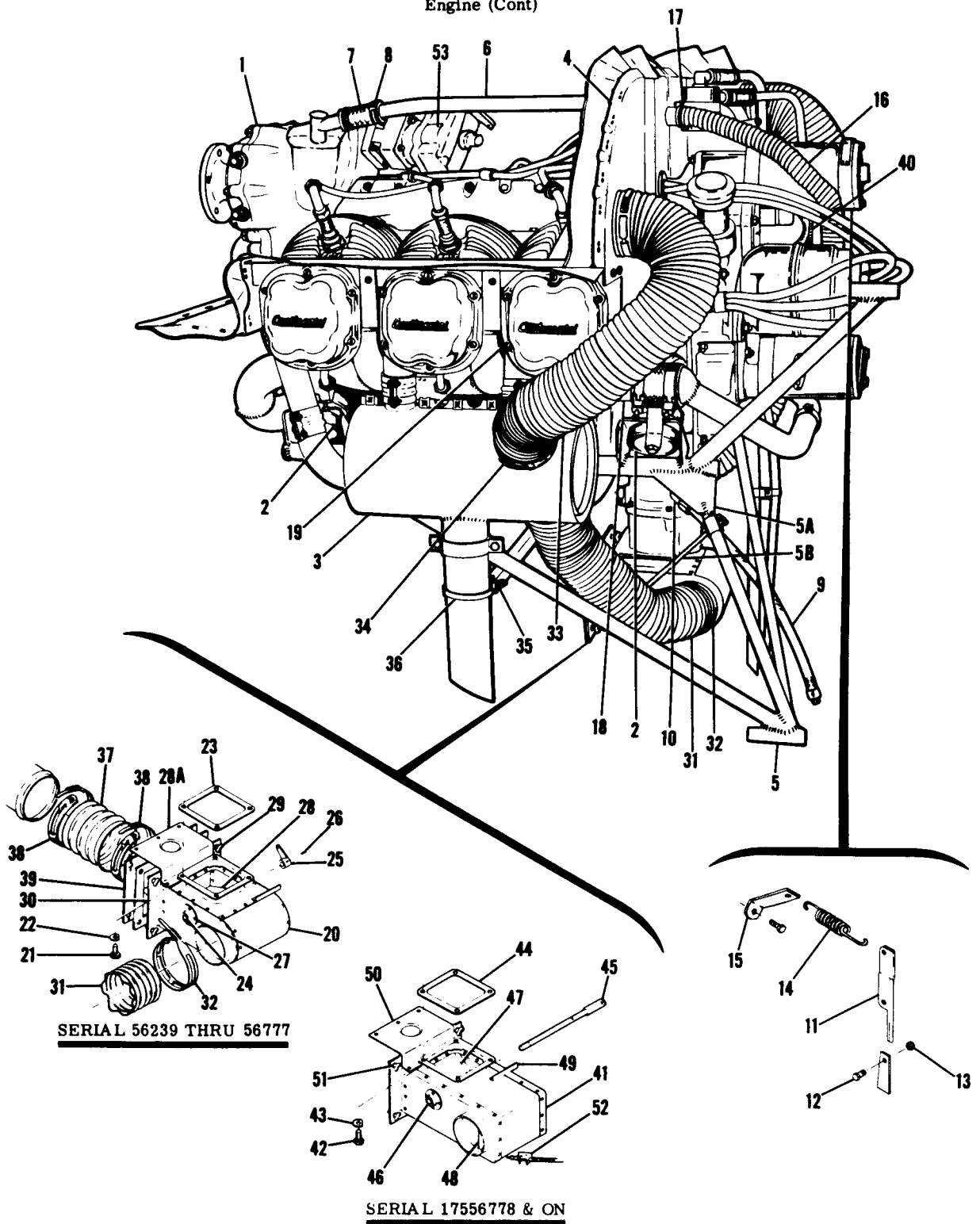
CONTINUED ON PAGE 208

S-PART NOS. APPEARING ON THIS PAGE ARE CESSNA STANDARDS.

FIGURE AND INDEX NO.	PART NUMBER	DESCRIPTION							UNITS PER ASSY	USABLE ON CODE
		1	2	3	4	5	6	7		
60- 32	S-1053E24T	HOSE	11.5 IN LG	BULK ITEM	REF S-1053E24T11.5				2	
- 33	NAS398-50	ATTACHING PARTS							2	
- 34	0500106-244	CLAMP							1	
- 35	AN816-4D	LINE ASSEMBLY-MANIFOLD DRAIN							1	
- 36	A2982A-12-27	ATTACHING PARTS							1	
- 37	M521919DGL2	NIPPLE							1	
		CLAMP	TIN						1	
		CLAMP							1	
	S-1021A-8-6	ATTACHING PARTS							1	
		SCREW	CESSNA STANDARD						1	
		VACUUM SYSTEM-FWD OF FIREWALL		SEE FIGURE 83					NP	
		A---175 SERIAL 55001 THRU 56238								
		B---175 SERIAL 55770 THRU 56238								
		C---175 SERIAL 55704 THRU 56238								
		D---175 SERIAL 56195 THRU 56238								
		E---175 SERIAL 55001 THRU 55645								
		F---175 SERIAL 55646 THRU 56238								
		G---175 SERIAL 55001 THRU 56082 EXCEPT AIRCRAFT THAT HAVE SK175-4 INSTALLED								
		H---175 SERIAL 56083 THRU 56238 AND SERIAL 55001 THRU 56082 THAT HAVE INSTALLED SK175-4								
		S-PART NOS. APPEARING ON THIS PAGE ARE CESSNA STANDARDS.								

FIGURE AND INDEX NO.	PART NUMBER	DESCRIPTION							UNITS PER ASSY	USABLE ON CODE
		1	2	3	4	5	6	7		
60A- 1	G0-300-C	ENGINE ASSEMBLY-CONTINENTAL							NP	A
- 1	G0-300-D	ENGINE-CM							1	E
	G0-300-E	ENGINE-CM							1	F
		ENGINE-CM							1	G
		ATTACHING PARTS								
- 2	0750132-1	SHOCK MOUNT							4	
	0750137	STRAP-GROUND							4	
	AN253-5-100	PIN							4	
	AN7-32A	BOLT							4	
- 3	0550176-51	STACK ASSEMBLY-EXHAUST LH		SEE FIGURE 62					1	E
	0550176-52	STACK ASSEMBLY-EXHAUST RH		SEE FIGURE 62					1	E
	0550176-65	STACK ASSEMBLY-EXHAUST LH		SEE FIGURE 62					1	D
	0550176-66	STACK ASSEMBLY EXHAUST RH		SEE FIGURE 62					1	D
- 4		BAFFLE INSTALLATION-ENGINE		SEE FIGURE 64B					NP	
- 5	0550215-1	MOUNT ASSEMBLY-ENGINE							1	H
- 5A	0550215-8	MOUNT ASSEMBLY-ENGINE							1	G
- 5B	0550225-1	BRACE ASSEMBLY-COWL FLAP CONTROL LH							1	G
	0550225-2	BRACE ASSEMBLY-COWL FLAP CONTROL RH							1	G
		ATTACHING PARTS								
	AN4-7A	BOLT							2	G
	M520365-428C	NUT							2	G
	AN960C-416L	WASHER							AR	G
- 6	0500106-286	LINE-BREATHER							1	F
	0500106-352	LINE-BREATHER							1	G
		ATTACHING PARTS								
- 7	S-51-12	HOSE	2.5 IN LG	BULK ITEM	REF S-51-12-10				1	
		CESSNA STANDARD								
- 8	NAS397-16	CLAMP							2	
	AN742D20	CLAMP							1	
	NAS434-12	CLAMP							1	
	S-1021Z-8-12	SCREW	CESSNA STANDARD						1	
- 9	S-1167-6-0210	HOSE ASSEMBLY-CARBURETOR TO STRAINER							1	
		ATTACHING PARTS								
- 10	M520822-6D	ELBOW							1	F
	AN914-2D	ELBOW							1	G
	AN816-7D	NIPPLE							1	G
		ATTACHING PARTS								
		CONTINUED ON PAGES 209, 210, & 211								

Engine (Cont)



175 SERIAL 56239 THRU 17557119

Figure 60A. Engine Assembly

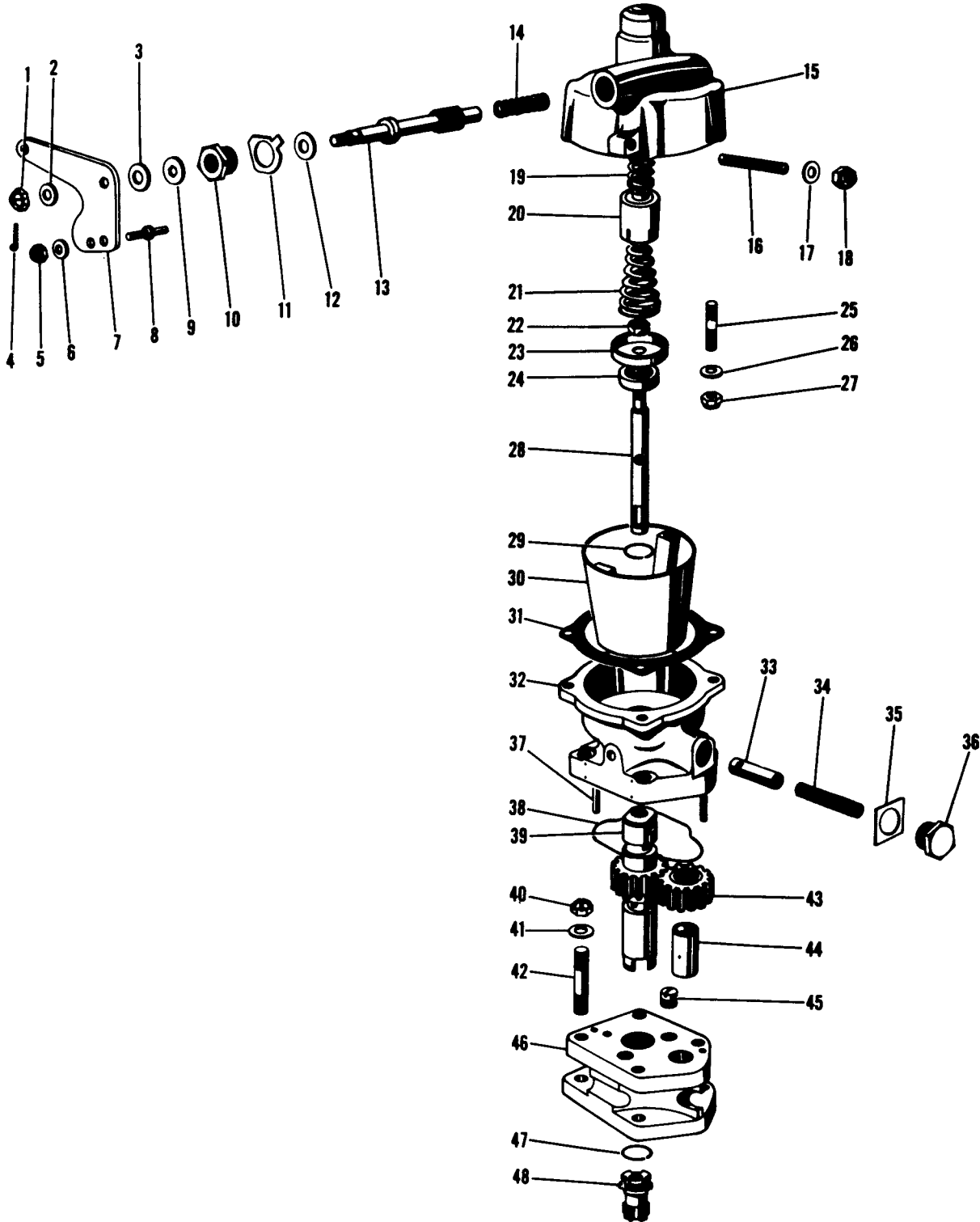
FIGURE AND INDEX NO.	PART NUMBER	DESCRIPTION	UNITS PER ASSY	USABLE ON CODE
60A- 11	0450283	EXTENSION-STARTER ARM----- ATTACHING PARTS	1	H
- 12	AN3-4A	BOLT -----	1	H
- 13	MS20365-1032C	NUT -----	1	H
- 14	0450342-1	SPRING-----	1	H
- 15	0550310-1	STRAP-----	1	H
- 16	S-1053E8T	HOSE 20.0 IN LG BULK ITEM REF S-1053E8T20.0----- CESSNA STANDARD ATTACHING PARTS	1	
- 17	NAS397-16	CLAMP-----	2	
- 18	0513144-3	ADAPTOR-OIL TEMPERATURE -----	1	
- 19	AN4022-1	JET ASSEMBLY-PRIMER -----	1	E
- 19	0500106-294	LINE-OIL PRESSURE ----- ATTACHING PARTS	1	
- 20	AN816-2B	NIPPLE-----	1	
- 20	0550214-1	AIR BOX ASSEMBLY-CARBURETOR -----	1	B
- 20	0550214-10	AIR BOX ASSEMBLY-CARBURETOR ----- ATTACHING PARTS	1	C
- 21	AN74A3	BOLT -----	4	
- 22	0750131-1	WASHER-----	4	
- 23	0750142-1	GASKET-CARBURETOR AIR BOX -----	1	
- 24	0750133-8	SHAFT -----	1	
- 25	0750111-19	ARM ASSEMBLY ----- ATTACHING PARTS	1	
- 26	MS16562-17	ROLL PIN -----	1	
- 27	0750113-3	HOUSING -----	1	
- 28	0550175-9	VALVE ASSEMBLY-----	1	
-28A	0550214-9	SUPPORT -----	1	C
- 29	W98293-2-.170	STUD-----UC -----	4	
- 30	99785-2	CROSS PIN-----UC -----	4	
- 30	0550214-8	GASKET -----	1	
- 31	S-1053K24T	HOSE 18.0 IN LG BULK ITEM REF S-1053K24T18.0 ----- ATTACHING PARTS	1	
- 32	NAS398-50	CLAMP -----	2	
- 33	S-1053E24T	HOSE 26.0 IN LG BULK ITEM REF S-1053E24T26.0 ----- ATTACHING PARTS	2	
- 34	NAS398-50	CLAMP -----	4	
- 35	0550311-1	BRACE ----- ATTACHING PARTS	1	
- 36	684-3-11-36P	CLAMP ADEL -----	2	
- 36	Q-901-36	CLAMP ADEL ALTERNATE FOR 684-3-11-36P -----	2	
- 36	AN3-26A	BOLT -----	2	
- 36	MS20365-1032C	NUT -----	2	
- 37	S-1053K28W	HOSE 4.3 IN LG BULK ITEM REF S-1053K28W4.3 ----- ATTACHING PARTS	1	
- 38	AN735D56	CLAMP -----	2	
- 39	0552007-6	PLATE ASSEMBLY-COUPLING -----	1	
- 39	99871-C.098	RECEPTACLE-STUD ALIC-----	4	
- 40	0550218-1	DRIVE-90 DEGREES -----	1	
- 40	0550218-2	PIN -----	1	
- 40	120009	AIR FILTER AMA SEE FIGURE 56A -----	1	
- 40	120009-06	GASKET-AIR FILTER AMA -----	1	
- 41	0550181-1	AIR BOX ASSEMBLY-CARBURETOR ----- ATTACHING PARTS	1	D
- 42	AN74A3	BOLT -----	4	
- 43	0750131-1	WASHER-----	4	
- 44	0750142-1	GASKET-CARBURETOR AIR BOX -----	1	
- 45	0550188-1	ARM ASSEMBLY ----- ATTACHING PARTS	1	D
- 46	0750113-1	BEARING HOUSING -----	2	

S-PART NOS. APPEARING ON THIS PAGE ARE CESSNA STANDARDS.

CONTINUED ON PAGE 211

FIGURE AND INDEX NO.	PART NUMBER	DESCRIPTION	UNITS PER ASSY	USABLE ON CODE
		1 2 3 4 5 6 7		
60A- 47	0550187-1	VALVE ASSEMBLY-----	1	D
- 48	0550181-7	VALVE ASSEMBLY-----	1	D
- 49	0550181-8	ANGLE -----	1	D
- 50	0550214-9	SUPPORT -----	1	D
- 51	2857-4	STUD-----CLC -----	4	
- 52	0450286-1	CLIP-----	1	D
	0513188-1	TUBE-STARTER CONTROL -----	1	O
- 53	0550227-1	PROPELLER GOVERNOR -----	1	G
	S-1053K24T *	HOSE AIRBOX TO VALVE ON BAFFLE 30.0 IN LG -----	1	F
		BULK ITEM REF S-1053K24T30.0		
	S-1053K24T *	HOSE AIRBOX TO VALVE ON FIREWALL 24.5 IN LG -----	1	G
		BULK ITEM REF S-1053K24T24.5		
	S-1053K24T *	HOSE VALVE ON BAFFLE TO FIREWALL 21.0 IN LG -----	1	F
		BULK ITEM REF S-1053K24T21.0		
	S-1053K24T *	HOSE FRONT BAFFLE TO RH HEATER MUFF 31.0 IN LG -----	1	
		BULK ITEM REF S-1053K24T31.0		
	S-1053K24T *	HOSE RH HEATER MUFF TO VALVE ON BAFFLE 20.0 IN LG -----	1	F
		BULK ITEM REF S-1053K24T20.0		
	S-1053K24T *	HOSE RH HEATER MUFF TO VALVE ON FIREWALL 23.0 IN LG -----	1	G
		BULK ITEM REF S-1053K24T23.0		
<p>NOTE. * FOR INSTALLATION AND ATTACHING PARTS OF THESE ITEMS SEE FIGURES 68 & 68A</p> <p>A---175 SERIAL 56239 THRU 17557119 B---175 SERIAL 56239 THRU 56634 C---175 SERIAL 56635 THRU 56777 D---175 SERIAL 17556778 THRU 17557119 E---175 SERIAL 56239 THRU 56777 F---175 SERIAL 17556778 THRU 17557002 G---175 SERIAL 17557003 THRU 17557119 H---175 SERIAL 56239 THRU 17557002</p> <p>S-PART NOS. APPEARING ON THIS PAGE ARE CESSNA STANDARDS.</p>				

Propeller Governor



**175 SKYLARK
SERIAL 17557003 THRU 17557119**

Figure 60B. Propeller Governor Assembly

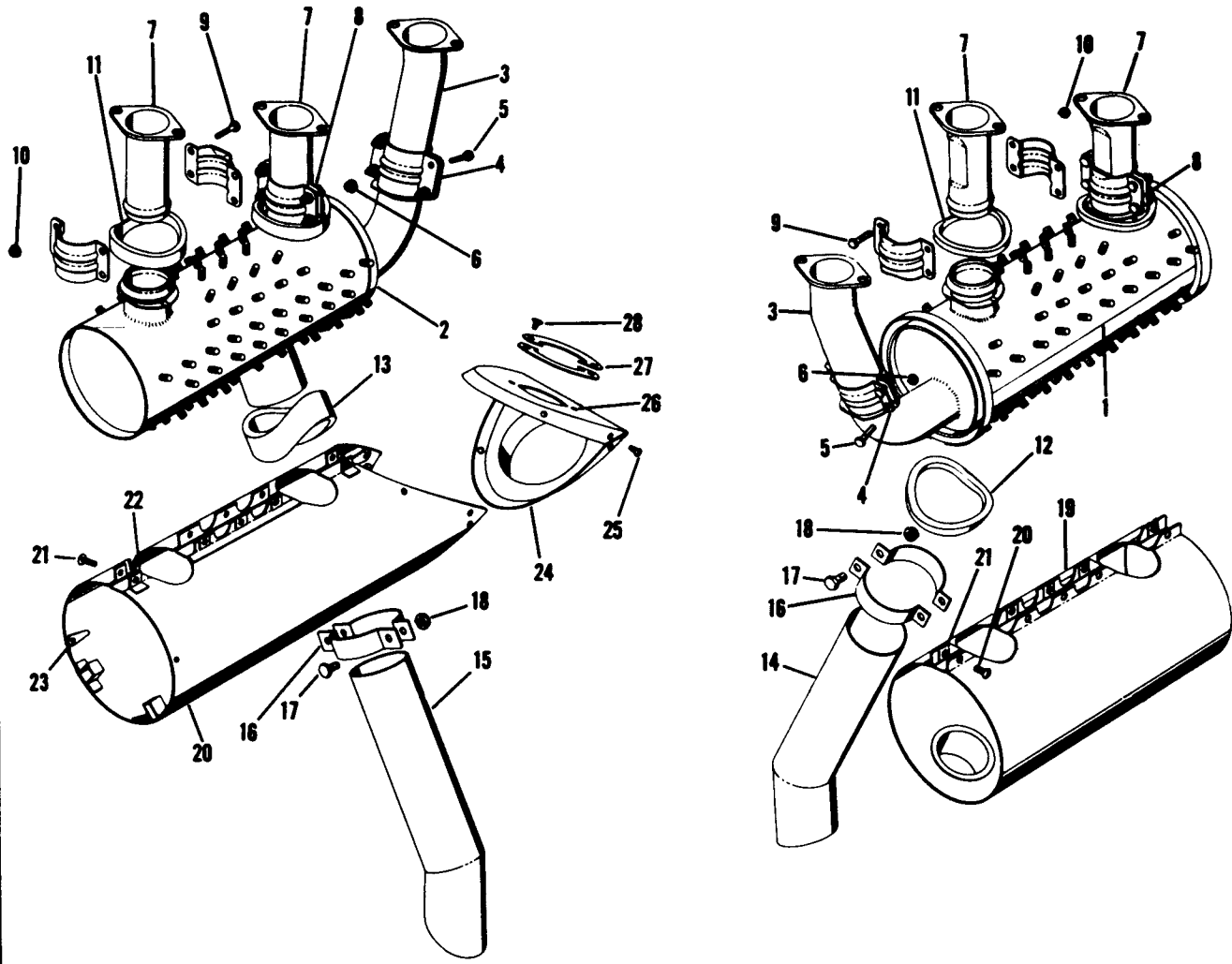


FIGURE AND INDEX NO.	PART NUMBER	DESCRIPTION	UNITS PER ASSY	USABLE ON CODE
60B-	0550227-1	GOVERNOR ASSEMBLY-PROPELLER	1	A
- 1	AN310-4	CONTROL ARM NUT	1	
- 2	AN960-10L	WASHER	1	
- 3	AN960-516	WASHER	1	
- 4	AN380-2-2	COTTER PIN	1	
- 5	MS20364-1032	NUT	1	
- 6	AN960-10L	WASHER	1	
- 7	34-827-1	OPERATING ARM GARW	1	
- 8	34-825-7	STOP PIN GARW	1	
- 9	50674	WASHER, HEXAGON HOLE GARW	1	
- 10	55172	PACKING NUT GARW	1	
- 11	55149	PACKING NUT LOCK GASKET GARW	1	
- 12	53265	PACKING RING GARW	1	
- 13	53345	CONTROL SHAFT GARW	1	
- 14	50661	CONTROL SHAFT SPRING GARW	1	
- 15	55774	HEAD GARW	1	
- 16	53294	SCREW-RPM ADV. GARW	1	
- 17	AN960-10L	WASHER	1	
- 18	MS20365-1032	NUT	1	
- 19	34-827-2	BALANCING SPRING GARW	1	
- 20	34-827-901	RACK ASSEMBLY GARW	1	
- 21	34-827-7	SPEEDER SPRING GARW	1	
- 22	MS20365D420	PILOT VALVE NUT	1	
- 23	34-827-6	SPEEDER SPRING SEAT GARW	1	
- 24	50668	BALL BEARING GARW	1	
- 25	51692	HEAD STUD GARW	4	
- 26	AN960-416L	WASHER	4	
- 27	MS20365-428	NUT	4	
- 28	34-827-3	PILOT VALVE GARW	1	
- 29	52121	LOCK RING GARW	1	
- 30	52155	FLY WEIGHT ASSEMBLY GARW	1	
- 31	50672	HEAD GASKET GARW	1	
- 32	52203	BODY GARW	1	
- 33	52204	RELIEF VALVE PLUNGER GARW	1	
- 34	34-825-8	RELIEF VALVE SPRING GARW	1	
- 35	52205	RELIEF PLUG GASKET GARW	1	
- 36	52204	RELIEF VALVE PLUG GARW	1	
- 37	53166	DOWEL PIN GARW	1	
- 38	51471	BODY & BASE GASKET GARW	1	
- 39	53940	DRIVE GEAR SHAFT GARW	1	
- 40	AN310-5	NUT	4	
- 41	AN960-516	WASHER	4	
- 42	53914	BASE STUD GARW	4	
- 43	50659	IDLER GEAR GARW	1	
- 44	50692	IDLER GEAR SHAFT GARW	1	
- 45	50658	PLUG GARW	2	
- 46	34-825-6	BASE GARW	1	
- 47	53942	LOCK RING GARW	1	
- 48	53939	DRIVE COUPLING GARW	1	

**175 SKYLARK SERIAL
17557003 THRU
17557119**

A---175 SERIAL 17557003 THRU 17557119

Engine (Cont)



R H EXHAUST STACK

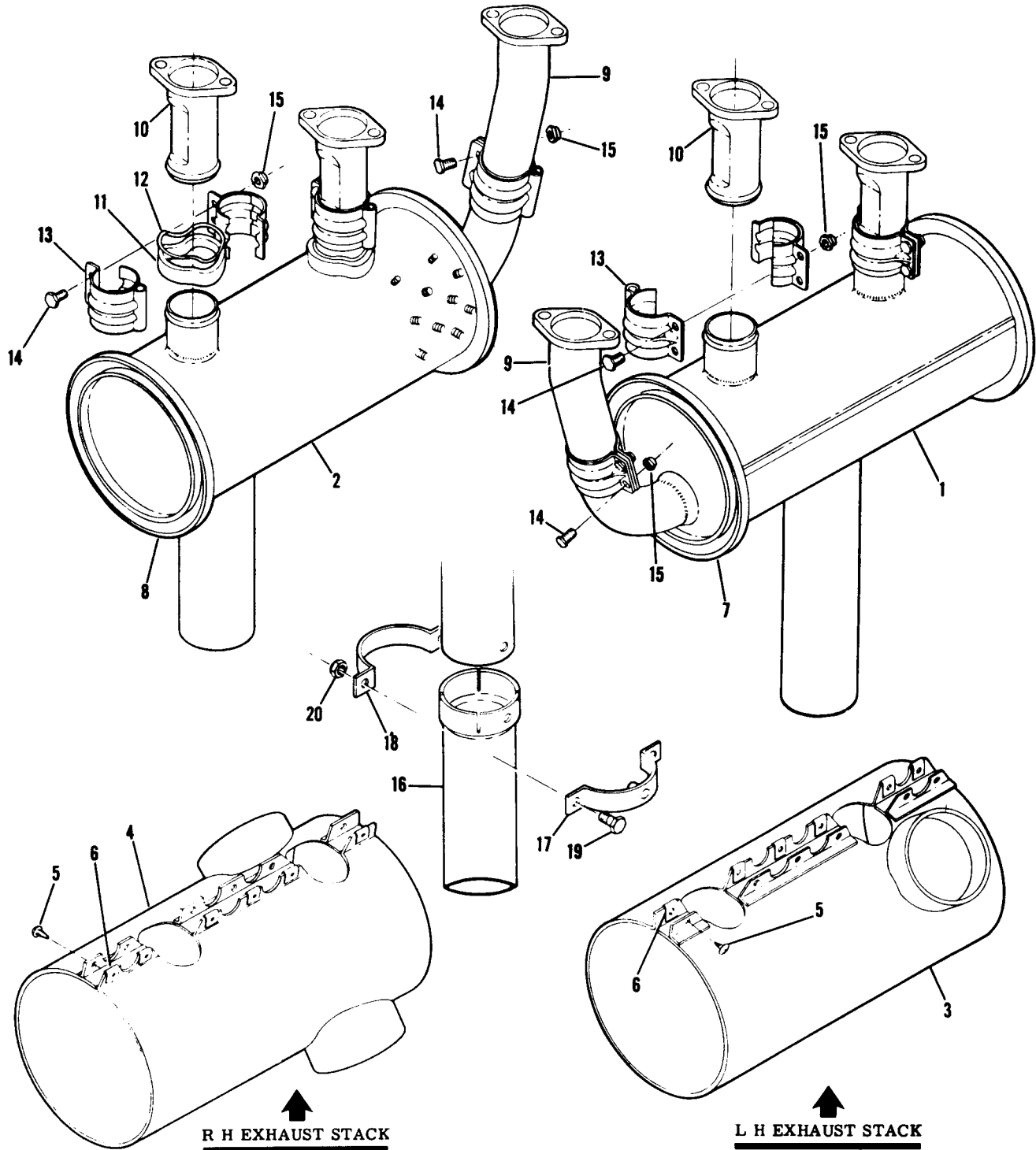
L H EXHAUST STACK

172 SERIAL 28000 THRU 47746

Figure 61. Engine Exhaust Stack Assembly

FIGURE AND INDEX NO.	PART NUMBER	DESCRIPTION	UNITS PER ASSY	USABLE ON CODE
		1 2 3 4 5 6 7		
61-	0550157	STACK ASSEMBLY-ENGINE EXHAUST LH-----	1	A
	0550157-34	STACK ASSEMBLY-ENGINE EXHAUST RH-----	1	A
- 1	0550157-9	EXHAUST HEATER-MUFFLER LH-----	1	
- 2	0550157-32	EXHAUST HEATER-MUFFLER RH-----	1	
- 3	0550157-8	TUBE-EXHAUST INLET-----	1	
- 4	0550176-50	CLAMP ASSEMBLY-EXHAUST TUBE-----	1	
- 5	AN3-4A	BOLT-----	4	
- 6	MS20365-1032C	NUT-----	4	
		*-----		
- 7	0550157-7	TUBE-EXHAUST INLET-----	2	
- 8	0550157-51	CLAMP ASSEMBLY-EXHAUST-----	2	
- 9	AN3-4A	BOLT-----	4	
- 10	MS20365-1032C	NUT-----	4	
- 11	0550157-29	SEAL-SHROUD UPPER-----	2	
- 12	0550157-31	SEAL-SHROUD LOWER LH-----	1	
- 13	0550157-30	SEAL-SHROUD LOWER RH-----	1	
- 14	0550157-4	TAIL PIPE-EXHAUST LH-----	1	
- 15	0550157-33	TAIL PIPE-EXHAUST RH-----	1	
- 16	0550157-5	CLAMP ASSEMBLY-TAIL PIPE-----	1	
- 17	AN4-4A	BOLT-----	2	
- 18	MS20365-428C	NUT-----	2	
- 19	0550157-15	SHROUD-EXHAUST HEATER LH-----	1	
- 20	0550157-27	SHROUD ASSEMBLY-EXHAUST RH-----	1	
		ATTACHING PARTS		
- 21	S-1021Z-8-6	SCREW CESSNA STANDARD-----	5	
- 22	NAS395-14-3	NUT-----	5	
		*-----		
- 23	NAS445-3	NUT-----	12	
	NAS446-2-3	NUT ALTERNATE-----	12	
- 24	0550157-53	ADAPTER ASSEMBLY-EXHAUST HEATER RH-----	1	
		ATTACHING PARTS		
- 25	S-1021Z-6-8	SCREW CESSNA STANDARD-----	8	
		*-----		
- 26	NAS445-3	NUT-----	2	
	NAS446-2-3	NUT ALTERNATE-----	2	
- 27	0550157-23	SHIELD-ADAPTER RH-----	2	
		ATTACHING PARTS		
- 28	S-1021Z-6-8	SCREW CESSNA STANDARD-----	2	
		*-----		
		A---172 SERIAL 28000 THRU 47746		

Engine (Cont)



R H EXHAUST STACK

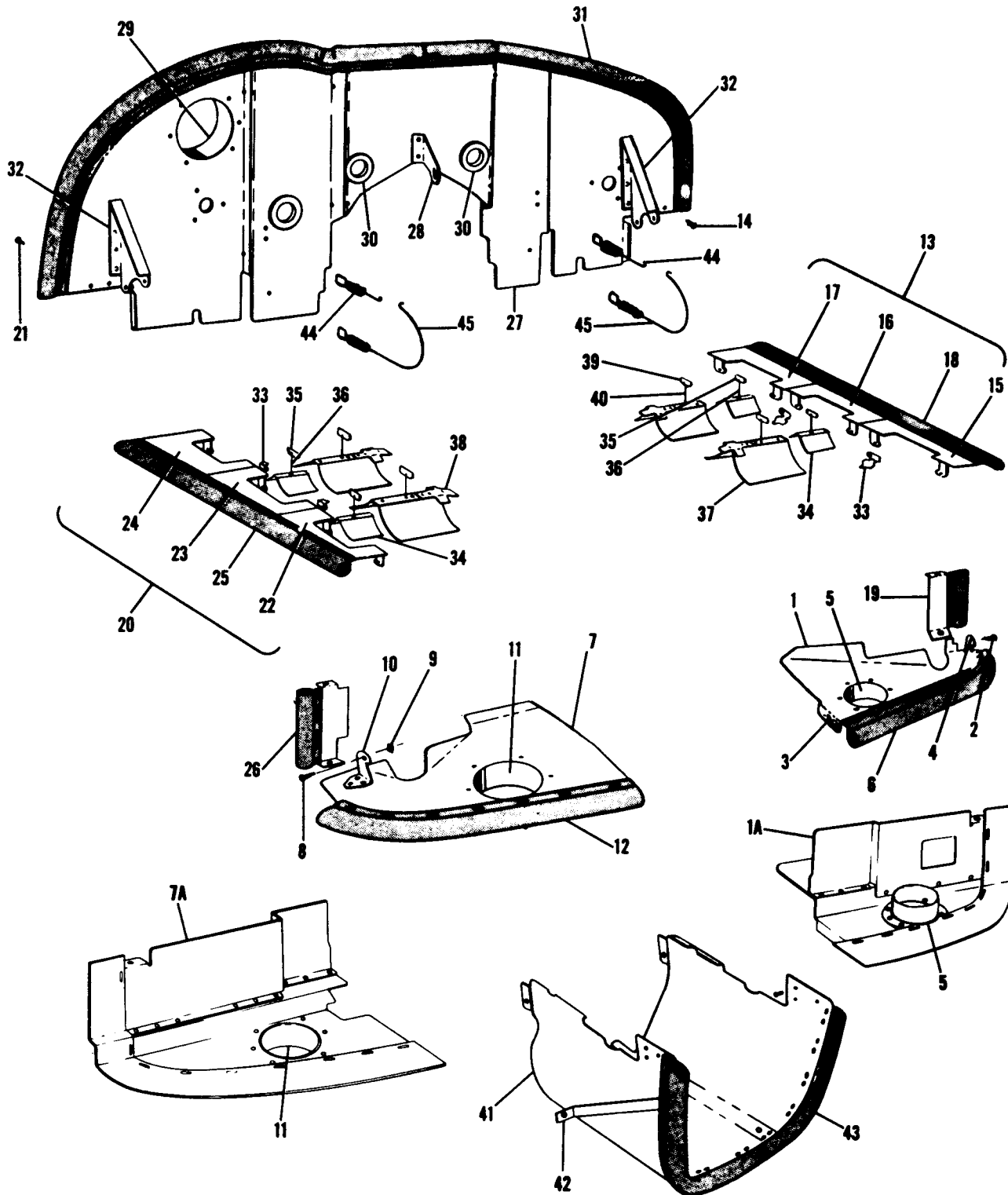
L H EXHAUST STACK

172 SERIAL 17247747 THRU 17249544
175 SERIAL 55001 THRU 17557119

Figure 62. Engine Exhaust Stack Assembly

FIGURE AND INDEX NO.	PART NUMBER	DESCRIPTION	UNITS PER ASSY							USABLE ON CODE	
			1	2	3	4	5	6	7		
62- 1	0550176-39	EXHAUST STACK ASSEMBLY-LH								1	A
	0550176-51	EXHAUST STACK ASSEMBLY-LH								1	B
- 2	0550176-65	EXHAUST STACK ASSEMBLY-LH								1	C
	0550176-55	EXHAUST STACK ASSEMBLY-LH								1	D
	0550176-40	EXHAUST STACK ASSEMBLY-RH								1	A
	0550176-52	EXHAUST STACK ASSEMBLY-RH								1	B
	0550176-66	EXHAUST STACK ASSEMBLY-RH								1	C
	0550176-56	EXHAUST STACK ASSEMBLY-RH								1	D
	0550176-3	* SHROUD ASSEMBLY-LH								1	
	0550176-37	* SHROUD ASSEMBLY-LH								1	E
	0550176-4	* SHROUD ASSEMBLY-RH								1	
	0550176-38	* SHROUD ASSEMBLY-RH								1	E
		ATTACHING PARTS									
- 5	S-1021Z-8-6	SCREW CESSNA STANDARD								6	
- 6	NAS395-14-3	NUT								6	
		-----*-----									
- 7	0550176-43	MUFFLER WELD ASSEMBLY-LH								1	F
- 8	0550176-44	MUFFLER WELD ASSEMBLY-RH								1	F
	0550176-59	MUFFLER WELD ASSEMBLY								1	G
- 9	0550176-13	RISER ASSEMBLY								1	F
	0550176-57	RISER ASSEMBLY								1	G
- 10	0550157-7	STACK-INLET								2	F
	0450338-14	STACK-INLET								2	G
- 11	0550176-22	SEAL RH ONLY								2	F
	0550176-22	SEAL								2	G
- 12	0550176-45	PACKING RH ONLY								2	F
	0550176-45	PACKING								2	G
- 13	0550176-50	CLAMP ASSEMBLY								3	G
		ATTACHING PARTS									
- 14	AN3-4A	BOLT								2	
- 15	MS20365-1032C	NUT								2	
		-----*-----									
- 16	0550176-29	TAILPIPE								1	A
	0550176-53	TAILPIPE								1	H
	0550176-54	TAILPIPE								1	D
		ATTACHING PARTS									
- 17	0550176-31	CLAMP HALF ASSEMBLY								1	
- 18	0550176-26	CLAMP HALF								1	
- 19	AN4-4A	BOLT								2	
- 20	MS20365-428C	NUT								2	
		-----*-----									
<p>A---175 SERIAL 55001 THRU 56238 B---175 SERIAL 56239 THRU 56777 C---175 SERIAL 17556778 THRU 17557119 D---172 SERIAL 17247747 THRU 17249544 E---175 SERIAL 55646 THRU 17557119 F---175 SERIAL 55001 THRU 56777 G---175 SERIAL 17556778 THRU 17557119 172 SERIAL 17247747 THRU 17249544 H---175 SERIAL 56239 THRU 17557119</p>											
<p>*NOTE. THESE SHROUD ASSEMBLIES ARE APPLICABLE ONLY TO 175 AIRCRAFT 55001 THRU 55646 WHICH STILL HAVE ORIGINAL TYPE EXHAUST STACKS. FOR 175 AIRCRAFT 55001 THRU 55646 THAT HAVE HAD THE LATER DESIGN MUFFLER WELD ASSEMBLY INCORPORATED ORDER EITHER 0550176-37 OR 0550176-38 SHROUD ASSEMBLIES.</p>											

Engine (Cont)



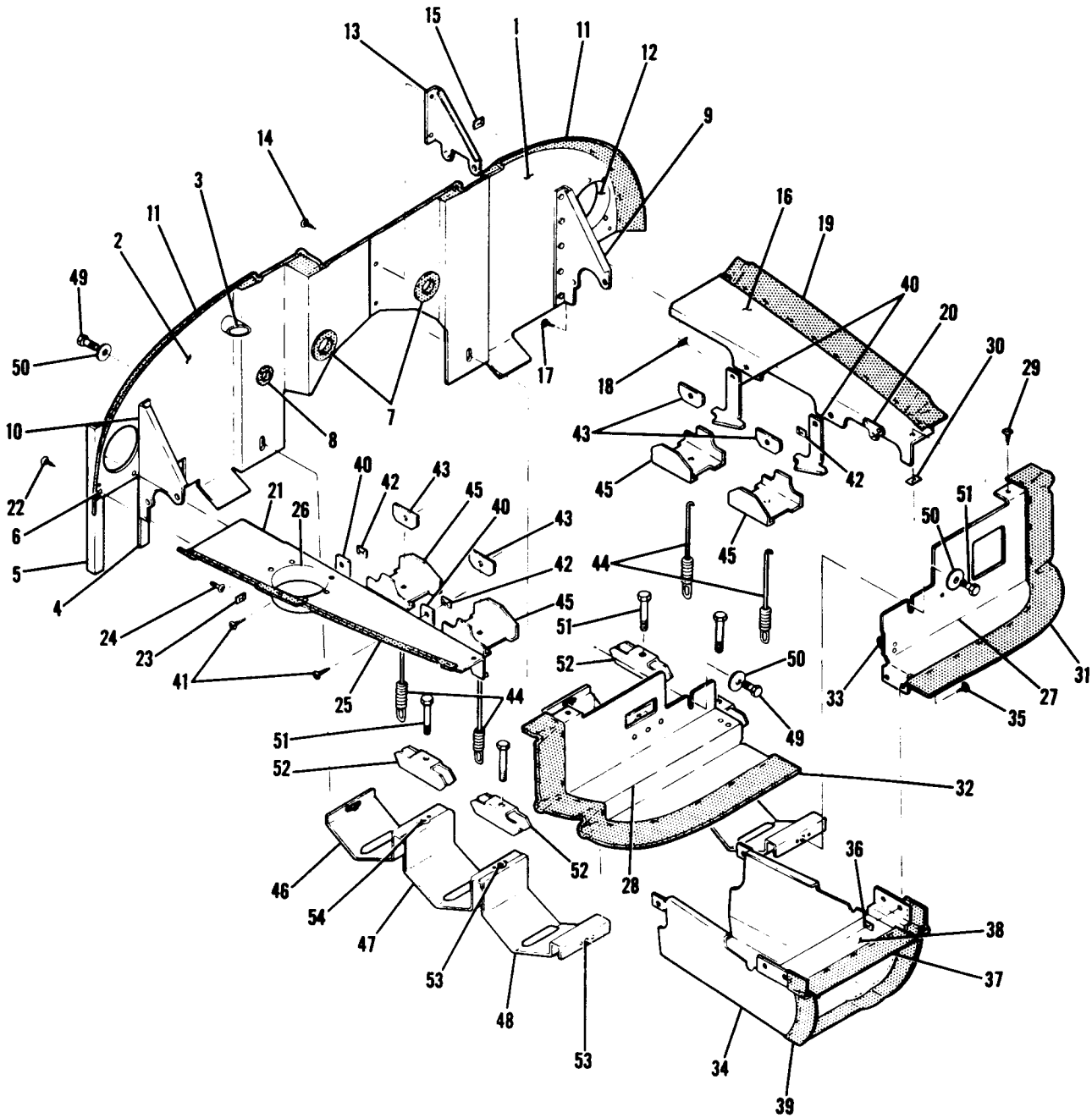
172 SERIAL 28000 THRU 47746

Figure 63. Engine Baffles Installation

FIGURE AND INDEX NO.	PART NUMBER	DESCRIPTION	UNITS PER ASSY	USABLE ON CODE
63-		1 2 3 4 5 6 7		
- 1	0550165-6	BAFFLES INSTALLATION-ENGINE -----	NP	A
- 1A	0555165-1	BAFFLES ASSEMBLY-HORIZONTAL FRONT LH -----	1	B
	0555165-11	BAFFLES ASSEMBLY-HORIZONTAL FRONT LH -----	1	D
		BAFFLES ASSEMBLY-HORIZONTAL FRONT LH -----	1	E
- 2	S-1021Z-8-6	ATTACHING PARTS		
- 3	NAS446-4-3	SCREW CESSNA STANDARD -- 172 SERIAL 28000	3	
		NUT TIN A1778-8Z-3 ----- THRU 47746	3	
- 4	0450307	SUPPORT-LEFT FRONT BAFFLE -----	1	
- 5	0450262	UNION-LEFT FRONT BAFFLE -----	2	E
- 6	0450234-23	RUB STRIP-LEFT FRONT BAFFLE -----	1	B
	0555165-7	RUB STRIP-LEFT FRONT BAFFLE -----	1	C
- 7	0550165-2	BAFFLE ASSEMBLY-HORIZONTAL FRONT RH -----	1	B
- 7A	0555165-2	BAFFLE ASSEMBLY-HORIZONTAL FRONT RH -----	1	C
- 8	S-1021Z-8-6	ATTACHING PARTS		
- 9	NAS446-4-3	SCREW CESSNA STANDARD -----	1	
		NUT TIN A1778-8Z-3 -----	1	
- 10	0450307-1	SUPPORT-RIGHT FRONT BAFFLE -----	1	
- 11	0713019-33	UNION-RIGHT FRONT BAFFLE -----	1	
- 12	0450234-24	RUB STRIP-RIGHT FRONT BAFFLE -----	1	B
	0555165-8	RUB STRIP-RIGHT FRONT BAFFLE -----	1	C
- 13	0550164-7	BAFFLE ASSEMBLY-HORIZONTAL CYLINDER LH -----	1	
		ATTACHING PARTS		
- 14	S-1021Z-8-6	SCREW CESSNA STANDARD -----	2	
	NAS446-4-3	NUT TIN A1778-8Z-3 -----	2	
- 15	0550164-1	BAFFLE-LEFT CYLINDER -----	1	
- 16	0550164-3	BAFFLE-LEFT CYLINDER -----	1	
- 17	0550164-5	BAFFLE-LEFT CYLINDER -----	1	
- 18	0450234-22	RUB STRIP-LEFT CYLINDER BAFFLES -----	1	
- 19	0550164-11	BAFFLE-LH FORWARD -----	1	B
- 20	0550164-8	BAFFLE ASSEMBLY-HORIZONTAL CYLINDER RH -----	1	
		ATTACHING PARTS		
- 21	S-1021Z-8-6	SCREW CESSNA STANDARD -----	2	
	NAS446-4-3	NUT TIN A1778-8Z-3 -----	2	
- 22	0550164-2	BAFFLE-RIGHT CYLINDER -----	1	
- 23	0550164-4	BAFFLE-RIGHT CYLINDER -----	1	
- 24	0550164-6	BAFFLE-RIGHT CYLINDER -----	1	
- 25	0450234-22	RUB STRIP-RIGHT CYLINDER BAFFLES -----	1	
- 26	0550164-10	BAFFLE-RH FORWARD -----	1	B
- 27	0550163-4	BAFFLE ASSEMBLY-REAR CYLINDERS -----	1	
- 28	0550110	SUPPORT-BAFFLE -----	1	
- 29	0713019-33	UNION-REAR BAFFLE -----	1	
- 30	MS35489-22	GROMMET-REAR BAFFLE -----	2	
- 31	0450234-25	RUB STRIP-REAR BAFFLE -----	1	
- 32	0550163-3	SUPPORT-BAFFLE -----	2	
- 33	0550117	BAFFLE-INNER CYLINDER -----	4	
- 34	0450171	BAFFLE-INNER CYLINDER -----	4	
- 35	0450209	SUPPORT-BAFFLE -----	4	
- 36	0450211-2	FASTENER-BAFFLE -----	4	
- 37	0450322-2	BAFFLE-INTER CYLINDER -----	2	
- 38	0450322-3	BAFFLE-INTER CYLINDER -----	2	
- 39	0450210	SUPPORT-BAFFLE -----	4	
- 40	0450211-1	FASTENER-BAFFLE -----	4	
- 41	0550111-7	BAFFLE-OIL SUMP -----	1	B
	0550111-8	BAFFLE-OIL SUMP -----	1	D
	0550111-12	BAFFLE-OIL SUMP -----	1	E
- 42	0550111-4	BRACE-BAFFLE -----	2	
- 43	0450234-21	RUB STRIP-BAFFLE -----	1	B
	0550111-10	RUB STRIP-BAFFLE -----	1	C
- 44	0450277-1	FASTENER-BAFFLE -----	2	
- 45	0450277-2	FASTENER-BAFFLE -----	2	

A---172 SERIAL 28000 THRU 47746
 B---172 SERIAL 28000 THRU 36965
 C---172 SERIAL 36966 THRU 47746
 D---172 SERIAL 36966 THRU 46490
 E---172 SERIAL 46491 THRU 47746

Engine (Cont)

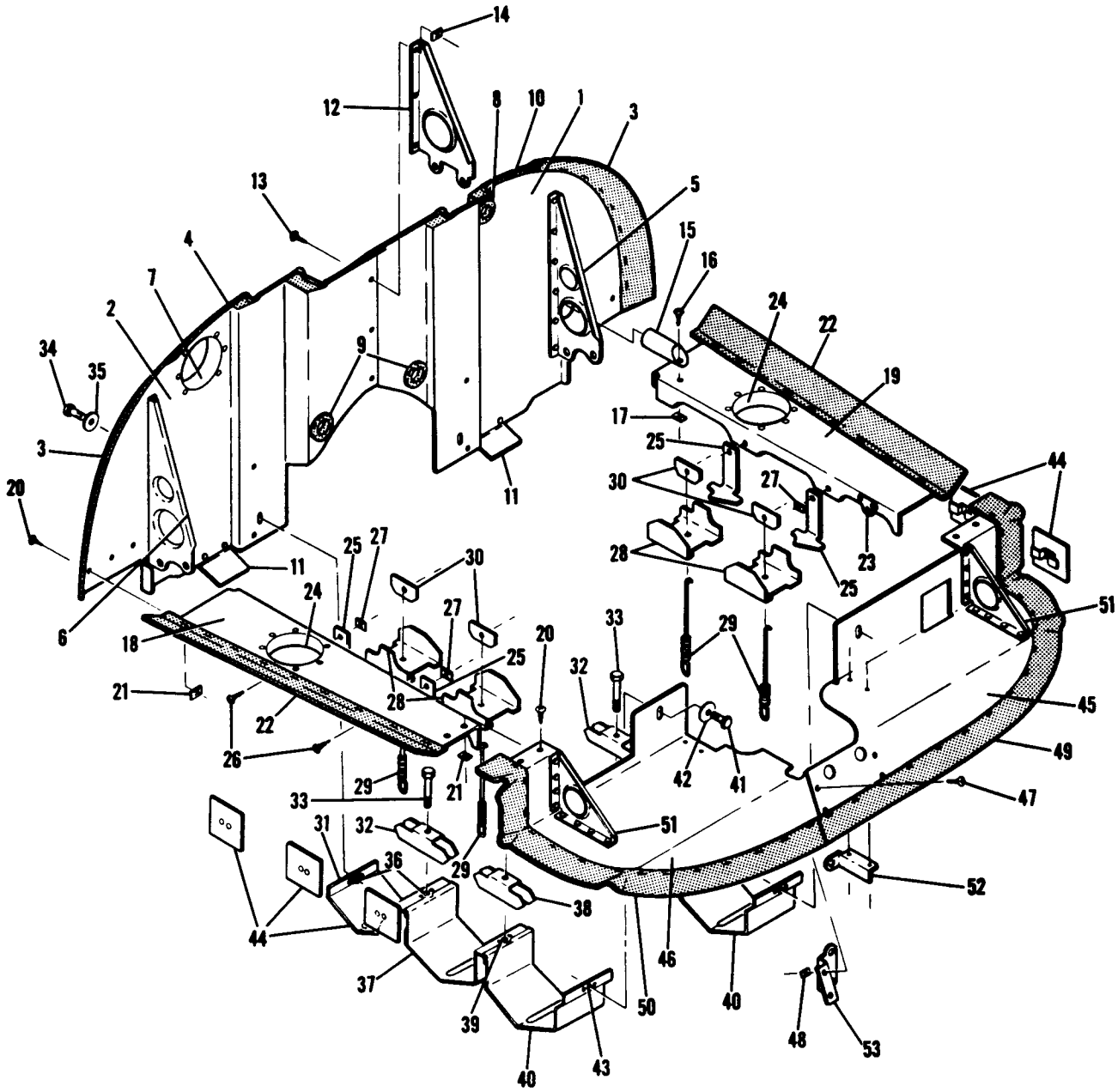


172 SERIAL 17247747 THRU 17249544

Figure 64. Engine Baffles Installation

FIGURE AND INDEX NO.	PART NUMBER	DESCRIPTION	UNITS PER ASSY	USABLE ON CODE
			1 2 3 4 5 6 7	NP A
64-		BAFFLE INSTALLATION-ENGINE -----	NP	A
- 1	0555181-1	BAFFLE ASSEMBLY-REAR VERTICAL LH -----	1	
- 2	0555181-11	BAFFLE ASSEMBLY-REAR VERTICAL RH -----	1	
- 3	0555162-1	BLAST TUBE-RH -----	1	
- 4	0555181-8	ANGLE-CABIN HEAT VALVE SUPPORT RH -----	1	
- 5	0555181-10	ANGLE-CABIN HEAT VALVE SUPPORT RH -----	1	
- 6	NAS697A08	NUTPLATE -----	1	
- 7	MS35489-22	GROMMET -----	1	
- 8	MS35489-17	GROMMET RH ONLY -----	1	
- 9	0555181-5	SUPPORT-LH -----	1	
- 10	0555181-6	SUPPORT-RH -----	1	
- 11	0555181-7	SEAL -----	1	
- 12	0713019-33	UNION-LH -----	1	
- 13	0555182-1	SUPPORT-REAR VERTICAL BAFFLE -----	1	
		ATTACHING PARTS -----		
- 14	S-1021Z-8-8	SCREW CESSNA STANDARD -----	2	
- 15	NAS446-4-3	NUT -----	2	
		-----*		
- 16	0555180-1	BAFFLE ASSEMBLY-SIDE LH -----	1	
		ATTACHING PARTS -----		
- 17	S-1021Z-8-12	SCREW CESSNA STANDARD -----	2	
- 18	NAS446-4-3	NUT -----	2	
		-----*		
- 19	0555180-5	SEAL -----	1	
- 20	0851700-14	LUG -----	1	
- 21	0555180-2	BAFFLE ASSEMBLY-SIDE RH -----	1	
		ATTACHING PARTS -----		
- 22	S-1021Z-8-12	SCREW CESSNA STANDARD -----	1	
- 23	NAS446-4-3	NUT -----	1	
- 24	AN515-8R8	SCREW -----	1	
		-----*		
- 25	0555180-5	SEAL -----	1	
- 26	0713019-33	UNION -----	1	
		LUG -----	1	
- 27	0555179-1	BAFFLE ASSEMBLY-FORWARD LH -----	1	
- 28	0555179-2	BAFFLE ASSEMBLY-FORWARD RH -----	1	
		ATTACHING PARTS -----		
- 29	S-1021Z-8-12	SCREW CESSNA STANDARD -----	1	
- 30	NAS446-4-3	NUT -----	1	
		-----*		
- 31	0555179-5	SEAL-LH -----	1	
- 32	0555179-6	SEAL-RH -----	1	
- 33	0555179-8	BRACKET -----	1	
- 34	0555189-1	BAFFLE ASSEMBLY-OIL SUMP -----	1	
		ATTACHING PARTS -----		
- 35	S-1021Z-8-8	SCREW CESSNA STANDARD -----	4	
- 36	NAS446-4-3	NUT -----	4	
		-----*		
- 37	0555189-5	SEAL -----	1	
- 38	0555189-3	BRACE -----	1	
- 39	0555189-4	SEAL -----	1	
- 40	0555175-2	BAFFLE-INTER CYLINDER HEADS -----	4	
		ATTACHING PARTS -----		
- 41	S-1021Z-8-8	SCREW CESSNA STANDARD -----	1	
- 42	NAS446-4-3	NUT -----	1	
		-----*		
- 43	0450209	SUPPORT-INTER HEAD BAFFLE -----	4	
- 44	0450277-3	FASTENER -----	4	
- 45	0555175-1	BAFFLE-INTER CYLINDER HEADS -----	4	
- 46	0555174-7	BAFFLE ASSEMBLY-INTER CYLINDER BARRELS -----	2	
- 47	0555174-8	BAFFLE ASSEMBLY-INTER CYLINDER BARRELS -----	2	
- 48	0555174-9	BAFFLE ASSEMBLY-INTER CYLINDER BARRELS -----	2	
		ATTACHING PARTS -----		
- 49	AN3-3A	BOLT -----	2	
- 50	AN970-3	WASHER -----	2	
- 51	AN3-24A	BOLT -----	2	
- 52	0750117-31	SUPPORT -----	2	
		-----*		
- 53	NAS680A3	NUT PLATE-----FORWARD & MIDDLE BAFFLES-----	1	
- 54	NAS680A3	NUT PLATE-----AFT BAFFLES -----	2	
A---172 SERIAL 17247747 THRU 17249544				

Engine (Cont)



175 SERIAL 56083 THRU 56238

Figure 64A. Engine Baffles Installation

FIGURE AND INDEX NO.	PART NUMBER	DESCRIPTION	UNITS PER ASSY	USABLE ON CODE
		1 2 3 4 5 6 7		
64A-		BAFFLE INSTALLATION-ENGINE	NP	A
- 1	0555166-9	BAFFLE ASSEMBLY-REAR VERTICAL LH	1	
- 2	0555166-10	BAFFLE ASSEMBLY-REAR VERTICAL RH	1	
- 3	0555166-5	SEAL	1	
- 4	0555166-6	SEAL-INBOARD RH	1	
- 5	0555164-1	SUPPORT-BAFFLE LH	1	
- 6	0555164-2	SUPPORT-BAFFLE RH	1	
- 7	0713019-33	UNION-RH	1	
- 8	MS35489-20	GROMMET LH	1	
- 9	MS35489-22	GROMMET	1	
- 10	0555166-7	SEAL-INBOARD LH	1	
- 11	0555166-8	BAFFLE	1	
- 12	0555161-1	BRACKET-REAR BAFFLE	1	
		ATTACHING PARTS		
- 13	S-1021A-8-6	SCREW CESSNA STANDARD	3	
- 14	NAS446-4-3	NUT	3	
		-----*		
- 15	0555162-1	BLAST TUBE	1	
		ATTACHING PARTS		
- 16	S-1021A-8-6	SCREW CESSNA STANDARD	1	
- 17	NAS446-4-3	NUT	1	
		-----*		
- 18	0555154-2	BAFFLE ASSEMBLY-SIDE RH	1	
- 19	0555154-1	BAFFLE ASSEMBLY-SIDE LH	1	
		ATTACHING PARTS		
- 20	S-1021A-8-6	SCREW CESSNA STANDARD	5	
- 21	NAS446-4-3	NUT	5	
		-----*		
- 22	0555154-5	SEAL	1	
- 23	0851700-14	LUG	1	
- 24	0713019-33	UNION	1	
- 25	0555175-2	BAFFLE-INTER CYLINDER HEADS	4	
		ATTACHING PARTS		
- 26	S-1021A-8-6	SCREW CESSNA STANDARD	1	
- 27	NAS446-4-3	NUT	1	
		-----*		
- 28	0555175-1	BAFFLE-INTER CYLINDER HEADS	4	
- 29	0450277-3	FASTENER	4	
- 30	0450209	SUPPORT-INTER HEAD BAFFLE	4	
- 31	0555174-1	BAFFLE ASSEMBLY-INTER CYLINDER BARRELS	2	
		ATTACHING PARTS		
- 32	0750117-31	SUPPORT	1	
- 33	AN3-24A	BOLT	1	
- 34	AN3-3A	BOLT	1	
- 35	AN970-3	WASHER	1	
		-----*		
- 36	NAS680A3	NUTPLATE	2	
- 37	0555174-2	BAFFLE ASSEMBLY-INTER CYLINDER BARRELS	2	
		ATTACHING PARTS		
- 38	0750117-31	SUPPORT	1	
	AN3-24A	BOLT	1	
		-----*		
- 39	NAS680A3	NUTPLATE	1	
- 40	0555174-3	BAFFLE ASSEMBLY-INTER CYLINDER BARRELS	2	
		ATTACHING PARTS		
- 41	AN3-3A	BOLT	1	
- 42	AN970-3	WASHER	1	
		-----*		
- 43	NAS680A3	NUTPLATE	1	
- 44	0750121	DEFLECTOR ASSEMBLY	6	
- 45	0555176-1	BAFFLE ASSEMBLY-FORWARD LH	1	
- 46	0555176-2	BAFFLE ASSEMBLY-FORWARD RH	1	
		ATTACHING PARTS		
- 47	S-1021A-8-6	SCREW CESSNA STANDARD	2	
- 48	NAS446-4-3	NUT	2	
		-----*		
- 49	0555176-5	SEAL-LH	1	
- 50	0555176-6	SEAL-RH	1	
- 51	0555176-7	BRACE	1	
- 52	0555167-7	BRACKET	1	
- 53	0555183-2	BRACKET-RH	1	
	0555183-1	BRACKET-LH	1	
A---175 SERIAL 56083 THRU 56238 AND SERIAL 55001 THRU 56082 THAT HAVE INSTALLED SK175-4 OR SK175-5				

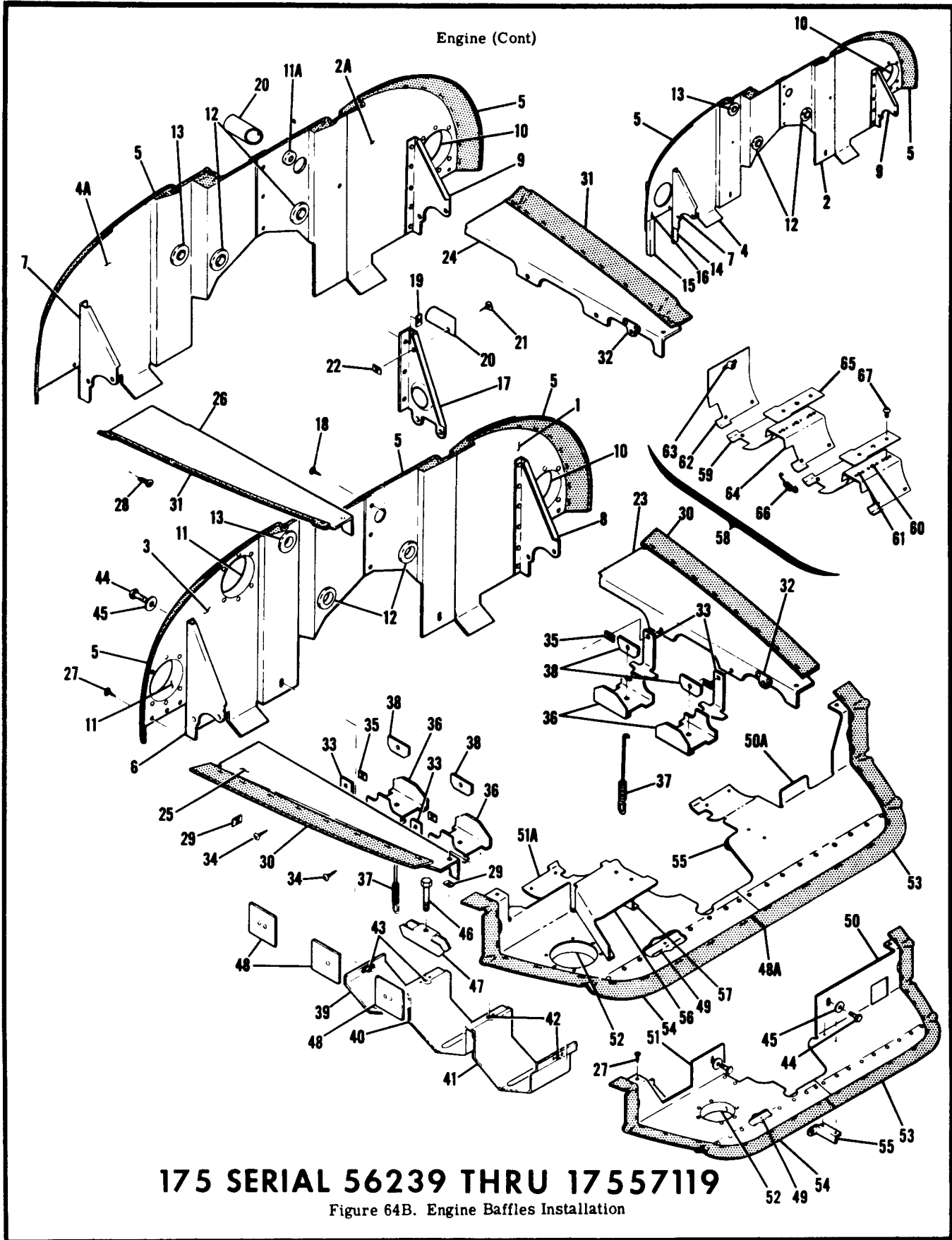




FIGURE AND INDEX NO.	PART NUMBER	DESCRIPTION	UNITS	USABLE
			PER ASSY	ON CODE
		1 2 3 4 5 6 7		
648-		BAFFLE INSTALLATION-ENGINE	NP	A
- 1	0555169-1	BAFFLE ASSEMBLY-REAR VERTICAL LH	1	B
- 2	0555169-12	BAFFLE ASSEMBLY-REAR VERTICAL LH	1	D
- 2A	0555169-15	BAFFLE ASSEMBLY-REAR VERTICAL LH	1	E
- 3	0555169-2	BAFFLE ASSEMBLY-REAR VERTICAL RH	1	B
- 4	0555169-14	BAFFLE ASSEMBLY-REAR VERTICAL RH	1	D
- 4A	0555169-16	BAFFLE ASSEMBLY-REAR VERTICAL RH	1	E
- 5	0555169-5	SEAL-OUTBOARD	2	
- 6	0555169-8	SUPPORT-RH	1	B
- 7	0555169-6	SUPPORT-RH	1	C
- 8	0555169-9	SUPPORT-LH	1	B
- 9	0555169-5	SUPPORT-LH	1	C
- 10	0713019-33	UNION-LH	1	
- 11	0713019-33	UNION-RH	2	B
-11A	MS35489-11	GROMMET	1	E
- 12	MS35489-22	GROMMET	1	
- 13	MS35489-20	GROMMET-RH	1	
- 14	0555181-8	ANGLE-CABIN HEAT VALVE SUPPORT RH	1	D
- 15	0555181-10	ANGLE ASSEMBLY-CABIN HEAT VALVE SUPPORT RH	1	D
- 16	NAS697A08	NUTPLATE	1	D
- 17	0555171-1	BRACKET-REAR VERTICAL BAFFLE	1	
		ATTACHING PARTS		
- 18	S-1021A-8-6	SCREW CESSNA STANDARD	3	
- 19	NAS446-4-3	NUT	3	
		-----*		
- 20	0555162-1	BLAST TUBE-GENERATOR	1	
		ATTACHING PARTS		
- 21	S-1021A-8-6	SCREW CESSNA STANDARD	1	F
- 22	NAS446-4-3	NUT	1	F
		-----*		
- 23	0555168-1	BAFFLE ASSEMBLY-SIDE LH	1	B
- 24	0555180-1	BAFFLE ASSEMBLY-SIDE LH	1	C
- 25	0555168-2	BAFFLE ASSEMBLY-SIDE RH	1	B
- 26	0555180-6	BAFFLE ASSEMBLY-SIDE RH	1	C
		ATTACHING PARTS		
- 27	S-1021Z-8-6	SCREW CESSNA STANDARD	4	B
	S-1021Z-8-6	SCREW CESSNA STANDARD ---LH ONLY	3	C
	S-1021Z-8-6	SCREW CESSNA STANDARD ---RH ONLY	2	C
- 28	AN515-8R8	SCREW RH ONLY	1	C
- 29	NAS446-4-3	NUT	4	B
	NAS446-4-3	NUT LH ONLY	3	C
	NAS446-4-3	NUT RH ONLY	2	C
		-----*		
- 30	0555168-5	SEAL	1	B
- 31	0555180-5	SEAL	1	C
- 32	0851700-14	LUG	1	
- 33	0555175-2	BAFFLE-INTER CYLINDER HEADS WHEN EXHAUSTED USE 0555175-3	4	F
	0555175-3	BAFFLE-INTER CYLINDER HEADS	4	E
		ATTACHING PARTS		
- 34	S-1021A-8-6	SCREW CESSNA STANDARD	1	
- 35	NAS446-4-3	NUT	1	
		-----*		
- 36	0555175-1	BAFFLE-INTER CYLINDER HEADS	4	
- 37	0450277-3	FASTENER	4	
- 38	0450209	SUPPORT-INTER HEAD BAFFLE	4	
- 39	0555174-1	BAFFLE ASSEMBLY-INTER CYLINDER BARRELS	2	F
- 40	0555174-2	BAFFLE ASSEMBLY-INTER CYLINDER BARRELS	2	F
- 41	0555174-3	BAFFLE ASSEMBLY-INTER CYLINDER BARRELS	2	F
- 42	NAS680A3	NUTPLATE-FORWARD & MIDDLE BAFFLES	1	
- 43	NAS680A3	NUTPLATE-AFT BAFFLES	2	
- 44	AN3-3A	BOLT	4	
- 45	AN970-3	WASHER	4	
- 46	AN3-24A	BOLT	4	F
	AN3-26A	BOLT	4	E
- 47	0750117-31	SUPPORT	4	

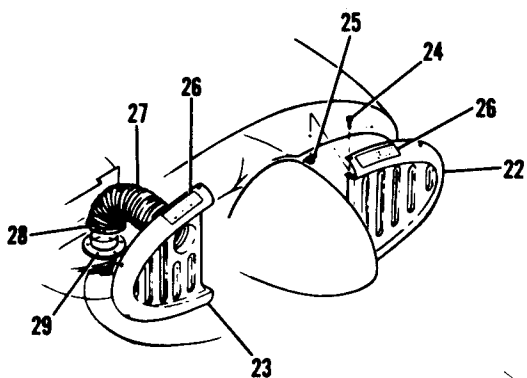
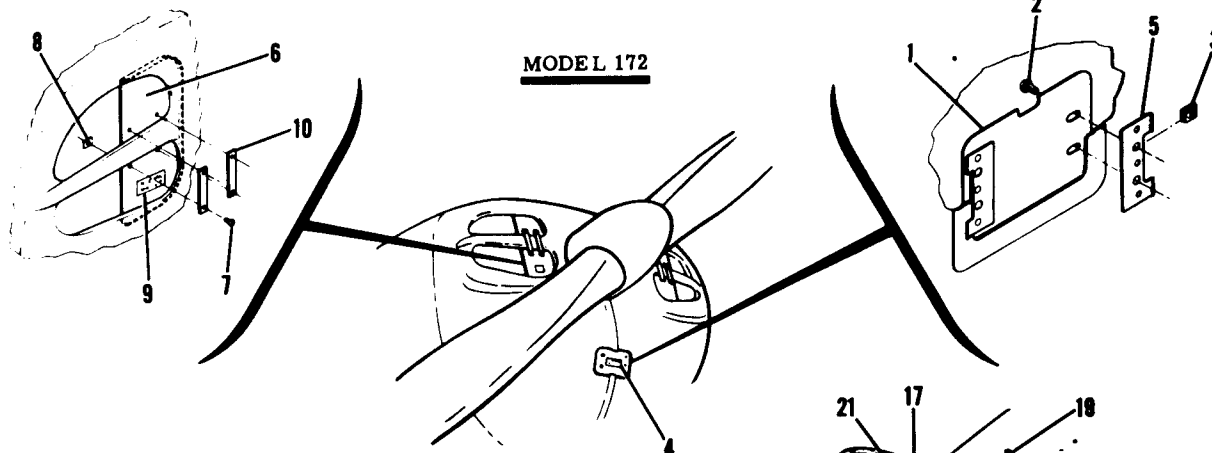
CONTINUED ON PAGE 224

FIGURE AND INDEX NO.	PART NUMBER	DESCRIPTION	UNITS PER ASSY	USABLE ON CODE
648- 48	0750121	DEFLECTOR ASSEMBLY -----	6	
	0555167-1	BAFFLE ASSEMBLY-FORWARD -----	1	B
	0555167-9	BAFFLE ASSEMBLY-FORWARD -----	1	D
-48A	0555167-10	BAFFLE ASSEMBLY-FORWARD -----	1	E
- 49	0555167-2	ANGLE -----	1	
- 50	0555167-3	BAFFLE-LH -----	1	F
-50A	0555167-11	BAFFLE-LH -----	1	E
- 51	0555167-4	BAFFLE-RH -----	1	B
	0555167-8	BAFFLE-RH -----	1	D
-51A	0555167-12	BAFFLE-RH -----	1	E
- 52	0713019-33	UNION -----	1	C
- 53	0555167-5	SEAL-LH -----	1	
- 54	0555167-6	SEAL-RH -----	1	
- 55	0555167-7	BRACKET -----	2	
- 56	0555167-13	GUIDE -----	1	E
- 57	0555167-14	BRACKET -----	1	E
- 58	0555190-1	BAFFLE ASSEMBLY-INTER CYLINDER BARRELS LH -----	1	E
	0555190-2	BAFFLE ASSEMBLY-INTER CYLINDER BARRELS RH -----	1	E
- 59	0555190-5	BAFFLE ASSEMBLY LH -----	2	E
	0555190-6	BAFFLE ASSEMBLY RH -----	2	E
- 60	NAS680A3	NUTPLATE -----	1	E
- 61	NAS680A08	NUTPLATE -----	2	E
- 62	0555190-3	BAFFLE ASSEMBLY LH -----	1	E
	0555190-4	BAFFLE ASSEMBLY RH -----	1	E
- 63	NAS697A3	NUTPLATE -----	1	E
- 64	0555190-11	BAFFLE-LH -----	2	E
	0555190-12	BAFFLE-RH -----	2	E
- 65	0555190-13	BAFFLE -----	2	E
- 66	0555191-1	SPRING -----	6	E
- 67	AN515-8-8	SCREW -----	4	E
		A---175 SERIAL 56239 THRU 17557119		
		B---175 SERIAL 56239 THRU 56777		
		C---175 SERIAL 17556778 THRU 17557119		
		D---175 SERIAL 17556778 THRU 17557002		
		E---175 SERIAL 17557003 THRU 17557119		
		F---175 SERIAL 56239 THRU 17557002		

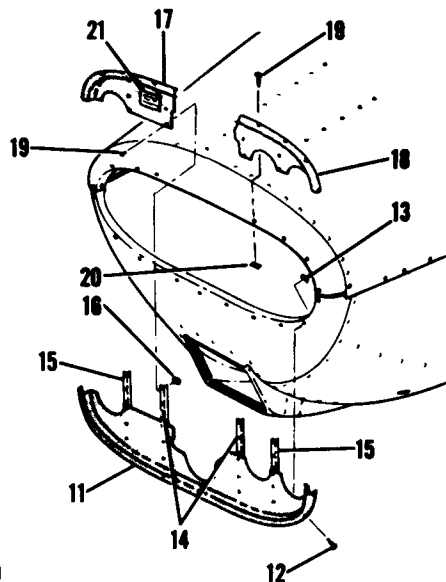
This page intentionally left blank.

Winterization

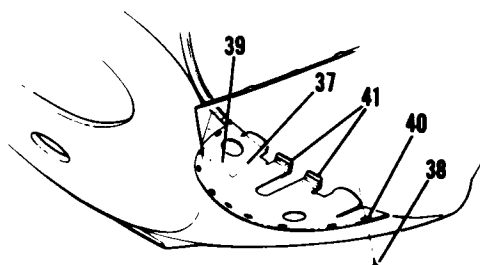
MODEL 172



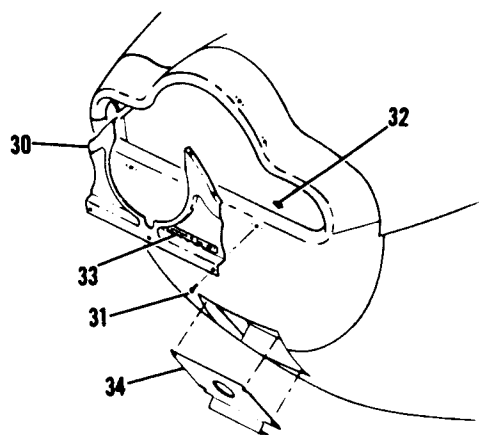
MODEL 172A



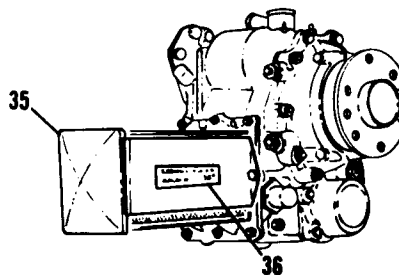
MODEL 175



MODEL 172B



MODEL 175A & 175B



172 SERIAL 28000 THRU 17249544
175 SERIAL 55001 THRU 17557119

Figure 65. Winterization Equipment Installation

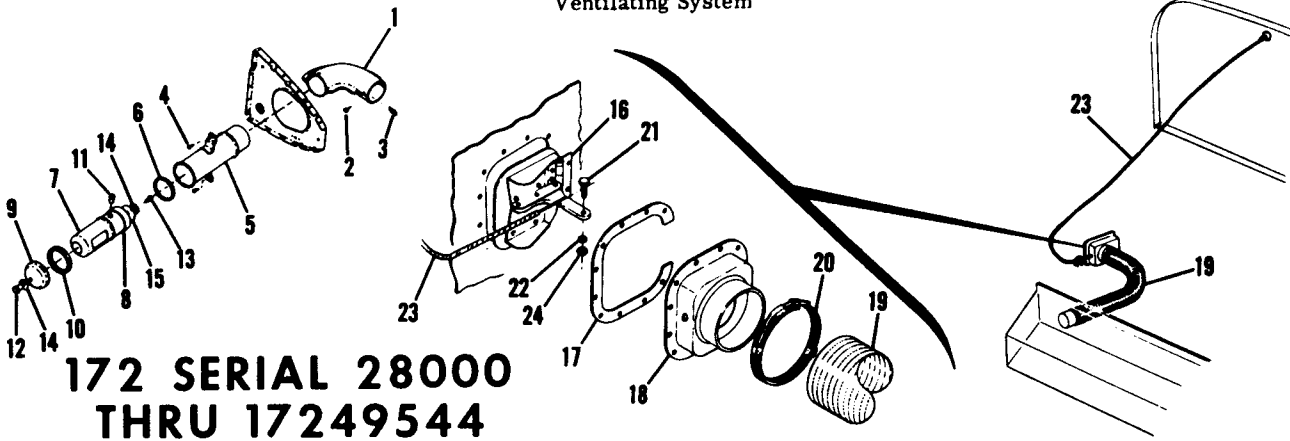
FIGURE AND INDEX NO.	PART NUMBER	DESCRIPTION	UNITS PER ASSY	USABLE ON CODE
65-		1 2 3 4 5 6 7		
- 1	0552104	WINTERIZATION EQUIPMENT----- EQUIPMENT INSTALLATION-WINTERIZATION PLUG ASSEMBLY-NOSE COWL VENT----- ATTACHING PARTS	NP NP 1	A
- 2	S-10212-8-6	SCREW CESSNA STANDARD -----	2	
- 3	NAS395-14-3	NUT -----	2	
- 4	0552103	PLACARD-----	1	
- 5	0552104-5	PLATE-RETAINER -----	2	
- 6	0552106-3	COVER ASSEMBLY-COWL GRILL WINTERIZATION ATTACHING PARTS	2	
- 7	S-10212-6-6	SCREW CESSNA STANDARD -----	4	
- 8	NAS446-2-3	NUT -----	4	
- 9	0552102	PLACARD-WINTERIZATION COMPONENTS	1	
- 10	0552106-2	STRAP-WINTERIZATION COMPONENTS -----	4	
- 11	0552006-8	EQUIPMENT INSTALLATION-WINTERIZATION BOTTOM HALF ASSEMBLY ----- ATTACHING PARTS	1 1	B
- 12	S-10212-8-6	SCREW CESSNA STANDARD -----	9	
- 13	NAS444-4	NUT -----	9	
- 14	0552006-5	ANGLE -----	2	
- 15	0552006-6	ANGLE -----	2	
- 16	NAS395-16-3	NUT -----	12	
- 17	0552006-11	TOP HALF ASSEMBLY-RH -----	1	
- 18	0552006-9	TOP HALF-LH ----- ATTACHING PARTS	1	
- 19	S-10212-8-6	SCREW CESSNA STANDARD -----	10	
- 20	NAS444-4	NUT -----	4	
- 21	0552110-1	* PLACARD-RH ONLY -----	1	
- 22	0552109-3	EQUIPMENT INSTALLATION-WINTERIZATION COVER-LH -----	1	C
- 23	0552109-6	COVER & DUCT ASSEMBLY-RH----- ATTACHING PARTS	1	
- 24	S-10212-8-6	SCREW CESSNA STANDARD -----	8	
- 25	NAS444-4	NUTPLATE -----	1	
- 26	0552107-2	* PLACARD-----	3	
- 27	S-1053E24T	DUCT 10 IN LG-----BULK ITEM-----REF S-1053E24T10.00 CESSNA STANDARD ATTACHING PARTS	1	
- 28	A3122-50-1	CLAMP TIN -----	1	
- 29	0713019-33	UNION -----	1	
- 30	0552009-6	EQUIPMENT INSTALLATION-WINTERIZATION COVER ASSEMBLY ----- ATTACHING PARTS	1 1	D
- 31	S-10212-8-6	SCREW CESSNA STANDARD -----	7	
- 32	A6191-8Z-3	NUTPLATE TIN-----	7	
- 33	0552110-1	* PLACARD -----	1	
- 34	0552009-2	* PLATE ASSEMBLY-AIR FILTER COVER ----- PLACARD -----	1 1	
- 35	0552110-1	* PLATE ASSEMBLY-OIL COOLER COVER ----- PLACARD -----	1 1	
- 36	0552110-1	* PLACARD -----	1	
- 37	0552011-2	EQUIPMENT INSTALLATION-WINTERIZATION PLATE ASSEMBLY-WINTERIZATION----- ATTACHING PARTS	1 1	E
- 38	S-10212-8-6	SCREW CESSNA STANDARD -----	9	
- 39	0552110-1	PLACARD-WINTERIZATION -----	1	
- 40	NAS444-4-3	NUTPLATE -----	9	
- 41	0552011-4	RUB STRIP -----	2	

A---172 SERIAL 28000 THRU 36965
 B---175 SERIAL 55001 THRU 56238
 C---172 SERIAL 36966 THRU 47746
 D---175 SERIAL 56239 THRU 17557119
 E---172 SERIAL 17247747 THRU 17249544

*NOTE. ONE PLACARD TO BE INSTALLED ADJACENT TO THE OPERATIONAL LIMITATIONS PLACARD

NOTE. FOR ACCESSORY KIT LISTINGS REFER TO PAGE 364

Ventilating System

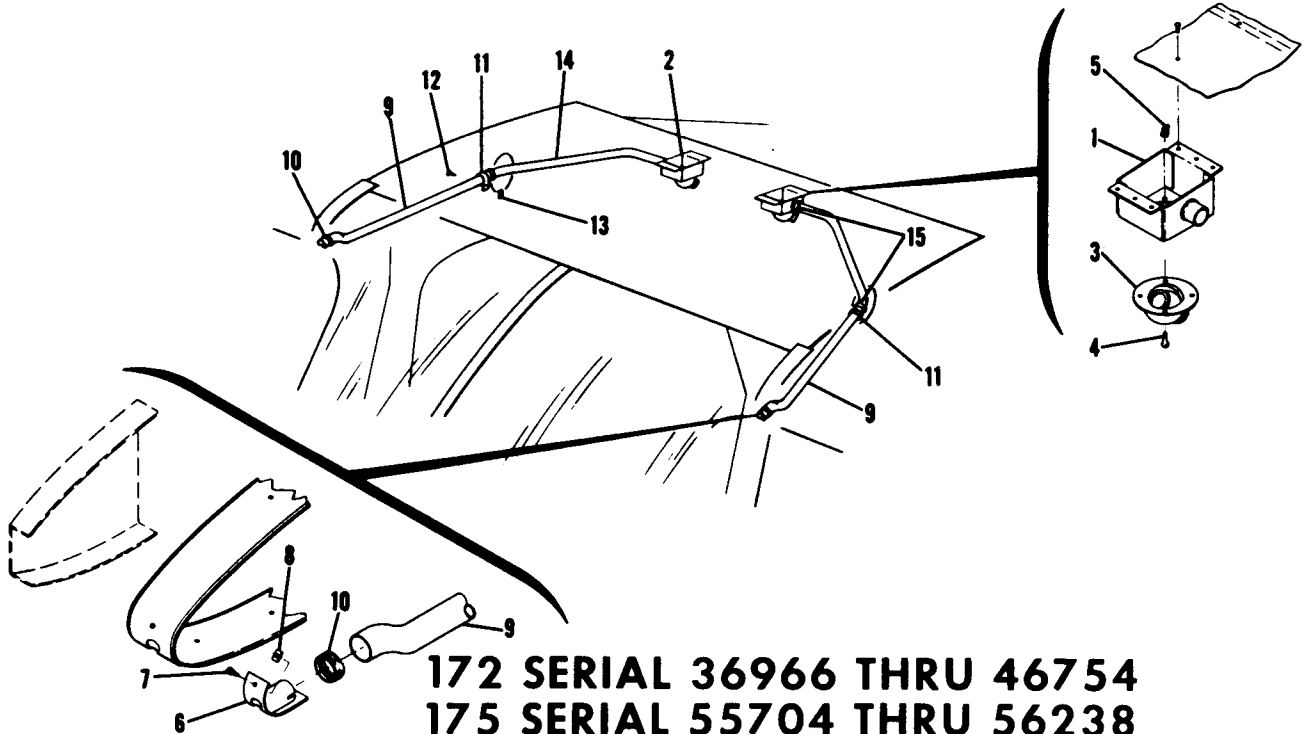


**172 SERIAL 28000
THRU 17249544
175 SERIAL 55001 THRU 17557119**

Figure 66. Cabin Ventilating System

FIGURE AND INDEX NO.	PART NUMBER	DESCRIPTION	UNITS PER ASSY	USABLE ON CODE
66-		1 2 3 4 5 6 7		
- 1	0413233	CABIN VENTILATING SYSTEM INSTALLATION----- ELBOW ASSEMBLY-CABIN AIR VENT -----	NP 2	
- 2	S-10212-8-6	ATTACHING PARTS	1	
- 3	NAS446-4-3	SCREW CESSNA STANDARD ----- NUTPLATE TIN A1778-82-3 -----	1	
	0413163-23 **	OUTLET ASSEMBLY LH -----	1	
	0413163-24 **	OUTLET ASSEMBLY RH -----	1	
- 4	S-10212-8-6	ATTACHING PARTS	2	
- 5	0413163-8	SCREW CESSNA STANDARD -----	1	
	0413163-9	TUBE ASSEMBLY LH -----	1	
- 6	0413163-7	TUBE ASSEMBLY RH -----	1	
- 7	0413163-18 **	WASHER-FELT -----	1	
- 8	0413163-5	OUTLET ASSEMBLY -----	1	
	0413163-11	SEAL -----	1	
- 9	0413257	CAP ASSEMBLY-AIR OUTLET -----	1	
- 10	0413163-10	CAP -----	1	
- 11	0413203	SEAL-CAP -----	2	
- 12	0411092-1	CATCH-BULLET -----	1	A
	0713303-2	KNOB-CAP -----	1	B
		KNOB-CAP -----		
		ATTACHING PARTS		
- 13	AN515-8R8	SCREW -----	1	
- 14	0413228 *	WASHER -----	2	
	AN936A8	WASHER -----	1	
	NAS43DD3-5	SPACER -----	1	
- 15	0413347-1 *	WASHER -----		
		DOOR ASSEMBLY-SIDE AIR VENT -----	1	C
- 16	0713135-1	SEAL -----	1	C
- 17	0713140-1	INLET -----	1	C
- 18	0713139-1	HOSE 15 IN LONG BULK ITEM REF 1053E24T15.0 -----	1	C
- 19	S-1053E24T	CESSNA STANDARD		
- 20	NAS398-50	CLAMP -----	1	C
- 21	0450311-5	CLAMP -----	1	C
- 22	AN960-10L	WASHER -----	1	C
- 23	0713302-6	CONTROL-CABIN AIR REF 0513159-3 -----	1	C
- 24	MS20365-1032C	NUT -----	1	C
<p>NOTE. ** WHEN ORDERING THIS PART FOR AIRPLANES PRIOR TO SERIAL 17249237 OR 17557088 ALSO ORDER PARTS MARKED *.</p> <p>A---172 SERIAL 28000 THRU 36965 175 SERIAL 55001 THRU 55703 B---172 SERIAL 36966 THRU 17249544 175 SERIAL 55704 THRU 17557119 C---175 SERIAL 17557003 THRU 17557119</p>				

Ventilating System (Cont)

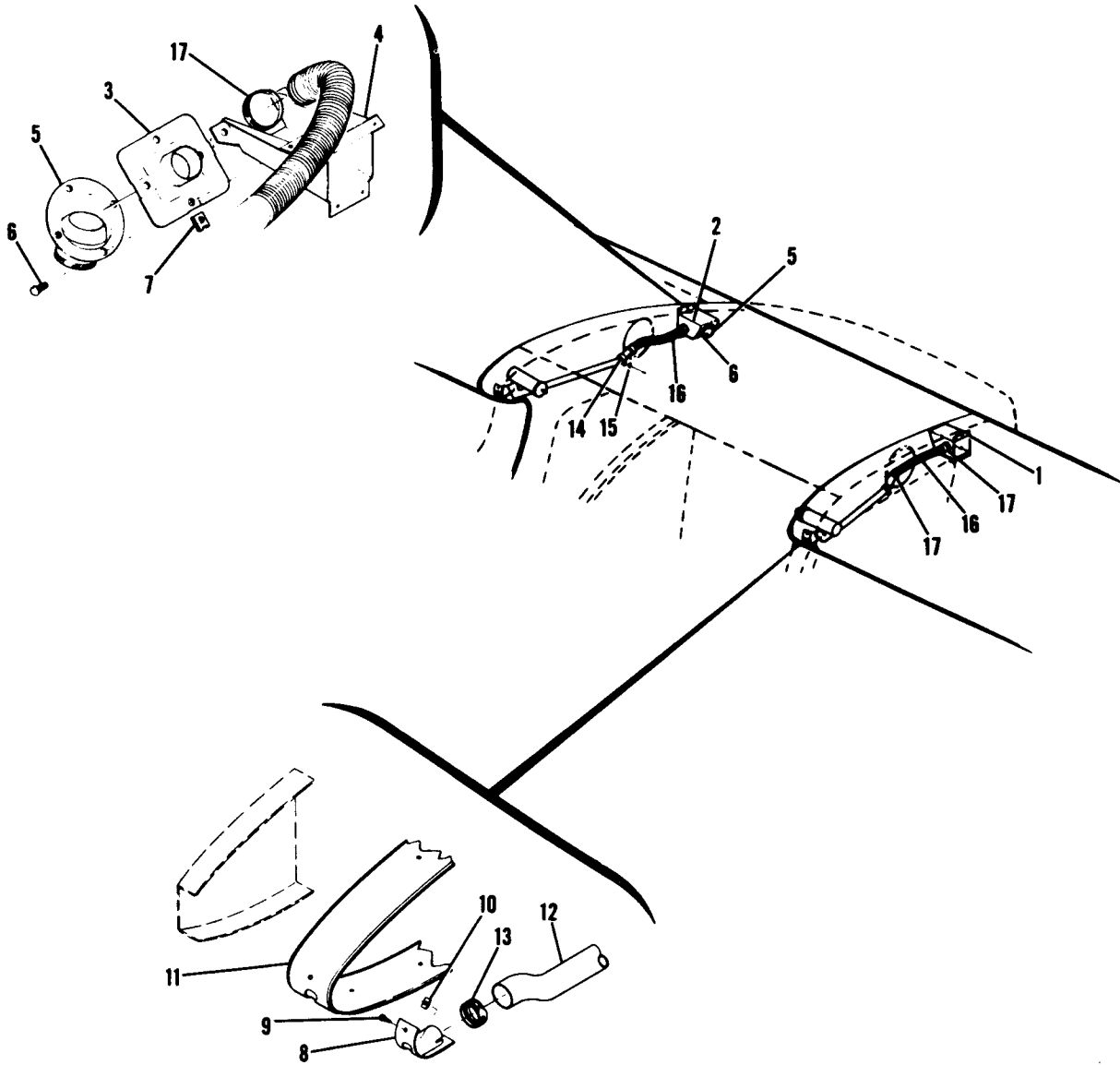


172 SERIAL 36966 THRU 46754
175 SERIAL 55704 THRU 56238

Figure 66A. Rear Seat Ventilation System

FIGURE AND INDEX NO.	PART NUMBER	DESCRIPTION	UNITS PER ASSY	USABLE ON CODE
			1 2 3 4 5 6 7	
66A-		VENTILATION SYSTEM-REAR SEAT-----	NP	A
- 1	0700317-10	BOX ASSEMBLY-LH -----	1	
- 2	0700317-12	BOX ASSEMBLY-RH -----	1	
- 3	0813610-3	VALVE-VENT -----	2	
		ATTACHING PARTS -----		
- 4	S-1021Z-6-8C	SCREW CESSNA STANDARD -----	4	
- 5	A1804-6Z-3	NUT TIN -----	4	
- 6	0700317-14	ADAPTER -----	2	
		ATTACHING PARTS -----		
- 7	S-1022Z-8-8	SCREW CESSNA STANDARD -----	2	
- 8	NAS446-4-3	NUT TIN A1778-8Z-3 -----	2	
- 9	0700317-17	DUCT ASSEMBLY -----	2	
		ATTACHING PARTS -----		
- 10	NAS397-18	CLAMP TIN A3122-18-1 -----	1	
- 11	AN742-D16	CLAMP TIN A2980A-16-27 -----	1	
- 12	S-1021Z-8-8	SCREW CESSNA STANDARD -----	1	
- 13	NAS446-4-3	NUT TIN 1778-8Z-3 -----	1	
- 14	0450320-47	DUCT-FLEXIBLE -----	2	
		ATTACHING PARTS -----		
- 15	NAS397-16	CLAMP TIN A3122-16-1 -----	2	
		-----*		
		A---175 SERIAL 55704 THRU 56238 172 SERIAL 36966 THRU 46754		
		NOTE. FOR ACCESSORY KIT LISTINGS REFER TO PAGE 364		

Ventilating System (Cont)



172 SERIAL 46755 THRU 17249544
175 SERIAL 56239 THRU 17557119

Figure 66B. Rear Seat Ventilating System

FIGURE AND INDEX NO.	PART NUMBER	DESCRIPTION	UNITS PER ASSY	USABLE ON CODE
		1 2 3 4 5 6 7		
66B-		VENTILATION SYSTEM-REAR SEAT-----	NP	A
- 1	0700323-1	BOX ASSEMBLY-LH WHEN EXHAUSTED USE 0700326-1 & 0700327-1	1	E
- 2	0700323-2	BOX ASSEMBLY-RH WHEN EXHAUSTED USE 0700326-1 & 0700327-1	1	E
- 3	0700327-1	ADAPTER-AIR VENT-----	2	D
- 4	0700326-1	BRACKET ASSEMBLY-REAR AIR VENT-----	2	D
- 5	0813610-3	VALVE-VENT-----	2	
		ATTACHING PARTS		
- 6	S-10212-6-8C	SCREW CESSNA STANDARD-----	8	
	A1804-6Z-3	NUT TIN-----	8	E
- 7	A1793-6Z-3	NUT TIN-----	8	D

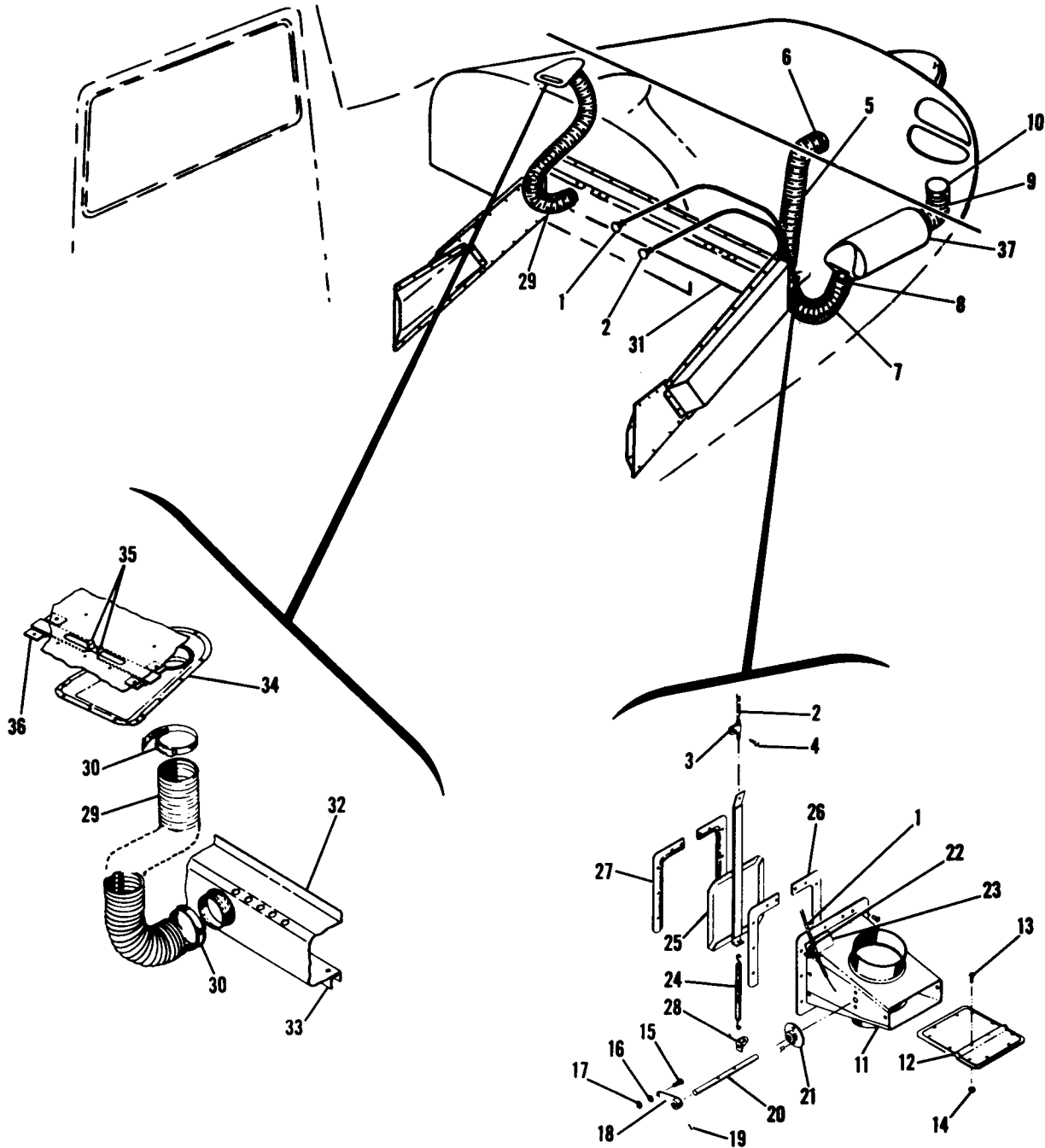
- 8	0700325-1	ADAPTER-----	2	
		ATTACHING PARTS		
- 9	S-10222-8-8	SCREW CESSNA STANDARD-----	4	B
	S-10212-8-8	SCREW CESSNA STANDARD-----	4	C
- 10	NAS396-6-3	NUT-----	4	B
	NAS395-16-3	NUT-----	4	C

- 11	0700322-4	SEAL-AIR VENT-----	2	
- 12	0700324-1	TUBE-REAR AIR VENT-----	2	
		ATTACHING PARTS		
- 13	NAS397-18	CLAMP-----	2	
- 14	A2980A-16-27	CLAMP TIN-----	2	
- 15	NAS395-19-3	NUT-----	2	
	S-10212-8-10	SCREW CESSNA STANDARD-----	2	

- 16	S-1053E8T	HOSE 18.00 IN LG BULK ITEM REF S-1053E8T-18.00 CESSNA STANDARD	2	
		ATTACHING PARTS		
- 17	NAS397-16	CLAMP-----	4	

		A---175 SERIAL 56239 THRU 17557119 172 SERIAL 46755 THRU 17249544		
		B---175 SERIAL 56239 THRU 17557119 172 SERIAL 46867 THRU 17249544		
		C---172 SERIAL 46755 THRU 46866		
		D---175 SERIAL 17556789 THRU 17557119 172 SERIAL 17247782 THRU 17249544		
		E---175 SERIAL 56239 THRU 17556788 172 SERIAL 46755 THRU 17247781		
		NOTE. WHEN ORDERING PARTS MARKED * FOR SERIALS PRIOR TO 17556789 & 17247782 ALSO ORDER PARTS MARKED **.		
		NOTE. FOR ACCESSORY KIT LISTINGS REFER TO PAGE 364		

Heating System



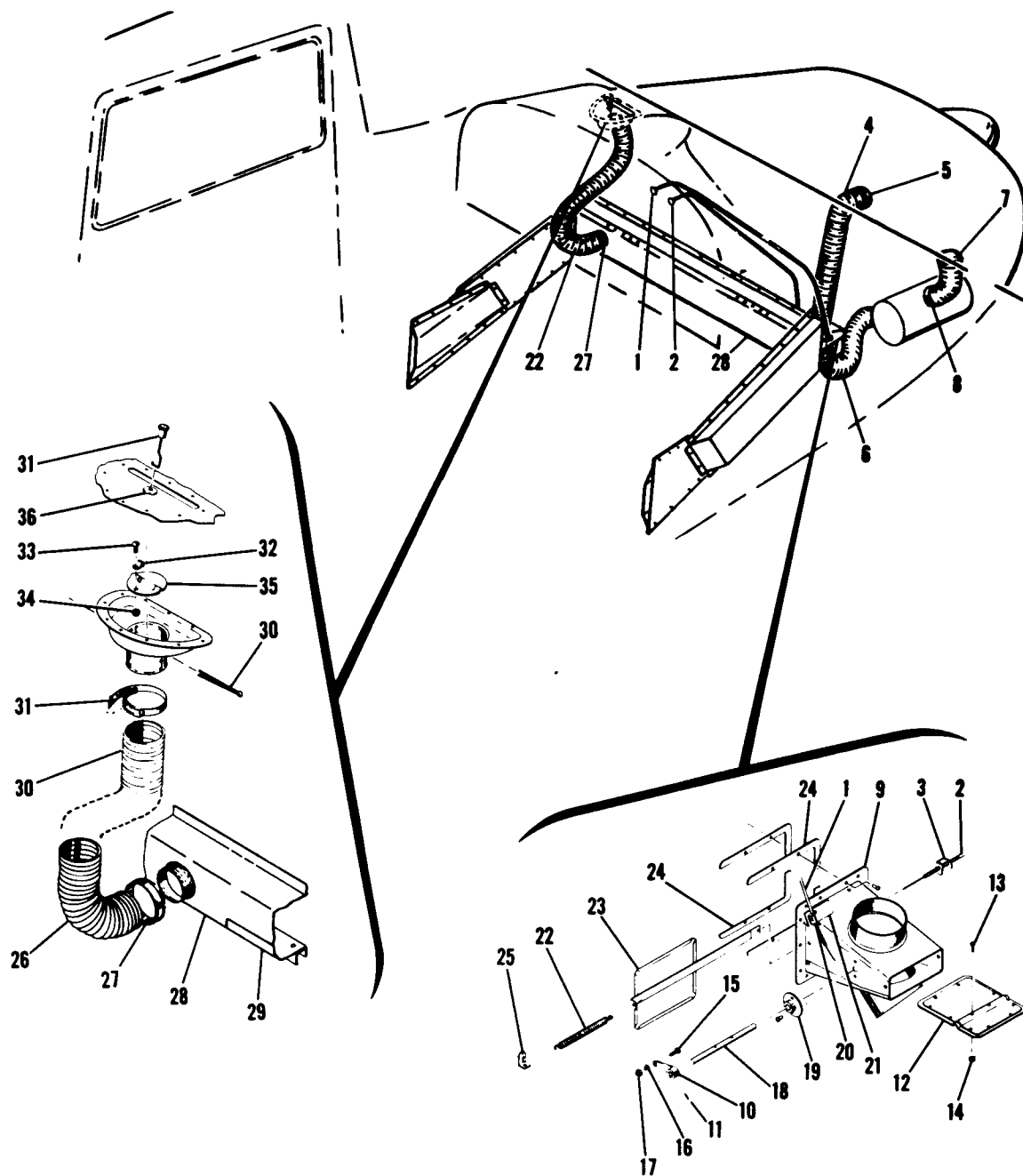
172 SERIAL 28000 THRU 47746

Figure 67. Cabin Heating and Defrosting System Installation

FIGURE AND INDEX NO.	PART NUMBER	DESCRIPTION	UNITS PER ASSY	USABLE ON CODE
		1 2 3 4 5 6 7		
67-		CABIN HEATING AND DEFROSTING SYSTEM INSTALLATION -----	NP	A
- 1	0411090-22	CONTROL ASSEMBLY-CABIN HEAT REF 0411090-5-----	1	
- 2	0411090-13	CONTROL ASSEMBLY-CABIN AIR---- REF 0411090-17-----	1	
- 3	A2980A-3	ATTACHING PARTS	1	
- 4	S-1021Z-8-8	CLAMP TIN ----- 172 SERIAL 28000	1	
		SCREW CESSNA STANDARD ----- THRU 47746	1	
- 5	S-1053E24T	HOSE 20.5 IN LG BULK ITEM REF S-1053E24T20.5	1	
		ATTACHING PARTS		
- 6	NAS398-50	CLAMP -----	2	
- 7	S-1053K24T	HOSE 19.5 IN LG BULK ITEM REF S-1053K24T19.5	1	
		ATTACHING PARTS		
- 8	NAS398-50	CLAMP -----	2	
- 9	S-1053E24T	HOSE 11.0 IN LG BULK ITEM REF S-1053E19T30.0	1	
		ATTACHING PARTS		
- 10	NAS398-50	CLAMP -----	2	
- 11	0713019-20	VALVE ASSEMBLY-CABIN HEATER -----	1	
- 12	0713019-85	PLATE ASSEMBLY-CABIN HEAT VALVE -----	1	
		ATTACHING PARTS		
- 13	AN515-6R9	SCREW -----	2	
- 14	MS20365-632C	NUT -----	2	
- 15	0450311-5	CLAMP -----	1	
- 16	AN960-10L	WASHER -----	1	
- 17	MS20364-1032C	NUT -----	1	
- 18	0713019-24	ARM ASSEMBLY-CABIN HEATER VALVE -----	1	
		ATTACHING PARTS		
- 19	MS16562-16	ROLL PIN -----	1	
- 20	0713019-19	SHAFT-CABIN HEATER VALVE-----	1	
- 21	0713019-41	BUSHING ASSEMBLY-CABIN HEATER VALVE -----	2	
- 22	0450268	CLIP-CABIN HEATER VALVE -----	1	
- 23	0713019-16	ANGLE-CABIN HEATER VALVE-----	1	
- 24	0713019-37	SPRING-CABIN AIR VALVE -----	1	
- 25	0713019-75	VALVE ASSEMBLY-CABIN AIR -----	1	
- 26	0713019-78	SPACER-HEAT VALVE -----	2	
- 27	0713019-35	SPACER-HEAT VALVE -----	2	
- 28	0413151	BRACKET-CABIN AIR VALVE -----	1	
- 29	S-1053E19T	HOSE 30.0 IN LG BULK ITEM REF S-1053E19T30.0	1	
		ATTACHING PARTS		
- 30	NAS397-32	CLAMP -----	2	
- 31	0713019-89	DUCT ASSEMBLY-CABIN HEATER-----	1	
- 32	0713019-87	DUCT-HEATER -----	1	
- 33	0713019-31	ANGLE-UPHOLSTERY RETAINER -----	1	
- 34	0513033-2	DUCT ASSEMBLY-DEFROSTER -----	1	
- 35	0713019-8	VALVE-DEFROSTER DUCT -----	2	
- 36	0513030-2	GUIDE-VALVE -----	2	
- 37	0713019-32	INLET-CABIN HEATER SHROUD -----	1	
		ATTACHING PARTS		
	S-1021Z-8-8	SCREW CESSNA STANDARD -----	4	

		A---172 SERIAL 28000 THRU 47746		
		S-PART NOS. APPEARING ON THIS PAGE ARE CESSNA STANDARDS.		

Heating System (Cont)

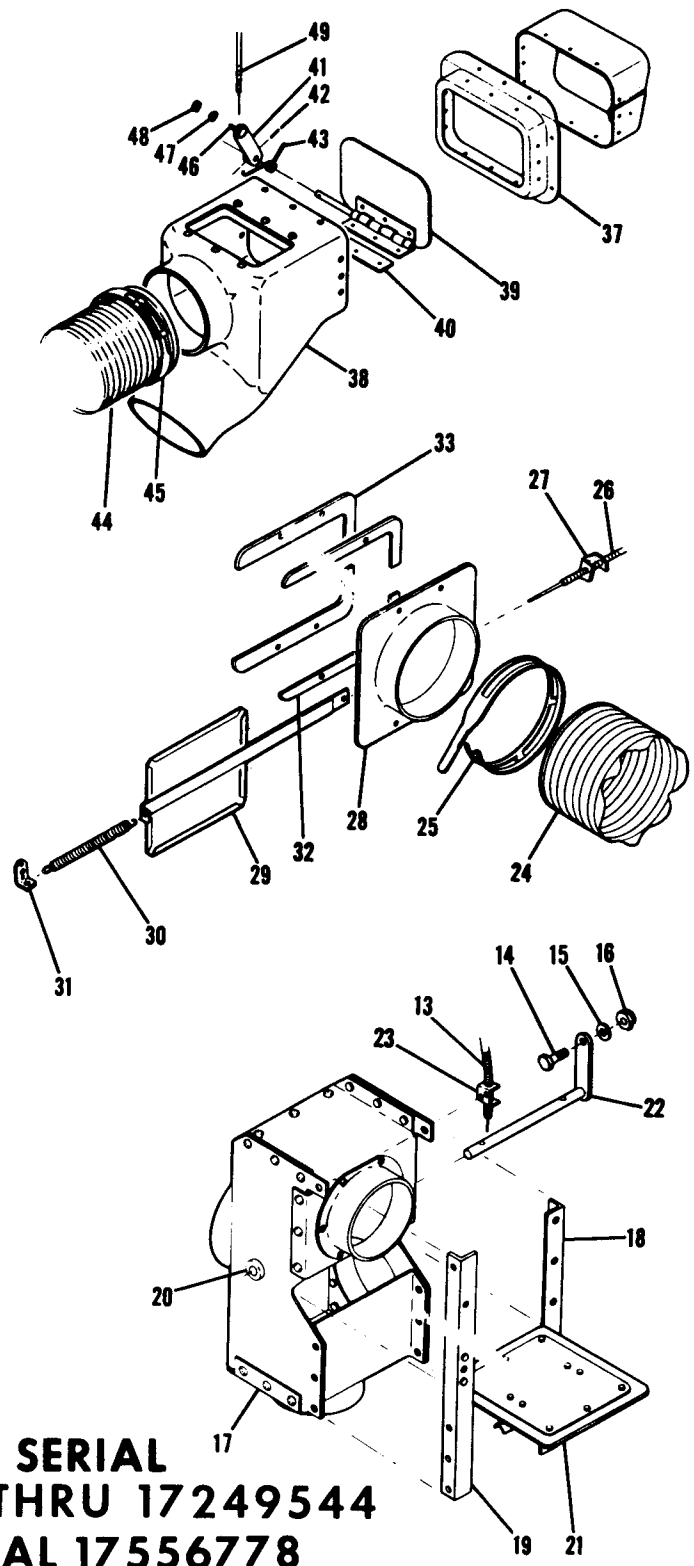
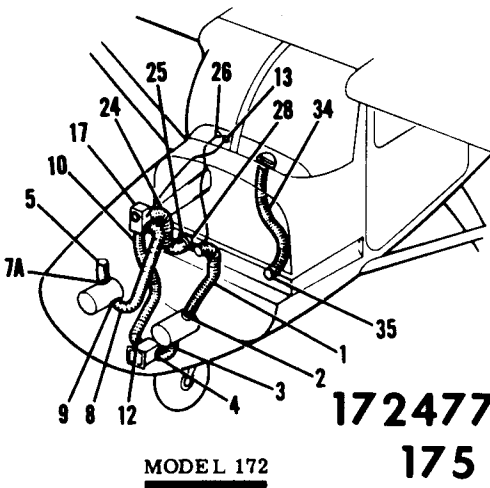
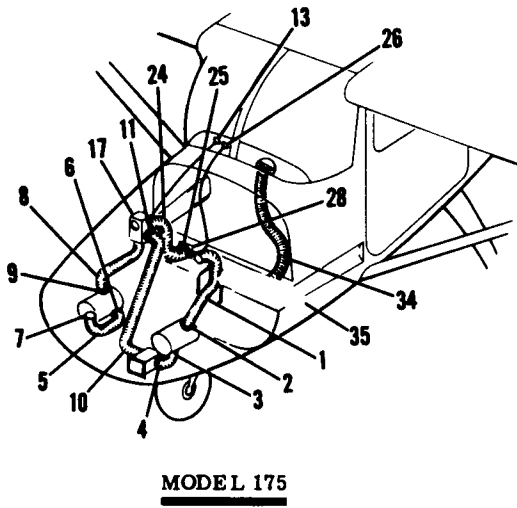
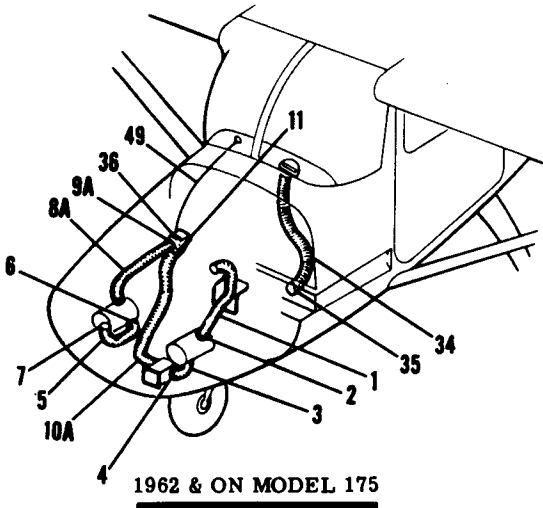


175 SERIAL 55001 THRU 56777

Figure 68. Cabin Heating and Defrosting System Installation

FIGURE AND INDEX NO.	PART NUMBER	DESCRIPTION	UNITS PER ASSY	USABLE ON CODE
68-		1 2 3 4 5 6 7		
- 1	0411090-24	CABIN HEATING AND DEFROSTING SYSTEM INSTALLATION -----	NP	A
- 2	0411090-25	CONTROL ASSEMBLY-CABIN HEAT -----	1	
- 3	0450286	CONTROL ASSEMBLY-CABIN AIR -----	1	
- 4	S-1053E24T	CLIP -----	1	
	S-1053E24T	HOSE 19.0 IN LG BULK ITEM REF S-1053E24T19.0	1	C
	S-1053E24T	HOSE 18.0 IN LG BULK ITEM REF S-1053E24T18.0	1	D
		ATTACHING PARTS -----		
- 5	NAS398-50	CLAMP -----	2	
		-----*		
- 6	S-1053K24T	HOSE 33.0 IN LG BULK ITEM REF S-1053K24T33.0	1	C
	S-1053E24T	HOSE 26.0 IN LG BULK ITEM REF S-1053E24T26.0	1	D
		ATTACHING PARTS -----		
	NAS398-50	CLAMP -----	2	
		-----*		
- 7	S-1053E24T	HOSE 11.5 IN LG BULK ITEM REF S-1053E24T11.5	2	C
	S-1053624T	HOSE 24.0 IN LG BULK ITEM REF S-1053624T24.0	2	D
		ATTACHING PARTS -----		
- 8	NAS398-50	CLAMP -----	2	
		-----*		
- 9	0513109-5	VALVE ASSEMBLY-CABIN HEATER -----	1	
- 10	0713019-24	ARM ASSEMBLY-CABIN HEATER VALVE -----	1	
		ATTACHING PARTS -----		
- 11	MS16562-16	ROLL PIN -----	1	
		-----*		
- 12	0713019-85	PLATE ASSEMBLY-CABIN HEATER VALVE -----	1	
		ATTACHING PARTS -----		
- 13	AN515-6R9	SCREW -----	2	
- 14	MS20365-632C	NUT -----	1	
		-----*		
- 15	0450311-5	CLAMP -----	1	
- 16	AN960-10L	WASHER -----	1	
- 17	MS20364-1032C	NUT -----	1	
- 18	0713019-19	SHAFT-CABIN HEATER VALVE -----	1	
- 19	0713019-41	BUSHING ASSEMBLY-CABIN HEATER VALVE -----	2	
- 20	0450286	CLIP-CABIN HEATER VALVE -----	1	
- 21	0713019-16	ANGLE-CABIN HEATER VALVE -----	1	
- 22	0713019-37	SPRING-CABIN AIR VALVE -----	1	
- 23	0513109-6	VALVE ARM ASSEMBLY-CABIN AIR -----	1	
- 24	0513109-13	SPACER-HEAT VALVE -----	4	
- 25	0413151	BRACKET-CABIN AIR VALVE -----	1	
- 26	S-1053E16T	HOSE 24IN LG-----BULK ITEM-----REF S-1053E16T24.0 -----	1	
		ATTACHING PARTS -----		
- 27	NAS397-32	CLAMP -----	2	
		-----*		
- 28	0513109-2	DUCT ASSEMBLY-CABIN HEATER-----	1	
- 29	0513109-21	RETAINER-UPHOLSTERY-----	1	
- 30	MS24665-362	PIN-COTTER -----	1	B
	0513207-1	DAMPER ASSEMBLY-DEFROSTER OUTLET -----	1	B
- 31	0513206-1	KNOB ASSEMBLY -----	1	B
		ATTACHING PARTS -----		
- 32	A2980A-027	CLAMP TIN -----	1	B
- 33	AN515-8R6	SCREW -----	1	B
- 34	MS20364-832C	NUT -----	1	B
		-----*		
- 35	0513207-2	DAMPER-DEFROSTER OUTLET -----	1	B
- 36	0513205-1	GROMMET -----	1	B
		A---175 SERIAL 55001 THRU 56777		
		B---175 SERIAL 55001 THRU 55703		
		C---175 SERIAL 55001 THRU 56238		
		D---175 SERIAL 56239 THRU 56777		
		S-PART NOS. APPEARING ON THIS PAGE ARE CESSNA STANDARDS.		

Heating System (Cont)



**172 SERIAL
17247747 THRU 17249544
175 SERIAL 17556778
THRU 17557119**

Figure 68A. Cabin Heating and Defrosting System Installation

FIGURE AND INDEX NO.	PART NUMBER	DESCRIPTION	UNITS PER ASSY	USABLE ON CODE
1 2 3 4 5 6 7				
68A-		CABIN HEATING AND DEFROSTING SYSTEM INSTALLATION -----	NP	A
- 1	S-105324T	HOSE 24.0 IN LG BULK ITEM REF S-1053E24T24.0	1	C
	S-1053E24T	HOSE 22.25 IN LG BULK ITEM REF S-1053E24T22.25	1	B
		ATTACHING PARTS		
- 2	NAS398-50	CLAMP -----	2	
		-----*		
- 3	S-1053K24T	HOSE 18.0 IN LG BULK ITEM REF S-1053K24T18.0	1	C
	S-1053K24T	HOSE 16.75 IN LG BULK ITEM REF S-1053K24T16.75	1	B
		ATTACHING PARTS		
- 4	NAS398-50	CLAMP -----	2	
		-----*		
- 5	S-1053K24T	HOSE 31.0 IN LG BULK ITEM REF S-1053E24T31.0	1	C
	S-1053E24T	HOSE 12.0 IN LG BULK ITEM REF S-1053E24T12.0	1	B
		ATTACHING PARTS		
- 6	AN742D50	CLAMP -----	1	C
- 7	NAS434D12	CLAMP -----	1	C
	S-1021Z-8-8	SCREW CESSNA STANDARD -----	1	C
- 7A	NAS398-50	CLAMP -----	1	B
		-----*		
- 8	S-1053K24T	HOSE 20.0 IN LG BULK ITEM REF S-1053K24T20.0	1	F
	S-1053K24T	HOSE 32.0 IN LG BULK ITEM REF S-1053K24T32.0	1	B
- 8A	S-1053K24T	HOSE 23.0 IN LG BULK ITEM REF S-1053K24T23.0	1	E
		ATTACHING PARTS		
- 9	NAS398-50	CLAMP -----	2	
- 9A	AN742D50	CLAMP -----	1	E
		-----*		
- 10	S-1053K24T	HOSE 30.0 IN LG BULK ITEM REF S-1053K24T30.0	1	F
	S-1053K24T	HOSE 29.0 IN LG BULK ITEM REF S-1053K24T29.0	1	B
-10A	S-1053K24T	HOSE 24.5 IN LG BULK ITEM REF S-1053K24T24.5	1	E
		ATTACHING PARTS		
	NAS434D12	CLAMP -----	1	C
- 11	NAS434D10	CLAMP -----	1	C
- 12	NAS398-50	CLAMP -----	2	B
		-----*		
- 13	0713302-5	CONTROL ASSEMBLY-CABIN HEAT VALVE REF 0513159-16 -----	1	B
	0713302-5	CONTROL ASSEMBLY-CABIN HEAT VALVE REF 0513159-20 -----	1	C
		ATTACHING PARTS		
- 14	0450311-5	CLAMP -----	1	
- 15	AN960-10L	WASHER -----	1	
- 16	MS20365-1032C	NUT -----	1	
		-----*		
- 17	0555188-1	VALVE ASSEMBLY-CABIN HEAT -----	1	D
		ATTACHING PARTS		
- 18	0555181-8	ANGLE-CABIN HEAT VALVE	1	D
- 19	0555181-10	ANGLE-CABIN HEAT VALVE	1	D
		-----*		
- 20	S-1080-1	GROMMET CESSNA STANDARD ---	2	
- 21	0555188-13	PLATE ASSEMBLY-CABIN HEAT VALVE	1	
- 22	0555188-11	SHAFT ASSEMBLY-CABIN HEAT VALVE	1	
- 23	0450286	CLIP-CABIN HEAT CONTROL	1	
- 24	S-1053K32T	HOSE 21.0 IN LG BULK ITEM REF S-1053K32T21.0	1	F
	S-1053K32T	HOSE 20.0 IN LG BULK ITEM REF S-1053K32T20.0	1	B
		ATTACHING PARTS		
- 25	NAS398-66	CLAMP -----	2	
		-----*		

S-PART NOS. APPEARING ON THIS PAGE ARE CESSNA STANDARDS.

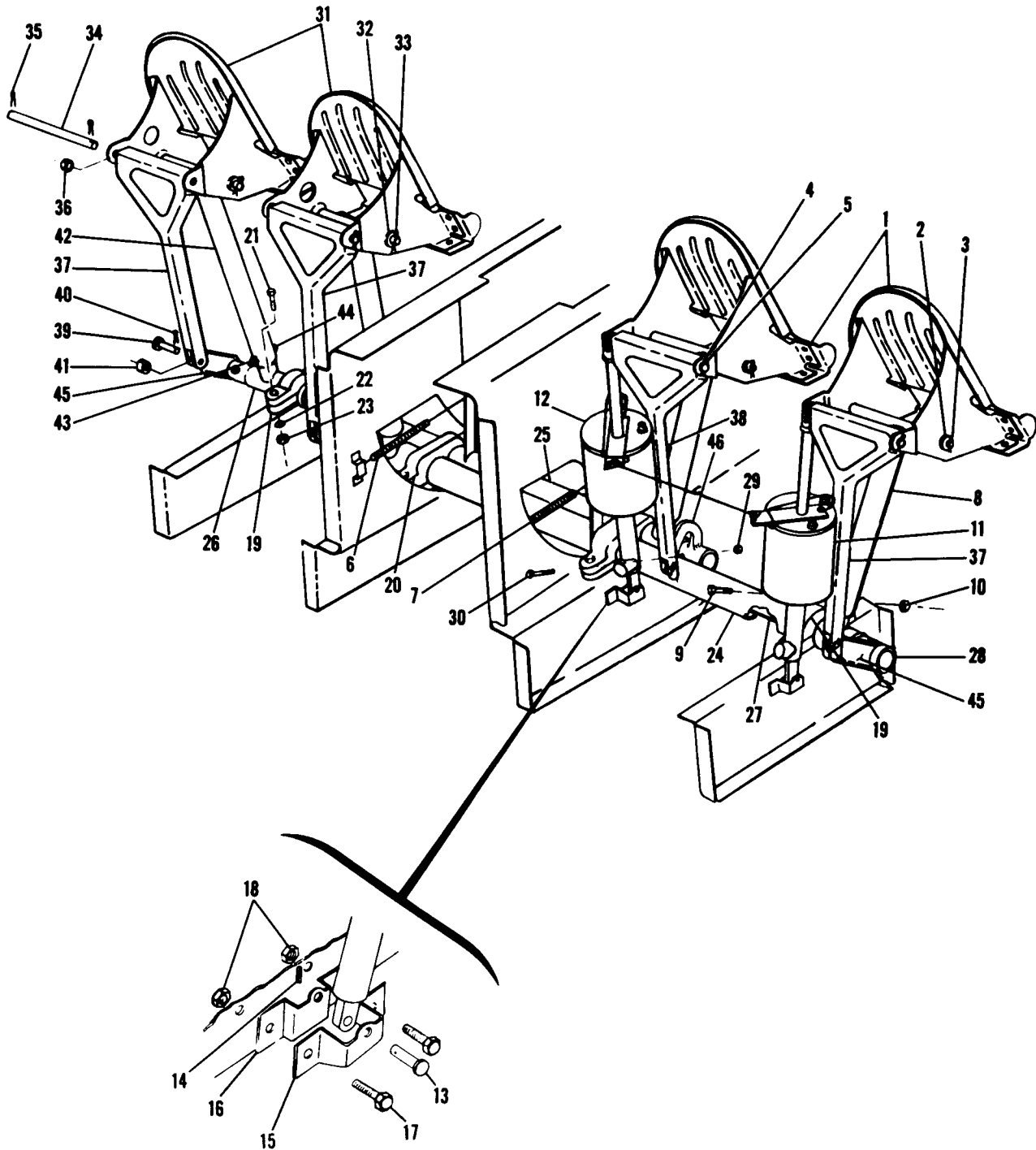
CONTINUED ON PAGE 238

172 SERIAL
 17247747 THRU
 17249544
 175 SERIAL 17556778
 THRU 17557119

FIGURE AND INDEX NO.	PART NUMBER	DESCRIPTION							UNITS PER ASSY	USABLE ON CODE
		1	2	3	4	5	6	7		
68A- 26	0713302-6	CONTROL ASSEMBLY-CABIN AIR VALVE REF 0513159-7-----							1	
- 27	0450286	CLIP-CABIN AIR CONTROL -----							1	
- 28	0513109-39	ADAPTER-CABIN AIR VALVE -----							1	D
- 29	0513109-6	VALVE ARM ASSEMBLY-CABIN AIR -----							1	D
- 30	0513178-1	SPRING-CABIN AIR VALVE -----							1	D
- 31	0413151	BRACKET-CABIN AIR VALVE -----							1	
- 32	0513109-13	SPACER-CABIN AIR VALVE -----							2	D
- 33	0513109-40	SPACER-CABIN AIR VALVE -----							2	D
- 34	S-1053E16T	HOSE 24.0 IN LG BULK ITEM REF S-1053E16T24.0 CESSNA STANDARD ATTACHING PARTS							1	
- 35	A3499-32-3	CLAMP TIN -----							1	
- 36	0753011-2	VALVE ASSEMBLY-WARM AIR -----							1	E
- 37	0753010-1	SEAT-WARM AIR VALVE-----							1	E
- 38	0553001-1	BODY ASSEMBLY VALVE-----							1	E
- 39	1253034-1	PLATE ASSEMBLY-VALVE -----							1	E
- 40	1253040-1	SHIM-----							1	E
- 41	1253033-2	REINFORCEMENT -----							1	E
- 41	1253037-1	ARM-CONTROL -----							1	E
- 42	NAS561C2-8	ATTACHING PARTS ROLL PIN -----							1	E
- 43	1253041-1	SPRING-WARM AIR VALVE -----							1	E
- 44	S-1053K24T	HOSE 24.5 IN LONG-----BULK ITEM-----REF S-1053K24T24.5 CESSNA STANDARD							1	E
- 45	NAS398-66	CLAMP -----							2	E
- 46	0450311-5	CLAMP -----							1	E
- 47	AN960-10L	WASHER-----							1	E
- 48	MS20365-1032C	NUT -----							1	E
- 49	0713302-5	CONTROL-CABIN HEAT REF 0513159-20 -----							1	E
		A---172 SERIAL 17247747 THRU 17249544 175 SERIAL 17556778 THRU 17557119								
		B---172 SERIAL 17247747 THRU 17249544								
		C---175 SERIAL 17556778 THRU 17557119								
		D---172 SERIAL 17247747 THRU 17249544 175 SERIAL 17556778 THRU 17557002								
		E---175 SERIAL 17557003 THRU 17557119								
		F---175 SERIAL 17556778 THRU 17557002								

This page intentionally left blank.

Flight Controls



172 SERIAL 28000 THRU 17249544
175 SERIAL 55001 THRU 17557119

Figure 69. Brake and Rudder Pedal Installation

FIGURE AND INDEX NO.	PART NUMBER	DESCRIPTION	UNITS PER ASSY	USABLE ON CODE
		1 2 3 4 5 6 7		
69-		PEDAL INSTALLATION-RUDDER & BRAKE LH	NP	
- 1	0310453	PEDAL-BRAKE & RUDDER ATTACHING PARTS	2	
- 2	0411369-2	SHAFT	1	
- 3	MS24665-285	PIN-COTTER	2	
- 4	0411778-3	SHAFT	1	
- 5	MS24665-132	PIN-COTTER	2	
- 6	0310196-12	SPRING-BRAKE & RUDDER RETURN RH	1	
- 7	0310196-5	SPRING-BRAKE & RUDDER RETURN LH	1	
- 8	0411307	ARM-RUDDER BAR ATTACHING PARTS	2	
- 9	AN3-11A	BOLT	1	
- 10	MS20365-1032C	NUT	1	
- 11	0541138-13	CYLINDER ASSEMBLY-BRAKE LH	1	C
	0541138-17	CYLINDER ASSEMBLY-BRAKE LH	1	C
	0541138-20	CYLINDER ASSEMBLY-BRAKE	1	D
- 12	0541138-12	CYLINDER ASSEMBLY-BRAKE RH	1	C
	0541138-18	CYLINDER ASSEMBLY-BRAKE RH	1	C
	0541138-20	CYLINDER ASSEMBLY-BRAKE	1	D
- 13	MS20392-2-15	ATTACHING PARTS	1	
- 14	MS24665-132	PIN	1	
- 15	0411550	PIN-COTTER	1	
- 16	0411549	BRACKET-BRAKE CYLINDER OUTSIDE	2	
- 17	AN3-4A	BRACKET-BRAKE CYLINDER INSIDE	2	
- 18	MS20365-1032C	ATTACHING PARTS	2	
- 19	0411263	BOLT	2	
- 20	0411264	NUT	2	
	0411263-5	BEARING ASSEMBLY-OUTBOARD	2	E
	0411263-6	WHEN EXHAUSTED USE 0411263-5 & -6	2	
	0411264-5	BEARING ASSEMBLY-INBOARD	2	E
	0411264-6	WHEN EXHAUSTED USE 0411264-5 & -6	2	
- 21	AN3-14A	BEARING-UPPER OUTBOARD	2	
- 22	AN960-10	BEARING-LOWER OUTBOARD	2	
- 23	MS20365-1032C	BEARING-UPPER INBOARD	2	
		BEARING-LOWER INBOARD	2	
- 24	0411306-3	ATTACHING PARTS	1	
- 25	0411306-2	BOLT	1	
- 26	S-1003-43A	WASHER	4	
- 27	0411565	NUT	2	
- 28	0411562	WELD ASSEMBLY	4	
- 29	MS20365-1032C	WELD ASSEMBLY	2	
- 30	AN3-10A	BEARING CESSNA STANDARD	1	
		TUBE-DUAL BRAKE	2	
		HUB-DUAL BRAKE	4	
		ATTACHING PARTS	1	
- 31	0310453	NUT	1	
- 32	0411369-2	BOLT	1	
- 33	MS24665-285	PEDAL INSTALLATION-BRAKE & RUDDER RH	2	
- 34	0411778-2	PEDAL-BRAKE & RUDDER	2	
- 35	MS24665-132	ATTACHING PARTS	1	
- 36	NAS42-6-8	SHAFT	1	
		PIN-COTTER	2	
		SHAFT	1	
		PIN-COTTER	2	
		SPACER	1	

NOTE. FOR ACCESSORY KIT LISTINGS REFER TO PAGE 364

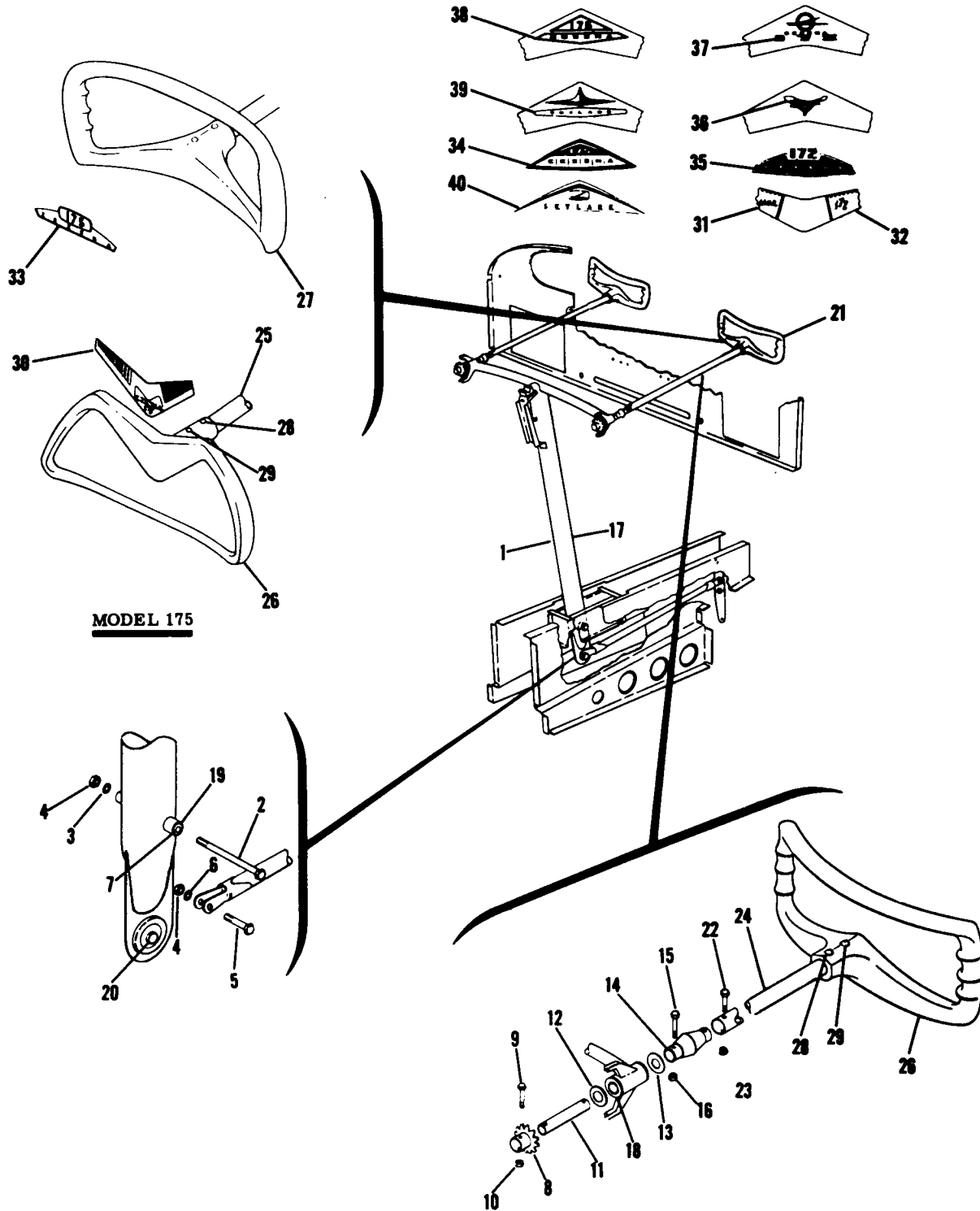
CONTINUED ON PAGE 242



FIGURE AND INDEX NO.	PART NUMBER	DESCRIPTION							UNITS PER ASSY	USABLE ON CODE
		1	2	3	4	5	6	7		
69- 37	0411564	LINK-DUAL BRAKES-----							3	
- 38	0411564-3	LINK-DUAL BRAKES-----							1	
		ATTACHING PARTS-----								
- 39	MS20392-2-15	PIN-----							1	
- 40	MS24665-132	PIN-COTTER-----							1	
- 41	NAS43-3-12	SPACER-----							1	
		-----*								
- 42	0411307	ARM-RUDDER BAR-----							2	
		ATTACHING PARTS-----								
- 43	AN3-11A	BOLT-----							1	
- 44	MS20365-1032C	NUT-----							1	
		-----*								
- 45	0411563	BELLCRANK ASSEMBLY-----							3	
- 46	0411573- 1	BELLCRANK ASSEMBLY-----							1	
<p>A---DELETED B---DELETED C---175 SERIAL 55001 THRU 56134 172 SERIAL 28000 THRU 46664 D---175 SERIAL 56135 THRU 17557119 172 SERIAL 46665 THRU 17249544 E---172 SERIAL 28000 THRU 46739 175 SERIAL 55001 THRU 56173</p> <p>*WHEN ORDERING THIS PART PRIOR TO 172 SERIAL 46740 OR 175 SERIAL 56173, ORDER BOTH UPPER & LOWER BEARING HALVES.</p> <p>NOTE. FOR ACCESSORY KIT LISTINGS REFER TO PAGE 364</p>										

This page intentionally left blank.

Flight Controls (Cont)



172 SERIAL 28000 THRU 17249544
175 SERIAL 55001 THRU 17557119

Figure 70. Control Tee Installation

FIGURE AND INDEX NO.	PART NUMBER	DESCRIPTION	UNITS PER ASSY	USABLE ON CODE
70-		1 2 3 4 5 6 7		
- 1	0411221-3 0411221-4	CONTROL TEE INSTALLATION CONTROL TEE ASSEMBLY --- CONTROL TEE ASSEMBLY --- ATTACHING PARTS	NP 1 1	A E
- 2	AN4-31	BOLT -----	1	
- 3	AN960-416L	WASHER-----	1	
- 4	MS20365-428C	NUT -----	2	
- 5	AN4-11A AN4-10A	BOLT ----- BOLT -----	1 1	A E
- 6	AN960-416	WASHER-----	1	
- 7	S-18-30	BUSHING CESSNA STANDARD -----	1	
- 8	0411047	SPROCKET-AILERON CHAIN ----- ATTACHING PARTS	2	
- 9	AN3-11A	BOLT-----	1	
- 10	MS20365-1032C	NUT -----	1	
- 11	0411255	SHAFT -----	2	
- 12	AN960-816	WASHER -----	2	
- 13	AN960A816L	WASHER -----	AR	
- 14	0411257	UNIVERSAL JOINT ----- ATTACHING PARTS	2	
- 15	AN3-10A	BOLT-----	1	
- 16	MS20365-1032C	NUT -----	1	
- 17	0411326-3 0411326-4	MACHINING ASSEMBLY-CONTROL TEE ----- MACHINING ASSEMBLY-CONTROL TEE -----	1 1	A E
- 18	F-620	BUSHING---AXD -----	4	
- 19	B-610 B610-P B610-OH	BEARING---TOR ----- BEARING---TOR ----- BEARING---TOR -----	2 2 2	
- 20	AN200KP4	BEARING-----	1	
- 21	0513127 0513127-4 0513127-5 0513167-4 0513136-1 0513167-2 0513167-5 0513167-6 0513182-8 0513182-2 0513182-3 0513182-4	CONTROL WHEEL ASSEMBLY ----- CONTROL WHEEL ASSEMBLY ----- CONTROL WHEEL ASSEMBLY ----- CONTROL WHEEL ASSEMBLY ----- CONTROL WHEEL ASSEMBLY ----- CONTROL WHEEL ASSEMBLY ----- CONTROL WHEEL ASSEMBLY ----- CONTROL WHEEL ASSEMBLY ----- CONTROL WHEEL ASSEMBLY ----- CONTROL WHEEL ASSEMBLY ----- CONTROL WHEEL ASSEMBLY ----- CONTROL WHEEL ASSEMBLY ----- CONTROL WHEEL ASSEMBLY ----- CONTROL WHEEL ASSEMBLY ----- CONTROL WHEEL ASSEMBLY ----- CONTROL WHEEL ASSEMBLY -----	2 2 2 2 2 2 2 2 2 2 2 2 2 2 2 2	C D F O G H L M S R T U
- 22	AN3-10A	BOLT -----	1	
- 23	MS20365-1032C	NUT -----	1	
- 24	0413213-1 0413213-4 0413213-6	TUBE-CONTROL ----- TUBE CONTROL ----- TUBE-CONTROL -----	1 1 1	C D P
- 25	0413213-2	TUBE CONTROL -----	1	B
- 26	0513136-4	WHEEL -----	1	G
- 27	0513168-2	WHEEL ----- ATTACHING PARTS	1	J
- 28	0413216	RIVET -----	1	
- 29	0413216-4	RIVET -----	1	

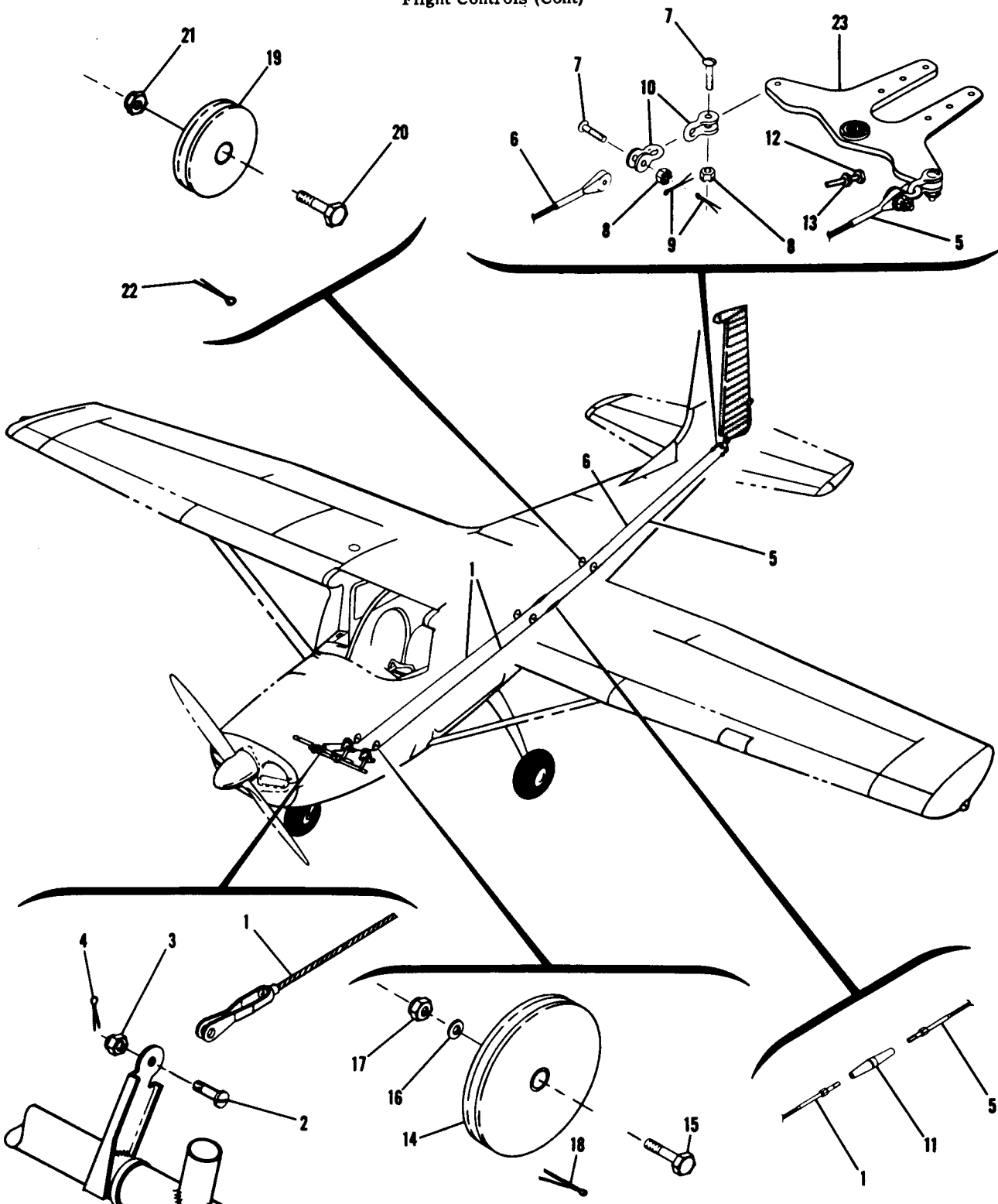
NOTE. FOR ACCESSORY KIT LISTINGS REFER TO PAGE 364

CONTINUED ON PAGE 246

FIGURE AND INDEX NO.	PART NUMBER	DESCRIPTION							UNITS PER ASSY	USABLE ON CODE
		1	2	3	4	5	6	7		
70- 30	0513140-1	OVERLAY -----							1	G Q H L O S R T U M
- 31	0513143-1	OVERLAY-CESSNA -----							1	
- 32	0513143-2	OVERLAY-172 -----							1	
- 33	0513170-1	OVERLAY -----							1	
- 34	0500066-7	EMBLEM -----							1	
- 35	0500066-6	OVERLAY -----							1	
- 36	0500109-3	PLACARD -----							1	
- 37	0500084-1	PLACARD -----							1	
- 38	0500089-1	PLACARD -----							1	
- 39	0500089-4	PLACARD -----							1	
- 40	0500066-5	EMBLEM -----							1	
		A---172 SERIAL 28000 THRU 36965								
		B---175 SERIAL 55001 THRU 17557119								
		172 SERIAL 17247747 THRU 17249544								
		C---172 SERIAL 28000 THRU 36215								
		D---172 SERIAL 36216 THRU 36965								
		E---172 SERIAL 36966 THRU 17249544								
		175 SERIAL 55001 THRU 17557119								
		F---172 SERIAL 36966 THRU 46754								
		G---175 SERIAL 55001 THRU 55703								
		H---175 SERIAL 55704 THRU 56238								
		J---175 SERIAL 55704 THRU 17557119								
		172 SERIAL 28000 THRU 17249544								
		L---175 SERIAL 56239 THRU 56777								
		M---175 SKYLARK SERIAL 56239 THRU 56777								
		O---172 SERIAL 46755 THRU 47746								
		P---172 SERIAL 36966 THRU 47746								
		Q---172 SERIAL 36216 THRU 46754								
		R---172 SERIAL 17247747 THRU 17249544								
		S---172 SKYHAWK SERIAL 17247747 THRU 17249544								
		T---175 SERIAL 17556778 THRU 17557119								
		U---175 SKYLARK SERIAL 17556778 THRU 17557119								

This page intentionally left blank.

Flight Controls (Cont)

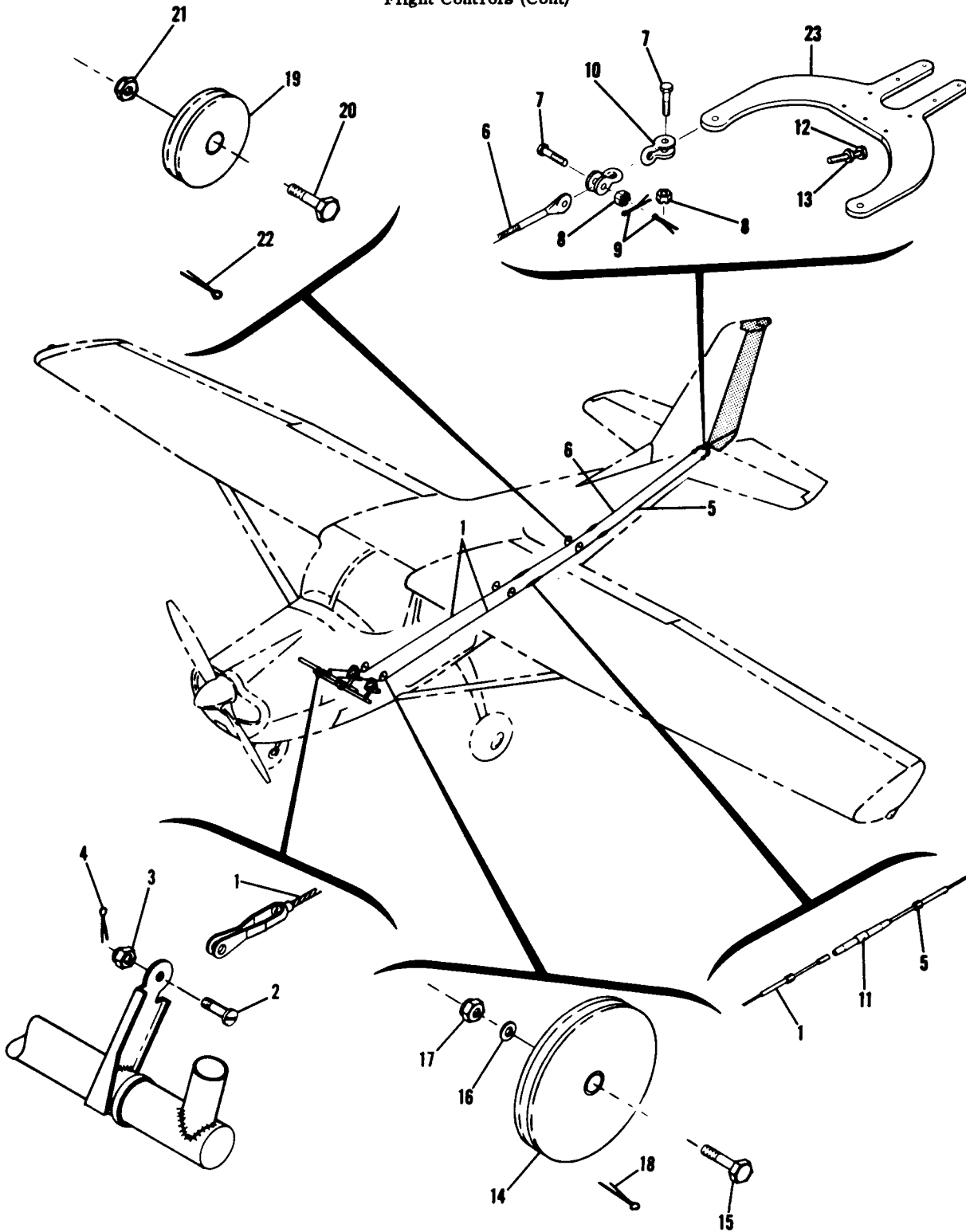


172 SERIAL 28000 THRU 46754
175 SERIAL 55001 THRU 56238

Figure 71. Rudder Control System Installation

FIGURE AND INDEX NO.	PART NUMBER	DESCRIPTION	UNITS PER ASSY	USABLE ON CODE
		1 2 3 4 5 6 7		
71-		RUDDER CONTROL SYSTEM INSTALLATION -----	NP	A
- 1	0510105-39 0510105-139	CABLE-FORWARD ----- CABLE-STAINLESS STEEL FORWARD ----- ATTACHING PARTS -----	2 2	
- 2	AN23-10	BOLT -----	1	
- 3	AN310-3	NUT -----	1	
- 4	MS24665-134	PIN-COTTER -----	1	
		172 SERIAL 28000 THRU 46754		
- 5	0510105-56 0510105-156	CABLE-AFT LH ----- CABLE-STAINLESS STEEL AFT LH -----	1 1	
- 6	0510105-55 0510105-155	CABLE-AFT RH ----- CABLE-STAINLESS STEEL AFT RH ----- ATTACHING PARTS -----	1 1 1	
- 7	AN23-11	BOLT -----	2	
- 8	AN310-3	NUT -----	2	
- 9	MS24665-134	PIN-COTTER -----	2	
- 10	AN115-21	SHACKLE -----	2	
		175 SERIAL 55001 THRU 56238		
- 11	AN155832S	BARREL -----	2	
- 12	NAS428H3-12	BOLT-RUDDER STOP -----	2	
- 13	AN315-3R	NUT-RUDDER STOP -----	2	
- 14	S-378-4	PULLEY-----CESSNA STANDARD----- ATTACHING PARTS -----	2	
- 15	AN4-14A	BOLT -----	1	
- 16	AN960-416L	WASHER -----	1	
- 17	MS20365-428C	NUT -----	1	
- 18	MS24665-355	PIN-COTTER -----	2	
- 19	S-378-3L	PULLEY-----CESSNA STANDARD----- ATTACHING PARTS -----	4	
- 20	AN4-10A	BOLT -----	1	
- 21	MS20365-428C	NUT -----	1	
- 22	MS24665-136	PIN-COTTER -----	4	
- 23	0533132	BELLCRANK ASSEMBLY SEE FIGURE 14 -----	1	
		A---172 SERIAL 28000 THRU 46754 175 SERIAL 55001 THRU 56238		

Flight Controls (Cont)

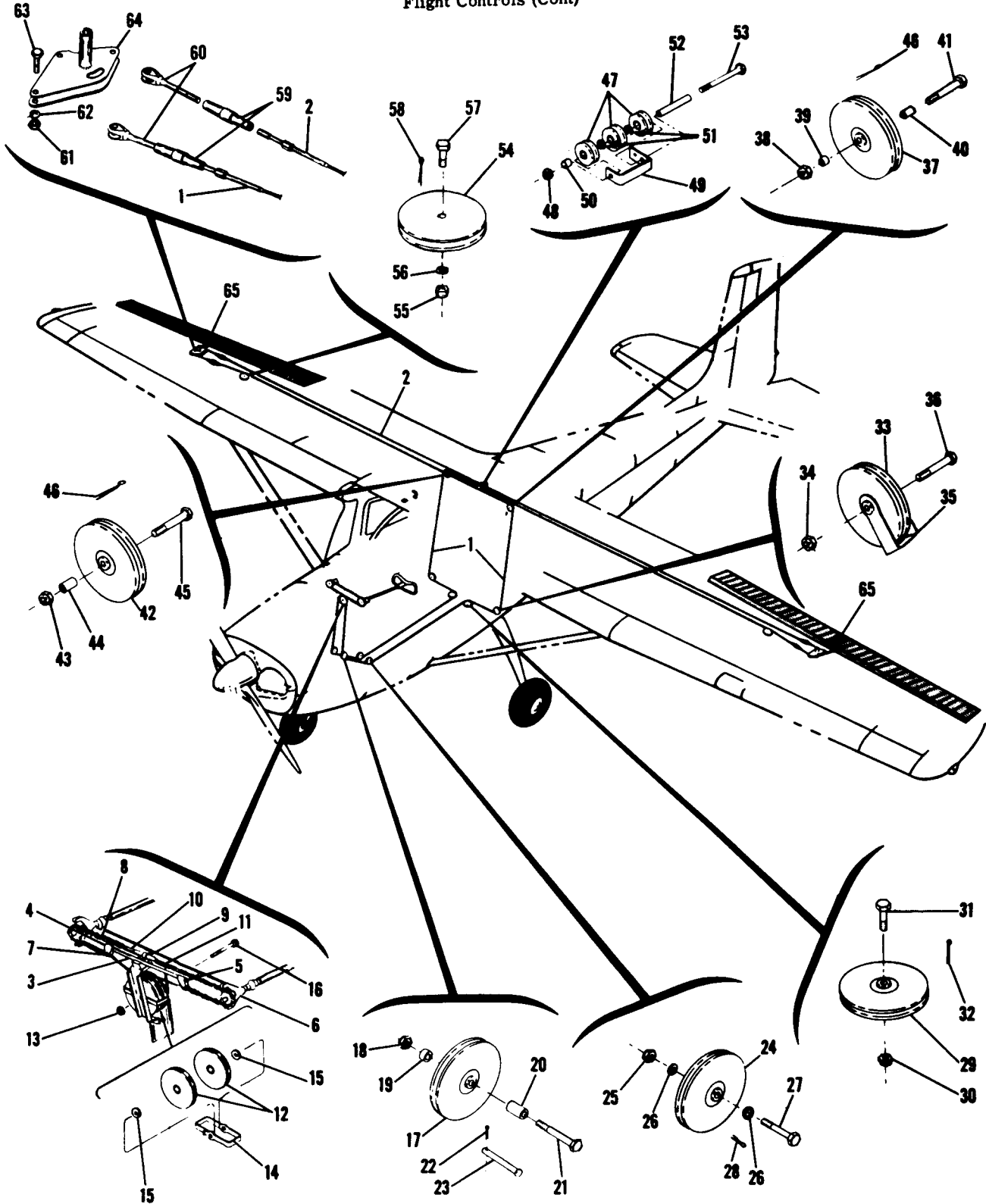


172 SERIAL 46755 THRU 17249544
175 SERIAL 56239 THRU 17557119

Figure 71A. Rudder Control System Installation

FIGURE AND INDEX NO.	PART NUMBER	DESCRIPTION	UNITS PER ASSY	USABLE ON CODE
		1 2 3 4 5 6 7		
71A-		RUDDER CONTROL SYSTEM INSTALLATION -----	NP	A
- 1	0510105-39 0510105-139	CABLE-FORWARD ----- CABLE-STAINLESS STEEL FORWARD ----- ATTACHING PARTS -----	2 2	
- 2	AN23-10	BOLT -----	1	
- 3	AN310-3	NUT -----	1	
- 4	MS24665-134	PIN-COTTER -----	1	
		*-----		
- 5	0510105-75 0510105-80 0510105-175 0510105-180	CABLE-AFT LH ----- CABLE-AFT LH ----- CABLE-STAINLESS STEEL AFT LH ----- CABLE-STAINLESS STEEL AFT LH -----	1 1 1 1	B C B C
- 6	0510105-76 0510105-81 0510105-176 0510105-181	CABLE-AFT RH ----- CABLE-AFT RH ----- CABLE-STAINLESS STEEL AFT RH ----- CABLE-STAINLESS STEEL AFT RH ----- ATTACHING PARTS -----	1 1 1 1	D C B C
- 7	AN23-11	BOLT -----	2	
- 8	AN310-3	NUT -----	2	
- 9	MS24665-134	PIN-COTTER -----	2	
- 10	AN115-21	SHACKLE ----- *-----	2	
- 11	AN155B32S	BARREL -----	2	
- 12	NAS428H3-12	BOLT-RUDDER STOP -----	2	
- 13	AN315-3R	NUT-RUDDER STOP -----	2	
- 14	S-378-4	PULLEY-----CESSNA STANDARD----- ATTACHING PARTS' -----	2	
- 15	AN4-14A	BOLT -----	1	
- 16	AN960-416L	WASHER -----	1	
- 17	MS20365-428C	NUT ----- *-----	1	
- 18	MS24665-355	PIN-COTTER -----	2	
- 19	S-378-3L	PULLEY-----CESSNA STANDARD----- ATTACHING PARTS -----	4	
- 20	AN4-10A	BOLT -----	1	
- 21	MS20365-428C	NUT ----- *-----	1	
- 22	MS24665-136	PIN-COTTER -----	4	
- 23	0531008-1 *	HORN SEE FIGURE 14A -----	i	
		A---172 SERIAL 46755 THRU 17249544 175 SERIAL 56239 THRU 17557119 B---172 SERIAL 46755 THRU 47298 C---172 SERIAL 47299 THRU 17249544 175 SERIAL 56239 THRU 17557119		
		NOTE. WHEN ORDERING PART MARKED * FOR 172 AIRCRAFT SERIAL 46755 THRU SERIAL 47298 ALSO ORDER PARTS MARKED #.		

Flight Controls (Cont)



172 SERIAL 28000
THRU 17249544

Figure 72. Aileron Control System Installation

175 SERIAL 55001
THRU 17557119

FIGURE AND INDEX NO.	PART NUMBER	DESCRIPTION	UNITS PER ASSY	USABLE ON CODE
		1 2 3 4 5 6 7		
72-		AILERON CONTROL SYSTEM INSTALLATION -----	NP	
- 1	0510105-16	CABLE-AILERON CONTROL -----	2	A
	0510105-116	CABLE-AILERON CONTROL STAINLESS STEEL -----	2	A
	0510105-72	CABLE-AILERON CONTROL -----	2	B
	0510105-172	CABLE-AILERON CONTROL STAINLESS STEEL -----	2	B
- 2	0510105-13	CABLE-AILERON CARRY THRU -----	1	
	0510105-113	CABLE-AILERON CARRY THRU STAINLESS STEEL -----	1	
- 3	0411880	BAR ASSEMBLY-AILERON CARRY THRU -----	1	
- 4	0411881	TUBE ASSEMBLY-AILERON CARRY THRU -----	1	
		ATTACHING PARTS -----		
- 5	MS20365-428C	NUT -----	2	
		172 SERIAL 28000		
- 6	0411051	CHAIN ASSEMBLY -----	1	
		ATTACHING PARTS -----		
- 7	MS24665-3	PIN-COTTER -----	2	
	AN21-12	BOLT-CLEVIS -----	2	
	AN320-1	NUT -----	2	
		175 SERIAL 55001		
- 8	0411051-4	CHAIN -----	2	
- 9	AN1558325	BARREL-TURNBUCKLE -----	1	
- 10	NAS288-35LH	TERMINAL -----	1	
- 11	NAS288-35RH	TERMINAL -----	1	
- 12	S-378-4	PULLEY-----CESSNA STANDARD-----	2	
		ATTACHING PARTS -----		
- 13	MS20365-428C	NUT -----	1	
- 14	0411232	GUARD-CABLE -----	1	
- 15	AN960-416	WASHER -----	2	
- 16	AN4-33A	BOLT -----	1	

- 17	S-378-4	PULLEY-----CESSNA STANDARD-----	2	
		ATTACHING PARTS -----		
- 18	MS20365-428C	NUT -----	1	
- 19	0510136	SPACER -----	1	
- 20	0510137	SPACER -----	1	
- 21	AN4-21A	BOLT -----	1	

- 22	MS24665-130	PIN-COTTER -----	2	
- 23	MS20392-1-57	PIN -----	2	
- 24	S-378-4	PULLEY-----CESSNA STANDARD-----	2	
		ATTACHING PARTS -----		
- 25	MS20365-428C	NUT -----	1	
- 26	AN960-416L	WASHER -----	2	
- 27	AN4-14A	BOLT -----	1	

- 28	MS24665-355	PIN-COTTER -----	2	
- 29	S-378-4	PULLEY-----CESSNA STANDARD-----	2	
		ATTACHING PARTS -----		
- 30	MS20365-428C	NUT -----	1	
- 31	AN4-10A	BOLT -----	1	

- 32	MS24665-136	PIN-COTTER -----	2	
- 33	S-378-4	PULLEY-----CESSNA STANDARD-----	2	
		ATTACHING PARTS -----		
- 34	MS20365-428C	NUT -----	1	
- 35	0512135	GUARD-CABLE -----	1	
- 36	AN4-21A	BOLT -----	1	

- 37	S-378-4	PULLEY-----CESSNA STANDARD-----	1	
		ATTACHING PARTS -----		
- 38	MS20365-428C	NUT -----	1	
- 39	NAS43-4-16	SPACER -----	1	
- 40	NAS43-4-28	SPACER -----	1	
- 41	AN4-15A	BOLT -----	1	

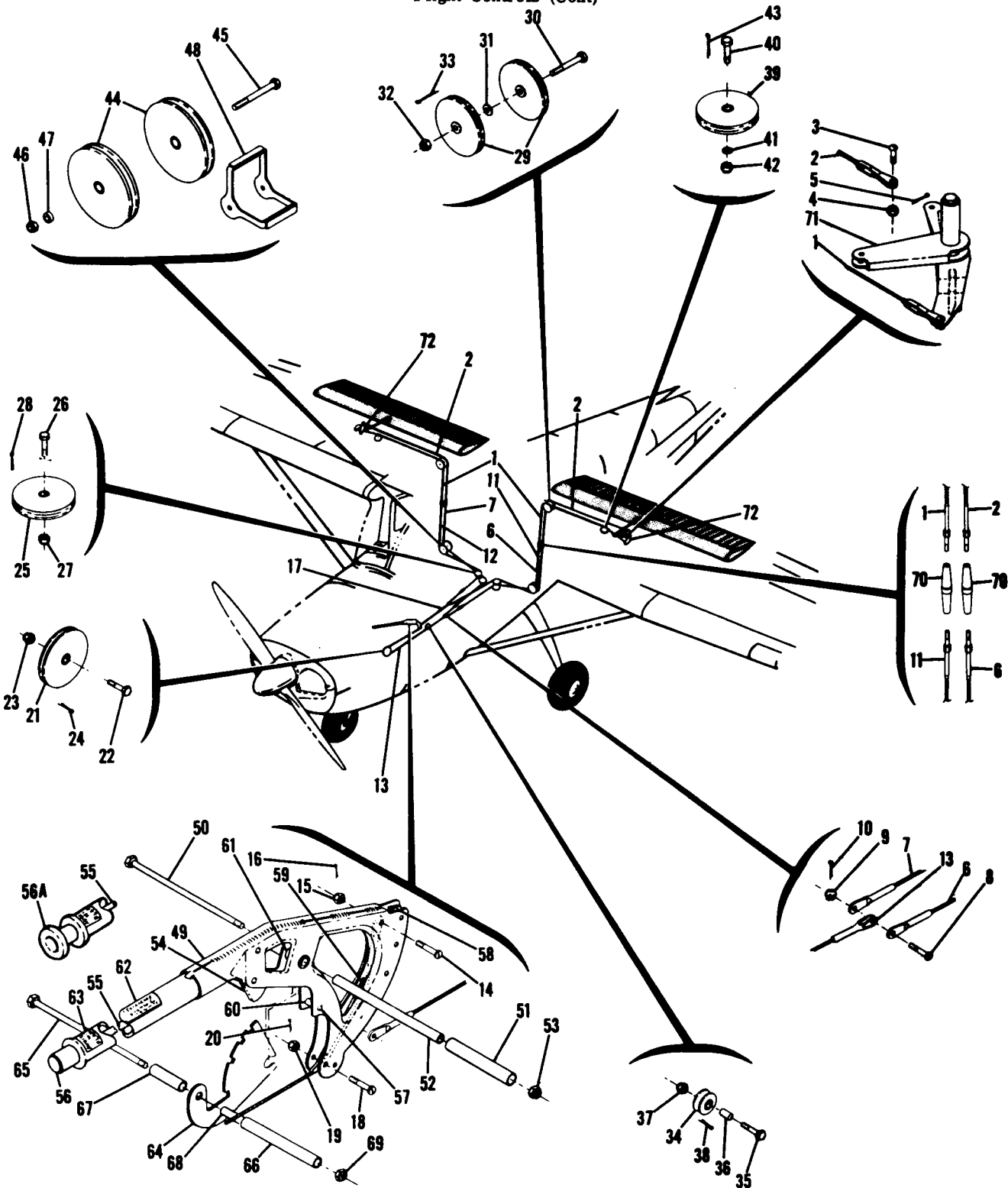
CONTINUED ON PAGE 254

FIGURE AND INDEX NO.	PART NUMBER	DESCRIPTION	UNITS PER ASSY	USABLE ON CODE
72- 42	S-378-4	PULLEY-----CESSNA STANDARD----- ATTACHING PARTS	1	
- 43	MS20365-428C	NUT -----	1	
- 44	NAS43-4-42	SPACER-----	1	
- 45	AN4-15A	BOLT -----	1	
- 46	MS24665-140	PIN-COTTER -----	4	
- 47	S-394	PULLEY-----CESSNA STANDARD----- ATTACHING PARTS	3	
- 48	MS20365-1032C	NUT -----	1	
- 49	0512136	GUARD-CABLE-----	1	
- 50	NAS43-4-16	SPACER-----	1	
- 51	AN960-416	WASHER-----	2	
- 52	0512138	BUSHING -----	1	
- 53	AN3-21A	BOLT -----	1	
- 54	S-378-3L	PULLEY-----CESSNA STANDARD----- ATTACHING PARTS	2	
- 55	MS20365-428C	NUT -----	1	
- 56	AN960-416	WASHER-----	1	
- 57	AN4-10A	BOLT -----	1	
- 58	MS24665-134	PIN-COTTER -----	2	
- 59	AN155B32L	BARREL-TURNBUCKLE -----	3	
- 60	AN161-32LL	FORK -----	3	
- 61	MS20365-1032C	NUT -----	4	
- 62	AN960-10L	WASHER-----	4	
- 63	AN3-7A	BOLT -----	4	
- 64	0523223-1	BELLCRANK ASSEMBLY-AILERON RH SEE FIGURE 9 -----	1	
- 64	0523223	BELLCRANK ASSEMBLY-AILERON LH SEE FIGURE 9 -----	1	
- 65	0523218	ROD ASSEMBLY-AILERON PUSH-PULL-----SEE FIGURE 9 -----	2	
		A---172 SERIAL 28000 THRU 36965		
		B---175 SERIAL 55001 THRU 17557119		
		172 SERIAL 36966 THRU 17249544		

FIGURE AND INDEX NO.	PART NUMBER	DESCRIPTION	UNITS PER ASSY	USABLE ON CODE
		1 2 3 4 5 6 7		
73-		FLAP CONTROL SYSTEM INSTALLATION-----	NP	
- 1	0510105-59	CABLE-DIRECT UPPER -----	2	
	0510105-159	CABLE-STAINLESS STEEL DIRECT UPPER -----	2	
- 2	0510105-60	CABLE-RETURN UPPER -----	2	
	0510105-160	CABLE-STAINLESS STEEL RETURN UPPER -----	2	
		ATTACHING PARTS		
- 3	AN23-9	BOLT -----	4	
- 4	AN310-3	NUT -----	4	
- 5	MS24665-134	PIN-COTTER -----	4	
		172 SERIAL 28000		
- 6	0510105-63	CABLE-RETURN LH LOWER-----	1	
	0510105-163	CABLE-STAINLESS STEEL RETURN LH LOWER -----	1	
- 7	0510105-64	CABLE-RETURN RH LOWER-----	1	
	0510105-164	CABLE-STAINLESS STEEL RETURN RH LOWER -----	1	
		ATTACHING PARTS		
- 8	AN23-12	BOLT -----	1	
- 9	AN310-3	NUT -----	1	
- 10	MS24665-134	PIN-COTTER -----	1	
		175 SERIAL 55001		
- 11	0510105-61	CABLE-DIRECT LH LOWER-----	1	
	0510105-161	CABLE-STAINLESS STEEL DIRECT LH LOWER -----	1	
- 12	0510105-62	CABLE-DIRECT RH LOWER-----	1	
	0510105-162	CABLE-STAINLESS STEEL DIRECT RH LOWER -----	1	
		ATTACHING PARTS		
	AN23-12	BOLT -----	1	
	AN310-3	NUT -----	1	
	MS24665-134	PIN-COTTER -----	1	
- 13	0510105-21	CABLE-RETURN FORWARD -----	1	
	0510105-121	CABLE-STAINLESS STEEL RETURN FORWARD -----	1	
		ATTACHING PARTS		
- 14	AN23-16	BOLT -----	1	
- 15	AN310-3	NUT -----	1	
- 16	MS24665-134	PIN-COTTER -----	1	
- 17	0510105-22	CABLE-DIRECT FORWARD -----	1	
	0510105-122	CABLE-STAINLESS STEEL DIRECT FORWARD -----	1	
		ATTACHING PARTS		
- 18	AN23-16	BOLT -----	1	
- 19	AN310-3	NUT -----	1	
- 20	MS24665-134	PIN-COTTER -----	1	
- 21	S-378-2	PULLEY-----CESSNA STANDARD-----	1	
		ATTACHING PARTS		
- 22	AN3-6A	BOLT -----	1	
- 23	MS20365-1032C	NUT -----	1	
		ATTACHING PARTS		
- 24	MS24665-134	PIN-COTTER -----	1	
- 25	S-378-2	PULLEY-----CESSNA STANDARD-----	4	
		ATTACHING PARTS		
- 26	AN3-6A	BOLT -----	1	
- 27	MS20365-1032C	NUT -----	1	
		ATTACHING PARTS		
- 28	MS24665-132	PIN-COTTER -----	4	
- 29	S-378-2	PULLEY-----CESSNA STANDARD-----	4	
		ATTACHING PARTS		
- 30	AN3-10A	BOLT -----	1	
- 31	AN960-416	WASHER-----	1	
- 32	MS20365-1032C	NUT -----	1	
		ATTACHING PARTS		

CONTINUED ON PAGES 256 & 257

Flight Controls (Cont)



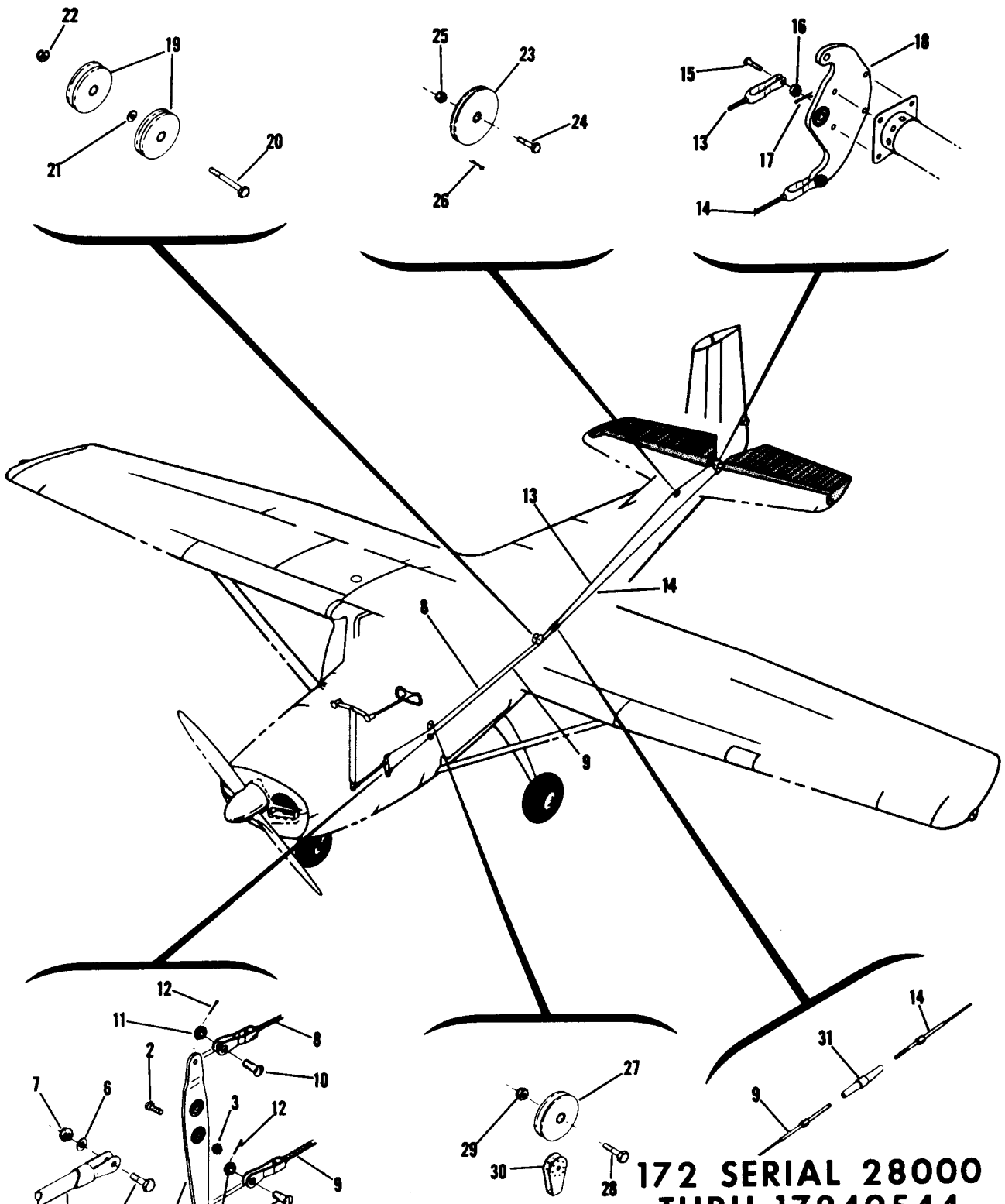
172 SERIAL 28000 THRU 17249544
175 SERIAL 55001 THRU 17557119

Figure 73. Flap Control System Installation

FIGURE AND INDEX NO.	PART NUMBER	DESCRIPTION	UNITS PER ASSY	USABLE ON CODE
		1 2 3 4 5 6 7		
73- 33	MS24665-136	PIN-COTTER -----	2	
- 34	S-394	PULLEY-----CESSNA STANDARD----- ATTACHING PARTS	1	
- 35	AN3-6A	BOLT -----	1	
- 36	0411783	BUSHING -----	1	
- 37	MS20365-1032C	NUT -----	1	
- 38	MS24665-134	PIN-COTTER -----	1	
- 39	S-378-2	PULLEY-----CESSNA STANDARD----- ATTACHING PARTS	2	
- 40	AN3-7A	BOLT -----	1	
- 41	AN960-10	WASHER-----	2	
- 42	MS20365-1032C	NUT -----	1	
- 43	MS24665-134	PIN-COTTER -----	2	
- 44	S-378-4	PULLEY-----CESSNA STANDARD----- ATTACHING PARTS	4	
- 45	AN4-21A	BOLT -----	1	
- 46	MS20365-1032C	NUT -----	1	
- 47	NAS43-4-10	SPACER-----	1	
- 48	0512134	GUARD -----	2	
- 49	0510166-4	LEVER ASSEMBLY ----- ATTACHING PARTS	1	
- 50	AN4-62A	BOLT -----	1	
- 51	NAS43-7-237	SPACER-----	1	
- 52	0510178	BUSHING -----	1	
- 53	MS20365-428C	NUT -----	1	
- 54	0510167	LATCH ASSEMBLY-LEVER -----	1	
- 55	0510169	ROD-LATCH-----	1	A
- 56	0510182	ROD-LATCH-----	1	B
-56A	0510193-1	BUTTON-RELEASE-----WHEN EXHAUSTED USE 0510193-1 -----	1	C
	0510177	KNOB -----	1	D
- 57	AN960-4	BUSHING-LATCH -----	1	
	0510176	WASHER -----	2	
- 58	0510172-3	SPRING-LATCH RETURN-----	1	
- 59	0510172-4	CAM -----	1	
	0510173	CAM -----	1	
- 60	NAS42HT5-36	SPACER -----	2	
- 61	NAS42-4-16	SPACER -----	4	
- 62	0510191	SPACER -----	1	
- 63	0510188	PLACARD -----	1	
- 64	0510171-1	PLACARD -----	1	
- 65	AN4-62A	RACHET-----	1	
- 66	0510181	ATTACHING PARTS		
- 67	0510181-1	BOLT -----	1	
- 68	0510184	SPACER-LH -----	1	
- 69	MS20365-428C	SPACER-RH -----	1	
		BUSHING -----	1	
		NUT -----	1	
- 70	AN155B16S	BARREL-----	4	
- 71	0523535	BELLCRANK-LH SEE FIGURE 10-----	1	
	0523535-1	BELLCRANK-RH SEE FIGURE 10-----	1	
- 72	0523537	ROD ASSEMBLY SEE FIGURE 10-----	2	

A---172 SERIAL 28000 THRU 29930
 B---172 SERIAL 29931 THRU 17249544
 175 SERIAL 55001 THRU 17557119
 C---172 SERIAL 28000 THRU 46754
 175 SERIAL 55001 THRU 56238
 D---172 SERIAL 46755 THRU 17249544
 175 SERIAL 56239 THRU 17557119

Flight Controls (Cont)



**172 SERIAL 28000
THRU 17249544**
175 SERIAL 55001 THRU 17557119

Figure 74. Elevator Control System Installation

FIGURE AND INDEX NO.	PART NUMBER	DESCRIPTION	UNITS PER ASSY	USABLE ON CODE
		1 2 3 4 5 6 7		
74-		ELEVATOR CONTROL SYSTEM INSTALLATION -----		
- 1	0510192	BELLCRANK-ELEVATOR FORWARD----- 172 SERIAL -----	NP	
- 2	AN4-10A	ATTACHING PARTS	1	
- 3	MS20365-428C	BOLT ----- 28000 THRU -----	1	
		NUT ----- 17249544 -----	1	
- 4	0510161-5	TUBE-BELLCRANK TO CONTROL TEE -----	1	A
	0510161-7	TUBE-BELLCRANK TO CONTROL TEE -----	1	B
		ATTACHING PARTS		
- 5	AN4-11A	BOLT ----- 175 SERIAL 55001 -----	2	
- 6	AN960-416	WASHER -----	2	
- 7	MS20365-416C	NUT ----- THRU 17557119 -----	2	
		-----*-----		
- 8	0510105-42	CABLE ELEVATOR FORWARD UPPER -----	1	
	0510105-142	CABLE-STAINLESS STEEL ELEVATOR FWD UPPER-----	1	
- 9	0510105-40	CABLE-ELEVATOR FORWARD LOWER -----	1	
	0510105-140	CABLE-STAINLESS STEEL ELEVATOR FWD LOWER-----	1	
		ATTACHING PARTS		
- 10	AN23-12	BOLT -----	1	
- 11	AN310-3	NUT -----	1	
- 12	MS24665-134	PIN-COTTER -----	1	
		-----*-----		
- 13	0510105-41	CABLE-ELEVATOR AFT UPPER -----	1	
	0510105-141	CABLE-STAINLESS STEEL ELEVATOR AFT UPPER-----	1	
- 14	0510105-54	CABLE-ELEVATOR AFT LOWER -----	1	
	0510105-154	CABLE-STAINLESS STEEL ELEVATOR AFT LOWER-----	1	
		ATTACHING PARTS		
- 15	AN23-12	BOLT -----	1	
- 16	AN310-3	NUT -----	1	
- 17	MS24665-134	PIN-COTTER -----	1	
		-----*-----		
- 18	0534124	BELLCRANK-ELEVATOR REAR -----	1	
- 19	S-378-3L	PULLEY-----CESSNA STANDARD-----	2	
		ATTACHING PARTS		
- 20	AN4-14A	BOLT -----	1	
- 21	AN960-416	WASHER-----	1	
- 22	MS20365-428C	NUT -----	1	
		-----*-----		
- 23	S-378-3L	PULLEY-----CESSNA STANDARD-----	1	
		ATTACHING PARTS		
- 24	AN4-10A	BOLT -----	1	
- 25	MS20365-428C	NUT -----	1	
		-----*-----		
- 26	MS24665-136	PIN-COTTER -----	1	
- 27	S-378-3L	PULLEY-----CESSNA STANDARD-----	1	
		ATTACHING PARTS		
- 28	AN4-10A	BOLT -----	1	
- 29	MS20365-428C	NUT -----	1	
		-----*-----		
- 30	0411421-2	GUARD -----	1	
- 31	AN155B32S	BARREL-TURNBUCKLE -----	2	
		 A---172 SERIAL 28000 THRU 47746 B---175 SERIAL 55001 THRU 17557119 172 SERIAL 17247747 THRU 17249544		

Flight Controls (Cont)

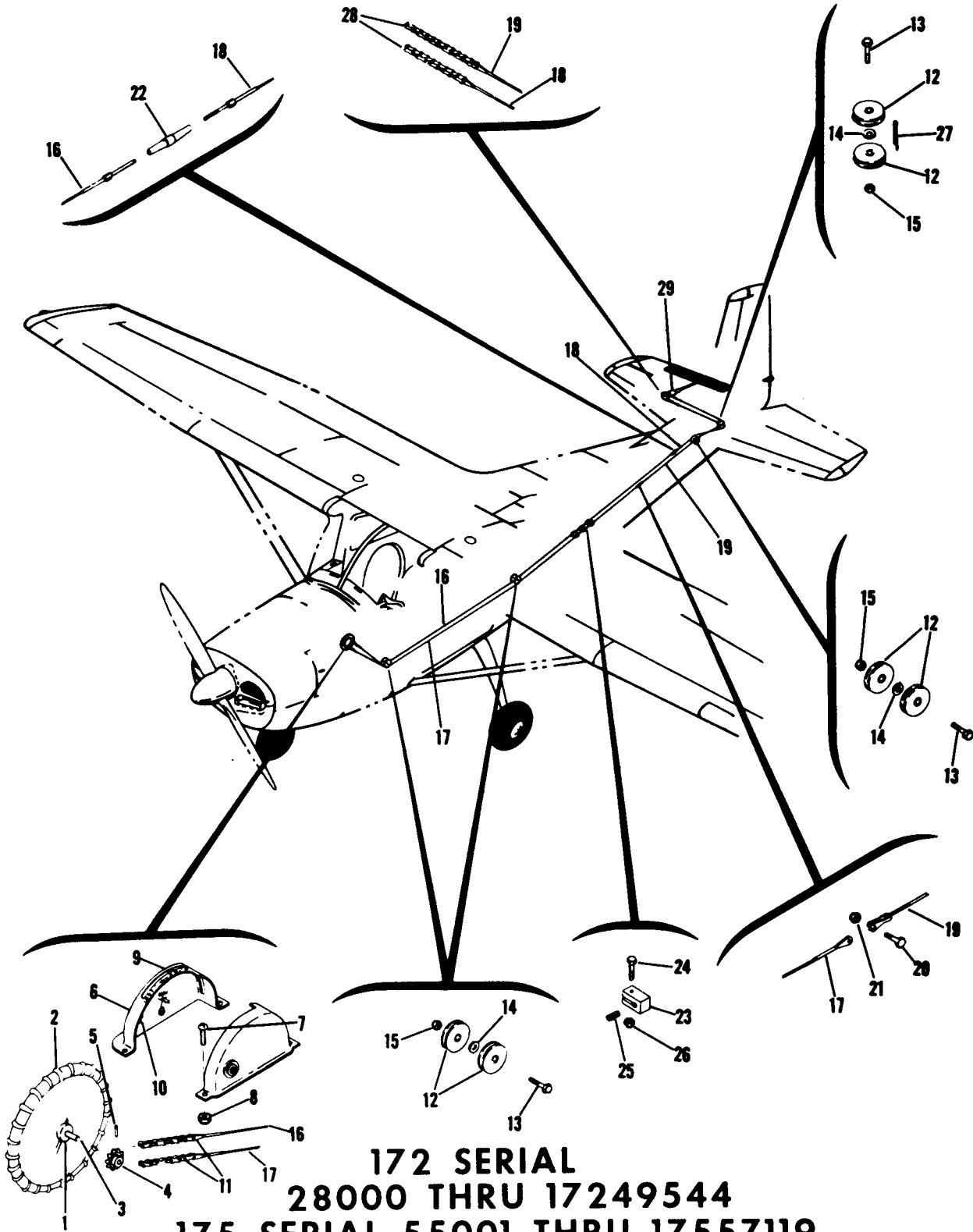
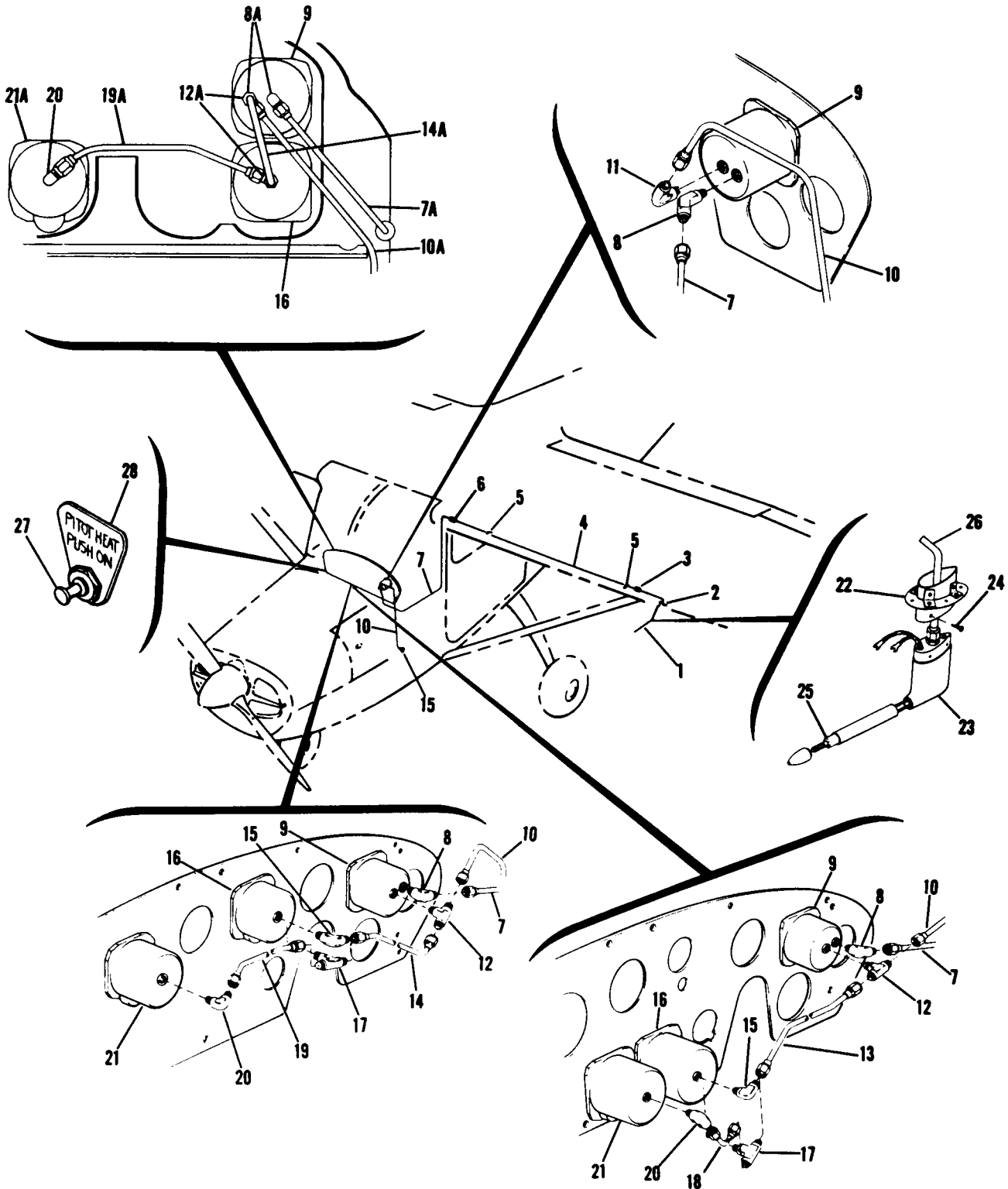


Figure 75. Elevator Trim Control System Installation

FIGURE AND INDEX NO.	PART NUMBER	DESCRIPTION	UNITS PER ASSY	USABLE ON CODE
		1 2 3 4 5 6 7		
75-		ELEVATOR TRIM CONTROL SYSTEM INSTALLATION -----	NP	
- 1	0510127	WHEEL ASSEMBLY-TAB CONTROL -----	1	
- 2	0510127-1	WHEEL-TAB CONTROL -----	1	
- 3	0510127-2	SHAFT-TAB CONTROL -----	1	
- 4	0432134-1	SPROCKET-TAB CONTROL -----	1	
		ATTACHING PARTS -----		
- 5	MA5561P3-4	ROLL PIN EN -----	2	
		-----*		
- 6	0411419	COVER-TAB CONTROL WHEEL -----	1	
		ATTACHING PARTS -----		
- 7	AN520-10R7	SCREW -----	4	
- 8	MS20365-1032C	NUT -----	4	
		-----*		
- 9	0411422	DECAL-TAB POSITION INDICATOR -----	1	
- 10	M-451	BEARING TOR -----	1	
- 11	0432138-7	CHAIN-TAB CONTROL -----	1	
- 12	S-378-1	PULLEY-----CESSNA STANDARD-----	8	
		ATTACHING PARTS -----		
- 13	AN3-10A	BOLT -----	1	
- 14	AN960-416L	WASHER -----	1	
- 15	MS20365-1032C	NUT -----	1	
		-----*		
- 16	0510105-58	CABLE-TAB WHEEL TO TURNBUCKLE -----	1	
	0510105-158	CABLE-STAINLESS STEEL-----TAB WHEEL TO TURN BUCKLE-----	1	
- 17	0510105-57	CABLE-TAB WHEEL TO DISCONNECT -----	1	
	0510105-157	CABLE-STAINLESS STEEL-----TAB WHEEL TO DISCONNECT -----	1	
- 18	0510105-44	CABLE-TAB ACTUATOR TO TURNBUCKLE -----	1	
	0510105-144	CABLE-STAINLESS STEEL-----TAB ACTUATOR TO TURNBUCKLE -----	1	
- 19	0510105-45	CABLE-TAB ACTUATOR TO DISCONNECT -----	1	
	0510105-145	CABLE-STAINLESS STEEL-----TAB ACTUATOR TO DISCONNECT -----	1	
		ATTACHING PARTS -----		
- 20	AN3-5A	BOLT -----	1	
- 21	MS20365-1032C	NUT -----	1	
		-----*		
- 22	AN155-8L	BARREL -----	1	
- 23	0411523	BLOCK-ELEVATOR TAB STOP -----	3	
		ATTACHING PARTS -----		
- 24	AN3-6A	BOLT -----	3	
- 25	0411524	BUSHING -----	3	
- 26	MS20365-1032C	NUT -----	3	
		-----*		
- 27	MS24665-355	PIN-COTTER -----	1	
- 28	0432138-6	CHAIN-CABLE TO TAB ACTUATOR -----	1	
- 29	0310293-2	ACTUATOR ASSEMBLY SEE FIGURE 13-----	1	

Pitot System

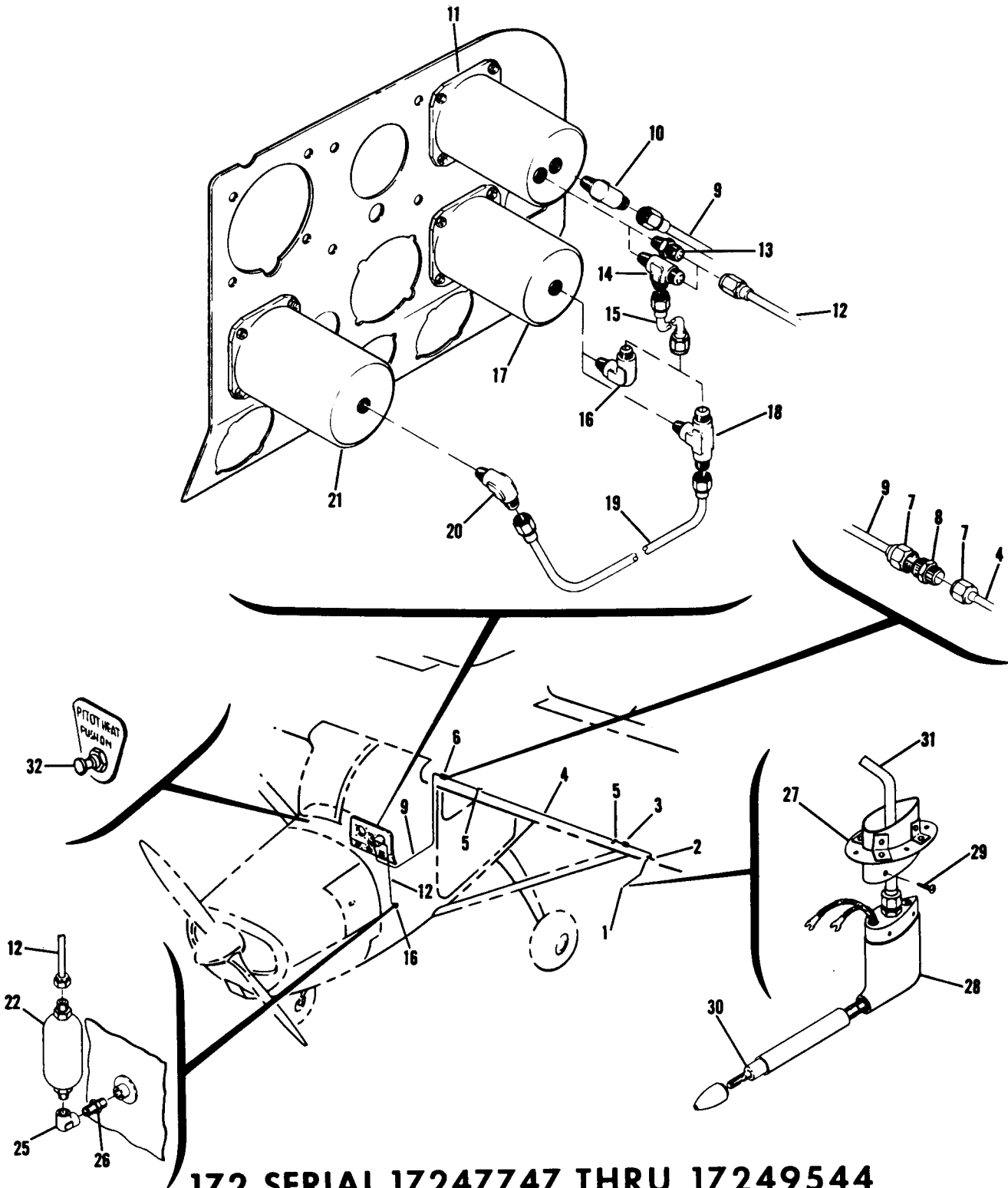


172 SERIAL 28000 THRU 47746

Figure 76. Pitot System Installation

FIGURE AND INDEX NO.	PART NUMBER	DESCRIPTION	UNITS PER ASSY	USABLE ON CODE
		1 2 3 4 5 6 7		
76-		PITOT SYSTEM INSTALLATION		
- 1	0500106-53	TUBE-PITOT	NP	
		ATTACHING PARTS		
- 2	A2980A-4-27	CLAMP TIN	1	
	NAS395-16-3	NUT TIN A1789-8Z-3	1	
	S-1021Z-8-8	SCREW CESSNA STANDARD	1	
- 3	AN815-4D	UNION	1	
- 4	0500106-54	LINE ASSEMBLY-PITOT TUBE TO WING ROOT	1	
		ATTACHING PARTS		
- 5	A2980A-4-27	CLAMP TIN	2	
	NAS395-16-3	NUT TIN A1789-8Z-3	1	
	MS20365-632C	NUT	1	
	S-1021Z-8-8	SCREW CESSNA STANDARD	1	
	AN515-6R8	SCREW	1	
- 6	S-51-4	HOSE 3 IN LG BULK ITEM REF S-51-4-12	1	
	NAS397-10	ATTACHING PARTS		
		CLAMP TIN A3122-10-3	2	
- 7	0500106-125	LINE ASSEMBLY-WING ROOT TO AIRSPEED INDICATOR	1	A
- 7A	0500106-263	LINE ASSEMBLY-WING ROOT TO AIRSPEED INDICATOR	1	D
	0500106-295	LINE ASSEMBLY-WING ROOT TO AIRSPEED INDICATOR	1	C
- 8	AN823-4D	ELBOW	1	A
- 8A	MS20822-4D	ELBOW	2	B
- 9	0411086-15	INDICATOR-AIRSPEED WHEN EXHAUSTED USE S-1323N1	1	
	S-1323N1	INDICATOR-VERTICAL SPEED REMANUFACTURED	1	
- 10	0500106-120	LINE ASSEMBLY-STATIC SOURCE TO AIRSPEED INDICATOR	1	A
-10A	0500106-264	LINE ASSEMBLY-STATIC SOURCE TO AIRSPEED INDICATOR	1	B
- 11	AN823-4D	ELBOW	1	A
- 12	AN825-4D	TEE	1	A
-12A	AN826-4D	TEE	2	B
- 13	0500106-123	LINE ASSEMBLY-AIRSPEED INDICATOR TO ALTIMETER	1	A
- 14	0500106-128	LINE ASSEMBLY-AIRSPEED INDICATOR TO ALTIMETER	1	A
-14A	0500106-265	LINE ASSEMBLY-AIRSPEED INDICATOR TO ALTIMETER	1	B
	0500106-277	LINE ASSEMBLY-AIRSPEED INDICATOR TO ALTIMETER ALTERNATE	1	B
- 15	MS20822-4D	ELBOW	2	
- 16	0411007-10	ALTIMETER-SENSITIVE WHEN EXHAUSTED USE S-1313N1	1	
	S-1313N1	ALTIMETER-SENSITIVE 35000 FT REMANUFACTURED	1	
- 17	AN825-4D	TEE	1	A
- 18	0500106-126	LINE ASSEMBLY-ALTIMETER TO VERTICAL SPEED	1	A
- 19	0500106-130	LINE ASSEMBLY-ALTIMETER TO VERTICAL SPEED	1	A
-19A	0500106-266	LINE ASSEMBLY-ALTIMETER TO VERTICAL SPEED	1	B
- 20	MS20822-4D	ELBOW	1	
- 21	0411069-4	INDICATOR-VERTICAL SPEED WHEN EXHAUSTED USE S-1304N2	1	A
	S-1304N2	INDICATOR-VERTICAL SPEED REMANUFACTURED	1	A
-21A	0411069-3	INDICATOR-VERTICAL SPEED WHEN EXHAUSTED USE S-1304N1	1	B
	S-1304N1	INDICATOR-VERTICAL SPEED REMANUFACTURED	1	B
- 22	0721101	CONNECTOR ASSEMBLY	1	C
- 23	0721105-2	PITOT TUBE ASSEMBLY	1	C
		ATTACHING PARTS		
- 24	AN507-640R4	SCREW	4	C
- 25	0721105-5	HEATER ASSEMBLY	1	C
- 26	0500106-261	LINE ASSEMBLY-PITOT TUBE TO WING ROOT	1	C
- 27	0513215-1	CIRCUIT BREAKER	1	C
- 28	0513163-8	PLACARD-PITOT HEAT	1	C
<p>A---172 SERIAL 28000 THRU 36965 B---172 SERIAL 36966 THRU 47746 C---172 SERIAL 46755 THRU 47746 D---172 SERIAL 36966 THRU 46754</p> <p>NOTE. FOR ACCESSORY KIT LISTINGS REFER TO PAGE 364</p> <p>S-PART NOS. APPEARING ON THIS PAGE ARE CESSNA STANDARDS.</p>				

Pitot System (Cont)



172 SERIAL 17247747 THRU 17249544
175 SERIAL 55001 THRU 17557119

Figure 77. Pitot System Installation

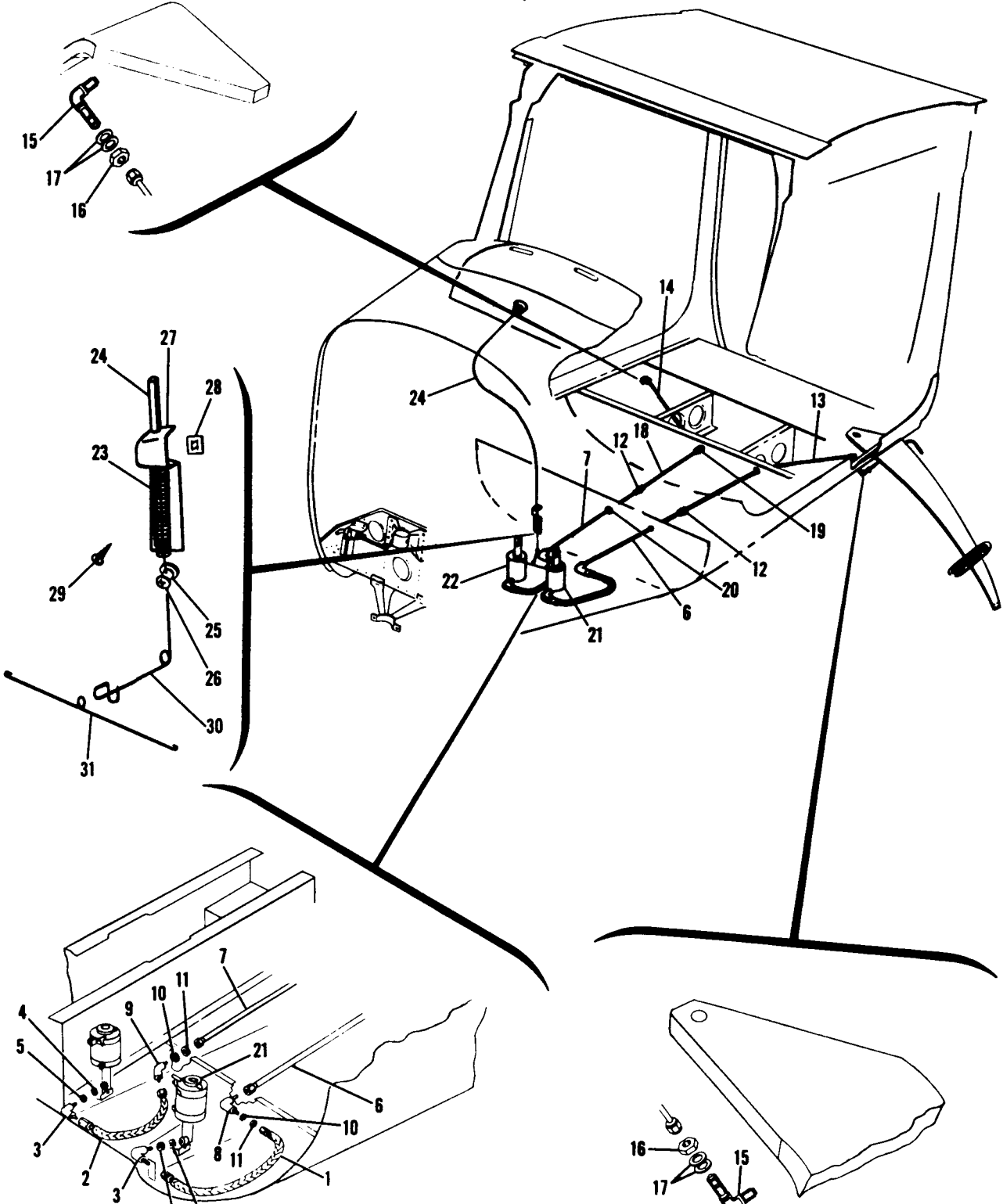
FIGURE AND INDEX NO.	PART NUMBER	DESCRIPTION	UNITS PER ASSY	USABLE ON CODE
77-		1 2 3 4 5 6 7		
- 1	0500106-53	PITOT SYSTEM INSTALLATION ----- 172 SERIAL ----- TUBE-PITOT -----	NP 1	A
- 2	A2980A-4-27 NAS395-16-3 S-10212-8-8	ATTACHING PARTS CLAMP TIN ----- 17247747 THRU ----- NUT ----- SCREW CESSNA STANDARD ----- 17249544 -----	1 1 1	
- 3	AN815-4D	UNION -----	1	
- 4	0500106-54	LINE ASSEMBLY-PITOT TUBE TO WING ROOT ----- ATTACHING PARTS	1	
- 5	A2980A-4-27 NAS395-16-3 MS20365-632C S-10212-8-8 AN515-6R8	CLAMP TIN ----- 175 SERIAL 55001 ----- NUT ----- NUT ----- THRU 17557119 ----- SCREW CESSNA STANDARD ----- SCREW -----	2 1 1 1 1	
- 6	S-51-4	HOSE 3 IN LG-----BULK ITEM-----REF S-51-4-12 ----- CESSNA STANDARD	1	D
	NAS397-10	ATTACHING PARTS CLAMP -----	2	D
- 7	S-1130-1	NUT CESSNA STANDARD -----	2	E
- 8	S-1132-1	UNION CESSNA STANDARD -----	1	E
- 9	0500106-237 S-1071-1	LINE ASSEMBLY-WING ROOT TO AIRSPEED INDICATOR----- TUBE-POLYETHYLENE 55 IN LG-----BULK ITEM ----- REF S-1071-1-55.0 CESSNA STANDARD	1 1	D E
	S-1130-1	NUT CESSNA STANDARD -----	1	E
	S-1131-1	INSERT-----CESSNA STANDARD-----	2	E
- 10	AN823-4D	ELBOW -----	1	D
	S-1135-1	ELBOW CESSNA STANDARD -----	1	E
- 11	0411086-18 0411086-20 0411086-22 S-1323N1	INDICATOR-AIRSPEED ----- INDICATOR-AIRSPEED ALTERNATE ----- INDICATOR-AIRSPEED WHEN EXHAUSTED USE S-1323N1----- INDICATOR-AIRSPEED CESSNA STANDARD -----	1 1 1 1	B C C D
- 12	0500106-235 S-1071-1	LINE ASSEMBLY-STATIC SOURCE TO AIRSPEED INDICATOR ----- TUBE-POLYETHYLENE 16 IN LG-----BULK ITEM ----- REF S-1071-1-16.0 CESSNA STANDARD	1 1	D E
	S-1130-1	NUT CESSNA STANDARD -----	2	E
	S-1131-1	INSERT-----CESSNA STANDARD-----	2	E
- 13	AN816-4D	NIPPLE -----	1	D
	S-1133-1	CONNECTOR CESSNA STANDARD -----	1	E
- 14	AN826-4D	TEE -----	1	D
	S-1139-1	TEE CESSNA STANDARD -----	1	E
- 15	0500106-236 * 0500106-275 * S-1071-1	LINE ASSEMBLY-AIRSPEED INDICATOR TO ALTIMETER----- LINE ASSEMBLY-AIRSPEED INDICATOR TO ALTIMETER----- TUBE-POLYETHYLENE 11 IN LG-----BULK ITEM ----- REF S-1071-1-11.0 CESSNA STANDARD	1 1 1	D D E
	S-1130-1	NUT CESSNA STANDARD -----	2	E
	S-1131-1	INSERT-----CESSNA STANDARD-----	2	E
- 16	MS20822-4D	ELBOW -----	2	D
	S-1135-1	ELBOW CESSNA STANDARD -----	1	E
- 17	0411007-10 0411007-8 S-1313N1 S-1314N1	ALTIMETER-SENSITIVE WHEN EXHAUSTED USE S-1313N1 ----- ALTIMETER-SENSITIVE ALT WHEN EXHAUSTED USE S-1314N1----- ALTIMETER-SENSITIVE CESSNA STANDARD ----- ALTIMETER-SENSITIVE ALT CESSNA STANDARD -----	1 1 1 1	
- 18	AN825-4D	TEE -----	1	D
	S-1139-1	TEE CESSNA STANDARD -----	1	E
- 19	0500106-228 S-1071-1	LINE ASSEMBLY-ALTIMETER TO VERTICAL SPEED INDICATOR ----- TUBE-POLYETHYLENE 11 IN LG-----BULK ITEM ----- REF S-1071-1-11.0 CESSNA STANDARD	1 1	D E
	S-1130-1	NUT CESSNA STANDARD -----	2	E
	S-1131-1	INSERT-----CESSNA STANDARD-----	2	E
- 20	MS20822-4D	ELBOW -----	1	D
	S-1135-1	ELBOW CESSNA STANDARD -----	1	E

CONTINUED ON PAGE 266

FIGURE AND INDEX NO.	PART NUMBER	DESCRIPTION							UNITS PER ASSY	USABLE ON CODE
		1	2	3	4	5	6	7		
77- 21	0411069-3	INDICATOR-VERTICAL SPEED	WHEN EXHAUSTED USE S-1304N1						1	
	S-1304N1	INDICATOR-VERTICAL SPEED	REMANUFACTURED -----						1	
	S-1304N2	INDICATOR-VERTICAL SPEED	ALTERNATE FOR S-1304N1 ----						1	
	0411069-5	INDICATOR-VERTICAL SPEED	ALTERNATE -----						1	
- 22	S-1258-1	SUMP ASSEMBLY-PITOT STATIC LINE	CESSNA STANDARD ----						1	E
- 23		DELETED, NOT USED	-----							
- 24		DELETED, NOT USED	-----							
- 25	AN916-10	ELBOW	-----						1	E
- 26	AN911-10	NIPPLE	-----						1	E
- 27	0721101	CONNECTOR ASSEMBLY	-----						1	
- 28	0721105-2	PITOT TUBE ASSEMBLY	-----						1	
		ATTACHING PARTS								
- 29	AN507-640R4	SCREW	-----						4	
		-----*								
- 30	0721105-5	HEATER ASSEMBLY	-----						1	
- 31	0500106-261	LINE ASSEMBLY-PITOT TUBE TO UNION	-----						1	
- 32	0513215-1	SWITCH-CIRCUIT BREAKER	-----						1	
	0513153-6	PLACARD-PITOT HEAT	-----						1	
<p>A---175 SERIAL 55001 THRU 17557119 172 SERIAL 17247747 THRU 17249544 B---175 SERIAL 55001 THRU 17557119 C---172 SERIAL 17247747 THRU 17249544 D---175 SERIAL 55001 THRU 17556985 172 SERIAL 17247747 THRU 17248402 E---175 SERIAL 17556986 THRU 17557119 172 SERIAL 17248403 THRU 17249544</p>										
<p>NOTE. * 0500106-236 LINE IS USED WITH 0411086-18 AIRSPEED INDICATOR 0500106-275 LINE IS USED WITH 0411086-20 OR -22 AIRSPEED INDICATOR</p>										
<p>NOTE. FOR ACCESSORY KIT LISTINGS REFER TO PAGE 364</p>										

This page intentionally left blank.

Brake System



172 SERIAL 28000 THRU 46754
175 SERIAL 55001 THRU 56238

Figure 78. Brake System Installation

FIGURE AND INDEX NO.	PART NUMBER	DESCRIPTION							UNITS PER ASSY	USABLE ON CODE
		1	2	3	4	5	6	7		
78-		BRAKE SYSTEM INSTALLATION							MP	E
- 1	S-1167-4-0100	HOSE ASSEMBLY-MASTER CYLINDER TO ELBOW LH -----							1	
- 2	S-1167-4-0080	HOSE ASSEMBLY-MASTER CYLINDER TO ELBOW RH -----							1	
		ATTACHING PARTS								
- 3	AN921 4D	ELBOW USE WITH MASTER CYLINDERS HAVING NF THREADS -----							1	
	MS20822-4-4D	ELBOW USE WITH MASTER CYLINDERS HAVING PIPE THREADS -----							1	
- 4	AN902B4D	GASKET-----USE WITH MASTER CYLINDERS HAVING NF THREADS -----							1	
- 5	AN924-4D	NUT USE WITH MASTER CYLINDERS HAVING NF THREADS -----							1	

- 6	0500106-182	LINE ASSEMBLY-BRAKE LH -----							1	
- 7	0500106-183	LINE ASSEMBLY-BRAKE RH -----							1	
		ATTACHING PARTS								
- 8	AN833-4D	ELBOW LH -----							1	
- 9	AN837-4D	ELBOW RH -----							1	
- 10	AN960-716L	WASHER-----							1	
- 11	AN924-4D	NUT -----							1	
- 12	AN815-4D	UNION -----							1	

- 13	0500106-180	LINE ASSEMBLY-BRAKE LH -----							1	
- 14	0500106-181	LINE ASSEMBLY-BRAKE RH -----							1	
		ATTACHING PARTS								
- 15	AN833-4D	ELBOW -----							1	
- 16	AN924-4D	NUT -----							1	
- 17	AN960-716L	WASHER-----							2	
		ATTACHING PARTS								
- 18	0500106-194	LINE ASSEMBLY-BRAKE RH -----							1	
		ATTACHING PARTS								
- 19	AN837-4D	ELBOW -----							1	
	AN960-716L	WASHER-----							1	
	AN924-4D	NUT -----							1	

- 20	MS35489-75	GROMMET -----							1	
- 21	0541138-13	CYLINDER-BRAKE LH -----							1	C
	0541138-17	CYLINDER-BRAKE LH WHEN EXHAUSTED USE 0541138-17 -----							1	C
	0541138-20	CYLINDER-BRAKE LH SEE FIGURE 102 -----							1	D
- 22	0541138-12	CYLINDER-BRAKE RH -----							1	C
	0541138-18	CYLINDER-BRAKE RH WHEN EXHAUSTED USE 0541138-18 -----							1	C
	0541138-20	CYLINDER-BRAKE RH SEE FIGURE 102 -----							1	D
- 23	0441021	SPRING-----							1	
- 24	0411090-19	CONTROL ASSEMBLY-PARKING BRAKE -----							1	A
	0411090-26	CONTROL ASSEMBLY-PARKING BRAKE -----							1	B
		ATTACHING PARTS								
- 25	0713037	CLAMP -----							1	
- 26	AN500A8-5	SCREW -----							1	

- 27	0413186-3	CLAMP-PARKING BRAKE -----							1	
		ATTACHING PARTS								
- 28	NAS446-4-3	NUT TIM A1778-8Z-3 -----							2	
- 29	S-1021Z-8-8	SCREW CESSNA STANDARD -----							2	

- 30	0713020-1	SPRING-LINKAGE -----							1	
- 31	0713020-2	CROSSARM -----							1	C
	0541170-1	CROSS ARM -----							1	D

		A---172 SERIAL 28000 THRU 46754								
		B---175 SERIAL 55001 THRU 56238								
		C---172 SERIAL 28000 THRU 46664								
		175 SERIAL 55001 THRU 56134								
		D---172 SERIAL 46665 THRU 46754								
		175 SERIAL 56135 THRU 56238								
		E---172 SERIAL 28000 THRU 46754								
		175 SERIAL 55001 THRU 56238								
		*NOTE. THESE CYLINDER ASSEMBLIES ARE THREADED WITH PIPE THREAD, WHEN EXHAUSTED USE 0541138-18 & -17								
		#NOTE. THESE CYLINDER ASSEMBLIES ARE THREADED WITH NF THREAD								

Brake System (Cont)

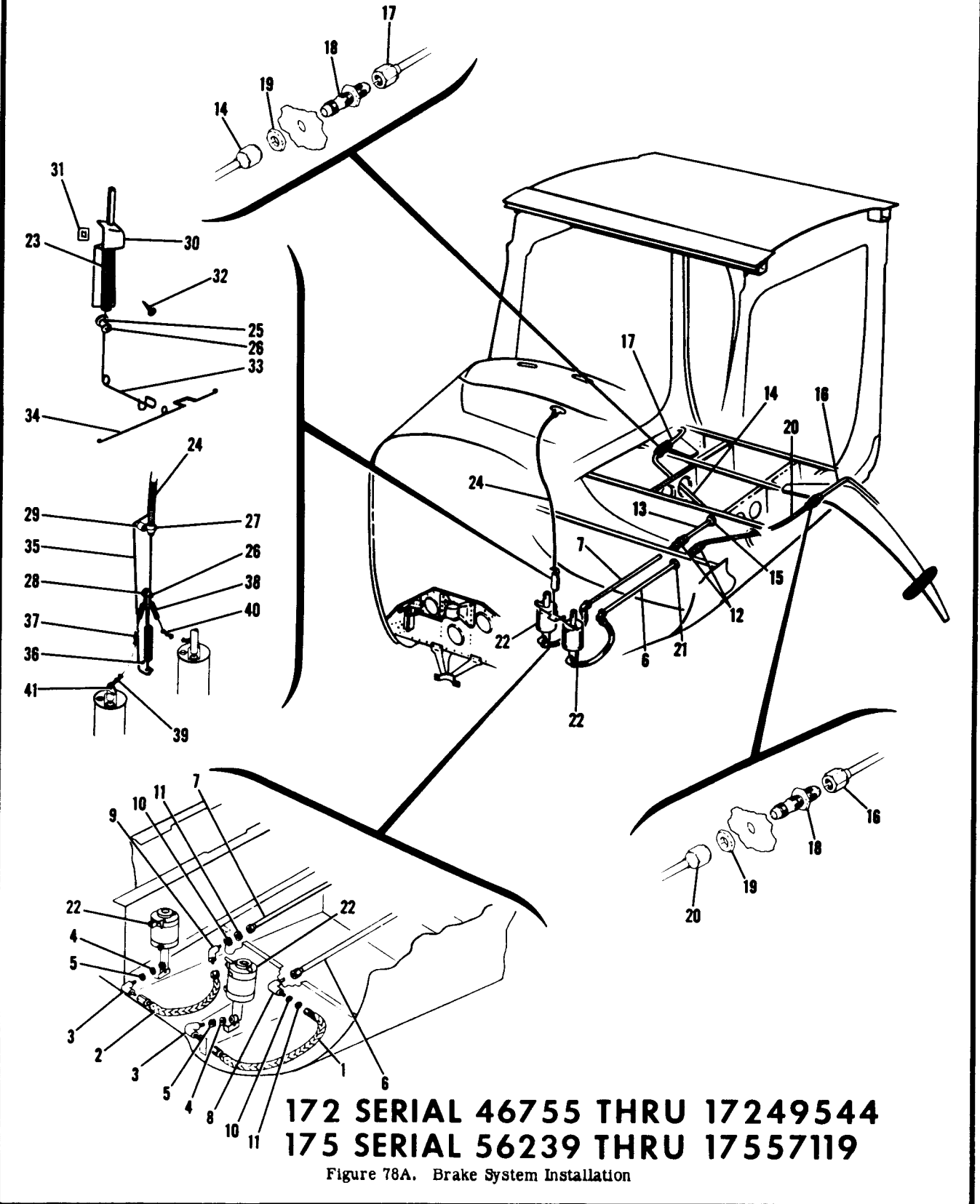


FIGURE AND INDEX NO.	PART NUMBER	DESCRIPTION	UNITS PER ASSY	USABLE ON CODE
		1 2 3 4 5 6 7		
78A-		BRAKE SYSTEM INSTALLATION	NP	A
- 1	S-1167-4-0100	HOSE ASSEMBLY-MASTER CYLINDER TO ELBOW LH	1	
- 2	S-1167-40080	HOSE ASSEMBLY-MASTER CYLINDER TO ELBOW RH	1	
		ATTACHING PARTS		
- 3	AN833-4D	ELBOW	1	
- 4	AN924-4D	NUT	1	
- 5	AN90284	GASKET	1	

- 6	0500106-182	LINE ASSEMBLY-BRAKE LH	1	
- 7	0500106-183	LINE ASSEMBLY-BRAKE RH	1	
		ATTACHING PARTS		
- 8	AN921-4D	ELBOW-LH	1	
- 9	AN837-4D	ELBOW-RH	1	
- 10	AN960-716	WASHER	1	
- 11	AN924-4D	NUT	1	
- 12	AN815-4D	UNION	1	

- 13	0500106-194	LINE ASSEMBLY-BRAKE RH	1	
- 14	0500105-278	LINE ASSEMBLY-BRAKE RH	1	
		ATTACHING PARTS		
- 15	AN837-4D	ELBOW	1	
	AN960-716	WASHER	1	
	AN924-4D	NUT	1	

- 16	0500106-279	LINE ASSEMBLY-BRAKE LH	1	B
	0500106-281	LINE ASSEMBLY-BRAKE LH	1	C
- 17	0500106-280	LINE ASSEMBLY-BRAKE RH	1	B
	0500106-282	LINE ASSEMBLY-BRAKE RH	1	C
		ATTACHING PARTS		
- 18	AN832-4D	UNION	1	
- 19	AN924-4D	NUT	1	

- 20	0500106-285	LINE ASSEMBLY-BRAKE LH	1	
- 21	MS35489-7S	GROMMET	1	
- 22	0541138-20	CYLINDER-BRAKE	2	
- 23	0441021	SPRING	1	
- 24	0513142-14	CONTROL-PARKING BRAKE REF 0513142-10	1	B
	0713302-7	CONTROL-PARKING BRAKE REF 0513159-10	1	H
	0713302-7	CONTROL-PARKING BRAKE REF 0513159-21	1	F
		ATTACHING PARTS		
- 25	0713037	CLAMP	1	D
- 26	AN500A8-5	SCREW	1	
- 27	AN742D3	CLAMP	2	G
	S-10212-8-6	SCREW CESSNA STANDARD	2	E
	S-10212-8-14	SCREW CESSNA STANDARD	2	F
	NAS446-4-3	NUT	2	G
- 28	0450258	CLAMP	1	G
- 29	NAS43DD3-23	SPACER	2	F

- 30	0413186-3	CLAMP-PARKING BRAKE	1	D
		ATTACHING PARTS		
- 31	NAS446-4-3	NUT	2	D
- 32	S-10212-8-8	SCREW CESSNA STANDARD	2	D

- 33	0713020-1	SPRING-LINKAGE	1	D
	0541170-1	CROSSARM	1	D
- 35	0541176-1	PLATE	1	E
	0541174-1	PLATE	1	F
		ATTACHING PARTS		
- 36	S-10212-8-8	SCREW CESSNA STANDARD	2	G
	NAS446-4-3	NUT	2	G

- 37	0541172-1	SPRING-RETURN	1	G
- 38	0541173-1	SPRING	2	G

CONTINUED ON PAGE 272

FIGURE AND INDEX NO.	PART NUMBER	DESCRIPTION							UNITS PER ASSY	USABLE ON CODE
		1	2	3	4	5	6	7		
78A- 39 - 40	S-1099-1-4.00	CHAIN	CESSNA	STANDARD	-----				1	F F E E
	S-1099-1-3.30	CHAIN	CESSNA	STANDARD	-----				1	
	S-1099-1-2-30	CHAIN	CESSNA	STANDARD	-----				1	
	S-1099-1-3.30	CHAIN	CESSNA	STANDARD	-----				1	
- 41	0541178-1	LINK-PARKING BRAKE CHAIN -----								
		A---	172	SERIAL	46755	THRU	17249544			
			175	SERIAL	56239	THRU	17557119			
		B---	172	SERIAL	46755	THRU	47746			
		C---	175	SERIAL	56239	THRU	17557119			
			172	SERIAL	17247747	THRU	17249544			
		D---	172	SERIAL	46755	THRU	47567			
			175	SERIAL	56239	THRU	56734			
		E---	172	SERIAL	47568	THRU	47746			
		F---	175	SERIAL	56735	THRU	17557119			
			172	SERIAL	17247747	THRU	17249544			
		G---	172	SERIAL	47568	THRU	17249544			
			175	SERIAL	56735	THRU	17557119			
		H---	175	SERIAL	56239	THRU	56734			

This page intentionally left blank.

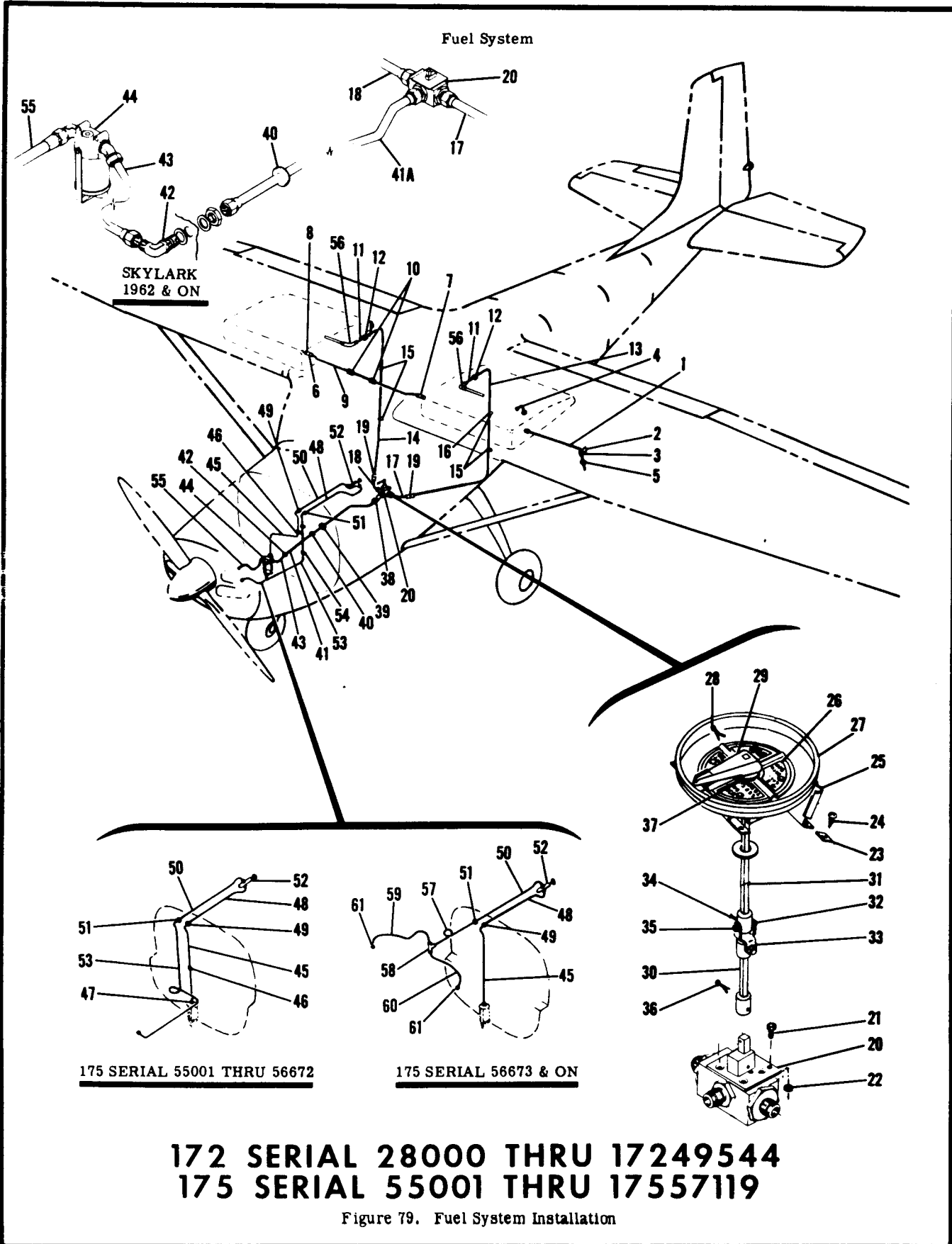


Figure 79. Fuel System Installation

FIGURE AND INDEX NO.	PART NUMBER	DESCRIPTION	UNITS PER ASSY	USABLE ON CODE
79- 1		1 2 3 4 5 6 7		
		FUEL SYSTEM INSTALLATION		
	0523555-3 *	VENT LINE ASSEMBLY 1/4 IN LINE	1	NP F P R B H S
	0523559-1	VENT LINE ASSEMBLY 1/4 IN LINE	1	
	0523559-6	VENT LINE ASSEMBLY 3/8 IN LINE	1	
	0523555-1 *	VENT LINE ASSEMBLY 1/4 IN LINE	1	
	0523559-3	VENT LINE ASSEMBLY 1/4 IN LINE	1	
	0523559-8	VENT LINE ASSEMBLY 3/8 IN LINE	1	
		ATTACHING PARTS		
- 2	A512006-1	ANGLE	1	
- 3	A3047-6-92	CLAMP TIN	1	
	S-1021Z-8-8	SCREW CESSNA STANDARD	1	
		175 SERIAL 55001 THRU 17557119		
- 4	0523545	VENT ASSEMBLY	1	
- 5	MS35489-11 #	GROMMET	1	
- 6	S-51-6	HOSE 2.25 IN LG BULK ITEM REF S-51-6-9	1	
		CESSNA STANDARD		
- 7	S-51-6	HOSE 3 IN LG BULK ITEM REF S-51-6-12	1	
		CESSNA STANDARD		
- 8	NAS397-12	ATTACHING PARTS CLAMP	2	
- 9	0500106-109	LINE ASSEMBLY-VENT	1	
		ATTACHING PARTS		
- 10	49165	HARNES BAND UC	2	
- 11	0500106-83	LINE ASSEMBLY-FUEL TANK TO UNION	2	
- 12	AN815-6D	UNION	1	
- 13	0500106-179	LINE ASSEMBLY-UNION TO UNION LH	1	
- 14	0500106-178	LINE ASSEMBLY-UNION TO UNION RH	1	
		ATTACHING PARTS		
- 15	A2981A-6	CLAMP TIN	2	
- 16	S-1021Z-8-8	SCREW CESSNA STANDARD	2	
- 17	0500106-189	LINE ASSEMBLY-UNION TO SELECTOR VALVE LH	1	
- 18	0500106-177	LINE ASSEMBLY-UNION TO SELECTOR VALVE RH	1	
- 19	AN815-6D	UNION	1	
- 20	0513120-5	VALVE ASSEMBLY-FUEL SELECTOR SEE FIGURE 103	1	T R
	0513120-6	VALVE ASSEMBLY-FUEL SELECTOR SEE FIGURE 103	1	
		ATTACHING PARTS		
- 21	AN3-4A	BOLT	2	
- 22	MS20365-1032C	NUT	2	
	0511191-1	BRACKET ASSEMBLY-FUEL SELECTOR VALVE	1	L M F P R
	0511191-4	BRACKET ASSEMBLY-FUEL SELECTOR VALVE	1	
	0511191-2	BRACKET ASSEMBLY-FUEL SELECTOR VALVE	1	
	0511191-3	BRACKET ASSEMBLY-FUEL SELECTOR VALVE	1	
	0511191-5	BRACKET ASSEMBLY-FUEL SELECTOR VALVE	1	
		ATTACHING PARTS		
- 23	NAS395-18-3	NUT TIN A1787-8Z-3	2	
- 24	S-1021Z-8-6	SCREW CESSNA STANDARD	2	
- 25	0511190	BRACKET	1	
- 26	0511167-5	PLATE ASSEMBLY	1	L M F P R F P R L M
	0511167-13	PLATE ASSEMBLY	1	
	0511167-9	PLATE ASSEMBLY	1	
	0511167-11	PLATE ASSEMBLY	1	
	0511167-15	PLATE ASSEMBLY	1	
	0511167-8	PLACARD-FUEL SELECTION	1	
	0511167-10	PLACARD-FUEL SELECTION	1	
	0511167-14	PLACARD-FUEL SELECTION	1	
	0511167-4	PLACARD-FUEL SELECTION	1	
	0511167-12	PLACARD-FUEL SELECTION	1	
		ATTACHING PARTS		
	S-1021Z-4-6	SCREW CESSNA STANDARD	4	
- 27	0511198	CUP	1	
	0511157-19	HANDLE ASSEMBLY-FUEL SELECTOR VALVE	1	
		ATTACHING PARTS		
- 28	MS24665-134	PIN-COTTER	1	
		ATTACHING PARTS		

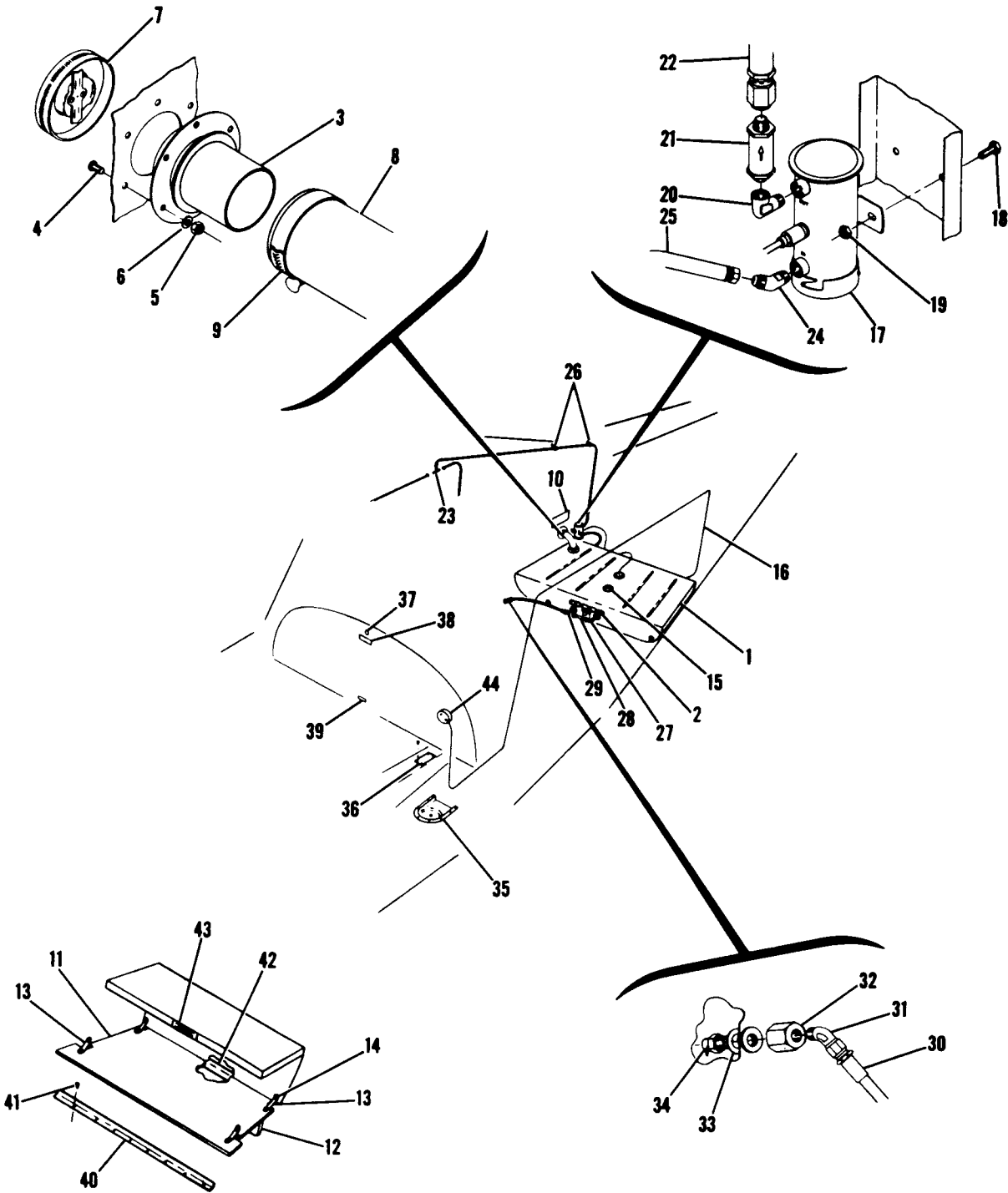
CONTINUED ON PAGES 276 & 277

FIGURE AND INDEX NO.	PART NUMBER	DESCRIPTION	UNITS PER ASSY							USABLE ON CODE	
			1	2	3	4	5	6	7		
79- 29	0716612-202	HANDLE-FUEL SELECTOR VALVE -----								1	
	0511157-14	SHAFT ASSEMBLY-FUEL SELECTOR VALVE -----								1	
- 30	0511157-11	SHAFT -----								1	
- 31	0511157-18	SHAFT -----								1	
- 32	0511194-4	PIVOT -----								2	
- 33	0511127	SPACER -----								1	
- 34	AN960-6	WASHER -----								4	
- 35	0425134	PIN -----								2	
- 36	MS24665-136	PIN-COTTER -----								1	
- 37	0511195	GUIDE-FUEL SELECTOR VALVE SHAFT -----								1	
- 38	0500106-204	LINE ASSEMBLY-FUEL SELECTOR VALVE TO UNION -----								1	T
- 39	AN815-6D	UNION -----								1	T
- 40	MS35489-12	GROMMET -----								1	T
	MS35489-15S	GROMMET -----								1	R
- 41	0500106-203	LINE ASSEMBLY-UNION TO ELBOW -----								1	T
-41A	0500106-344	LINE ASSEMBLY-FUEL SELECTOR VALVE TO FIREWALL -----								1	R
- 42	AN837-6D	ELBOW -----								1	T
	AN837-8D	ELBOW -----								1	R
		ATTACHING PARTS									
	AN924-6D	NUT -----								1	T
	AN924-8D	NUT -----								1	R
	AN960-D1216	WASHER -----								2	R
- 43	0500106-193	LINE ASSEMBLY-ELBOW TO STRAINER -----								1	T
	0500106-345	LINE ASSEMBLY-ELBOW TO STRAINER -----								1	R
		ATTACHING PARTS									
	AN816-6D	NIPPLE -----								1	T
	AN823-8D	ELBOW -----								1	R
- 44		STRAINER & DRAIN CONTROL INSTALLATION SEE FIG 80 -----								NP	
- 45	0500106-59	LINE ASSEMBLY-STRAINER TO FIREWALL -----								1	D
	0500106-241	LINE ASSEMBLY-STRAINER TO FIREWALL -----								1	A
		ATTACHING PARTS									
- 46	A2980A-2	CLAMP TIN -----								1	
	NAS446-4-3	NUT TIN A1778-8Z-3 -----								1	
	S-1021Z-8-6	SCREW CESSNA STANDARD -----								1	
- 47	AN816-2D	NIPPLE -----								1	
- 48	0500106-121	LINE ASSEMBLY-FIREWALL TO PRIMER LH -----								1	J
	0500106-269	LINE ASSEMBLY-FIREWALL TO PRIMER LH -----								1	K
	0500106-242	LINE ASSEMBLY-FIREWALL TO PRIMER LH -----								1	A
		ATTACHING PARTS									
- 49	AN832-2D	UNION -----								1	
	AN924-2D	NUT -----								1	
	AN960-516	WASHER -----								1	
- 50	0500106-122	LINE ASSEMBLY-FIREWALL TO PRIMER RH -----								1	J
	0500106-270	LINE ASSEMBLY-FIREWALL TO PRIMER RH -----								1	K
	0500106-243	LINE ASSEMBLY-FIREWALL TO PRIMER RH -----								1	A
		ATTACHING PARTS									
- 51	AN832-2D	UNION -----								1	
	AN924-2D	NUT -----								1	
	AN960-516	WASHER -----								1	
- 52	0311538-8	PRIMER ASSEMBLY-ENGINE -----								1	
- 53	0500106-245	LINE ASSEMBLY-FIREWALL TO ENGINE -----								1	N
	0500106-22	LINE ASSEMBLY-FIREWALL TO ENGINE -----								1	D
		ATTACHING PARTS									
- 54	A2980A-2-27	CLAMP TIN -----								3	D
	S-1021Z-8-6	SCREW CESSNA STANDARD -----								2	D
	NAS446-4-3	NUT TIN A1778-8Z-3 -----								2	D
- 55	S-1167-6-0210	HOSE ASSEMBLY-STRAINER TO CARBURETOR CESSNA STD -----								1	U
	S-1167-8-0210	HOSE ASSEMBLY-STRAINER TO CARBURETOR CESSNA STD -----								1	R
	S-1167-6-0230	HOSE ASSEMBLY-STRAINER TO CARB-----CESSNA STANDARD-----								1	V
	S-1167-6-0254	HOSE ASSEMBLY-STRAINER TO CARB-----CESSNA STANDARD-----								1	M
		ATTACHING PARTS									
	MS20822-6D	ELBOW -----								2	T
	MS20822-8D	ELBOW -----								2	R
	MS21919DG-12	CLAMP -----								1	
	NAS434-D12	CLAMP -----								1	
	S-1021Z-10-8	SCREW CESSNA STANDARD -----								1	

CONTINUED ON PAGE 277

FIGURE AND INDEX NO.	PART NUMBER	DESCRIPTION	UNITS PER ASSY	USABLE ON CODE
		1 2 3 4 5 6 7		
79- 56 - 57 - 58 - 59 - 60 - 61	0422130 0500106-308 AN834-2D AN924-2D AN960D516 0500106-309 0500106-310 AN4022-1	STRAINER ASSEMBLY ----- LINE ASSEMBLY-FIREWALL TO BAFFLE ----- TEE ----- NUT ----- WASHER----- LINE ASSEMBLY-TEE TO CYLINDER ----- LINE ASSEMBLY-TEE TO CYLINDER ----- NIPPLE-PRIMING JET ----- NOTE. # SEE FIGURES 7 & 8 FOR EXPLANATION NOTE. * IF NEW WING HAS BEEN INSTALLED AFTER DECEMBER 1, 1959 ON AIRCRAFT PRIOR TO 172 SERIAL 46755 OR 175 SERIAL 56239, ORDER EITHER 0523559-1 OR -3, OR ON ANY 172 OR 175 MODIFIED TO USE 3/8 IN VENT LINES, ORDER 0523559-8 OR 0523559-6 VENT TUBE ASSEMBLY. A---175 SERIAL 55001 THRU 17557119 B---172 SERIAL 29820 THRU 46754 C---175 SERIAL 55001 THRU 17557119 172 SERIAL 29820 THRU 17249544 D---172 SERIAL 28000 THRU 17249544 E---172 SERIAL 28000 THRU 29819 F---175 SERIAL 55001 THRU 56238 G---175 SERIAL 56239 THRU 17557119 H---175 SERIAL 46755 THRU 17248734 J---172 SERIAL 28000 THRU 36965 K---172 SERIAL 36966 THRU 17249544 L---172 SERIAL 28000 THRU 47746 M---172 SERIAL 17247747 THRU 17249544 N---175 SERIAL 55001 THRU 56777 O---175 SERIAL 17556778 THRU 17557119 P---175 SERIAL 56239 THRU 17557002 R---175 SERIAL 17557003 THRU 17557119 S---172 SERIAL 17248735 THRU 17249544 T---172 SERIAL 28000 THRU 17249544 175 SERIAL 55001 THRU 17557002 U---175 SERIAL 55001 THRU 17557002 V---172 SERIAL 28000 THRU 17247746	2 1 1 1 1 1 1 2	O O O O O O O
		1 2 3 4 5 6 7		
79A- - 1 - 2 - 3 - 4 - 5 - 6	0716128-33 0716128-5 0716128-23 0716128-26 AN515-6R7 MS20365-632C AN960D6	AUXILIARY FUEL TANK INSTALLATION KIT ----- TANK ASSEMBLY-FUEL ATTACHING PARTS 172 SERIAL 17247747 RESTRAINER-FORWARD THRU 17249544 -----*----- FILLER NECK----- ATTACHING PARTS SCREW ----- 175 SERIAL 55001 NUT ----- WASHER----- THRU 17557119 -----*----- NOTE. FOR ACCESSORY KIT LISTINGS REFER TO PAGE 364 CONTINUED ON PAGES 278 & 279	1 1 1 1 6 6 6	A

Fuel System (Cont)



172 SERIAL 17247747 THRU 17249544
175 SERIAL 55001 THRU 17557119

Figure 79A. Auxiliary Fuel System

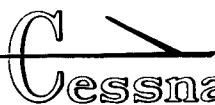
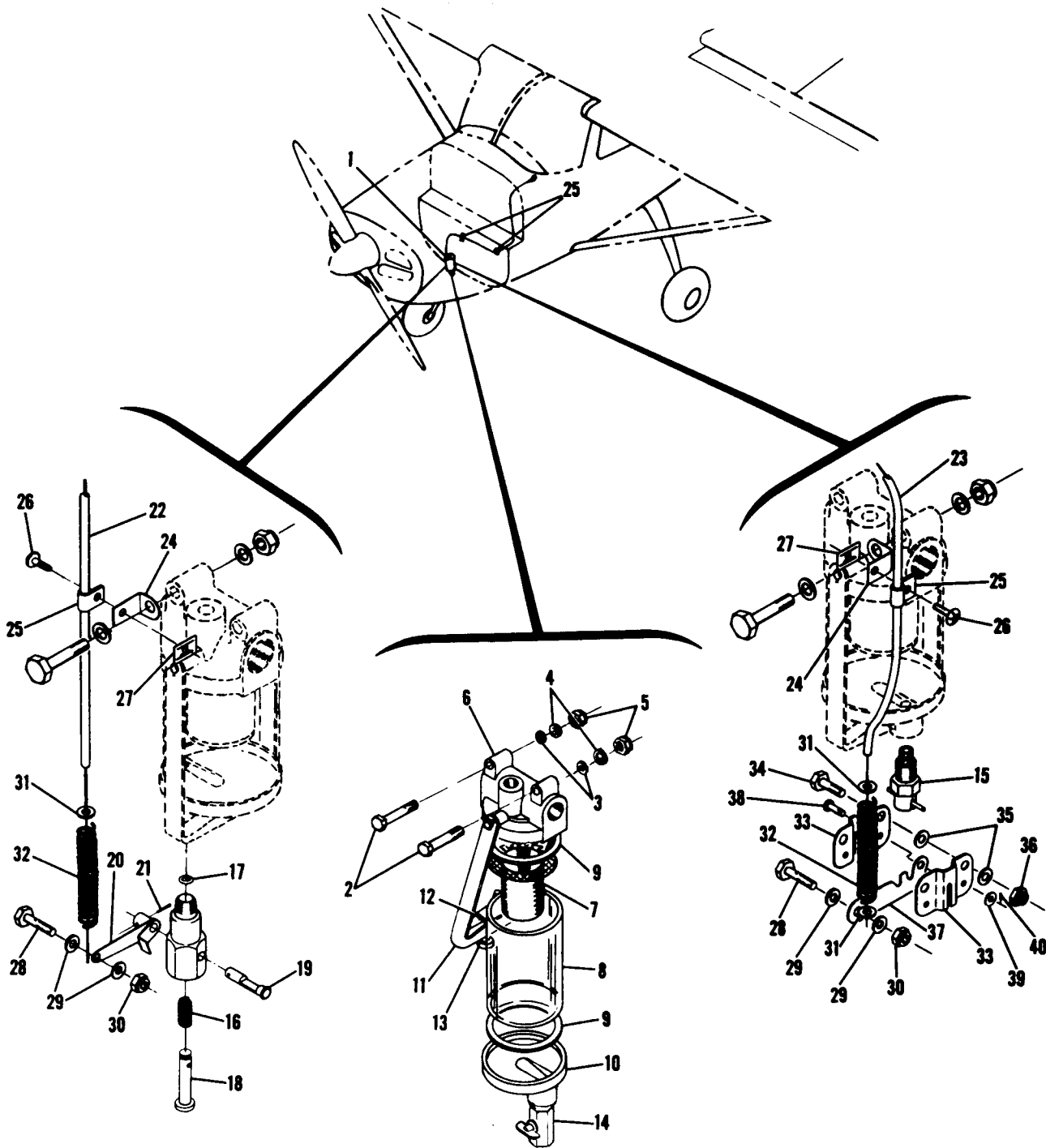


FIGURE AND INDEX NO.	PART NUMBER	DESCRIPTION	UNITS PER ASSY	USABLE ON CODE
		1 2 3 4 5 6 7		
79A- 7	0716128-24	GAS CAP -----	1	
- 8	0716128-25	HOSE-FILLER NECK ----- ATTACHING PARTS -----	1	
- 9	AN737TW82	CLAMP -----	2	
- 10	0716128-18	PLATE ASSEMBLY-FILL INSTRUCTIONS -----	1	
- 11	0716128-6	FLOOR ASSEMBLY -----	1	
- 12	0716128-7	SUPPORT-FLOOR ----- ATTACHING PARTS -----	1	
	AN545-6R8	SCREW -----	4	
- 13	0716128-10	BRACKET-FLOOR ----- ATTACHING PARTS -----	4	
- 14	AN3-3A	BOLT -----	1	
	AN970-3	WASHER -----	2	
	MS20365-1032C	NUT -----	2	
	AN3-6A	BOLT -----	1	
- 15	0716128-15	PEG-FLOOR SUPPORT -----	1	
- 16	0716128-9	WIRE BUNDLE -----	1	
- 17	0716128-13	PUMP-TRANSFER ----- ATTACHING PARTS -----	1	
- 18	AN3-3A	BOLT -----	2	
- 19	MS20365-1032C	NUT -----	2	
- 20	AN914-1D	ELBOW -----	1	
- 21	0716128-14	CHECK VALVE -----	1	
- 22	0716128-12	HOSE-PUMP TO TEE -----	1	
- 23	AN824-6D	TEE -----	1	
- 24	AN823-4D	ELBOW-PUMP HOSE CONNECTION -----	1	
- 25	0716128-11	HOSE-TANK TO PUMP -----	1	
	MS20822-4D	ELBOW-PUMP HOSE CONNECTION -----	1	
- 26	TA3-716D9	CLAMP THAS ----- ATTACHING PARTS -----	2	
	AN3-3A	BOLT -----	2	
	MS20365-1032C	NUT -----	1	
- 27	0716128-45	DOUBLER-STA 90.00 BULKHEAD -----	1	
- 28	MS20822-4D	ELBOW -----	1	
- 29	0716128-22	HOSE-CONNECTOR -----	1	
- 30	AN825-4D	TEE -----	1	
- 31	0716128-11	HOSE-DRAIN -----	1	
- 32	AN823-4D	ELBOW -----	1	
- 33	0716128-17	ADAPTER -----	1	
- 34	AN960-716L	WASHER -----	1	
- 35	0716128-16	DRAIN VALVE -----	1	
- 35	0716128-32	VENT ASSEMBLY ----- ATTACHING PARTS -----	1	
	S-1021Z-2R4	SCREW CESSNA STANDARD -----	10	
- 36	0716128-27	PLACARD-INSTRUCTION ----- ATTACHING PARTS -----	1	
	S-1021Z-6-8	SCREW CESSNA STANDARD -----	4	
- 37	0716128-28	SWITCH-FUEL TRANSFER -----	1	
- 38	0716128-31	PLACARD-FUEL TRANSFER SWITCH -----	1	
- 39	0716128-29	PLACARD-CIRCUIT BREAKER -----	1	
- 40	0716128-19	RETAINER-TANK CLOSURE ----- ATTACHING PARTS -----	1	
- 41	S-1021Z-8-8	SCREW CESSNA STANDARD -----	8	
- 42	0716128-8	ANGLE-CURTAIN -----	1	
- 43	0716128-20	PLACARD-BAGGAGE LOADING -----	1	
- 44	0716128-30	GAGE-AUXILIARY FUEL ----- ATTACHING PARTS -----	1	
	0411897-3	COVER PLATE -----	1	
		A---172 SERIAL 17247747 THRU 17249544 175 SERIAL 55001 THRU 17557119		
		NOTE. FOR ACCESSORY KIT LISTINGS REFER TO PAGE 364		

Fuel System (Cont)

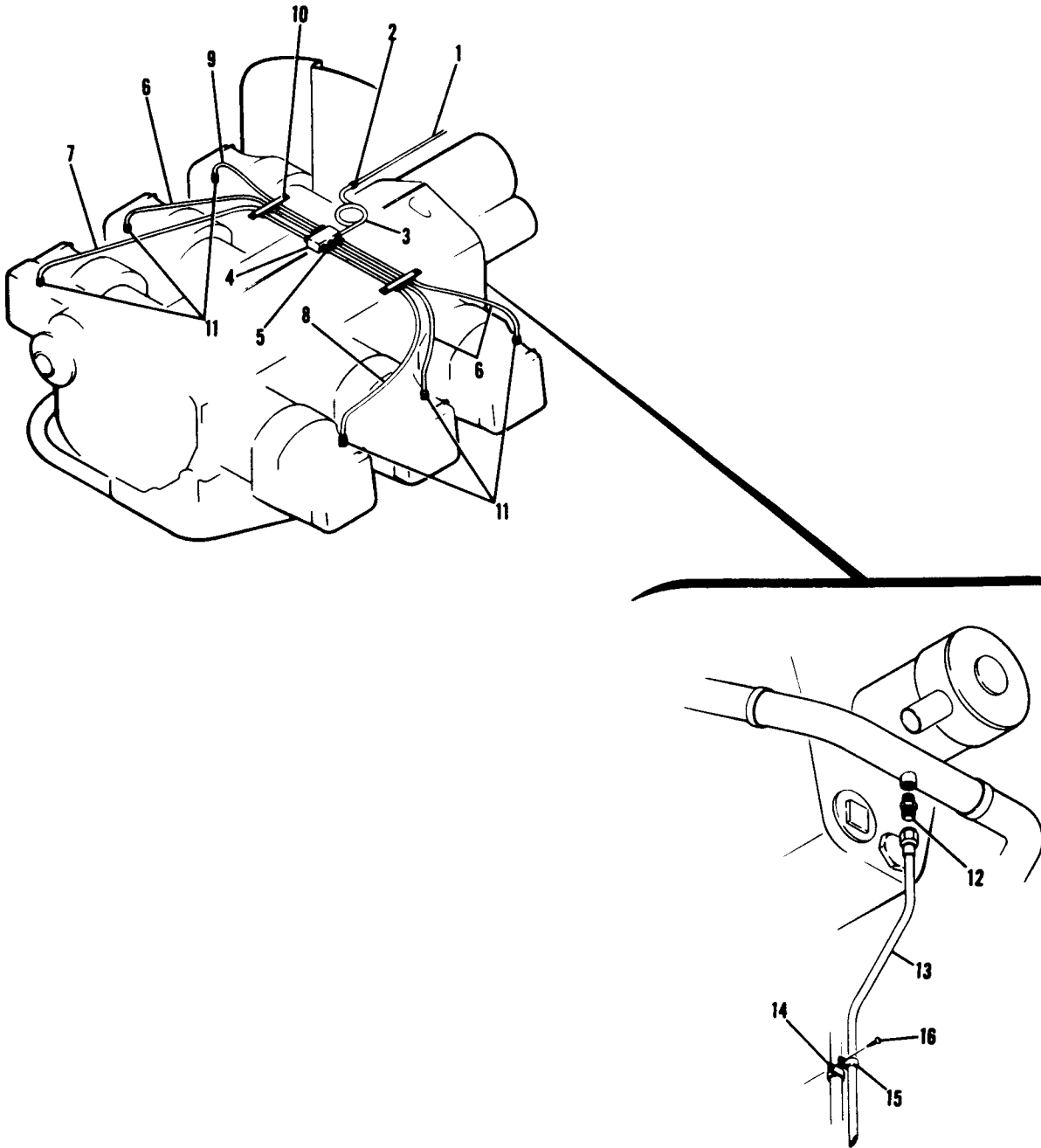


172 SERIAL 28000 THRU 17249544
175 SERIAL 55001 THRU 17557119

Figure 80. Strainer and Drain Control Installation

FIGURE AND INDEX NO.	PART NUMBER	DESCRIPTION	UNITS PER ASSY	USABLE ON CODE
		1 2 3 4 5 6 7		
80-		STRAINER & DRAIN CONTROL INSTALLATION-----	NP	
- 1	0511199-21 0511199-38 0511199-48	STRAINER ASSEMBLY-FUEL ----- 172 SERIAL ----- STRAINER ASSEMBLY-FUEL ----- 28000 THRU ----- STRAINER ASSEMBLY-FUEL ----- 17249544 ----- ATTACHING PARTS	1 1 1	C M N
- 2	AN4-14A	BOLT -----	2	
- 3		DELETED-NOT PROCURABLE ----- 17249544 -----	NP	
- 4	AN960-416L	WASHER-----	2	
- 5	MS20365-428C	NUT -----	2	
		*-----		
- 6	33-199-26 33-199-2	BODY ASSEMBLY-FUEL STRAINER GARW ----- 175 SERIAL ----- BODY ASSEMBLY-FUEL STRAINER GARW ----- 55001 -----	1 1	O N
- 7	33-199-4	SCREEN ASSEMBLY GARW-----	1	
- 8	33-199-5	GLASS BOWL GARW-----	1	
- 9	33-199-6	GASKET GARW -----	2	
- 10	33-199-1	CAP -----	1	
- 11	33-199-3	ARM ASSEMBLY GARW -----	1	
- 12	33-199-8	NUT GARW -----	1	
- 13	33-199-7	BOLT-----GARW -----	1	
- 14	CCA-7450	VALVE-DRAIN-----CTAD -----	1	A
- 15	0850410-1 0511199-41	VALVE-DRAIN----- VALVE-DRAIN-----	1 1	B J
- 16	0851583-3	SPRING -----	1	
- 17	MS29513-7	O-RING -----	1	
- 18	0851583-2	PLUNGER -----	1	
- 19	0851592-1	SHAFT -----	1	
- 20	0756001-8	LEVER -----	1	
- 21	MS24665-281	PIN-COTTER -----	1	
- 22	0713302-7 0713302-7	CONTROL ASSEMBLY-STRAINER DRAIN REF 0513159-12----- CONTROL ASSEMBLY-STRAINER DRAIN REF 0513159-17-----	1 1	C L
- 23	0411090-29 0411090-29 0713302-7 0713302-7	CONTROL ASSEMBLY-STRAINER DRAIN ----- CONTROL ASSEMBLY-STRAINER DRAIN REF 0411090-35----- CONTROL ASSEMBLY-STRAINER DRAIN REF 0513159-9----- CONTROL ASSEMBLY-STRAINER DRAIN REF 0513159-18-----	1 1 1 1	D E F K
		ATTACHING PARTS		
- 24	0756001-3	SUPPORT -----	1	
- 25	AN742D3	CLAMP -----	4	
- 26	S-1021Z-8-6	SCREW CESSNA STANDARD -----	4	
- 27	NAS446-4-3	NUT -----	4	
- 28	0450311	CLAMP -----	1	
- 29	AN960-10	WASHER-----	2	
- 30	MS20365-1032C	NUT -----	1	
		*-----		
- 31	AN960-2	WASHER-----	1	G
- 32	0756002	SPRING-----	1	G
- 33	0756001-1	CLAMP-HALF ----- ATTACHING PARTS	2	B
- 34	AN3-4A	BOLT -----	2	
- 35	AN960-10L	WASHER-----	2	
- 36	MS20365-1032C	NUT -----	2	
		*-----		
- 37	0756001-2	PAWL-DRAIN VALVE----- ATTACHING PARTS	1	B
- 38	MS20392-1-7	PIN -----	1	
- 39	AN960-2	WASHER-----	1	
- 40	MS24665-132	PIN-COTTER -----	1	
		*-----		
		A---172 SERIAL 28000 THRU 46754		
		B---175 SERIAL 55001 THRU 56777		
		C---172 SERIAL 46755 THRU 47746		
		D---175 SERIAL 55001 THRU 55437		
		E---175 SERIAL 55438 THRU 55703		
		F---175 SERIAL 55704 THRU 56777		
		G---172 SERIAL 46755 THRU 17249544		
		175 SERIAL 55001 THRU 17557119		
		H---172 SERIAL 17247747 THRU 17249544		
		175 SERIAL 17556778 THRU 17557119		
		J---172 SERIAL 46755 THRU 17249544		
		175 SERIAL 17556778 THRU 17557119		
		K---175 SERIAL 17556778 THRU 17557119		
		L---172 SERIAL 17247747 THRU 17249544		
		M---172 SERIAL 17247747 THRU 17249544		
		175 SERIAL 55001 THRU 17557002		
		N---175 SERIAL 17557003 THRU 17557119		
		O---172 SERIAL 28000 THRU 17249544		
		175 SERIAL 55001 THRU 17557002		

Fuel System (Cont)



175 SERIAL SEE CODE A

Figure 80A. Six Cylinder Priming System

FIGURE AND INDEX NO.	PART NUMBER	DESCRIPTION	UNITS PER ASSY	USABLE ON CODE
80A-		PRIMING SYSTEM INSTALLATION-SIX CYLINDER	MP	A
- 1	0500106-271	LINE ASSEMBLY-PRIMER FIREWALL TO BAFFLE	1	B
	0500106-300	LINE ASSEMBLY-PRIMER FIREWALL TO BAFFLE	1	C
- 2	AN823-2D	UNION	1	
	AN960D516	WASHER	2	
	AN924-2D	NUT	1	
- 3	0500106-272	LINE ASSEMBLY-PRIMER BAFFLE TO DISTRIBUTOR	1	B
	0500106-301	LINE ASSEMBLY-PRIMER BAFFLE TO DISTRIBUTOR	1	D
	0500106-313	LINE ASSEMBLY-PRIMER BAFFLE TO DISTRIBUTOR	1	E
	AN816-2D	NIPPLE	1	
- 4	0750125-10	DISTRIBUTOR-PRIMER	1	
	0550202-9	ATTACHING PARTS	1	
		175 SERIAL		
		SEE CODE A		
- 5	AN780-2	NIPPLE	6	
- 6	0750125-4	LINE ASSEMBLY-PRIMER DISTRIBUTOR TO CYLINDERS 2, 3 & 4	3	
- 7	0750125-1	LINE ASSEMBLY-PRIMER DISTRIBUTOR TO CYLINDER 5	1	
- 8	0750125-2	LINE ASSEMBLY-PRIMER DISTRIBUTOR TO CYLINDER 6	1	
- 9	0550202-3	LINE ASSEMBLY-PRIMER DISTRIBUTOR TO CYLINDER 1	1	
		ATTACHING PARTS		
- 10	0550202-11	BRACKET	2	
	0750125-9	CLAMP	2	
	S-1021Z-10-8	SCREW CESSNA STANDARD	4	
	0750125-11	NUT	4	
- 11	AN4022-1	NIPPLE-PRIMING JET	6	
- 12	AN816-4D	NIPPLE-MANIFOLD	1	
- 13	0500106-244	LINE ASSEMBLY-MANIFOLD DRAIN	1	B
	0500106-302	LINE ASSEMBLY-MANIFOLD DRAIN	1	C
		ATTACHING PARTS		
- 14	A2982A-12-27	CLAMP TIN	1	
- 15	A2980A-4-27	CLAMP TIN	1	
- 16	S-1021Z-10-8	SCREW CESSNA STANDARD	1	
	AN932C2	PLUG	1	
<p>A---THIS INSTALLATION IS APPLICABLE TO MODEL 175 AIRPLANES WITH ENGINE SERIAL NUMBERS 5077, 5079, 5081, 5084 & ON.</p> <p>B---175 ENGINE SERIAL NUMBERS 5077, 5079, 5081, 5084 THRU AIRCRAFT SERIAL 56238</p> <p>C---175 SERIAL 56239 THRU 17557119</p> <p>D---175 SERIAL 56239 THRU 56672</p> <p>E---175 SERIAL 56673 THRU 17557119</p> <p>NOTE. FOR ACCESSORY KIT LISTINGS REFER TO PAGE 364</p>				

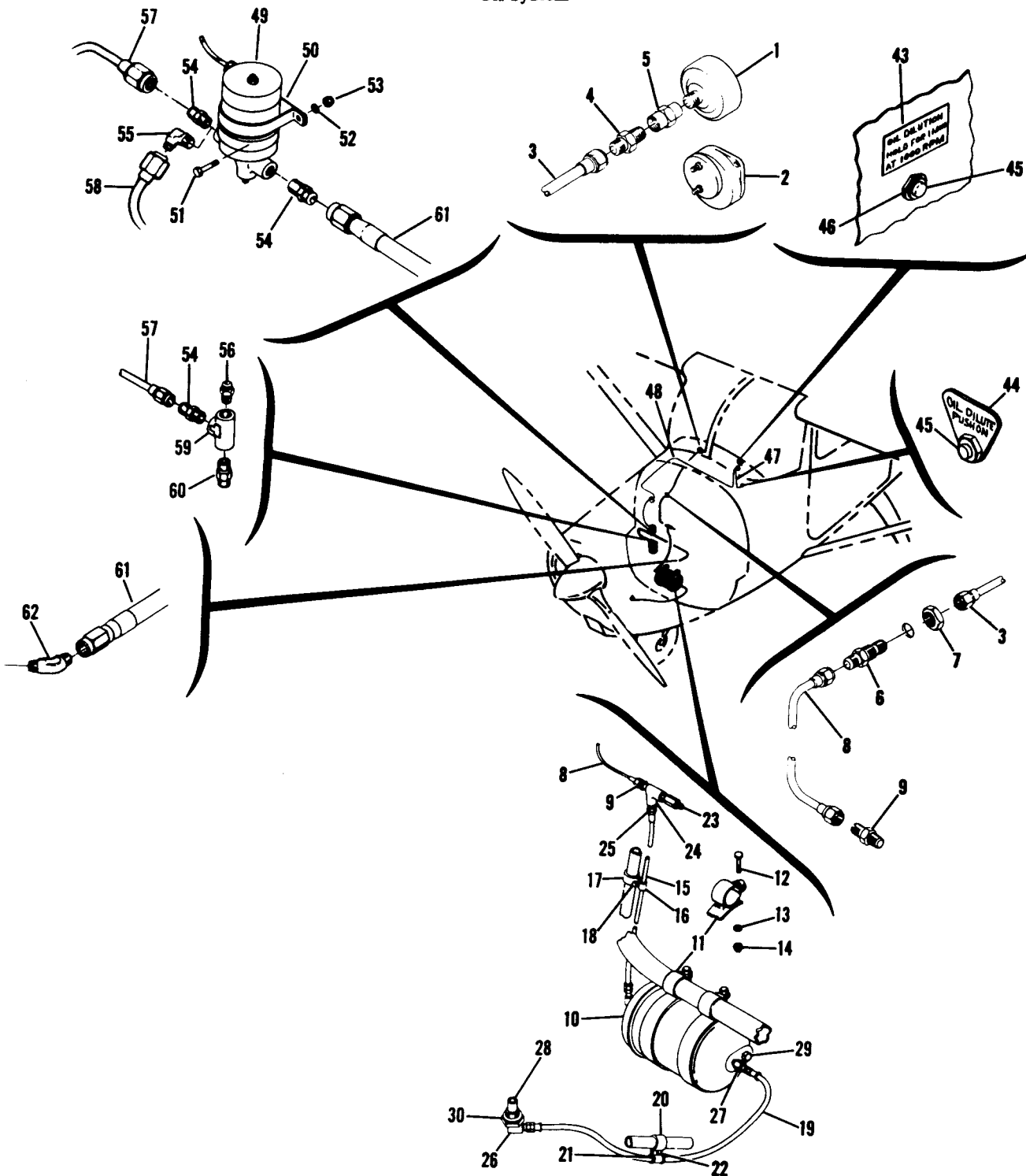
This page intentionally left blank.

FIGURE AND INDEX NO.	PART NUMBER	DESCRIPTION	UNITS PER ASSY	USABLE ON CODE
		1 2 3 4 5 6 7		
81-		OIL SYSTEM INSTALLATION-----	NP	
- 1	0411016-2	GAGE-OIL PRESSURE DIRECT PRESSURE -----	1	F
	0513144-8	GAGE-OIL PRESSURE DIRECT PRESSURE -----	1	G
- 2	0513144-9	GAGE-OIL PRESSURE ELECTRIC-----	1	J
- 3	0500106-20	LINE ASSEMBLY-FIREWALL TO GAGE--	1	G
	0500106-136	LINE ASSEMBLY-FIREWALL TO GAGE--	1	D
	0500106-273	LINE ASSEMBLY-FIREWALL TO GAGE--	1	E
	0500106-293	LINE-OIL PRESSURE -----	1	H
- 4	AN816-2D	NIPPLE-----	1	A
- 5	AN910-1D	COUPLING -----	1	A
- 6	AN832-2D	UNION -----	1	A
		ATTACHING PARTS		
- 7	AN924-2D	NUT -----	1	A
		-----*		
- 8	0500106-26	LINE ASSEMBLY-ENGINE TO FIREWALL	1	A
		ATTACHING PARTS		
	AN742D2	CLAMP -----	1	
		-----*		
- 9	AN816-2B	ADAPTER -----	1	A
		OIL FILTER INSTALLATION-FRAM PB5 -----	NP	K
- 10	0550150-7	FILTER -----	1	
		ATTACHING PARTS		
- 11	0550150-8	CLAMP ASSEMBLY-----	2	
- 12	AN4-8A	BOLT-----	2	
- 13	AN960-416	WASHER -----	2	
- 14	MS20365-428C	NUT -----	2	
		-----*		
- 15	0550150-5	HOSE-OIL INPUT-----	1	
		ATTACHING PARTS		
- 16	MS21919DG6	CLAMP -----	1	
- 17	NAS434-16D	CLAMP -----	1	
- 18	S-1021Z-10-8	SCREW CESSNA STANDARD -----	1	
		-----*		
- 19	0550150-10	HOSE-OIL OUTLET -----	1	
		ATTACHING PARTS		
- 20	NAS434-D10	CLAMP -----	1	
- 21	MS21919DG6	CLAMP -----	1	
- 22	S-1021Z-10-8	SCREW CESSNA STANDARD -----	1	
		-----*		
- 23	0550150-2	EXTENSION-----	1	
- 24	0550150-3	TEE -----	1	
- 25	0550150-4	RESTRICTOR -----	1	
- 26	0550150-6	ELBOW -----	1	
- 27	0550150-9	CONNECTOR-----	1	
- 28	0550150-11	ADAPTER -----	1	
- 29	0550150-13	PLUG-----	1	
- 30	0550150-14	GASKET -----	1	

NOTE. FOR ACCESSORY KIT LISTINGS REFER TO PAGE 364

CONTINUED ON PAGE 287

Oil System



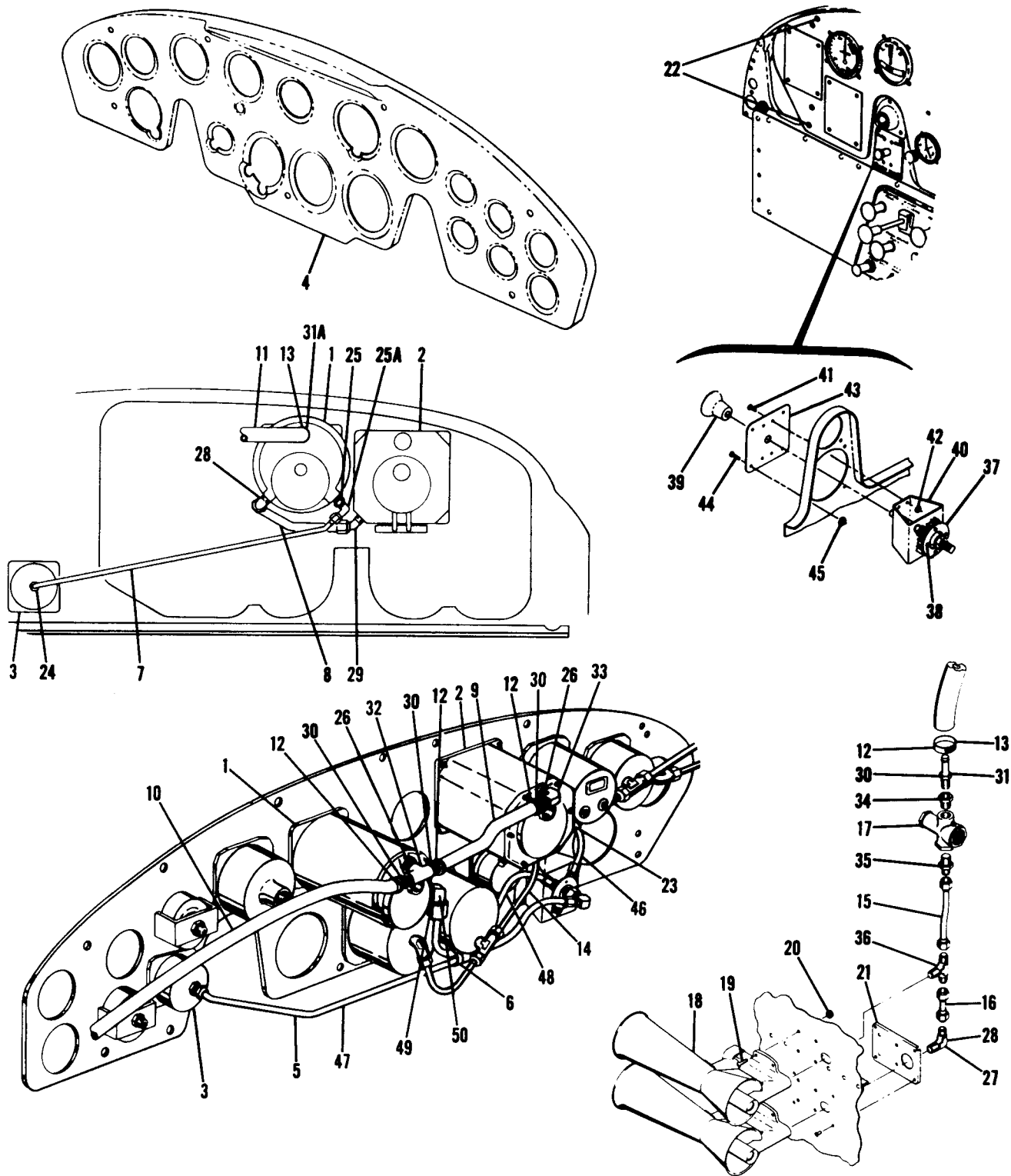
MODEL 172 FRAM PB5 INSTL

172 SERIAL 28000 THRU 17249544
175 SERIAL 55001 THRU 17557119

Figure 81. Oil System Installation

FIGURE AND INDEX NO.	PART NUMBER	DESCRIPTION	UNITS PER ASSY	USABLE ON CODE
81-		DELETED, NEVER USED -----		
- 31		DELETED, NEVER USED -----		
- 32		DELETED, NEVER USED -----		
- 33		DELETED, NEVER USED -----		
- 34		DELETED, NEVER USED -----		
- 35		DELETED, NEVER USED -----		
- 36		DELETED, NEVER USED -----		
- 37		DELETED, NEVER USED -----		
- 38		DELETED, NEVER USED -----		
- 39		DELETED, NEVER USED -----		
- 40		DELETED, NEVER USED -----		
- 41		DELETED, NEVER USED -----		
- 42		DELETED, NEVER USED -----		
		OIL DILUTION INSTALLATION -----		
- 43	0550152	PLACARD -----	1	
- 44	0513153-2	PLACARD -----	1	
	0513163-3	PLACARD -----	1	
- 45	0511063	SWITCH -----	1	
		ATTACHING PARTS -----		
- 46	AN935-816L	WASHER -----	1	
		-----*		
- 47		DELETED-NOT PROCURABLE -----	NP	
- 48		DELETED-NOT PROCURABLE -----	NP	
- 49	AN4078-1	VALVE-DILUTION -----	1	
		ATTACHING PARTS -----		
- 50	A2980A-32-3	CLAMP TIN -----	2	
- 51	AN3-5A	BOLT -----	2	
- 52	AN960-10L	WASHER -----	2	
- 53	MS20365-1032C	NUT -----	2	
		-----*		
- 54	AN816-4D	NIPPLE -----	4	
- 55	MS20822-4D	ELBOW -----	1	
- 56	AN816-2D	NIPPLE -----	1	
- 57	0500106-210	LINE ASSEMBLY-DILUTION VALVE TO FUEL STRAINER -----	1	
- 58	0500106-231	LINE ASSEMBLY-DILUTION VALVE TO FUEL STRAINER -----	1	
- 59	AN917-1D	TEE -----	1	
- 60	AN911-1D	NIPPLE -----	1	
- 61	S-1167-4-0164	HOSE ASSEMBLY-DILUTION VALVE TO ENGINE -----	1	
- 62	AN823-4D	ELBOW -----	1	
<p>A---172 SERIAL 28000 THRU 17249544</p> <p>B---175 SERIAL 55001 THRU 17557119</p> <p>C---172 SERIAL 28000 THRU 29175</p> <p>D---172 SERIAL 29176 THRU 36965</p> <p>E---172 SERIAL 36966 THRU 17249544</p> <p>F---172 SERIAL 28000 THRU 36965</p> <p>G---172 SERIAL 36966 THRU 17249544</p> <p style="padding-left: 20px;">175 SERIAL 56239 THRU 17557119</p> <p>H---175 SERIAL 56239 THRU 17557119</p> <p>J---175 SERIAL 55001 THRU 56238</p> <p>K---THIS INSTALLATION IS APPLICABLE ON 172 ONLY.</p> <p style="padding-left: 20px;">28000 THRU 47746</p> <p>L---172 SERIAL 36966 THRU 47746</p> <p>M---172 SERIAL 28000 THRU 17248734</p> <p style="padding-left: 20px;">175 SERIAL 55001 THRU 17557002</p> <p>N---175 SERIAL 55001 THRU 17557002</p> <p>O---172 SERIAL 36966 THRU 17248734</p> <p>P---172 SERIAL 28000 THRU 17248734</p>				
<p>NOTE. FOR ACCESSORY KIT LISTINGS REFER TO PAGE 364</p>				

Vacuum System



172 SERIAL 28000 THRU 47746

Figure 82. Dual Venturi Gyro System

FIGURE AND INDEX NO.	PART NUMBER	DESCRIPTION	UNITS PER ASSY	USABLE ON CODE		
					1	2
82-		DUAL VENTURI GYRO INSTALLATION -----	1	G		
- 1	0311058-4	GYRO-HORIZON NEW -----	1	D		
	0311058-5	GYRO-HORIZON REMANUFACTURED WHEN -----	1	D		
	S-1309N1	EXHAUSTED USE S-1309N1 -----	1	D		
- 2	0311056-5	GYRO-DIRECTIONAL REMANUFACTURED -----	1	D		
	0311056-4	GYRO-DIRECTIONAL NEW -----	1	D		
		EXHAUSTED USE S-1316N1 -----	1	D		
	S-1316N1	GYRO-DIRECTIONAL REMANUFACTURED -----	1	D		
	AN520B10R14	ATTACHING PARTS -----	AR	B		
	AN520B10R16	SCREW -----	AR	C		
		SCREW -----				
- 3	0311057-2	SUCTION GAGE WHEN EXHAUSTED USE S-1300N1 -----	1			
	S-1300N1	SUCTION GAGE REMANUFACTURED -----	1			
	AN515B6R12	ATTACHING PARTS -----	4			
		SCREW -----				
	0513004-10	PANEL-GYRO COVER -----	1	A		
- 4	0513004-34	PANEL-GYRO COVER -----	1	B		
- 5	0500106-248	LINE ASSEMBLY-DIRECTIONAL GYRO TO SUCTION GAGE -----	1	E		
		ATTACHING PARTS -----				
- 6	49237	HARNESS UC -----	1	E		
		SCREW -----				
- 7	0500106-289	LINE ASSEMBLY-HORIZON GYRO TO SUCTION GAGE -----	1	C		
- 8	0500106-288	LINE ASSEMBLY-HORIZON GYRO DIRECTIONAL GYRO -----	1	C		
- 9	S-51-6	HOSE 3.75 IN LG BULK ITEM REF S-51-6-15 -----	1	E		
- 10	S-51-6	HOSE 21 IN LG BULK ITEM REF S-51-6-84 -----	1	E		
- 11	S-51-6	HOSE 30.5 IN LG BULK ITEM REF S-51-6-122 -----	1	C		
		ATTACHING PARTS -----				
- 12	NAS397-12	CLAMP TIN A3122-12-1 -----	4	E		
- 13	NAS397-12	CLAMP TIN A3122-12-1 -----	2	C		
		SCREW -----				
- 14	0500106-123	LINE ASSEMBLY-ALTIMETER TO AIRSPEED INDICATOR -----	1	E		
- 15	0500106-148	LINE ASSEMBLY-RELIEF VALVE TO VENTURI TUBE -----	1			
- 16	0500106-155	LINE ASSEMBLY-CONNECT VENTURI TUBES -----	1	H		
- 17	0511059	VALVE-RELIEF WHEN EXHAUSTED USE 0813619-3 -----	1			
	0813619-3	VALVE-RELIEF -----	1			
- 18	AN5807-1	TUBE-VENTURI SPE 21-0102 -----	2	H		
	0511318-1	SUPER VENTURI -----	1	J		
		ATTACHING PARTS -----				
- 19	AN515-10R10	SCREW -----	4			
- 20	MS20365-1032C	NUT -----	4			
		SCREW -----				
- 21	0511473-1	STIFFENER -----	1	H		
- 22	0411059-1	SHOCK MOUNT -----	3	E		
	0411059-1	SHOCK MOUNT -----	2	C		
	S-355-1	SPACER-----CESSNA STANDARD-----	3	E		
	S-355-1	SPACER-----CESSNA STANDARD-----	2	C		
	AN936A8	LOCK WASHERS -----	6	C		
	AN936A8	LOCK WASHERS -----	4	C		
	AN340B8	NUT -----	6	E		
	AN340B8	NUT -----	4	C		
- 23	AN816-2D	NIPPLE -----	1	E		
- 24	AN816-2D	NIPPLE -----	1	C		
- 25	AN912-1D	BUSHING -----	1			
-25A	MS20822-2D	ELBOW -----	1	C		
- 26	AN911-2D	NIPPLE -----	2	E		
- 27	MS20822-6D	ELBOW -----	1	H		
- 28	MS20822-6D	ELBOW -----	1	C		
- 29	AN823-6D	ELBOW -----	1	C		
- 30	AN840-6D	ADAPTER -----	4	E		
- 31	AN840-6D	ADAPTER -----	2	C		
-31A	AN844-6D	ELBOW -----	1	C		
- 32	AN917-2D	TEE -----	1	E		
- 33	AN916-2D	ELBOW -----	1	E		
	MS20913-2D	PLUG -----	3	E		
	MS20913-2D	PLUG -----	2	C		
- 34	AN912-2D	BUSHING -----	1			
- 35	AN816-6-6D	NIPPLE -----	1			
- 36	AN825-6D	TEE -----	1	H		
-36A	MS20822-6D	ELBOW -----	1	J		

NOTE. FOR ACCESSORY KIT LISTINGS REFER TO PAGE 364

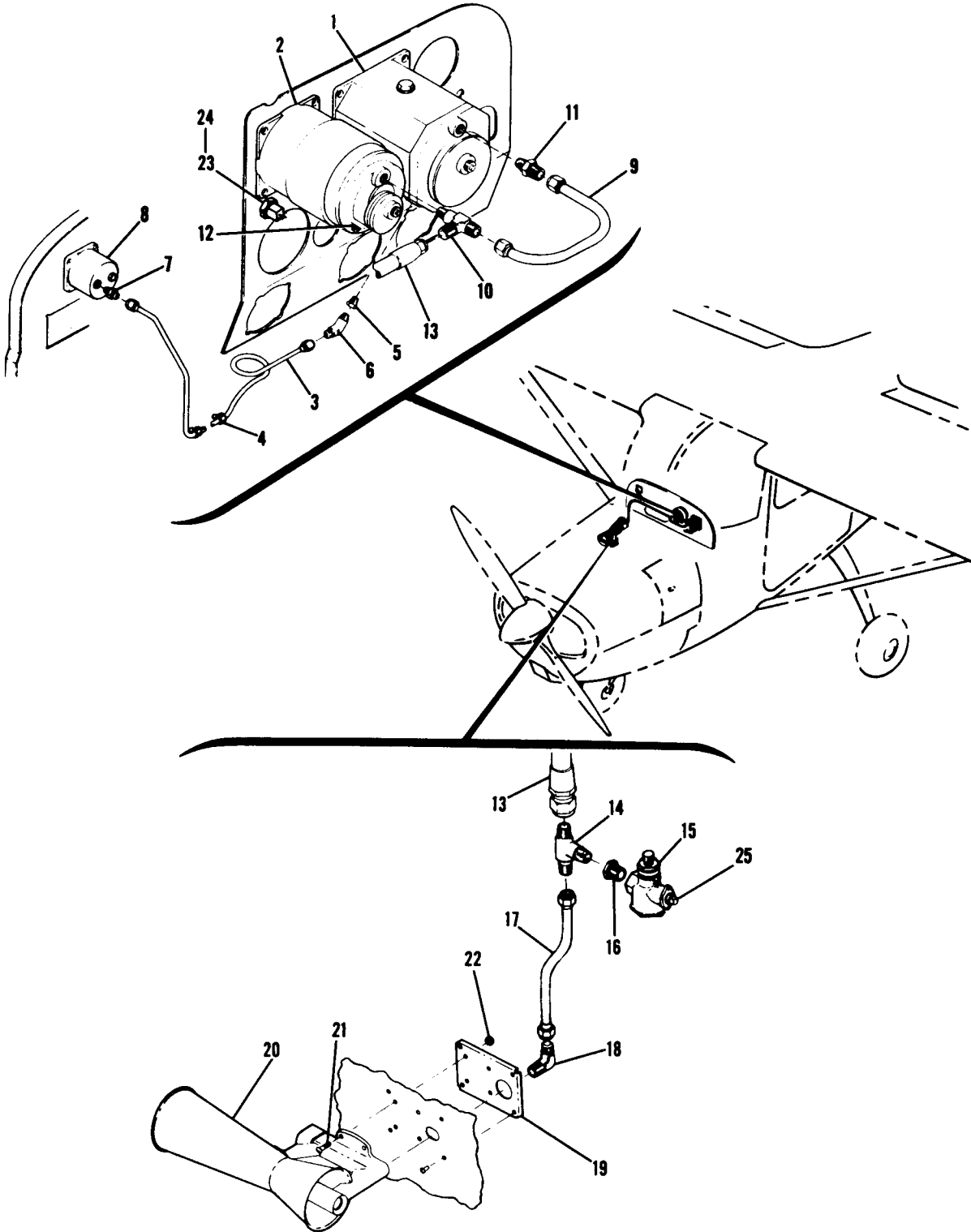
CONTINUED ON PAGE 290

S-PART NOS. APPEARING ON THIS PAGE ARE CESSNA STANDARDS.

FIGURE AND INDEX NO.	PART NUMBER	DESCRIPTION	UNITS	USABLE
			PER ASSY	ON CODE
		1 2 3 4 5 6 7		
82- 37	0813514-11	VALVE ASSEMBLY-SELECTOR----- ATTACHING PARTS	1	F
- 38	AN515-6-16	SCREW ----- -----*	4	F
- 39	0813503-4	KNOB-SELECTOR VALVE -----	1	F
- 40	0813514-6	BRACKET ASSEMBLY-SELECTOR VALVE ----- ATTACHING PARTS	1	F
- 41	AN515-4R6	SCREW -----	4	F
- 42	MS20365-440C	NUT ----- -----*	4	F
- 43	0500307-1	PLATE-SELECTOR VALVE ----- ATTACHING PARTS	1	F
- 44	AN515-6R8	SCREW -----	4	F
- 45	MS20365-632C	NUT ----- -----*	4	F
- 46	0500106-206	LINE ASSEMBLY-DIRECTIONAL GYRO TO VALVE -----	1	F
- 47	0500106-207	LINE ASSEMBLY-SUCTION GAGE TO VALVE -----	1	F
- 48	0500106-208	LINE ASSEMBLY-HORIZON GYRO TO VALVE -----	1	F
- 49	AN912-1D	BUSHING -----	2	F
- 50	MS20822-2D	ELBOW -----	1	F
		A---172 SERIAL 28000 THRU 29174 B---172 SERIAL 29175 THRU 36965 C---172 SERIAL 36966 THRU 47746 D---172 SERIAL 29175 THRU 47746 E---172 SERIAL 28000 THRU 36965 F---172 SERIAL 28000 THRU 36644 G---172 SERIAL 28000 THRU 47746 H---172 SERIAL 28000 THRU 47606 J---172 SERIAL 47607 THRU 47746		
		NOTE. FOR ACCESSORY KIT LISTINGS REFER TO PAGE 364		

This page intentionally left blank.

Vacuum System (Cont)

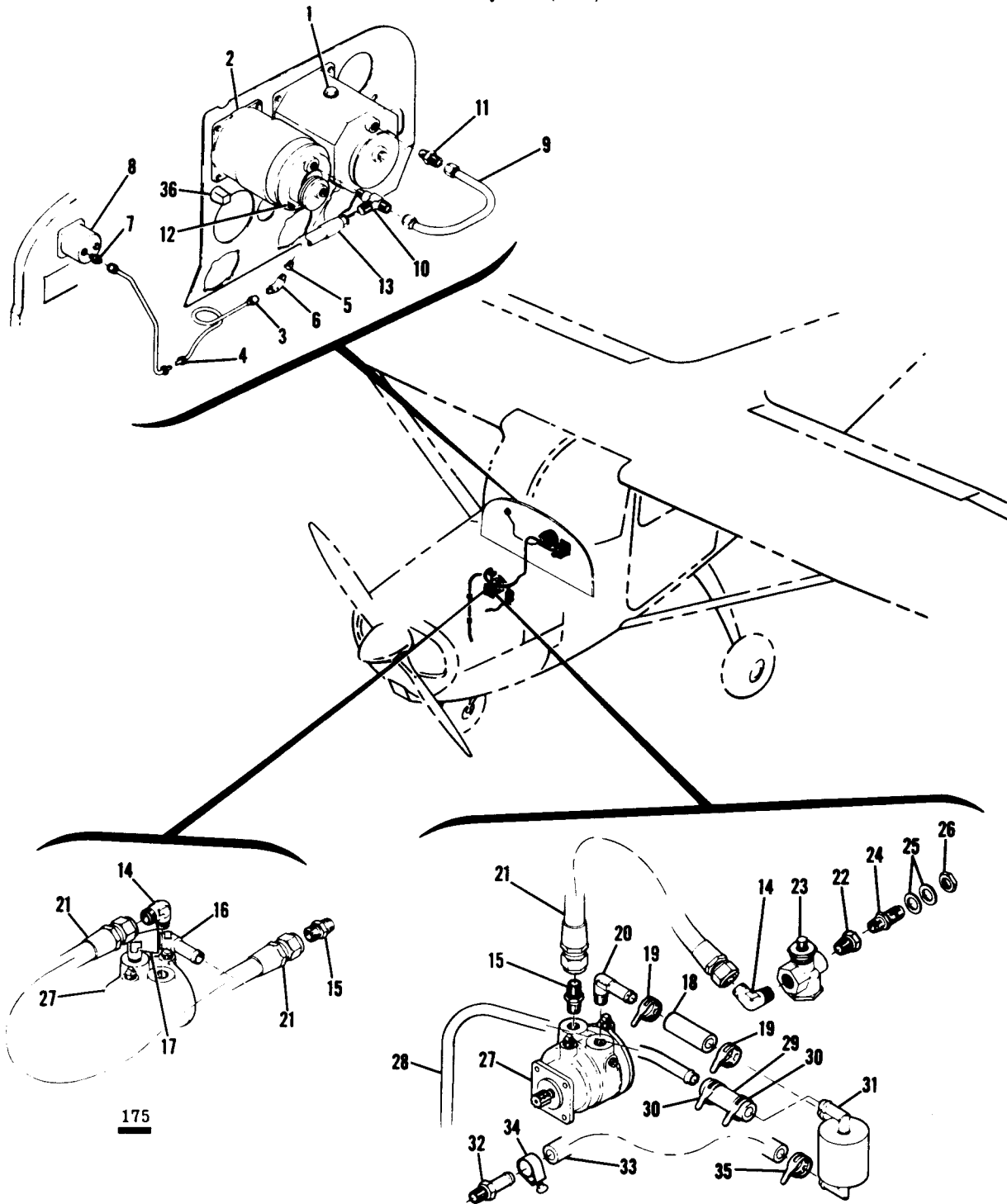


172 SERIAL 17247747 THRU 17249544

Figure 82A. Venturi & Gyros System

FIGURE AND INDEX NO.	PART NUMBER	DESCRIPTION	UNITS PER ASSY							USABLE ON CODE	
			1	2	3	4	5	6	7		
82A-		VENTURI & GYROS SYSTEM INSTALLATION -----								NP	A
- 1	U311056-4	GYRO-DIRECTIONAL-----REMANUFACTURED-----WHEN -----								1	
	S-1316N1	EXHAUSTED USE S-1316N1 -----								1	
	U311056-5	GYRO-DIRECTIONAL-----REMANUFACTURED-----								1	
	S-1327N1	GYRO-DIRECTIONAL-----NEW -----								1	B
		INDICATOR-DIRECTIONAL GYRO-AZIMUTH-TYPE 34B USED WITH								1	
		VACUUM WARNING LIGHT INSTALLATION									
		ATTACHING PARTS									
	AN520B10R14	SCREW -----								AR	
	MS20365B1032C	NUT -----								AR	
		-----*									
- 2	0311058-5	GYRO-HORIZON REMANUFACTURED WHEN-----								1	
	S-1309N1	EXHAUSTED USE S-1309N1 -----								1	
	0311058-4	GYRO-HORIZON REMANUFACTURED -----								1	
	S-1326N1	GYRO-HORIZON NEW -----								1	B
		INDICATOR-GYRO HORIZON-TYPE 34B WITH VACUUM WARNING LIGHTS								1	
		ATTACHING PARTS									
	AN520B10R14	SCREW -----								AR	
	MS20365B1032C	NUT -----								AR	
		-----*									
	330R	BULB-----								1	B
- 3	0500106-247	LINE ASSEMBLY-DIRECTIONAL GYRO TO SUCTION GAGE -----								1	
		ATTACHING PARTS									
- 4	NAS434-D2	CLAMP -----								2	
	S-10212-8-8	SCREW CESSNA STANDARD -----								2	
		-----*									
- 5	AN912-1D	BUSHING -----								1	
- 6	AN823-2D	ELBOW -----								1	
- 7	MS20822-2D	ELBOW -----								1	
- 8	0311057-1	SUCTION GAGE WHEN EXHAUSTED USE S-1300N1 -----								1	
	S-1300N1	SUCTION GAGE REMANUFACTURED -----								1	
		ATTACHING PARTS									
	AN936A6B	WASHER-----								4	
	AN340B6	NUT -----								4	
		-----*									
- 9	0500106-229	LINE ASSEMBLY-DIRECTIONAL GYRO TO GYRO HORIZON -----								1	
- 10	AN826-6D	TEE -----								1	
- 11	AN816-6D	NIPPLE-----								1	
- 12	AN932D3	PLUG -----								3	
- 13	S-1168-6-35	HOSE ASSEMBLY-GYRO HORIZON TO RELIEF VALVE -----								1	C
		CESSNA STANDARD									
	S-1168-6-40 1/2	HOSE ASSEMBLY-GYRO HORIZON TO RELIEF VALVE -----								1	D
- 14	AN825-6D	TEE -----								1	C
- 15	0511059	VALVE-RELIEF WHEN EXHAUSTED USE 0813619-3-----								1	C
	0813619-3	VALVE-RELIEF -----								1	C
- 16	AN912-2D	BUSHING -----								1	C
- 17	0500106-316	LINE ASSEMBLY-RELIEF VALVE TO VENTURI -----								1	C
- 18	MS20822-6D	ELBOW -----								1	
- 19	U511473-1	STIFFENER-VENTURI -----								1	
- 20	0511318-1	SUPER VENTURI -----								1	
		ATTACHING PARTS									
- 21	AN515-10R10	SCREW -----								4	
- 22	MS20365-1032C	NUT -----								4	
		-----*									
- 23	S-1284-1	SWITCH-PUSH BUTTON PRESS TO TEST -----								1	B
- 24	0713705-4	PLACARD-VACUUM LIGHTS-----PRESS TO TEST -----								1	B
- 25	MS20913-3D	PLUG -----								1	C
		-----*									
		A---172 SERIAL 17247747 THRU 17249544									
		B---172 SERIAL 17248735 THRU 17249544									
		C---172 SERIAL 17247747 THRU 17249476									
		D---172 SERIAL 17249477 THRU 17249544									
		NOTE. FOR ACCESSORY KIT LISTINGS REFER TO PAGE 364									
		S-PART NOS. APPEARING ON THIS PAGE ARE CESSNA STANDARDS.									

Vacuum System (Cont)



172 SKYHAWK SERIAL 17247747 THRU 17249476
175 SKYLARK SERIAL 17556778 THRU 17557119

Figure 82B. Vacuum System Installation

FIGURE AND INDEX NO.	PART NUMBER	DESCRIPTION	UNITS PER ASSY	USABLE ON CODE
828-		1 2 3 4 5 6 7		
- 1	0311056-4	VACUUM SYSTEM INSTALLATION-REAR MOUNTED GYRO-DIRECTIONAL-----REMANUFACTURED-----WHEN-----	NP 1	A
	S-1316N1	EXHAUSTED USE S-1316N1	1	
	0311056-5	GYRO-DIRECTIONAL-----REMANUFACTURED-----	1	
	S-1327N1	GYRO-DIRECTIONAL-----NEW-----	1	D
		INDICATOR-DIRECTIONAL GYRO-AZIMUTH-TYPE 34B USED WITH VACUUM WARNING LIGHT INSTALLATION	1	
		ATTACHING PARTS		
	AN520810R14	SCREW-----	AR	
	MS2036581032C	NUT-----	AR	
- 2	0311058-5	GYRO-HORIZON REMANUFACTURED WHEN-----	1	
	S-1309N1	EXHAUSTED USE S-1309N1	1	
	0311058-4	GYRO-HORIZON REMANUFACTURED-----	1	
	S-1326N1	GYRO-HORIZON NEW-----	1	D
		INDICATOR-GYRO HORIZON-TYPE 34B-WITH VACUUM WARNING LIGHTS	1	
		ATTACHING PARTS		
	AN520810R14	SCREW-----	AR	
	MS2036581032C	NUT-----	AR	
	3330R	BULB-----	2	D
- 3	0500106-247	LINE ASSEMBLY-DIRECTIONAL GYRO TO SUCTION GAGE	1	
		ATTACHING PARTS		
- 4	A2981A-2-27	CLAMP TIN-----	2	
	S-1021Z-8-8	SCREW CESSNA STANDARD-----	2	
- 5	AN912-1D	BUSHING-----	1	
- 6	AN823-2D	ELBOW-----	1	
- 7	MS20822-2D	ELBOW-----	1	
- 8	0311057-1	SUCTION GAGE WHEN EXHAUSTED USE S-1300N1-----	1	
	S-1300N1	SUCTION GAGE REMANUFACTURED-----	1	
		ATTACHING PARTS		
	AN936A6B	WASHER-----	4	
	AN340B6	NUT-----	4	
- 9	0500106-229	LINE ASSEMBLY-DIRECTIONAL GYRO TO GYRO HORIZON-----	1	
- 10	AN826-6D	TEE-----	1	
- 11	AN816-6D	NIPPLE-----	1	
- 12	AN932D3	PLUG-----	3	
- 13	S-1168-6-15	HOSE ASSEMBLY-GYRO HORIZON TO FIREWALL NOT USED----- WHEN TACTAIR IS INSTALLED	1	
- 14	MS20822-6-6D	ELBOW-----	1	
	MS20822-6-8D	ELBOW USED WITH TACTAIR ONLY-----	1	C
- 15	AN816-6-6D	NIPPLE-----	1	
	AN816-6-8D	NIPPLE-----USED WITH TACTAIR ONLY-----	1	B
- 16	AN844-8D	ELBOW-----	1	B
- 17	AN914-3D	ELBOW-----	1	B
- 18	S-51-8	HOSE 3.75 IN LG BULK ITEM REF S-51-8-15-----	1	B
	S-51-8	HOSE 2.75 IN LG BULK ITEM REF S-51-8-11-----	1	C
		ATTACHING PARTS		
- 19	A3122-14-1	CLAMP TIN-----	2	
- 20	AN842-8D	ELBOW-----	1	C
- 21	S-1168-6-9 1/2	HOSE CESSNA STANDARD-----	1	
- 22	AN912-4D	BUSHING USED WITH TACTAIR ONLY-----	1	
- 23	0511059	VALVE-RELIEF WHEN EXHAUSTED USE 0813619-3-----	1	
	0813619-3	VALVE-RELIEF-----	1	
	0813619-2	RELIEF VALVE USED WITH TACTAIR ONLY-----	1	

NOTE. FOR ACCESSORY KIT LISTINGS REFER TO PAGE 364

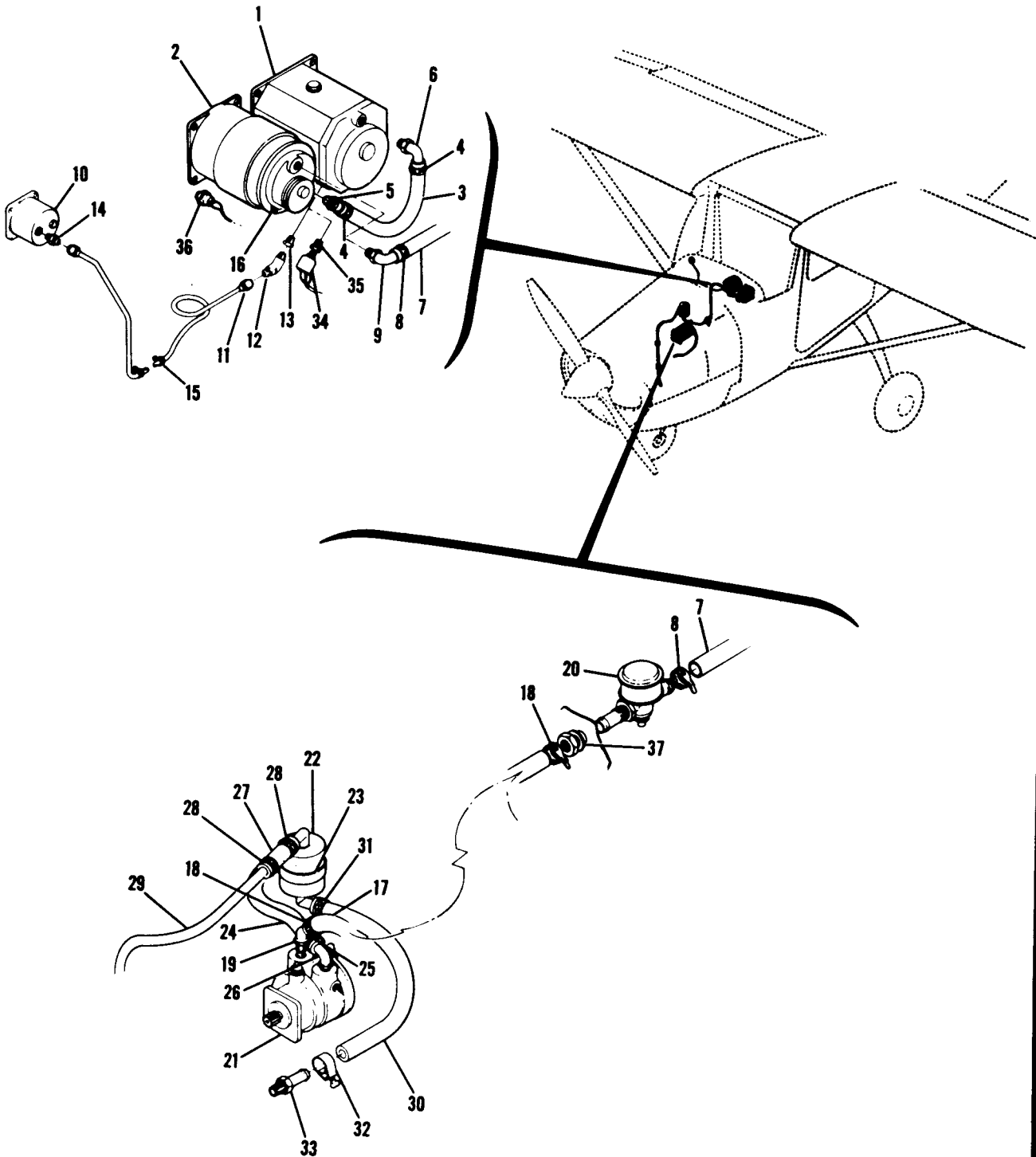
S-PART NOS. APPEARING ON THIS PAGE ARE CESSNA STANDARDS.

CONTINUED ON PAGE 296

FIGURE AND INDEX NO.	PART NUMBER	DESCRIPTION							UNITS PER ASSY	USABLE ON CODE
		1	2	3	4	5	6	7		
82B- 24	0550177-1	FITTING -----							1	
- 25	AN960D916	WASHER-----							2	
- 26	AN924-6D	NUT -----							1	
- 27	0750104-2	VACUUM PUMP-----							1	
- 28	0500106-314	LINE-DRAIN -----							1	C B
	U500106-315	LINE-DRAIN -----							1	
- 29	S-51-8	HOSE	2.50 IN LG	BULK ITEM	REF S-51-8-10	----		1		
		ATTACHING PARTS								
- 30	A3122-14-1	CLAMP	TIN	-----				2		
		-----*								
- 31	0850406-14	OIL SEPARATOR -----							1	
- 32	AN840-8	ADAPTER -----							1	
- 33	S-51-8	HOSE	9.25 IN LG	BULK ITEM	REF S-51-8-37	----		1		
		ATTACHING PARTS								
- 34	AN737RM30	CLAMP -----							1	
- 35	A3122-14-1	CLAMP	TIN	-----				1		
		-----*								
- 36	S-1284-1	SWITCH-PUSH BUTTON PRESS TO TEST -----							1	D D
	0713705-4	PLACARD-VACUUM LIGHTS-----PRESS TO TEST -----							1	
		A---175 SKYLARK SERIAL 17556778 THRU 17557119								
		172 SKYHAWK SERIAL 17247747 THRU 17249476								
		B---175 SKYLARK SERIAL 17556778 THRU 17557119								
		C---172 SKYHAWK SERIAL 17247747 THRU 17249476								
		D---172 SKYHAWK SERIAL 17248735 THRU 17249476								
		175 SKYLARK SERIAL 17557003 THRU 17557119								
		NOTE. FOR ACCESSORY KIT LISTINGS REFER TO PAGE 364								
		S-PART NOS. APPEARING ON THIS PAGE ARE CESSNA STANDARDS.								

This page intentionally left blank

Vacuum System (Cont)



172 SKYHAWK SERIAL 17249477 THRU 17249544

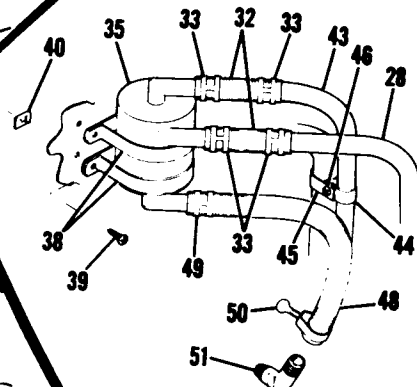
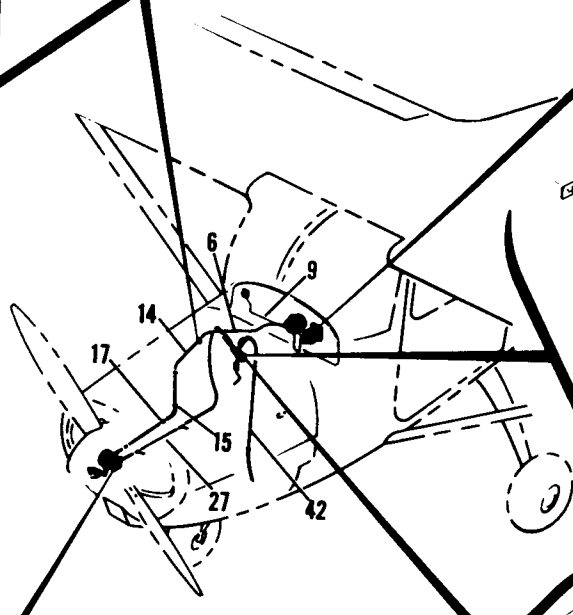
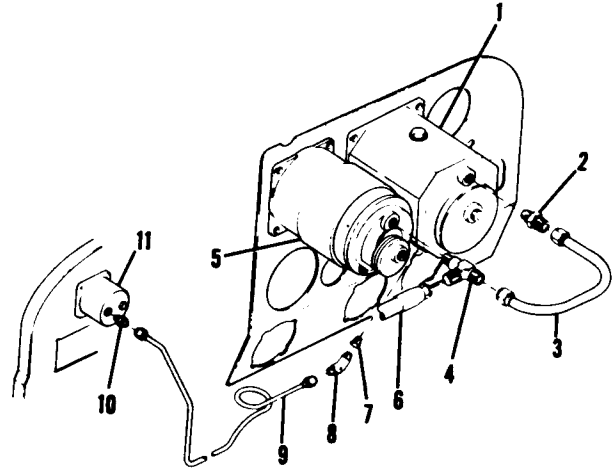
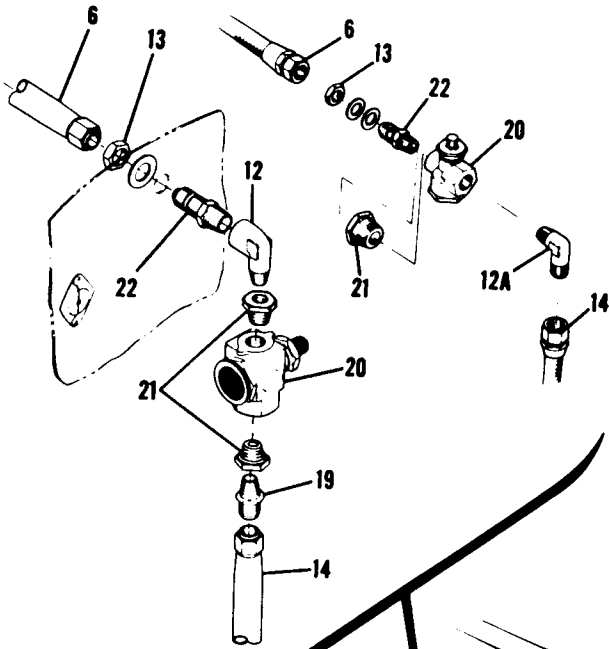
Figure 82C. Engine Driven Vacuum System Installation

FIGURE AND INDEX NO.	PART NUMBER	DESCRIPTION	UNITS PER ASSY	USABLE ON CODE
		1 2 3 4 5 6 7		
82C-		VACUUM SYSTEM INSTALLATION-ENGINE DRIVEN -----	NP	A
- 1	S-1316N1 S-1327N1	GYRO-DIRECTIONAL-----REMANUFACTURED----- INDICATOR-DIRECTIONAL GYRO-AZIMUTH-TYPE 34B ----- USED WITH VACUUM WARNING-LIGHT INSTALLATION	1 1	
- 2	S-1309N1 S-1326N1	GYRO-HORIZON REMANUFACTURED ----- INDICATOR-GYRO HORIZON-TYPE 34B USED WITH----- VACUUM WARNING LIGHTS	1 1	
- 3	S-1431-6-	HOSE 7.50 IN LG BULK ITEM REF S-143-6-7.50 ---- ATTACHING PARTS	1	
- 4	NAS397-10	CLAMP -----	2	
- 5	IK10-4-6	FITTING-STRAIGHT-----AIRB -----	1	
- 6	IK1-4-6	FITTING AIRB-----	1	
- 7	S-1431-8-	HOSE 14.50 IN LG BULK ITEM REF S-1431-8-14.50 ATTACHING PARTS	1	
- 8	NAS397-12	CLAMP -----	2	
- 9	IK1-4-8	FITTING AIRB-----	1	
- 10	S-1300N1	GAGE-SUCTION CESSNA STANDARD ----- ATTACHING PARTS	1	
	AN340B6	NUT -----	4	
	AN936A6B	WASHER-----	4	
- 11	0500106-247	LINE ASSEMBLY-DIRECTIONAL GYRO TO SUCTION GAGE ----- ATTACHING PARTS	1	
- 12	AN823-2D	ELBOW -----	1	
- 13	AN912-1D	BUSHING -----	1	
- 14	MS20822-2D	ELBOW -----	1	
- 15	NAS434-D2 S-10212-8-8	CLAMP ----- SCREW CESSNA STANDARD -----	2 2	
- 16	AN932D3	PLUG -----	2	
- 17	S-1431-10-	HOSE 21.50 IN LG BULK ITEM REF S-1431-10-21.50 ATTACHING PARTS	1	
- 18	NAS397-16	CLAMP -----	2	
- 19	IK9-6-10	FITTING AIRB-----	1	
- 20	133A3	VALVE-RELIEF VALVE AIRB -----	1	
	B3005A1	FILTER-RELIEF VALVE-----AIRB-----	1	
- 21	0750104-2	PUMP-VACUUM-----	1	
- 22	0850406-6	SEPARATOR-OIL ----- ATTACHING PARTS	1	
- 23	AN742D36 AN3-4A AN960PD10L	CLAMP ----- BOLT ----- WASHER-----	1 1 2	
- 24	S-1431-8	HOSE 12.00 IN LG BULK ITEM REF S-1431-8-12.00 ATTACHING PARTS	1	
- 25	NAS397-14	CLAMP -----	2	
- 26	IK1-6-8	FITTING AIRB-----	2	
- 27	S-1431-8-	HOSE 3.50 IN LG BULK ITEM REF S-1431-8-3.50---- ATTACHING PARTS	1	
- 28	NAS397-14	CLAMP -----	2	
- 29	0500106-364	LINE-DRAIN -----	1	
- 30	S-1431-8-	HOSE 15.00 IN LG BULK ITEM REF S-1431-8-15.00 ATTACHING PARTS	1	
- 31	NAS397-14	CLAMP -----	1	
- 32	AN737RM30	CLAMP -----	1	
- 33	AN840-8D	NIPPLE-HOSE-----	1	
- 34	S-1365-1	SWITCH-VACUUM USED WITH VACUUM WARNING LIGHTS ONLY ----	1	
- 35	AN912-1D	BUSHING USED WITH VACUUM WARNING LIGHTS ONLY -----	1	
- 36	S-1284-1	SWITCH-PUSH BUTTON USED WITH VACUUM WARNING LIGHTS ONLY	1	
- 37	AN960-1416L	WASHER-----	1	
A---172 SKYHAWK SERIAL 17249477 THRU 17249544				

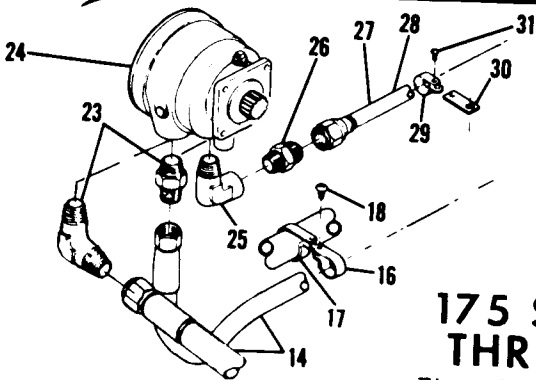
This page intentionally left blank

FIGURE AND INDEX NO.	PART NUMBER	DESCRIPTION	UNITS PER ASSY	USABLE ON CODE
		1 2 3 4 5 6 7		
83-		VACUUM SYSTEM INSTALLATION-ENGINE DRIVEN	1	A
- 1	0311056-4	GYRO-DIRECTIONAL-----REMANUFACTURED-----WHEN-----	1	
		EXHAUSTED USE S-1316M1		
	S-1316M1	GYRO-DIRECTIONAL-----REMANUFACTURED-----	1	
	0311056-5	GYRO-DIRECTIONAL-----NEW-----	1	
- 2	AN816-6D	NIPPLE-----	1	
- 3	0500106-229	LINE ASSEMBLY-DIRECTIONAL GYRO TO HORIZONTAL GYRO	1	
- 4	AN826-6D	TEE-----	1	
- 5	0311058-4	GYRO-HORIZONTAL NEW	1	
	0311058-5	GYRO-HORIZON REMANUFACTURED WHEN-----	1	
		EXHAUSTED USE S-1309N1		
	S-1309N1	GYRO-HORIZON REMANUFACTURED	1	
- 6	S-1167-6-360	HOSE ASSEMBLY-HORIZONTAL GYRO TO FIREWALL	1	H
	S-1168-6-15	HOSE ASSEMBLY-HORIZONTAL GYRO TO FIREWALL	1	J
- 7	AN912-1D	BUSHING	1	
- 8	AN823-2D	ELBOW	1	
- 9	0500106-247	LINE ASSEMBLY-SUCTION GAGE TO DIRECTIONAL GYRO	1	
- 10	AN816-2D	NIPPLE	1	
- 11	0311057-1	SUCTION GAGE WHEN EXHAUSTED USE S-1300N1	1	
	S-1300N1	SUCTION GAGE REMANUFACTURED	1	
- 12	AN914-3D	ELBOW	1	H
-12A	MS20822-6-6D	ELBOW	1	J
	MS20822-6-8D	ELBOW USED WITH TACTAIR ONLY	1	J
		ATTACHING PARTS		
- 13	AN924-6D	NUT	1	
	AN960D916	WASHER-----	1	
		-----*		
<p>NOTE. FOR ACCESSORY KIT LISTINGS REFER TO PAGE 364</p> <p>CONTINUED ON PAGES 298 & 299</p> <p>S-PART NOS. APPEARING ON THIS PAGE ARE CESSNA STANDARDS.</p>				

Vacuum System (Cont)

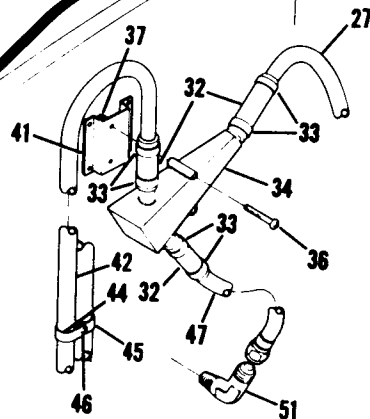


SERIAL 56239 & ON



175 SERIAL 55001 THRU 175 57002

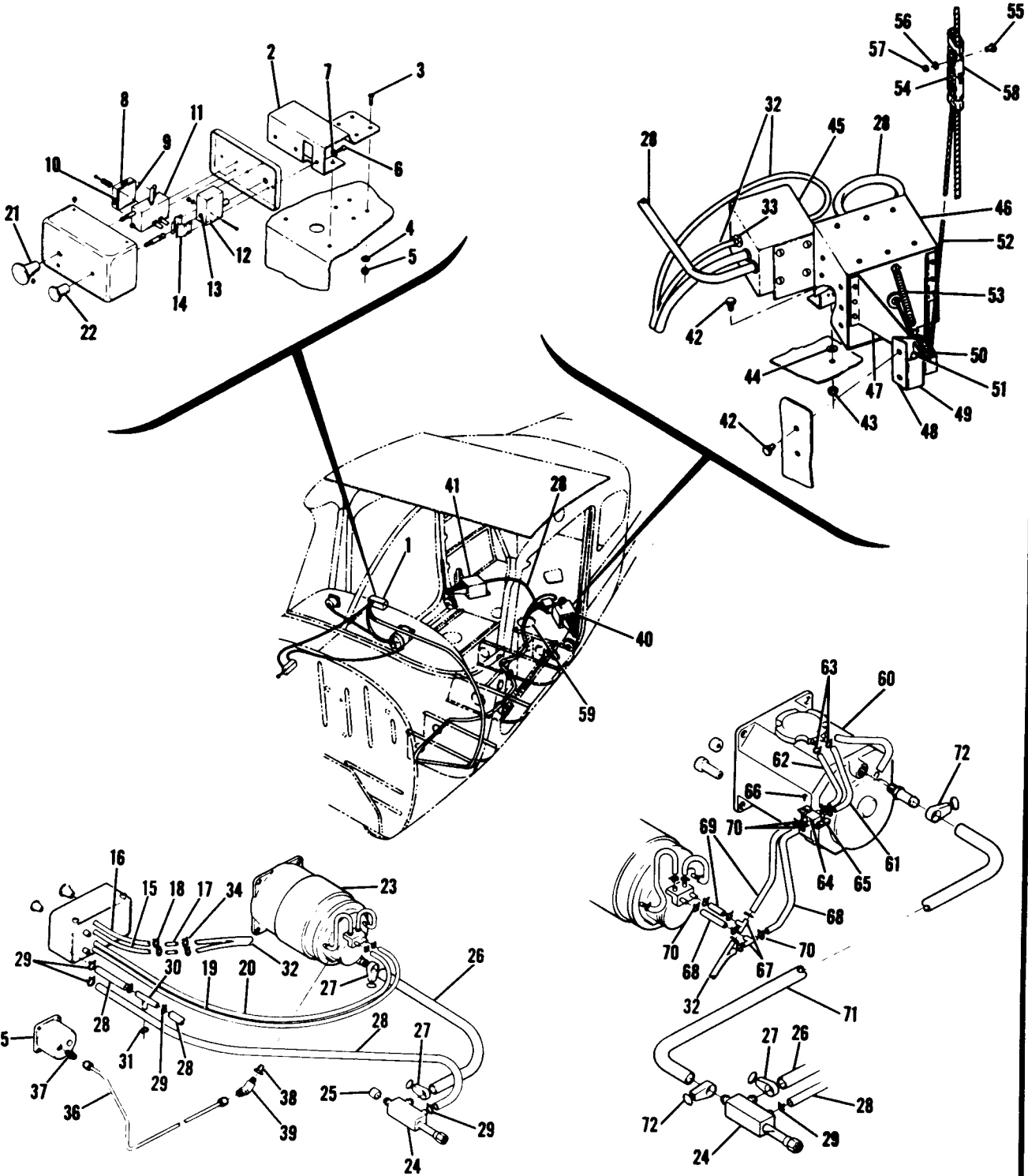
Figure 83. Vacuum System Installation



SERIAL 55001 THRU 56238

FIGURE AND INDEX NO.	PART NUMBER	DESCRIPTION	UNITS PER ASSY	USABLE ON CODE
		1 2 3 4 5 6 7		
83- 14	S-1167-6-0550	HOSE ASSEMBLY-FIREWALL TO VACUUM PUMP -----	1	G
	S-1167-6-0494	HOSE ASSEMBLY-FIREWALL TO VACUUM PUMP -----	1	F
		ATTACHING PARTS		
- 15	AN742D11	CLAMP -----	2	
- 16	A3047A-11-92	CLAMP TIN -----	4	
- 17	A2980A-16-27	CLAMP TIN -----	2	H
- 18	S-1021Z-10-8	SCREW CESSNA STANDARD -----	4	
	0550100-9	BRACKET -----	2	J
		-----*		
- 19	AN816-6-6D	NIPPLE -----	1	
- 20	U511059	VALVE-RELIEF WHEN EXHAUSTED USE 0813619-3-----	1	
	0813619-3	VALVE-RELIEF -----	1	
	0813619-2	VALVE-RELIEF USED WITH TACTAIR ONLY -----	1	
- 21	AN912-4D	BUSHING USE WITH TACTAIR ONLY -----	2	H
	AN912-4D	BUSHING USE WITH TACTAIR ONLY -----	1	J
- 22	0550177-1	FITTING-BULKHEAD -----	1	
- 23	AN816-6-6D	NIPPLE -----	1	D
	MS20822-6-6D	ELBOW -----	1	E
- 24	0750104-2	VACUUM PUMP -----	1	
- 25	AN914-3D	ELBOW -----	1	H
	MS20822-8D	ELBOW -----	1	J
- 26	AN816-8D	NIPPLE -----	1	H
- 27	0500106-232	LINE ASSEMBLY-VACUUM PUMP TO SEPARATOR -----	1	G
- 28	0500106-297	LINE ASSEMBLY-VACUUM PUMP TO SEPARATOR -----	1	F
		ATTACHING PARTS		
- 29	A3048A-8-27	CLAMP TIN -----	2	H
	A3047A-11-92	CLAMP TIN -----	2	J
- 30	0550100-8	BRACKET -----	2	H
	0550100-9	BRACKET -----	2	J
- 31	S-1021Z-8-6	SCREW CESSNA STANDARDS-----	2	
		-----*		
- 32	S-51-8	HOSE 2 1/2 IN LG BULK ITEM REF S-51-8-10 -----	3	G
	S-51-8	HOSE 2 1/2 IN LG BULK ITEM REF S-51-8-10 -----	2	F
		ATTACHING PARTS		
- 33	A3122-14-1	CLAMP TIN -----	2	
		-----*		
- 34	0750103-1	SEPARATOR -----	1	G
- 35	0850406-14	SEPARATOR -----	1	F
		ATTACHING PARTS		
- 36	AN520-10R6	SCREW -----	2	G
- 37	MS20365-1032C	NUT -----	2	B
- 38	AN742D36	CLAMP -----	2	F
- 39	S-1021Z-8-8	SCREW CESSNA STANDARD -----	2	F
- 40	NAS446-4-3	NUT -----	2	F
		-----*		
- 41	0550169-1	BRACKET -----	1	B
	0550203-1	BRACKET ASSEMBLY -----	1	C
	NAS680A3	NUTPLATE -----	1	C
- 42	0500106-230	TUBE-SEPARATOR VENT -----	1	G
- 43	0500106-296	TUBE-SEPARATOR VENT -----	1	F
		ATTACHING PARTS		
- 44	A2982A-8-27	CLAMP TIN -----	1	
- 45	AN742D12	CLAMP -----	1	
- 46	S-1021Z-8-8	SCREW CESSNA STANDARD -----	1	
		-----*		
- 47	0500106-233	LINE ASSEMBLY-SEPARATOR TO ENGINE -----	1	G
- 48	S-51-8	HOSE 15 IN LG BULK ITEM REF S-51-8-60 -----	1	F
		ATTACHING PARTS		
- 49	A3122-14-1	CLAMP TIN -----	1	
- 50	AN737RM30	CLAMP -----	1	F
- 51	AN844-8	ELBOW -----	1	
		-----*		
<p>A---175 SERIAL 55001 THRU 17557002</p> <p>B---175 SERIAL 55001 THRU 55723</p> <p>C---175 SERIAL 55724 THRU 56238</p> <p>D---175 SERIAL 55001 THRU 55752</p> <p>E---175 SERIAL 55753 THRU 17557119</p> <p>F---175 SERIAL 56239 THRU 17557119</p> <p>G---175 SERIAL 55001 THRU 56238</p> <p>H---175 SERIAL 55001 THRU 56777</p> <p>J---175 SERIAL 17556778 THRU 17557119</p>				
NOTE. FOR ACCESSORY KIT LISTINGS REFER TO PAGE 364				
S-PART NOS. APPEARING ON THIS PAGE ARE CESSNA STANDARDS.				

Autopilot



172 SERIAL 17247747 THRU 17248483
175 SERIAL 55001 THRU 17556987

Figure 83A. Autopilot Installation - Tactair T-1 & T-2

FIGURE AND INDEX NO.	PART NUMBER	DESCRIPTION	UNITS PER ASSY	USABLE ON CODE
		1 2 3 4 5 6 7		
83A-		AUTO PILOT INSTALLATION-TACTAIR T-2 ----- AUTO PILOT INSTALLATION-TACTAIR T-1 -----	NP NP	A
- 1	0770012-5	CONTROL UNIT ASSEMBLY ----- ATTACHING PARTS -----	1	
- 2	0513194-1	BRACKET -----	1	
- 3	AN515-8-10	SCREW -----	6	
- 4	AN960-8L	WASHER -----	6	
- 5	MS20365-832C	NUT -----	6	
- 6	AN500C4-7	SCREW -----	3	
- 7	AN960-4L	WASHER -----	3	
- 8	A-1106	FILTER TCTA -----	1	
- 9	A-1108	DISK-PAPER TCTA -----	1	
- 10	A-1105	GASKET TCTA -----	1	
- 11	C-915	ROLL TRIM ASSEMBLY TCTA -----	1	
- 12	C-914	BODY ASSEMBLY TCTA -----	1	
- 13	AN6227B1	O RING -----	1	
- 14	A-911	SPRING TCTA -----	2	
- 15	B-296-7	HOSE .09 ID BLUE 6.75 IN LG TCTA -----	1	
- 16	B-296-8	HOSE .09 ID YELLOW 6.1875 IN LG TCTA -----	1	
- 17	A-1213	CONNECTOR-HOSE TCTA -----	2	
- 18	A-482	CLAMP TCTA -----	2	
- 19	B-296-17	HOSE .09 ID YELLOW 18 IN LG TCTA -----	1	
- 20	B-296-18	HOSE .09 ID BLUE 18 IN LG TCTA -----	1	
- 21	S-1240-6	KNOB-----CESSNA STANDARD-----	1	
- 22	0713303-9	KNOB-----	1	
- 23	0770012-6	GYRO HORIZON ----- ATTACHING PARTS -----	1	
	AN520C10R16	SCREW -----	4	
- 24	0770012-8	RESTRICTOR TEE ASSEMBLY -----	1	
	M74CR524-12E	SET SCREW -----	1	
- 25	0770012-24	CAP -----	1	
- 26	A-979	HOSE----- .38 ID BULK ITEM 3 FT LG TCTA -----	AR	
- 27	AN737RM22	CLAMP -----	2	
- 28	A-978	HOSE----- .25 ID BULK ITEM 17 FT LG TCTA -----	AR	
- 29	C56	CLAMP CRB -----	10	
- 30	0770012-43	TEST TEE -----	1	
- 31	0770012-42	CAP-TEST TEE -----	1	
- 32	0770012-33	HOSE----- .09 ID 2 CAVITY HOSE-----BLUE & YELLOW ----- BULK ITEM 16 FT LG TCTA -----	AR	
- 33	0770012-13	ATTACHING PARTS ----- CLAMP -----	2	
- 34	A-482	CLAMP TCTA -----	2	
- 35	0311057-1	SUCTION GAGE WHEN EXHAUSTED USE S-1300N1 -----	1	
	S-1300N1	SUCTION GAGE REMANUFACTURED CESSNA STANDARD -----	1	
	AN936A6B	ATTACHING PARTS ----- WASHER -----	4	
	AN340B6	NUT -----	4	
- 36	0500106-247	LINE ASSEMBLY-GYRO TO SUCTION GAGE ----- ATTACHING PARTS -----	1	
- 37	AN816-2D	NIPPLE -----	1	
- 38	AN912-1D	BUSHING -----	1	
- 39	AN823-2D	ELBOW -----	1	
- 40	0770012-19	AMPLIFIER & SERVO ASSEMBLY LH -----	1	
- 41	0770012-20	SERVO ASSEMBLY RH ----- ATTACHING PARTS -----	1	
- 42	AN3-4A	BOLT -----	4	
- 43	MS20365-1032C	NUT -----	2	
- 44	AN960-10L	WASHER -----	2	

NOTE. FOR ACCESSORY KIT LISTINGS REFER TO PAGE 364

CONTINUED ON PAGE 302

FIGURE AND INDEX NO.	PART NUMBER	DESCRIPTION							UNITS PER ASSY	USABLE ON CODE
		1	2	3	4	5	6	7		
83A- 45	C-1132	AMPLIFIER	LH ONLY	----	TCTA	----			1	
	A-998	FILTER			TCTA	----			1	
	A-400	DISC-PAPER	----	TCTA	----				1	
	A-289	SCREEN-MONEL			TCTA	----			1	
	A-1075	GROMMET			TCTA	----			1	
- 46	C-622	SERVO-LH			TCTA	----			1	
	C-621	SERVO-RH			TCTA	----			1	
- 47	A-928	GUIDE ASSEMBLY			TCTA	----			1	
- 48	B-766-1	SUPPORT-LH	----	TCTA	----				1	
	B-766-2	SUPPORT-RH	----	TCTA	----				1	
- 49	B-903-1	SUPPORT-LH	----	TCTA	----				1	
	B-903-2	SUPPORT-RH	----	TCTA	----				1	
- 50	MS20219-2	PULLEY							1	
		ATTACHING PARTS								
- 51	AN4-11A	BOLT							1	

- 52	B-674-5	CABLE ASSEMBLY			TCTA	----			1	
- 5	A-628	SPRING-TAKE UP			TCTA	----			1	
		ATTACHING PARTS								
	A-427	CLAMP-SPRING			TCTA	----			1	
	AN500A4-4	SCREW							1	
	AN960-4L	WASHER							1	
	MS20365-440C	NUT							1	

- 54	0770012-15	CLAMP-CABLE							2	
		ATTACHING PARTS								
- 55	AN3-4A	BOLT							4	
- 56	AN960-10L	WASHER							4	
- 57	MS20365-1032C	NUT							4	

- 58	0770012-18	COVER-CABLE CLAMP							2	
- 59	0770011-16	COVER PLATE							1	
	MS35489-17	GROMMET							1	
- 60	0770012-7	DIRECTIONAL GYRO							1	
		ATTACHING PARTS								
	AN520C10R16	SCREW							4	

- 61	B-296-13	HOSE	----	.091D	----	PINK	----	32 IN LG	TCTA	----
- 62	B-296-14	HOSE	----	.091D	----	BROWN	----	32 IN LG	TCTA	----
- 63	0770012-13	CLAMP							2	
- 64	0770012-9	SENSITIVITY ADJUSTER ASSEMBLY							1	
		ATTACHING PARTS								
- 65	0770012-39	CLAMP							1	
- 66	S-1021Z-6-8	SCREW			CESSNA STANDARD				2	
	NAS395-5-3	NUT							2	

	A-953	SCREW-ADJUSTMENT							1	
- 67	0770012-17	TEE							2	
- 68	B-296-5	HOSE		.09 ID		BLUE		4 IN LG	TCTA	----
- 69	B-296-4	HOSE		.09 ID		YELLOW		4 IN LG	TCTA	----
- 70	0770012-13	CLAMP							AR	
- 71	A-979	HOSE		.38 ID		BULK ITEM		3 FT LG	TCTA	----
- 72	AN737RM22	CLAMP							AR	
									2	

A---172 SERIAL 17247747 THRU 17248483
175 SERIAL 55001 THRU 17556987

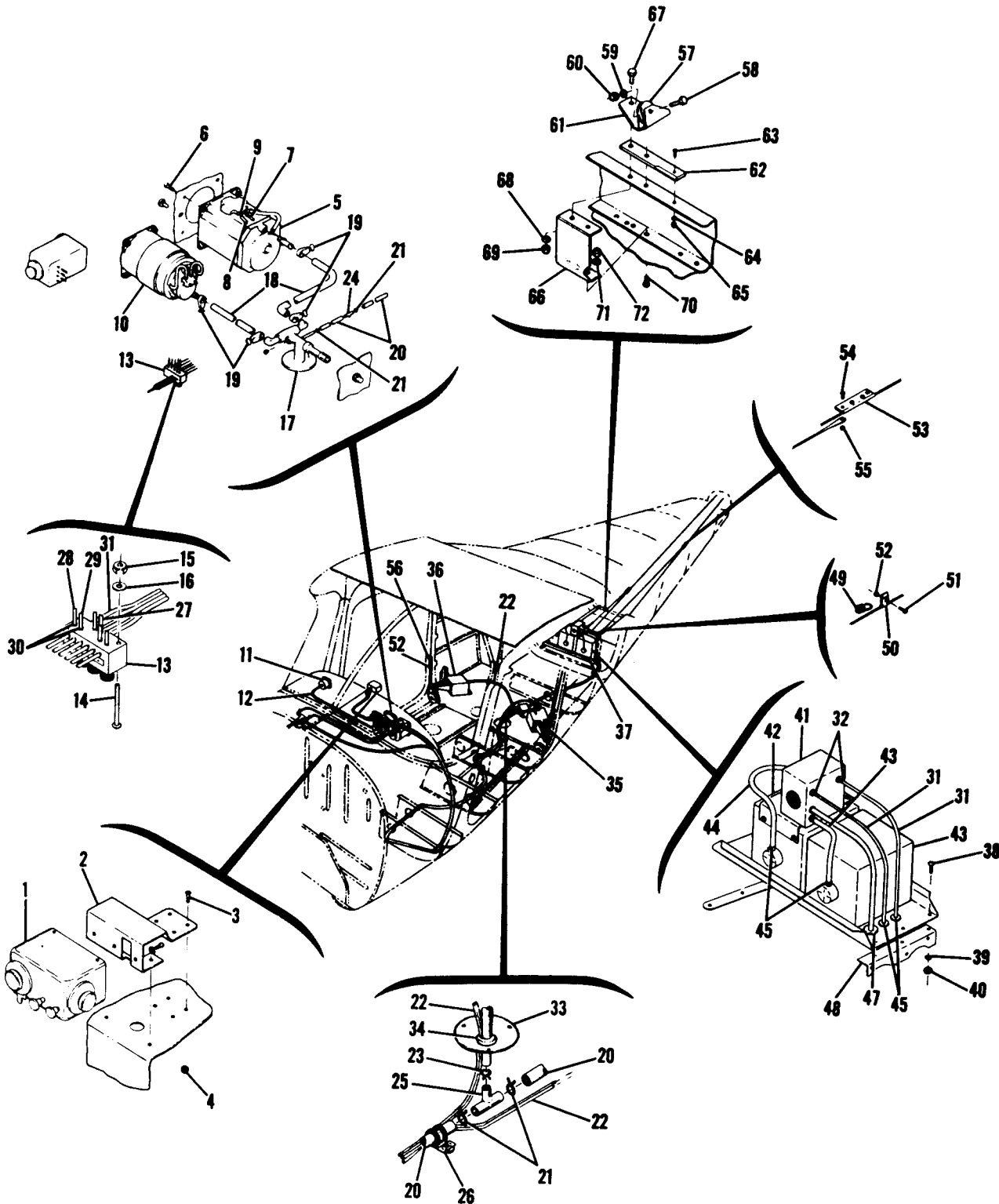
NOTE. FOR ACCESSORY KIT LISTINGS REFER TO PAGE 364

FIGURE AND INDEX NO.	PART NUMBER	DESCRIPTION	UNITS PER ASSY	USABLE ON CODE
		1 2 3 4 5 6 7		
838-		AUTOPILOT INSTALLATION-TACTAIR T-3		
- 1	0770011-19	COMMAND CONTROL ASSEMBLY	NP 1	A
- 2	0770011-25	ATTACHING PARTS		
	0513194-1	SUPPORT BRACKET	1	B
- 3	AN515-8-10	MOUNTING BASE	1	C
- 4	MS20365-832C	SCREW	6	
		NUT	6	
- 5	0770012-7	DIRECTIONAL GYRO	1	
- 6	AM520C10R16	ATTACHING PARTS		
		SCREW	4	
- 7	B-296-59	HOSE .09 ID BROWN 24 IN LG	1	
- 8	B-296-58	HOSE .09 ID PINK 24 IN LG	1	
- 9	0770012-13	CLAMP	2	
- 10	0770011-24	GYRO HORIZON	1	
		ATTACHING PARTS		
	AM520C10R16	SCREW	4	
	B-296-61	HOSE .09 ID GREEN 24 IN LG	1	
	0770012-13	CLAMP	1	
- 11	0311057-1	SUCTION GAGE WHEN EXHAUSTED USE S-1300N1	1	
	S-1300N1	SUCTION GAGE REMANUFACTURED CESSNA STANDARD	1	
		ATTACHING PARTS		
	AN936A6B	WASHER	4	
	AN340B6	NUT	4	
- 12	0500106-247	LINE ASSEMBLY-GYRO TO SUCTION GAGE	1	
		ATTACHING PARTS		
	AN816-2D	NIPPLE	1	
	AN912-1D	BUSHING	1	
	AN823-2D	ELBOW	1	
- 13	0770011-37	TEE BLOCK	1	
		ATTACHING PARTS		
- 14	AN515-6R22	SCREW	1	
- 15	MS20365-632C	NUT	1	
- 16	AN960-6L	WASHER	1	
- 17	1200077-2	VALVE ASSEMBLY-SHUT OFF	1	
- 18	MIL-H-5593-6	HOSE-GYRO TO SHUT OFF VALVE 16 IN LG	2	
		ATTACHING PARTS		
- 19	AN737RM22	CLAMP	2	
- 20	A-979	HOSE .38 ID BULK ITEM 15 FT LG	AR	
- 21	CS8	CLAMP CRB	6	
- 22	A-978	HOSE-SERVO TCTA	AR	
- 23	CS6	CLAMP CRB	4	
- 24	0770011-30	TEST FITTING	1	
- 25	0770011-29	TEE FITTING	1	
- 26	MS21919DG18	CLAMP	1	
		ATTACHING PARTS		
	S-10212-8-10	SCREW CESSNA STANDARD	1	
	NAS446-4-3	NUT	1	
- 27	B-296-60	HOSE-GYRO HORIZON TO TEE BLOCK-RED	1	
- 28	B-296-56	HOSE-GYRO HORIZON TO TEE BLOCK-BLUE	1	
- 29	B-296-57	HOSE-GYRO HORIZON TO TEE BLOCK-YELLOW	1	
		ATTACHING PARTS		
- 30	0770012-13	CLAMP	2	
- 31	0770011-38	HOSE .09 ID 4 CAVITY HOSE BLUE, YELLOW, GREEN	AR	
		RED BULK ITEM 17 FT LG		
		ATTACHING PARTS		
- 32	0770012-13	CLAMP	8	

NOTE. FOR ACCESSORY KIT LISTINGS REFER TO PAGE 364

CONTINUED ON PAGES 304 & 305

Autopilot (Cont)



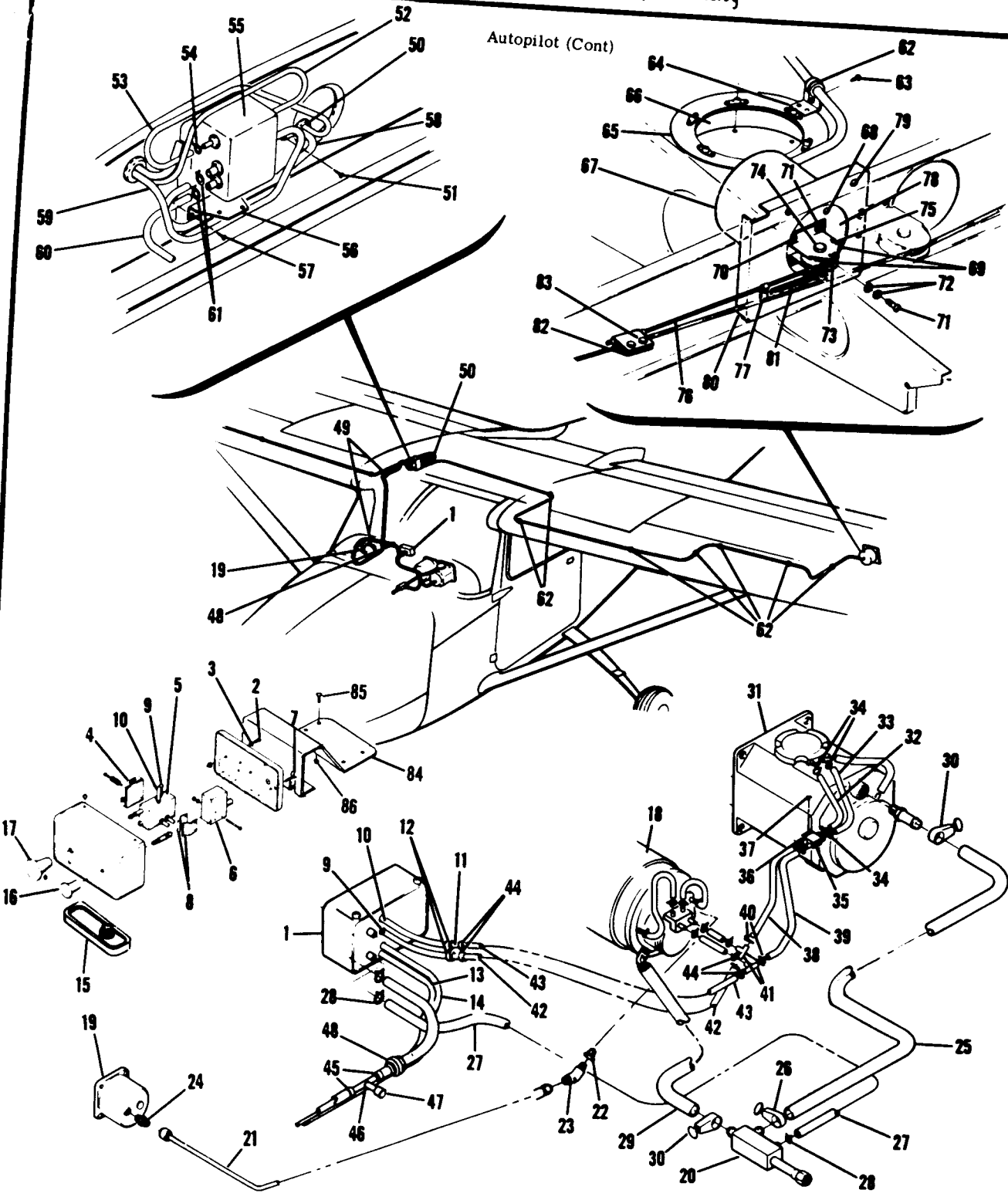
172 SERIAL 17247747 THRU 17248821
175 SERIAL 55001 THRU 17556689

Figure 83B. Autopilot Installation - Tactair T-3

FIGURE AND INDEX NO.	PART NUMBER	DESCRIPTION	UNITS PER ASSY	USABLE ON CODE
		1 2 3 4 5 6 7		
83B- 33	0770011-16	COVER PLATE ASSEMBLY -----	1	
- 34	MS35489-17	GROMMET -----	1	
- 35	0770012-19	SERVO & AMPLIFIER ASSEMBLY-AILERON LH SEE FIGURE 83A	1	
- 36	0770012-20	SERVO ASSEMBLY-AILERON RH -----SEE FIGURE 83A -----	1	
		ATTACHING PARTS		
	AN3-4A	BOLT -----	4	
	AN960-10L	WASHER -----	AR	
	MS20365-1032C	NUT -----	4	
- 37	0770011-22	SERVO & AMPLIFIER ASSEMBLY-ELEVATOR-----	1	
		ATTACHING PARTS		
- 38	AN3-4A	BOLT -----	5	
- 39	AN960-10L	WASHER -----	5	
- 40	MS20365-1032C	NUT -----	5	
- 41	C-1132	AMPLIFIER-----TCTA -----	1	
- 42	C-630	SERVO-RH TCTA -----	1	
- 43	C-631	SERVO-LH TCTA -----	1	
	B-674-4	CABLE-SERVO RH TCTA -----	1	
	B-674-1	CABLE-SERVO LH TCTA -----	1	
- 44	A-978	HOSE----- .25 ID BULK ITEM 10 IN LG TCTA -----	2	
		ATTACHING PARTS		
- 45	CS6	CLAMP CRB -----	2	
- 46	MS35489-6	GROMMET -----	2	
- 47	MS35489-11	GROMMET -----	1	
- 48	0770011-32	SUPPORT -----	1	
- 49	0770011-31	TAKE-UP SPRING -----	2	
		ATTACHING PARTS		
- 50	0770011-33	CLAMP -----	1	
- 51	AN500-4-4	SCREW -----	1	
- 52	MS20365-440C	NUT -----	1	
- 53	0770012-15	CLAMP-CABLE -----	4	
		ATTACHING PARTS		
- 54	AN3-3A	BOLT -----	4	
- 55	MS20365-1032C	NUT -----	4	
- 56	0770012-18	COVER-CABLE CLAMP -----	2	
- 57	AN210-1B	PULLEY-----	1	
		ATTACHING PARTS		
- 58	AN3-6A	BOLT -----	1	
- 59	AN960-10L	WASHER -----	1	
- 60	MS20365-1032C	NUT -----	1	
- 61	0770011-35	BRACKET -----	1	
- 62	0770011-36	RUB STRIP -----	1	
		ATTACHING PARTS		
- 63	AN515-4R6	SCREW -----	1	
- 64	AN960-4L	WASHER -----	1	
- 65	MS20365-440C	NUT -----	1	
- 66	0770011-34	CHANNEL -----	1	
		ATTACHING PARTS		
- 67	AN3-6A	BOLT -----	2	
- 68	AN960-10L	WASHER -----	2	
- 69	MS20365-1032C	NUT -----	2	
- 70	AN520C8R8	SCREW -----	2	
- 71	AN960-8	WASHER -----	2	
- 72	MS20365-832C	NUT -----	2	

		A---172 SERIAL 17247747 THRU 17248821 175 SERIAL 55001 THRU 17556689 B---175 SERIAL 55001 THRU 17556777 C---172 SERIAL 17247747 THRU 17248821 175 SERIAL 17556778 THRU 17556689		
		NOTE. FOR ACCESSORY KIT LISTINGS REFER TO PAGE 364		

Autopilot (Cont)



172 SERIAL 17248484 THRU 17248734
175 SERIAL 17556988 THRU 17557002

Figure 83C . Tactair T-2 Autopilot Installation

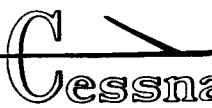


FIGURE AND INDEX NO.	PART NUMBER	DESCRIPTION	UNITS PER ASSY	USABLE ON CODE
		1 2 3 4 5 6 7		
83C-		AUTO PILOT INSTALLATION-TACTAIR T-2	NP	A
- 1	0770012-5	UNIT ASSEMBLY-CONTROL	1	
		ATTACHING PARTS		
- 2	AN500C6-7	SCREW	3	
- 3	AN960-6L	WASHER	3	
		172 SERIAL		
- 4	A-1106	FILTER TCTA	1	
	A-1108	DISC-PAPER TCTA	1	
	A-1105	GASKET TCTA	1	
- 5	C-915	TRIM ASSEMBLY-ROLL TCTA	1	
		ATTACHING PARTS		
	AN507-440-5	SCREW	2	
		175 SERIAL		
- 6	C-914	BODY ASSEMBLY TCTA	1	
		ATTACHING PARTS		
- 7	AN507-440-5	SCREW	2	
		17556988 THRU		
		17557002		
	AN6227B1	O RING	1	
- 8	A-911	SPRING TCTA	2	
- 9	B-296-7	HOSE .09 ID BLUE 6.76 IN. LG. TCTA	1	
- 10	B-296-8	HOSE .09 ID YELLOW 6.1875 IN. LG. TCTA	1	
- 11	A-1213	CONNECTOR-HOSE TCTA	2	
- 12	A-482	CLAMP TCTA	2	
- 13	B-296-17	HOSE .09 ID YELLOW 18 IN. LG. TCTA	1	
- 14	B-296-18	HOSE .09 ID BLUE 18 IN. LG. TCTA	1	
- 15	B-1610	FILTER TCTA	1	
- 16	0713303-9	KNOB	1	
- 17	0713303-11	KNOB ASSEMBLY	1	
- 18	0770012-6	GYRO-HORIZONTAL	1	
		ATTACHING PARTS		
	AN526C1032R16	SCREW	4	
- 19	0311057-2	GAGE-SUCTION	1	
		ATTACHING PARTS		
	AN5078G32R12	SCREW	4	
- 20	0770012-8	TEE ASSEMBLY-RESTRICTOR	1	
	M74CR524-12E	SET SCREW-FLM	1	
- 21	0500106-247	LINE ASSEMBLY-HORIZONTAL GYRO TO SUCTION GAGE	1	
		ATTACHING PARTS		
- 22	AN912-1D	BUSHING	1	
- 23	MS20822-2D	ELBOW	1	
- 24	AN816-2D	NIPPLE	1	
- 25	1200078-7	HOSE	1	
- 26	AN737RM22	CLAMP	2	
- 27	A-978	TUBE-RESTRICTOR TEE TO CONTROL UNIT-32 IN. LG.	AR	
		BULK ITEM TCTA REF 1200078-13		
		ATTACHING PARTS		
- 28	CS6	CLAMP CRB	2	
- 29	1200078-2	HOSE	1	
- 30	AN737RM22	CLAMP	2	
- 31	1200077-39	GYRO-DIRECTIONAL	1	
		ATTACHING PARTS		
	AN526C1032R16	SCREW	8	
- 32	B-296-58	HOSE .09 ID PINK 24 IN. LG. TCTA	1	
- 33	B-296-59	HOSE .09 ID BROWN 24 IN. LG. TCTA	1	
		ATTACHING PARTS		
- 34	0770012-13	CLAMP	4	
- 35	0770012-9	ADJUSTER ASSEMBLY-SENSITIVITY	1	
		ATTACHING PARTS		
- 36	0770012-39	CLAMP	1	
- 37	S-1022Z-6-8	SCREW CESSNA STANDARD	2	
	NAS395-5-3	NUT	2	
- 38	B-296-5	HOSE .09 ID BLUE 4 IN. LG. TCTA	1	
- 39	B-296-4	HOSE .09 ID YELLOW 4 IN. LG. TCTA	1	
		ATTACHING PARTS		
- 40	0770012-13	CLAMP	4	

CONTINUED ON PAGES 308 & 309

FIGURE AND INDEX NO.	PART NUMBER	DESCRIPTION							UNITS PER ASSY	USABLE ON CODE
		1	2	3	4	5	6	7		
83C- 41	0770012-17	TEE							2	
- 42	1200078-12	HOSE-SENSOR-----YELLOW							1	
- 43	1200078-11	HOSE-SENSOR-----BLUE							1	
- 44	A-482	ATTACHING PARTS							1	
- 45	CS-6	CLAMP TCTA							4	
- 46	0770012-43	CLAMP CRB							2	
- 47	1200077-15	TEE-TEST							1	
- 48	49167-21	CAP-TEST TEE							1	
		HARNES BAND UC							1	
	S-1021Z-6-8	ATTACHING PARTS							1	
- 49	MS21919WDG-9	SCREW CESSNA STANDARD							1	
		CLAMP							2	
	NAS221-5	ATTACHING PARTS							1	
	MS20364-1032C	SCREW							1	
- 50	49166-21	NUT							1	
- 51	S-1021Z-6-8	HARNES BAND UC							1	
- 52	1200078-10	ATTACHING PARTS							1	
- 53	1200078-15	SCREW CESSNA STANDARD							1	
- 54	0770012-13	HOSE-CONTROL UNIT TO AMPLIFIER-----BLUE							1	
- 55	0770012-45	HOSE-CONTROL UNIT TO AMPLIFIER-----YELLOW							1	
- 56	1200077-10	ATTACHING PARTS							2	
- 57	AN515-8R8	AMPLIFIER-AILERON							1	
	AN960-8	BRACKET-AMPLIFIER							1	
	MS20365-832C	ATTACHING PARTS							2	
- 58	1200077-8	SCREW							2	
- 59	1200077-25	WASHER							2	
- 60	1200077-26	NUT							2	
- 61	CS-6	HOSE-AILERON AMPLIFIER TO TEST TEE							1	
- 62	49165-21	HOSE-AILERON AMPLIFIER TO RH AILERON SERVO							1	
- 63	S-1021Z-6-8	HOSE-AILERON AMPLIFIER TO LH AILERON SERVO							1	
- 64	1200077-12	CLAMP CRB							5	
- 65	S-1072-1	HARNES BAND UC							7	
- 66	S-225-6	ATTACHING PARTS							1	
	S-1022Z-8-8	SCREW CESSNA STANDARD							1	
- 67	1200077-5	CLIP							2	
- 68	AN515-8R8	DOUBLER ASSEMBLY-----CESSNA STANDARD							1	
	AN960-8	PLATE-INSPECTION-----CESSNA STANDARD							1	
- 69	A-1748	ATTACHING PARTS							1	
- 70	AN515-8-14	SCREW CESSNA STANDARD							6	
- 71	AN515-8-7	SERVO ASSEMBLY-AILERON							2	
- 72	AN960-8	ATTACHING PARTS							4	
- 73	G-37	SCREW							4	
- 74	AN3-6A	BRACKET-PULLEY-----TCTA							2	
	AN960-10L	ATTACHING PARTS							2	
	MS20364-1032C	SCREW							2	
- 75	AN381-2-12	SCREW							5	
- 76	B-1341-8	WASHER							1	
- 77	A-427	NUT							1	
	AN500A4-4	PULLEY ATPU							1	
	AN960-8	ATTACHING PARTS							2	
		BOLT							1	
		WASHER							1	
		NUT							1	
		PIN-COTTER							2	
		CABLE ASSEMBLY-----TCTA							1	
		CLAMP TCTA							1	
		ATTACHING PARTS							1	
		SCREW							1	
		WASHER							1	

CONTINUED ON PAGE 309

FIGURE AND INDEX NO.	PART NUMBER	DESCRIPTION	UNITS PER ASSY	USABLE ON CODE
		1 2 3 4 5 6 7		
83C-	AN960-4 MS20365-440C	WASHER ----- NUT ----- -----*	1 1	
- 78	1200077-9	PLATE-MOUNTING ----- ATTACHING PARTS	2	
- 79	AN515-8R8 AN960-8 MS20365-832C	SCREW ----- WASHER----- NUT ----- -----*	4 4 4	
- 80	1200077-3 1200077-4	DOUBLER-REAR SPAR LH ----- DOUBLER-REAR SPAR RH -----	1 1	
- 81	1200077-7	SPRING-TAKE-UP -----	1	
- 82	1200077-8	CLAMP-CABLE----- ATTACHING PARTS	1	
- 83	AN3-3A AN960-10 MS20364-1032C	BOLT ----- WASHER----- NUT ----- -----*	2 2 2	
- 84	U513194-1	MOUNTING BASE ----- ATTACHING PARTS	1	
- 85	AN515-8-10	SCREW -----	4	
- 86	MS20365-832C	NUT ----- -----*	4	
		A---172 SERIAL 17248484 THRU 17248734 175 SERIAL 17556988 THRU 17557002		
		NOTE. FOR ACCESSORY KIT LISTINGS REFER TO PAGE 364		

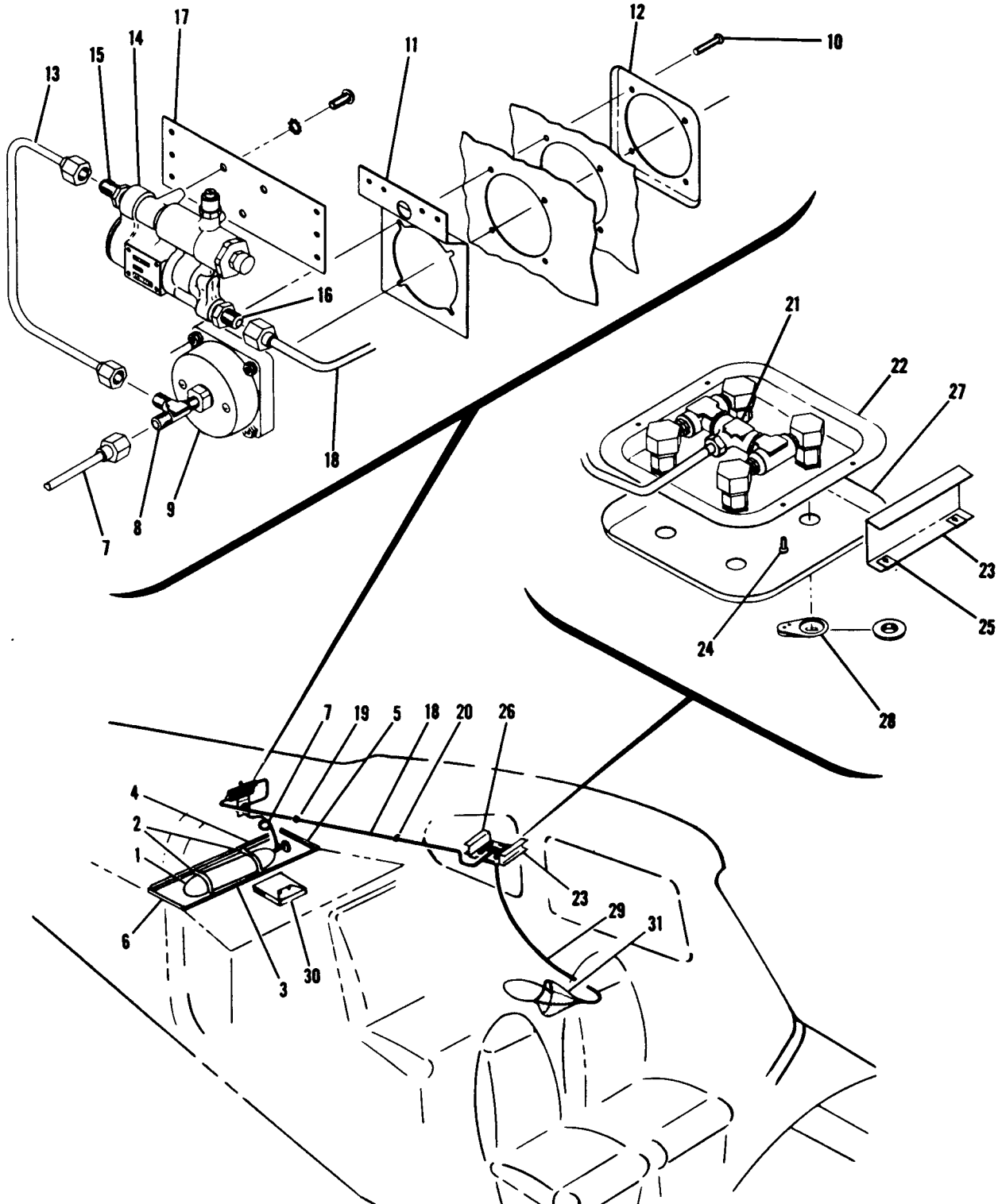
Figure 83D Has Been Deleted.

Figure 83D Has Been Deleted.

Figure 83D Has Been Deleted.

Figure 83D Has Been Deleted.

Oxygen System

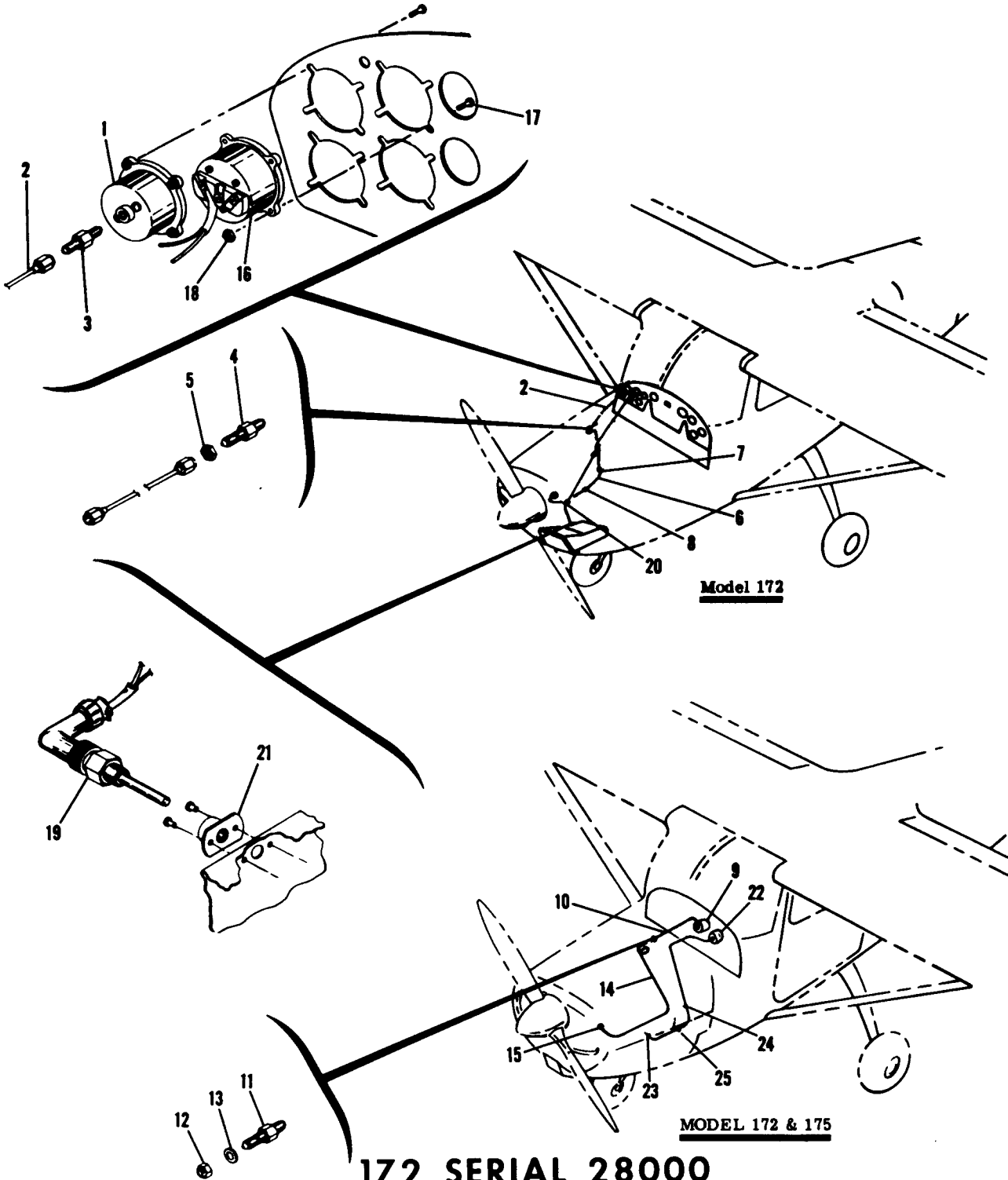


172 SERIAL 28000 THRU 17249544
175 SERIAL 55001 THRU 17557119

Figure 84. Oxygen System Installation

FIGURE AND INDEX NO.	PART NUMBER	DESCRIPTION	UNITS PER ASSY	USABLE ON CODE
		1 2 3 4 5 6 7		
84-		OXYGEN SYSTEM INSTALLATION -----	NP	A
- 1	1200058-1	CYLINDER & VALVE ASSEMBLY -----	1	
- 2	0812361-1	MOUNTING BRACKET-CYLINDER ----- SCA 8590 -----	2	
	AN4-5A	ATTACHING PARTS -----		
	MS20365-428C	BOLT ----- 172 SERIAL 28000	2	
		NUT ----- THRU 17249544	2	
		-----*		
- 3	0700030-10	ANGLE-TANK SUPPORT FORWARD -----	1	
- 4	0700030-11	ANGLE-TANK SUPPORT AFT -----	1	
- 5	0700030-1	ANGLE-TANK SUPPORT LEFT -----	1	
- 6	0700030-2	ANGLE-TANK SUPPORT RIGHT -----	1	
- 7	0500106-184	LINE ASSEMBLY-HIGH PRESSURE TANK TO GAGE -----	1	
- 8	AN826-3D	TEE-TUBE TO GAGE -----	1	
- 9	0812362-1	GAGE-OXYGEN PRESSURE WHEN EXHAUSTED USE S-1325N1 -----	1	
	S-1325N1	GAGE-OXYGEN PRESSURE REMANUFACTURED -----	1	
		ATTACHING PARTS -----		
- 10	AN515BR6	SCREW ----- 175 SERIAL 55001	4	
		-----*		
- 11	0700030-4	BRACKET-GAGE ----- THRU 17557119	1	
- 12	0700030-3	BEZEL-GAGE -----	1	
- 13	0500106-185	LINE ASSEMBLY-HIGH PRESSURE -----	1	
- 14	0812363-1	REGULATOR ASSEMBLY-OXYGEN -----	1	
- 15	AN816-3D	NIPPLE -----	1	
- 16	AN816-5D	NIPPLE -----	1	
- 17	0700030-5	BRACKET-REGULATOR -----	1	
- 18	0500106-186	LINE ASSEMBLY-LOW PRESSURE----- REGULATOR TO MANIFOLD -----	1	
- 19	MS35489-12S	GROMMET -----	1	
- 20	A2981A-5	CLAMP TIN -----	1	
		ATTACHING PARTS -----		
	S-1021Z-8-6	SCREW CESSNA STANDARD -----	1	
	S-350	WASHER-CORK-----CESSNA STANDARD -----	1	
	AN960-10L	WASHER-----	1	
		-----*		
- 21	0800030-2	MANIFOLD ASSEMBLY -----	1	
- 22	0800030-14	PAN-MANIFOLD ASSEMBLY SUPPORT -----	1	
- 23	0800030-7	BRACKET-PAN SUPPORT FORWARD -----	1	
		ATTACHING PARTS -----		
- 24	S-1021S-6-6	SCREW CESSNA STANDARD -----	2	
- 25	A1804-6Z-3	NUT TIN-----	2	
		-----*		
- 26	0700030-6	BRACKET-PAN SUPPORT AFT -----	1	
		ATTACHING PARTS -----		
	S-1021Z-6-6	SCREW CESSNA STANDARD -----	2	
	A1804-6Z-3	NUT TIN-----	2	
		-----*		
- 27	0800030-5	COVER-PAN -----	1	
- 28	0812366-1	DUST CAP-PAN -----	4	
- 29	0800030-4	LINE ASSEMBLY-OXYGEN -----	4	
- 30	0800030-19	CASE-OXYGEN MASK STORAGE -----	1	
- 31	0812369-1	MASK-OXYGEN-----	4	
		 A---172 SERIAL 28000 THRU 17249544 175 SERIAL 55001 THRU 17557119		
		 NOTE. FOR ACCESSORY KIT LISTINGS REFER TO PAGE 364		

Manifold Press & Carb Air Temp System



Model 172

MODEL 172 & 175

**172 SERIAL 28000
THRU 17249544**

175 SERIAL 55001 THRU 17557119

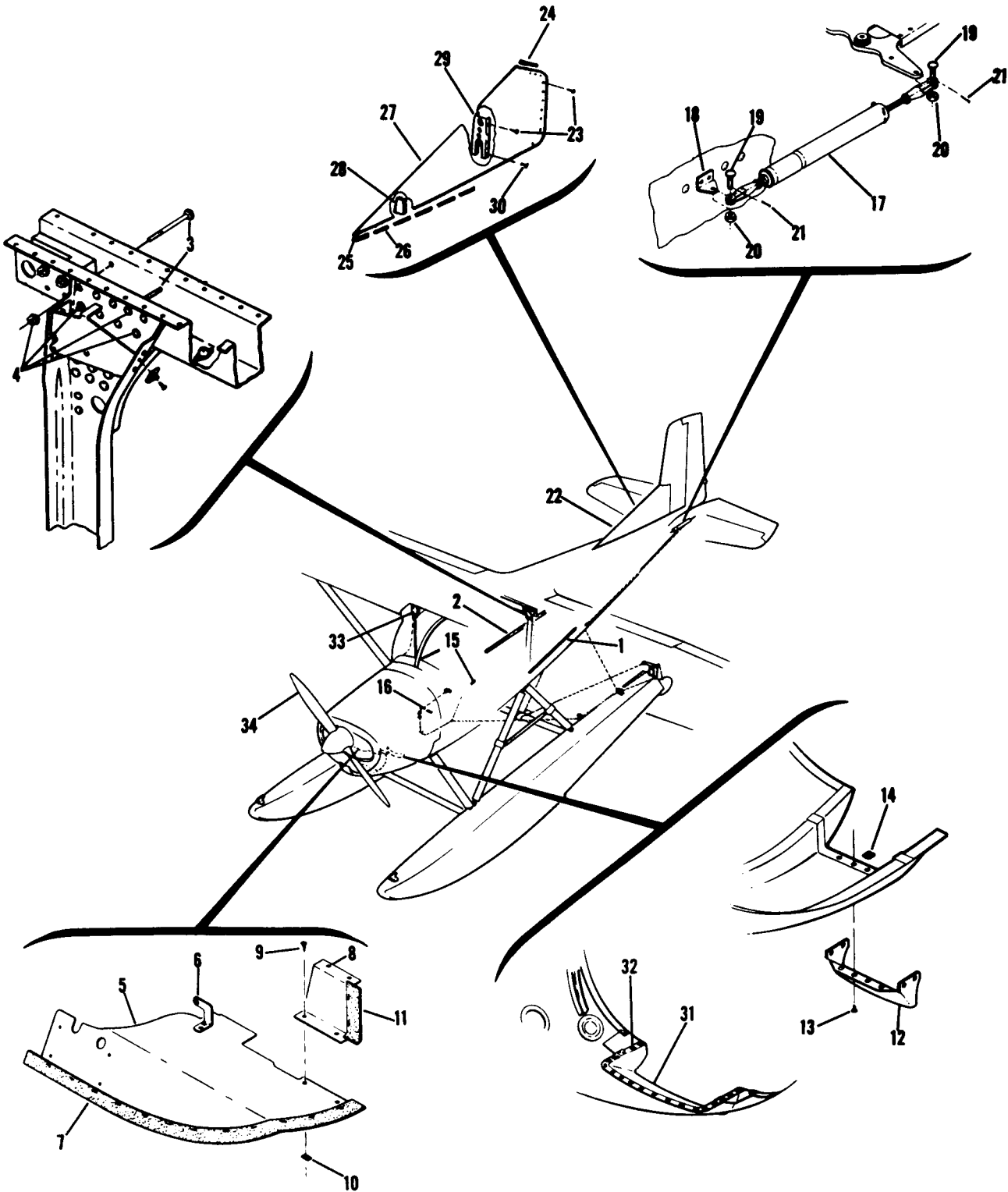
Figure 85. Manifold Pressure Gage and Carburetor Air Temp Gage Installations

FIGURE AND INDEX NO.	PART NUMBER	DESCRIPTION	UNITS PER ASSY	USABLE ON CODE
		1 2 3 4 5 6 7		
85-		MANIFOLD PRESSURE GAGE & CARB AIR TEMP INSTLS -----	NP	
- 1	0413319-3	MANIFOLD PRESSURE GAGE INSTALLATION-----	1	A
- 2	0500106-34	GAGE-MANIFOLD PRESSURE -----	1	
		LINE ASSEMBLY-GAGE TO FIREWALL -----	1	
		ATTACHING PARTS -----		
- 3	AN816-2D	ADAPTER ----- 172 SERIAL 28000	1	
- 4	AN832-2D	COUPLING -----	1	
- 5	AN924-2D	NUT ----- THRU 17249544	1	
		-----*		
- 6	0500106-33	LINE ASSEMBLY-FIREWALL TO MANIFOLD -----	1	
		ATTACHING PARTS -----		
- 7	A2980A-2	CLAMP TIN -----	1	
	S-1021Z-8-6	SCREW CESSNA STANDARD ----- 175 SERIAL 55001	2	
	NAS446-4-3	NUT TIN A1778-8Z-3 -----	1	
- 8	A2980A-20	CLAMP TIN ----- THRU 17557119	1	
	A2981A-2	CLAMP TIN -----	1	
		-----*		
- 9	0311029-6	MANIFOLD PRESSURE GAGE INSTALLATION-----	1	B
	S-1301N2	GAGE-MANIFOLD PRESSURE WHEN EXHAUSTED USE S-1301N2 -----	1	H
	S-1301N1	GAGE-MANIFOLD PRESSURE CESSNA STANDARD -----	1	H
	AN515B6R12	GAGE-MANIFOLD PRESSURE CESSNA STANDARD -----	1	J
		SCREW -----	4	
		ATTACHING PARTS -----		
	AN936A6B	WASHER -----	AR	
	AN340B6	NUT -----	AR	
		-----*		
- 10	0500106-238	LINE ASSEMBLY-GAGE TO FIREWALL -----	1	H
	0500106-351	LINE ASSEMBLY-GAGE TO FIREWALL -----	1	J
		ATTACHING PARTS -----		
- 11	AN832-2D	UNION -----	1	
- 12	AN924-2D	NUT -----	1	
- 13	AN960-516	WASHER -----	1	
	A2980-2-27	CLAMP TIN -----	1	J
	S-1021Z-8-10	SCREW CESSNA STANDARD -----	1	J
		-----*		
- 14	0500106-262	LINE ASSEMBLY-FIREWALL TO MANIFOLD -----	1	H
	0500106-350	LINE ASSEMBLY-FIREWALL TO MANIFOLD -----	1	J
		ATTACHING PARTS -----		
- 15	AN816-2D	NIPPLE -----	1	
		-----*		
- 16	0311020-8	CARBURETOR AIR TEMPERATURE GAGE INSTALLATION -----	NP	
		GAGE-CARBURETOR AIR TEMPERATURE -----	1	C
		ATTACHING PARTS -----		
- 17	AN515-6R8	SCREW -----	4	C
- 18	MS20365-632C	NUT -----	4	C
		-----*		
- 19	0311020-7	BULB -----	1	C
- 20	NAS437-3C1	BAND -----	2	C
- 21	0411849	NUT -----	1	C
	0713209-1	PLACARD INSTALLED ON GAGE FACE -----	1	D
- 22	0311020-8	GAGE-CARBURETOR AIR TEMPERATURE -----	1	K
	0750029-1	GAGE-CARBURETOR AIR TEMPERATURE WHEN -----	1	L
		EXHAUSTED USE S-1311N1 -----		
	S-1311N1	GAGE-CARBURETOR AIR TEMPERATURE CESSNA STANDARD -----	1	L
		ATTACHING PARTS -----		
	AN515B6R12	SCREW -----	4	
	AN340B6	NUT -----	4	
		-----*		
	0411897-3	ADAPTER PLATE -----	1	E
		ATTACHING PARTS -----		
	AN515B6R12	SCREW -----	4	
	AN936A6B	WASHER -----	4	
	AN340B6	NUT -----	4	
		-----*		
NOTE. FOR ACCESSORY KIT LISTINGS REFER TO PAGE 364				
CONTINUED ON PAGE 318				

FIGURE AND INDEX NO.	PART NUMBER	DESCRIPTION	UNITS PER ASSY	USABLE ON CODE
		1 2 3 4 5 6 7		
85- 23	0550209-1	PROBE -----	1	D
- 24	AN742D12	CLAMP -----	1	D
	MS21919DG3	CLAMP -----	1	D
- 25	AN742D16	CLAMP -----	1	B
	S-1021Z-8-10	SCREW -----	1	D
	NAS446-4	NUT -----	1	D
		CESSNA STANDARD -----		
		A---172 SERIAL 28000 THRU 17249544		
		B---175 SERIAL 55001 THRU 17557119		
		C---172 SERIAL 28000 THRU 46754		
		D---172 SERIAL 46755 THRU 17249544		
		175 SERIAL 56230 THRU 17557119		
		E---172 SERIAL 17247747 THRU 17249544		
		175 SERIAL 56230 THRU 17557119		
		F---172 SERIAL 17248267 THRU 17249544		
		175 SERIAL 17556968 THRU 17557119		
		G---172 SERIAL 46755 THRU 17248266		
		175 SERIAL 56230 THRU 17556965		
		H---175 SERIAL 55001 THRU 17557002		
		J---175 SERIAL 17557003 THRU 17557119		
		K---172 SERIAL 46755 THRU 17248266		
		175 SERIAL 56230 THRU 17556967		
		L---172 SERIAL 17248267 THRU 17249544		
		175 SERIAL 17556968 THRU 17557119		
		NOTE. FOR ACCESSORY KIT LISTINGS REFER TO PAGE 364		

This page intentionally left blank.

Floatplane



175 SERIAL 55001 THRU 56777

Figure 86. Floatplane Fittings Installation

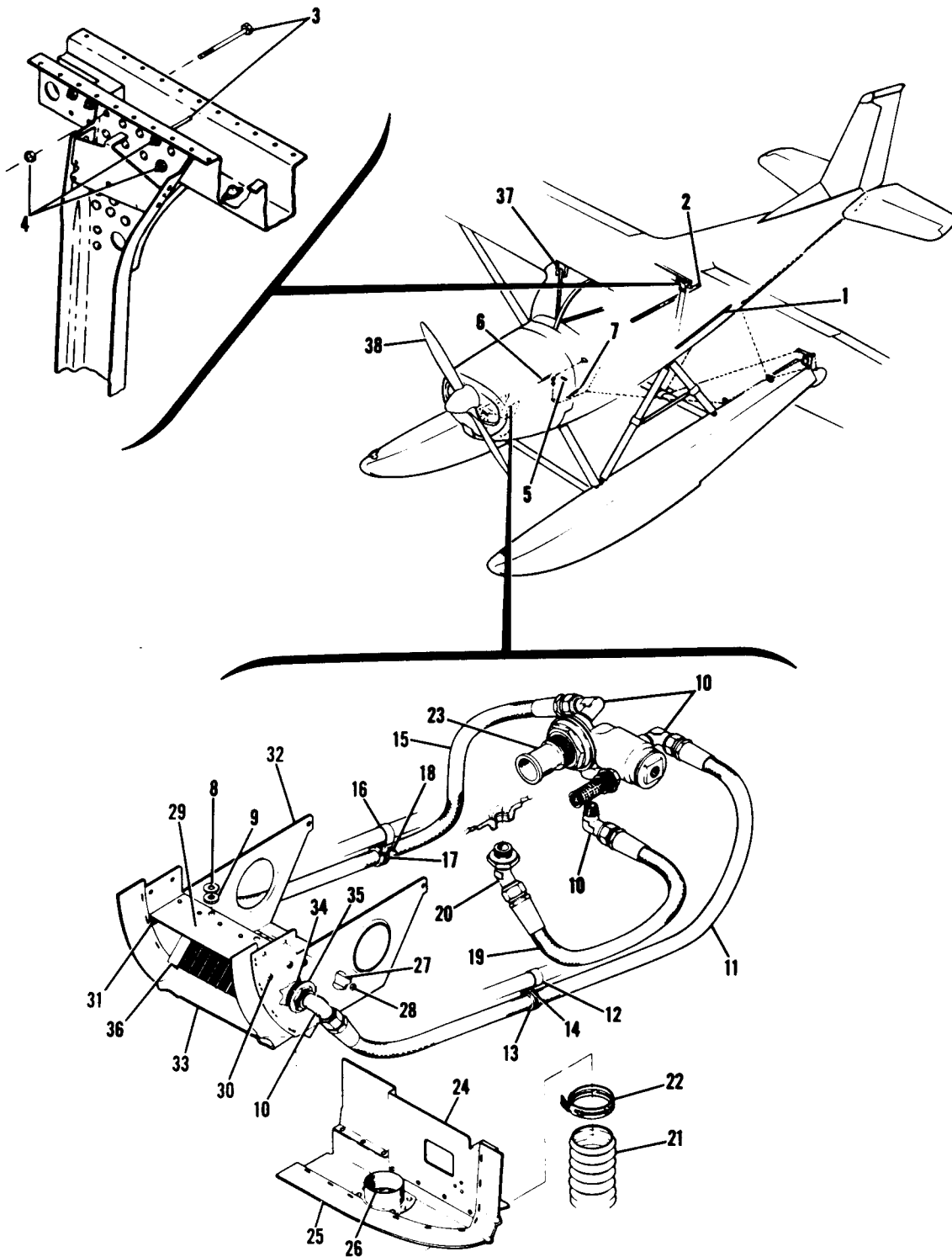


FIGURE AND INDEX NO.	PART NUMBER	DESCRIPTION	UNITS PER ASSY	USABLE ON CODE
			1 2 3 4 5 6 7	
86-		FLOATPLANE FITTINGS INSTALLATION	NP	A
- 1	0500044-1	ANGLE-LH	1	
- 2	0500044-2	ANGLE-RH	1	
- 3	AN3-20A	BOLT	8	
- 4	MS20365-1032C	NUT	8	
- 5	0555149-13	BAFFLE ASSEMBLY	1	B
- 6	0555149-19	BRACKET	1	B
- 7	0555149-17	SEAL	1	B
- 8	0555149-14	BAFFLE ASSEMBLY	1	B
- 9	S-10212-8-6	ATTACHING PARTS		
- 10	NAS446-4-3	SCREW CESSNA STANDARD	2	B
		NUT	2	B
- 11	0555149-18	SEAL	1	B
- 12	0552005-2	COWL LIP	1	B
		ATTACHING PARTS		
- 13	S-10212-8-3	SCREW CESSNA STANDARD	8	B
- 14	NAS446-4-3	NUT	8	B
- 15	0513155-1	DECAL-STALL RECOVERY	1	B
- 16	0513155-2	DECAL-RETRACT WATER RUDDERS	1	B
	0513219-1	PLACARD	1	C
- 17		RUDDER CENTRALIZER ASSEMBLY SEE FIGURE 104	1	B
		ATTACHING PARTS		
- 18	0512007-9	BRACKET	1	B
- 19	AN24-10	BOLT	2	B
- 20	AN345-416	NUT	2	B
- 21	AN380-2-2	PIN-COTTER	2	B
- 22	0531114-5	DORSAL FIN ASSEMBLY	1	B
		ATTACHING PARTS		
	S8K5	RIVNUT-GD	48	B
- 23	AN515-8R8	SCREW	58	B
	0531001-37	BRACKET	12	B
- 24	0411875-18	MOULDING	1	B
- 25	0411875-12	MOULDING	1	B
- 26	0411875-9	MOULDING	10	B
- 27	0531114-2	SKIN	1	B
- 28	0531114-4	RIB	1	B
- 29	0531114-6	RIB ASSEMBLY-DORSAL FIN	1	B
		ATTACHING PARTS		
- 30	AN515-8R8	SCREW	4	B
	S8K75	RIVNUT-GD	4	B
	S8K75	RIVNUT GD	10	B
		STRUCTURE DETAILS-FLOATPLANE FUSELAGE SEE FIGURE 87	1	
- 31	0552008-2	LIP-COWL	1	C
		ATTACHING PARTS		
- 32	NAS446-4-3	NUT	1	C
	S-10212-8-8	SCREW CESSNA STANDARD	1	C
- 33	0511311-11	SHIELD ASSEMBLY-DOOR POST UPPER LH	1	C
	0511311-12	SHIELD ASSEMBLY-DOOR POST UPPER RH	1	C
- 34		PROPELLER INSTALLATION SEE FIGURES 54 & 54A	NP	

A---175 SERIAL 55001 THRU 56777
 B---175 SERIAL 55001 THRU 56238
 C---175 SERIAL 56239 THRU 56777

NOTE. FOR ACCESSORY KIT LISTINGS REFER TO PAGE 364

Floatplane (Cont)

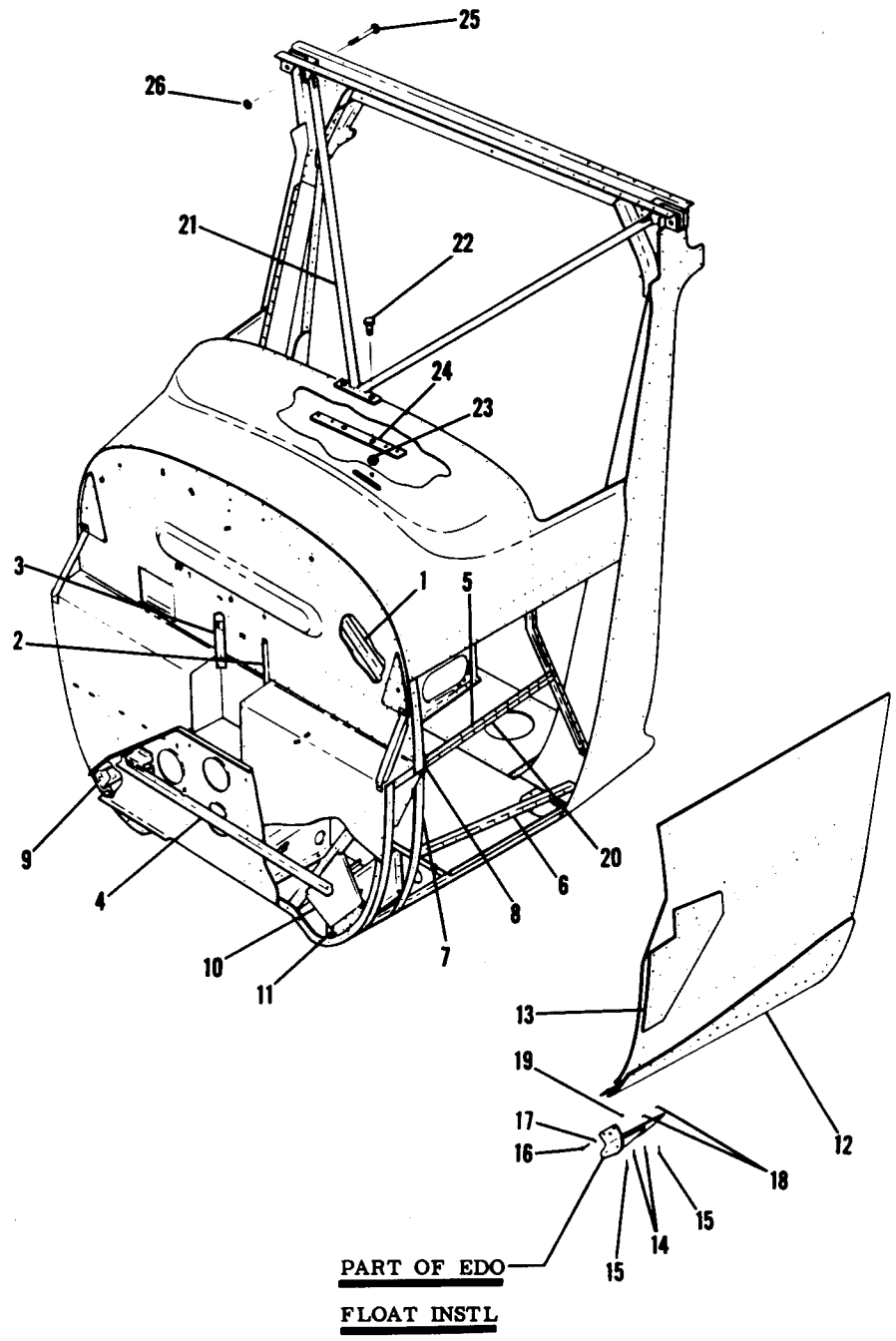


172 SERIAL 46755 THRU 17249544

Figure 86A. Floatplane Fittings Installation

FIGURE AND INDEX NO.	PART NUMBER	DESCRIPTION	UNITS PER ASSY	USABLE ON CODE		
					1	2
86A-		FLOATPLANE FITTINGS INSTALLATION-----	NP	A		
- 1	0500044-1	ANGLE-LH -----	1			
- 2	0500044-2	ANGLE-RH -----	1			
- 3	AN3-20A	BOLT -----	8			
- 4	MS20365-1032C	NUT -----	8			
- 5	0513219-2	PLACARD ASSEMBLY-FLOATPLANE -----	1	B		
	0513219-7	PLACARD ASSEMBLY-FLOATPLANE -----	1	D		
	0513219-9	PLACARD ASSEMBLY-FLOATPLANE -----	1	E		
	S-10212-6-8	ATTACHING PARTS				
		SCREW CESSNA STANDARD -----	4			
	0513219-5	PLACARD-FLOATPLANE -----	1	B		
	0513219-6	PLACARD-FLOATPLANE -----	1	C		
- 6	0310196-12	SPRING-BRAKE & RUDDER RETURN RH -----	1			
- 7	0310196-5	SPRING-BRAKE & RUDDER RETURN LH -----	1			
		OIL COOLER INSTALLATION	NP			
- 8	AN960-416	WASHER -----	2			
- 9	AN960-416L	WASHER -----	2			
- 10	MS20822D8D	ELBOW -----	5			
- 11	S-1167-8-0340	HOSE ASSEMBLY-OIL COOLER-----	1			
		ATTACHING PARTS				
- 12	A2982A-12-27	CLAMP TIN -----	2			
- 13	MS21919DG12	CLAMP -----	2			
- 14	S-10212-8-8	SCREW CESSNA STANDARD -----	2			
- 15	S-1167-8-0320	HOSE ASSEMBLY-OIL COOLER-----	1			
		ATTACHING PARTS				
- 16	A2982A-12-27	CLAMP TIN -----	1			
- 17	MS21919DG-12	CLAMP -----	1			
- 18	S-102128-8	SCREW CESSNA STANDARD -----	1			
- 19	S-1167-8-0160	HOSE ASSEMBLY-ADAPTER TO OIL SUMP-----	1			
- 20	AN823-8D	ELBOW -----	1			
- 21	S-1053E-16T	HOSE-----18.0 IN LG-----BULK ITEM-----REF S-1053E-16T-18.0 CESSNA STANDARD	1	B		
		ATTACHING PARTS				
- 22	NAS397-16	CLAMP -----	1	B		
- 23	5435	ADAPTER KIT CM -----	1			
- 24	0555165-1	BAFFLE ASSEMBLY-LH -----	1	B		
- 25	0555165-7	SEAL -----	1			
	0555165-9	BRACKET -----	1			
- 26	0450262	UNION -----	2			
	0550219-2	OIL COOLER ASSEMBLY-----	1	B		
	0550219-16	OIL COOLER ASSEMBLY-----	1	C		
- 27	0550219-3	STIFFENER -----	1			
		ATTACHING PARTS				
- 28	AN520-10R6	SCREW -----	6			
	NAS680A3	NUTPLATE -----	6			
- 29	0550219-4	STIFFENER ASSEMBLY ATTACHING PARTS	1			
- 30	AN520-10R6	SCREW -----	4			
- 31	NAS680A3	NUTPLATE -----	4			
- 32	0550219-14	SUPPORT -----	1			
- 33	0550219-8	SEAL -----	1			
- 34	AN960-1716	WASHER-INSIDE LH -----	1			
	0550219-15	WASHER-INSIDE RH -----	1			
- 35	AN960-1716L	WASHER -----	2			
- 36	0550219-19	COOLER-OIL -----	1			
- 37	0511311-11	SHIELD ASSEMBLY-LH -----	1	F		
	0511311-12	SHIELD ASSEMBLY-RH -----	1	F		
- 38		PROPELLER INSTALLATION SEE FIGURES 54 & 54A -----	NP			
		STRUCTURE DETAILS-FLOATPLANE FUSELAGE SEE FIGURE 87A -----	NP	B		
		STRUCTURE DETAILS-FLOATPLANE FUSELAGE SEE FIGURE 87-----	NP	C		
		A---172 SERIAL 46755 THRU 17249544				
		B---172 SERIAL 46755 THRU 47746				
		C---172 SERIAL 17247747 THRU 17249544				
		D---172 SERIAL 17247747 THRU 17248734				
		E---172 SERIAL 17248735 THRU 17249544				
		F---172 SERIAL 46755 THRU 17248734				
		NOTE. * ON AIRPLANES SERIAL 17248735 & ON USE STANDARD SHIELD. BRACE CUTOUT IS MARKED ON BACK OF SHIELD.				
		NOTE. FOR ACCESSORY KIT LISTINGS REFER TO PAGE 364				

Floatplane (Cont)

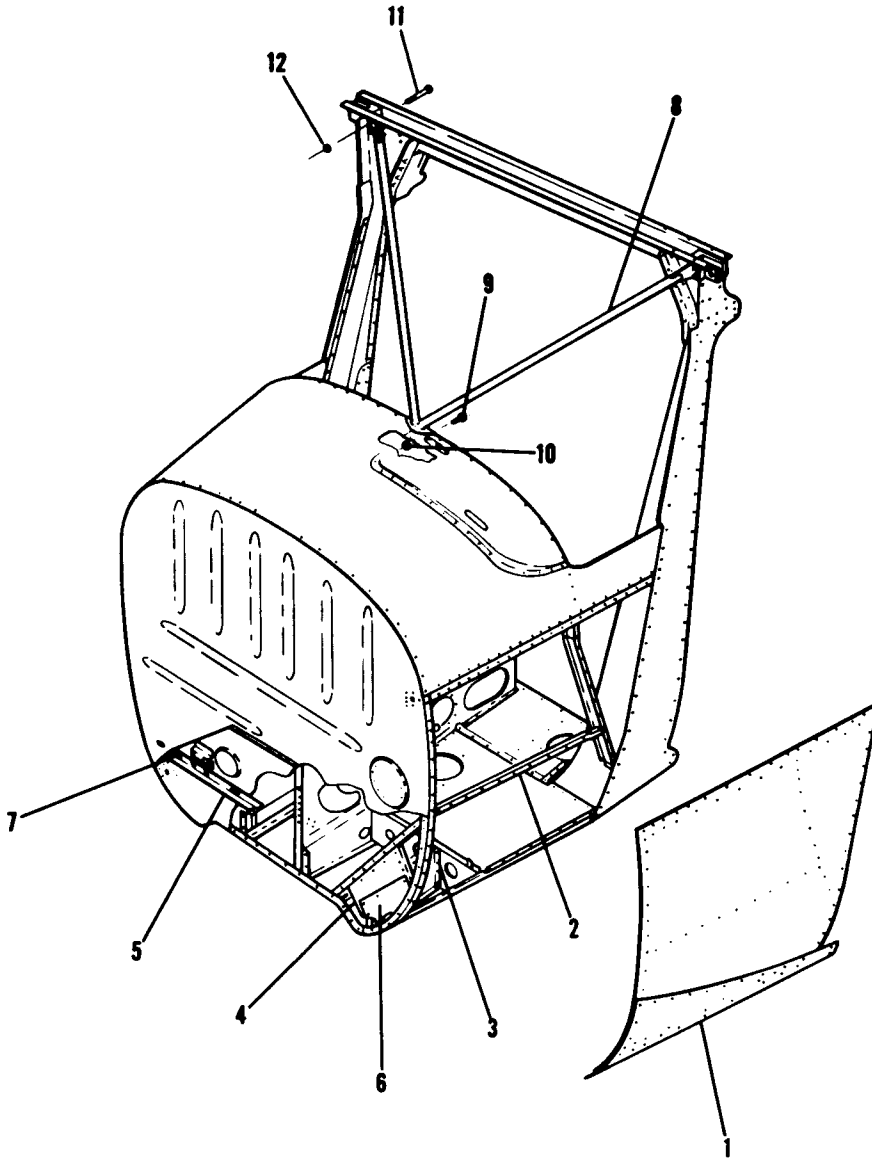


172 SERIAL 17247747 THRU 17249544
175 SERIAL 55001 THRU 56777

Figure 87. Floatplane Fuselage Structure Details

FIGURE AND INDEX NO.	PART NUMBER	DESCRIPTION	UNITS PER ASSY	USABLE ON CODE
		1 2 3 4 5 6 7		
87-		STRUCTURE DETAILS-FLOATPLANE FUSELAGE-----	NP	A
- 1	0500044-11	ANGLE-FIREWALL REINFORCEMENT LH	1	
	0500044-23	ANGLE-FIREWALL REINFORCEMENT RH	1	
- 2	0500044-9	ANGLE-FIREWALL REINFORCEMENT RH	1	
- 3	0500044-10	ANGLE-FIREWALL REINFORCEMENT LH	1	
- 4	0500044-6	ANGLE-FIREWALL REINFORCEMENT	1	
- 5	0500044-13	ANGLE-LH	1	
	0500044-14	ANGLE-RH	1	
- 6	0500044-17	ANGLE-LH	1	
	0500044-18	ANGLE-RH	1	
- 7	0500044-15	ANGLE-LH	1	
	0500044-16	ANGLE-RH	1	
- 8	0500044-19	SHIM	2	
	0500044-20	BRACKET-ENGINE MOUNT ATTACHMENT LOWER LH	1	
- 9	0500044-21	BRACKET-ENGINE MOUNT ATTACHMENT LOWER RH	1	
- 10	0500044-7	DOUBLER-FIREWALL LH	1	
	0500044-8	DOUBLER-FIREWALL RH	1	
- 11	0500044-5	PLATE	2	
- 12	0500044-3	DOUBLER-SKIN LH	1	
	0500044-4	DOUBLER-SKIN RH	1	
- 13	0500044-12	DOUBLER-SKIN	2	
- 14	AN3-5A	BOLT	5	
- 15	AN3-4A	BOLT	3	
- 16	AN4-6A	BOLT	2	
- 17	AN960-416	WASHER	1	
- 18	MS20365-1032C	NUT	8	
- 19	MS20365-428C	NUT	2	
- 20	0500044-24	ANGLE-LH	1	
	0500044-25	ANGLE-RH	1	
- 21	0513003-5	BRACE ASSEMBLY	1	B
		ATTACHING PARTS		
- 22	AN4-5A	BOLT	2	B
- 23	MS20365-428C	NUT	2	B
- 24	0513193-1	DOUBLER	1	B
- 25	AN3-20A	BOLT	4	B
- 26	MS20365-1032C	NUT	4	B
		-----*		
		A---175 SERIAL 55001 THRU 56777		
		172 SERIAL 17247747 THRU 17249544		
		B---175 SERIAL 56239 THRU 56777		
		172 SERIAL 17247747 THRU 17249544		
		NOTE. FOR ACCESSORY KIT LISTINGS REFER TO PAGE 364		

Floatplane (Cont)



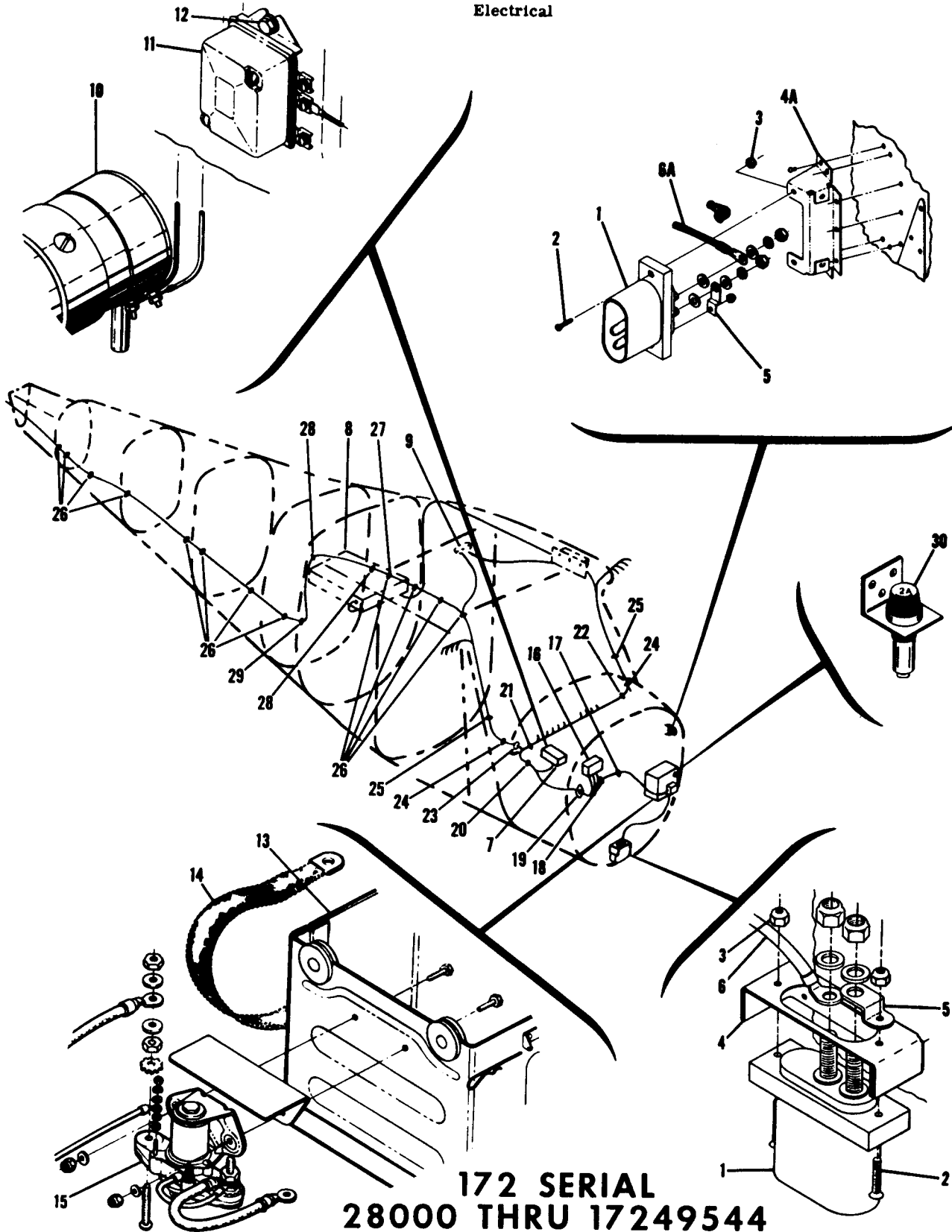
172 SERIAL 46755 THRU 47746

Figure 87A. Floatplane Fuselage Structure Details

FIGURE AND INDEX NO.	PART NUMBER	DESCRIPTION	UNITS PER ASSY	USABLE ON CODE
		1 2 3 4 5 6 7		
87A-		STRUCTURE DETAILS-FLOATPLANE FUSELAGE-----	NP	A
- 1	0500070-11	DOUBLER-LH -----	1	
	0500070-12	DOUBLER-RH -----	1	
- 2	0500070-9	ANGLE-LH -----	1	
	0500070-10	ANGLE-RH -----	1	
- 3	0500070-7	BULKHEAD ASSEMBLY-LH -----	1	
	0500070-8	BULKHEAD ASSEMBLY-RH -----	1	
- 4	0500070-3	DOUBLER-LH -----	1	
	0500070-4	DOUBLER-RH -----	1	
- 5	0500070-15	ANGLE -----	1	
- 6	0500070-17	PLATE-LH -----	1	
	0500070-18	PLATE-RH -----	1	
- 7	NAS445-4	NUT -----	2	
- 8	0513003-15	BRACE ASSEMBLY -----	1	
		ATTACHING PARTS		
- 9	ANA-5A	BOLT -----	2	
- 10	MS20365-428C	NUT -----	2	
- 11	AN3-21A	BOLT -----	4	
- 12	MS20365-1032C	NUT -----	4	

		A---172 SERIAL 46755 THRU 47746		
		NOTE. FOR ACCESSORY KIT LISTINGS REFER TO PAGE 364		

Electrical



172 SERIAL
28000 THRU 17249544

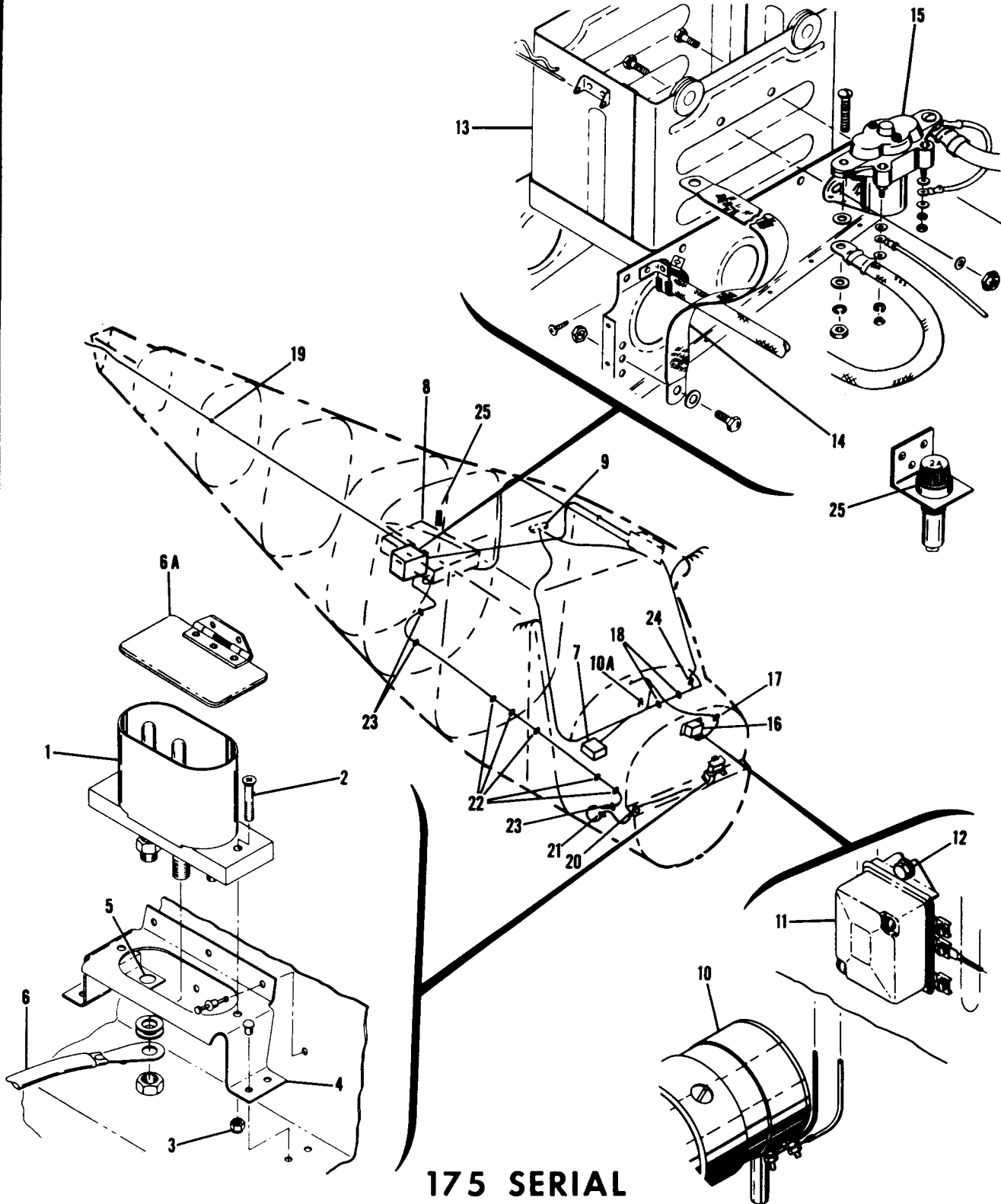
Figure 88. Fuselage Electrical Equipment Installation

FIGURE AND INDEX NO.	PART NUMBER	DESCRIPTION	UNITS PER ASSY	USABLE ON CODE
		1 2 3 4 5 6 7		
88-		FUSELAGE ELECTRICAL EQUIPMENT INSTALLATION-----	NP	A
- 1	AN2552-3A	GROUND SERVICE PLUG INSTALLATION -----	1	
		RECEPTACLE-GROUND SERVICE PLUG -----	1	
- 2	AN510-10R16	ATTACHING PARTS -----		
- 3	MS20365-1032C	SCREW ----- 172 SERIAL 28000	2	
		NUT ----- THRU 17249544	2	
- 4	0513034-2	BRACKET-MOUNTING -----	1	H
- 4A	0513229-3	BRACKET ASSEMBLY-MOUNTING -----	1	J
- 5	0312155-10	STRAP-GROUND -----	1	
- 6	0500005-124	CABLE-BATTERY TO RECEPTACLE -----	1	B
	0500049-2	CABLE-BATTERY TO RECEPTACLE -----	1	C
	0513034-PC1	CABLE-BATTERY TO RECEPTACLE -----	1	D
- 6A	0513299-PC1	CABLE-BATTERY TO RECEPTACLE -----	1	J
- 7		NAVIGATION LIGHTS FLASHER INSTALLATION -----	1	
	0511309-1	FLASHER ASSEMBLY-POSITION LIGHT -----	1	E
	0713511-1	FLASHER ASSEMBLY-POSITION LIGHT -----	1	F
		ATTACHING PARTS -----		
	AN520-416-14	SCREW -----	3	E
	S-1021Z-6-6	SCREW CESSNA STANDARD -----	4	F
	AN960-416L	WASHER -----	3	E
	NAS446-2-3	NUT -----	4	F
	MS20365-428C	NUT -----	3	E
		-----*		
	0812353-2	CARTRIDGE-FLASHER-----	1	E
- 8		1 1/2 MINUTE FLARES INSTALLATION SEE FIG 90 -----	1	
- 9		LANDING LIGHT INSTALLATION--- SEE FIGURE 92 -----	1	
		CABIN LIGHTS & SPEAKER INSTALLATION---SEE FIGURE 91 -----	1	
		GENERATOR INSTALLATION-25 AMP -----	1	
	0550144	GENERATOR ASSEMBLY-25 AMP -----	1	
	0413205-2	VOLTAGE REGULATOR-25 AMP -----	1	
		ATTACHING PARTS -----		
	AN4-6A	BOLT-----	3	
	MS20365-428C	NUT -----	3	
		-----*		
- 10	0500037-4	GENERATOR INSTALLATION -----	1	
	0513042-1	GENERATOR-35 AMP -----	1	
	0411023-7	PANEL-FUSE RETAINER-----	1	
- 11	0413205-10	FUSE-35 AMP -----	2	
		REGULATOR-VOLTAGE 35 AMP-----	1	
		ATTACHING PARTS -----		
- 12	AN4-6A	BOLT-----	3	
	MS20365-428C	NUT -----	3	
		-----*		
	0555162-1	BLAST TUBE -----	1	G
		ATTACHING PARTS -----		
	S-1021Z-8-6	SCREW CESSNA STANDARD -----	1	G
	NAS446-4-3	NUT -----	1	G
		-----*		
	S-1053E8T	HOSE-----24.0 IN LG-----BULK ITEM-----REF S-1053E8T24.0	1	G
		CESSNA STANDARD		
		ATTACHING PARTS -----		
	NAS397-16	CLAMP -----	2	G
		-----*		
- 13	0511319-1	BATTERY-AIRCRAFT-----	1	
- 14	0412007-1	STRAP-BATTERY GROUND -----	1	
		ATTACHING PARTS -----		
	AN4-5A	BOLT -----	1	
	AN970-4	WASHER-----	1	
	MS20365-428C	NUT -----	1	
		-----*		
- 15	0712603-2	CONTACTOR ASSEMBLY-MASTER SOLENOID INCLUDES DIODE	1	
		ATTACHING PARTS -----		
	AN3-3A	BOLT -----	2	
	AN960-10L	WASHER-----	2	
	0513196-1	SHIELD-MASTER SOLENOID WATER -----	1	L
	MS20365-1032C	NUT -----	2	
		-----*		
	0770657-1	DIODE ASSEMBLY-----	1	
		NOTE. FOR ACCESSORY KIT LISTINGS REFER TO PAGE 364		
		CONTINUED ON PAGE 330		

FIGURE AND INDEX NO.	PART NUMBER	DESCRIPTION	UNITS PER ASSY	USABLE ON CODE
88- 16	0413205-12	REGULATOR-VOLTAGE ----- ATTACHING PARTS -----	1	
	AN4-6A	BOLT -----	3	
	MS20365-428C	NUT -----	3	
		-----*		
		ROTATING BEACON INSTALLATION SEE FIGURE 93 -----	1	
- 17	NAS437-2C	HARNESS BAND UC 49165 -----	1	
- 18	NAS437-3C	HARNESS BAND UC 49166 -----	1	
- 19	S-353-1	SHIELD-WIRE BUNDLE CESSNA STANDARD -----	2	K
	S-1095-	SHIELD HALF-WIRE BUNDLE -----	2	M
		ATTACHING PARTS -----		
	S-1021Z-8-6	SCREW CESSNA STANDARD -----	1	
	NAS446-4-3	NUT TIN A1778-8Z-3 -----	1	
		-----*		
- 20	NAS43508	CLAMP TIN A3047A-8 -----	1	
		ATTACHING PARTS -----		
	S-1021Z-8-6	SCREW CESSNA STANDARD -----	1	
		-----*		
- 21	NAS43505	CLAMP TIN A3047A-5 -----	1	
		ATTACHING PARTS -----		
	S-1021Z-8-8	SCREW CESSNA STANDARD -----	1	
		-----*		
- 22	NAS43507	CLAMP TIN A3047A-7 -----	1	
		ATTACHING PARTS -----		
	S-1021Z-8-8	SCREW CESSNA STANDARD -----	1	
		-----*		
- 23	MS35489-11	GROMMET -----	1	
- 24	NAS437-1C	HARNESS BAND UC 49164 -----	2	
- 25	A3046A-6	CLAMP TIN -----	2	
		ATTACHING PARTS -----		
	S-1021Z-8-6	SCREW CESSNA STANDARD -----	1	
		-----*		
- 26	A3493-1	CLIP TIN -----	11	
- 27	A2980A-2	CLAMP TIN -----	1	
		ATTACHING PARTS -----		
	S-1021Z-8-6	SCREW CESSNA STANDARD -----	1	
		-----*		
- 28	A3493-012-1	CLIP TIN -----	2	
- 29	MS35489-4	GROMMET -----	1	
- 30	S-1091-2	FUSE-ELECTRIC CLOCK 2 AMP CESSNA STANDARD -----	1	J
	S-1090-18	FUSEHOLDER-ELECTRIC CLOCK -----CESSNA STANDARD-----	1	J
	S-1090-19	CAP-ELECTRIC CLOCK FUSE ----2 AMP----CESSNA STANDARD----	1	J
		A---172 SERIAL 28000 THRU 17249544		
		B---172 SERIAL 28000 THRU 36965		
		C---172 SERIAL 36966 THRU 46754		
		D---172 SERIAL 46755 THRU 17247746		
		E---172 SERIAL 28000 THRU 46678		
		F---172 SERIAL 46679 THRU 17249544		
		G---172 SERIAL 47155 THRU 17249544		
		H---172 SERIAL 28000 THRU 17247746		
		J---172 SERIAL 17247747 THRU 17249544		
		K---172 SERIAL 28000 THRU 17248734		
		L---172 SERIAL 17248392 THRU 17249544		
		M---172 SERIAL 17248735 THRU 17249544		
		NOTE. FOR ACCESSORY KIT LISTINGS REFER TO PAGE 364		

This page intentionally left blank.

Electrical (Cont)



175 SERIAL
55001 THRU 17557119

Figure 89. Fuselage Electrical Equipment Installation

FIGURE AND INDEX NO.	PART NUMBER	DESCRIPTION	UNITS PER ASSY	USABLE ON CODE
89-		FUSELAGE ELECTRICAL EQUIPMENT INSTALLATION-----	NP	A
- 1	AN2552-3A	GROUND SERVICE PLUG INSTALLATION -----	1	
- 2	AN510-10R16	RECEPTACLE-GROUND SERVICE PLUG -----	1	
- 3	MS20365-1032C	ATTACHING PARTS -----	2	
- 4	0513156-2	SCREW -----	2	
	CR763-4-2	NUT -----	1	
- 5	0312155-10	BRACKET-GROUND SERVICE PLUG -----	1	
- 6	0500032-3	ATTACHING PARTS -----	3	
	MS21919DG-6	RIVET CR -----	1	
- 6A	0513156-3	STRAP-GROUND -----	1	
	0850500-17	CABLE-BATTERY TO RECEPTACLE -----	1	
	AN253-2-225	ATTACHING PARTS -----	1	
- 7	0511309-1	CLAMP -----	1	
	0713511-1	LID ASSEMBLY-GROUND SERVICE PLUG -----	1	
	AN515-8R14	SPRING-GROUND SERVICE PLUG -----	1	
	AN960-8L	PIN-HINGE -----	1	
	NAS43-3-24	NAVIGATION LIGHTS FLASHER INSTALLATION -----	NP	
	MS20365-1032C	FLASHER -----	1	B
	S-1021Z-6-6	FLASHER -----	1	C
	NAS446-2-3	ATTACHING PARTS -----	3	B
	0812353-2	SCREW -----	3	B
		WASHER -----	3	B
		SPACER -----	3	B
		NUT -----	4	C
		SCREW CESSNA STANDARD -----	4	C
		NUT -----	4	C
- 8		CARTRIDGE-FLASHER -----	1	B
- 9		1 1/2 MINUTE FLARES INSTALLATION SEE FIG 90 -----	1	
- 10	0500037-2	LANDING LIGHT INSTALLATION--- SEE FIGURE 92 -----	1	
-10A	0500038-1	CABIN LIGHTS & SPEAKER INSTALLATION---SEE FIGURE 91 -----	NP	
- 11	0411023-7	GENERATOR INSTALLATION -----	1	
- 12	0413205-10	GENERATOR-35 AMP -----	1	
- 13	AN4-6A	PLACARD-35 AMP GENERATOR FUSE -----	2	
- 14	0511319-1	FUSE-35 AMP -----	1	
	0412007-1	REGULATOR-VOLTAGE 35 AMP-----	3	
	AN4-5A	ATTACHING PARTS -----	1	
	AN970-4	BOLT-----	1	
		BATTERY ASSEMBLY-AIRCRAFT -----	1	
		STRAP-BATTERY GROUND -----	1	
		ATTACHING PARTS -----	1	
		BOLT -----	1	
		WASHER -----	1	

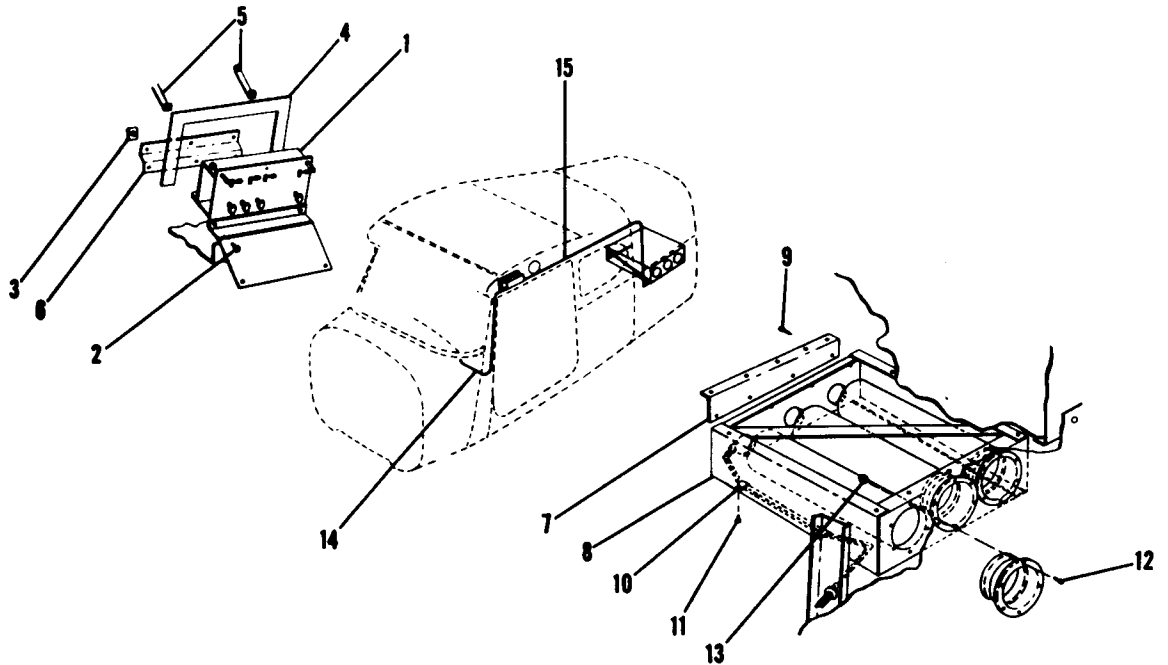
175 SERIAL 55001
THRU 17557119

NOTE. FOR ACCESSORY KIT LISTINGS REFER TO PAGE 364

CONTINUED ON PAGE 334

FIGURE AND INDEX NO.	PART NUMBER	DESCRIPTION	UNITS PER ASSY	USABLE ON CODE
89- 15	0712603-2	CONTACTOR ASSEMBLY-MASTER SOLENOID INCLUDES DIODE ---- ATTACHING PARTS	1	
	AN3-3A	BOLT -----	2	
	AN960-10L	WASHER-----	2	
	MS20365-1032C	NUT -----	2	
	0770657-1	DIODE ASSEMBLY-----	1	
- 16	0413205-12	REGULATOR-VOLTAGE CONTROL ----- ATTACHING PARTS	1	
	AN4-6A	BOLT -----	3	
		ROTATING BEACON INSTALLATION SEE FIGURE 93 -----	1	
- 17	S-353-1	SHIELD-FIREWALL CESSNA STANDARD-----	2	F
	S-1095-	SHIELD HALF-WIRE BUNDLE ----- ATTACHING PARTS	2	G
	S-1021Z-8-6	SCREW CESSNA STANDARD -----	2	
	NAS446-4-3	NUT TIN A1778-8Z-3 -----	2	
	S-354-4	GROMMET-FIREWALL-----CESSNA STANDARD -----	1	
- 18	MS35489-13	GROMMET -----	1	
	A3047A-8-92	CLAMP TIN ----- ATTACHING PARTS	2	
	S-1021Z-8-6	SCREW CESSNA STANDARD -----	1	
- 19	A3493-012-3	CLIP TIN -----	1	
- 20	S-353-1	SHIELD-FIREWALL CESSNA STANDARD-----	2	F
	S-1095-	SHIELD HALF-WIRE BUNDLE ----- ATTACHING PARTS	2	G
	S-1021Z-8-6	SCREW CESSNA STANDARD -----	1	
	NAS446-4-3	NUT TIN A1778-8Z-3 -----	1	
	S-354-4	GROMMET CESSNA STANDARD -----	1	
	MS35489-20	GROMMET -----	1	
	0713003-51	FAIRLEAD -----	1	
- 21	MS35489-19	GROMMET -----	1	
- 22	MS35489-17	GROMMET -----	5	
- 23	A3047A-7-92	CLAMP TIN ----- ATTACHING PARTS	3	
	S-1021Z-8-6	SCREW CESSNA STANDARD -----	1	
- 24	MS35489-11	GROMMET -----	1	
- 25	S-1091-2	FUSE-ELECTRIC CLOCK 2 AMP CESSNA STANDARD -----	1	E
	S-1090-18	FUSEHOLDER-ELECTRIC CLOCK ----2 AMP----CESSNA STANDARD----	1	E
	S-1090-19	CAP-FUSE 2 AMP CESSNA STANDARD-----	1	E
		A---175 SERIAL 55001 THRU 17557119		
		B---175 SERIAL 55001 THRU 56340		
		C---175 SERIAL 56341 THRU 17557119		
		E---175 SERIAL 17556778 THRU 17557119		
		F---175 SERIAL 55001 THRU 17557002		
		G---175 SERIAL 17557003 THRU 17557119		
		NOTE. FOR ACCESSORY KIT LISTINGS REFER TO PAGE 364		

Electrical Equipment (Cont)



172 SERIAL 28000 THRU 46754

Figure 90. 1 1/2 Minute Flares Installation

FIGURE AND INDEX NO.	PART NUMBER	DESCRIPTION	UNITS PER ASSY	USABLE ON CODE
90-		1 2 3 4 5 6 7		
- 1	R3M	1 1/2 MINUTE FLARES INSTALLATION-----	1	A
- 2	S-10212-4-6	SWITCH-FLARE IFS -----	1	
- 3	NAS395-1-3	ATTACHING PARTS -----	8	
- 4	0511007-5	SCREW CESSNA STANDARD -----	8	
- 5	0511007-3	NUT TIN A6187-42-3 -----	1	
- 6	0511007-4	BACKING-UPHOLSTERY -----	2	
- 7	0511007-6	BRACKET-UPPER -----	1	
- 8	1-1/2PF-11	BRACKET-LOWER -----	1	
- 9	AN545-6-5	SUPPORT -----	1	
		BRACKET ASSEMBLY-FLARE IFS -----	1	
		ATTACHING PARTS -----	4	
		SCREW -----	1	
	1-1/2PF-12	BRACKET-FLARE IFS -----	3	
	1-1/2-1-A-1	FLARE-1-1/2 MINUTE PARACHUTE-----IFS -----	2	
- 10	NAS435D5	CLAMP TIN A3047A-4-92 -----	2	
		ATTACHING PARTS -----	2	
- 11	S-10212-4-6	SCREW CESSNA STANDARD -----	18	
		SCREW -----	18	
- 12	AN515-6R8	NUT -----	1	
- 13	MS20365-632C	WIRE-CIRCUIT BREAKER TO SWITCH-----	1	
- 14	0500005-57	WIRE-SWITCH TO FLARE -----	1	
- 15	0500005-58	WIRE-SWITCH TO FLARE -----	1	
	0500005-59	WIRE-SWITCH TO FLARE -----	1	
	0500005-60	WIRE-SWITCH TO FLARE -----	1	
A---172 SERIAL 28000 THRU 46754				
NOTE. FOR ACCESSORY KIT LISTINGS REFER TO PAGE 364				

Electrical Equipment (Cont)

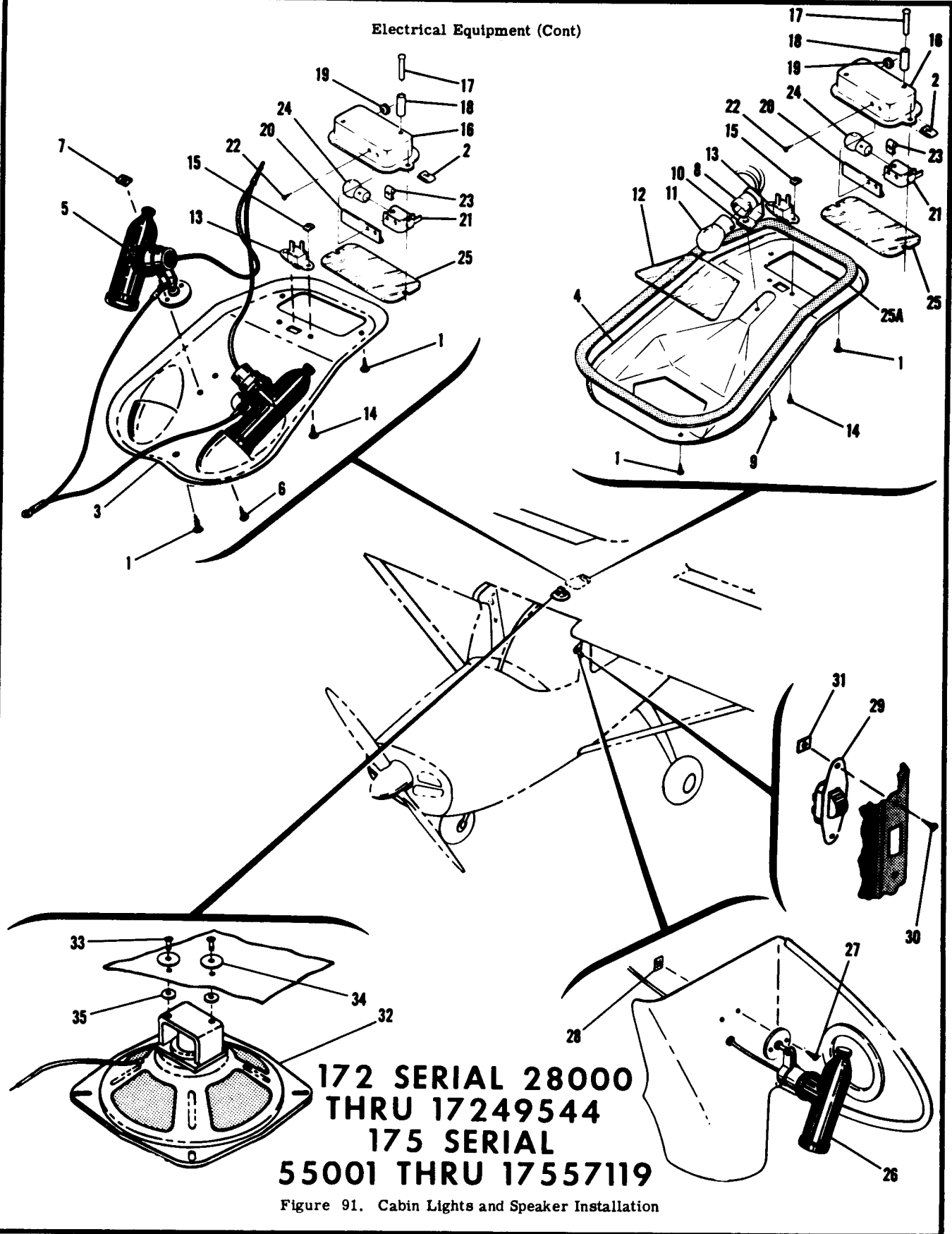
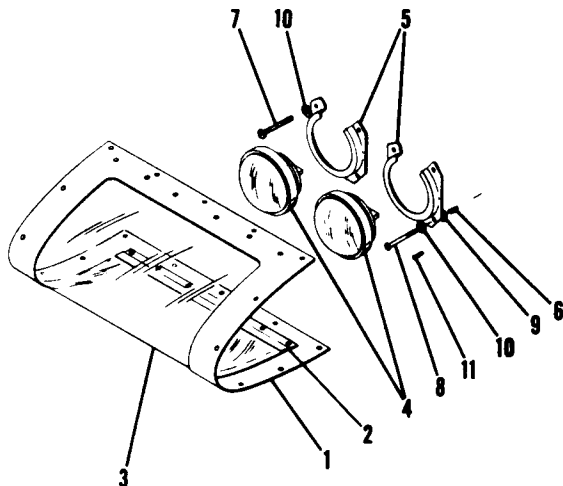


FIGURE AND INDEX NO.	PART NUMBER	DESCRIPTION	UNITS PER ASSY	USABLE ON CODE
		1 2 3 4 5 6 7		
91-		CABIN LIGHTS & SPEAKER INSTALLATION -----	NP	
	0710101-3	SHIELD ASSEMBLY-INSTRUMENTS -----	1	A
	0710103-4	LIGHT ASSEMBLY-INSTRUMENTS-----	1	C
	0710103-6	LIGHT ASSEMBLY-INSTRUMENTS-----	1	D
		ATTACHING PARTS -----		
- 1	S-1021Z-6-6	SCREW CESSNA STANDARD -----	4	
- 2	NAS395-1-3	NUT TIN A6187-4Z-3 -----	2	
		-----*		
- 3	0710101-1	COVER PLATE -----	1	A
- 4	0710103-1	COVER PLATE -----	1	C
	0710103-7	COVER PLATE -----	1	D
- 5	0713017-21	SPOTLIGHT ASSEMBLY -----	2	A
		ATTACHING PARTS -----		
- 6	S-1021Z-6-8	SCREW CESSNA STANDARD -----	4	A
- 7	NAS446-2-3	NUT TIN A1181-6Z-3 -----	4	A
		-----*		
- 8	MS15570-5	BULB -----	1	A
	0513208-1	SOCKET-----	1	B
		ATTACHING PARTS -----		
- 9	S-1021Z-6-6	SCREW CESSNA STANDARD -----	1	B
- 10	NAS446-2-3	NUT TIN A1181-6Z-3 -----	1	B
		-----*		
- 11	MS15584-2	BULB -----	1	B
- 12	0710103-2	LENS -----	1	B
- 13	0713029	SWITCH-----	1	B
		ATTACHING PARTS -----		
- 14	S-1021Z-6-6	SCREW CESSNA STANDARD -----	2	
- 15	NAS446-2-3	NUT TIN A1181-6Z-3 -----	2	
		-----*		
- 16	0413142-5	LIGHT ASSEMBLY-DOME -----	1	
	0413140-5	REFLECTOR-----	1	
		ATTACHING PARTS -----		
- 17	MS20470AD4	RIVET -----	2	
- 18	NAS42-4-48	SPACER -----	2	
		-----*		
- 19	MS35489-4	GROMMET -----	1	
- 20	0413140-2	RETAINER -----	1	
- 21	0413138	SOCKET -----	1	
		ATTACHING PARTS -----		
- 22	S-1021Z-4-4	SCREW CESSNA STANDARD -----	2	
- 23	NAS395-1-3	NUT TIN A6187-4Z-3 -----	2	
		-----*		
- 24	1816	BULB -----	1	
- 25	0413141	LENS -----	1	
-25A	1200130	PLATE-HEADLINER RETAINER -----	1	E
- 26	0713017-22	SPOTLIGHT ASSEMBLY-MAP -----	1	
		ATTACHING PARTS -----		
- 27	S-1021Z-6-8	SCREW CESSNA STANDARD -----	2	F
	AN515-6R8	SCREW -----	2	G
- 28	NAS446-2-3	NUT TIN A1181-6Z-3 -----	2	F
	MS20365-632C	NUT -----	2	G
	AN960-6	WASHER-----	2	G
		-----*		
- 29	MS15570-89	BULB-----MAZD 89 6CP -----	1	
	0713029	SWITCH-MAP LIGHT-----	1	
		ATTACHING PARTS -----		
- 30	S-1021Z-4-6	SCREW CESSNA STANDARD -----	2	
- 31	NAS446-1-3	NUT TIN A1776-4Z-3 -----	2	
		-----*		
- 32	0411062-4	SPEAKER-RADIO -----	1	
		ATTACHING PARTS -----		
- 33	AN515-8R5	SCREW -----	2	
- 34	S-350	WASHER-----CESSNA STANDARD-----	2	
- 35	AN970-3	WASHER-----	2	
		-----*		
		A---172 SERIALS 28000 THRU 36215		
		B---172 SERIALS 36216 THRU 17249544		
		175 SERIALS 55001 THRU 17557119		
		C---172 SERIALS 36216 THRU 36965		
		172 SERIAL 17247747 THRU 17249544		
		175 SERIAL 55001 THRU 17557119		
		D---172 SERIAL 36966 THRU 47746		
		E---172 SERIAL 17248425 THRU 17249544		
		175 SERIAL 17556991 THRU 17557119		
		F---172 SERIAL 28000 THRU 17248734		
		175 SERIAL 55001 THRU 17557002		
		G---172 SERIAL 17248735 THRU 17249544		
		175 SERIAL 17557003 THRU 17557119		

Electrical Equipment (Cont)



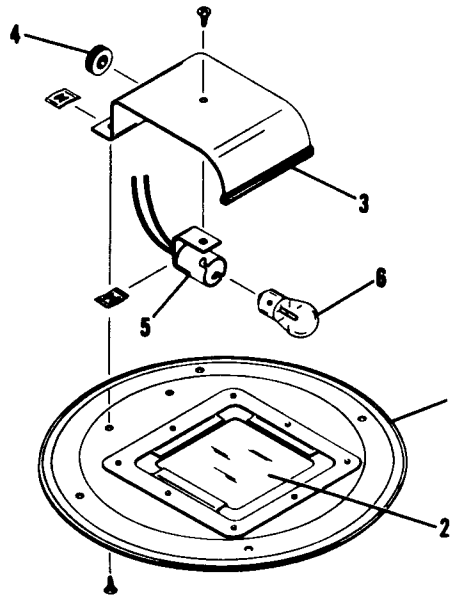
172 SERIAL 28000
THRU 17249544

175 SERIAL 55001
THRU 17557119

Figure 92. Landing Light Installation Kit

FIGURE AND INDEX NO.	PART NUMBER	DESCRIPTION	UNITS PER ASSY	USABLE ON CODE
92-		1 2 3 4 5 6 7 LANDING LIGHTS INSTALLATION -----	NP	
- 1	0523115	WINDOW ASSEMBLY-LANDING LIGHT -----	1	
- 2	0523115-3	RETAINER -----	2	
- 3	0523115-5	WINDOW-PLEXIGLASS -----	1	
- 4	0523118-1	LIGHT-LANDING -----	2	
		ATTACHING PARTS		
- 5	0423542-6	CHANNEL -----	1	
- 6	0713124-1	SPRING -----	8	
- 7	AN515-8R26	SCREW -----	6	
	AN515-8R26	SCREW -----	1	C
- 8	AN515-8R32	SCREW -----	2	D
	AN515-8R22	SCREW -----	7	C
	AN515-8R26	SCREW -----	8	D
- 9	AN960-8L	WASHER -----	8	B
- 10	AN960-10	WASHER -----	8	A
		-----*	AR	A
- 11	AN515-8R7	SCREW -----	1	
	MS20365-832C	NUT -----	1	
		A---172 SERIAL 28000 THRU 17249544		
		B---175 SERIAL 55001 THRU 17557119		
		C---172 SERIAL 28000 THRU 46175		
		D---172 SERIAL 46176 THRU 17249544		
NOTE. FOR ACCESSORY KIT LISTINGS REFER TO PAGE 364				

Electrical Equipment (Cont)

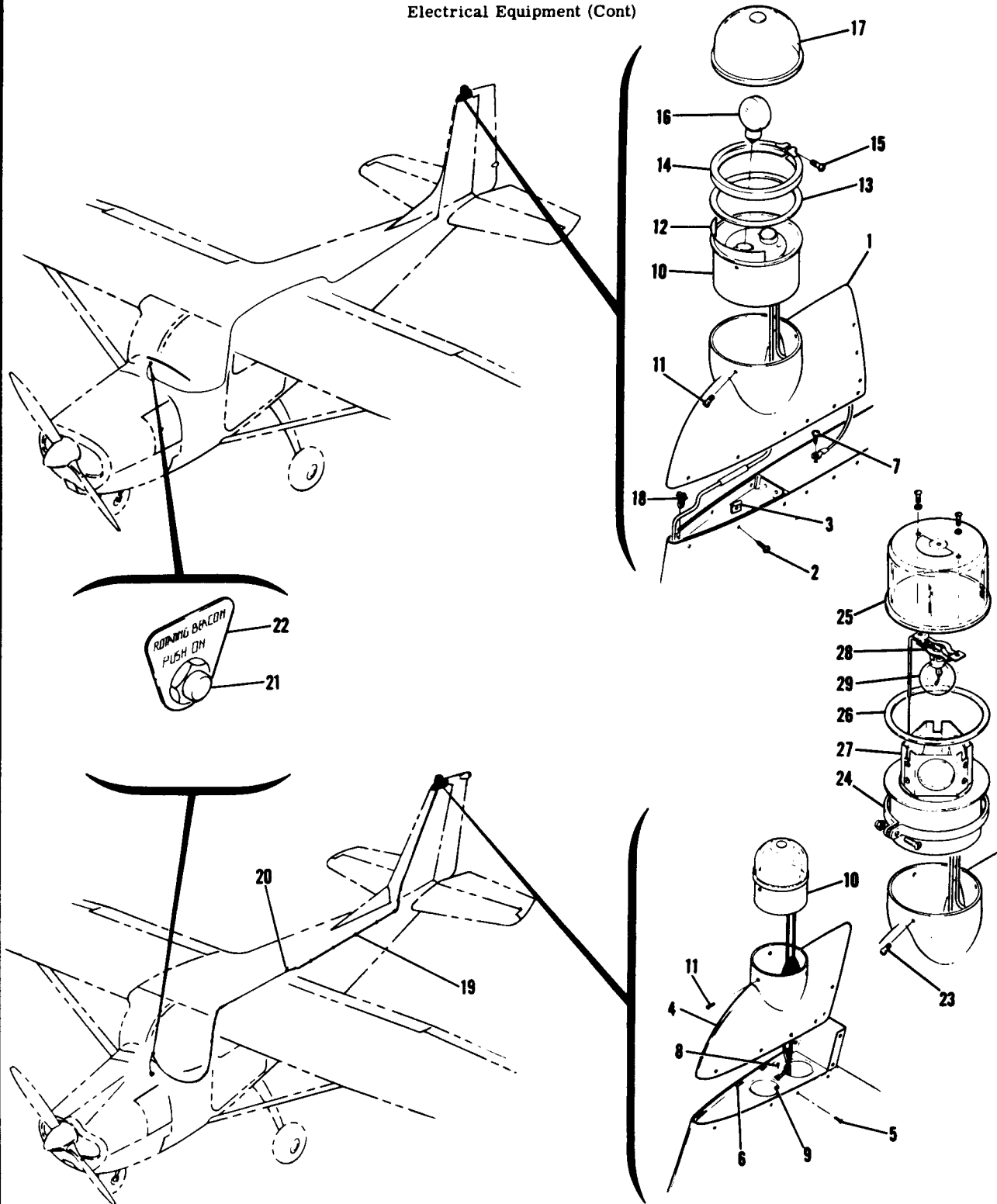


172 SERIAL 17248735 THRU 17249544
175 SERIAL 17557003 THRU 17557119

Figure 92A. Courtesy Light Installation

FIGURE AND INDEX NO.	PART NUMBER	DESCRIPTION	UNITS PER ASSY	USABLE ON CODE
92A-		1 2 3 4 5 6 7		
- 1	0521101-2	COURTESY LIGHT INSTALLATION -----	2	A
	S-10212-8-6	PLATE ASSEMBLY-COURTESY LIGHT -----	2	
		ATTACHING PARTS -----		
		SCREW CESSNA STANDARD -----	4	
		-----*		
- 2	0521101-6	LENS -----	1	
	0700616-1	SHIELD ASSEMBLY-COURTESY LIGHT -----	2	
		ATTACHING PARTS -----		
	S-10212-6-8	SCREW CESSNA STANDARD -----	2	
	NAS446-2-3	NUT -----	2	
		-----*		
- 3	S-1055-1	CHANNEL 2.25 IN LONG----- CESSNA STANDARD -----	1	
		BULK ITEM REF S1055-1-2.25 -----		
- 4	MS35489-134	GROMMET -----	1	
- 5	0513208-1	SOCKET ASSEMBLY -----	1	
		ATTACHING PARTS -----		
	S-10212-6-6	SCREW CESSNA STANDARD -----	1	
	NAS446-2-3	NUT -----	1	
		-----*		
- 6	MS15584-2	LAMP -----	2	
		A---172 SERIAL 17248735 THRU 17249544		
		175 SERIAL 17557003 THRU 17557119		

Electrical Equipment (Cont)



172 SERIAL 28000 THRU 17249544
175 SERIAL 55001 THRU 17557119

Figure 93. Rotating Beacon Installation

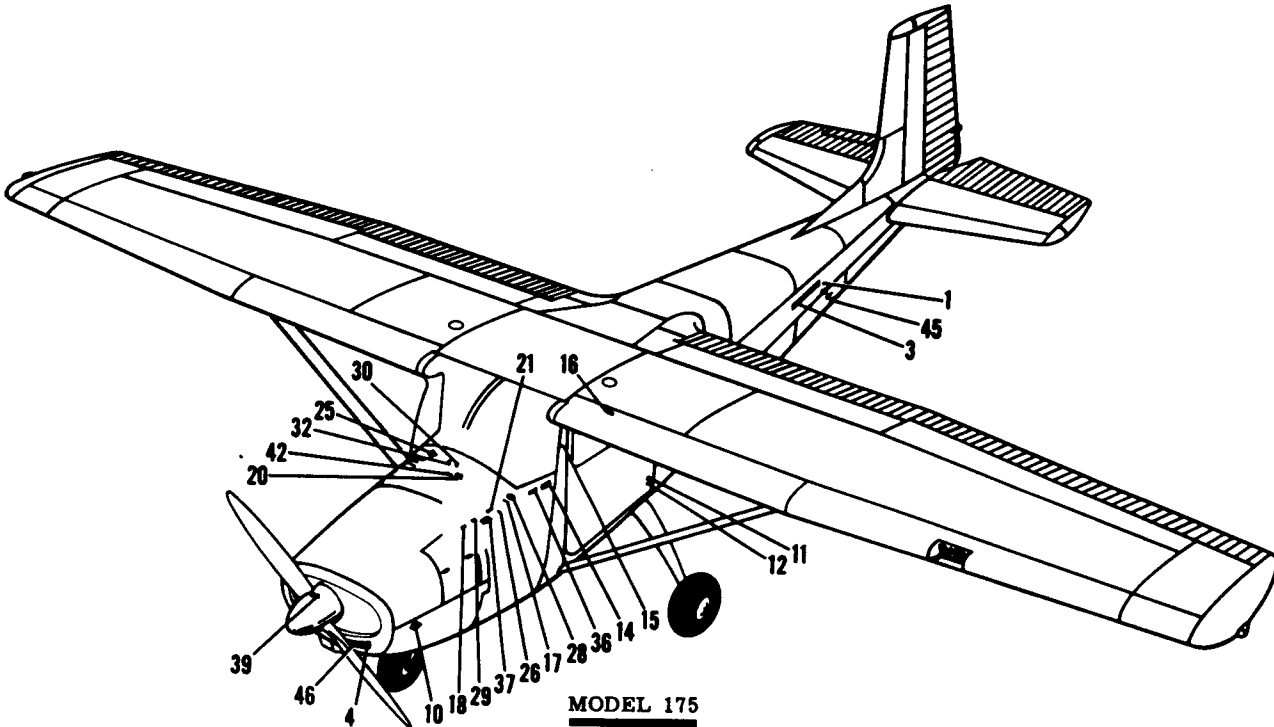
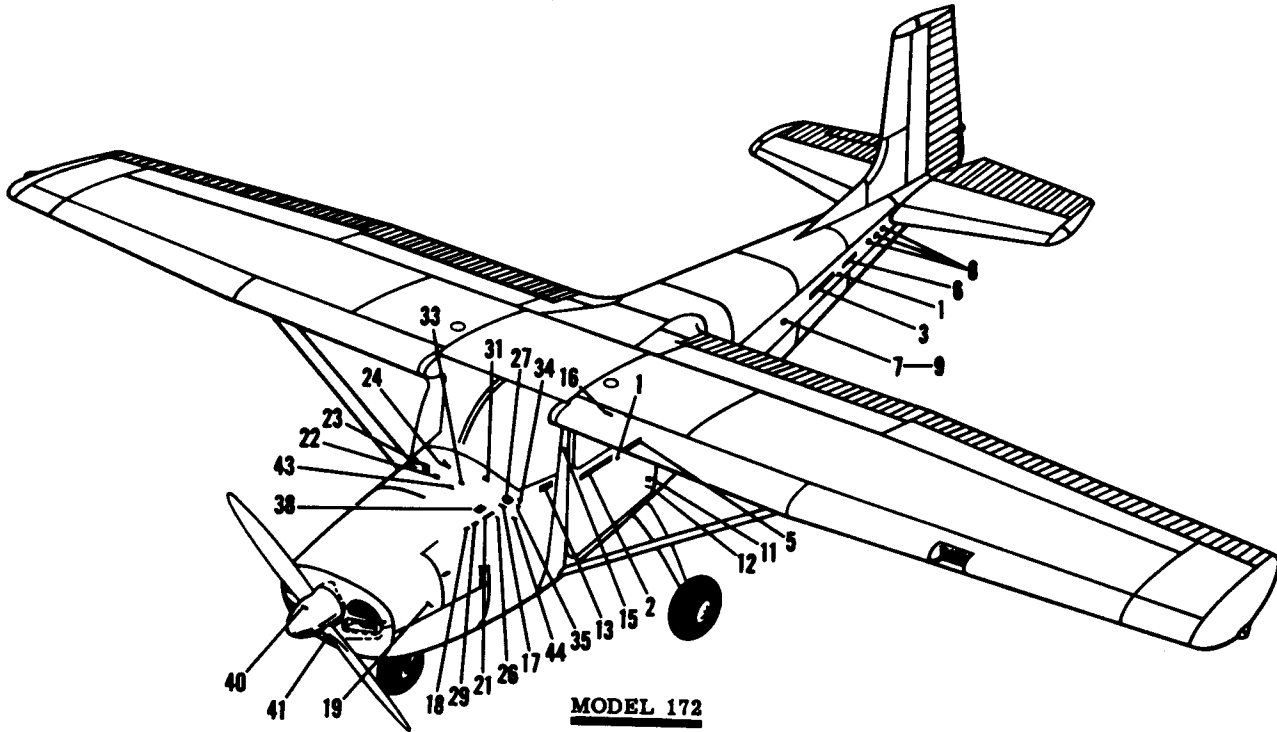
FIGURE AND INDEX NO.	PART NUMBER	DESCRIPTION	UNITS PER ASSY	USABLE ON CODE
		1 2 3 4 5 6 7		
93-		ROTATING BEACON INSTALLATION-----	NP	
- 1	0531004-3	MOUNT ASSEMBLY-----	1	A
		ATTACHING PARTS-----		
- 2	S-1021A-6-6	SCREW CESSNA STANDARD-----	12	
- 3	A-1804-6Z-3	NUT TIN-----	12	
		*-----		
- 4	0531007-3	TIP-ROTATING BEACON --- 172 SERIAL 28000	1	B
		ATTACHING PARTS THRU 17249544 -----		
- 5	S-1021Z-6-4	SCREW CESSNA STANDARD-----	12	
- 6	NAS445-2	NUT-----	8	
		*-----		
- 7	S-1021Z-6-6	SCREW-GROUND CESSNA STANDARD-----	1	A
- 8	AN515-8R8	SCREW-GROUND-----	1	B
- 9	MS20364-832C	NUT-GROUND-----	1	B
- 10	0531003-6	ROTATING BEACON ASSEMBLY WHEN EXHAUSTED-----	1	G
		USE 0700120-1-----		
		ATTACHING PARTS-----		
- 11	AN515-6R6	SCREW-----	3	
	AN960-6L	WASHER-----	3	
		*-----		
- 12	31111-1	BAFFLE GMC-----	1	
- 13	A-7632	GASKET GMC-----	1	
- 14	A-7635	BAND-LENS RETAINER GMC-----	1	
- 15	A-7634	SCREW GMC-----	1	
- 16	11105B	LAMP-REFLECTOR-----GMC	2	
- 17	A-7942	LENS-----GMC-----	1	
- 18	A3493-012-1	CLAMP TIN-----	1	A
- 19	MS35489-6	GROMMET-----	5	G
	MS35489-6	GROMMET-----	5	H
- 20	MS21919DG3	CLAMP-----	1	C
	S-1021Z-8-6	SCREW CESSNA STANDARD-----	1	C
	NAS446-4-3	NUT-----	1	C
- 21	D7271-1-10	SWITCH & CIRCUIT BREAKER SPT-----	1	A
	0513215-1	CIRCUIT BREAKER ASSEMBLY-----	1	
- 22	0513153-8	PLACARD-----	1	D
	0513153-3	PLACARD-----	1	E
	0513163-4	PLACARD-----	1	F
	0700120-1	ROTATING BEACON ASSEMBLY-----	1	H
		ATTACHING PARTS-----		
- 23	AN515-6R6	SCREW-----	3	
		*-----		
- 24	WRM-25	CLAMP WHEL-----	1	
- 25	WRM-10	DOME ASSEMBLY WHEL-----	1	
- 26	WRM-30	GASKET-DOME WHEL-----	1	
- 27	WRM-20	LENS ASSEMBLY WHEL-----	1	
- 28	WRM-15	SOCKET ASSEMBLY WHEL-----	1	
- 29	WRM-44-12	BULB-----WHEL-----	1	
		*-----		
		A---172 SERIAL 28000 THRU 46754		
		175 SERIAL 55001 THRU 56238		
		B---172 SERIAL 46755 THRU 17249544		
		175 SERIAL 56239 THRU 17557119		
		C---172 SERIAL 46755 THRU 17249544		
		D---172 SERIAL 28000 THRU 36965		
		E---175 SERIAL 55001 THRU 56777		
		F---172 SERIAL 36966 THRU 47746		
		G---172 SERIAL 28000 THRU 17248789		
		175 SERIAL 55001 THRU 17557009		
		H---172 SERIAL 17248790 THRU 17249544		
		175 SERIAL 17557010 THRU 17557119		
		*-----		
		NOTE. FOR ACCESSORY KIT LISTINGS REFER TO PAGE 364		

DELETED NOTICE

**ELECTRICAL WIRING DATA ORIGINALLY SHOWN ON FIGURES 94 THRU 97
HAVE BEEN DELETED FROM THIS CATALOG.
CONSULT MAINTENANCE MANUAL FOR WIRING DIAGRAMS & WIRE TABLES.**

This page intentionally left blank.

Placards and Name Plates

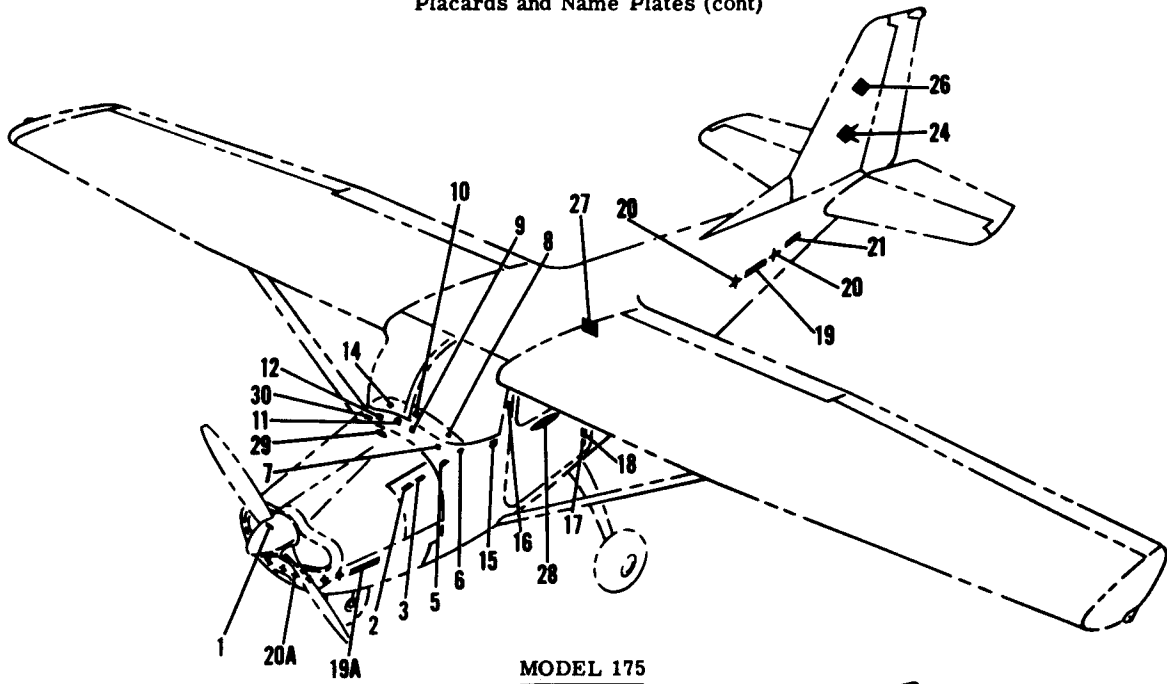


172 SERIAL 28000 THRU 47746
175 SERIAL 55001 THRU 56777

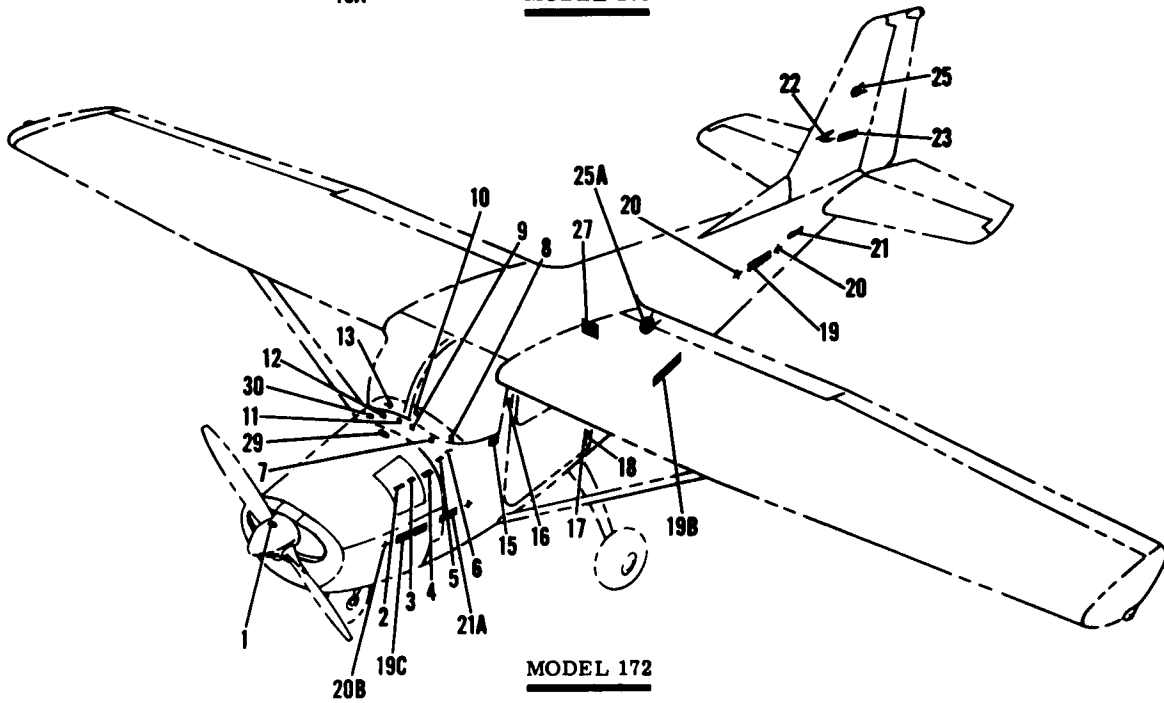
Figure 98. Placards and Name Plates Installation

FIGURE AND INDEX NO.	PART NUMBER	DESCRIPTION	UNITS PER ASSY	USABLE ON CODE
		1 2 3 4 5 6 7		
98-		PLACARDS AND NAME PLATES INSTALLATION-----	NP	
- 1	0500030	PLACARD-COPYRITE-----	AR	M
- 2	0500027-4	NAME PLATE-CESSNA -----	2	C
- 3	0500027-4	NAME PLATE-CESSNA -----	2	D
	0500027-2	NAME PLATE-CESSNA -----	2	P
	0500027-4	NAME PLATE-CESSNA -----	2	R
- 4	0500027-4	NAME PLATE-CESSNA -----	1	E
- 5	0500027-6	NAME PLATE-172 -----	2	C
- 6	0500027-6	NAME PLATE-172 -----	2	F
- 7	0500026	NAME PLATE-INSIGNIA LH -----	1	C
	0500026-1	NAME PLATE-INSIGNIA RH -----	1	C
- 8	0500026	NAME PLATE-INSIGNIA LH -----	3	G
	0500026-1	NAME PLATE-INSIGNIA RH -----	1	G
- 9	0500051-1	NAME PLATE-INSIGNIA LH -----	1	H
	0500051-2	NAME PLATE-INSIGNIA RH -----	1	A
- 10	0500046-1	NAME PLATE-INSIGNIA LH -----	1	B
	0500046-2	NAME PLATE-INSIGNIA RH -----	1	B
- 11	0413261	PLACARD-M.A.A. -----	1	
- 12	0713047	PLACARD-FINISH & TRIM-----	1	
- 13	0511310-1	PLACARD-OPERATIONAL LIMITATIONS -----	1	A
- 14	0513059-1	PLACARD-OPERATIONAL LIMITATIONS -----	1	B
- 15	0713210-4	PLACARD-MAP LIGHT -----	1	
- 16	0512120-1	PLACARD-BAGGAGE LOAD LIMITS -----	1	
- 17	0511168	PLACARD-BOTH TANKS ON-----	1	
- 18	0510188	PLACARD-AVOID SLIPS -----	1	
- 19	0513022-1	PLACARD-DRAIN DAILY -----	1	A
- 20	054356-1	PLACARD-STRAINER DRAIN -----	1	K
- 21	0413179	PLACARD-TAKE OFF RANGE -----	1	
- 22	0411749-5	PLACARD-SPARE FUSES -----	1	J
- 23	0413114-4	PLACARD-SERVICE INFORMATION -----	1	A
- 24	0713213	NAME PLATE-INSIGNIA -----	1	J
- 25	0500053-1	NAME PLATE-INSIGNIA -----	1	L
- 26	0411422	PLACARD-TAB POSITION INDICATOR-----	1	
- 27	0511167-4	PLACARD-FUEL SELECTION -----	1	A
- 28	0511167-8	PLACARD-FUEL SELECTION -----	1	N
	0511167-10	PLACARD-FUEL SELECTION -----	1	O
- 29	0510191	PLACARD-FLAP INSTRUCTIONS -----	1	
- 30	0513153-2	PLACARD-OIL DILUTION -----	1	B
- 31	0550152	PLACARD-OIL DILUTION -----	1	A
- 32	0513153-3	PLACARD-ROTATING BEACON -----	1	B
- 33	0513153-8	PLACARD-ROTATING BEACON -----	1	J
- 34	0513163-4	PLACARD-ROTATING BEACON -----	1	H
- 35	0513163-2	PLACARD-LANDING LIGHT -----	1	H
- 36	0513155-1	PLACARD-STALL WITH FLOATS -----	1	N
- 37	0513155-2	PLACARD-RETRACT WATER RUDDER -----	1	N
	0513219-4	PLACARD -----	1	O
- 38	0513219-5	PLACARD -----	1	P
- 39	0552110-1	PLACARD-WINTERIZATION-----	1	Q
- 40	0552102	PLACARD-WINTERIZATION-----	1	J
- 41	0552103	PLACARD-WINTERIZATION-----	1	J
- 42	0500038-1	PLACARD-35 AMP FUSE -----	1	B
- 43	0500048-1	PLACARD-35 AMP FUSE -----	1	J
- 44	0513169-2	PLACARD-35 AMP FUSE -----	1	H
- 45	0500054-3	DART-LH -----	4	N
	0500054-3	DART-RH -----	4	N
- 46	0500068-1	LETTERING-SKYLARK -----	1	R
		A---172 SERIAL 28000 THRU 47746		
		B---175 SERIAL 55001 THRU 56777		
		C---172 SERIAL 28000 THRU 36215		
		D---172 SERIAL 36216 THRU 46754		
		175 SERIAL 55001 THRU 56777		
		E---175 SERIAL 55001 THRU 55703		
		F---172 SERIAL 36216 THRU 47746		
		G---172 SERIAL 36216 THRU 36965		
		H---172 SERIAL 36966 THRU 47746		
		J---172 SERIAL 28000 THRU 36965		
		K---175 SERIAL 55279 THRU 55437		
		L---175 SERIAL 55704 THRU 56777		
		M---172 SERIAL 28000 THRU 47746		
		175 SERIAL 55001 THRU 56238		
		N---175 SERIAL 55001 THRU 56238		
		O---175 SERIAL 56239 THRU 56777		
		P---172 SERIAL 46755 THRU 47746		
		Q---172 SERIAL 36966 THRU 47746		
		175 SERIAL 55001 THRU 56238		
		R---175 SKYLARK SERIAL 56239 THRU 56777		

Placards and Name Plates (cont)



MODEL 175



MODEL 172

172 SERIAL 17247747 THRU 17249544
175 SERIAL 17556778 THRU 17557119

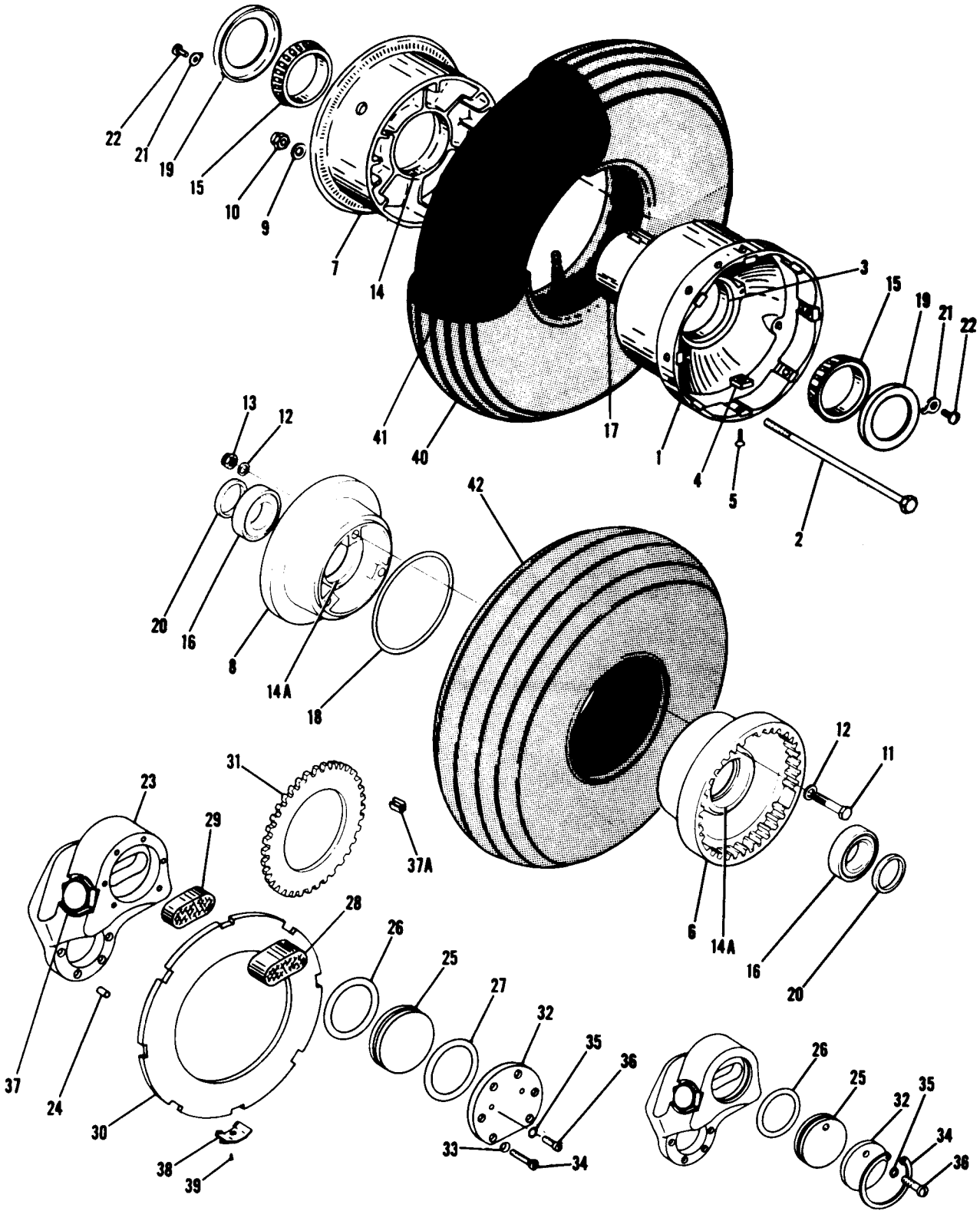
Figure 98A. Placards and Name Plates Installation

FIGURE AND INDEX NO.	PART NUMBER	DESCRIPTION	UNITS PER ASSY	USABLE ON CODE
		1 2 3 4 5 6 7		
98A-		PLACARDS AND NAME PLATES INSTALLATIONS		
- 1	0552110-1	PLACARD-WINTERIZATION----- 172 SERIAL	NP	A
- 2	0510188	PLACARD-AVOID SLIPS-----	1	
- 3	0510191	PLACARD-FLAP INSTRUCTIONS----- 17247747 THRU	1	
- 4	0513219-6	PLACARD-172 FLOAT PLANE-----	1	F
	0513219-8	PLACARD-172 FLOATPLANE----- 17249544	1	G
- 5	0413179	PLACARD-TAKE OFF RANGE-----	1	
- 6	0411422	PLACARD-TAB POSITION INDICATOR-----	1	
- 7	0511168	PLACARD-BOTH TANKS ON-----	1	
- 8	0511167-12	PLACARD-FUEL SELECTION 39 GAL-19.5 GAL-----	1	B
	0511167-10	PLACARD-FUEL SELECTION 42 GAL-21 GAL-----	1	H
	0511167-14	PLACARD-FUEL SELECTION 41.5 GAL-20.75 GAL-----	1	J
- 9	0513153-5	PLACARD-MARKER BEACON-----	1	
- 10	0513153-2	PLACARD-OIL DILUTION----- 175 SERIAL	1	
- 11	0500038-1	PLACARD-35 AMP FUSE-----	1	
- 12	0513218-2	PLACARD-SERVICE INFORMATION----- 17556778 THRU	1	
- 13	0500052-1	NAME PLATE-INSIGNIA-----	1	B
- 14	0500053-1	NAME PLATE-INSIGNIA----- 17557119	1	C
- 15	0513059-1	PLACARD-OPERATIONAL LIMITATIONS 175-----	1	H
	0511474-1	PLACARD-OPERATIONAL LIMITATIONS-175C-----	1	J
	0511310-1	PLACARD-OPERATIONAL LIMITATIONS 172-----	1	F
	0511310-2	PLACARD-OPERATIONAL LIMITATIONS 172C-----	1	G
	0700319-13	PLACARD-WINTERIZATION KIT-----	1	
- 16	0713210-4	PLACARD-MAP LIGHT-----	1	
- 17	0713047	PLACARD-FINISH & TRIM-----	1	
- 18	S-1112-1	-----	1	
- 19	0500085-1	NAME PLATE-M.A.A. CESSNA STANDARD-----	1	L
	0500085-1	NAME PLATE-CESSNA LH-----	1	L
-19A	0500085-1	NAME PLATE-CESSNA RH-----	1	J
	0500085-1	NAME PLATE-CESSNA LH-----	1	J
-19B	0500085-1	NAME PLATE-CESSNA RH-----	1	K
	0500085-1	NAME PLATE-CESSNA LH-----	1	K
-19C	0500085-1	NAME PLATE-CESSNA RH-----	1	G
	0500085-1	NAME PLATE-CESSNA LH-----	1	L
- 20	0500085-2	NAME PLATE-INSIGNIA LH-----	2	L
	0500085-2	NAME PLATE-INSIGNIA RH-----	2	L
-20A	0500085-2	NAME PLATE INSIGNIA FRONT OF COWL-----	9	J
-20B	0500085-2	NAMEPLATE INSIGNIA LH-----	2	G
	0500085-2	NAMEPLATE INSIGNIA RH-----	2	F
- 21	0500091-4	NAME PLATE-172 LH-----	1	F
	0500091-4	NAME PLATE-172 LH-----	1	F
-21A	0500091-4	NAME PLATE-172 LH-----	1	G
	0500091-4	NAME PLATE-172 RH-----	1	G
	0500091-3	NAME PLATE-175 LH-----	1	C
	0500091-3	NAME PLATE-175 RH-----	1	C
- 22	0500109-1	NAME PLATE-INSIGNIA LH-----	1	D
	0500109-2	NAME PLATE-INSIGNIA RH-----	1	D
- 23	0500110-1	NAME PLATE-SKYHAWK LH-----	1	D
	0500110-1	NAME PLATE-SKYHAWK RH-----	1	D
- 24	0500094-1	NAME PLATE-INSIGNIA LH-----	1	E
	0500094-2	NAME PLATE-INSIGNIA RH-----	1	E
- 25	0500051-3	NAME PLATE-INSIGNIA LH-----	1	F
	0500051-4	NAME PLATE-INSIGNIA RH-----	1	F
-25A	0500051-3	NAME PLATE-INSIGNIA LH-----	1	G
	0500051-4	NAME PLATE-INSIGNIA RH-----	1	G
- 26	0500093-1	NAME PLATE-INSIGNIA LH-----	1	C
	0500093-2	NAME PLATE-INSIGNIA RH-----	1	C
		PLACARDS-AUXILIARY FUEL SEE FIGURE 79A-----		

CONTINUED ON PAGE 348

FIGURE AND INDEX NO.	PART NUMBER	DESCRIPTION	UNITS PER ASSY	USABLE ON CODE
98A- 27	0710032-3	1 2 3 4 5 6 7 PLACARD-BAGGAGE -----	1	L
	0512166-3	PLACARD ASSEMBLY-BAGGAGE AND/OR AUXILIARY SEAT PASSENGER	1	M
- 28	0500090-1	NAME PLATE-SKYLARK ON LH & RH DOOR -----	2	J
- 29	0713724-1	MEDALLION-ANNIVERSARY MODEL -----	1	M
- 30	0513153-6	PLACARD-PITOT HEAT -----	1	A
	0713705-4	PLACARD-VACUUM LIGHTS-PRESS TO TEST----- LOCATED ON FLOATING INSTRUMENT PANEL	1	M
		PLACARDS-WHEEL FAIRINGS SEE FIGURE 34A -----		
		A---172 SERIAL 17247747 THRU 17249544		
		175 SERIAL 17556778 THRU 17557119		
		B---172 SERIAL 17247747 THRU 17249544		
		C---175 SERIAL 17556778 THRU 17557119		
		D---172 SKYHAWK SERIAL 17247747 THRU 17249544		
		E---175 SKYLARK SERIAL 17556778 THRU 17557119		
		F---172 SERIAL 17247747 THRU 17248734		
		G---172 SERIAL 17248735 THRU 17249544		
		H---175 SERIAL 17556778 THRU 17557002		
		J---175 SERIAL 17557003 THRU 17557119		
		K---172 SKYHAWK SERIAL 17248735 THRU 17249544		
		L---172 SERIAL 17247747 THRU 17248734		
		175 SERIAL 17556778 THRU 17557002		
		M---172 SERIAL 17248735 THRU 17249544		
		175 SERIAL 17557003 THRU 17557119		

This page intentionally left blank.



172 SERIAL 28000 THRU 17249544
175 SERIAL 55001 THRU 17557119

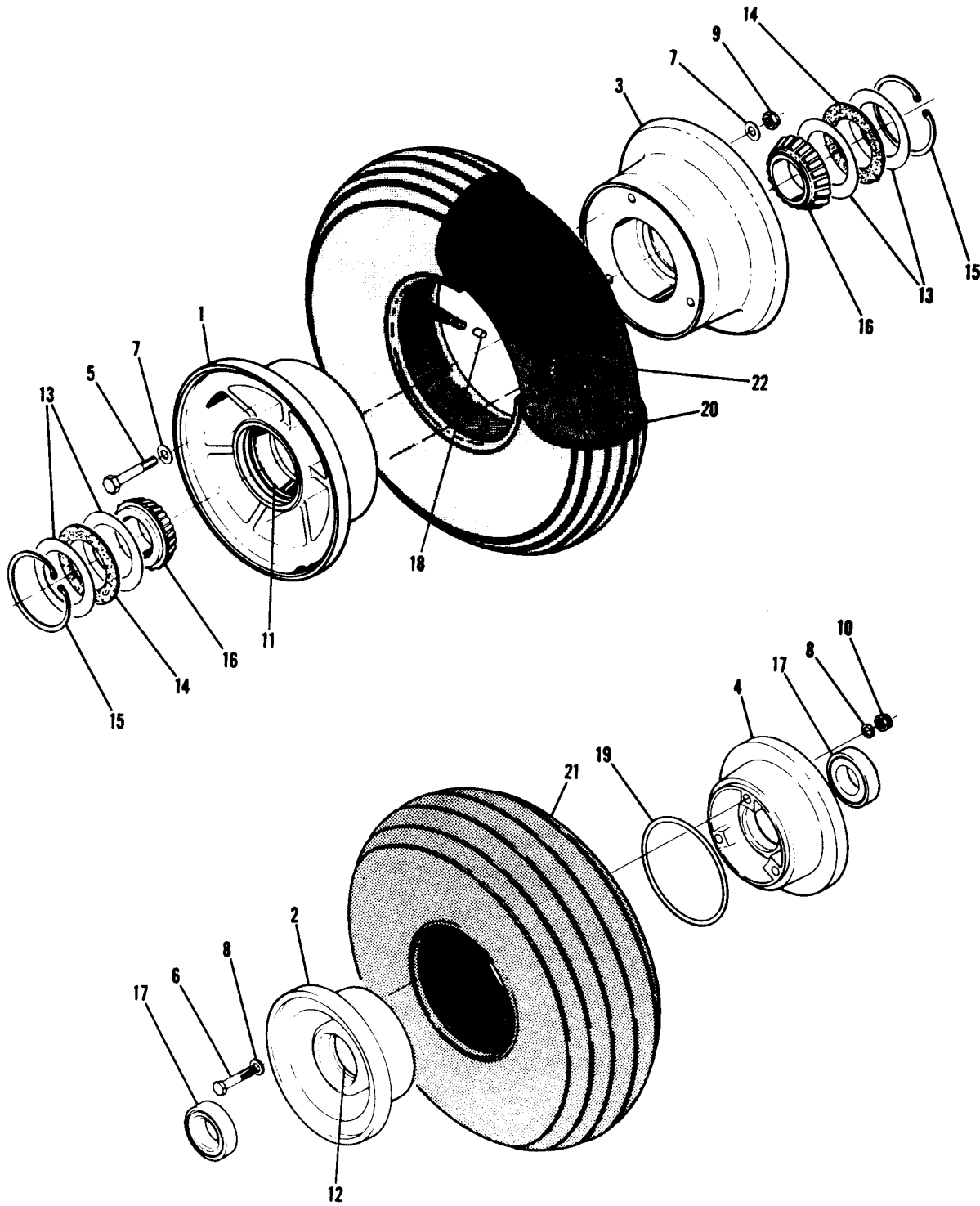
Figure 99. Main Wheel and Brake Assembly

FIGURE AND INDEX NO.	PART NUMBER	DESCRIPTION	UNITS PER ASSY	USABLE ON CODE
		1 2 3 4 5 6 7		
99-		WHEEL & BRAKE ASSEMBLY-MAIN LANDING GEAR -----	NP	
	0441016-1	WHEEL ASSEMBLY-MAIN LANDING GEAR GY 95-3472 -----	1	A
	0541160-13	WHEEL ASSEMBLY-MAIN LANDING GEAR GY9532673 -----	1	B
- 1	95-3474	WHEEL SUBASSEMBLY-INBOARD HALF GY -----	1	A
- 2	AN4-47A	BOLT -----	3	
- 3	95-0477	CUP-BEARING GY -----	1	
- 4	9520101	KEY-DISC DRIVE GY -----	8	
		ATTACHING PARTS -----		
- 5	9520657	SCREW-DISC DRIVE KEY GY -----	1	
		-----*		
- 6	9524201	WHEEL SUBASSEMBLY-INBOARD HALF GY -----	1	B
- 7	95-2313	WHEEL SUBASSEMBLY-OUTBOARD HALF GY -----	1	A
- 8	9524202	WHEEL SUB ASSEMBLY-OUTBOARD HALF GY -----	1	B
		ATTACHING PARTS -----		
- 9	95-5219	WASHER GY -----	3	A
- 10	95-1567	NUT GY -----	3	A
- 11	AN4-13A	BOLT -----	3	B
- 12	AN960-416	WASHER -----	6	B
- 13	22-FH-428	NUT SPS -----	3	B
		-----*		
- 14	95-0477	CUP-BEARING GY -----	1	A
-14A	13830	CUP-BEARING TI -----	1	B
- 15	95-0476	CONE-BEARING GY -----	2	A
- 16	13889	CONE-BEARING TI -----	2	B
- 17	9521698	SPACER-HUB GY -----	1	A
- 18	AN6230B28	O RING -----	1	B
- 19	95-1043	RING-BEARING RETAINER GY -----	2	A
- 20	9524218	RING-BEARING RETAINER GY -----	2	B
- 21	95-2243	TERMINAL-LOCKING GY -----	4	A
		ATTACHING PARTS -----		
- 22	95-2244	SCREW GY -----	1	
		-----*		
	0541103-52	BRAKE ASSEMBLY -----	1	A
	0541161-1	BRAKE ASSY GY9532278 WHEN EXHAUSTED USE 0541161-2 -----	1	C
	0541161-2	BRAKE ASSEMBLY GY 9532181 -----	1	D
- 23	0541103-50	HOUSING ASSEMBLY -----	1	A
- 24	9521184	BUSHING-----GY -----	3	A
	9541458	HOUSING GY -----	1	B
	9521184	BUSHING GY -----	1	B
- 25	9510155	PISTON GY -----	1	A
	9524223	PISTON GY -----	1	B
- 26	AN6230B2	O RING -----	1	
- 27	AN6230B3	O RING GY -----	1	
- 28	9511269	LINING-PISTON GY -----	1	
- 29	9511271	LINING-PISTON GY -----	1	
- 30	9530287	DISC-BRAKE GY -----	1	A
- 31	9532277	DISC-BRAKE GY -----	1	B
- 32	9510731	CYLINDER HEAD GY -----	1	A
	9524209	CYLINDER HEAD GY -----	1	C
	9524343	CYLINDER HEAD GY -----	1	D
		ATTACHING PARTS -----		
- 33	95-4909	WASHER GY -----	6	A
- 34	95-5163	SCREW GY -----	6	A
	AN960-10L	WASHER -----	6	B
	95-7126	BOLT-----GY -----	6	B
	NAS669-212	SNAP RING-----	1	D
		-----*		
- 35	9510957	SEAL-BLEEDER GY -----	2	C
	511846-4	SEAL-BLEEDER GY -----	2	D
- 36	95-5195	SCREW-BLEEDER GY -----	2	A
	AN505-8R5	SCREW-BLEEDER -----	2	C
	AN502-10-6	SCREW-BLEEDER GY -----	2	D
- 37	9520448	PLUG-DRAIN GY -----	1	
	95-5761	GASKET-DRAIN GY -----	2	A
	AN6290-4	GASKET-DRAIN -----	1	B

CONTINUED ON PAGE 352

FIGURE AND INDEX NO.	PART NUMBER	DESCRIPTION							UNITS PER ASSY	USABLE ON CODE
		1	2	3	4	5	6	7		
99-37A	9524463	CLIP-DISC-----GY	-----	-----	-----	-----	-----	-----	3	B
- 38	9523482	CLIP-DISC-----GY	-----	-----	-----	-----	-----	-----	4	A
		ATTACHING PARTS								
- 39	95-5383	STUD-----GY	-----	-----	-----	-----	-----	-----	1	A
		-----*								
- 40	0441016-12	TIRE-6.00X6 4 PLY	-----	-----	-----	-----	-----	-----	1	A
- 41	0441016-13	TUBE-6.00X6-----	-----	-----	-----	-----	-----	-----	1	A
- 42	S-1345-3	TIRE-TUBELESS 6.00 X 6 CESSNA STANDARD	-----	-----	-----	-----	-----	-----	1	B
		A---172 SERIAL 28000 THRU 46420								
		175 SERIAL 55001 THRU 55875								
		B---172 SERIAL 46421 THRU 17249544								
		175 SERIAL 55876 THRU 17557119								
		C---172 SERIAL 46421 THRU 47303								
		175 SERIAL 55876 THRU 56554								
		D---172 SERIAL 47304 THRU 17249544								
		175 SERIAL 56555 THRU 17557119								
		NOTE. WHEN ORDERING 9541458 HOUSING ALSO ORDER 9521184								
		*NOTE. WHEN ORDERING THIS PART PRIOR TO 172 SERIAL 47295 OR 175 SERIAL 56550 ALSO ORDER PARTS MARKED %.								
		NOTE. □ WHEN ORDERING THIS PART FOR AIRPLANES PRIOR TO 172 SERIAL 17248702 OR 175 SERIAL 17557003 ALSO ORDER PARTS MARKED * ON FIGURE 34A.								

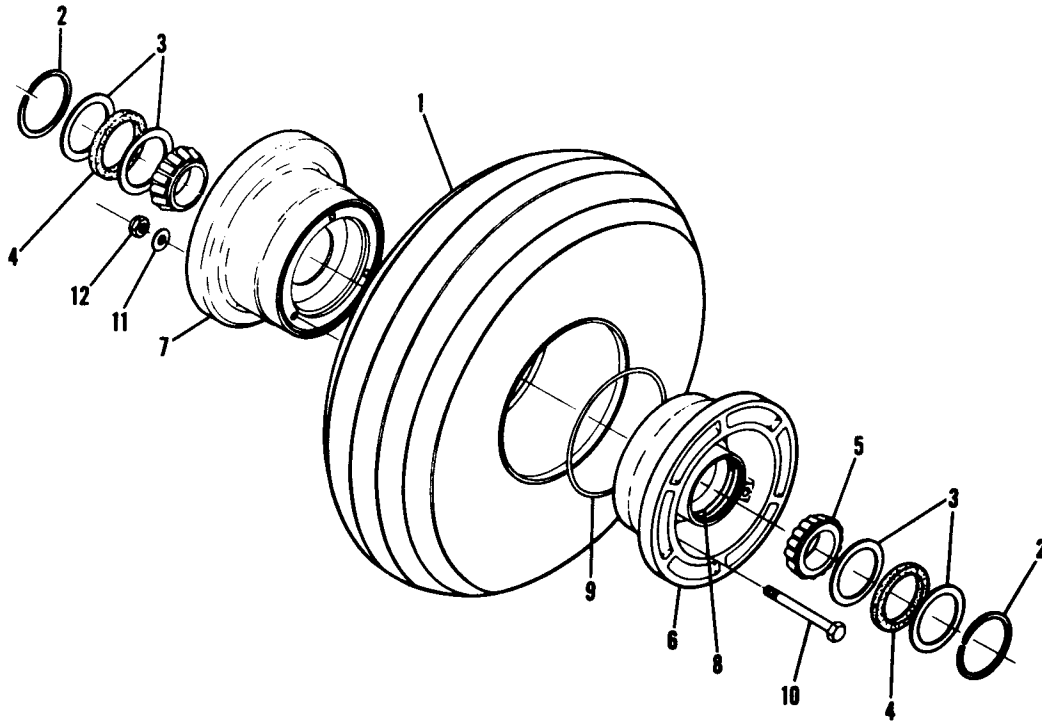
This page intentionally left blank.



172 SERIAL 28000 THRU 17249544
175 SERIAL 55001 THRU 17557119

Figure 100. Nose Wheel Assembly

FIGURE AND INDEX NO.	PART NUMBER	DESCRIPTION	UNITS PER ASSY	USABLE ON CODE
		1 2 3 4 5 6 7		
100-		WHEEL ASSEMBLY-NOSE GEAR	NP	
		WHEEL ASSEMBLY-NOSE GEAR ALT-----SEE FIGURE 100A-----	1	C
	0543005-1	WHEEL ASSEMBLY	1	D
	0442012-2	WHEEL ASSEMBLY GY9532102	1	E
	0743001-2	WHEEL ASSEMBLY GY9532669	1	F
- 1	9520925	WHEEL SUBASSEMBLY-FEMALE GY	1	D
- 2	9524193	WHEEL SUBASSEMBLY-FEMALE GY	1	E
	9532671	WHEEL SUBASSEMBLY GY	1	F
- 3	9510186	WHEEL SUBASSEMBLY-MALE GY	1	D
- 4	9524192	WHEEL SUBASSEMBLY-MALE GY	1	E
	9532672	WHEEL SUBASSEMBLY GY	1	F
		ATTACHING PARTS		
- 5	95-20206	BOLT-----GY	3	D
- 6	AN4-14A	BOLT-----	3	C
- 7	95-4545	WASHER GY	6	D
- 8	AN960-416	WASHER	6	C
- 9	95-1567	NUT GY	3	D
- 10	22-FH-428	NUT SPS	3	C
		172 SERIAL 28000		
		THRU 17249544		
		175 SERIAL 55001		
		THRU 17557119		
- 11	95-0472	CUP-BEARING GY	1	D
- 12	LM67010XL	CUP-BEARING	1	
- 13	95-10236	RING-CLOSURE GY	4	D
- 14	95-4547	RING-FELT-----GY	2	D
- 15	95-5154	RING-RETAINING-----GY	2	D
- 16	95-0471	CONE-BEARING GY	2	D
- 17	LM67048XL	CONE-BEARING TYR	2	C
- 18	95-23566	BUSHING GY	1	D
- 19	AN6230B20	O RING	1	C
	4	CAPLUG GY	1	D
- 20	0543005-2	TIRE-5.00X5 4 PLY	1	A
	0543005-15	TIRE-5.00X5 6 PLY	1	B
- 21	S-1345-1	TIRE-TUBELESS 5.00 X 5 4 PLY CESSNA STANDARD	1	C
- 22	0543005-3	TUBE-5.00X5	1	
		A---172 SERIAL 28000 THRU 46420		
		B---175 SERIAL 55001 THRU 55875		
		C---172 SERIAL 46421 THRU 17249544		
		175 SERIAL 55876 THRU 17557119		
		D---172 SERIAL 28000 THRU 46420		
		175 SERIAL 55001 THRU 55875		
		E---172 SERIAL 46421 THRU 17248457		
		175 SERIAL 55876 THRU 17556989		
		F---172 SERIAL 17248458 THRU 17249544		
		175 SERIAL 17556990 THRU 17557119		

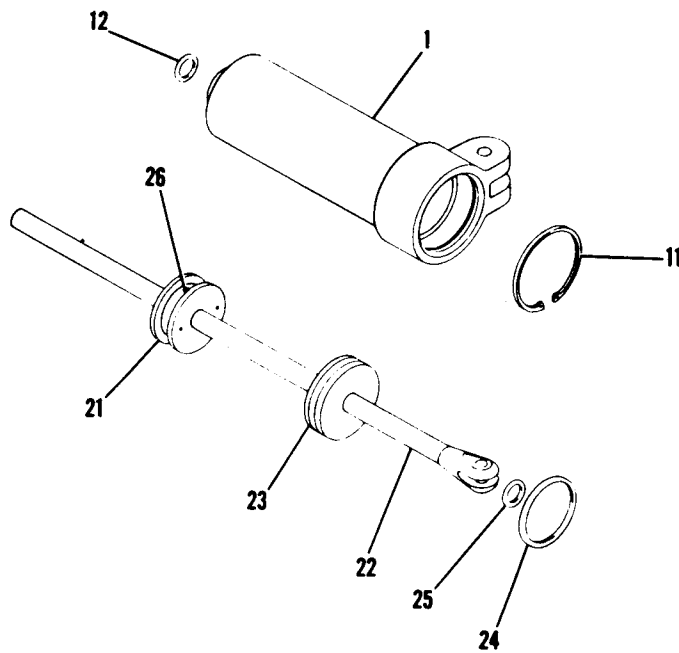
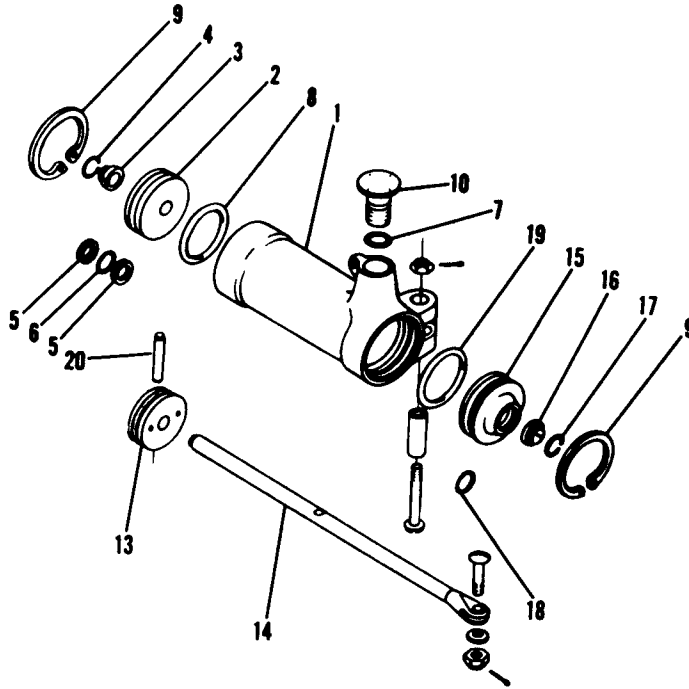


172 SERIAL 46421 THRU 17249544
175 SERIAL 55876 THRU 17557119

Figure 100A. Nose Gear Wheel Assembly

FIGURE AND INDEX NO.	PART NUMBER	DESCRIPTION							UNITS PER ASSY	USABLE ON CODE
		1	2	3	4	5	6	7		
100A-		WHEEL ASSEMBLY-NOSE GEAR ALTERNATE							NP	A
- 1	5-1345-1	TIRE-TUBELESS 5.00 X 5 4 PLY							1	
	0441179-14	WHEEL ASSEMBLY CFP 40-18							1	
- 2	155-2	RING-CFP							2	
- 3	153-8	RING-GREASE SEAL CFP							4	
- 4	154-6	GREASE SEAL-FELT CFP							2	
- 5	08125	BEARING CFP							2	
- 6	161-5	WHEEL HALF ASSEMBLY-MALE CFP							1	
- 7	162-5	WHEEL HALF ASSEMBLY-FEMALE CFP							1	
- 8	08231	CUP-BEARING CFP							1	
- 9	1866-22	O RING CFP							1	
- 10	AN4-31A	BOLT							3	
- 11	AN960-416	WASHER							3	
- 12	MS20365-428C	NUT							3	
		A---172 SERIAL 46421 THRU 17249544								
		175 SERIAL 55876 THRU 17557119								

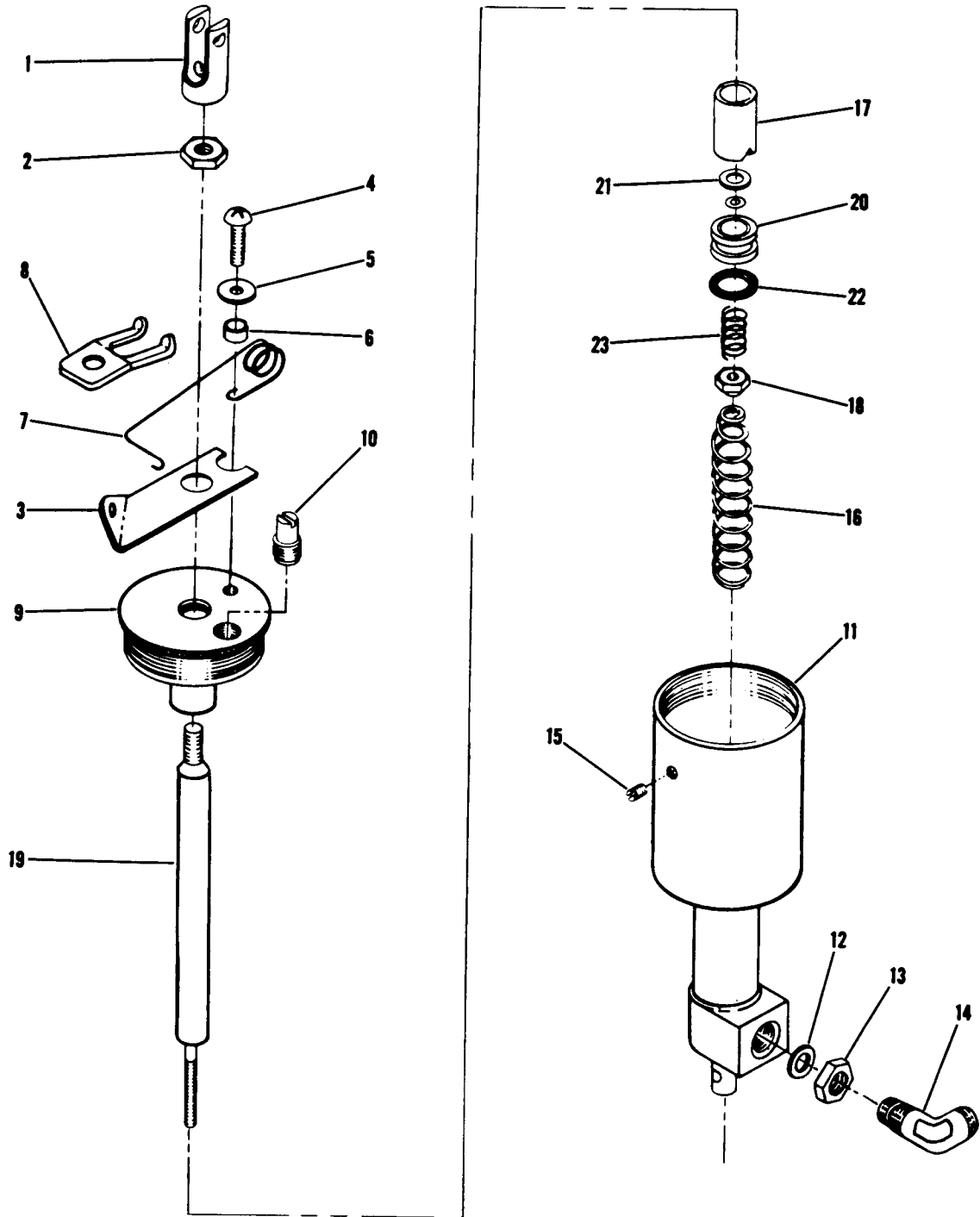
This page intentionally left blank.



172 SERIAL 28000 THRU 17249544
175 SERIAL 55001 THRU 17557119

Figure 101. Shimmy Dampener Assembly

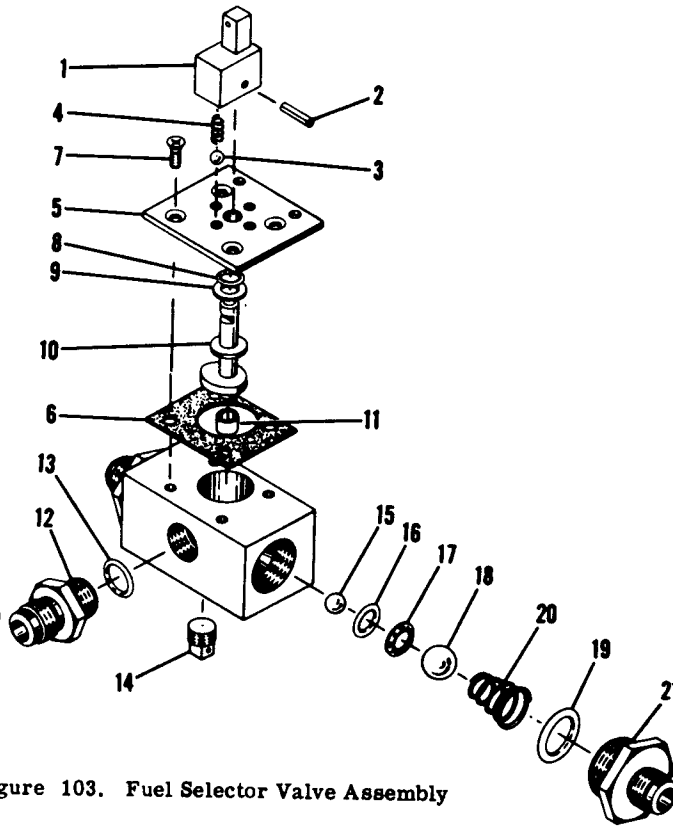
FIGURE AND INDEX NO.	PART NUMBER	DESCRIPTION	UNITS PER ASSY	USABLE ON CODE
101-	0842400-8	DAMPENER ASSEMBLY-SHIMMY	1	C
	0542119-1	DAMPENER ASSEMBLY-SHIMMY	1	D
- 1	0842405-4	DAMPENER ASSEMBLY-SHIMMY	1	E
	0842405-5	BARREL-----	1	C
	0542100-1	BARREL-----	1	D
- 2	0842400-2	BARREL-----	1	E
- 3	S11326	HEAD BEARING -----	1	F
- 4	0842400-7	RING-WIPER SHWS ---	1	F
- 5	MS28782-6	RING-LOCK -----	1	F
- 6	AN6227B6	RING-BACK UP SHWS-----	2	F
- 7	AN6227B7	O RING-----	1	F
- 8	AN6227B20	O RING-----	1	F
- 9	NAS669-131	RING-INTERNAL RETAINING -----	2	F
- 10	0842400-4	PLUG-FILLER-----	1	A
	AN814-5DL	PLUG-FILLER-----	1	B
- 11	NAS669-131	RING -----	1	E
- 12	AN6227B6	O RING-----	1	E
- 13	0842400-16	PISTON ASSEMBLY -----	1	F
- 14	0842406-1	ROD ASSEMBLY -----	1	F
- 15	0842400-2	HEAD BEARING -----	1	F
- 16	S11326	RING-WIPER SHWS-----	1	F
- 17	0842400-7	RING-LOCK -----	1	F
- 18	AN6227B6	O RING -----	1	F
- 19	AN6227B20	O RING -----	1	F
- 20	NAS561P4-14	ROLL PIN -----	1	F
- 21	0542118-1	PISTON ASSEMBLY -----	1	E
- 22	0542101-1	SHAFT -----	1	E
- 23	0542102-1	HEAD BEARING -----	1	E
- 24	AN6227B20	O RING -----	1	E
- 25	AN6227B6	O RING -----	1	E
- 26	NAS561P4-14	ROLL PIN -----	1	E
<p>A---172 SERIAL 28000 THRU 36141, 36150 THRU 36153 B---172 SERIAL 36142 THRU 36149, 36154 THRU 47377 175 SERIAL 55001 THRU 56703 C---172 SERIAL 28000 THRU 46432 175 SERIAL 55001 THRU 55895 D---172 SERIAL 46433 THRU 47457 175 SERIAL 55899 THRU 56676 E---172 SERIAL 47458 THRU 17249544 175 SERIAL 56677 THRU 17557119 F---172 SERIAL 28000 THRU 47457 175 SERIAL 55001 THRU 56676</p> <p>*NOTE. WHEN ORDERING THIS PART FOR AIRCRAFT SERIAL 28000 THRU 36141, 36150 THRU 36153 ALSO ORDER PART MARKED #.</p> <p>*NOTE. FOR REPLACEMENT OF SHIMMY DAMPENER ASSEMBLY ON AIRCRAFT, 172 SERIAL 46433 THRU 47443, 175 SERIAL 55896 THRU 56678 ORDER 0542119-1.</p>				



172 SERIAL 28000 THRU 17249544
175 SERIAL 55001 THRU 17557119

Figure 102. Master Brake Cylinder

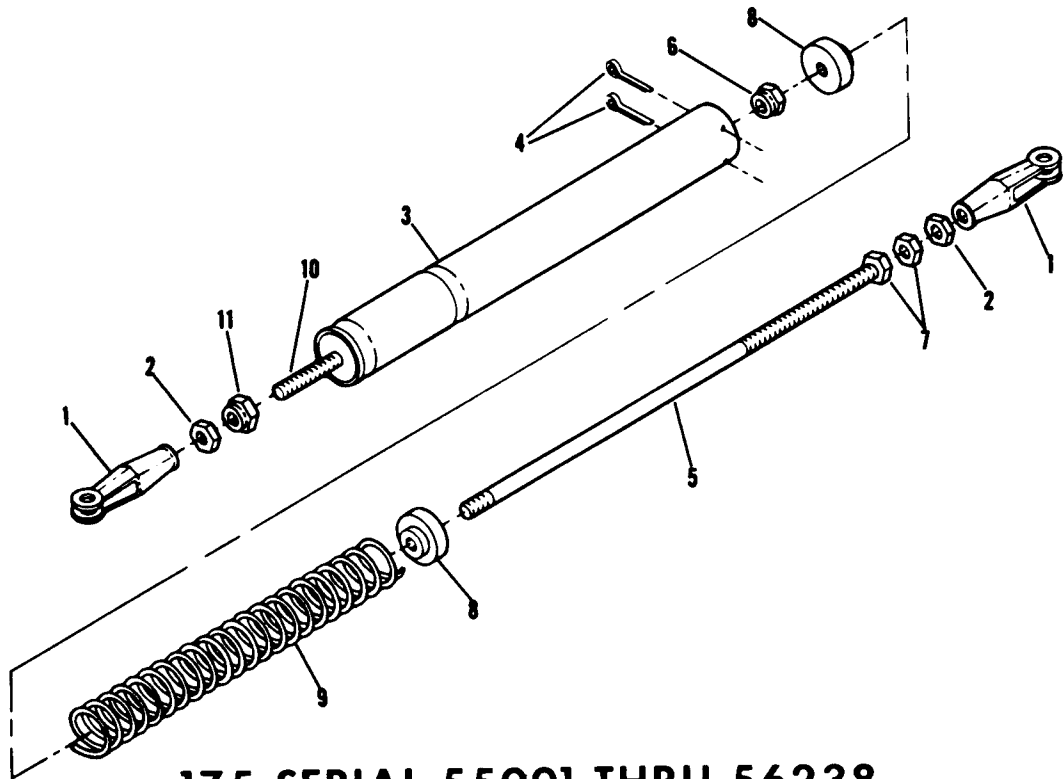
FIGURE AND INDEX NO.	PART NUMBER	DESCRIPTION	UNITS PER ASSY	USABLE ON CODE
		1 2 3 4 5 6 7		
102-	0541138-17	CYLINDER ASSEMBLY-MASTER BRAKE LH -----	1	A
	0541138-18	CYLINDER ASSEMBLY-MASTER BRAKE RH -----	1	A
	0541138-20	CYLINDER ASSEMBLY-MASTER BRAKE -----	2	B
- 1	0541140	CLEVIS-ROD END -----	1	
- 2	AN316-4R	NUT-CHECK -----	1	
- 3	0541141-1	PLATE-LEFT LOCK -----	1	A
	0541141-2	PLATE-RIGHT LOCK -----	1	A
	0541165-1	PLATE-LOCK -----	1	B
		ATTACHING PARTS		
- 4	AN515-10R8	SCREW -----	1	
- 5	AN960-10	WASHER -----	1	
- 6	0541146	SPACER -----	1	A
	0541146-1	SPACER -----	1	B
- 7	0541145	SPRING-PARKING BRAKE -----	1	A
- 8	0541167-1	SPRING-PARKING BRAKE -----	1	B
- 9	0541151	COVER-MASTER CYLINDER -----	1	
- 10	0541139	PLUG-FILLER -----	1	
- 11	0541147-2	BODY-MASTER -----	1	
- 12	AN902B4	GASKET USE WITH 0541147-2 -----	1	
- 13	AN924-4D	NUT USE WITH 0541147-2 -----	1	
- 14	AN921-4D	ELBOW USE WITH 0541147-2 -----	1	
- 15	AN565D6-3	SCREW -----	1	
- 16	0541148	SPRING-PISTON RETURN -----	1	
- 17	0541149	SLEEVE-PISTON ROD -----	1	
	0541138-5	PISTON ASSEMBLY-MASTER CYLINDER -----	1	
		ATTACHING PARTS		
- 18	MS20365-632C	NUT -----	1	
- 19	0541144	ROD -----	1	
- 20	0541143	PISTON -----	1	
- 21	200AC-6	LOCK-O-SEAL WFRC -----	1	
- 22	AN6227B8	O RING -----	1	
- 23	0541148-1	SPRING -----	1	
		A---172 SERIAL 28000 THRU 46664 175 SERIAL 55001 THRU 56134 B---172 SERIAL 46665 THRU 17249544 175 SERIAL 56135 THRU 17557119		



172 SERIAL 28000
THRU 17249544
175 SERIAL 55001
THRU 17557119

Figure 103. Fuel Selector Valve Assembly

FIGURE AND INDEX NO.	PART NUMBER	DESCRIPTION	UNITS PER ASSY	USABLE ON CODE
103--	0513120-5	1 VALVE ASSEMBLY-FUEL SELECTOR-----	1	A B
	0513120-6	2 VALVE ASSEMBLY-FUEL SELECTOR-----	1	
- 1	0513124-2	3 HOUSING-POSITIONING BALL & SPRING -----	1	
		4 ATTACHING PARTS -----	1	
- 2	MAS561P3-8	5 ROLL PIN -----	1	
		6 *-----		
- 3	S-272-207	7 BALL-FUEL VALVE CESSNA STANDARD-----	1	
- 4	0513120-1	8 SPRING-FUEL VALVE -----	1	
- 5	0513122	9 COVER-FUEL VALVE -----	1	
- 6	0513125	10 GASKET-FUEL COVER -----	1	
		11 ATTACHING PARTS -----	1	
- 7	AN507-632R6	12 SCREW -----	4	
		13 *-----		
- 8	AF934-5	14 O RING -----	1	
- 9	AN960C416L	15 WASHER-----	1	
- 10	0513123	16 CAM -----	1	
- 11	S-1003-9A	17 BEARING CESSNA STANDARD -----	1	
- 12	0513126	18 NIPPLE-----	1	A B
	0513126-1	19 NIPPLE-----	1	
- 13	AF934-9	20 O RING -----	1	
- 14	MS20913-10	21 PLUG -----	1	
- 15	S-272-209	BALL CESSNA STANDARD -----	1	
- 16	AF934-7	O RING -----	2	
- 17	0513120-4	RETAINER -----	2	
- 18	S-272-215	BALL CESSNA STANDARD -----	2	
- 19	AF934-14	O RING -----	2	
- 20	0513120-2	SPRING-----	2	
- 21	0513120-3	NIPPLE-----	2	
		A---172 SERIAL 28000 THRU 17249544 175 SERIAL 55001 THRU 17557002		
		B---175 SERIAL 17557003 THRU 17557119		



175 SERIAL 55001 THRU 56238

Figure 104. Rudder Centralizer Assembly

FIGURE AND INDEX NO.	PART NUMBER	DESCRIPTION	UNITS PER ASSY	USABLE ON CODE
		1 2 3 4 5 6 7		
104-		RUDDER CENTRALIZER ASSEMBLY -----	1	A
- 1	AN486-2	CLEVIS-----	2	
- 2	AN345-416	ATTACHING PARTS NUT-CHECK -----	2	
- 3	0512007-8	TUBE ASSEMBLY-RUDDER CENTRALIZER -----	1	
- 4	MS24665-287	COTTER PIN -----	2	
- 5	0512007-3	SHAFT -----	1	
- 6	MS20365-428C	ATTACHING PARTS NUT -----	1	
- 7	AN345-416	NUT -----	2	
- 8	0512007-6	-----	2	
- 9	0512007-7	GUIDE -----	1	
- 10	AN520-416R26	SPRING -----	1	
- 11	MS20365-428C	SCREW -----	1	
		ATTACHING PARTS NUT -----	1	

		A---175 SERIAL 55001 THRU 56238		
		NOTE. FOR ACCESSORY KIT LISTINGS REFER TO PAGE 364		

AK No.	DESCRIPTION	MODEL	SERIALS
172-42	Auxiliary Seat	172	17248735 - 17249544
		175	17557003 - 17557119
182-47	Carburetor Air Temp Gage	172	28000 - 17249544
		175	55001 - 17557119
175-9	Cargo Tie Down	172	28000 - 17249544
		175	55001 - 17557119
182-89	Cessna Navomatic 200 Auto Pilot Installation	172	28000 - 17249544
		175	55001 - 17557119
172-50	Conversion Kit - Remanufactured Gyros - To Pictorial	172	17248735 - 17249544
		175	17557003 - 17557119
175-49	Courtesy Light (Set of Two)	172	17248735 - 17249544
		175	17557003 - 17557119
172-27	Cylinder Head Temp Gage	172	28000 - 46754
172-33	Cylinder Head Temp Gage	172	46755 - 47746
175-16	Cylinder Head Temp Gage	175	55001 - 56238
175-38	Cylinder Head Temp Gage	175	56239 - 56777
172-41	Cylinder Head Temp Gage	172	17247747 - 17249544
172-1	Dual Controls	172	28000 - 36215
172-10	Dual Controls	172	36216 - 36965
172-15	Dual Controls	172	36966 - 46754
172-26	Dual Controls	172	46755 - 47746
172-35	Dual Controls	172	17247747 - 17248734
172-34	Dual Controls (Skyhawk)	172	17247747 - 17248734
175-4	Dual Controls	175	55001 - 55703
175-28	Dual Controls	175	55704 - 56238
175-30	Dual Controls	175	56239 - 56777
175-42	Dual Controls	175	17556778 - 17557002
175-31	Dual Controls (Skylark)	175	56239 - 56777
175-41	Dual Controls (Skylark)	175	17556778 - 17557002
175-56	Dual Controls (Skylark)	175	17557003 - 17557119
172-46	Dual Controls (Skyhawk)	172	17248735 - 17249544
172-47	Dual Controls	172	17248735 - 17249544
172-6	Generator Instl - 35-Amp	172	28000 - 47155
		172	17247747 - 17249544
172-31	Generator - 35-Amp	172	47156 - 47746
175-6	Generator - 35-Amp	175	55001 - 17557119
175-7	Ground Service Plug	175	55001 - 17557119
70B52-9	Ground Service Plug	172	28000 - 47746
172-45	Ground Service Plug Receptacle	172	17247747 - 17249544
175-23	Heated Pitot & Stall Warning	175	55001 - 17557119
		172	46755 - 17249544
175-12	Hoisting Provisions	172	28000 - 17249544
		175	55001 - 17557119
175-25	Landing Light	172	28000 - 17249544
		175	55001 - 17557119
182-14	Navigation Light Flasher	172	28000 - 36965
		175	55001 - 55703
175-24	Navigation Light Flasher	172	36966 - 46678
		175	55704 - 56220
175-40	Navigation Light Flasher	172	46679 - 17248734
		175	56221 - 17557002
175-58	Navigation Light Flasher	172	17248735 - 17249544
		175	17557003 - 17557119
172-7	Oil Dilution	172	28000 - 47746
175-13	Oil Dilution	175	55001 - 56777
180-4	Oxygen System	172	28000 - 17249544
		175	55001 - 17557119
175-33	Rear Seat Air Vents	172	36966 - 17248734
		175	55704 - 17557002
175-54	Rear Seat Air Vents	175	17557003 - 17557119
		172	17248735 - 17249544
175-15	Rotating Beacon	172	28000 - 46754
		175	55001 - 56238
175-34	Rotating Beacon	172	46755 - 17248734
		175	56239 - 17557002
175-55	Rotating Beacon	172	17248735 - 17249544
		175	17557003 - 17557119

AK No.	DESCRIPTION	MODEL	SERIALS
336-32	Shoulder Harness, Set of Two	175	55001 - 17557119
		172	28001 - 17249544
175-21	Six Cylinder Primer	175	55001 - 56238
175-39	Six Cylinder Primer	175	56239 - 56672
175-44	Six Cylinder Primer	175	17556673 - 17557119
182-65	Speed Fairings	172	28000 - 47746
		175	55001 - 56238
175-36	Speed Fairings	172	17247747 - 17248734
		175	56239 - 17557002
175-51	Speed Fairings	172	17248735 - 17249544
182-65	Speed Fairings	172	28000 - 17247746
		175	55001 - 56238
175-35	Stabilizer Abrasion Boot	172	28000 - 17249544
		175	55001 - 17557119
172-52	Stretcher Installation	172	28000 - 17249544
		175	55001 - 17557119
175-32	Strut Fairings	172	46518 - 17249544
		175	56025 - 17557119
8055-1	Sun Visor	172	28000 - 17249544
		175	55001 - 17557119
175-18	Vacuum System (Less Gyros)	175	55001 - 56238
175-2	Vacuum System (New Gyros)	175	55001 - 56238
175-1	Vacuum System (Remanufactured Gyros)	175	55001 - 56238
175-45	Vacuum System (New Gyros)	175	56239 - 56777
175-46	Vacuum System (Remanufactured Gyros)	175	56239 - 56777
175-47	Vacuum System (Less Gyros)	175	56239 - 56777
175-48	Vacuum System (Remanufactured Gyros)	175	17556778 - 17257119
175-49	Vacuum System (Less Gyros)	175	17556778 - 17557119
172-43	Vacuum System Super Venturi Driven (Remfg Gyros)	172	17247747 - 17249544
172-44	Vacuum System Super Venturi Driven (Less Gyros)	172	17247747 - 17249544
172-48	Vacuum System Super Venturi Driven (Pictorial Gyros)	172	17248735 - 17249544
172-3	Venturi Vacuum (Less Gyros) Less Cover Panel	172	28000 - 29174
172-4	Venturi Vacuum (Dual) (Less Gyros)	172	28000 - 29174
172-14	Venturi Vacuum (Dual) (Less Gyros)	172	29175 - 36965
172-8	Venturi Vacuum (Dual) (New Gyros)	172	29175 - 36965
172-9	Venturi Vacuum (Dual) (Remanufactured Gyros)	172	29175 - 36965
172-24	Venturi Vacuum (Super) (Less Gyros)	172	36966 - 47746
172-22	Venturi Vacuum (Super) (New Gyros)	172	36966 - 47746
172-23	Venturi Vacuum (Super) (Remanufactured Gyros)	172	36966 - 47746
172-32	Winterization	172	36966 - 47746
172-40	Winterization	172	17247747 - 17249544
175-22	Winterization	175	55001 - 56238
175-37	Winterization	175	56239 - 17557119
70B53-1	Winterization	172	28000 - 36965

This page intentionally left blank.

NUMERICAL INDEX

PART NUMBER	FIGURE AND INDEX NO.
A-1075	83A- 45
A-1104	1- 28
A-1105	83A- 10
A-1105	83C- 4
A-1106	83A- 8
A-1106	83C- 4
A-1108	83A- 9
A-1108	83C- 4
A-1213	83A- 17
A-1213	83C- 11
A-1257A	1- 26
A-1272	83D- 77
A-1280-2	1- 27
A-1280-3	1- 27
A-1286	1-27A
A-1396	83D- 81
A-1562	54A- 4
A-1562	54B- 3
A-1562	54C- 46
A-1562-30	54C- 46
A-1562-45	54C- 46
A-1580	54C- 18
A-1633-13	54C- 33
A-1633-17	54C- 15
A-1633-3	54C- 3
A-1633-9	54C- 40
A-1634-5	54C- 21
A-1635-13	54C- 29
A-1635-16	54C- 5
A-1635-17	54C- 5
A-1635-18	54C- 5
A-1635-19	54C- 5
A-1635-21	54C- 5
A-1635-22	54C- 5
A-1635-27	54C- 10
A-1636-14	54C- 13
A-1636-7	54C- 35
A-1638-2	54B- 5
A-1638-2	54C- 2
A-1638-5	54C- 11
A-1638-9	54C- 30
A-1639-2	54B- 4
A-1639-2	54C- 1
A-1748	83C- 69
A-1804-6Z-3	93- 3
A-1937-4	54C- 44
A-1938	54C- 31
A-1958	54C- 8
A-2108	54C- 36
A-2230	54C- 47
A-2351	54C- 34
A-2357	54C- 37
A-2371	54A- 4
A-289	83A- 45
A-2947-2	54B- 2
A-2947-2	54C- 45
A-2947-4	54C- 45
A-2947-6	54C- 45
A-2961	54C- 40
A-2962	54C- 42
A-2973-1	54C- 41
A-2974	54C- 4
A-2975	54C- 26
A-2976	54C- 27
A-2981-3-27	57A- 29
A-3020	54C- 20
A-3022	54C- 38
A-400	83A- 45
A-427	83A- 53
A-427	83C- 77
A-427	83D- 83
A-482	83A- 18
A-482	83A- 34
A-482	83C- 12
A-482	83C- 44

PART NUMBER	FIGURE AND INDEX NO.
A-482	83D- 3
A-482	83D- 8
A-6195-8Z-3	24A- 11
A-628	83A- 53
A-654-5	83D- 24
A-654-5	83D- 44
A-654-6	83D- 25
A-654-6	83D- 45
A-7632	93- 13
A-7634	93- 15
A-7635	93- 14
A-7942	93- 17
A-911	83A- 14
A-911	83C- 8
A-928	83A- 47
A-953	83A- 66
A-978	83A- 28
A-978	83B- 22
A-978	83B- 44
A-978	83C- 27
A-978	83D- 63
A-978	83D- 68
A-978	83D- 69
A-978	83D- 87
A-978	83D- 89
A-978	83D- 90
A-979	83A- 26
A-979	83A- 71
A-979	83B- 20
A-979	83D- 16
A-979	83D- 58
A-979	83D- 60
A-998	83A- 45
AF934-14	103- 19
AF934-5	103- 8
AF934-7	103- 16
AF934-9	103- 13
AK172-1	Page 364
AK172-10	364
AK172-100	364
AK172-14	365
AK172-15	364
AK172-22	365
AK172-23	365
AK172-24	365
AK172-26	364
AK172-27	364
AK172-3	365
AK172-31	364
AK172-32	365
AK172-33	364
AK172-34	364
AK172-35	364
AK172-4	365
AK172-40	365
AK172-41	364
AK172-42	364
AK172-43	365
AK172-44	365
AK172-45	364
AK172-46	364
AK172-47	364
AK172-51	365
AK172-6	364
AK172-7	364
AK172-8	365
AK172-9	365
AK175-1	365
AK175-100	364
AK175-12	364
AK175-13	364
AK175-15	364
AK175-16	364
AK175-18	365
AK175-2	Page 365

PART NUMBER	FIGURE AND INDEX NO.
AK175-21	Page 364
AK175-22	365
AK175-23	364
AK175-24	364
AK175-25	364
AK175-26	365
AK175-28	364
AK175-30	364
AK175-31	364
AK175-32	365
AK175-33	364
AK175-34	364
AK175-35	365
AK175-36	365
AK175-37	365
AK175-38	364
AK175-39	364
AK175-4	364
AK175-40	364
AK175-41	364
AK175-42	364
AK175-44	364
AK175-45	365
AK175-46	365
AK175-47	365
AK175-48	365
AK175-49	365
AK175-52	365
AK175-54	364
AK175-55	364
AK175-56	364
AK175-6	364
AK175-7	364
AK175-9	364
AK180-20	364
AK180-4	364
AK182-14	364
AK182-42	365
AK182-43	365
AK182-44	365
AK182-47	364
AK182-65	364
AK182-73	365
AK52-3-912D	364
AK70B52-9	364
AK70B53-1	365
AK8053-10	365
AK8055-1	Page 365
AN115-21	71- 10
AN115-21	71A- 10
AN155B16S	73- 70
AN155B32L	72- 59
AN155B32S	71- 11
AN155B32S	71A- 11
AN155B32S	72- 9
AN155B32S	74- 31
AN155B8L	75- 22
AN161-32LL	72- 60
AN175-16	33- 48
AN200KP4	70- 20
AN21-12	72- 7
AN210-18	83B- 57
AN227-6	38A- 8
AN227-7	38A- 8
AN23-10	71- 2
AN23-10	71A- 2
AN23-11	71- 7
AN23-11	71A- 7
AN23-12	32- 7
AN23-12	32A- 5
AN23-12	73- 8
AN23-12	73- 12
AN23-12	74- 10
AN23-12	74- 15
AN23-16	73- 14

PART NUMBER	FIGURE AND INDEX NO.	PART NUMBER	FIGURE AND INDEX NO.	PART NUMBER	FIGURE AND INDEX NO.
AN23-16	73- 18	AN3-3A	83D- 88	AN310-5	32- 32
AN23-17	32- 7	AN3-3A	83D- 92	AN310-5	32A- 18
AN23-17	32A- 5	AN3-3A	83D- 98	AN310-5	32A- 29
AN23-9	73- 3	AN3-3A	88- 15	AN310-5	33- 52
AN24-10	86- 19	AN3-3A	89- 15	AN310-5	60B- 40
AN24-28A	36B- 4	AN3-4A	10- 28	AN310-6	33- 34
AN24-8	56A- 42	AN3-4A	18- 39	AN310-6	33- 46
AN253-2-1025	49- 26	AN3-4A	19- 36	AN315-3	57A- 9
AN253-2-1225	49- 21	AN3-4A	20- 36	AN315-3R	13- 2
AN253-2-225	89- 6A	AN3-4A	20- 36	AN315-3R	31- 15
AN253-2-500	44- 10	AN3-4A	35- 27	AN315-3R	57A- 18
AN253-2-725	49- 24	AN3-4A	36- 29	AN315-3R	58- 53
AN253-2-996	49A- 11	AN3-4A	36A- 43	AN315-3R	58- 64
AN253-5-100	44- 7	AN3-4A	38A- 2	AN315-3R	71- 13
AN253-5-100	60- 2	AN3-4A	58- 25	AN315-3R	71A- 13
AN253-5-100	60A- 2	AN3-4A	58- 36	AN315-4R	58- 21
AN2552-3A	88- 1	AN3-4A	59- 17	AN316-4R	9- 15
AN2552-3A	89- 1	AN3-4A	60A- 12	AN316-4R	10- 13
AN257X2-750	49- 23	AN3-4A	61- 5	AN316-4R	102- 2
AN3-10A	10- 18	AN3-4A	61- 9	AN316-6R	32- 13
AN3-10A	32- 9	AN3-4A	62- 14	AN316-6R	32- 16
AN3-10A	32A- 7	AN3-4A	69- 17	AN316-6R	32A- 10
AN3-10A	37- 3	AN3-4A	79- 21	AN316-6R	32A- 14
AN3-10A	69- 30	AN3-4A	80- 34	AN320-1	72- 7
AN3-10A	69- 30	AN3-4A	82C- 23	AN320-3	32- 7
AN3-10A	70- 15	AN3-4A	83A- 42	AN320-3	32A- 5
AN3-10A	70- 22	AN3-4A	83A- 55	AN320-4	56A- 43
AN3-10A	73- 30	AN3-4A	83B- 36	AN340-B8	51- 3
AN3-10A	75- 13	AN3-4A	83B- 38	AN340-8	49A- 8
AN3-11A	10- 9	AN3-4A	83D- 96	AN340B6	47- 40
AN3-11A	35- 23	AN3-4A	87- 15	AN340B6	47- 42
AN3-11A	36- 16	AN3-5A	18- 17	AN340B6	47- 43
AN3-11A	36A- 26	AN3-5A	19- 17	AN340B6	47- 48
AN3-11A	36B- 58	AN3-5A	20- 42	AN340B6	50- 16
AN3-11A	37- 1	AN3-5A	45A- 3	AN340B6	50- 17
AN3-11A	69- 9	AN3-5A	75- 20	AN340B6	50- 21
AN3-11A	69- 43	AN3-5A	81- 51	AN340B6	50- 29
AN3-11A	70- 9	AN3-5A	87- 14	AN340B6	50- 30
AN3-13A	38- 3	AN3-6A	10- 7	AN340B6	50- 31
AN3-14A	69- 21	AN3-6A	15- 6	AN340B6	50- 38
AN3-20A	20- 6	AN3-6A	58- 52	AN340B6	51- 13
AN3-20A	28- 4	AN3-6A	60- 14	AN340B6	51- 14
AN3-20A	28- 8	AN3-6A	73- 22	AN340B6	51- 18
AN3-20A	58- 16	AN3-6A	73- 26	AN340B6	51- 19
AN3-20A	86- 3	AN3-6A	73- 35	AN340B6	51- 27
AN3-20A	86A- 3	AN3-6A	75- 24	AN340B6	51- 27
AN3-20A	87- 25	AN3-6A	79A- 14	AN340B6	51A- 8
AN3-21A	20- 2	AN3-6A	83B- 58	AN340B6	51A- 50
AN3-21A	72- 53	AN3-6A	83B- 67	AN340B6	51A- 57
AN3-21A	87A- 11	AN3-6A	83C- 74	AN340B6	51A- 58
AN3-24A	64- 51	AN3-7A	83D- 81	AN340B6	51A- 60
AN3-24A	64A- 33	AN3-7A	9- 11	AN340B6	51A- 61
AN3-24A	64A- 38	AN3-7A	57- 14	AN340B6	51A- 62
AN3-24A	64B- 46	AN3-7A	57A- 12	AN340B6	51A- 66
AN3-26A	60A- 36	AN3-7A	72- 63	AN340B6	51B- 22
AN3-26A	64B- 46	AN3-7A	73- 40	AN340B6	51B- 29
AN3-26A	59- 6	AN310-3	73- 40	AN340B6	51B- 34
AN3-3A	27- 13	AN310-3	33- 73	AN340B6	82A- 8
AN3-3A	27A- 14	AN310-3	33A- 32	AN340B6	82B- 8
AN3-3A	38A- 20	AN310-3	71- 3	AN340B6	82C- 10
AN3-3A	41- 28	AN310-3	71- 8	AN340B6	83A- 35
AN3-3A	46- 39	AN310-3	71A- 3	AN340B6	83B- 11
AN3-3A	57A- 35	AN310-3	71A- 8	AN340B6	85- 9
AN3-3A	58- 10	AN310-3	73- 4	AN340B6	85- 22
AN3-3A	59A- 32	AN310-3	73- 9	AN340B6	85- 22
AN3-3A	64- 49	AN310-3	73- 12	AN340B8	50- 4
AN3-3A	64A- 34	AN310-3	73- 15	AN340B8	51A- 7
AN3-3A	64A- 41	AN310-3	73- 19	AN340B8	82- 22
AN3-3A	60-29B	AN310-3	74- 11	AN340B8	82- 22
AN3-3A	64B- 44	AN310-4	74- 16	AN340B8	86- 20
AN3-3A	79A- 14	AN310-4	32A- 36	AN345-416	104- 2
AN3-3A	79A- 18	AN310-4	33- 61	AN345-416	104- 7
AN3-3A	79A- 26	AN310-4	33- 69	AN345-416	83C- 75
AN3-3A	83B- 54	AN310-4	33A- 27	AN381-2-12	83D- 82
AN3-3A	83C- 83	AN310-4	33A- 39	AN381-2-12	58- 19
AN3-3A	83D- 86	AN310-5	60B- 1	AN4-10A	
		AN310-5	32- 23		

PART NUMBER	FIGURE AND INDEX NO.
AN4-10A	58- 46
AN4-10A	70- 5
AN4-10A	71- 20
AN4-10A	71A- 20
AN4-10A	72- 31
AN4-10A	72- 57
AN4-10A	74- 2
AN4-10A	74- 24
AN4-10A	74- 28
AN4-11A	14- 2
AN4-11A	14A- 1
AN4-11A	15- 11
AN4-11A	33- 37
AN4-11A	37- 9
AN4-11A	37- 13
AN4-11A	38- 9
AN4-11A	38- 13
AN4-11A	70- 5
AN4-11A	74- 5
AN4-11A	83A- 51
AN4-12A	35- 3
AN4-12A	36- 4
AN4-12A	38- 1
AN4-13A	14- 5
AN4-13A	15- 2
AN4-13A	99- 11
AN4-14A	36B- 40
AN4-14A	71- 15
AN4-14A	71A- 15
AN4-14A	72- 27
AN4-14A	74- 20
AN4-14A	80- 2
AN4-14A	100- 6
AN4-15A	72- 41
AN4-15A	72- 45
AN4-21A	72- 21
AN4-21A	72- 36
AN4-21A	73- 45
AN4-26A	59A- 6
AN4-31	33- 58
AN4-31	33- 66
AN4-31	33A- 26
AN4-31	33A- 38
AN4-31	70- 2
AN4-31A	100A- 10
AN4-32	32A- 36
AN4-33A	72- 16
AN4-4A	61- 17
AN4-4A	62- 19
AN4-42A	9- 3
AN4-42A	9- 8
AN4-47A	99- 2
AN4-5A	84- 2
AN4-5A	87- 22
AN4-5A	87A- 9
AN4-5A	88- 14
AN4-5A	89- 14
AN4-6A	18- 19
AN4-6A	19- 19
AN4-6A	35- 31
AN4-6A	36- 32
AN4-6A	36A- 45
AN4-6A	37- 2
AN4-6A	37- 10
AN4-6A	38- 10
AN4-6A	38A- 17
AN4-6A	87- 16
AN4-6A	88- 9
AN4-6A	88- 12
AN4-6A	88- 16
AN4-6A	89- 12
AN4-6A	89- 16
AN4-60A	10- 2
AN4-62A	73- 50
AN4-62A	73- 65

PART NUMBER	FIGURE AND INDEX NO.
AN4-7A	15- 12
AN4-7A	38- 2
AN4-7A	60A- 58
AN4-8A	81- 12
AN4022-1	57- 45
AN4022-1	57A- 41
AN4022-1	58- 46
AN4022-1	59- 26
AN4022-1	60A- 18
AN4022-1	60- 18
AN4022-1	79- 61
AN4022-1	80A- 11
AN4078-1	81- 49
AN415-2	23- 13
AN415-2	23A- 4
AN415A	53- 4
AN486-2	104- 1
AN5-10A	12A- 1
AN5-10A	32A- 4
AN5-11A	12- 2
AN5-11A	32- 4
AN5-22A	34- 35
AN5-22A	34A- 27
AN5-23A	13- 9
AN5-23A	34- 35
AN5-23A	34A- 27
AN5-30A	33- 3
AN5-30A	33A- 3
AN5-31A	32- 2
AN5-31A	32A- 2
AN5-33A	32A- 24
AN5-33A	33- 3
AN5-33A	33A- 3
AN5-34A	32- 26
AN5-37A	32- 26
AN5-37A	32A- 24
AN5-43A	32- 39
AN5-43A	33- 6
AN5-47	32- 22
AN5-47	32A- 17
AN5-47A	32A- 24
AN5-5A	12A- 5
AN5-5A	13- 6
AN5-51A	32A- 24
AN5-7A	5- 7
AN500-4-4	83B- 51
AN500A4-4	83A- 53
AN500A4-4	83C- 77
AN500A4-4	83D- 83
AN500A4-4	83D- 94
AN500A8-5	78- 26
AN500A8-5	78A- 26
AN500C4-7	83A- 6
AN500C6-7	83C- 2
AN502-10-6	99- 36
AN505-8R5	99- 36
AN507-1032R10	34- 24
AN507-1032R10	34A- 13
AN507-1032R14	52- 14
AN507-1032R8	42- 1
AN507-1032R8	43- 1
AN507-440-5	83C- 5
AN507-440-5	83C- 7
AN507-632R12	1- 29
AN507-632R6	103- 7
AN507-640R4	76- 24
AN507-640R4	77- 29
AN507-832R8	83D- 39
AN507BG32R12	83C- 19
AN507BG632R12	83D- 55
AN509-10R7	42A- 41
AN510-10R16	88- 2
AN510-10R16	89- 2
AN515-10R10	7- 13
AN515-10R10	82- 19

PART NUMBER	FIGURE AND INDEX NO.
AN515-10R10	82A- 21
AN515-10R8	102- 4
AN515-3R9	42- 2
AN515-4R6	14- 28
AN515-4R6	14A- 19
AN515-4R6	82- 41
AN515-4R6	83B- 63
AN515-6-16	82- 38
AN515-6R22	83B- 14
AN515-6R22	83D- 28
AN515-6R36	41- 12
AN515-6R4	34- 28
AN515-6R4	50- 8
AN515-6R4	50- 13
AN515-6R6	49- 34
AN515-6R6	49A- 7
AN515-6R6	51- 29
AN515-6R6	93- 11
AN515-6R6	93- 23
AN515-6R7	79A- 4
AN515-6R8	46- 37
AN515-6R8	46- 42
AN515-6R8	47- 35
AN515-6R8	51A- 52
AN515-6R8	51B- 28
AN515-6R8	76- 5
AN515-6R8	77- 5
AN515-6R8	82- 44
AN515-6R8	85- 17
AN515-6R8	90- 12
AN515-6R8	91- 27
AN515-6R9	67- 13
AN515-6R9	68- 13
AN515-8-10	83A- 3
AN515-8-10	83B- 3
AN515-8-10	83C- 85
AN515-8-10	83D- 20
AN515-8-14	83C- 70
AN515-8-14	83D- 77
AN515-8-7	83C- 71
AN515-8-7	83D- 78
AN515-8-8	11- 15
AN515-8-8	64B- 67
AN515-8R12	45- 6
AN515-8R14	38A- 9
AN515-8R14	89- 7
AN515-8R22	92- 8
AN515-8R26	92- 7
AN515-8R26	92- 7
AN515-8R26	92- 8
AN515-8R32	92- 8
AN515-8R40	59- 29
AN515-8R5	49- 31
AN515-8R5	91- 33
AN515-8R6	27A- 41
AN515-8R6	45A- 9
AN515-8R6	45A- 19
AN515-8R6	59- 20
AN515-8R6	59A- 19
AN515-8R6	68- 33
AN515-8R7	92- 11
AN515-8R8	14A- 17
AN515-8R8	28- 19
AN515-8R8	38A- 6
AN515-8R8	41-23A
AN515-8R8	48- 9
AN515-8R8	54- 4
AN515-8R8	54A- 6
AN515-8R8	54A- 11
AN515-8R8	54B- 7
AN515-8R8	55A- 14
AN515-8R8	64- 24
AN515-8R8	64B- 28
AN515-8R8	66- 13
AN515-8R8	83C- 57

PART NUMBER	FIGURE AND INDEX NO.	PART NUMBER	FIGURE AND INDEX NO.	PART NUMBER	FIGURE AND INDEX NO.
AN515-8R8	83C- 68	AN520-10R26	58- 58	AN6H45	54- 2
AN515-8R8	83C- 79	AN520-10R36	7- 7	AN6227B1	83A- 13
AN515-8R8	83D- 67	AN520-10R36	8- 2	AN6227B1	83C- 7
AN515-8R8	83D- 76	AN520-10R6	42A-37A	AN6227B20	101- 8
AN515-8R8	86- 23	AN520-10R6	43- 25	AN6227B20	101- 19
AN515-8R8	86- 30	AN520-10R6	56- 3	AN6227B20	101- 24
AN515-8R8	93- 8	AN520-10R6	56A- 4	AN6227B26	33A- 6
AN515-8R8	84- 10	AN520-10R6	83- 36	AN6227B32	33- 21
AN515BR6	51- 26	AN520-10R6	86A- 28	AN6227B32	33A- 20
AN515B6-5	47- 43	AN520-10R6	86A- 30	AN6227B4	33- 15
AN515B6R10	51B- 22	AN520-10R7	2- 48	AN6227B4	33A- 11
AN515B6R10	46- 27	AN520-10R7	3- 44	AN6227B5	33- 11
AN515B6R12	46- 31	AN520-10R7	17- 29	AN6227B5	33A- 9
AN515B6R12	47- 28	AN520-10R7	20- 56	AN6227B6	101- 6
AN515B6R12	47- 37	AN520-10R7	27- 17	AN6227B6	101- 12
AN515B6R12	47- 40	AN520-10R7	27A- 17	AN6227B6	101- 18
AN515B6R12	47- 48	AN520-10R7	29- 15	AN6227B6	101- 25
AN515B6R12	47- 53	AN520-10R7	75- 7	AN6227B7	101- 7
AN515B6R12	50- 20	AN520-10R8	2- 48	AN6227B8	102- 22
AN515B6R12	50- 29	AN520-10R8	3- 44	AN6230B2	99- 26
AN515B6R12	50- 36	AN520-10R8	12- 1	AN6230B20	100- 19
AN515B6R12	50- 37	AN520-10R8	13- 5	AN6230B28	99- 18
AN515B6R12	50- 38	AN520-10R8	43- 1	AN6230B3	33- 16
AN515B6R12	50- 39	AN520-10R8	43- 2	AN6230B3	33A- 12
AN515B6R12	51- 19	AN520-10R9	42A- 1	AN6230B3	99- 27
AN515B6R12	51- 23	AN520-10R9	43- 2	AN6230B6	33- 19
AN515B6R12	51- 27	AN520-416-10	7- 18	AN6230B6	33A- 21
AN515B6R12	51- 27	AN520-416-14	88- 7	AN6230B6	33- 15
AN515B6R12	51A- 8	AN520-416R10	56- 1	AN6287-1	99- 37
AN515B6R12	51A- 46	AN520-416R10	56A- 1	AN6290-4	58- 63
AN515B6R12	51A- 50	AN520-416R26	104- 10	AN665-21R	1- 4
AN515B6R12	51A- 60	AN520B10R12	50- 40	AN7-24A	59- 3
AN515B6R12	51A- 65	AN520B10R12	51A- 68	AN7-27A	59A- 2
AN515B6R12	51A- 66	AN520B10R14	51- 16	AN7-27A	60A- 2
AN515B6R12	51A- 67	AN520B10R14	51- 17	AN7-32A	60- 2
AN515B6R12	51A- 70	AN520B10R14	82- 2	AN7-33A	57A- 29
AN515B6R12	51B- 29	AN520B10R14	82A- 1	AN735D20	60A- 38
AN515B6R12	51- 22	AN520B10R14	82A- 2	AN735D56	83A- 27
AN515B6R12	82- 3	AN520B10R14	82B- 1	AN737RM22	83A- 72
AN515B6R12	85- 9	AN520B10R14	82B- 2	AN737RM22	83B- 19
AN515B6R12	85- 22	AN520B10R16	50- 41	AN737RM22	83C- 26
AN515B6R12	85- 22	AN520B10R16	51A- 69	AN737RM22	83C- 30
AN515B6R16	47- 42	AN520B10R16	82- 2	AN737RM22	83D- 6
AN515B6R16	50- 16	AN520C10R16	83A- 23	AN737RM22	83D- 14
AN515B6R16	50- 17	AN520C10R16	83A- 60	AN737RM30	82B- 34
AN515B6R16	50- 30	AN520C10R16	83B- 6	AN737RM30	82C- 32
AN515B6R16	51- 13	AN520C10R16	83B- 10	AN737RM30	83- 50
AN515B6R16	51- 14	AN520C10R16	83D- 1	AN737TW82	79A- 9
AN515B6R16	51- 16	AN520C10R16	83D- 7	AN74A3	60A- 21
AN515B6R16	51- 17	AN520C8R8	83B- 70	AN74A3	60A- 42
AN515B6R16	51- 18	AN520PB10R10	51- 22	AN74A3	60- 21
AN515B6R16	51A- 57	AN525-10R8	42A- 32	AN741-18P	58- 46
AN515B6R16	51A- 58	AN545-6-5	90- 9	AN742-D16	66A- 11
AN515B6R16	51A- 61	AN545-6R8	79A- 12	AN742-10	59A- 30
AN515B6R5	50- 34	AN545-8A6	23- 19	AN742-10	60-29B
AN515B6R6	51- 15	AN565D6-3	102- 15	AN742-36	57A- 25
AN515B6R6	51- 23	AN5807-1	82- 18	AN742D10	59A- 14
AN515B6R8	50- 22	AN6-15A	34- 6	AN742D10	83- 15
AN515B6R8	51A- 59	AN6-15A	34A- 5	AN742D11	59A- 28
AN520-10R	83C- 18	AN6-22A	57- 3	AN742D12	83- 45
AN520-10R	83C- 31	AN6-23A	34- 33	AN742D12	85- 24
AN520-10R10	2- 48	AN6-23A	34A- 29	AN742D12	59A- 12
AN520-10R10	3- 44	AN6-24A	34- 33	AN742D16	85- 25
AN520-10R10	7- 33	AN6-24A	34A- 29	AN742D16	60- 9
AN520-10R10	8- 13	AN6-25A	57A- 1	AN742D18	81- 8
AN520-10R10	8- 18	AN6-31	33- 31	AN742D2	60A- 8
AN520-10R10	21- 6	AN6-31	33- 43	AN742D20	57A- 24
AN520-10R10	32- 36	AN6-32A	57A- 2	AN742D3	57A- 34
AN520-10R10	32A- 34	AN6-33A	57- 2	AN742D3	57A- 43
AN520-10R10	34- 48	AN6-35A	58- 2	AN742D3	58- 24
AN520-10R10	34- 52	AN6-47A	58- 3	AN742D3	58- 35
AN520-10R10	34A- 51	AN6-5A	34- 45	AN742D3	78A- 27
AN520-10R10	34A- 56	AN6-5A	34A- 52	AN742D3	80- 25
AN520-10R10	45A- 3	AN6-6A	20- 51	AN742D36	82C- 23
AN520-10R12	42A- 23	AN6-6A	34A- 52	AN742D36	83- 38

PART NUMBER	FIGURE AND INDEX NO.	PART NUMBER	FIGURE AND INDEX NO.	PART NUMBER	FIGURE AND INDEX NO.
AN742D50	58- 44	AN825-4D	79A- 29	AN917-2D	82- 32
AN742D50	59A- 28	AN825-6D	82- 36	AN921 4D	78- 3
AN742D50	59A- 30	AN825-6D	82A- 14	AN921-4D	78A- 8
AN742D50	68A- 6	AN826-3D	84- 8	AN921-4D	102- 14
AN742D50	68A- 9A	AN826-4D	51A- 61	AN924-2D	24- 17
AN780-2	80A- 5	AN826-4D	76-12A	AN924-2D	79- 49
AN8-17A	11- 3	AN826-4D	77- 13	AN924-2D	79- 51
AN8-23A	1- 1	AN826-6D	82A- 10	AN924-2D	79- 58
AN8-24A	11- 2	AN826-6D	82B- 10	AN924-2D	80A- 2
AN8-43A	54A- 2	AN826-6D	83- 4	AN924-2D	81- 7
AN8-46A	54A- 2	AN832-2D	24- 17	AN924-2D	85- 5
AN8-46AS	54A- 2	AN832-2D	79- 49	AN924-2D	85- 12
AN8-46AS	54A- 2	AN832-2D	79- 51	AN924-4D	34- 17
AN814-5DL	101- 10	AN832-2D	81- 6	AN924-4D	34A- 21
AN815-4D	76- 3	AN832-2D	85- 4	AN924-4D	78- 5
AN815-4D	77- 3	AN832-2D	85- 11	AN924-4D	78- 11
AN815-4D	78- 12	AN832-4D	78A- 18	AN924-4D	78- 16
AN815-4D	78A- 12	AN833-4D	34- 18	AN924-4D	78- 19
AN815-6D	79- 12	AN833-4D	34A- 20	AN924-4D	78A- 4
AN815-6D	79- 19	AN833-4D	78- 8	AN924-4D	78A- 11
AN815-6D	79- 39	AN833-4D	78- 15	AN924-4D	78A- 15
AN816-2B	59- 27	AN833-4D	78A- 3	AN924-4D	78A- 19
AN816-2B	60A- 19	AN834-2D	79- 58	AN924-4D	102- 13
AN816-2B	81- 9	AN837-4D	78- 9	AN924-6D	7- 26
AN816-2D	79- 47	AN837-4D	78- 19	AN924-6D	8- 25
AN816-2D	80A- 3	AN837-4D	78A- 9	AN924-6D	79- 42
AN816-2D	81- 4	AN837-4D	78A- 15	AN924-6D	82B- 26
AN816-2D	81- 56	AN837-6D	79- 42	AN924-6D	83- 13
AN816-2D	82- 23	AN837-8D	79- 42	AN924-8D	79- 42
AN816-2D	82- 24	AN840-6D	82- 30	AN932C2	80A- 16
AN816-2D	83- 10	AN840-6D	82- 31	AN932D3	82A- 12
AN816-2D	83A- 37	AN840-8	82B- 32	AN932D3	82B- 12
AN816-2D	83B- 12	AN840-8D	82C- 33	AN932D3	82C- 16
AN816-2D	83C- 24	AN842-6D	83D- 9	AN935-816L	81- 46
AN816-2D	83D- 54	AN842-8D	82B- 20	AN936-A8	51- 4
AN816-2D	85- 3	AN844-6D	82-31A	AN936-A8	34A- 23
AN816-2D	85- 15	AN844-6D	83D- 4	AN936-8A	49- 32
AN816-3D	84- 15	AN844-8	83- 51	AN936A6	34- 29
AN816-4D	60- 35	AN844-8D	82B- 16	AN936A6B	47- 40
AN816-4D	77- 13	AN884-6-9	23- 8	AN936A6B	47- 42
AN816-4D	80A- 12	AN902B4	7- 10	AN936A6B	47- 43
AN816-4D	81- 54	AN902B4	8- 10	AN936A6B	47- 48
AN816-5D	84- 16	AN902B4	34- 16	AN936A6B	50- 16
AN816-6-6D	82- 35	AN902B4	34A- 22	AN936A6B	50- 17
AN816-6-6D	82B- 15	AN902B4	78A- 5	AN936A6B	50- 29
AN816-6-6D	83- 19	AN902B4	102- 12	AN936A6B	50- 30
AN816-6-6D	83- 23	AN902B4D	78- 4	AN936A6B	50- 35
AN816-6-8D	82B- 15	AN910-1D	81- 5	AN936A6B	50- 38
AN816-6D	79- 43	AN911-1D	77- 26	AN936A6B	51- 13
AN816-6D	82A- 11	AN911-1D	81- 60	AN936A6B	51- 14
AN816-6D	82B- 11	AN911-2D	82- 26	AN936A6B	51- 18
AN816-6D	83- 2	AN912-1D	82- 25	AN936A6B	51- 19
AN816-7D	60A- 10	AN912-1D	82- 49	AN936A6B	51- 27
AN816-8D	83- 26	AN912-1D	82A- 5	AN936A6B	51A- 8
AN823-2B	59A- 23	AN912-1D	82B- 5	AN936A6B	51A- 50
AN823-2D	80A- 2	AN912-1D	82C- 13	AN936A6B	51A- 57
AN823-2D	82A- 6	AN912-1D	82C- 35	AN936A6B	51A- 58
AN823-2D	82B- 6	AN912-1D	83- 7	AN936A6B	51A- 60
AN823-2D	82C- 12	AN912-1D	83A- 38	AN936A6B	51A- 61
AN823-2D	83- 8	AN912-1D	83B- 12	AN936A6B	51A- 66
AN823-2D	83A- 39	AN912-1D	83C- 22	AN936A6B	51B- 22
AN823-2D	83B- 12	AN912-1D	83D- 52	AN936A6B	51B- 29
AN823-4D	76- 8	AN912-2D	82- 34	AN936A6B	51B- 34
AN823-4D	76- 11	AN912-2D	82A- 16	AN936A6B	82A- 8
AN823-4D	77- 10	AN912-4D	82B- 22	AN936A6B	82B- 8
AN823-4D	79A- 24	AN912-4D	83- 21	AN936A6B	82C- 10
AN823-4D	79A- 31	AN912-4D	83- 21	AN936A6B	83A- 35
AN823-4D	81- 62	AN914-1D	79A- 20	AN936A6B	83B- 11
AN823-6D	82- 29	AN914-2D	60A- 10	AN936A6B	85- 9
AN823-8D	79- 43	AN914-3D	82B- 17	AN936A6B	85- 22
AN823-8D	86A- 20	AN914-3D	83- 12	AN936A8	50- 5
AN824-6D	79A- 23	AN914-3D	83- 25	AN936A8	51A- 6
AN825-4D	76- 12	AN916-1D	77- 25	AN936A8	66- 14
AN825-4D	76- 17	AN916-2D	82- 33	AN936A8	82- 22
AN825-4D	77- 18	AN917-1D	81- 59	AN936A8	82- 22

PART NUMBER	FIGURE AND INDEX NO.
AN936A8	49A- 8
AN936B616	34- 46
AN936B616	34A- 53
AN944-101A	33- 41
AN944-101A	33- 56
AN944-101A	33- 64
AN944-101A	33- 76
AN944-101A	33A- 36
AN944-101A	79- 42
AN960-D1216	9-12A
AN960-10	10- 10
AN960-10	20- 3
AN960-10	20- 7
AN960-10	20- 43
AN960-10	28- 5
AN960-10	28- 9
AN960-10	32- 7
AN960-10	32A- 5
AN960-10	35- 29
AN960-10	36B- 42
AN960-10	36B- 55
AN960-10	36B- 63
AN960-10	57- 19
AN960-10	57- 40
AN960-10	57A- 10
AN960-10	57A- 17
AN960-10	57A- 33
AN960-10	57A- 38
AN960-10	58- 29
AN960-10	58- 40
AN960-10	69- 22
AN960-10	73- 41
AN960-10	80- 29
AN960-10	83C- 83
AN960-10	83D- 86
AN960-10	83D- 88
AN960-10	83D- 92
AN960-10	83D- 98
AN960-10	92- 10
AN960-10	102- 5
AN960-10A	45A- 4
AN960-10L	15- 7
AN960-10L	21- 7
AN960-10L	33- 72
AN960-10L	33A- 34
AN960-10L	53A- 4
AN960-10L	57- 15
AN960-10L	57- 20
AN960-10L	57- 41
AN960-10L	58- 60
AN960-10L	58- 66
AN960-10L	60B- 2
AN960-10L	60B- 6
AN960-10L	60B- 17
AN960-10L	66- 22
AN960-10L	67- 16
AN960-10L	68- 16
AN960-10L	68A- 15
AN960-10L	68A- 47
AN960-10L	72- 62
AN960-10L	80- 35
AN960-10L	81- 52
AN960-10L	83A- 44
AN960-10L	83A- 56
AN960-10L	83B- 36
AN960-10L	83B- 39
AN960-10L	83B- 59
AN960-10L	83B- 68
AN960-10L	83C- 74
AN960-10L	83D- 81
AN960-10L	84- 20
AN960-10L	88- 15
AN960-10L	89- 15
AN960-10L	99- 34
AN960-1416L	82C- 37

PART NUMBER	FIGURE AND INDEX NO.
AN960-1716	86A- 34
AN960-1716L	86A- 35
AN960-2	80- 31
AN960-2	80- 39
AN960-4	73- 57
AN960-4	83C- 77
AN960-4	83D- 83
AN960-4	83D- 94
AN960-4	83A- 7
AN960-4L	83A- 53
AN960-4L	83B- 64
AN960-4L	9- 5A
AN960-416	9- 9A
AN960-416	14- 3
AN960-416	14- 7
AN960-416	14A- 3
AN960-416	14A- 3
AN960-416	15- 3
AN960-416	15- 13
AN960-416	33- 38
AN960-416	57A- 23
AN960-416	70- 6
AN960-416	72- 15
AN960-416	72- 51
AN960-416	72- 56
AN960-416	73- 31
AN960-416	74- 6
AN960-416	74- 21
AN960-416	81- 13
AN960-416	86A- 8
AN960-416	87- 17
AN960-416	99- 12
AN960-416	100- 8
AN960-416	100A- 11
AN960-416L	14- 6
AN960-416L	32A- 36
AN960-416L	33- 60
AN960-416L	33- 68
AN960-416L	33A- 30
AN960-416L	33A- 42
AN960-416L	36A- 7
AN960-416L	36B- 5
AN960-416L	56A- 44
AN960-416L	56A- 45
AN960-416L	57- 28
AN960-416L	58- 33
AN960-416L	58- 46
AN960-416L	60B- 26
AN960-416L	70- 3
AN960-416L	71- 16
AN960-416L	71A- 16
AN960-416L	72- 26
AN960-416L	75- 14
AN960-416L	80- 4
AN960-416L	86A- 9
AN960-416L	88- 7
AN960-416L	59- 6
AN960-516	5- 7
AN960-516	11- 10
AN960-516	12- 3
AN960-516	12A- 2
AN960-516	13- 7
AN960-516	32- 4
AN960-516	32- 4
AN960-516	32- 27
AN960-516	32A- 4
AN960-516	32A- 27
AN960-516	60B- 3
AN960-516	60B- 41
AN960-516	79- 49
AN960-516	79- 51
AN960-516	85- 13
AN960-516L	12- 4
AN960-516L	12A- 3
AN960-516L	13- 10

PART NUMBER	FIGURE AND INDEX NO.
AN960-516L	32- 31
AN960-516L	32A- 30
AN960-516L	34- 37
AN960-516L	34A- 31
AN960-6	79- 34
AN960-6	91- 28
AN960-6L	83B- 16
AN960-6L	83C- 3
AN960-6L	83D- 28
AN960-6L	93- 11
AN960-616	54- 3
AN960-616	57- 6
AN960-616	57A- 5
AN960-616	58- 4
AN960-616L	33- 33
AN960-616L	33- 45
AN960-616L	34- 47
AN960-616L	34A- 53
AN960-616L	46- 16
AN960-716	1- 6
AN960-716	33- 50
AN960-716	36B- 46
AN960-716	59- 3
AN960-716	59A- 2
AN960-716	78A- 10
AN960-716	78A- 15
AN960-716L	33- 51
AN960-716L	78- 10
AN960-716L	78- 17
AN960-716L	78- 19
AN960-716L	79A- 33
AN960-8	83B- 71
AN960-8	83C- 57
AN960-8	83C- 68
AN960-8	83C- 72
AN960-8	83C- 77
AN960-8	83C- 79
AN960-8	83D- 40
AN960-8	83D- 67
AN960-8	83D- 76
AN960-8	83D- 79
AN960-8L	54B- 8
AN960-8L	83A- 4
AN960-8L	89- 7
AN960-8L	92- 9
AN960-816	1- 3
AN960-816	11- 5
AN960-816	54A- 3
AN960-816	70- 12
AN960-816L	70- 13
AN960C-416L	60A- 58
AN960C416L	58- 22
AN960C416L	103- 9
AN960C616L	36A- 32
AN960C616L	36B- 36
AN960C616L	36B- 67
AN960C616L	36A- 10
AN960D10	36B- 11
AN960D10L	7- 33
AN960D516	32-27A
AN960D516	32A-27A
AN960D516	79- 58
AN960D516	80A- 2
AN960D6	79A- 6
AN960D616	34- 7
AN960D616	34A- 7
AN960D716	34- 10
AN960D716	34A- 10
AN960D916	82B- 25
AN960D916	83- 13
AN960PD10L	82C- 23
AN970-3	35- 29
AN970-3	36- 30
AN970-3	36A- 43
AN970-3	64- 50

PART NUMBER	FIGURE AND INDEX NO.
AN970-3	64A- 35
AN970-3	64A- 42
AN970-3	64B- 45
AN970-3	79A- 14
AN970-3	91- 35
AN970-4	88- 14
AN970-4	89- 14
AN970-5	52- 11
A109-014-3	51- 10
A1553-012-3	50- 10
A1663-012-3	49- 9
A1663-012-3	49A- 4
A1663-017-1	49- 10
A1663-017-1	51A- 1
A1663-028-1	42- 29
A1663-028-1	42A- 28
A1663-028-1	43- 23
A1788-8Z-1	55A- 11
A1788-8Z-3	34- 4
A1788-8Z-3	56A- 14
A1793-6Z-3	66B- 7
A1804-6Z-3	66A- 5
A1804-6Z-3	66B- 6
A1804-6Z-3	84- 25
A1804-6Z-3	84- 26
A2980-10-27	59- 10
A2980-2-27	85- 13
A2980A-027	68- 32
A2980A-16-27	66B- 14
A2980A-16-27	83- 17
A2980A-2	79- 46
A2980A-2	85- 7
A2980A-2	88- 27
A2980A-2-27	57- 30
A2980A-2-27	57- 47
A2980A-2-27	79- 54
A2980A-20	85- 8
A2980A-3	2- 8
A2980A-3	3- 8
A2980A-3	67- 3
A2980A-32-3	81- 50
A2980A-4-27	76- 2
A2980A-4-27	76- 5
A2980A-4-27	77- 2
A2980A-4-27	77- 5
A2980A-4-27	80A- 15
A2980A-6	23- 11
A2980A-6-27	23A- 15
A2980A-8-6	57- 24
A2981A-10-27	52- 18
A2981A-10-27	58- 44
A2981A-2	85- 8
A2981A-2-27	82B- 4
A2981A-3-27	57- 22
A2981A-4-27	52- 19
A2981A-5	84- 20
A2981A-6	79- 15
A2981A-6-27	51- 26
A2981A-8-27	52- 17
A2981A-8-27	52- 17
A2982A-12-27	60- 36
A2982A-12-27	80A- 14
A2982A-12-27	86A- 12
A2982A-12-27	86A- 16
A2982A-8-27	83- 44
A3046A-4	2- 8
A3046A-4	3- 8
A3046A-4	34- 19
A3046A-4-92	1-29C
A3046A-4-92	34A- 17
A3046A-6	88- 25
A3047-6-92	79- 3
A3047A-11-92	83- 16
A3047A-11-92	83- 29
A3047A-4-92	46- 40

PART NUMBER	FIGURE AND INDEX NO.
A3047A-7-92	89- 23
A3047A-8-92	48- 11
A3047A-8-92	89- 18
A3048A-8-27	83- 29
A3052A-20-27	57- 34
A3122-12-1	23A- 13
A3122-12-1	32- 17
A3122-14-1	82B- 19
A3122-14-1	82B- 30
A3122-14-1	82B- 35
A3122-14-1	83- 33
A3122-14-1	83- 49
A3122-50-1	65- 28
A3493-012-1	88- 28
A3493-012-1	93- 18
A3493-012-3	52- 25
A3493-012-3	89- 19
A3493-1	88- 26
A3499-32-3	68A- 35
A6191-8Z-1	55A- 12
A6191-8Z-3	2- 51
A6191-8Z-3	3- 48
A6191-8Z-3	65- 32
A6195-8Z-3	2- 25
A6195-8Z-3	3- 21
A6195-8Z-3	19- 39
A6196-6Z-3	12A- 18
A6196-6Z-3	12A- 20
A6196-6Z-3	14A- 16
A6227B26	33- 13
A6455-8Z-3	56- 18
A7512-12	1- 25
A8-75	11- 16
B-1341-8	83C- 76
B-1341-8	83D- 82
B-1610	83C- 15
B-1965	54C- 32
B-296-13	83A- 61
B-296-14	83A- 62
B-296-17	83A- 19
B-296-17	83C- 13
B-296-18	83A- 20
B-296-18	83C- 14
B-296-20	83D- 46
B-296-4	83A- 69
B-296-4	83C- 39
B-296-5	83A- 68
B-296-5	83C- 38
B-296-50	83D- 22
B-296-51	83D- 23
B-296-52	83D- 26
B-296-53	83D- 27
B-296-56	83B- 28
B-296-57	83B- 29
B-296-58	83B- 8
B-296-58	83C- 32
B-296-58	83D- 3
B-296-59	83B- 7
B-296-59	83C- 33
B-296-59	83D- 2
B-296-60	83B- 27
B-296-61	83B- 10
B-296-61	83D- 8
B-296-7	83A- 15
B-296-7	83C- 9
B-296-8	83A- 16
B-296-8	83C- 10
B-2965	54C- 17
B-2966	54C- 16
B-2967	54C- 9
B-2968	54C- 39
B-2972-10	54C- 14
B-2972-12	54C- 14
B-2972-14	54C- 14
B-2972-16	54C- 14

PART NUMBER	FIGURE AND INDEX NO.
B-2972-18	54C- 14
B-2972-20	54C- 14
B-2972-8	54C- 14
B-3021	54C- 12
B-610	70- 19
B-674-1	83B- 43
B-674-4	83B- 43
B-674-5	83A- 52
B-766-1	83A- 48
B-766-2	83A- 48
B-804-2	83D- 42
B-804-3	83D- 43
B-903-1	83A- 49
B-903-2	83A- 49
B3005A1	82C- 20
B610	9- 7
B610	10- 6
B610-OH	9- 7
B610-OH	70- 19
B610-P	9- 7
B610-P	70- 19
C-109	32- 14
C-109	32A- 12
C-1132	83A- 45
C-1132	83B- 41
C-1904	54C- 28
C-2953	54C- 19
C-2953-1	54C- 22
C-2953-2	54C- 23
C-2959	54C- 44
C-2960	54C- 43
C-2963	54C- 19
C-2964	54C- 24
C-621	83A- 46
C-622	83A- 46
C-630	83B- 42
C-631	83B- 43
C-6861	39- 27
C-6861	40- 41
C-914	83A- 12
C-914	83C- 6
C-915	83A- 11
C-915	83C- 5
CA-2	46- 31
CA-2	47- 36
CA-2	51A- 50
CCA-7450	80- 14
CR163-4-4	42A- 40
CR163C-4-8	9- 25
CR763-4-2	89- 4
CS-6	83C- 45
CS-6	83C- 61
CS-6	83D- 62
CS-8	83D- 17
CS-8	83D- 61
CS6	83A- 29
CS6	83B- 23
CS6	83B- 45
CS6	83C- 28
CS8	83B- 21
D-2958	54C- 48
D-2970/845-X	54C- 6
D7271-1-10	93- 21
F-620	70- 18
FDC-2475-50	53A- 6
G-37	83C- 73
G-37	83D- 80
GE330	52- 22
GU-300-A	60- 1
GU-300-C	60A- 1
GU-300-D	60A- 1
GU-300-E	60A- 1
IK1-4-6	82C- 6
IK1-4-8	82C- 9
IK1-6-8	82C- 26

PART NUMBER	FIGURE AND INDEX NO.
IK10-4-6	82C- 5
IK9-6-10	82C- 19
LM67010XL	100- 12
LM67048XL	100- 17
M-451	22- 11
M-451	75- 10
MIL-H-5593-6	83B- 18
MS15002-3	33A- 44
MS15570-5	91- 7
MS15570-89	91- 28
MS15584-2	91- 11
MS15584-2	92A- 6
MS16562-16	67- 19
MS16562-16	68- 11
MS16562-17	60A- 26
MS16562-17	60- 25
MS20002-5C	34- 38
MS20002-5C	34- 61
MS20002-5C	34A- 32
MS20002-5C	34A- 45
MS20002-6C	34- 38
MS20002-6C	34A- 32
MS20219-2	83A- 50
MS20230A2	4- 4
MS20230A2	4- 6
MS20230A2	4- 7
MS20230A2	4- 9
MS20230A2	4- 18
MS20230A2	4- 19
MS20230A2	4- 20
MS20230A2	4- 21
MS20230A2	4- 22
MS20230A2	4- 27
MS20230A2	4- 28
MS20364-1032C	32- 37
MS20364-1032C	32A- 34
MS20364-1032C	34- 52
MS20364-1032C	67- 17
MS20364-1032C	68- 17
MS20364-1032C	83C- 49
MS20364-1032C	83C- 74
MS20364-1032C	83C- 83
MS20364-1032C	83D- 57
MS20364-1032C	83D- 81
MS20364-1032C	83D- 86
MS20364-1032C	83D- 88
MS20364-1032C	83D- 92
MS20364-1032C	83D- 98
MS20364-524C	5- 7
MS20364-832C	45- 7
MS20364-832C	68- 34
MS20364-832C	93- 9
MS20365-1032C	7- 3
MS20365-1032C	8- 3
MS20365-1032C	9- 12
MS20365-1032C	9- 18
MS20365-1032C	10- 8
MS20365-1032C	10- 19
MS20365-1032C	15- 8
MS20365-1032C	17- 30
MS20365-1032C	18- 17
MS20365-1032C	18- 39
MS20365-1032C	19- 17
MS20365-1032C	19- 36
MS20365-1032C	20- 4
MS20365-1032C	20- 8
MS20365-1032C	20- 37
MS20365-1032C	20- 44
MS20365-1032C	27- 14
MS20365-1032C	27- 18
MS20365-1032C	27A- 14
MS20365-1032C	27A- 18
MS20365-1032C	28- 6
MS20365-1032C	28- 10
MS20365-1032C	29- 16

PART NUMBER	FIGURE AND INDEX NO.
MS20365-1032C	32- 9
MS20365-1032C	32A- 7
MS20365-1032C	34- 26
MS20365-1032C	34A- 14
MS20365-1032C	34A- 56
MS20365-1032C	35- 24
MS20365-1032C	35- 28
MS20365-1032C	36- 17
MS20365-1032C	36- 30
MS20365-1032C	36A- 28
MS20365-1032C	36A- 43
MS20365-1032C	36B- 60
MS20365-1032C	42- 3
MS20365-1032C	42A- 2
MS20365-1032C	43- 3
MS20365-1032C	45A- 5
MS20365-1032C	46- 39
MS20365-1032C	57- 16
MS20365-1032C	57- 21
MS20365-1032C	57- 42
MS20365-1032C	57A- 8
MS20365-1032C	57A- 17
MS20365-1032C	57A- 32
MS20365-1032C	57A- 38
MS20365-1032C	58- 11
MS20365-1032C	58- 17
MS20365-1032C	58- 26
MS20365-1032C	58- 28
MS20365-1032C	58- 37
MS20365-1032C	58- 41
MS20365-1032C	58- 52
MS20365-1032C	58- 53
MS20365-1032C	58- 59
MS20365-1032C	59- 18
MS20365-1032C	59A- 33
MS20365-1032C	60A- 13
MS20365-1032C	60A- 36
MS20365-1032C	61- 6
MS20365-1032C	61- 10
MS20365-1032C	62- 15
MS20365-1032C	60- 15
MS20365-1032C	60-29B
MS20365-1032C	66- 24
MS20365-1032C	68A- 16
MS20365-1032C	68A- 48
MS20365-1032C	69- 10
MS20365-1032C	69- 18
MS20365-1032C	69- 23
MS20365-1032C	69- 29
MS20365-1032C	69- 44
MS20365-1032C	70- 10
MS20365-1032C	70- 16
MS20365-1032C	70- 23
MS20365-1032C	72- 48
MS20365-1032C	72- 61
MS20365-1032C	73- 23
MS20365-1032C	73- 27
MS20365-1032C	73- 32
MS20365-1032C	73- 37
MS20365-1032C	73- 42
MS20365-1032C	73- 46
MS20365-1032C	75- 8
MS20365-1032C	75- 15
MS20365-1032C	75- 21
MS20365-1032C	75- 26
MS20365-1032C	79- 22
MS20364-1032C	60B- 5
MS20365-1032C	60B- 18
MS20365-1032C	79A- 14
MS20365-1032C	79A- 19
MS20365-1032C	79A- 26
MS20365-1032C	80- 30
MS20365-1032C	80- 36
MS20365-1032C	81- 53
MS20365-1032C	82- 20

PART NUMBER	FIGURE AND INDEX NO.
MS20365-1032C	82A- 22
MS20365-1032C	83- 37
MS20365-1032C	83A- 43
MS20365-1032C	83A- 57
MS20365-1032C	83B- 36
MS20365-1032C	83B- 40
MS20365-1032C	83B- 55
MS20365-1032C	83B- 60
MS20365-1032C	83B- 69
MS20365-1032C	83D- 96
MS20365-1032C	86- 4
MS20365-1032C	86A- 4
MS20365-1032C	87- 18
MS20365-1032C	87- 26
MS20365-1032C	87A- 12
MS20365-1032C	88- 3
MS20365-1032C	88- 15
MS20365-1032C	89- 3
MS20365-1032C	89- 7
MS20365-1032C	89- 15
MS20365-1032C	74- 7
MS20365-416C	9- 4
MS20365-428C	9- 10
MS20365-428C	10- 3
MS20365-428C	14- 4
MS20365-428C	14- 8
MS20365-428C	14A- 4
MS20365-428C	14A- 4
MS20365-428C	15- 4
MS20365-428C	15- 14
MS20365-428C	18- 19
MS20365-428C	19- 19
MS20365-428C	33- 12
MS20365-428C	33- 39
MS20365-428C	33A- 8
MS20365-428C	35- 4
MS20365-428C	35- 33
MS20365-428C	36- 5
MS20365-428C	36- 34
MS20365-428C	36A- 8
MS20365-428C	36A- 45
MS20365-428C	36B- 8
MS20365-428C	36B- 40
MS20365-428C	37- 4
MS20365-428C	37- 9
MS20365-428C	37- 12
MS20365-428C	37- 14
MS20365-428C	38- 9
MS20365-428C	38- 12
MS20365-428C	38- 14
MS20365-428C	38A- 4
MS20365-428C	38A- 17
MS20365-428C	57- 29
MS20365-428C	57A- 22
MS20365-428C	58- 20
MS20365-428C	58- 32
MS20365-428C	58- 46
MS20365-428C	59A- 6
MS20365-428C	61- 18
MS20365-428C	62- 20
MS20365-428C	60A- 58
MS20365-428C	60B- 27
MS20365-428C	70- 4
MS20365-428C	71- 17
MS20365-428C	71- 21
MS20365-428C	71A- 17
MS20365-428C	71A- 21
MS20365-428C	72- 5
MS20365-428C	72- 13
MS20365-428C	72- 18
MS20365-428C	72- 25
MS20365-428C	72- 30
MS20365-428C	72- 34
MS20365-428C	72- 38
MS20365-428C	72- 43

PART NUMBER	FIGURE AND INDEX NO.
MS20365-428C	72- 55
MS20365-428C	73- 53
MS20365-428C	73- 69
MS20365-428C	74- 3
MS20365-428C	74- 22
MS20365-428C	74- 25
MS20365-428C	74- 29
MS20365-428C	80- 5
MS20365-428C	81- 14
MS20365-428C	84- 2
MS20365-428C	87- 19
MS20365-428C	87- 23
MS20365-428C	87A- 10
MS20365-428C	88- 7
MS20365-428C	88- 9
MS20365-428C	88- 12
MS20365-428C	88- 14
MS20365-428C	88- 16
MS20365-428C	100A- 12
MS20365-428C	104- 6
MS20365-428C	104- 11
MS20365-428C	59- 6
MS20365-440C	82- 42
MS20365-440C	83A- 53
MS20365-440C	83B- 52
MS20365-440C	83B- 65
MS20365-440C	83C- 77
MS20365-440C	83D- 83
MS20365-440C	83D- 94
MS20365-524C	11- 10
MS20365-524C	12- 5
MS20365-524C	12A- 4
MS20365-524C	13- 8
MS20365-524C	13- 11
MS20365-524C	18- 43
MS20365-524C	19- 46
MS20365-524C	32- 2
MS20365-524C	32- 4
MS20365-524C	32- 28
MS20365-524C	32- 39
MS20365-524C	32A- 2
MS20365-524C	32A- 26
MS20365-524C	33- 4
MS20365-524C	33- 7
MS20365-524C	33A- 4
MS20365-524C	34- 36
MS20365-524C	34- 38
MS20365-524C	34- 60
MS20365-524C	34A- 28
MS20365-524C	34A- 32
MS20365-524C	34A- 44
MS20365-524C	52- 12
MS20365-624C	20- 52
MS20365-624C	32- 10
MS20365-624C	32A- 8
MS20365-624C	34- 8
MS20365-624C	34- 34
MS20365-624C	34- 38
MS20365-624C	34- 58
MS20365-624C	34A- 6
MS20365-624C	34A- 30
MS20365-624C	34A- 32
MS20365-624C	34A- 42
MS20365-624C	57- 4
MS20365-624C	57A- 3
MS20365-624C	58- 6
MS20365-632C	41- 13
MS20365-632C	46- 37
MS20365-632C	46- 42
MS20365-632C	47- 35
MS20365-632C	47- 49
MS20365-632C	51- 23
MS20365-632C	51- 29
MS20365-632C	51A- 52
MS20365-632C	51B- 28

PART NUMBER	FIGURE AND INDEX NO.
MS20365-632C	51B- 33
MS20365-632C	67- 14
MS20365-632C	68- 14
MS20365-632C	76- 5
MS20365-632C	77- 5
MS20365-632C	79A- 5
MS20365-632C	82- 45
MS20365-632C	83B- 15
MS20365-632C	83D- 28
MS20365-632C	85- 18
MS20365-632C	90- 13
MS20365-632C	91- 28
MS20365-632C	102- 18
MS20365-720C	1- 5
MS20365-720C	34- 11
MS20365-720C	34A- 9
MS20365-720C	59- 3
MS20365-720C	59A- 2
MS20365-820C	1- 2
MS20365-820C	11- 5
MS20365-820C	54A- 3
MS20365-832C	34- 21
MS20365-832C	34A- 19
MS20365-832C	38A- 7
MS20365-832C	38A- 9
MS20365-832C	48- 9
MS20365-832C	59- 21
MS20365-832C	59- 30
MS20365-832C	59A- 19
MS20365-832C	83A- 5
MS20365-832C	83B- 4
MS20365-832C	83B- 72
MS20365-832C	83C- 57
MS20365-832C	83C- 79
MS20365-832C	83C- 86
MS20365-832C	83D- 21
MS20365-832C	83D- 41
MS20365-832C	83D- 67
MS20365-832C	83D- 76
MS20365-832C	92- 11
MS20365-832C	47- 38
MS20365B-632C	82A- 1
MS20365B1032C	82A- 2
MS20365B1032C	82B- 1
MS20365B1032C	82B- 2
MS20365B632C	51- 13
MS20365D420C	60B- 22
MS20392-1-15	35- 18
MS20392-1-15	36- 21
MS20392-1-15	36A- 20
MS20392-1-15	36B- 33
MS20392-1-19	42A- 33
MS20392-1-21	35- 2
MS20392-1-21	36- 3
MS20392-1-21	36A- 1
MS20392-1-21	36B- 2
MS20392-1-39	36A- 35
MS20392-1-39	36B- 70
MS20392-1-49	45A- 6
MS20392-1-53	44- 13
MS20392-1-57	72- 23
MS20392-1-7	80- 38
MS20392-2-13	58- 67
MS20392-2-15	69- 13
MS20392-2-15	69- 39
MS20392-2-17	36B- 55
MS20392-2-20	36B- 42
MS20392-2-23	36B- 62
MS20392-2-31	36- 25
MS20392-2-31	36A- 16
MS20392-2-9	53A- 3
MS20392-3-27	42- 24
MS20392-3-27	43- 23
MS20426AD10	11- 7
MS20426AD10	11- 9

PART NUMBER	FIGURE AND INDEX NO.
MS20435-4	32- 11
MS20435-4	32A- 11
MS20470AD4	91- 17
MS20822-2D	82-25A
MS20822-2D	82C- 14
MS20822-2D	82- 50
MS20822-2D	82A- 7
MS20822-2D	82B- 7
MS20822-2D	83C- 23
MS20822-2D	83D- 53
MS20822-4-4D	78- 3
MS20822-4D	51A- 61
MS20822-4D	76- 8A
MS20822-4D	76- 15
MS20822-4D	76- 20
MS20822-4D	77- 16
MS20822-4D	77- 20
MS20822-4D	79A- 25
MS20822-4D	79A- 27
MS20822-4D	81- 55
MS20822-6	59A- 15
MS20822-6-6D	82B- 14
MS20822-6-6D	83-12A
MS20822-6-6D	83- 23
MS20822-6-8D	82B- 14
MS20822-6-8D	83-12A
MS20822-6B	59- 14
MS20822-6D	60A- 10
MS20822-6D	60- 12
MS20822-6D	79- 55
MS20822-6D	82- 27
MS20822-6D	82- 28
MS20822-6D	82-36A
MS20822-6D	82A- 18
MS20822-8D	79- 55
MS20822-8D	83- 25
MS20822D8D	86A- 10
MS20913-10	103- 14
MS20913-2D	82- 33
MS20913-2D	82- 33
MS20913-3D	82A- 25
MS21919DG-12	79- 55
MS21919DG-12	86A- 17
MS21919DG-6	89- 6
MS21919DGI2	60- 37
MS21919DGI2	86A- 13
MS21919DGI8	83B- 26
MS21919DG3	85- 24
MS21919DG3	93- 20
MS21919DGI6	81- 16
MS21919DGI6	81- 21
MS21919WDG-9	83C- 49
MS21919WDGI2	83D- 57
MS24665-130	36B- 70
MS24665-130	72- 22
MS24665-132	32- 7
MS24665-132	32A- 5
MS24665-132	33- 74
MS24665-132	33A- 33
MS24665-132	36A- 23
MS24665-132	36A- 36
MS24665-132	36B- 31
MS24665-132	36B- 42
MS24665-132	36B- 55
MS24665-132	36B- 64
MS24665-132	42A- 33
MS24665-132	44- 15
MS24665-132	45A- 7
MS24665-132	58- 65
MS24665-132	60B- 4
MS24665-132	69- 5
MS24665-132	69- 14
MS24665-132	69- 35
MS24665-132	69- 40
MS24665-132	73- 28

PART NUMBER	FIGURE AND INDEX NO.
MS24665-132	80- 40
MS24665-132	86- 21
MS24665-134	7- 28
MS24665-134	32- 24
MS24665-134	32A- 19
MS24665-134	32A- 36
MS24665-134	33- 53
MS24665-134	33- 62
MS24665-134	33- 70
MS24665-134	33A- 28
MS24665-134	33A- 40
MS24665-134	36- 22
MS24665-134	36- 26
MS24665-134	36A- 17
MS24665-134	36A- 21
MS24665-134	36B- 33
MS24665-134	36B- 36
MS24665-134	55- 41
MS24665-134	56A- 46
MS24665-134	71- 4
MS24665-134	71- 9
MS24665-134	71A- 4
MS24665-134	71A- 9
MS24665-134	72- 58
MS24665-134	73- 5
MS24665-134	73- 10
MS24665-134	73- 12
MS24665-134	73- 16
MS24665-134	73- 20
MS24665-134	73- 24
MS24665-134	73- 38
MS24665-134	73- 43
MS24665-134	74- 12
MS24665-134	74- 17
MS24665-134	79- 28
MS24665-136	32- 33
MS24665-136	32A- 31
MS24665-136	71- 22
MS24665-136	71A- 22
MS24665-136	72- 32
MS24665-136	73- 33
MS24665-136	74- 26
MS24665-136	79- 36
MS24665-140	72- 46
MS24665-148	35- 2
MS24665-148	36- 3
MS24665-148	36A- 1
MS24665-148	36B- 2
MS24665-148	53A- 5
MS24665-281	80- 21
MS24665-285	33- 35
MS24665-285	33- 47
MS24665-285	36- 19
MS24665-285	36A- 19
MS24665-285	36B- 34
MS24665-285	69- 3
MS24665-285	69- 33
MS24665-287	104- 4
MS24665-3	72- 7
MS24665-351	34- 30
MS24665-351	34A- 24
MS24665-351	35- 12
MS24665-351	35- 15
MS24665-351	35- 19
MS24665-351	36B- 46
MS24665-351	35- 2
MS24665-353	71- 18
MS24665-355	71A- 18
MS24665-355	72- 28
MS24665-355	75- 27
MS24665-355	34- 42
MS24665-362	34A- 47
MS24665-362	68- 30
MS24665-362	33- 20
MS28782-32	33A- 19
MS28782-32	

PART NUMBER	FIGURE AND INDEX NO.
MS28782-6	101- 5
MS29513-7	80- 17
MS35489-11	26- 6
MS35489-11	64B-11A
MS35489-11	83B- 47
MS35489-11	88- 23
MS35489-11	89- 24
MS35489-11	79- 5
MS35489-118S	26- 17
MS35489-118S	26A- 23
MS35489-12	23A- 10
MS35489-12	79- 40
MS35489-12S	84- 19
MS35489-13	26- 1
MS35489-13	26A- 12
MS35489-13	89- 17
MS35489-134	92A- 4
MS35489-15S	79- 40
MS35489-16	7- 30
MS35489-17	52- 9
MS35489-17	64- 8
MS35489-17	83A- 59
MS35489-17	89- 22
MS35489-19	23- 12
MS35489-19	89- 21
MS35489-20	26- 11
MS35489-20	26A- 17
MS35489-20	64A- 8
MS35489-20	64B- 13
MS35489-20	89- 20
MS35489-20S	19- 34
MS35489-22	63- 30
MS35489-22	64- 7
MS35489-22	64A- 9
MS35489-22	64B- 12
MS35489-33	27- 58
MS35489-33	52- 24
MS35489-4	14- 35
MS35489-4	17- 48
MS35489-4	88- 29
MS35489-4	91- 19
MS35489-6	4- 10
MS35489-6	83B- 46
MS35489-6	93- 19
MS35489-6	93- 19
MS35489-6	78- 20
MS35489-7S	78A- 21
MS35489-7S	26- 22
MS35489-8S	26- 27
MS35489-8S	26A- 2
MS35489-8S	26A- 7
M74CR524-12E	83A- 24
M74CR524-12E	83C- 20
NAS1068A4	58- 12
NAS145-35	34- 59
NAS145-35	34A- 43
NAS145-39	34- 38
NAS145-39	34A- 32
NAS145-41	34- 38
NAS145-41	34A- 32
NAS146-35	34- 57
NAS146-35	34A- 41
NAS146-40	34- 38
NAS146-40	34A- 32
NAS146-42	34- 38
NAS146-42	34A- 32
NAS178-8-6	29- 3
NAS178-8-6	29- 6
NAS178-8-7	20- 31
NAS178-8-7	20- 53
NAS178-8-7	29- 9
NAS178-8-7	20- 32
NAS179-8	20- 54
NAS179-8	29- 3
NAS179-8	29- 6

PART NUMBER	FIGURE AND INDEX NO.
NAS179-8	29- 9
NAS220-4	34A- 23
NAS220-6	34- 20
NAS220-6	34A- 18
NAS221-10	34- 25
NAS221-10	52- 3
NAS221-5	83C- 49
NAS221-5	83D- 57
NAS221-7	32A- 34
NAS221-8	2- 48
NAS221-8	3- 44
NAS221-8	9- 17
NAS221-9	34A- 15
NAS228-12	1- 16
NAS228-12	1- 16
NAS228-7	1- 16
NAS228-8	1- 16
NAS228-8	1- 16
NAS228-9	1- 16
NAS288-35LH	72- 10
NAS288-35RH	72- 11
NAS395-1-3	49A- 15
NAS395-1-3	90- 3
NAS395-1-3	91- 2
NAS395-1-3	91- 23
NAS395-10-3	42- 23
NAS395-12-3	6- 10
NAS395-12-3	17- 22
NAS395-12-3	17- 24
NAS395-12-3	39- 26
NAS395-12-3	39- 27
NAS395-12-3	40- 40
NAS395-12-3	40- 41
NAS395-14-3	4- 13
NAS395-14-3	6- 8
NAS395-14-3	6- 8
NAS395-14-3	10- 34
NAS395-14-3	13- 30
NAS395-14-3	17- 38
NAS395-14-3	18- 34
NAS395-14-3	18- 38
NAS395-14-3	19- 29
NAS395-14-3	27- 56
NAS395-14-3	31- 16
NAS395-14-3	55- 8
NAS395-14-3	55- 36
NAS395-14-3	61- 22
NAS395-14-3	62- 6
NAS395-16-3	65- 3
NAS395-16-3	40- 11
NAS395-16-3	42A- 22
NAS395-16-3	43- 23
NAS395-16-3	65- 16
NAS395-16-3	66B- 10
NAS395-16-3	76- 2
NAS395-16-3	76- 5
NAS395-16-3	77- 2
NAS395-16-3	77- 5
NAS395-17-3	1- 30
NAS395-17-3	34A- 3
NAS395-18-3	56- 16
NAS395-18-3	79- 23
NAS395-19-3	66B- 15
NAS395-3-3	19- 33
NAS395-4-3	2- 26
NAS395-4-3	3- 22
NAS395-5-3	83A- 66
NAS395-5-3	83C- 37
NAS395-6-3	17- 46
NAS395-6-3	28- 22
NAS395-6-3	49A- 3
NAS396-6-3	66B- 10
NAS397-10	76- 6
NAS397-10	77- 6
NAS397-10	82C- 4

PART NUMBER	FIGURE AND INDEX NO.
NAS397-12	32A- 15
NAS397-12	79- 8
NAS397-12	82- 12
NAS397-12	82- 13
NAS397-12	82C- 8
NAS397-12-59	23- 10
NAS397-14	82C- 25
NAS397-14	82C- 28
NAS397-14	82C- 31
NAS397-16	60A- 17
NAS397-16	60A- 8
NAS397-16	66A- 15
NAS397-16	66B- 17
NAS397-16	82C- 18
NAS397-16	86A- 22
NAS397-16	88- 12
NAS397-16-1	59A- 11
NAS397-16-1	59A- 17
NAS397-16-1	60- 17
NAS397-18	66A- 10
NAS397-18	66B- 13
NAS397-32	59- 32
NAS397-32	59- 34
NAS397-32	67- 30
NAS397-32	68- 27
NAS397-50	60- 31
NAS398-16	59- 13
NAS398-16	60- 8
NAS398-50	57- 43
NAS398-50	57- 45
NAS398-50	58- 42
NAS398-50	58- 44
NAS398-50	59A- 26
NAS398-50	59A- 27
NAS398-50	59A- 29
NAS398-50	60A- 32
NAS398-50	60A- 34
NAS398-50	60- 33
NAS398-50	66- 20
NAS398-50	67- 6
NAS398-50	67- 8
NAS398-50	67- 10
NAS398-50	68- 5
NAS398-50	68- 6
NAS398-50	68- 8
NAS398-50	68A- 2
NAS398-50	68A- 4
NAS398-50	68A- 7A
NAS398-50	68A- 9
NAS398-50	68A- 12
NAS398-54	56A- 37
NAS398-66	57A- 40
NAS398-66	68A- 25
NAS398-66	68A- 45
NAS42-4-16	73- 61
NAS42-4-48	91- 18
NAS42-6-8	69- 36
NAS42HT5-36	73- 60
NAS428-4-16	36A- 3
NAS428-5-3	51A- 55
NAS428H3-12	71- 12
NAS428H3-12	71A- 12
NAS428H3-16	13- 1
NAS43-3-12	69- 41
NAS43-3-24	89- 7
NAS43-3-6	38A- 3
NAS43-3-9	58- 52
NAS43-4-10	38- 4
NAS43-4-10	73- 47
NAS43-4-16	72- 39
NAS43-4-16	72- 50
NAS43-4-20	35- 32
NAS43-4-20	36- 33
NAS43-4-20	36A- 45
NAS43-4-20	37- 11

PART NUMBER	FIGURE AND INDEX NO.
NAS43-4-20	38- 11
NAS43-4-28	72- 40
NAS43-4-42	72- 44
NAS43-4-47	37- 9
NAS43-4-47	38- 9
NAS43-7-237	73- 51
NAS43DD3-23	78A- 29
NAS43DD3-27	44- 18
NAS43DD3-5	66- 14
NAS43D10	58- 44
NAS434-D10	81- 20
NAS434-D12	79- 55
NAS434-D16	59A- 20
NAS434-D2	82A- 4
NAS434-D2	82C- 15
NAS434-12	60A- 8
NAS434-16D	81- 17
NAS434-3D	58- 56
NAS434D10	59- 10
NAS434D10	59A- 13
NAS434D10	60- 10
NAS434D10	68A- 11
NAS434D12	68A- 7
NAS434D12	68A- 10
NAS434D16	59- 23
NAS434D6	58- 71
NAS435D5	88- 21
NAS435D5	90- 10
NAS435D7	88- 22
NAS435D8	88- 20
NAS437-1C	88- 24
NAS437-2C	88- 17
NAS437-3C	88- 18
NAS437-3C1	85- 20
NAS444-1	4- 18
NAS444-4	2- 11
NAS444-4	3- 11
NAS444-4	17- 45
NAS444-4	45- 2
NAS444-4	55- 16
NAS444-4	56- 17
NAS444-4	65- 13
NAS444-4	65- 20
NAS444-4	65- 25
NAS444-4-3	65- 40
NAS444-5	4- 5
NAS444-5	4- 11
NAS444-5	4- 25
NAS444-5	18- 37
NAS444-5	24- 15
NAS444-5	25- 11
NAS444-5	27- 59
NAS444-5	27A- 54
NAS445-2	93- 6
NAS445-3	61- 23
NAS445-3	61- 26
NAS445-4	87A- 7
NAS445-5	2- 51
NAS445-5	3- 48
NAS446-1-3	39- 9
NAS446-1-3	40- 19
NAS446-1-3	40- 24
NAS446-1-3	53- 8
NAS446-1-3	53- 14
NAS446-1-3	91- 31
NAS446-2-3	18- 23
NAS446-2-3	22- 3
NAS446-2-3	40- 5
NAS446-2-3	46- 24
NAS446-2-3	49- 13
NAS446-2-3	49- 19
NAS446-2-3	51A- 43
NAS446-2-3	61- 23
NAS446-2-3	61- 26
NAS446-2-3	65- 8

PART NUMBER	FIGURE AND INDEX NO.
NAS446-2-3	88- 7
NAS446-2-3	89- 7
NAS446-2-3	91- 7
NAS446-2-3	91- 10
NAS446-2-3	91- 15
NAS446-2-3	91- 28
NAS446-2-3	92A- 2
NAS446-2-3	92A- 5
NAS446-4	85- 25
NAS446-4-3	2- 10
NAS446-4-3	3- 10
NAS446-4-3	4- 15
NAS446-4-3	23- 11
NAS446-4-3	23A- 17
NAS446-4-3	26- 5
NAS446-4-3	26- 10
NAS446-4-3	26- 16
NAS446-4-3	26- 21
NAS446-4-3	26- 26
NAS446-4-3	26- 31
NAS446-4-3	26A- 6
NAS446-4-3	26A- 11
NAS446-4-3	26A- 16
NAS446-4-3	26A- 22
NAS446-4-3	26A- 27
NAS446-4-3	40- 57
NAS446-4-3	41- 18
NAS446-4-3	41- 19
NAS446-4-3	46- 30
NAS446-4-3	47- 31
NAS446-4-3	49- 7
NAS446-4-3	51A- 49
NAS446-4-3	55- 15
NAS446-4-3	57- 25
NAS446-4-3	57- 32
NAS446-4-3	57- 36
NAS446-4-3	57- 47
NAS446-4-3	57A- 26
NAS446-4-3	57A- 36
NAS446-4-3	57A- 44
NAS446-4-3	59A- 28
NAS446-4-3	59A- 30
NAS446-4-3	63- 3
NAS446-4-3	63- 9
NAS446-4-3	63- 14
NAS446-4-3	63- 21
NAS446-4-3	64- 15
NAS446-4-3	64- 18
NAS446-4-3	64- 23
NAS446-4-3	64- 30
NAS446-4-3	64- 36
NAS446-4-3	64- 42
NAS446-4-3	64A- 14
NAS446-4-3	64A- 17
NAS446-4-3	64A- 21
NAS446-4-3	64A- 27
NAS446-4-3	64A- 48
NAS446-4-3	64B- 19
NAS446-4-3	64B- 22
NAS446-4-3	64B- 29
NAS446-4-3	64B- 29
NAS446-4-3	64B- 29
NAS446-4-3	64B- 35
NAS446-4-3	66- 3
NAS446-4-3	66A- 8
NAS446-4-3	66A- 13
NAS446-4-3	78- 28
NAS446-4-3	78A- 27
NAS446-4-3	78A- 31
NAS446-4-3	78A- 36
NAS446-4-3	79- 46
NAS446-4-3	79- 54
NAS446-4-3	80- 27
NAS446-4-3	83- 40
NAS446-4-3	83B- 26

PART NUMBER	FIGURE AND INDEX NO.
NAS446-4-3	85 7
NAS446-4-3	86- 10
NAS446-4-3	86- 14
NAS446-4-3	86- 32
NAS446-4-3	88- 12
NAS446-4-3	88- 19
NAS446-4-3	89- 17
NAS446-4-3	89- 20
NAS446-4-3	93- 20
NAS448-1	49- 8
NAS450-85	5- 13
NAS464-3-22	33- 71
NAS464-3-22	33A- 31
NAS488-7-3	7- 14
NAS488-7-3	8- 14
NAS506-4	14- 37
NAS557-12A	26A- 12
NAS557-3A	26A- 7
NAS557-4A	26A- 2
NAS557-6A	25- 1
NAS557-6A	26A- 1
NAS557-6A	26A- 23
NAS561-6-18	36B- 25
NAS561-6-18	36B- 27
NAS561-6-18	36B- 53
NAS561C2-10	36A- 33
NAS561C2-10	36A- 41
NAS561C2-8	68A- 42
NAS561C3-10	36B- 22
NAS561C3-10	36B- 67
NAS561C3-12	36A- 30
NAS561C3-12	36B- 68
NAS561P3-4	75- 5
NAS561P3-8	36B- 38
NAS561P3-8	103- 2
NAS561P4-10	36B- 44
NAS561P4-12	36B- 50
NAS561P4-14	101- 20
NAS561P4-14	101- 26
NAS561P4-8	36B- 48
NAS603-10	36B- 12
NAS603-16	36A- 9
NAS669-131	101- 9
NAS669-131	101- 11
NAS669-212	99- 34
NAS670-275	33- 28
NAS670-275	33A- 45
NAS68A3	27A- 7
NAS680A08	2- 11
NAS680A08	2- 14
NAS680A08	3- 11
NAS680A08	3- 13
NAS680A08	3- 46
NAS680A08	4- 24
NAS680A08	5- 3
NAS680A08	5- 12
NAS680A08	6- 24
NAS680A08	45A- 10
NAS680A08	45A- 14
NAS680A08	54A- 12
NAS680A08	54B- 11
NAS680A08	64B- 61
NAS680A3	10- 29
NAS680A3	13- 50
NAS680A3	10- 10
NAS680A3	20- 19
NAS680A3	20- 29
NAS680A3	27- 22
NAS680A3	27- 23
NAS680A3	27- 24
NAS680A3	27- 61
NAS680A3	29- 21
NAS680A3	64- 53
NAS680A3	64- 54
NAS680A3	64A- 36

PART NUMBER	FIGURE AND INDEX NO.
NAS680A3	64A- 39
NAS680A3	64A- 43
NAS680A3	64B- 42
NAS680A3	64B- 43
NAS680A3	64B- 60
NAS680A3	83- 41
NAS680A3	86A- 28
NAS680A3	86A- 31
NAS680A4	23- 4
NAS680A4	24- 16
NAS680A4	24A- 16
NAS680A4	25- 18
NAS680A4	27- 60
NAS680A4	27A- 53
NAS680A4	29- 22
NAS680A4	52- 7
NAS680A4	31- 19
NAS680A5	54A- 8
NAS680A8	54- 7
NAS681A08	28- 17
NAS682A08	28- 20
NAS682A08	54A- 13
NAS682A08	54B- 12
NAS684A08	45A- 16
NAS686A3	34- 44
NAS686A3	34A- 49
NAS697A08	55A- 27
NAS697A08	64- 6
NAS697A08	64B- 16
NAS697A3	56- 15
NAS697A3	56A- 35
NAS697A3	64B- 63
NAS698A08	55A- 28
NAS698A4	14A- 8
NAS70A-128-313	44- 14
NAS75-3-009	32- 7
NAS75-3-009	32A- 5
NAS75-3-016	32- 7
NAS77-3-23	33- 75
NAS77-3-23	33A- 42
NAS77-6-88	33- 63
NAS77-6-88	33- 75
NAS77-6-88	33A- 35
NAS77-6-88	33A- 43
NAS77-8-88	33- 40
NAS77-8-88	33- 54
PA-2	51A- 50
PN-3	15- 47
P116-499-18-495	49- 30
Q-901-36	60A- 36
R3M	90- 1
R4G	56- 41
S-1003-29A	13- 32
S-1003-29A	13- 34
S-1003-43A	69- 26
S-1003-9A	103- 11
S-1005-084	42- 44
S-1021-6-4	19- 32
S-1021A-10-10	5- 5
S-1021A-10-10	5- 10
S-1021A-4-6	41- 16
S-1021A-6-6	93- 2
S-1021A-8-6	64A- 13
S-1021A-8-6	64A- 16
S-1021A-8-6	64A- 20
S-1021A-8-6	64A- 26
S-1021A-8-6	64A- 47
S-1021A-8-6	64B- 18
S-1021A-8-6	64B- 21
S-1021A-8-6	60- 37
S-1021A-8-6	64B- 34
S-1021S-6-6	84- 24
S-1021Z-10-8	40- 57
S-1021Z-10-8	59- 24
S-1021Z-10-8	59A- 21

PART NUMBER	FIGURE AND INDEX NO.
S-1021Z-10-8	79- 55
S-1021Z-10-8	80A- 10
S-1021Z-10-8	80A- 16
S-1021Z-10-8	81- 18
S-1021Z-10-8	81- 22
S-1021Z-10-8	83- 18
S-1021Z-10-8	79A- 35
S-1021Z-4-4	41- 27
S-1021Z-4-4	41- 32
S-1021Z-4-4	42- 13
S-1021Z-4-4	42A- 12
S-1021Z-4-4	43- 13
S-1021Z-4-4	91- 22
S-1021Z-4-5	49A- 16
S-1021Z-4-6	36A- 39
S-1021Z-4-6	36B- 18
S-1021Z-4-6	41- 30
S-1021Z-4-6	53- 8
S-1021Z-4-6	53- 13
S-1021Z-4-6	79- 26
S-1021Z-4-6	90- 2
S-1021Z-4-6	90- 11
S-1021Z-4-6	91- 30
S-1021Z-4-8	39- 9
S-1021Z-4-8	39- 17
S-1021Z-4-8	40- 19
S-1021Z-4-8	40- 24
S-1021Z-4-8	40- 31
S-1021Z-4-8C	40- 58
S-1021Z-6-4	12A- 17
S-1021Z-6-4	14A- 15
S-1021Z-6-4	35- 9
S-1021Z-6-4	37- 6
S-1021Z-6-4	38- 6
S-1021Z-6-4	93- 5
S-1021Z-6-4	1- 24
S-1021Z-6-6	18- 23
S-1021Z-6-6	39- 24
S-1021Z-6-6	39- 30
S-1021Z-6-6	40- 38
S-1021Z-6-6	40- 44
S-1021Z-6-6	49- 4
S-1021Z-6-6	49- 5
S-1021Z-6-6	49- 6
S-1021Z-6-6	49- 12
S-1021Z-6-6	49- 17
S-1021Z-6-6	49- 18
S-1021Z-6-6	49A- 2
S-1021Z-6-6	49A- 5
S-1021Z-6-6	51- 26
S-1021Z-6-6	58- 70
S-1021Z-6-6	65- 7
S-1021Z-6-6	84- 26
S-1021Z-6-6	88- 7
S-1021Z-6-6	89- 7
S-1021Z-6-6	91- 1
S-1021Z-6-6	91- 9
S-1021Z-6-6	91- 14
S-1021Z-6-6	92A- 5
S-1021Z-6-6	93- 7
S-1021Z-6-8	13- 53
S-1021Z-6-8	36- 13
S-1021Z-6-8	36A- 38
S-1021Z-6-8	40- 5
S-1021Z-6-8	41- 16
S-1021Z-6-8	41- 18
S-1021Z-6-8	41- 19
S-1021Z-6-8	46- 24
S-1021Z-6-8	51A- 43
S-1021Z-6-8	61- 25
S-1021Z-6-8	61- 28
S-1021Z-6-8	79A- 36
S-1021Z-6-8	83A- 66
S-1021Z-6-8	83C- 48
S-1021Z-6-8	83C- 51

PART NUMBER	FIGURE AND INDEX NO.
S-1021Z-6-8	83C- 63
S-1021Z-6-8	83D- 35
S-1021Z-6-8	83D- 72
S-1021Z-6-8	86A- 5
S-1021Z-6-8	91- 6
S-1021Z-6-8	91- 27
S-1021Z-6-8	92A- 2
S-1021Z-6-8C	66A- 4
S-1021Z-6-8C	66B- 6
S-1021Z-8-10	7- 21
S-1021Z-8-10	8- 20
S-1021Z-8-10	66B- 15
S-1021Z-8-10	83B- 26
S-1021Z-8-10	85- 13
S-1021Z-8-10	85- 25
S-1021Z-8-10	57A- 29
S-1021Z-8-12	59A- 13
S-1021Z-8-12	60A- 8
S-1021Z-8-12	64- 17
S-1021Z-8-12	64- 22
S-1021Z-8-12	64- 29
S-1021Z-8-14	41- 21
S-1021Z-8-14	78A- 27
S-1021Z-8-3	10- 36
S-1021Z-8-3	86- 13
S-1021Z-8-6	1- 20
S-1021Z-8-6	1- 22
S-1021Z-8-6	1-29B
S-1021Z-8-6	1- 30
S-1021Z-8-6	1- 39
S-1021Z-8-6	22- 14
S-1021Z-8-6	23- 11
S-1021Z-8-6	23A- 16
S-1021Z-8-6	24- 15
S-1021Z-8-6	26- 4
S-1021Z-8-6	26- 9
S-1021Z-8-6	26- 15
S-1021Z-8-6	26- 20
S-1021Z-8-6	26- 25
S-1021Z-8-6	26- 30
S-1021Z-8-6	26A- 5
S-1021Z-8-6	26A- 10
S-1021Z-8-6	26A- 15
S-1021Z-8-6	26A- 21
S-1021Z-8-6	41- 8
S-1021Z-8-6	46- 40
S-1021Z-8-6	47- 30
S-1021Z-8-6	55- 15
S-1021Z-8-6	57- 23
S-1021Z-8-6	57- 31
S-1021Z-8-6	57- 35
S-1021Z-8-6	57- 47
S-1021Z-8-6	57A- 27
S-1021Z-8-6	57A- 37
S-1021Z-8-6	57A- 45
S-1021Z-8-6	59A- 28
S-1021Z-8-6	61- 21
S-1021Z-8-6	62- 5
S-1021Z-8-6	63- 2
S-1021Z-8-6	63- 8
S-1021Z-8-6	63- 14
S-1021Z-8-6	63- 21
S-1021Z-8-6	64B- 27
S-1021Z-8-6	64B- 27
S-1021Z-8-6	64B- 27
S-1021Z-8-6	65- 2
S-1021Z-8-6	65- 12
S-1021Z-8-6	65- 19
S-1021Z-8-6	65- 24
S-1021Z-8-6	65- 31
S-1021Z-8-6	65- 38
S-1021Z-8-6	66- 2
S-1021Z-8-6	66- 4
S-1021Z-8-6	78A- 27
S-1021Z-8-6	79- 24

PART NUMBER	FIGURE AND INDEX NO.
S-1021Z-8-6	79- 46
S-1021Z-8-6	79- 54
S-1021Z-8-6	80- 26
S-1021Z-8-6	83- 31
S-1021Z-8-6	84- 20
S-1021Z-8-6	85- 7
S-1021Z-8-6	86- 9
S-1021Z-8-6	88- 12
S-1021Z-8-6	88- 19
S-1021Z-8-6	88- 20
S-1021Z-8-6	88- 25
S-1021Z-8-6	88- 27
S-1021Z-8-6	89- 17
S-1021Z-8-6	89- 18
S-1021Z-8-6	89- 20
S-1021Z-8-6	89- 23
S-1021Z-8-6	92A- 1
S-1021Z-8-6	93- 20
S-1021Z-8-8	1- 21
S-1021Z-8-8	1- 42
S-1021Z-8-8	2- 9
S-1021Z-8-8	2- 51
S-1021Z-8-8	3- 9
S-1021Z-8-8	3- 48
S-1021Z-8-8	13- 29
S-1021Z-8-8	14- 42
S-1021Z-8-8	16- 10
S-1021Z-8-8	16A- 10
S-1021Z-8-8	25- 18
S-1021Z-8-8	26A- 26
S-1021Z-8-8	34- 3
S-1021Z-8-8	34A- 2
S-1021Z-8-8	39- 26
S-1021Z-8-8	39- 27
S-1021Z-8-8	40- 12
S-1021Z-8-8	40- 40
S-1021Z-8-8	40- 41
S-1021Z-8-8	41- 6
S-1021Z-8-8	41- 15
S-1021Z-8-8	41- 19
S-1021Z-8-8	42A- 45
S-1021Z-8-8	43- 28
S-1021Z-8-8	46- 29
S-1021Z-8-8	47- 7
S-1021Z-8-8	48- 11
S-1021Z-8-8	51- 26
S-1021Z-8-8	51A- 48
S-1021Z-8-8	52-19A
S-1021Z-8-8	55- 1
S-1021Z-8-8	55- 1
S-1021Z-8-8	55- 9
S-1021Z-8-8	55A- 1
S-1021Z-8-8	55A- 15
S-1021Z-8-8	56- 3
S-1021Z-8-8	56- 3
S-1021Z-8-8	56A- 3
S-1021Z-8-8	58- 44
S-1021Z-8-8	58- 57
S-1021Z-8-8	59- 11
S-1021Z-8-8	59A- 14
S-1021Z-8-8	59A- 30
S-1021Z-8-8	64- 14
S-1021Z-8-8	64- 35
S-1021Z-8-8	64- 41
S-1021Z-8-8	60- 10
S-1021Z-8-8	66A- 12
S-1021Z-8-8	66B- 9
S-1021Z-8-8	67- 4
S-1021Z-8-8	67- 37
S-1021Z-8-8	68A- 7
S-1021Z-8-8	76- 2
S-1021Z-8-8	76- 5
S-1021Z-8-8	77- 2
S-1021Z-8-8	77- 5
S-1021Z-8-8	78- 29

PART NUMBER	FIGURE AND INDEX NO.
S-1021Z-8-8	78A- 32
S-1021Z-8-8	78A- 36
S-1021Z-8-8	79- 2
S-1021Z-8-8	79- 16
S-1021Z-8-8	79A- 41
S-1021Z-8-8	82A- 4
S-1021Z-8-8	82B- 4
S-1021Z-8-8	82C- 15
S-1021Z-8-8	83- 39
S-1021Z-8-8	83- 46
S-1021Z-8-8	83D- 74
S-1021Z-8-8	86- 32
S-1021Z-8-8	86A- 14
S-1021Z-8-8	88- 21
S-1021Z-8-8	88- 22
S-1021Z-8-8B	40- 11
S-1021Z8-8	86A- 18
S-1022A4-6	40- 9A
S-1022Z-6-10	36B- 19
S-1022Z-6-8	83C- 37
S-1022Z-8-8	1- 33
S-1022Z-8-8	42- 22
S-1022Z-8-8	42A- 21
S-1022Z-8-8	43- 23
S-1022Z-8-8	66A- 7
S-1022Z-8-8	66B- 9
S-1022Z-8-8	83C- 66
S-1023A-4-6	39- 4
S-1023A-4-6	39- 5
S-1023A-4-6	39- 6
S-1023A-4-6	39- 11
S-1023A-4-6	39- 14
S-1023A-4-6	40- 19
S-1023A-4-6	40- 27
S-1023A-4-6	41- 2
S-1023A-4-6C	40- 18
S-1023A-4-6C	40- 25
S-1023A-4-60	40- 16
S-1023A-6-6	39- 8
S-1023A-6-6	40- 23
S-1023A-6-6	40- 23
S-1053E-16T	86A- 21
S-1053E16T	59- 33
S-1053E16T	68- 26
S-1053E16T	68A- 34
S-1053E19T	67- 29
S-1053E24T	58- 42
S-1053E24T	58- 42
S-1053E24T	59A- 25
S-1053E24T	59A- 25
S-1053E24T	60A- 33
S-1053E24T	60- 32
S-1053E24T	65- 27
S-1053E24T	66- 19
S-1053E24T	67- 5
S-1053E24T	67- 9
S-1053E24T	68- 4
S-1053E24T	68- 4
S-1053E24T	68- 6
S-1053E24T	68- 7
S-1053E24T	68A- 1
S-1053E24T	68A- 5
S-1053E8T	59A- 17
S-1053E8T	60A- 16
S-1053E8T	60- 16
S-1053E8T	88- 12
S-1053E8T	66B- 16
S-1053K16T	59- 31
S-1053K24T	57- 44
S-1053K24T	58- 43
S-1053K24T	58- 43
S-1053K24T	59A- 24
S-1053K24T	59A- 27
S-1053K24T	59A- 29
S-1053K24T	60A- 31

PART NUMBER	FIGURE AND INDEX NO.
S-1053K24T	60- 30
S-1053K24T	67- 7
S-1053K24T	68- 6
S-1053K24T	68A- 3
S-1053K24T	68A- 3
S-1053K24T	68A- 5
S-1053K24T	68A- 8
S-1053K24T	68A- 8
S-1053K24T	68A- 8A
S-1053K24T	68A- 10
S-1053K24T	68A- 10
S-1053K24T	68A-10A
S-1053K24T	68A- 44
S-1053K24T	60A- 53
S-1053K24T	60A- 53
S-1053K24T	60A- 53
S-1053K24T	60A- 53
S-1053K24T	60A- 53
S-1053K24T	60A- 53
S-1053K28W	56A- 36
S-1053K28W	60A- 37
S-1053K32T	57A- 39
S-1053K32T	68A- 24
S-1053K32T	68A- 24
S-105324T	68A- 1
S-1053624T	68- 7
S-1055-1	30- 4
S-1055-1	92A- 3
S-1060-1	37- 8
S-1060-1	38- 38
S-1060-11	37- 8
S-1060-12	35- 30
S-1060-15	36- 31
S-1060-3	35- 30
S-1060-3	36- 31
S-1060-3	36A- 44
S-1060-4	38- 8
S-1066C1	39- 4
S-1066C1	39- 11
S-1066C1	40- 16
S-1066C1	40- 25
S-1066C1	41- 3
S-1071-1	77- 9
S-1071-1	77- 12
S-1071-1	77- 15
S-1071-1	77- 19
S-1072-1	83C- 65
S-1072-1	83D- 73
S-1074-1	36A- 6
S-1074-1	36B- 7
S-1078-3	21- 2
S-1078-3	21- 3
S-1079-1-144	42- 11
S-1080-1	68A- 20
S-1084-1	45A- 15
S-1090-18	88- 30
S-1090-18	89- 25
S-1090-19	88- 30
S-1090-19	89- 25
S-1090-3	47- 21
S-1090-4	47- 21
S-1090-5	47- 21
S-1091-10	47- 22
S-1091-15	47- 22
S-1091-2	88- 30
S-1091-2	89- 25
S-1091-20	47- 23
S-1093-1	10- 38
S-1095-	88- 19
S-1095-	89- 17
S-1095-	89- 20
S-1095-1	26A- 9
S-1095-2	26A- 4
S-1095-3	26A- 25
S-1095-4	26A- 20

PART NUMBER	FIGURE AND INDEX NO.
S-1095-6	26A- 14
S-1099-1-2-30	78A- 40
S-1099-1-3-30	78A- 40
S-1099-1-3-30	78A- 40
S-1099-1-4-00	78A- 39
S-1102-1	46- 25
S-1102-1	47- 26
S-1102-1	51A- 43
S-1103-1	47- 4A
S-1103-1	51A- 44
S-1106-3	9- 14
S-1106-3	10- 12
S-1106-4	58- 18
S-1107-3	32- 15
S-1107-3	32A- 13
S-1112-1	98A- 18
S-1117-24	34- 31
S-1117-24	34A- 25
S-1130-1	77- 7
S-1130-1	77- 9
S-1130-1	77- 12
S-1130-1	77- 15
S-1130-1	77- 19
S-1131-1	77- 9
S-1131-1	77- 12
S-1131-1	77- 15
S-1131-1	77- 19
S-1132-1	77- 8
S-1133-1	77- 13
S-1135-1	77- 10
S-1135-1	77- 16
S-1135-1	77- 20
S-1139-1	77- 13
S-1139-1	77- 18
S-1146-1	36B- 65
S-1153-1	1-29C
S-1155-3	52- 26
S-1167-4-0080	78- 2
S-1167-4-0100	78- 1
S-1167-4-0100	78A- 1
S-1167-4-0164	81- 61
S-1167-40080	78A- 2
S-1167-6-0180	59- 15
S-1167-6-0210	60A- 9
S-1167-6-0210	60- 11
S-1167-6-0210	79- 55
S-1167-6-0210	79- 55
S-1167-6-0230	79- 55
S-1167-6-0254	59A- 16
S-1167-6-0254	79- 55
S-1167-6-0494	83- 14
S-1167-6-0550	83- 14
S-1167-6-360	83- 6
S-1167-8-0160	86A- 19
S-1167-8-0210	79- 55
S-1167-8-0320	86A- 15
S-1167-8-0340	86A- 11
S-1168-2-22	83D- 51
S-1168-6-15	82B- 13
S-1168-6-15	83- 6
S-1168-6-35	82A- 13
S-1168-6-40 1/2	82A- 13
S-1168-6-9 1/2	82B- 21
S-1186-1	57- 12
S-1186-1	57A- 7
S-1186-1	58- 53
S-1188-1	55- 40
S-1189-1	45A- 13
S-1189-2	45A- 13
S-1194-1	45A- 8
S-1213-1	49A- 4
S-1213-3	49A- 8
S-1222-2	51A- 19
S-1222-2	51B- 6
S-1222-2	57A- 6
S-1223-1	47- 51

PART NUMBER	FIGURE AND INDEX NO.
S-1240-5	47- 8
S-1240-5	51A- 18
S-1240-5	51B- 9
S-1240-6	47- 24
S-1240-6	51A- 42
S-1240-6	51B- 13
S-1240-6	83A- 21
S-1243-6	38A- 18
S-1255-5	47- 6
S-1255-5	51B- 7
S-1258-1	77- 22
S-1273-1	41-23A
S-1284-1	51- 30
S-1284-1	82A- 23
S-1284-1	82B- 36
S-1284-1	82C- 36
S-1298-1	47- 52
S-1298-1	58- 54
S-1300N1	47- 40
S-1300N1	50- 36
S-1300N1	51B- 34
S-1300N1	82- 3
S-1300N1	82A- 8
S-1300N1	82B- 8
S-1300N1	82C- 10
S-1300N1	83- 11
S-1300N1	83A- 35
S-1300N1	83B- 11
S-1301N1	85- 9
S-1301N2	47- 41
S-1301N2	51A- 66
S-1301N2	85- 9
S-1302N1	51- 19
S-1302N1	51A- 60
S-1304N1	51- 18
S-1304N1	51A- 61
S-1304N1	76-21A
S-1304N1	77- 21
S-1304N2	50- 30
S-1304N2	51- 18
S-1304N2	51A- 61
S-1304N2	76- 21
S-1304N2	77- 21
S-1305N1	51B- 29
S-1307N1	47- 53
S-1307N1	51- 22
S-1307N1	51A- 62
S-1309N1	50- 41
S-1309N1	51- 17
S-1309N1	51A- 69
S-1309N1	82- 1
S-1309N1	82A- 2
S-1309N1	82B- 2
S-1309N1	82C- 2
S-1309N1	83- 5
S-1311N1	51- 27
S-1311N1	85- 22
S-1313N1	50- 17
S-1313N1	51- 14
S-1313N1	51A- 58
S-1313N1	76- 16
S-1313N1	77- 17
S-1314N1	50- 17
S-1314N1	51- 14
S-1314N1	51A- 58
S-1314N1	77- 17
S-1316N1	50- 40
S-1316N1	51- 16
S-1316N1	51A- 68
S-1316N1	82- 2
S-1316N1	82A- 1
S-1316N1	82B- 1
S-1316N1	82C- 1
S-1316N1	83- 1
S-1317N1	51- 15

PART NUMBER	FIGURE AND INDEX NO.
S-1319-1	46- 32
S-1319-1	47- 49
S-1319-1	51- 28
S-1319-1	51A- 70
S-1319-1	51B- 33
S-1322-1	52- 20
S-1323N1	50- 15
S-1323N1	51- 12
S-1323N1	51A- 57
S-1323N1	76- 9
S-1323N1	77- 11
S-1324N1	51- 12
S-1325N1	84- 9
S-1326N1	51- 17
S-1326N1	82A- 2
S-1326N1	82B- 2
S-1326N1	82C- 2
S-1327N1	51- 16
S-1327N1	82A- 1
S-1327N1	82B- 1
S-1327N1	82C- 1
S-1345-1	100- 21
S-1345-1	100A- 1
S-1345-3	99- 42
S-1365-1	82C- 34
S-1378-1-84.00	42A- 44
S-1426-2	53- 10
S-1426-2	53A- 2
S-1431-10-	82C- 17
S-1431-6-	82C- 3
S-1431-8	82C- 24
S-1431-8-	82C- 7
S-1431-8-	82C- 27
S-1431-8-	82C- 30
S-18-30	70- 7
S-202RB	1- 40
S-202RB	12- 26
S-202RB	12A- 28
S-202RB	12A- 29
S-202RB	21- 12
S-225-1	1- 21
S-225-1	1- 21
S-225-1	16- 8
S-225-1	16A- 8
S-225-3	10- 35
S-225-6	83C- 66
S-225-6	83D- 74
S-226-3	17- 37
S-237	6- 7
S-237	6- 7
S-237-2	4- 12
S-237-2	18- 34
S-237-2	19- 28
S-237-2	27- 56
S-237-2	27A- 24
S-237-4	10- 33
S-272-207	103- 3
S-272-209	103- 15
S-272-215	103- 18
S-290-D832	1- 32
S-292-12018	51- 26
S-307-10-0303	23- 6
S-329	1- 20
S-330	6- 9
S-338-7	29- 18
S-339-2	29- 18
S-347	18- 35
S-347-1	19- 30
S-350	7- 33
S-350	8- 18
S-350	21- 8
S-350	84- 20
S-350	91- 34
S-351	57A- 13
S-351	58- 52

PART NUMBER	FIGURE AND INDEX NO.
S-352	26- 8
S-353-1	26- 3
S-353-1	26- 14
S-353-1	26A- 14
S-353-1	26A- 20
S-353-1	88- 19
S-353-1	89- 17
S-353-1	89- 20
S-353-2	26- 24
S-353-2	26A- 9
S-353-4	26- 19
S-353-4	26- 29
S-353-4	26A- 4
S-353-4	26A- 25
S-354-1	26- 7
S-354-4	26- 2
S-354-4	26- 12
S-354-4	26A- 13
S-354-4	26A- 18
S-354-4	89- 17
S-354-4	89- 20
S-354-5	26- 18
S-354-5	26- 23
S-354-5	26- 28
S-354-5	26A- 3
S-354-5	26A- 8
S-354-5	26A- 24
S-355-1	50- 3
S-355-1	51A- 5
S-355-1	82- 22
S-355-1	82- 22
S-355-144	42A- 10
S-378-1	75- 12
S-378-2	73- 21
S-378-2	73- 25
S-378-2	73- 29
S-378-2	73- 39
S-378-3L	71- 19
S-378-3L	71A- 19
S-378-3L	72- 54
S-378-3L	74- 19
S-378-3L	74- 23
S-378-3L	74- 27
S-378-4	71- 14
S-378-4	71A- 14
S-378-4	72- 12
S-378-4	72- 17
S-378-4	72- 24
S-378-4	72- 29
S-378-4	72- 33
S-378-4	72- 37
S-378-4	72- 42
S-378-4	73- 44
S-378-4	72- 47
S-378-4	73- 34
S-378-4	59- 12
S-378-4	59A- 10
S-378-4	60- 7
S-378-4	60A- 7
S-394	76- 6
S-394	77- 6
S-51-10	23A- 12
S-51-10	79- 6
S-51-10	79- 7
S-51-12	82- 9
S-51-4	82- 10
S-51-4	82- 11
S-51-6	82B- 18
S-51-6	82B- 18
S-51-6	82B- 29
S-51-6	82B- 33
S-51-8	83- 32
S-51-8	83- 32
S-51-8	83- 48
S-51-8	83- 48
S-53E24T	57- 43

PART NUMBER	FIGURE AND INDEX NO.
SK175-9	33A- 2B
SK182-34	33- 2
SS-48143-K2215	16- 11
SS-48143-K2215	16A- 11
SS-48155-K2215	6- 11
S10KL75	42A- 42
S10K75	44- 2
S11065-21	33- 23
S11065-21	33A- 17
S11326	101- 3
S11326	101- 16
S8K5	86- 22
S8K75	86- 30
S8K75	86- 30
T-5/8	39- 20
T-5/8	40- 34
TA3-716D9	79A- 26
WRM-10	93- 25
WRM-15	93- 28
WRM-20	93- 27
WRM-25	93- 24
WRM-30	93- 26
WRM-44-12	93- 29
W98292-2-180	55A- 32
W98292-2180	56A- 40
W98293-2-170	60A- 29
O-300-A	59- 1
O-300-C	59- 1
O-300-C	59A- 1
O-300-D	59A- 1
0310196-12	69- 6
0310196-12	86A- 6
0310196-15	36A- 24
0310196-17	36B- 56
0310196-2	35- 20
0310196-2	36- 23
0310196-5	69- 6
0310196-5	86A- 7
0310293-2	13- 3
0310293-2	75- 29
0310453	69- 1
0310453	69- 31
0311018-10	50- 33
0311018-10	51A- 64
0311018-11	50- 32
0311018-11	51- 24
0311018-11	51A- 63
0311018-11	58- 68
0311018-12	47- 53
0311018-12	51- 25
0311018-12	58- 69
0311018-9	51- 24
0311018-9	59- 34
0311020-7	85- 19
0311020-8	50- 37
0311020-8	51A- 70
0311020-8	85- 16
0311020-8	85- 22
0311029-6	47- 41
0311029-6	51A- 66
0311029-6	85- 9
0311031-8	58- 50
0311038-2	46- 2
0311038-2	47- 5
0311038-2	51A- 15
0311038-2	51B- 7
0311056-1	50- 40
0311056-4	50- 40
0311056-4	51- 16
0311056-4	51A- 68
0311056-4	82- 2
0311056-4	82A- 1
0311056-4	82B- 1
0311056-4	83- 1
0311056-5	50- 40

PART NUMBER	FIGURE AND INDEX NO.
0311056-5	51- 16
0311056-5	51A- 68
0311056-5	82- 2
0311056-5	82A- 1
0311056-5	82B- 1
0311056-5	83- 1
0311057-1	47- 40
0311057-1	50- 36
0311057-1	51B- 34
0311057-1	82A- 8
0311057-1	82B- 8
0311057-1	83- 11
0311057-1	83A- 35
0311057-1	83B- 11
0311057-2	51A- 65
0311057-2	51B- 34
0311057-2	82- 3
0311057-2	83C- 19
0311057-2	830- 55
0311058-1	50- 41
0311058-4	50- 41
0311058-4	51- 17
0311058-4	51A- 69
0311058-4	82- 1
0311058-4	82A- 2
0311058-4	82B- 2
0311058-4	83- 5
0311058-5	50- 41
0311058-5	51- 17
0311058-5	51A- 69
0311058-5	82- 1
0311058-5	82A- 2
0311058-5	82B- 2
0311058-5	83- 5
0311240-17	7- 4
0311240-17	8- 4
0311310	35- 21
0311310	36- 14
0311310	36A- 25
0311310	36B- 57
0311310	35- 17
0311311-1	27A- 41
0311319-1	45A- 17
0311319-1	27A- 41
0311319-2	45A- 18
0311319-2	7- 15
0311360-4	8- 16
0311360-4	7- 16
0311360-5	8- 16
0311538-10	47- 8
0311538-10	51A- 18
0311538-10	51B- 9
0311538-8	46- 5
0311538-8	47- 8
0311538-8	79- 52
0311586	35- 22
0311586	36- 15
0311586	36A- 27
0311586	36B- 59
0311623-1	41- 31
0311644	35- 16
0311644	36- 18
0311644	36A- 22
0311644	36B- 32
0311710-10	37- 8
0311710-10	38- 8
0311710-11	35- 30
0311710-11	36- 8
0311710-8	37- 8
0311710-9	35- 30
0311752-16	17- 39
0311777	46- 3
0311777	47- 6
0311777	51A- 16
0311777	51B- 7

PART NUMBER	FIGURE AND INDEX NO.
0312155-10	88- 5
0312155-10	89- 5
0313313-3	46- 28
0313313-3	47- 29
0313313-3	51A- 47
0332136-1	13- 54
0334128	15- 46
0400123-1	40- 57
0411007-10	50- 17
0411007-10	51- 14
0411007-10	51A- 58
0411007-10	76- 16
0411007-10	77- 17
0411007-7	50- 17
0411007-7	51- 14
0411007-7	51A- 58
0411007-8	51- 14
0411007-8	51A- 58
0411007-8	77- 17
0411008-2	50- 18
0411009-5	50- 29
0411009-6	51- 19
0411009-6	51A- 60
0411010-1	51- 15
0411010-2	51- 15
0411010-3	51- 15
0411010-3	51A- 67
0411010-4	50- 39
0411010-4	51- 15
0411010-4	51A- 67
0411016-2	50- 23
0411016-2	81- 1
0411017-3	50- 24
0411020-1	46- 32
0411020-1	47- 49
0411020-1	51A- 70
0411020-1	51B- 33
0411023-1	46- 21
0411023-1	51A- 37
0411023-1	51B- 15
0411023-2	46- 21
0411023-2	51A- 39
0411023-2	51A- 39
0411023-2	51B- 14
0411023-3	46- 21
0411023-3	51A- 38
0411023-4	46- 21
0411023-4	51A- 41
0411023-6	46- 21
0411023-6	51A- 40
0411023-6	51B- 15
0411023-7	88- 10
0411023-7	89- 10
0411030-5	39- 9
0411030-5	40- 19
0411030-5	40- 24
0411030-6	39- 9
0411030-6	40- 19
0411030-6	40- 24
0411047	70- 8
0411051	72- 6
0411051-4	72- 8
0411059-1	50- 1
0411059-1	51- 1
0411059-1	51A- 3
0411059-1	82- 22
0411059-1	82- 22
0411062-4	91- 32
0411069-3	51- 18
0411069-3	51A- 61
0411069-3	76-21A
0411069-3	77- 21
0411069-4	50- 30
0411069-4	76- 21
0411069-5	77- 21

PART NUMBER	FIGURE AND INDEX NO.
0411078-2	52- 20
0411086-15	50- 15
0411086-15	51- 12
0411086-15	51A- 57
0411086-15	76- 9
0411086-18	51- 12
0411086-18	77- 11
0411086-20	51- 12
0411086-20	77- 11
0411086-22	51A- 57
0411086-22	77- 11
0411086-25	51- 12
0411087-22	50- 22
0411087-28	50- 22
0411087-28	51A- 59
0411087-28	51A- 59
0411087-28	51B- 29
0411087-29	47- 48
0411087-30	47- 48
0411090-13	46- 17
0411090-13	47- 18
0411090-13	67- 2
0411090-19	78- 24
0411090-22	46- 9
0411090-22	46- 10
0411090-22	46- 12
0411090-22	47- 10
0411090-22	47- 11
0411090-22	47- 13
0411090-22	57- 17
0411090-22	57- 26
0411090-22	58- 23
0411090-22	58- 30
0411090-22	67- 1
0411090-24	68- 1
0411090-25	68- 2
0411090-26	78- 24
0411090-29	46- 11
0411090-29	47- 12
0411090-29	47- 39
0411090-29	47- 39
0411090-29	80- 23
0411090-29	80- 23
0411091-24	47- 9
0411091-24	58- 13
0411091-30	47- 9
0411091-30	58- 13
0411091-32	47- 9
0411091-32	58- 13
0411091-9	46- 7
0411091-9	57- 10
0411092-1	43- 6
0411092-1	46- 18
0411092-1	46- 19
0411092-1	46- 20
0411092-1	47- 21
0411092-1	49- 28
0411092-1	66- 12
0411092-4	49- 27
0411098-13	54- 1
0411098-8	54- 1
0411099	49- 37
0411099-1	49- 36
0411099-3	49- 36
0411099-3	49A- 9
0411129	20- 5
0411185-7	42- 43
0411185-7	42A- 43
0411185-9	42A- 43
0411221-3	70- 1
0411221-4	70- 1
0411224	46- 34
0411225	46- 35
0411225-1	46- 36
0411232	72- 14

PART NUMBER	FIGURE AND INDEX NO.
0411255	70- 11
0411257	70- 14
0411263	69- 19
0411263-5	69- 20
0411263-6	69- 20
0411264	69- 20
0411264-5	69- 20
0411264-6	69- 20
0411281-6	18- 6
0411281-6	18- 7
0411281-6	18- 8
0411281-6	18- 8
0411293	41- 10
0411306-2	69- 25
0411306-3	69- 24
0411307	69- 8
0411307	69- 42
0411326-3	70- 17
0411326-4	70- 17
0411369-2	69- 2
0411369-2	69- 32
0411419	75- 6
0411421-2	74- 30
0411422	75- 9
0411422	98- 26
0411422	98A- 6
0411447	17- 28
0411523	75- 23
0411524	75- 25
0411549	69- 16
0411550	69- 15
0411552	44- 6
0411557	44- 11
0411559	44- 17
0411562	69- 28
0411563	69- 45
0411564	69- 37
0411564-3	69- 38
0411565	69- 27
0411573- 1	69- 46
0411575-7	44- 19
0411576	42- 27
0411576	42A- 26
0411576	43- 21
0411582	28- 18
0411590-1	43- 27
0411590-1	45-
0411590-3	45- 4
0411591	45- 3
0411592-1	45- 5
0411623-1	37- 16
0411623-1	38- 16
0411665	45- 1
0411680	17- 4
0411680	30- 7
0411680	30- 8
0411718-2	30- 6
0411749-5	49- 39
0411749-5	98- 22
0411778-2	69- 34
0411778-3	69- 4
0411783	73- 36
0411840	41- 11
0411849	85- 21
0411851	42- 38
0411851	42A- 36
0411875-12	86- 25
0411875-18	86- 24
0411875-9	86- 26
0411880	72- 3
0411881	72- 4
0411886	42- 28
0411886	42A- 27
0411886	43- 22
0411897-3	50- 19

PART NUMBER	FIGURE AND INDEX NO.
0411897-3	51- 23
0411897-3	51- 27
0411897-3	79A- 44
0411897-3	85- 22
0411973-1	44- 8
0412007-1	88- 14
0412007-1	89- 14
0412467	27- 7
0412467	27A- 9
0412467	31- 6
0412480-6	46- 23
0412480-6	47- 24
0412496	20- 9
0413017-1	46- 6
0413017-1	47- 8
0413106	18- 32
0413114-4	98- 23
0413116-5	46- 39
0413126-10	51- 20
0413126-10	51A- 17
0413126-3	51- 21
0413126-3	51A- 17
0413126-4	46- 4
0413126-7	46- 41
0413131-3	48- 8
0413138	91- 21
0413140-2	91- 20
0413140-5	91- 16
0413141	91- 25
0413142-5	91- 15
0413148	42- 33
0413151	24A- 19
0413151	25- 15
0413151	67- 28
0413151	68- 25
0413151	68A- 31
0413157	4- 14
0413163-10	66- 10
0413163-11	66- 8
0413163-18	66- 7
0413163-23	66- 3
0413163-24	66- 3
0413163-5	66- 8
0413163-7	66- 6
0413163-8	66- 5
0413163-9	66- 5
0413179	98- 21
0413179	98A- 5
0413181-1	27- 58
0413181-1	27A- 52
0413186-3	78- 27
0413186-3	78A- 30
0413195-3	42- 21
0413195-3	42A- 20
0413195-3	43- 23
0413203	66- 11
0413205-10	88- 11
0413205-10	89- 11
0413205-12	88- 16
0413205-12	89- 16
0413205-2	88- 9
0413213-1	70- 24
0413213-2	70- 25
0413213-4	70- 24
0413213-6	70- 24
0413216	70- 28
0413216-4	70- 29
0413228	66- 14
0413233	66- 1
0413235	39- 18
0413235	40- 32
0413235	40- 32
0413247	7- 33
0413247	8- 18
0413247	50- 2

PART NUMBER	FIGURE AND INDEX NO.
0413247	51- 2
0413247	51A- 4
0413257	66- 9
0413261	16- 12
0413261	16A- 12
0413261	98- 11
0413307-18	23- 7
0413307-18	23A- 11
0413307-21	23- 14
0413307-21	23A- 3
0413307-4	23- 15
0413307-4	23A- 5
0413307-5	23- 17
0413307-5	23A- 7
0413307-6	23- 18
0413307-6	23A- 8
0413307-7	23- 19
0413307-7	23A- 9
0413307-8	23- 16
0413307-8	23A- 6
0413317	42A- 8
0413317	43- 10
0413317-1	42- 9
0413319-3	50- 38
0413319-3	85- 1
0413322	42- 37
0413322	42A- 35
0413323-1	45A- 12
0413323-3	45A- 11
0413323-4	42- 36
0413323-4	42A- 34
0413323-7	45A- 11
0413347-1	66- 15
0413359-1	42- 35
0413359-2	42- 35
0413362-3	42- 30
0413362-5	42- 30
0413366	42- 31
0413366-1	42- 32
0422006-2	7- 17
0422130	79- 56
0422229-3	5- 9
0422280	9- 6
0422291	4- 3
0422292	4- 9
0422344	18- 42
0422344	19- 45
0422344	31- 19
0423006-12	1- 23
0423006-13	1- 23
0423006-21	1- 23
0423006-22	1- 23
0423006-25	1-27A
0423007-1	1- 28
0423542-6	92- 5
0425134	79- 35
0432123	13- 36
0432126	13- 4
0432134-1	75- 4
0432138-6	75- 28
0432138-7	75- 11
0432155	13- 28
0433006-11	14-30B
0433006-11	14A-22A
0433006-12	14-30A
0433006-12	14A- 22
0433006-2	14- 29
0433006-2	14A- 20
0433006-7	14- 27
0433006-7	14A 18
0433007	14- 26
0433007	14A- 18
0441016-1	99-
0441016-12	99- 40
0441016-13	99- 41

PART NUMBER	FIGURE AND INDEX NO.
0441021	78- 23
0441021	78A- 23
0441114-3	34A- 33
0441119	34- 15
0441130-1	34- 42
0441130-1	34A- 47
0441130-2	34A- 47
0441139-5	34- 40
0441139-5	34A- 34
0441139-6	34- 40
0441139-6	34A- 34
0441141	34- 39
0441141-1	34- 39
0441141-3	34- 39
0441141-4	34- 39
0441141-4	34A- 33
0441143-26	34- 43
0441143-26	34A- 48
0441143-27	34- 43
0441143-27	34A- 48
0441179-14	100A- 1
0442012-2	100-
0450017-10	50- 42
0450017-10	51A- 59
0450017-10	51A- 59
0450017-15	47- 47
0450017-18	47- 47
0450017-19	51A- 59
0450017-21	51B- 30
0450171	63- 34
0450191-1	57- 13
0450191-1	58- 15
0450191-1	63- 35
0450209	64- 43
0450209	64A- 30
0450209	64B- 38
0450209	63- 39
0450210	63- 40
0450211-1	63- 36
0450211-2	55- 26
0450234-13	55- 27
0450234-14	56- 33
0450234-14	63- 43
0450234-21	63- 18
0450234-22	63- 25
0450234-22	63- 6
0450234-23	63- 12
0450234-24	63- 31
0450234-25	56- 34
0450234-28	78A- 28
0450258	59- 25
0450261	63- 5
0450262	86A- 26
0450262	67- 22
0450268	63- 44
0450277-1	63- 45
0450277-2	64- 44
0450277-3	64A- 29
0450277-3	64B- 37
0450277-3	59- 16
0450283	60A- 11
0450283	60- 13
0450283	24- 14
0450284	25- 17
0450284-1	19- 43
0450286	24A- 10
0450286	25- 10
0450286	68- 3
0450286	68- 20
0450286	68A- 23
0450286	68A- 27
0450286-1	60A- 52
0450307	63- 4
0450307-1	63- 10
0450311	57- 18

PART NUMBER	FIGURE AND INDEX NO.
0450311	57- 39
0450311	80- 28
0450311-2	57- 27
0450311-2	57A- 21
0450311-4	58- 31
0450311-5	57A- 16
0450311-5	57A- 31
0450311-5	57A- 38
0450311-5	58- 27
0450311-5	58- 39
0450311-5	66- 21
0450311-5	67- 15
0450311-5	68- 15
0450311-5	68A- 14
0450311-5	68A- 46
0450311-5	59- 28
0450314	66A- 14
0450320-47	63- 37
0450322-2	63- 38
0450322-3	62- 10
0450338-14	59-18A
0450342-1	60A- 14
0450342-1	60-15A
0450342-1	42- 34
0452120	24- 9
0453110	88- 6
0500005-124	14- 32
0500005-153	90- 14
0500005-57	90- 15
0500005-58	90- 15
0500005-59	90- 15
0500005-60	39- 41
0500010-4	40- 55
0500010-4	98- 7
0500026	98- 8
0500026	98- 7
0500026-1	98- 8
0500026-1	98- 3
0500027-2	98- 2
0500027-4	98- 3
0500027-4	98- 3
0500027-4	98- 4
0500027-4	98- 5
0500027-6	98- 6
0500027-6	98- 1
0500030	89- 6
0500032-3	89- 10
0500037-2	88- 10
0500037-4	89-10A
0500038-1	98- 42
0500038-1	98A- 11
0500038-1	86- 1
0500044-1	86A- 1
0500044-1	87- 3
0500044-10	87- 1
0500044-11	87- 13
0500044-12	87- 5
0500044-13	87- 5
0500044-14	87- 7
0500044-15	87- 7
0500044-16	87- 6
0500044-17	87- 6
0500044-18	87- 8
0500044-19	86- 2
0500044-2	86A- 2
0500044-2	87- 8
0500044-20	87- 9
0500044-21	87- 1
0500044-23	87- 20
0500044-24	87- 20
0500044-25	87- 12
0500044-3	87- 12
0500044-4	87- 11
0500044-5	87- 4
0500044-6	87- 10
0500044-7	87- 10

PART NUMBER	FIGURE AND INDEX NO.
0500044-8	87 10
0500044-9	87- 2
0500046-1	98- 10
0500046-2	98- 10
0500048-1	98- 43
0500049-2	88- 6
0500051-1	98- 9
0500051-2	98- 9
0500051-3	98A- 25
0500051-3	98A-25A
0500051-4	98A- 25
0500051-4	98A-25A
0500052-1	51A- 53
0500052-1	51B- 36
0500052-1	98A- 13
0500053-1	47- 7A
0500053-1	98- 25
0500053-1	98A- 14
0500054-3	98- 45
0500054-3	98- 45
0500066-5	70- 40
0500066-6	70- 35
0500066-7	70- 34
0500068-1	98- 46
0500070-10	87A- 2
0500070-11	87A- 1
0500070-12	87A- 1
0500070-15	87A- 5
0500070-17	87A- 6
0500070-18	87A- 6
0500070-3	87A- 4
0500070-4	87A- 4
0500070-7	87A- 3
0500070-8	87A- 3
0500070-9	87A- 2
0500084-1	70- 37
0500085-1	34A- 57
0500085-1	98A- 19
0500085-1	98A- 19
0500085-1	98A-19A
0500085-1	98A-19A
0500085-1	98A-19B
0500085-1	98A-19B
0500085-1	98A-19C
0500085-1	98A-19C
0500085-2	98A- 20
0500085-2	98A- 20
0500085-2	98A-20A
0500085-2	98A-20B
0500085-2	98A-20B
0500089-1	70- 38
0500089-4	70- 39
0500090-1	34A- 57
0500090-1	98A- 28
0500091-3	98A- 21
0500091-3	98A- 21
0500091-4	98A- 21
0500091-4	98A-21A
0500091-4	98A-21A
0500093-1	98A- 26
0500093-2	98A- 26
0500094-1	98A- 24
0500094-2	98A- 24
0500103-173	41- 14
0500103-174	41- 14
0500101-35	39- 33
0500101-35	40- 47
0500103-1	39- 2
0500103-1	40- 6
0500103-101	41- 4
0500103-107	39- 32
0500103-107	40- 46
0500103-108	39- 25
0500103-109	39- 26

PART NUMBER	FIGURE AND INDEX NO.
0500103-128	39- 7
0500103-128	40- 20
0500103-137	40- 46
0500103-14	39- 8
0500103-14	40- 22
0500103-143	40- 22
0500103-144	40- 20
0500103-148	40- 46
0500103-16	39- 24
0500103-17	39- 23
0500103-19	38- 15
0500103-2	39- 1
0500103-2	40- 1
0500103-35	40- 7
0500103-37	41- 22
0500103-38	41- 23
0500103-51	42- 4
0500103-52	43- 4
0500103-60	41- 1
0500103-69	37- 15
0500103-7	40- 17
0500103-70	37- 12
0500103-73	37- 7
0500103-74	37- 7
0500103-8	39- 4
0500103-80	35- 6
0500103-88	35- 5
0500103-89	35- 5
0500103-9	39- 3
0500103-95	35- 7
0500103-96	35- 1
0500103-97	35- 1
0500104-1	39- 3
0500104-10	37- 12
0500104-100	42A- 3
0500104-101	40- 13
0500104-102	40- 15
0500104-103	36- 2
0500104-105	36- 3
0500104-106	36- 7
0500104-11	39- 25
0500104-12	39- 26
0500104-13	35- 2
0500104-14	35- 2
0500104-15	35- 5
0500104-16	35- 5
0500104-17	35- 7
0500104-18	35- 6
0500104-19	37- 15
0500104-2	39- 4
0500104-20	37- 7
0500104-20	38- 7
0500104-21	36- 2
0500104-22	36- 1
0500104-23	36- 6
0500104-24	36- 7
0500104-25	36- 3
0500104-26	36- 3
0500104-29	40- 13
0500104-3	42- 4
0500104-30	40- 15
0500104-36	40- 2
0500104-37	40- 37
0500104-38	40- 38
0500104-39	38- 7
0500104-4	43- 4
0500104-40	40- 39
0500104-41	40- 40
0500104-44	40- 21
0500104-45	40- 23
0500104-46	40- 14
0500104-47	40- 16
0500104-48	40- 37
0500104-49	40- 38
0500104-5	39- 23

PART NUMBER	FIGURE AND INDEX NO.
0500104-50	38-
0500104-51	38- 12
0500104-52	40- 39
0500104-53	40- 40
0500104-54	36- 2
0500104-55	36- 1
0500104-56	42- 4
0500104-57	43- 4
0500104-58	42- 4
0500104-58	42A- 3
0500104-59	43- 4
0500104-6	39- 24
0500104-67	40- 21
0500104-68	40- 23
0500104-69	36- 3
0500104-7	35- 1
0500104-71	36- 7
0500104-73	36- 2
0500104-74	36- 2
0500104-75	36- 3
0500104-77	36- 7
0500104-78	36- 2
0500104-79	36- 2
0500104-8	35- 1
0500104-80	40- 21
0500104-81	40- 23
0500104-82	42A- 3
0500104-83	43- 4
0500104-84	43- 4
0500104-85	43- 4
0500104-87	36A- 1
0500104-88	36A- 1
0500104-89	36A- 39
0500104-9	37-
0500104-91	36A- 11
0500104-93	36A- 14
0500104-94	36A- 46
0500104-96	36A- 2
0500104-97	36A- 2
0500104-98	36A- 13
0500104-99	42A- 3
0500105-278	78A- 14
0500106-109	79- 9
0500106-120	76- 10
0500106-121	79- 48
0500106-122	79- 50
0500106-123	76- 13
0500106-123	82- 14
0500106-125	76- 7
0500106-126	76- 18
0500106-128	76- 14
0500106-130	76- 19
0500106-136	81- 3
0500106-148	82- 15
0500106-155	82- 16
0500106-174	34- 13
0500106-175	34- 13
0500106-177	79- 18
0500106-178	79- 14
0500106-179	79- 13
0500106-180	78- 13
0500106-181	78- 14
0500106-182	78- 6
0500106-182	78A- 6
0500106-183	78- 7
0500106-183	78A- 7
0500106-184	84- 7
0500106-185	84- 13
0500106-186	84- 18
0500106-189	79- 17
0500106-193	79- 43
0500106-194	78- 18
0500106-194	78A- 13
0500106-195	23- 9
0500106-20	81- 3

PART NUMBER	FIGURE AND INDEX NO.
0500106-203	79- 41
0500106-204	79- 38
0500106-206	82- 46
0500106-207	82- 47
0500106-208	82- 48
0500106-210	81- 57
0500106-22	57- 46
0500106-22	79- 53
0500106-228	77- 19
0500106-229	82A- 9
0500106-229	82B- 9
0500106-229	83- 3
0500106-230	83- 42
0500106-231	81- 58
0500106-232	83- 27
0500106-233	83- 47
0500106-235	77- 12
0500106-236	77- 15
0500106-237	77- 9
0500106-238	85- 10
0500106-239	34- 13
0500106-240	34- 13
0500106-241	79- 45
0500106-242	79- 48
0500106-243	79- 50
0500106-244	60- 34
0500106-244	80A- 13
0500106-245	58- 47
0500106-245	79- 53
0500106-246	60- 6
0500106-247	82A- 3
0500106-247	82B- 3
0500106-247	82C- 11
0500106-247	83- 9
0500106-247	83A- 36
0500106-247	83B- 12
0500106-247	83C- 21
0500106-248	82- 5
0500106-26	59- 27
0500106-26	81- 8
0500106-261	76- 26
0500106-261	77- 31
0500106-262	85- 14
0500106-263	76- 7A
0500106-264	76-10A
0500106-265	76-14A
0500106-266	51A- 61
0500106-266	76-17A
0500106-269	79- 48
0500106-270	79- 48
0500106-271	80A- 1
0500106-272	80A- 3
0500106-273	81- 3
0500106-275	77- 15
0500106-277	76-14A
0500106-279	34A- 36
0500106-279	78A- 16
0500106-28	59- 9
0500106-280	34A- 36
0500106-280	78A- 17
0500106-281	34A- 36
0500106-281	78A- 16
0500106-282	34A- 36
0500106-282	78A- 17
0500106-285	78A- 20
0500106-286	60A- 6
0500106-288	82- 8
0500106-289	82- 7
0500106-293	81- 3
0500106-294	60A- 19
0500106-295	76- 7A
0500106-296	83- 43
0500106-297	83- 28
0500106-300	80A- 1
0500106-301	80A- 3

PART NUMBER	FIGURE AND INDEX NO.	PART NUMBER	FIGURE AND INDEX NO.	PART NUMBER	FIGURE AND INDEX NO.
0500106-302	80A- 13	0510105-39	71A- 1	0510188	73- 63
0500106-303	23A- 14	0510105-40	74- 9	0510188	98- 18
0500106-304	57A- 41	0510105-41	74- 13	0510188	98A- 2
0500106-306	59A- 23	0510105-42	74- 8	0510191	73- 62
0500106-307	59A- 9	0510105-44	75- 18	0510191	98- 29
0500106-308	79- 57	0510105-45	75- 19	0510191	98A- 3
0500106-309	58- 48	0510105-54	74- 14	0510192	74- 1
0500106-309	58- 49	0510105-55	71- 6	0510193-1	73- 56
0500106-309	79- 59	0510105-56	71- 5	0511000-22	17- 11
0500106-310	79- 60	0510105-57	75- 17	0511000-23	17- 11
0500106-313	80A- 3	0510105-58	75- 16	0511000-24	17- 5
0500106-314	82B- 28	0510105-59	73- 1	0511000-25	17- 9
0500106-315	82B- 28	0510105-60	73- 2	0511000-35	17- 33
0500106-316	82A- 17	0510105-61	73- 11	0511000-43	17- 6
0500106-33	85- 6	0510105-62	73- 12	0511000-44	17- 7
0500106-34	85- 2	0510105-63	73- 6	0511000-6	17- 10
0500106-344	79-41A	0510105-64	73- 7	0511000-60	17- 44
0500106-345	79- 43	0510105-72	72- 1	0511000-7	17- 10
0500106-350	85- 14	0510105-75	71A- 5	0511000-8	17- 12
0500106-351	85- 10	0510105-76	71A- 6	0511000-9	17- 12
0500106-352	60A- 6	0510105-80	71A- 5	0511001-129	39- 20
0500106-364	82C- 29	0510105-81	71A- 6	0511001-133	39- 19
0500106-53	76- 1	0510110	20- 35	0511001-133	40- 33
0500106-53	77- 1	0510112	20- 45	0511001-147	39- 37
0500106-54	76- 4	0510112-1	20- 46	0511001-147	40- 51
0500106-54	77- 4	0510113-11	22- 1	0511001-148	39- 38
0500106-59	79- 45	0510113-12	22- 3	0511001-148	40- 52
0500106-83	79- 11	0510113-14	22- 2	0511001-149	39- 39
0500109-1	98A- 22	0510113-15	22- 4	0511001-149	40- 53
0500109-2	98A- 22	0510113-3	22- 3	0511001-186	39- 31
0500109-3	70- 36	0510113-4	22- 1	0511001-186	40- 45
0500110-1	98A- 23	0510113-6	22- 2	0511001-20	39- 35
0500110-1	98A- 23	0510113-7	22- 4	0511001-22	39- 34
0500112-1	41- 9	0510114-50	17- 21	0511001-22	40- 48
0500307-1	82- 43	0510114-51	17- 23	0511003-10	53- 7
0510000-21	21- 10	0510124	18- 10	0511003-16	53- 9
0510000-22	21- 11	0510124-1	18- 10	0511003-17	53- 12
0510000-4	21- 3	0510127	75- 1	0511003-23	53- 2
0510000-5	21- 2	0510127-1	75- 2	0511007-3	90- 5
0510001-12	21- 3	0510127-2	75- 3	0511007-4	90- 6
0510001-4	21- 4	0510128	22- 7	0511007-5	90- 4
0510001-5	21- 1	0510129-3	17- 25	0511007-6	90- 7
0510001-7	21- 5	0510135	22- 5	0511033-13	40- 54
0510105-113	72- 2	0510136	72- 19	0511033-4	40- 8
0510105-116	72- 1	0510137	72- 20	0511033-5	40- 9
0510105-121	73- 13	0510138	22- 8	0511033-6	40- 3
0510105-122	73- 17	0510138-2	22- 9	0511033-7	40- 4
0510105-13	72- 2	0510138-3	22- 10	0511035-1	51A- 59
0510105-139	71- 1	0510141	41- 8	0511035-1	51B- 29
0510105-139	71A- 1	0510144	22- 12	0511035-3	47- 48
0510105-140	74- 9	0510145-1	22- 13	0511035-6	47- 48
0510105-141	74- 13	0510161-5	74- 4	0511049	37- 17
0510105-142	74- 8	0510161-7	74- 4	0511049-1	38- 17
0510105-144	75- 18	0510163	20- 56	0511049-1	37- 17
0510105-145	75- 19	0510164	27- 8	0511059	38- 17
0510105-154	74- 14	0510164	27A- 10	0511059	82- 17
0510105-155	71- 6	0510166-4	73- 49	0511059	82A- 15
0510105-156	71- 5	0510167	73- 54	0511059	82B- 23
0510105-157	75- 17	0510169	73- 55	0511059	83- 20
0510105-158	75- 16	0510169-3	73- 55	0511062-10	46- 26
0510105-159	73- 1	0510171-1	73- 64	0511062-10	47- 27
0510105-16	72- 1	0510172-3	73- 58	0511062-10	51A- 45
0510105-160	73- 2	0510172-4	73- 59	0511062-4	1- 30
0510105-161	73- 11	0510173	73- 59	0511062-5	1- 30
0510105-162	73- 12	0510174	17- 43	0511063	46- 43
0510105-163	73- 6	0510176	73- 57	0511063	47- 52
0510105-164	73- 7	0510177	73- 56	0511063	51A- 34
0510105-172	72- 1	0510178	73- 52	0511063	51B- 32
0510105-175	71A- 5	0510181	73- 66	0511063	81- 45
0510105-176	71A- 6	0510181-1	73- 67	0511068	50- 31
0510105-180	71A- 5	0510182	73- 56	0511068	51- 22
0510105-181	71A- 6	0510184	73- 68	0511068	51A- 62
0510105-21	73- 13	0510185	41- 5	0511068-4	51- 22
0510105-22	73- 17	0510185-2	41- 7	0511068-4	51A- 62
0510105-39	71- 1	0510185-3	41- 7	0511071-1	34- 2

PART NUMBER	FIGURE AND INDEX NO.
0511071-2	34- 2
0511071-3	34A- 1
0511071-4	34A- 1
0511072	34- 1
0511072-1	34A- 4
0511100-1	17- 31
0511100-2	17- 15
0511100-3	17- 16
0511103-50	35- 2
0511103-57	35- 2
0511106-137	42A- 24
0511106-175	42- 9
0511106-23	43- 21
0511106-3	43- 29
0511106-38	42- 10
0511112-13	44- 1
0511112-14	44- 5
0511112-15	44- 3
0511112-16	42- 39
0511112-16	42A- 37
0511112-16	43- 24
0511112-16	44- 4
0511112-4	44- 4
05111137-12	39- 13
0511114-9	17- 3
0511116	17- 13
0511116-1	17- 13
0511119	44- 12
0511127	79- 33
0511130	39- 21
0511130	40- 35
0511131	53- 11
0511131-10	53- 5
0511132	27- 9
0511132	27A- 11
0511133	30- 9
0511137-12	40- 26
0511137-13	39- 12
0511137-13	40- 27
0511137-13	40- 27
0511137-20	40- 27
0511145	27- 40
0511145	27A- 35
0511146	27- 42
0511146	27A- 36
0511149-1	27- 10
0511149-1	27A- 12
0511150	17- 41
0511150-1	17- 41
0511151	17- 42
0511151-1	17- 42
0511153	17- 40
0511157-11	79- 30
0511157-14	79- 29
0511157-18	79- 31
0511157-19	79- 27
0511162-5	20- 1
0511165	52- 6
0511166	52- 5
0511167-10	79- 26
0511167-10	98- 28
0511167-10	98A- 8
0511167-11	79- 26
0511167-12	79- 26
0511167-12	98A- 8
0511167-13	79- 26
0511167-14	79- 26
0511167-14	98A- 8
0511167-15	79- 26
0511167-4	79- 26
0511167-4	98- 27
0511167-5	79- 26
0511167-8	79- 26
0511167-8	98- 28
0511167-9	79- 26

PART NUMBER	FIGURE AND INDEX NO.
0511168	41- 7
0511168	98- 17
0511168	98A- 7
0511170	53- 3
0511171	53- 6
0511172	35- 10
0511173	35- 8
0511174-1	37- 5
0511174-1	38- 5
0511176	27- 21
0511176	27A- 6
0511177-2	39- 29
0511177-2	40- 43
0511177-3	39- 28
0511177-3	40- 42
0511184	35- 13
0511185	28- 21
0511186	39- 41
0511186	40- 55
0511189	42- 6
0511189	43- 7
0511189-1	42- 8
0511189-1	42A- 7
0511189-1	43- 9
0511189-2	42- 7
0511189-2	42A- 6
0511189-2	43- 8
0511190	79- 25
0511191-1	79- 22
0511191-2	79- 22
0511191-3	79- 22
0511191-4	79- 22
0511191-5	79- 22
0511192	17- 27
0511194-4	79- 32
0511195	79- 37
0511198	79- 27
0511199-21	80- 1
0511199-38	80- 1
0511199-41	80- 15
0511199-48	80- 1
0511227-6	43- 21
0511227-7	42- 26
0511227-7	42A- 25
0511229-1	39- 20
0511229-2	40- 34
0511232-3	40- 34
0511232-4	52- 2
0511232-4	27- 55
0511233	27A- 51
0511233-7	52- 1
0511237-1	52- 1
0511237-1	42- 16
0511237-2	42A- 15
0511238-1	43- 17
0511238-1	42- 17
0511238-2	42A- 16
0511280-1	43- 18
0511280-1	42- 15
0511280-2	42A- 14
0511280-3	43- 16
0511280-3	42- 20
0511280-4	42A- 19
0511281	43- 20
0511282	29- 23
0511282-1	18- 6
0511282-2	18- 7
0511282-3	18- 6
0511283	18- 7
0511283-1	18- 8
0511283-2	18- 8
0511283-3	18- 8
0511284-3	37- 18
0511284-3	38- 18

PART NUMBER	FIGURE AND INDEX NO.
0511284-4	37- 18
0511284-4	38- 18
0511285-3	27- 24
0511285-3	27A- 20
0511285-4	27- 24
0511285-4	27A- 20
0511286	38A- 19
0511287	29- 10
0511288-1	29- 7
0511288-2	29- 8
0511289-1	29- 21
0511289-2	29- 11
0511289-3	29- 24
0511289-4	17- 2
0511289-4	29- 2
0511290-1	17- 26
0511291-1	17- 14
0511291-2	17- 14
0511292-1	17- 34
0511292-2	17- 34
0511292-3	17- 36
0511292-4	17- 35
0511293-1	17- 19
0511293-2	17- 17
0511293-3	17- 20
0511293-4	17- 18
0511295	17- 32
0511296-1	17- 47
0511296-2	17- 47
0511297	39- 10
0511297	40- 25
0511298-1	44- 9
0511298-2	44- 16
0511299	49A- 14
0511301-120	35- 14
0511301-166	35- 11
0511301-18	35- 26
0511301-18	36- 28
0511301-18	36A- 42
0511301-19	35- 25
0511301-19	36- 27
0511301-19	36A- 42
0511301-67	35- 2
0511303-1	42- 6
0511303-1	43- 7
0511309-1	88- 7
0511309-1	89- 7
0511310-1	39- 8
0511310-1	40- 23
0511310-1	98- 13
0511310-1	98A- 15
0511310-2	40- 23
0511310-2	98A- 15
0511311-1	39- 15
0511311-11	86- 33
0511311-11	86A- 37
0511311-12	86- 33
0511311-12	86A- 37
0511311-2	39- 16
0511311-2	40- 30
0511311-3	40- 29
0511311-7	40- 29
0511312-1	27- 41
0511312-1	27A- 22
0511318-1	82- 18
0511318-1	82A- 20
0511319-1	88- 13
0511319-1	89- 13
0511460-1	42- 9
0511460-1	42A- 8
0511460-2	43- 10
0511461-1	42- 14
0511461-1	42A- 13
0511461-1	43- 15
0511463-1	42- 12

PART NUMBER	FIGURE AND INDEX NO.
0511463-1	42A- 11
0511463-1	43- 12
0511464-1	42- 15
0511464-1	42A- 14
0511464-1	43- 16
0511465-1	42- 25
0511465-1	43- 23
0511466-1	43- 26
0511467-1	43- 21
0511469-1	42- 19
0511469-1	42A- 18
0511473-1	82- 21
0511473-1	82A- 19
0511474-1	98A- 15
0511475-1	41- 14
0511475-2	41- 14
0512000-18	27- 52
0512000-18	27A- 48
0512000-19	27- 53
0512000-19	27A- 49
0512000-20	27- 45
0512000-20	27A- 42
0512000-28	27- 32
0512000-28	27A- 29
0512000-38	30- 5
0512000-39	30- 5
0512000-66	30- 8
0512000-7	27- 28
0512000-73	27- 26
0512000-79	30- 10
0512000-8	27- 29
0512000-8	27A- 28
0512000-9	27- 31
0512000-9	27A- 27
0512001-10	31- 10
0512001-11	27- 54
0512001-11	27A- 50
0512001-12	27- 48
0512001-12	27A- 45
0512001-15	27- 49
0512001-15	27A- 46
0512001-16	27- 49
0512001-16	27A- 46
0512001-17	27- 27
0512001-19	27- 36
0512001-2	31- 17
0512001-20	27- 37
0512001-21	27- 30
0512001-21	27A- 27
0512001-3	27- 33
0512001-3	27A- 32
0512001-4	27- 34
0512001-5	27- 38
0512001-5	27- 39
0512001-5	27- 39
0512001-6	27- 35
0512001-6	27A- 30
0512001-7	31- 7
0512001-8	31- 8
0512001-9	31- 9
0512002-1	27- 43
0512003-1	23- 1
0512006	31- 16
0512006-1	79- 2
0512007-3	104- 5
0512007-6	104- 8
0512007-7	104- 9
0512007-8	104- 3
0512007-9	86- 18
0512008-2	27- 4
0512008-2	27A- 2
0512008-2	31-
0512008-3	27- 39
0512008-3	27A- 34
0512008-4	31- 17

PART NUMBER	FIGURE AND INDEX NO.
0512008-6	27- 34
0512008-6	27A- 31
0512008-7	16- 2
0512008-7	27- 1
0512009-10	31- 18
0512009-2	27A- 25
0512009-3	27A- 24
0512009-4	27A- 26
0512009-5	27A- 23
0512009-6	27A- 33
0512009-7	16- 2
0512009-7	16A- 2
0512009-7	27A-
0512009-9	16A- 2
0512009-9	27A-
0512107-35	27- 25
0512107-37	27A- 21
0512110-6	27- 23
0512110-7	27- 23
0512110-7	27A- 19
0512111-10	27- 18
0512111-10	27A- 18
0512111-9	27- 15
0512111-9	27A- 15
0512113	27- 19
0512113-7	27- 20
0512113-7	27A- 5
0512113-9	27A- 4
0512120-1	41- 29
0512120-1	98- 16
0512121-5	27- 6
0512121-5	27A- 8
0512121-6	27- 11
0512121-6	27A- 13
0512122	28- 7
0512123	1- 7
0512124-15	29- 20
0512124-19	28- 1
0512124-20	28- 1
0512124-21	17- 8
0512124-21	27- 5
0512124-21	27A- 3
0512124-21	28-
0512124-35	28- 1
0512124-36	28- 1
0512124-6	28- 3
0512124-8	28- 11
0512124-9	28- 12
0512128	29- 14
0512129	29- 17
0512132-1	29- 13
0512132-6	29- 12
0512134	28- 14
0512134	73- 48
0512134-1	28- 15
0512135	72- 35
0512136	72- 49
0512137	28- 16
0512138	72- 52
0512139	28- 13
0512139-1	28- 13
0512139-2	28- 13
0512139-3	28- 13
0512143	31- 3
0512143-1	31- 4
0512145	27- 50
0512145	27A- 47
0512145-1	27- 50
0512145-1	27A- 47
0512146	16- 6
0512146	16A- 6
0512146-1	16- 6
0512146-1	16A- 6
0512148	27- 46
0512148	27A- 43

PART NUMBER	FIGURE AND INDEX NO.
0512149-1	16- 7
0512149-1	16A- 7
0512149-2	16- 7
0512149-2	16A- 7
0512150	28- 22
0512151	27- 51
0512151	27A- 47
0512152	29- 19
0512153-7	16- 4
0512153-7	16A- 4
0512153-8	16- 5
0512153-8	16A- 5
0512155-1	30- 3
0512155-2	30- 3
0512155-3	30- 2
0512155-4	30- 2
0512155-5	30- 1
0512155-6	30- 1
0512156	31- 11
0512157	31- 1
0512157-2	31- 2
0512159-1	31- 13
0512159-2	31- 13
0512160-2	27- 12
0512160-2	27A- 14
0512160-3	27- 16
0512160-3	27A- 16
0512160-5	31- 5
0512164	31- 18
0512165-1	31- 16
0512166-3	41- 30
0512166-3	98A- 27
0512169-1	38A- 14
0512169-2	38A- 14
0513000-10	18- 24
0513000-10	19- 24
0513000-14	18- 13
0513000-15	18- 14
0513000-20	18- 36
0513000-22	18- 11
0513000-57	18- 31
0513000-9	18- 24
0513000-9	19- 24
0513001-1	18- 12
0513001-11	18- 30
0513001-11	19- 44
0513001-13	18-11A
0513001-14	18- 40
0513001-4	18- 5
0513001-5	18- 25
0513001-7	18- 5
0513001-8	18- 26
0513001-9	18- 26
0513002-10	19- 13
0513002-11	24A- 17
0513002-11	25- 19
0513002-12	24A- 18
0513002-12	25- 19
0513002-14	19- 13
0513002-2	19- 15
0513002-3	19- 14
0513002-4	19- 13
0513002-5	19- 12
0513002-6	19- 35
0513002-9	19- 14
0513003-15	87A- 8
0513003-5	87- 21
0513004-10	50- 14
0513004-10	82- 3
0513004-11	50- 5
0513004-16	46- 8
0513004-21	48- 7
0513004-26	50- 11
0513004-27	50- 10
0513004-28	50- 6

PART NUMBER	FIGURE AND INDEX NO.
0513004-31	48- 6
0513004-32	50- 10
0513004-33	50- 6
0513004-34	50- 14
0513004-34	82- 4
0513004-35	50- 11
0513004-4	48- 3
0513004-8	49- 22
0513006-103	20- 39
0513006-110	20- 13
0513006-111	20- 23
0513006-16	20- 17
0513006-17	20- 27
0513006-22	20- 26
0513006-24	20- 40
0513006-25	20- 18
0513006-26	20- 28
0513006-42	20- 15
0513006-43	20- 25
0513006-44	20- 12
0513006-45	20- 22
0513006-8	20- 16
0513006-9	20- 34
0513007-10	20- 38
0513007-2	20- 30
0513007-3	20- 20
0513007-4	20- 30
0513007-5	20- 11
0513007-6	20- 21
0513007-7	20- 55
0513007-9	20- 33
0513008	18- 20
0513008-1	18- 21
0513009-2	18- 9
0513009-3	18- 9
0513011-11	23A-
0513011-9	23- 2
0513013-11	41- 26
0513013-9	41- 26
0513014-1	41- 17
0513015	41- 19
0513022-1	98- 19
0513030-2	67- 36
0513033-2	67- 34
0513034-PC1	88- 6
0513034-2	88- 4
0513035	18- 22
0513035-1	18- 23
0513036-3	49- 2
0513038-1	18- 28
0513038-1	19- 26
0513038-2	18- 28
0513038-2	19- 26
0513039-7	46- 23
0513039-7	47- 24
0513039-7	51A- 42
0513039-7	51B- 13
0513040-10	48- 11
0513040-27	49- 15
0513040-29	48- 2
0513040-32	18- 2
0513040-32	46- 1
0513040-32	48-
0513040-5	48- 1
0513040-6	48- 4
0513040-7	48- 5
0513042	48- 9
0513042-1	88- 10
0513044-3	48- 10
0513044-6	48- 10
0513048-1	18- 29
0513048-1	19- 25
0513048-2	18- 29
0513048-2	19- 25
0513049-1	24- 8

PART NUMBER	FIGURE AND INDEX NO.
0513049-2	24- 8
0513049-3	18- 27
0513050	24- 10
0513051-1	46- 33
0513051-8	46- 33
0513051-8	47- 32
0513051-8	51A- 37
0513051-8	51B- 17
0513053-1	19- 9
0513053-2	19- 9
0513054-1	19- 10
0513054-2	19- 10
0513055-1	19- 21
0513055-2	19- 20
0513056-1	47- 34
0513056-1	51A- 51
0513056-1	51A- 51
0513056-1	51B- 26
0513056-2	47- 33
0513056-2	51B- 26
0513057-1	41- 17
0513057-2	41- 17
0513058-1	41- 19
0513058-2	41- 19
0513059-1	40- 23
0513059-1	98- 14
0513059-1	98A- 15
0513100	24- 11
0513101-9	24- 1
0513102	24- 3
0513102-1	24- 4
0513103	24- 5
0513106	24- 6
0513108-2	24- 7
0513109-10	24A- 12
0513109-10	25- 12
0513109-11	24A- 6
0513109-11	25- 6
0513109-12	24A- 9
0513109-12	25- 9
0513109-13	68- 24
0513109-13	68A- 32
0513109-15	24A- 7
0513109-15	25- 7
0513109-2	24A- 4
0513109-2	25- 4
0513109-2	68- 28
0513109-21	40- 5
0513109-21	68- 29
0513109-23	24A- 8
0513109-23	25- 8
0513109-24	24A- 7
0513109-24	25- 7
0513109-25	24A- 3
0513109-25	25- 3
0513109-27	25- 1
0513109-29	24A- 13
0513109-29	25- 13
0513109-31	25- 2
0513109-38	24A- 1
0513109-39	68A- 28
0513109-40	68A- 33
0513109-41	4
0513109-44	25- 1
0513109-49	24A- 2
0513109-5	68- 9
0513109-6	68- 23
0513109-6	68A- 29
0513109-7	24A- 6
0513109-7	25- 6
0513109-8	24A- 9
0513109-8	25- 9
0513109-9	24A- 5
0513109-9	25- 5
0513120-1	103- 4

PART NUMBER	FIGURE AND INDEX NO.
0513120-2	103- 20
0513120-3	103- 21
0513120-4	103- 17
0513120-5	79- 20
0513120-5	103-
0513120-6	79- 20
0513120-6	103-
0513122	103- 5
0513123	103- 10
0513124-2	103- 1
0513125	103- 6
0513126	103- 12
0513126-1	103- 12
0513127	70- 21
0513127-4	70- 21
0513127-5	70- 21
0513128-2	24- 2
0513129	24- 13
0513129	24A- 15
0513129	25- 16
0513131-1	19- 5
0513131-2	19- 5
0513132-1	19- 8
0513132-10	19- 8
0513132-11	19- 7
0513132-2	19- 8
0513132-3	19- 7
0513132-4	19- 6
0513132-9	19- 8
0513133-1	19- 2
0513133-1	47-
0513133-12	47- 4
0513133-12	51B- 4
0513133-13-156	47- 7
0513133-14	51- 6
0513133-15	51- 8
0513133-16	49- 14
0513133-18	51- 11
0513133-2	51- 5
0513133-20	47- 1
0513133-20	51B- 1
0513133-23	47- 4A
0513133-23	51B- 5
0513133-24	51- 8
0513133-27	51- 6
0513133-30	49- 14
0513133-32	51- 6
0513133-35-279	7- 7
0513133-37-279	51B- 35
0513133-39	49A- 4
0513133-4	47- 2
0513133-4	51B- 2
0513133-42	19- 2
0513133-42	47-
0513133-42	51B-
0513133-44-156	47- 7
0513133-45-279	51- 6
0513133-47-279	51- 6
0513133-5	47- 3
0513133-5	51B- 3
0513133-50-279	51B- 35
0513133-51	49A- 8
0513133-52	19- 2
0513133-52	47-
0513133-55-279	7- 7
0513133-57-279	51B- 35
0513133-58-279	51- 6
0513133-59-279	51- 6
0513133-9	49- 20
0513133-9	49A- 10
0513134-7	40- 18
0513134-8	40- 18
0513135-1	47- 25
0513135-2	47- 25
0513136-1	70- 21

PART NUMBER	FIGURE AND INDEX NO.
0513136-4	70- 26
0513137-1	19- 38
0513137-2	19- 38
0513138-1	19- 22
0513140-1	70- 30
0513142-14	51A- 22
0513142-14	51A- 27
0513142-14	78A- 24
0513142-7	46- 16
0513142-7	47- 17
0513142-7	57- 38
0513142-7	58- 38
0513143-1	70- 31
0513143-2	70- 32
0513144-1	47- 43
0513144-12	47- 43
0513144-13	51B- 22
0513144-14	47- 44
0513144-14	51B- 23
0513144-15	47- 43
0513144-15	51B- 22
0513144-2	47- 46
0513144-2	51B- 25
0513144-3	60A- 17
0513144-3	60- 17
0513144-4	51A- 8
0513144-6	51A- 8
0513144-7	51A- 10
0513144-7	51B- 25
0513144-8	47- 45
0513144-8	51A- 11
0513144-8	51B- 24
0513144-8	81- 1
0513144-9	47- 45
0513144-9	81- 2
0513145-2	52- 27
0513145-6	52- 26
0513145-7	52- 28
0513145-8	52- 29
0513146-12	51A- 51
0513146-16	47- 34
0513146-16	51B- 27
0513146-4	47- 34
0513148-3	52- 27
0513152-1	19- 23
0513153-2	81- 44
0513153-2	98- 30
0513153-2	98A- 10
0513153-3	93- 22
0513153-3	98- 32
0513153-5	98A- 9
0513153-6	77- 32
0513153-6	98A- 30
0513153-8	93- 22
0513153-8	98- 33
0513155-1	86- 15
0513155-1	98- 36
0513155-2	86- 16
0513155-2	98- 37
0513156-2	89- 4
0513156-3	89- 6A
0513157-1	19- 37
0513158-1	18- 2A
0513158-1	51A- 1
0513158-12-156	51A- 14
0513158-13	51A- 12
0513158-16	49- 25
0513158-3	51A- 1
0513158-4	51A- 2
0513158-5	49- 3
0513158-8	49- 16
0513158-9	49- 35
0513161-1	18- 41
0513163-2	51A- 30
0513163-2	98- 35

PART NUMBER	FIGURE AND INDEX NO.
0513163-3	51A- 35
0513163-3	81- 44
0513163-4	51A- 33
0513163-4	93- 22
0513163-4	98- 34
0513163-8	76- 28
0513164-1	18- 22
0513164-2	18- 23
0513165-1	52- 26
0513165-2	52- 28
0513165-3	52- 26
0513165-4	52- 28
0513167-2	70- 21
0513167-4	70- 21
0513167-5	70- 21
0513167-6	70- 21
0513168-1	70- 27
0513169-2	98- 44
0513170-1	70- 33
0513171-1	47- 17
0513171-1	47- 17
0513171-1	58- 38
0513172-1	40- 10
0513172-2	40- 10
0513173-1	46- 15
0513173-1	47- 16
0513173-1	51A- 26
0513173-1	51B- 11
0513178-1	68A- 30
0513182-2	70- 21
0513182-3	70- 21
0513182-4	70- 21
0513182-8	70- 21
0513183-1	51B- 8
0513183-1	57A- 30
0513183-2	47- 10
0513183-2	58- 23
0513185-1	19- 22
0513187-3	47- 17
0513187-3	57A- 15
0513187-3	51B- 31
0513188-1	57A- 14
0513188-1	60A- 52
0513192-1	40- 9A
0513193-1	87- 24
0513194-1	83A- 2
0513194-1	83B- 2
0513194-1	83C- 84
0513194-1	83D- 19
0513196-1	88- 15
0513199-1	51- 22
0513205-1	68- 36
0513206-1	68- 31
0513207-1	68- 30
0513207-2	68- 35
0513208-1	91- 8
0513208-1	92A- 5
0513215-1	51A- 32
0513215-1	76- 27
0513215-1	77- 32
0513215-1	93- 21
0513218-2	49- 38
0513218-2	98A- 12
0513218-4	49- 40
0513218-4	49A- 12
0513219-1	86- 16
0513219-2	86A- 5
0513219-4	98- 37
0513219-5	86A- 5
0513219-5	98- 38
0513219-6	86A- 5
0513219-6	98A- 4
0513219-7	86A- 5
0513219-8	98A- 4
0513219-9	86A- 5

PART NUMBER	FIGURE AND INDEX NO.
0513220-1	51- 7A
0513220-10	51- 7A
0513220-2	51- 7A
0513220-3	51- 7A
0513220-4	51- 7A
0513220-5	51- 7A
0513220-6	51- 7A
0513220-7	51- 7A
0513220-8	51- 7A
0513220-9	51- 7A
0513225-1	49- 1
0513225-1	49A- 1
0513229-3	88- 4A
0513299-PC1	88- 6A
0513300-1	21- 10
0513300-16	21- 1
0513300-18	21- 5
0513300-2	21- 10
0513300-20	21- 4
0513300-8	21- 1
0513300-9	21- 4
0513310-7	23A- 1
0513310-8	23A- 2
0513310-9	18- 15
0513310-9	19- 11
0520005-10	1- 34
0520005-11	1- 34
0520005-12	1- 31
0520005-13	1- 31
0520005-3	1- 36
0520005-6	1- 35
0520005-7	1- 37
0520006-1	13- 48
0520007-2	1- 41
0520007-3	1- 41
0520008	1- 38
0520008-1	1- 38
0520009-1	6- 21
0520009-10	6- 18
0520009-11	6- 19
0520009-12	6- 19
0520009-2	6- 21
0520009-3	6- 22
0520009-4	6- 22
0520009-5	6- 23
0520009-6	6- 23
0520009-7	6- 17
0520009-8	6- 17
0520009-9	6- 18
0521101-2	92A- 1
0521101-6	92A- 2
0522150-1	11- 13
0522150-2	11- 13
0522150-3	11- 14
0522150-4	11- 14
0522617-1	1- 14
0522617-2	1- 14
0522629	9- 5
0522629	10- 5
0523003-10	4- 16
0523003-11	4- 16
0523003-40	6- 20
0523003-48	2- 13
0523003-48	3- 13
0523003-56	4- 26
0523003-57	4- 26
0523003-74	6- 5
0523003-79	6- 4
0523003-80	6- 13
0523003-81	6- 16
0523003-83	6- 6
0523005-1	2-
0523005-13	3-
0523005-14	3-
0523005-200	2-

PART NUMBER	FIGURE AND INDEX NO.
0523005-201	2-
0523005-202	3-
0523005-203	3-
0523005-21	4- 1
0523005-22	4- 1
0523005-50	5- 15
0523005-51	5- 15
0523005-52	4- 25
0523005-53	4- 25
0523005-54	4-
0523005-55	4-
0523005-56	4- 15
0523005-57	4- 15
0523005-58	2-
0523005-59	6- 2
0523007-10	6- 3
0523007-40	6- 14
0523007-42	6- 12
0523007-44	6- 1
0523007-45	6- 15
0523007-9	6- 3
0523008-10	3- 43
0523008-10	2- 47
0523008-3	2- 46
0523008-3	3- 42
0523008-4	2- 46
0523008-4	3- 42
0523008-7	2- 44
0523008-7	3- 40
0523008-9	2- 47
0523008-9	3- 43
0523106	4- 23
0523107	4- 6
0523107-2	4- 2
0523107-3	4- 2
0523108	4- 7
0523110-1	4- 17
0523110-2	4- 17
0523111-1	4- 8
0523111-2	4- 8
0523115	92- 1
0523115-2	1- 22
0523115-3	92- 2
0523115-5	92- 3
0523118-1	92- 4
0523119	1-29A
0523119	88- 7
0523215	5- 21
0523215-1	5- 21
0523216	5- 20
0523218	9- 10
0523218	72- 65
0523218-2	9- 13
0523219-2	2- 40
0523219-2	3- 36
0523219-3	2- 40
0523219-3	3- 36
0523219-4	2- 40
0523219-4	3- 36
0523219-5	2- 40
0523219-5	3- 36
0523221	9- 2
0523222	9- 9
0523223	9- 1
0523223	72- 64
0523223-1	9- 1
0523223-1	72- 64
0523230	2- 32
0523230	3- 28
0523230-1	2- 32
0523230-1	3- 28
0523230-4	2- 32
0523230-4	3- 28
0523230-5	2- 32
0523230-5	3- 28

PART NUMBER	FIGURE AND INDEX NO.
0523231	2- 28
0523231	3- 24
0523231-5	2- 28
0523231-5	3- 24
0523232	2- 27
0523232	3- 23
0523233	2- 30
0523233	3- 26
0523233-2	2- 29
0523233-2	3- 25
0523233-3	2- 31
0523233-3	3- 27
0523301-1	5-
0523301-2	5-
0523301-3	5-
0523301-4	5-
0523306	5- 6
0523307	11- 4
0523317	5- 1
0523317-1	5- 1
0523322-1	5- 2
0523322-2	5- 2
0523400-14	5- 7
0523400-15	5- 7
0523400-20	5- 11
0523400-21	5- 11
0523400-50	5- 8
0523400-51	5- 8
0523406	5- 15
0523406-1	5- 15
0523407	2- 37
0523407	3- 32
0523407-1	2- 36
0523407-1	3- 33
0523408	2- 35
0523408	3- 31
0523409	5- 14
0523505-1	3- 45
0523505-2	3- 45
0523507	2- 11
0523507-1	3- 11
0523507-1	2- 11
0523508-12	3- 11
0523508-12	3- 46
0523508-13	3- 46
0523508-5	2- 14
0523508-8	2- 14
0523509	2- 16
0523509	3- 14
0523510	2- 19
0523510	3- 15
0523510-1	2- 19
0523510-1	3- 15
0523511-3	2- 20
0523511-3	3- 16
0523511-4	2- 33
0523511-4	3- 29
0523512-3	2- 21
0523512-3	3- 17
0523512-4	2- 34
0523512-4	3- 30
0523512-5	4- 20
0523513-3	2- 22
0523513-3	3- 18
0523513-4	4- 21
0523513-6	2- 22
0523513-6	3- 18
0523514-3	2- 23
0523514-3	3- 19
0523514-4	4- 22
0523515-3	2- 24
0523515-3	3- 20
0523515-4	4- 27
0523517-2	2- 15
0523517-3	2- 18

PART NUMBER	FIGURE AND INDEX NO.
0523517-4	2- 17
0523519	2- 12
0523519	3- 12
0523519-1	3- 12
0523520-9	7- 9
0523520-9	8- 9
0523521-10	1- 15
0523521-11	1- 15
0523521-18	1- 15
0523521-19	1- 15
0523521-5	1- 17
0523521-6	1- 19
0523522	2- 42
0523522	7- 5
0523522-1	2- 43
0523522-1	3- 39
0523522-1	7- 7
0523522-1	8- 7
0523522-10	8- 6
0523522-10	3- 38
0523522-5	2- 42
0523522-5	7- 6
0523522-7	2- 43
0523522-7	3- 39
0523522-7	7- 8
0523522-7	8- 8
0523522-8	3- 38
0523522-8	8- 5
0523524	5- 4
0523524	5- 4
0523524	5- 9
0523529-1	7- 12
0523529-1	8- 12
0523531	7- 20
0523531	8- 19
0523532	7- 11
0523532	8- 11
0523535	10- 1
0523535	73- 71
0523535-1	10- 1
0523535-1	73- 71
0523536	10- 4
0523537	10- 6
0523537	73- 72
0523537-2	10- 11
0523539-10	3- 35
0523539-2	2- 38
0523539-3	2- 38
0523539-4	2- 39
0523539-5	2- 39
0523539-7	3- 34
0523539-8	3- 34
0523539-9	3- 35
0523540	2- 12
0523540-1	3- 12
0523540-2	1- 18
0523541-1	6- 21
0523541-10	6- 18
0523541-11	6- 19
0523541-12	6- 19
0523541-2	6- 21
0523541-3	6- 22
0523541-4	6- 22
0523541-5	6- 23
0523541-6	6- 23
0523541-7	6- 17
0523541-8	6- 17
0523541-9	6- 18
0523542-1	4- 19
0523544	7- 31
0523545	7- 27
0523545	79- 4
0523552-2	7- 22
0523552-2	8- 21
0523554-1	7- 23

PART NUMBER	FIGURE AND INDEX NO.
0523554-1	8- 22
0523554-2	7- 24
0523554-2	8- 23
0523555-1	79- 1
0523555-1	7- 34
0523555-3	8- 27
0523555-3	79- 1
0523556-1	7- 25
0523556-1	8- 24
0523557-1	7- 32
0523557-1	8- 17
0523559-1	79- 1
0523559-1	8- 27
0523559-1	7- 34
0523559-3	79- 1
0523559-6	79- 1
0523559-6	8- 27
0523559-8	79- 1
0523559-8	7- 34
0523606-12	11- 1
0523606-13	11- 1
0523606-14	11- 1
0523606-15	11- 1
0523606-4	11- 12
0523606-5	11- 11
0523608-2	11- 8
0523613-1	11- 10
0523614-1	11- 6
0523700	2- 50
0523700	3- 47
0523701-4	2- 50
0523701-4	3- 47
0523702-3	1-29B
0523702-4	1-29B
0523800	9- 16
0523800-1	9- 16
0523800-10	9- 30
0523800-11	9- 30
0523800-12	9- 31
0523800-13	9- 31
0523800-6	9- 28
0523800-7	9- 28
0523800-8	9- 29
0523800-9	9- 29
0523806	9- 19
0523806-1	9- 19
0523807	9- 36
0523808	9- 20
0523808-2	9- 20
0523809	9- 21
0523809-1	9- 21
0523810	9- 22
0523811	9- 23
0523811-1	9- 23
0523812-2	9- 24
0523812-3	9- 24
0523813-1	9- 32
0523813-2	5- 17
0523813-3	5- 16
0523813-4	5- 18
0523813-5	5- 19
0523813-6	9- 34
0523813-7	9- 35
0523813-8	9- 33
0523814-6	9- 27
0523901	10- 13
0523901-1	10- 13
0523901-2	10- 30
0523901-3	10- 30
0523901-4	10- 31
0523901-5	10- 31
0523901-6	10- 32
0523901-7	10- 32
0523901-8	10- 25
0523901-9	10- 24

PART NUMBER	FIGURE AND INDEX NO.
0523911	10- 20
0523911-1	10- 20
0523912	10- 21
0523912-1	10- 22
0523914	10- 26
0523918	10- 27
0523919	10- 16
0523920	10- 15
0523921	10- 14
0523922	10- 17
0523923	10- 23
0526001-1	52- 29
0526001-2	7- 9
0526001-2	8- 9
0530010-1	13- 51
0530010-2	13- 52
0530010-5	13- 51
0530010-6	13- 52
0530011-1	31- 18
0531001-1	12- 22
0531001-10	12- 21
0531001-11	12- 13
0531001-12	12- 12
0531001-13	12- 11
0531001-14	12- 10
0531001-15	12- 20
0531001-16	12- 14
0531001-17	12- 17
0531001-18	12- 19
0531001-20	14- 11
0531001-21	14- 15
0531001-22	14- 16
0531001-23	14- 33
0531001-24	14- 34
0531001-25	12- 6
0531001-26	12- 8
0531001-28	12- 27
0531001-3	14- 9
0531001-30	14- 17
0531001-31	14- 31
0531001-32	14- 10
0531001-33	14- 23
0531001-34	14- 22
0531001-35	12- 24
0531001-36	12- 25
0531001-37	86- 23
0531001-37	14- 28
0531001-38	12- 29
0531001-4	12- 30
0531001-5	12- 31
0531001-6	14- 24
0531001-7	14- 25
0531001-8	12- 9
0531001-9	93- 10
0531002	93- 1
0531003-6	14- 40
0531004-3	12A 27
0531005-1	12A- 27
0531006-1	12A- 10
0531006-10	12A- 11
0531006-13	12A- 9
0531006-15	12A- 12
0531006-16	12A- 13
0531006-17	12A- 14
0531006-18	12A
0531006-19	12A- 15
0531006-2	12A- 21
0531006-20	12A- 19
0531006-21	14A- 30
0531006-22	14A- 31
0531006-24	14A- 29
0531006-25	14A- 28
0531006-27	14A- 28
0531006-28	14A- 27
0531006-29	14A- 27

PART NUMBER	FIGURE AND INDEX NO.
0531006-3	14A-
0531006-30	14A- 25
0531006-32	14A- 26
0531006-33	12A- 16
0531006-34	14A- 14
0531006-35	14A- 33
0531006-39	12A- 23
0531006-4	12A- 6
0531006-40	14A- 7
0531006-41	14A- 8
0531006-44	12A- 24
0531006-45	14A- 9
0531006-46	14A- 10
0531006-49	12A- 25
0531006-5	12A- 8
0531006-50	14A- 11
0531006-51	14A- 12
0531006-52	14A- 35
0531006-53	12A- 30
0531006-54	12A- 22
0531006-55	14A- 6
0531006-57	12A- 7
0531006-58	14A- 36
0531006-59	12A- 31
0531006-6	14A- 5
0531006-60	12A- 32
0531006-62	14A- 24
0531006-63	14A- 8
0531006-7	14A- 13
0531006-8	14A- 34
0531006-9	12A- 26
0531007-3	12A 16
0531007-3	93- 4
0531008-1	14A- 32
0531008-1	71A- 23
0531102-3	14A- 23
0531104	14- 41
0531105-10	15- 29
0531105-11	15- 30
0531105-12	14- 19
0531105-3	12- 15
0531105-4	14- 20
0531105-5	14- 21
0531105-8	12- 16
0531105-9	14- 18
0531114-2	86- 27
0531114-4	86- 28
0531114-5	86- 22
0531114-6	86- 29
0532001-1	13- 5
0532001-11	13- 44
0532001-12	13- 12
0532001-13	13- 13
0532001-14	13- 14
0532001-15	13- 15
0532001-16	13- 16
0532001-17	13- 17
0532001-18	13- 18
0532001-20	13- 45
0532001-21	13- 19
0532001-22	13- 20
0532001-23	13- 21
0532001-24	13- 22
0532001-25	13- 23
0532001-26	13- 24
0532001-27	13- 25
0532001-28	15- 15
0532001-29	15- 16
0532001-3	15- 10
0532001-30	15- 34
0532001-31	15- 35
0532001-32	15- 36
0532001-33	15- 37
0532001-34	15- 17
0532001-35	15- 38

PART NUMBER	FIGURE AND INDEX NO.
0532001-36	15- 18
0532001-37	15- 20
0532001-38	15- 19
0532001-39	15- 21
0532001-4	15- 41
0532001-40	15- 23
0532001-41	15- 24
0532001-42	15- 42
0532001-43	15- 43
0532001-44	15- 44
0532001-45	15- 33
0532001-47	15- 5
0532001-48	15- 45
0532001-49	12- 23
0532001-49	13- 26
0532001-5	13- 37
0532001-50	13- 27
0532001-51	14- 13
0532001-51	15- 25
0532001-52	14- 12
0532001-52	15- 26
0532001-56	13- 41
0532001-57	13- 5
0532001-59	15- 10
0532001-61	13- 25
0532001-62	15- 24
0532001-63	13- 26
0532001-64	15- 17
0532001-67	15- 10
0532001-68	15- 17
0532001-69	15- 24
0532001-7	13- 39
0532001-8	13- 40
0532001-9	13- 42
0532100-1	15- 22
0532102-1	15- 22
0532102-4	14- 14
0532104	13- 32
0532104	13- 34
0532104	14A- 2
0532105-3	15- 27
0532105-4	15- 28
0532105-6	13- 31
0532105-9	13- 33
0532106-1	15- 22
0532200-1	13- 35
0533132	14- 36
0533132	71- 23
0534124	15- 1
0534124	74- 18
0534125-2	14- 37
0534126-1	14- 38
0534126-1	15- 31
0534126-2	14- 39
0534126-2	15- 32
0541103-50	99- 23
0541103-52	99- 22
0541111-2	34- 40
0541111-2	34A- 34
0541115-2	52- 8
0541115-3	52- 10
0541119	34- 27
0541119-1	34- 27
0541120-4	34- 12
0541120-5	34- 12
0541121-1	29- 1
0541121-2	29- 2
0541122-1	29- 4
0541122-2	29- 5
0541124	34- 32
0541124	34A- 26
0541124-1	34- 38
0541124-1	34A- 32
0541138-12	69- 12
0541138-12	78- 22

PART NUMBER	FIGURE AND INDEX NO.
0541138-13	69- 11
0541138-13	78- 21
0541138-17	69- 11
0541138-17	102-
0541138-17	78- 21
0541138-18	69- 12
0541138-18	102-
0541138-18	78- 22
0541138-20	69- 11
0541138-20	69- 12
0541138-20	78A- 22
0541138-20	102-
0541138-20	78- 21
0541138-20	78- 22
0541138-5	102- 17
0541139	102- 10
0541140	102- 1
0541141-1	102- 3
0541141-2	102- 3
0541143	102- 20
0541144	102- 19
0541145	102- 7
0541146	102- 6
0541146-1	102- 6
0541147-2	102- 11
0541148	102- 16
0541148-1	102- 23
0541149	102- 17
0541151	102- 9
0541153	34- 9
0541153	34A- 8
0541154-1	34- 23
0541154-1	34A- 12
0541155-1	34- 12
0541155-1	34A- 11
0541155-2	34- 12
0541155-2	34A- 11
0541156-1	34- 22
0541156-1	34A- 16
0541156-2	34- 22
0541156-2	34A- 16
0541157-1	34- 40
0541157-1	34A- 34
0541157-2	34- 40
0541157-2	34A- 34
0541158-3	34- 12
0541158-3	34A- 11
0541158-4	34- 12
0541158-4	34A- 11
0541159-4	34- 52
0541159-4	34A- 56
0541160-13	99-
0541161-1	99- 22
0541161-2	99- 22
0541164-3	34A- 11
0541164-4	34A- 11
0541165-1	102- 3
0541167-1	102- 8
0541170-1	78- 31
0541170-1	78A- 34
0541172-1	78A- 37
0541173-1	78A- 38
0541174-1	78A- 35
0541176-1	78A- 35
0541178-1	78A- 41
0541180-1	34A- 54
0542100-1	101- 1
0542101-1	101- 22
0542102-1	101- 23
0542117-1	32- 38
0542117-5	32A- 36
0542118-1	101- 21
0542119-1	32- 6
0542119-1	32A- 5
0542119-1	101-

PART NUMBER	FIGURE AND INDEX NO.
0543000-212	33- 18
0543000-6	33- 14
0543000-6	33A- 10
0543000-9	33- 59
0543000-9	33- 67
0543000-9	33A- 29
0543000-9	33A- 41
0543001	32- 20
0543001	32A- 20
0543002	32- 21
0543003	32- 19
0543003	32A- 22
0543004	32- 5
0543005-1	100-
0543005-15	100- 20
0543005-2	100- 20
0543005-3	100- 22
0543008	33- 1
0543008-2	33- 1A
0543008-2	33A- 1
0543011	33- 29
0543011-7	33- 29
0543013-1	18- 18
0543013-1	19- 18
0543015-6	18- 33
0543015-6	19- 27
0543016-1	18- 16
0543016-1	19- 16
0543018-1	32- 3
0543018-1	32A- 3
0543022-1	32- 8
0543022-2	32-
0543023	32- 12
0543023	32A- 9
0543026-1	18- 33
0543026-1	19- 27
0543029	33- 26
0543029	33A- 22
0543032	33- 27
0543032	33A- 23
0543033-1	33- 36
0543035-1	33- 57
0543035-2	33- 65
0543035-3	33A- 37
0543035-8	33A- 25
0543036-1	33- 15
0543036-1	33A- 11
0543037-1	32A- 21
0543039-200	32A- 1
0543039-200	33A-
0543039-201	33A- 2
0543039-204	33A- 2A
0543039-205	33A- 2
0543039-3	32A- 1
0543039-3	33A-
0543042-1	32A- 4
0543042-2	32A- 4
054356-1	47-39A
054356-1	98- 20
054404-1	55-24A
054404-2	55-24A
0550100-4	57- 33
0550100-4	57A- 28
0550100-5	57- 11
0550100-6	59- 22
0550100-6	59A- 21
0550100-6	57A- 29
0550100-7	59- 2
0550100-7	59A- 3
0550100-8	51- 26
0550100-8	58- 72
0550100-8	83- 30
0550100-9	57A- 42
0550100-9	58- 55
0550100-9	83- 18

PART NUMBER	FIGURE AND INDEX NO.
0550100-9	83- 30
0550110	63- 28
0550111-10	63- 43
0550111-12	63- 41
0550111-4	63- 42
0550111-7	63- 41
0550111-8	63- 41
0550117	63- 33
0550123	59- 19
0550123	59A- 18
0550124	59- 19
0550144	88- 9
0550150-10	81- 19
0550150-11	81- 28
0550150-13	81- 29
0550150-14	81- 30
0550150-2	81- 23
0550150-3	81- 24
0550150-4	81- 25
0550150-5	81- 15
0550150-6	81- 26
0550150-7	81- 10
0550150-8	81- 11
0550150-9	81- 27
0550152	46- 44
0550152	81- 43
0550152	98- 31
0550153-1	57- 7
0550154-2	57- 8
0550155	57- 9
0550156	57- 5
0550156	57A- 4
0550156	58- 5
0550157	59- 4
0550157	61-
0550157-15	61- 19
0550157-23	61- 27
0550157-27	61- 20
0550157-29	61- 11
0550157-30	61- 13
0550157-31	61- 12
0550157-32	61- 2
0550157-33	61- 15
0550157-34	59- 4
0550157-34	61-
0550157-4	61- 14
0550157-5	61- 16
0550157-51	61- 8
0550157-53	61- 24
0550157-7	61- 7
0550157-7	62- 10
0550157-8	61- 3
0550157-9	61- 1
0550162-3	54- 6
0550162-6	54- 8
0550162-7	54- 5
0550163-3	63- 32
0550163-4	63- 27
0550164-1	63- 15
0550164-10	63- 26
0550164-11	63- 19
0550164-2	63- 22
0550164-3	63- 16
0550164-4	63- 23
0550164-5	63- 17
0550164-6	63- 24
0550164-7	63- 13
0550164-8	63- 20
0550165-2	63- 7
0550165-6	63- 1
0550169-1	83- 41
0550175-1	60- 20
0550175-14	60- 27
0550175-9	60A- 28
0550175-9	60- 28

PART NUMBER	FIGURE AND INDEX NO.
0550176-1	60- 3
0550176-13	62- 9
0550176-2	60- 3
0550176-22	62- 11
0550176-22	62- 11
0550176-26	62- 18
0550176-29	62- 16
0550176-3	62- 3
0550176-31	62- 17
0550176-37	62- 3
0550176-38	62- 4
0550176-39	62- 1
0550176-39	60- 3
0550176-4	62- 4
0550176-40	62- 2
0550176-40	60- 3
0550176-43	62- 7
0550176-44	62- 8
0550176-45	62- 12
0550176-45	62- 12
0550176-50	61- 4
0550176-50	62- 13
0550176-51	62- 1
0550176-51	60A- 3
0550176-52	62- 2
0550176-52	60A- 3
0550176-53	62- 16
0550176-54	62- 16
0550176-55	59A- 4
0550176-55	62- 1
0550176-56	59A- 4
0550176-56	62- 2
0550176-57	62- 9
0550176-59	62- 8
0550176-65	62- 1
0550176-65	60A- 3
0550176-66	62- 2
0550176-66	60A- 3
0550177-1	82B- 24
0550177-1	83- 22
0550179-1	59- 5
0550180-1	59A- 31
0550180-10	59A- 34
0550180-16	59A- 35
0550180-20	59A- 37
0550180-21	59A- 38
0550180-22	59A- 39
0550180-25	59A- 40
0550181-1	60A- 41
0550181-7	60A- 48
0550181-8	60A- 49
0550184-1	57A- 19
0550185-1	57A- 11
0550186-1	59A- 5
0550187-1	60A- 47
0550188-1	60A- 45
0550189-1	58- 51
0550202-11	80A- 10
0550202-3	80A- 9
0550202-9	80A- 4
0550203-1	83- 41
0550205-1	54A- 1
0550205-2	54A- 1
0550209-1	85- 23
0550211-1	54A- 1
0550211-2	54A- 1
0550214-1	60A- 20
0550214-10	60A- 20
0550214-8	60A- 30
0550214-9	60A-28A
0550214-9	60A- 50
0550215-1	60A- 5
0550215-8	60A- 5A
0550218-1	60A- 40
0550218-1	60-31A

PART NUMBER	FIGURE AND INDEX NO.
0550218-2	60A- 40
0550218-2	60-31A
0550219-14	86A- 32
0550219-15	86A- 34
0550219-16	86A- 26
0550219-19	86A- 36
0550219-2	86A- 26
0550219-3	86A- 27
0550219-4	86A- 29
0550219-8	86A- 33
0550222-2	51- 26
0550224-1	59A- 18
0550225-1	60A- 58
0550225-2	60A- 58
0550227-1	60A- 53
0550227-1	60B-
0550228-11	54A- 10
0550228-15	54A- 5
0550228-17	54A- 9
0550228-21	54A- 5
0550228-24	54A- 10
0550228-3	54A- 7
0550291-1	54A- 1
0550292-1	54A- 1
0550309-1	58- 45
0550309-1	60-29A
0550310-1	59-188
0550310-1	60A- 15
0550310-1	60-158
0550311-1	60A- 35
0551000-50	59- 8
0551002-1	60- 5
0551009-1	58- 9
0551011-1	58-12A
0551012-1	58- 12
0551013-1	58- 7
0551013-2	58- 7
0551013-3	58- 8
0551013-4	58- 8
0551014-1	59A- 8
0552001-16	55- 25
0552001-43	55- 38
0552002-10	55- 21
0552002-13	55- 20
0552002-14	55- 19
0552002-20	55- 8A
0552002-21	55- 31
0552002-22	55- 31
0552002-23	55- 33
0552002-24	55- 32
0552002-31	55- 7
0552002-31	55- 37
0552002-34	55- 17
0552002-35	55- 18
0552002-38	55- 24
0552002-40	55- 4
0552002-42	55- 8
0552002-43	55- 3
0552002-46	55- 28
0552002-59	55- 15
0552002-62	55-
0552002-63	55- 13
0552002-64	55- 14
0552002-68	55- 12
0552002-71	55- 11
0552002-74	55- 22
0552002-75	55- 22
0552002-76	55- 6
0552002-78	55- 1
0552002-80	55-
0552002-83	55- 34
0552002-84	55- 35
0552002-85	55- 9
0552002-86	55-24A
0552002-87	55- 23

PART NUMBER	FIGURE AND INDEX NO.
0552002-89	55-24A
0552002-9	55- 39
0552003-10	56- 5
0552003-13	56- 6
0552003-26	56- 8
0552003-26	56A- 6
0552003-27	56- 40
0552003-28	56- 9
0552003-28	56A- 7
0552003-29	56- 4
0552003-34	56-
0552003-35	56- 14
0552003-36	56- 38
0552003-37	56- 31
0552003-38	56- 32
0552003-39	55A- 5
0552003-39	55A- 7
0552003-39	56- 25
0552003-39	56A- 26
0552003-4	56- 12
0552003-42	56- 26
0552003-43	56- 26
0552003-47	56- 24
0552003-48	56- 24
0552003-49	56- 30
0552003-50	56- 35
0552003-51	56- 7
0552003-52	56- 13
0552003-53	56- 39
0552003-54	56- 36
0552003-55	56- 20
0552003-56	56- 20
0552003-57	56- 21
0552003-58	56- 21
0552003-59	56- 22
0552003-60	56- 22
0552003-61	56- 23
0552003-62	56- 23
0552003-63	56- 27
0552003-64	56- 27
0552003-65	56- 11
0552003-66	56- 37
0552003-67	56- 24
0552003-68	56- 24
0552003-69	56- 10
0552003-70	56- 28
0552003-71	56- 37
0552003-72	56- 29
0552003-72	56A- 25
0552003-73	56- 11
0552003-74	56- 11
0552003-75	56- 4A
0552003-79	56- 15
0552003-80	56- 15
0552003-9	56- 5
0552005-2	86- 12
0552006-11	65- 17
0552006-5	65- 14
0552006-6	65- 15
0552006-8	65- 11
0552006-9	65- 18
0552007-13	56A- 5
0552007-15	56A- 30
0552007-17	56A- 16
0552007-18	56A- 17
0552007-2	56A- 13
0552007-200	56A- 13
0552007-21	56A- 19
0552007-22	56A- 20
0552007-24	56A- 21
0552007-25	56A- 22
0552007-26	56A- 22
0552007-27	56A- 24
0552007-28	56A- 23
0552007-29	56A- 27

PART NUMBER	FIGURE AND INDEX NO.
0552007-30	56A- 27
0552007-32	56A- 11
0552007-35	56A- 9A
0552007-37	56A- 12
0552007-38	56A- 12
0552007-4	56A- 29
0552007-41	56A- 28
0552007-42	56A- 28
0552007-43	56A- 8
0552007-48	56A- 9
0552007-5	56A- 40
0552007-53	56A- 10
0552007-54	56A- 13
0552007-55	56A- 2
0552007-56	56A- 5
0552007-59	56A- 41
0552007-6	56A- 38
0552007-6	60A- 39
0552007-60	56A- 41
0552007-67	56A- 33
0552007-68	56A- 34
0552007-69	56A- 32
0552007-70	56A- 32
0552007-71	56A- 47
0552007-72	56A- 47
0552007-73	56A- 31
0552007-74	56A- 31
0552007-77	56A- 19
0552007-78	56A- 20
0552008-2	86- 31
0552009-2	65- 34
0552009-6	65- 30
0552009-8	65- 35
0552010-14	55A- 22
0552010-17	55A- 23
0552010-18	55A- 18
0552010-20	55A- 19
0552010-21	55A- 4
0552010-22	55A- 7
0552010-25	55A- 8
0552010-26	55A- 8
0552010-27	55A- 20
0552010-28	55A- 21
0552010-38	55A- 24
0552010-39	55A- 24
0552010-4	55A- 26
0552010-42	55A- 22
0552010-43	55A- 9
0552010-44	55A- 10
0552010-45	55A- 29
0552010-46	55A- 30
0552010-47	55A- 25
0552010-49	55A- 31
0552010-52	55A- 2
0552010-53	55A- 13
0552010-6	55A- 17
0552010-7	55A- 3
0552010-8	55A- 6
0552011-2	65- 37
0552011-4	65- 41
0552015-2	54B- 1
0552015-2	54C-
0552016-1	54B- 6
0552016-3	54B- 9
0552016-4	54B- 10
0552102	65- 9
0552102	98- 40
0552103	65- 4
0552103	98- 41
0552104	65- 1
0552104-5	65- 5
0552106-2	65- 10
0552106-3	65- 6
0552107-2	65- 26
0552109-3	65- 22

PART NUMBER	FIGURE AND INDEX NO.
0552109-6	65- 23
0552110-1	65- 39
0552110-1	98- 39
0552110-1	98A- 1
0552110-1	65- 21
0552110-1	65- 33
0552110-1	65- 34
0552110-1	65- 36
0553001-1	68A- 38
0555149-13	86- 5
0555149-14	86- 8
0555149-17	86- 7
0555149-18	86- 11
0555149-19	86- 6
0555154-1	64A- 19
0555154-2	64A- 18
0555154-5	64A- 22
0555161-1	64A- 12
0555162-1	64- 3
0555162-1	64A- 15
0555162-1	64B- 20
0555162-1	88- 12
0555164-1	64A- 5
0555164-2	64A- 6
0555165-1	63- 1A
0555165-1	86A- 24
0555165-11	63- 1A
0555165-2	63- 7A
0555165-7	63- 6
0555165-7	86A- 25
0555165-8	63- 12
0555165-9	86A- 25
0555166-10	64A- 2
0555166-5	64A- 3
0555166-6	64A- 4
0555166-7	64A- 10
0555166-8	64A- 11
0555166-9	64A- 1
0555167-1	64B- 48
0555167-10	64B-48A
0555167-11	64B-50A
0555167-12	64B-51A
0555167-13	64B- 56
0555167-14	64B- 57
0555167-2	64B- 49
0555167-3	64B- 50
0555167-4	64B- 51
0555167-5	64B- 53
0555167-6	64B- 54
0555167-7	64A- 52
0555167-7	64B- 55
0555167-8	64B- 51
0555167-9	64B- 48
0555168-1	64B- 23
0555168-2	64B- 25
0555168-5	64B- 30
0555169-1	64B- 1
0555169-12	64B- 2
0555169-14	64B- 4
0555169-15	64B- 2A
0555169-16	64B- 4A
0555169-2	64B- 3
0555169-5	64B- 5
0555169-5	64B- 9
0555169-6	64B- 7
0555169-8	64B- 6
0555169-9	64B- 8
0555171-1	64B- 17
0555174-1	64A- 31
0555174-1	64B- 39
0555174-2	64A- 37
0555174-2	64B- 40
0555174-3	64A- 40
0555174-3	64B- 41
0555174-7	64- 46

PART NUMBER	FIGURE AND INDEX NO.
0555174-8	64- 47
0555174-9	64- 48
0555175-1	64- 45
0555175-1	64A- 28
0555175-1	64B- 36
0555175-2	64- 40
0555175-2	64A- 25
0555175-2	64B- 33
0555175-3	64B- 33
0555176-1	64A- 45
0555176-2	64A- 46
0555176-5	64A- 49
0555176-6	64A- 50
0555176-7	64A- 51
0555179-1	64- 27
0555179-2	64- 28
0555179-5	64- 31
0555179-6	64- 32
0555179-8	64- 33
0555180-1	64- 16
0555180-1	64B- 24
0555180-2	64- 21
0555180-5	64- 19
0555180-5	64- 25
0555180-5	64B- 31
0555180-6	64B- 26
0555181-1	64- 1
0555181-10	64- 5
0555181-10	64B- 15
0555181-10	68A- 19
0555181-11	64- 2
0555181-5	64- 9
0555181-6	64- 10
0555181-7	64- 11
0555181-8	64- 4
0555181-8	64B- 14
0555181-8	68A- 18
0555182-1	64- 13
0555183-1	64A- 53
0555183-2	64A- 53
0555188-1	68A- 17
0555188-11	68A- 22
0555188-13	68A- 21
0555189-1	64- 34
0555189-3	64- 38
0555189-4	64- 39
0555189-5	64- 37
0555190-1	64B- 58
0555190-11	64B- 64
0555190-12	64B- 64
0555190-13	64B- 65
0555190-2	64B- 58
0555190-3	64B- 62
0555190-4	64B- 62
0555190-5	64B- 59
0555190-6	64B- 59
0555191-1	64B- 66
0576001-4	47- 6A
0591101-1	16- 1
0591101-1	17- 1
0591101-10	16A- 1
0591101-10	17- 1
0591101-3	16- 1
0591101-3	17- 1
0591101-4	16- 1
0591101-4	17- 1
0591101-5	16- 1
0591101-5	17- 1
0591101-6	16- 1
0591101-6	17- 1
0591101-7	16- 1
0591101-7	17- 1
0591101-8	16A- 1
0591101-8	17- 1
0591101-9	16A- 1

PART NUMBER	FIGURE AND INDEX NO.
0591101-9	17- 1
0591200-3	30- 4
0591201-1	16- 2
0591201-1	27- 1
0591201-2	27- 3
0591201-2	27A- 1
0591201-2	30- 1
0591201-3	27- 4
0591201-3	31- 1
0591201-4	16- 2
0591201-4	27- 2
0591301-1	17- 1
0591301-1	18- 1
0591301-10	18- 4
0591301-10	22- 1
0591301-11	19- 4
0591301-11	22- 1
0591301-12	17- 1
0591301-12	19- 1
0591301-13	25
0591301-13	17- 1
0591301-14	19- 1
0591301-14	18- 1
0591301-15	24- 1
0591301-15	17- 1
0591301-16	18- 1
0591301-16	18- 1
0591301-2	24- 1
0591301-2	18- 3
0591301-3	19- 3
0591301-3	20- 1
0591301-3	18- 4
0591301-4	22- 44
0591301-4	17- 1
0591301-5	19- 1
0591301-5	19- 4
0591301-6	22- 1
0591301-6	19- 1
0591301-7	25
0591301-7	17- 1
0591301-8	18- 1
0591301-8	18- 1
0591301-9	18- 1
0591301-9	24- 1
0591302-1	17- 1
0591302-1	19- 1
0591302-2	19- 1
0591302-2	25- 1
0591302-3	17- 1
0591302-3	19- 1
0591302-4	19- 1
0591302-4	24A- 1
0591302-5	19- 1
0591302-6	19- 1
0591302-6	25- 1
0592300-2	8- 1
0592300-3	7- 1
0592300-4	8- 1
0592300-5	7- 1
0592300-6	7- 1
0592300-7	7- 1
0593000-1	15- 9
0593000-2	15- 9
0593000-3	15- 9
0594300-208	32- 1
0594300-208	33- 1
0594300-212	32- 1
0594300-212	33- 1
0595000-1	55- 1
0595000-10	55- 30
0595000-11	55- 9
0595000-12	55- 10
0595000-2	55- 2
0595000-3	55- 5
0595000-4	55- 9

PART NUMBER	FIGURE AND INDEX NO.
0595000-5	55- 10
0595000-6	55- 29
0595000-7	56- 2
0595000-8	56- 3
0595000-9	56- 16
0700030-1	84- 5
0700030-10	84- 3
0700030-11	84- 4
0700030-2	84- 6
0700030-3	84- 12
0700030-4	84- 11
0700030-5	84- 17
0700030-6	84- 26
0700036-2	47- 49
0700036-2	51- 29
0700036-2	51B- 33
0700073-2	53A- 1
0700100-191	39- 36
0700100-191	40- 50
0700100-192	39- 5
0700100-192	40- 18
0700100-193	39- 6
0700100-193	40- 19
0700100-205	39- 40
0700100-205	40- 54
0700101-143	41- 14
0700101-144	41- 14
0700101-2	41- 24
0700101-38	41- 23
0700105-10	38- 15
0700105-21	36- 9
0700105-347	36- 9
0700105-381	36- 11
0700105-397	36A- 12
0700105-397	36B- 10
0700105-425	36B- 10
0700105-47	36- 8
0700105-65	38- 12
0700105-81	36- 10
0700106-1	36- 12
0700106-1	36A- 37
0700109-8	40- 58
0700114-35-273	41- 23
0700114-36	41- 23
0700120-1	93- 22
0700315-1	52- 29
0700315-2	52- 29
0700317-10	66A- 1
0700317-12	66A- 2
0700317-14	6A- 6
0700317-17	66A- 9
0700319-13	98A- 15
0700320-1	36A- 48
0700320-1	36B- 13
0700322-4	66B- 11
0700323-1	66B- 1
0700323-2	66B- 2
0700324-1	66B- 12
0700325-1	66B- 8
0700326-1	16A- 14
0700326-1	66B- 4
0700327-1	66B- 3
0700616-1	92A- 2
0710011-1	38A- 13
0710032-3	41- 30
0710032-3	98A- 27
071C101-1	91- 3
071C101-3	91- 1
0710103-1	91- 4
0710103-2	91- 12
0710103-4	91- 1
0710103-6	91- 4
0710103-7	91- 4
0710104-1	17- 46
0710302-1	36A- 31

PART NUMBER	FIGURE AND INDEX NO.
0710302-1	36B- 66
0710304-2	36A- 18
0710308-1	36A- 34
0710308-1	36B- 69
0710309-1	36A- 29
0710312-2	36A- 40
0710312-2	36B- 21
0710313-1	36A- 4
0710313-2	36A- 5
0710313-2	36B- 6
0710316-1	36A- 15
0710317-1	36B- 68
0711001-59	42- 18
0711001-59	42A- 17
0711001-59	43- 19
0711013	43- 14
0711021-1	42A- 30
0711021-4	42A- 31
0711021-5	42A- 33
0711021-7	42A- 45
0711021-9	42A- 33
0711023-13	42A- 29
0711023-14	42- 10
0711023-14	42A- 9
0711023-15	42A- 9
0711023-15	43- 11
0711027-1	42- 6
0711027-1	42A- 5
0711027-1	43- 7
0711030-20	36- 24
0711031-1	36- 20
0711050-1	42A- 37
0711050-11	42- 39
0711050-13	42- 42
0711050-5	42A- 39
0711050-7	42- 42
0711050-7	42A- 40
0711051-1	42- 40
0711051-1	42A- 38
0711051-5	42- 41
0711051-5	42A- 38
0711052-1	42A- 41
0711079-1	38A- 11
0711080-1	38A- 8
0711083-1	38A- 16
0711097-2	38A- 1
0711097-21	38A- 10
0711097-4	38A- 9
0711098-3	38A- 5
0711098-4	38A- 5
0711101-25	45A- 16
0711101-27	27A- 37
0711101-29	45A- 1
0711101-33	45A- 1
0711101-4	27A- 40
0711101-6	27A- 39
0711101-8	27A- 38
0711102	45A- 2
0711133-10	40- 30
0711133-9	40- 29
0711134-1	45A- 12
0712009-2	38A- 15
0712601-2	23- 3
0712601-3	23- 4
0712601-4	23- 5
0712603-2	88- 15
0712603-2	89- 15
0713002-3	19- 31
0713003-51	26- 13
0713003-51	26A- 19
0713003-51	89- 20
0713009-1	49- 33
0713009-2	49- 11
0713011-12	52- 15
0713011-13	52- 13

PART NUMBER	FIGURE AND INDEX NO.
0713017-21	91- 5
0713017-22	91- 26
0713019-16	67- 23
0713019-16	68- 21
0713019-19	67- 20
0713019-19	68- 18
0713019-20	67- 12
0713019-24	67- 18
0713019-24	68- 10
0713019-31	67- 33
0713019-32	67- 37
0713019-33	63- 11
0713019-33	63- 29
0713019-33	64- 12
0713019-33	64- 26
0713019-33	64A- 7
0713019-33	64A- 24
0713019-33	64B- 10
0713019-33	64B- 11
0713019-33	64B- 52
0713019-33	65- 29
0713019-35	67- 27
0713019-37	67- 24
0713019-37	68- 22
0713019-41	67- 21
0713019-41	68- 19
0713019-75	67- 25
0713019-78	67- 26
0713019-8	67- 35
0713019-85	67- 12
0713019-85	68- 12
0713019-87	67- 32
0713019-89	67- 31
0713020-1	78- 30
0713020-1	78A- 33
0713020-2	78- 31
0713026-4	46- 19
0713026-4	47- 20
0713026-4	51B- 18
0713026-5	46- 20
0713026-5	47- 21
0713026-5	51A- 36
0713026-5	51B- 16
0713026-9	51A- 31
0713028-3	50- 9
0713028-3	50- 14
0713028-3	51- 11
0713028-3	51A- 56
0713028-5	50- 8
0713028-5	50- 13
0713028-8	50- 9
0713028-8	50- 14
0713028-8	51- 11
0713028-8	51A- 56
0713029	91- 13
0713029	91- 29
0713035	46- 18
0713035	47- 19
0713035	51A- 29
0713035	51B-18A
0713037	78- 25
0713037	78A- 25
0713046	40- 12
0713047	98- 12
0713047	98A- 17
0713049-3	41- 19
0713049-7	41- 20
0713049-8	41- 19
0713052	22- 6
0713054-1	20- 47
0713054-2	20- 47
0713054-3	20- 59
0713054-4	20- 59
0713062-6	47- 44
0713062-6	51A- 9

PART NUMBER	FIGURE AND INDEX NO.
0713064-2	51- 10
0713064-2	51A- 55
0713065	51- 22
0713068-2	52- 21
0713068-4	52- 21
0713071	52- 23
0713072-1	46- 33
0713072-1	51A- 37
0713074-1	35- 2
0713074-1	36- 3
0713074-1	36A- 1
0713074-1	36B- 2
0713124-1	92- 6
0713131-1	51- 15
0713135-1	19- 40
0713135-1	66- 16
0713139-1	19- 42
0713139-1	66- 18
0713140-1	19- 41
0713140-1	66- 17
0713200-19	46- 24
0713200-19	51A- 43
0713200-4	50- 25
0713200-5	50- 28
0713200-7	46- 42
0713200-7	50- 27
0713209-1	85- 21
0713210-4	39- 14
0713210-4	40- 28
0713210-4	40- 28
0713210-4	98- 15
0713210-4	98A- 16
0713213	50- 10
0713213	98- 24
0713221-1	51B-32A
0713302-5	47- 10
0713302-5	47- 10
0713302-5	47- 11
0713302-5	51A- 20
0713302-5	51A- 21
0713302-5	57A- 38
0713302-5	58- 23
0713302-5	58- 23
0713302-5	68A- 13
0713302-5	68A- 13
0713302-5	68A- 49
0713302-6	47- 11
0713302-6	47- 18
0713302-6	47- 18
0713302-6	51A- 28
0713302-6	51B- 20
0713302-6	51B- 21
0713302-6	66- 23
0713302-6	68A- 26
0713302-7	47- 12
0713302-7	47- 12
0713302-7	47- 13
0713302-7	47- 13
0713302-7	47- 39
0713302-7	47- 39
0713302-7	51A- 23
0713302-7	51A- 24
0713302-7	51B- 10
0713302-7	51B- 12
0713302-7	51B- 19
0713302-7	57A- 20
0713302-7	58- 30
0713302-7	58- 30
0713302-7	78A- 24
0713302-7	78A- 24
0713302-7	80- 22
0713302-7	80- 22
0713302-7	80- 23
0713302-7	80- 23
0713303-11	83C- 17

PART NUMBER	FIGURE AND INDEX NO.
0713303-14	49- 27
0713303-2	43- 6
0713303-2	47- 21
0713303-2	51A- 29
0713303-2	51A- 31
0713303-2	51A- 36
0713303-2	51B- 16
0713303-2	51B- 18
0713303-2	51B-18A
0713303-2	66- 12
0713303-7	49- 29
0713303-7	49A- 6
0713303-9	83A- 22
0713303-9	83C- 16
0713307-1	58- 62
0713307-2	58- 61
0713495-10	20- 48
0713495-13	20- 41
0713495-14	20- 41
0713495-17	20- 50
0713495-53	20- 57
0713495-54	20- 58
0713495-55	20- 49
0713495-9	20- 48
0713496-3	20- 14
0713496-4	20- 24
0713511-1	88- 7
0713511-1	89- 7
0713705-4	82A- 24
0713705-4	82B- 36
0713705-4	98A- 30
0713705-4	51- 31
0713724-1	49A- 13
0713724-1	98A- 29
0716119-4	7- 29
0716119-5	7- 28
0716119-6	7- 28
0716124-2	8- 26
0716124-5	7-26A
0716128-10	79A- 13
0716128-11	79A- 25
0716128-11	79A- 30
0716128-12	79A- 22
0716128-13	79A- 17
0716128-14	79A- 21
0716128-15	79A- 15
0716128-16	79A- 34
0716128-17	79A- 32
0716128-18	79A- 10
0716128-19	79A- 40
0716128-20	79A- 43
0716128-22	79A- 28
0716128-23	79A- 2
0716128-24	79A- 7
0716128-25	79A- 8
0716128-26	79A- 3
0716128-27	79A- 36
0716128-28	79A- 37
0716128-29	79A- 39
0716128-30	79A- 44
0716128-31	79A- 38
0716128-32	79A- 35
0716128-33	79A-
0716128-45	79A- 26
0716128-5	79A- 1
0716128-6	79A- 11
0716128-7	79A- 12
0716128-8	79A- 42
0716128-9	79A- 16
0716612-202	79- 29
0720005-1	2- 41
0720005-1	3- 37
0720608-2	4- 28
0720608-7	2- 25
0720608-7	3- 21

PART NUMBER	FIGURE AND INDEX NO.
0721101	76- 22
0721101	77- 27
0721105-2	76- 23
0721105-2	77- 28
0721105-5	76- 25
0721105-5	77- 30
0721107-1	2- 53
0721107-1	3- 49
0721107-2	2- 53
0721107-2	3- 49
0721111-10	3- 13
0721111-9	3- 13
0723600-6	11- 7
0723600-6	11- 9
0724115-2	9- 26
0726001-7	7- 33
0726001-7	8- 18
0726109-1	60- 19
0734102-3	15- 39
0734102-4	15- 40
0741000-7	34- 14
0741008-1	34- 62
0741008-1	34A- 46
0741008-2	34- 55
0741008-2	34A- 39
0741008-3	34- 53
0741008-3	34A- 37
0741008-4	34- 54
0741008-4	34A- 38
0741008-5	34- 52
0741008-5	34A- 36
0741018-1	34A- 23
0741103	34- 56
0741103	34A- 40
0741610-11	34A- 48
0741610-12	34A- 48
0741610-19	34A- 55
0741610-5	34A- 50
0741610-6	34A- 50
0742410-12	34- 50
0742410-12	34A- 54
0742410-13	34- 51
0742410-13	34A- 55
0742410-14	32- 34
0742410-14	32A- 35
0742410-15	32- 30
0742410-15	32A- 28
0742410-16	34- 44
0742410-16	34A- 50
0742410-17	34- 44
0742410-17	34A- 50
0742410-18	34- 49
0742410-18	34A- 53
0742410-19	34- 49
0742410-19	34A- 53
0742410-201	32- 25
0742410-201	32A- 23
0742410-25	32- 25
0742410-25	32A- 23
0742410-8	32- 29
0742410-8	32A- 32
0742410-9	32- 35
0742410-9	32A- 33
0743001-2	100-
0743008-1	32- 8
0743008-1	32A- 6
0743008-2	32- 8
0743008-2	32A- 6
0743009-1	32- 39
0743009-1	32A- 25
0743009-1	33- 6
0743011-4	33-29A
0743011-4	33A- 24
0743609-10	32- 38
0743609-17	32A- 23

PART NUMBER	FIGURE AND INDEX NO.
0743609-201	32A- 23
0743609-6	32A- 33
0750029-1	51- 27
0750029-1	85- 22
0750100-6	60- 22
0750103-1	83- 34
0750104-2	82B- 27
0750104-2	82C- 21
0750104-2	83- 24
0750111-19	60A- 25
0750111-19	60- 24
0750113-1	59A- 36
0750113-1	60A- 46
0750113-3	60A- 27
0750113-3	60- 26
0750117-31	64- 52
0750117-31	64A- 32
0750117-31	64A- 38
0750117-31	64B- 47
0750121	64A- 44
0750121	64B- 48
0750125-1	80A- 7
0750125-10	80A- 4
0750125-11	80A- 10
0750125-2	80A- 8
0750125-4	80A- 6
0750125-9	80A- 10
0750131-1	60A- 22
0750131-1	60A- 43
0750132-1	60- 2
0750132-1	60A- 2
0750133-8	60A- 24
0750133-8	60- 23
0750137	60- 2
0750137	60A- 2
0750139	59A- 22
0750142-1	60A- 23
0750142-1	60A- 44
0750142-1	60-22A
0750159-1	58- 34
0753000-13	24- 12
0753000-13	24A- 14
0753000-13	25- 14
0753000-13	25-14A
0753010-1	68A- 37
0753011-2	68A- 36
0756001-1	80- 33
0756001-2	80- 37
0756001-3	80- 24
0756001-4	51A- 25
0756001-4	51A- 44
0756001-4	51B- 12
0756001-8	80- 20
0756002	80- 32
0770011-16	83A- 59
0770011-16	83B- 33
0770011-19	83B- 1
0770011-19	83D- 18
0770011-22	83B- 37
0770011-24	83B- 10
0770011-24	83D- 7
0770011-25	83B- 2
0770011-29	83B- 25
0770011-29	83D- 59
0770011-30	83B- 24
0770011-30	83D- 56
0770011-31	83B- 49
0770011-32	83B- 48
0770011-33	83B- 50
0770011-33	83D- 94
0770011-34	83B- 66
0770011-35	83B- 61
0770011-36	83B- 62
0770011-37	83B- 13
0770011-37	83D- 28

PART NUMBER	FIGURE AND INDEX NO.
0770011-38	83B- 31
0770012-13	83A- 33
0770012-13	83A- 63
0770012-13	83A- 70
0770012-13	83B- 9
0770012-13	83B- 10
0770012-13	83B- 30
0770012-13	83B- 32
0770012-13	83C- 34
0770012-13	83C- 40
0770012-13	83C- 54
0770012-13	83D- 27
0770012-13	83D- 33
0770012-13	83D- 49
0770012-15	83A- 54
0770012-15	83B- 53
0770012-15	83D- 95
0770012-17	83A- 67
0770012-17	83C- 41
0770012-18	83A- 58
0770012-18	83B- 56
0770012-19	83A- 40
0770012-19	83B- 35
0770012-20	83A- 41
0770012-20	83B- 36
0770012-24	83A- 25
0770012-33	83A- 32
0770012-39	83A- 65
0770012-39	83C- 36
0770012-42	83A- 31
0770012-43	83A- 30
0770012-43	83C- 46
0770012-45	83C- 55
0770012-45	83D- 65
0770012-45	83D- 88
0770012-5	83A- 1
0770012-5	83C- 1
0770012-6	83A- 23
0770012-6	83C- 18
0770012-7	83A- 60
0770012-7	83B- 5
0770012-7	83D- 1
0770012-8	83A- 24
0770012-8	83C- 20
0770012-9	83A- 64
0770012-9	83C- 35
0770028-3	83D- 97
0770028-4	83D- 98
0770028-5	83D- 91
0770028-6	83D- 92
0770048-1	27- 47
0770048-1	27A- 44
0770657-1	88- 15
0770657-1	89- 15
0800023-5	36B- 13
0800030-14	84- 22
0800030-19	84- 30
0800030-2	84- 21
0800030-4	84- 29
0800030-5	84- 27
0800030-7	84- 23
0800111-2	52- 16
0812353-2	88- 7
0812353-2	89- 7
0812362-1	84- 9
0812363-1	84- 14
0812366-1	84- 28
0812369-1	84- 31
08125	100A- 5
0813503-4	82- 39
0813514-11	82- 37
0813514-6	32- 40
0813610-3	66A- 3
0813610-3	66B- 5
0813619-2	82B- 23

PART NUMBER	FIGURE AND INDEX NO.
0813619-2	83- 20
0813619-3	82- 17
0813619-3	82A- 15
0813619-3	82B- 23
0813619-3	83- 20
08231	100A- 8
0841000-64	33- 42
0841000-70	33- 50
0841000-83	33- 49
0841000-84	33- 32
0841000-84	33- 44
0841000-98	33- 30
0841000-99	33- 41
0841000-99	33- 55
0841200-15	33- 24
0841200-15	33A- 16
0841200-18	33- 18
0841200-18	33A- 14
0841200-19	33- 17
0841200-19	33A- 13
0841200-21	33- 10
0841200-21	33A- 7
0841200-25	33- 25
0841200-25	33A- 15
0841200-42	33- 22
0841200-42	33A- 18
0841200-7	33- 8
0841200-7	33A- 5
0842400-16	101- 13
0842400-2	101- 2
0842400-2	101- 15
0842400-4	101- 10
0842400-7	101- 4
0842400-7	101- 17
0842400-8	32- 6
0842400-8	101- 1
0842405-4	101- 1
0842405-5	101- 14
0842406-1	82B- 31
0850406-14	83- 35
0850406-14	82C- 22
0850410-1	80- 15
0850500-17	89- 6A
0851583-2	80- 18
0851583-3	80- 16
0851592-1	80- 19
0851700-14	64- 20
0851700-14	64- 26
0851700-14	64A- 23
0851700-14	64B- 32
1-1/2-1-A-1	90- 9
1-1/2PF-11	90- 8
1-1/2PF-12	90- 9
100	53- 1
10004-101	52- 29
10004-98	52- 4
111058	93- 16
1114-5	7- 18
1200058-1	84- 1
1200077-10	83C- 56
1200077-10	83D- 66
1200077-12	83C- 64
1200077-13	83D- 93
1200077-15	83C- 47
1200077-16	83D- 13
1200077-17	83D- 5
1200077-18	83D- 11
1200077-2	83B- 17
1200077-2	83D- 15
1200077-22	83D- 10
1200077-23	83D- 12
1200077-25	83C- 59
1200077-26	83C- 60
1200077-27	83D- 29

PART NUMBER	FIGURE AND INDEX NO.
1200077-28	83D- 30
1200077-28	83D- 64
1200077-3	83C- 80
1200077-3	83D- 85
1200077-31	83D- 31
1200077-34	83D- 32
1200077-37	83D- 88
1200077-39	83C- 31
1200077-4	83C- 80
1200077-4	83D- 85
1200077-5	83C- 67
1200077-5	83D- 75
1200077-7	83C- 81
1200077-7	83D- 84
1200077-8	83C- 58
1200077-8	83C- 82
1200077-8	83D- 86
1200077-9	83C- 78
1200077-9	83D- 75
1200078-10	83C- 52
1200078-11	83C- 43
1200078-12	83C- 42
1200078-15	83C- 53
1200078-2	83C- 29
1200078-7	83C- 25
1200079-10	83D- 38
1200079-2	83D- 36
1200079-3	83D- 37
1200079-4	83D- 50
1200079-6	83D- 50
1200079-8	83D- 48
1200079-9	83D- 47
1200086-5	40- 48
1200086-6	40- 49
120009	56A- 48
120009	60A- 40
120009	60- 29
120009-06	56A- 48
120009-06	60A- 40
120009-06	60- 29
1200092-1	36B- 51
1200108-1	36A- 47
1200108-1	36B- 14
1200130	91-25A
1200134-1	36B- 15
1200136-1	36B- 26
1200137-1	36B- 54
1200138-1	36B- 44
1200139-1	36B- 41
1200141-1	36B- 39
1200141-2	36B- 39
1200142-1	36B- 24
1200142-2	36B- 24
1200143-1	36B- 52
1200143-2	36B- 52
1200146-1	36B- 35
1200147-1	36B- 28
1200147-2	36B- 29
1200152-1	36B- 30
1200154-1	36B- 45
1200155-1	36B- 43
1200156-1	36B- 47
1200157-1	36B- 37
1200158-1	36B- 61
1200158-5	36B- 61
1200159-1	36B- 49
1200161-1	36B- 17
1200162-21	36B- 1
1200162-22	36B- 1
1200162-23	36B- 16
1200162-24	36B- 16
1200162-25	36B- 3
1200162-26	36B- 3
1200162-27	36B- 20
1200162-28	36B- 9

PART NUMBER	FIGURE AND INDEX NO.	PART NUMBER	FIGURE AND INDEX NO.	PART NUMBER	FIGURE AND INDEX NO.
1200163-1	368- 23	34-825-6	608- 46	95-0476	99- 15
1200163-2	368- 23	34-825-7	608- 8	95-0477	99- 3
1200164-1	368- 19	34-825-8	608- 34	95-0477	99- 14
1210040-10	43- 30	34-827-1	608- 7	95-10236	100- 13
1210040-23	43- 29	34-827-2	608- 19	95-1043	99- 19
121615	55A- 32	34-827-3	608- 28	95-1567	99- 10
121615	59A- 41	34-827-6	608- 23	95-1567	100- 9
121615-06	55A- 32	34-827-7	608- 21	95-20206	100- 5
121615-06	59A- 41	34-827-901	608- 20	95-2243	99- 21
1241063-2	34A- 23	4	100- 19	95-2244	99- 22
1243030-1	33- 77	4002-G	56- 41	95-2313	99- 7
1243030-1	33A- 46	4002-4W	56- 41	95-23566	100- 18
1243030-2	33- 77	47A1562	33- 15	95-3474	99- 1
1243030-2	33A- 46	48172	10- 37	95-4545	100- 7
1243030-3	33- 77	49165	79- 10	95-4547	100- 14
1243030-3	33A- 46	49165-21	83C- 62	95-4909	99- 33
1243616-1	32A- 36	49165-21	83D- 70	95-5154	100- 15
1253033-2	68A- 40	49165-22	83D- 71	95-5163	99- 34
1253034-1	68A- 39	49166	57- 37	95-5195	99- 36
1253037-1	68A- 41	49166-21	83C- 50	95-5219	99- 9
1253040-1	68A- 40	49167-21	83C- 48	95-5383	99- 39
1253041-1	68A- 43	49167-21	83D- 34	95-5761	99- 37
133A3	82C- 20	49237	82- 6	95-7126	99- 34
13830	99-14A	49265-F-52	50- 7	9510155	99- 25
13889	99- 16	49265-F-52	50- 12	9510186*	100- 3
153-8	100A- 3	49265-F-52	51A- 13	9510731	99- 32
154-6	100A- 4	49265-F-930	40- 36	9510957	99- 35
155-2	100A- 2	49265-F-938	39- 22	9511269	99- 28
161-5	100A- 6	49265-F-938	41- 25	9511271	99- 29
162-5	100A- 7	49265F-52	51- 7	9520101	99- 4
1777	14- 30	49265F-52	51- 9	9520448	99- 37
1777	14A- 21	49265F-938	38A- 12	9520657	99- 5
1816	91- 24	49330	16- 9	9520925	100- 1
1866-22	100A- 9	49330	16A- 9	9521184	99- 24
200AC-6	102- 21	50658	608- 45	9521184	99- 24
212-12	27- 57	50659	608- 43	9521698	99- 17
22-FH-428	99- 13	50661	608- 14	9523482	99- 38
22-FH-428	100- 10	50668	608- 24	9524192	100- 4
22A3-02	13- 47	50672	608- 31	9524193	100- 2
22NA-3-054	31- 19	50674	608- 9	9524201	99- 6
22NA1K-02	2- 45	50692	608- 44	9524202	99- 8
22NA1K-02	3- 41	51043	2- 49	9524209	99- 32
22NKM-02	21- 9	51142	46- 22	9524218	99- 20
222	38- 4	511846-4	99- 35	9524223	99- 25
244-16D	56- 19	51471	608- 38	9524343	99- 32
2600-SW2	27- 44	51692	608- 25	9524463	99-37A
2600-3W	27- 44	52121	608- 29	9530287	99- 30
2857-4	60A- 51	52155	608- 30	9532277	99- 31
31111-1	93- 12	52203	608- 32	9532671	100- 2
312-12	56A- 39	52204	608- 33	9532672	100- 4
3175-15	7- 19	52204	608- 36	9541458	99- 24
32	46- 23	52205	608- 35	99608	50- 26
32	47- 24	53166	608- 37	99608	50- 27
32	51A- 42	53265	608- 12	99608	50- 28
32	51B- 13	53294	608- 16	99608-K2215	41- 23
33	46- 23	53345	608- 13	99608K2215	47- 7
33	47- 24	53914	608- 42	99608K2215	51B- 35
33	51A- 42	53939	608- 48	99785-2	60A- 29
33	51B- 13	53940	608- 39	99833-C.098	56A- 15
33-199-1	80- 10	53942	608- 47	99836	55A- 16
33-199-2	80- 6	5435	86A- 23	99836	55A- 33
33-199-26	80- 6	55149	608- 11	99836	56A- 40
33-199-3	80- 11	55172	608- 10	99871-C.098	56A- 18
33-199-4	80- 7	55774	608- 15	99871-C.098	56A- 39
33-199-5	80- 8	60 OHM-10W	46- 38	99871-C.098	60A- 39
33-199-6	80- 9	684-3-11-20-P	58- 14	99874-1	55A- 33
33-199-7	80- 13	684-3-11-36P	60A- 36	99874-1	56A- 40
33-199-8	80- 12	684-3-11-36P	59- 6		
330R	51- 17	684-3-22-36-P	59A- 6		
330R	82A- 2	807	42- 5		
330R	82B- 2	807	42A- 4		
34	46- 23	807	43- 5		
34	47- 24	845- X	54C- 25		
34	51A- 42	95-0471	100- 16		
34	51B- 13	95-0472	100- 11		

