



AIRCRAFT COMPANY

PAWNEE DIVISION

Wichita, Kansas

**WHERE THIS CATALOG REFERS TO A
SPECIFIC MODEL IT IS NOTED AS FOLLOWS:**

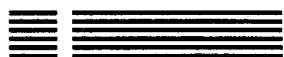
150 FOR THE MODEL 150.

A150 FOR THE AEROBAT

F150 FOR THE FRENCH MANUFACTURED 150.

FA150 FOR THE FRENCH MANUFACTURED AEROBAT.

**THIS CATALOG SUPERSEDES ALL PREVIOUS 150 & A150
PARTS CATALOGS DATED 1 JULY 1969 THRU 15 JUNE 1975**



1 JULY 1976



INSERT LATEST CHANGED PAGES. DESTROY SUPERSEDED PAGES.

LIST OF EFFECTIVE PAGES

Dates of issue for original and changed pages are:

Original . . . 0 . . . 1 July 1976

TOTAL NUMBER OF PAGES IN THIS PUBLICATION IS 500 CONSISTING OF THE FOLLOWING:

Page No.	Change No.	Page No.	Change No.	Page No.	Change No.
Title	0	48.	0	96 thru 102.	0
A	0	49.	0	102A	0
B	0	49A	0	102B blank	0
C blank	0	49B	0	103 thru 105	0
i	0	50.	0	105A thru 105D.	0
ii	0	51.	0	106 thru 110	0
ii-a	0	51A	0	110A blank	0
ii-b	0	51B blank	0	110B thru 110H.	0
iii.	0	52.	0	110J thru 110M.	0
iv.	0	53.	0	110N blank	0
iv-a thru iv-g	0	53A	0	110P	0
iv-h blank	0	53B	0	111 thru 113	0
v thru xxxiv	0	54	0	113A thru 113E.	0
1 thru 5	0	55	0	113F blank	0
5A	0	55A	0	113G	0
5B blank	0	55B	0	113H	0
6 thru 10	0	56 thru 61	0	113J thru 113M.	0
10A thru 10H.	0	61A thru 61D.	0	114 thru 121	0
10J thru 10N	0	62	0	121A thru 121H.	0
10P thru 10V.	0	63	0	121J thru 121N.	0
11 thru 13	0	63A thru 63C.	0	121P thru 121T.	0
13A	0	63D blank	0	122	0
13B	0	64 thru 67	0	123	0
14 thru 19	0	67A thru 67C.	0	123A thru 123F.	0
19A	0	67D blank	0	124	0
19B blank	0	68 thru 75	0	125	0
20 thru 22	0	75A	0	125A	0
22A	0	75B	0	125B	0
22B	0	76 thru 86	0	126	0
23 thru 27	0	86A thru 86C.	0	127	0
27A	0	86D blank	0	127A thru 127H.	0
27B	0	87 thru 89	0	127J.	0
28 thru 31	0	89A thru 89H.	0	127K blank	0
31A	0	90	0	128	0
31B blank	0	91	0	129	0
32	0	91A thru 91C.	0	129A	0
33	0	91D blank	0	129B	0
33A	0	91E	0	130	0
33B	0	91F	0	131	0
34 thru 47	0	92 thru 95	0	131A	0
47A	0	95A thru 95C.	0	131B	0
47B blank	0	95D blank	0	132	0

Upon receipt of the second and subsequent changes to this book, personnel responsible for maintaining this publication in current status should ascertain that all previous changes have been received and incorporated.

* The asterisk indicates pages changed, added, or deleted by the current change.

INSERT LATEST CHANGED PAGES. DESTROY SUPERSEDED PAGES.

LIST OF EFFECTIVE PAGES

Dates of issue for original and changed pages are:

Original . . . 0 . . . 1 July 1976

Page No.	Change No.	Page No.	Change No.
133	0	186B	0
133A	0	187 thru 189	0
133B	0	189A	0
134	0	189B blank	0
135	0	190	0
135A	0	191	0
135B	0	191A thru 191F	0
136	0	192	0
137	0	193	0
137A thru 137C	0	193A	0
137D blank	0	193B blank	0
138 thru 142	0	194 thru 197	0
142A	0	197A	0
142B blank	0	197B	0
143	0	198	0
143A	0	199	0
143B	0	199A	0
144 thru 147	0	199B blank	0
147A	0	199C thru 199F	0
147B	0	200 thru 202	0
148 thru 150	0	202A thru 202C	0
150A	0	202D blank	0
150B	0	203 thru 207	0
151	0	208 blank	0
152 thru 159	0	209 thru 246	0
159A	0		
159B	0		
160 thru 163	0		
163A	0		
163B blank	0		
164 thru 171	0		
171A	0		
171B blank	0		
172	0		
173	0		
173A thru 173C	0		
173D blank	0		
174 thru 179	0		
179A thru 179C	0		
179D blank	0		
180 thru 186	0		
186A	0		

Upon receipt of the second and subsequent changes to this book, personnel responsible for maintaining this publication in current status should ascertain that all previous changes have been received and incorporated.

* The asterisk indicates pages changed, added, or deleted by the current change.

This page intentionally left blank.

INTRODUCTION.

This illustrated parts catalog has been prepared to aid you in easily and quickly identifying parts of the models covered herein.

This catalog features an index system consisting of:

1. An alphabetical index located in the front of the catalog.
2. A numerical index located in the back of the catalog, which lists all parts and figures in which they appear.

STANDARD PARTS.

Many parts having standard usage have been incorporated into the Cessna Standard System. Parts in this group are designated with the part number prefix "S".

For standard hardware items such as Tinnerman nuts, clamps, etc., "AN" and "NAS" numbers have been used.

USABLE ON CODES... Serial listings in this catalog are noted by a letter code located in the usable on code column which is the extreme right hand column of the parts list page. Usable on codes are applicable only to the figure on which they appear. The code letters and the serials to which they apply are listed at the end of the figure.

If no usable on code appears opposite a first column listing of the figure, the usage is applicable to all models and serials covered by this catalog. If no usable on code appears opposite any indented listing, the usage is applicable to all models and serials covered by the figure on which it appears.

Bold face type serials appearing on certain figures are for quick reference to large blocks of airplanes.

FRENCH 150 serial usage is listed together with the United States serial usage immediately following the parts listing on each individual figure where applicable.

NON-INTERCHANGEABLE PARTS... When parts are not interchangeable with earlier models, all parts applicable to the particular usage are listed. The letter code for the individual part usage is listed in the usable on column opposite each part. Care should be exercised in determining proper serial when ordering to insure receipt of correct part.

INTERCHANGEABLE PARTS... When a later design part is completely interchangeable with the part it replaces, both parts will be serialized and the notation "when exhausted use ___", or the abbreviation, "WEU ___" will be entered following the listing of the earlier design part. This means that the earlier design part should be used on airplanes to which they apply until the supply of these parts is exhausted---after which time the later design part must be used. This is done to simplify stocking of parts by our distributors and dealers. The earlier part is as good, physically and functionally, as the later design part---the difference

being the later design part can be used on more than one block of airplane serials.

SYMBOLS & PART NUMBER TERMS.

NP - The symbol "NP" appearing in the units per assembly column denotes that the item it appears opposite is not procurable.

AR - The symbol "AR" appearing in the units per assembly column denotes "As Required" and is used to indicate bulk quantity where an indefinite amount is used.

The following is a list of abbreviations that may appear in the description nomenclature:

ALT - Alternate part	INSTL - Installation
ASSY - Assembly	LH - Left hand
BKI - Bulk item	RH - Right hand
FSO - For spares order	WEU - When exhausted use

Other key letter symbols spaced apart from and following the part nomenclature are for cataloging and manufacturing purposes only and are not to be considered by the customer.

A blank entry in the part number column appears before an unprocurable part or installation which is also denoted in the "Units Per Assembly" column by the use of the symbol NP.

GROUP ASSEMBLY PARTS LIST ARRANGEMENT.

This section lists all replaceable items in the airplane and these items are detailed on illustrations throughout the section. The index numbers on the illustration are keyed to each accompanying parts list. The purpose of the index numbers is to provide complete and positive identification of the article, but should not be used for procurement purposes.

- a. The figure and index number column of the parts list shows the figure number once at the beginning of the list. The figure number is followed by a dash and the indexed number. The remaining index numbers are preceded by dash only.
- b. The part number column identifies the item by part number.
- c. In the description column, relationship of items covered is shown by the degree of indention of each item, for example: The wing assembly (Figure 3) is listed in column (1) of the description column. The wing structure, is the next lower assembly and is therefore listed in column (2).
- d. If two or more assemblies contain a majority of identical parts or the assemblies are left or right hand, the assemblies are listed together and the next lower assemblies or detail parts are listed as common for both assemblies, with the differing parts coded for usage on the correct major assembly.

- e. Attaching parts are listed immediately beneath the item to be attached and preceding any detail parts of the item. They are listed in the same column as the item they attach and are preceded by the caption "Attaching Parts." The end of the attaching parts listing is followed by a separating symbol ----*----
- f. The quantity listed in the "Units Per Assembly" column for attaching parts denotes the quantity necessary to attach only one part. Total quantity necessary to attach more than one part is obtained by multiplying the attaching parts quantity by the number of parts attached.
- g. Component parts of the complete airplane which are not included in any assembly, but which are used in conjunction with, or attach to certain assemblies, are listed either preceding the first detail or following the last detail of the assembly or installation, and in the same column as the major assembly or installation.
- h. The quantities listed in the "Units Per Assembly" column are the quantity used per figure.

ACCESSORY KITS.

For accessory kit listings, refer to separate Accessory Kit Catalog.

BULK ITEMS.

Certain items such as flexible air hose, rubber mouldings and channels, windshield sealing strips etc., are noted in the catalog listings as bulk items. These listings also note the cut length of these materials for one installation. When an item is listed as a bulk item, it will be supplied to the dealer in the most convenient bulk length or quantity. Reference to the cut length or quantity per installation provides for the most satisfactory disbursement to the customer.

HOW TO ORDER.

USE YOUR CATALOG TO ORDER PARTS. Use parts and Accessories Order Form, which will be supplied by Cessna on request. Give complete information on addresses and make sure the part number and part name are as shown in the catalog. Be sure to specify quantities. Specify how the order is to be shipped, otherwise it will be sent out in the manner that seems best to the shipper.

SERIAL, COLOR, & CORROSION PROOFING.

Be sure to indicate model and serial number of the airplane. Serial number is very important to properly identify parts used on each airplane. When color is involved refer to "Upholstery & Interior Trim" section for example. If corrosion proofing is desired add the letters "CP" following the part number.

DISTRIBUTOR ORDERS.

Distributors will send all orders to the factory with instructions as to the shipping destination. The factory prefers not to make C. O. D. shipments for the distributor and all billing will be made to the distributor in the case of direct shipments.

DEALER ORDERS.

Dealers will place all of their parts order requirements with their distributor. The factory will not honor orders received directly from a dealer. It will be necessary for us to forward it to the distributor for his action. Therefore, dealer orders sent direct to the distributor will result in much faster delivery on any parts that are required.

RETAIL ORDERS.

Retail orders will not be honored by the factory. They are to be placed with the dealer or distributor in the owner's territory and when received directly by the factory will be forwarded to the distributor from whose territory it was received. Considerable saving in time will result to the owner if his orders are placed with his dealer or distributor.



Cessna Aircraft Company reserves the right to cancel, add or change the parts and assemblies described in this catalog without notice.



"All aircraft, regardless of manufacturer, are certificated under model number designations. However, popular names are often used for marketing purposes. To provide a consistent method of referring to the various aircraft, model numbers will be used in this publication unless names are required to differentiate between versions of the same basic model. The following table provides a cross reference listing of popular name vs. model numbers." (For Argentine manufactured aircraft refer to page ii-b.)

NAME	MODEL YEAR	MODEL	SERIALS	
			BEGINNING	ENDING
150 150 TRAINER 150 COMMUTER 150 COMMUTER II	1970	150K	15071129	15072003
	1971	150L	15072004	15072628
	1972	150L	15072629	15073658
	1973	150L	15073659	15074850
	1974	150L	15074851	15075781
	1975	150M	15075782	15077005
150 COMMUTER 150 COMMUTER II	1976	150M	15077006	15078505
	1977	150M	15078506	
150 AEROBAT	1970	A150K	A1500001	A1500226
	1971	A150L	A1500227	A1500276
	1972	A150L	A1500277	A1500342
	1973	A150L	A1500343	A1500429
	1974	A150L	A1500430	A1500523
	1975	A150M	A1500524	A1500609
	1976	A150M	A1500610	A1500684
	1977	A150M	A1500685	
REIMS/CESSNA F150 F150 COMMUTER	1970	F150K	F15000530	F15000658
	1971	F150L	F15000659	F15000738
	1972	F150L	F15000739	F15000863
	1973	F150L	F15000864	F15001013
	1974	F150L	F15001014	F15001143
	1975	F150M	F15001144	F15001248
	1976	F150M	F15001249	F15001338
	1977	F150M	F15001339	
REIMS/CESSNA F150 AEROBAT	1970	FA150K	FA1500001	FA1500081
	1971	FA150L	FA1500082	FA1500121
	1972	FA150L	FA1500122	FA1500166
	1973	FA150L	FA1500167	FA1500211
	1974	FA150L	FA1500212	FA1500261
	1975	FA150M	FA1500262	FA1500281
	1976	FA150M	FA1500282	FA1500311
	1977	FA150M	FA1500312	

NOTE

Cessna assigned serials are used throughout this manual. Coverage in this manual, for Argentine manufactured aircraft, is determined by cross-referencing the Argentine assigned serials to the Cessna assigned serials shown in the chart below.

POPULAR NAME	MODEL YEAR	MODEL	SERIALS	
			BEGINNING	ENDING
AMC 150 STANDARD	1972	A150L	* A-1501001 ** 15073428	*A-1501018 **15073655
	1973	A150L	*A-1501019 **15074067	*A-1501039 **15074840
AMC 150 AEROBAT	1972	A-A150L	*A-A1500001 **A1500333 **A1500337	*A-A1500006 **A1500335 **A1500339
	1973	A-A150L	*A-A1500007 **A-1500366	*A-A1500009 **A1500377

*ARGENTINE ASSIGNED SERIALS

**CESSNA ASSIGNED SERIALS

FINISH & TRIM PLATE

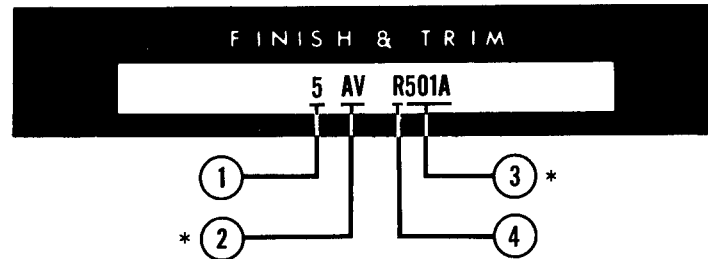
The "FINISH AND TRIM" plate is located on the seat pan next to the outboard left hand seat rail.

This plate indicates model year, interior color scheme and the exterior color combination.

Interpretation of information stamped on the Finish and Trim Plate is obtained by use of the Color Code Chart for the respective year.

Color Code Charts for yearly models appear on pages immediately following this page.

The Finish and Trim Plate is explained below. Explanatory remarks are keyed to the illustrated example.



- ① First column number indicates year.
- ② Second column letter or letters indicate interior color code of aircraft. Refer to Color Code Chart for respective year to obtain color.
- ③ Third column number or numbers indicate exterior trim. The basic number is found on the Color Code Chart and indicates colors and type paint used on the aircraft.
- ④ Standardized arctic color reversal is designated by the prefix "R" on the exterior color combination code for 1975 models and on.

* The special exterior and/or interior is denoted by the letters "SP" in lieu of the standard codes.

Interpretation of the example Finish and Trim Code 5-AV-R501A that is obtained from 1975 Color Code Chart is:

5 = 1975 model year
 AV = Chestnut Brown Interior Scheme
 501A = Vestal White & Flag Red exterior
 R501A = Vestal White & Flag Red exterior (color reversal)

MODEL 150 & A150			PAINT CODE CHART				MODEL 150 & A150				
YEAR	INTERIOR COLOR		INTERIOR PAINT			SERIAL LISTING	EXTERIOR PAINT				
	CODE	COLOR	AP	AC	BP		CODE	COLOR COMBINATIONS			
1970	AP	Clove Brown Perforated Vinyl	BLACK SEMI-GLOSS (LACQUER) CES1054-156	BLACK SEMI-GLOSS (LACQUER) CES1054-156	BLACK SEMI-GLOSS (LACQUER) CES1054-156	15071129 THRU 15072003 A1500001 THRU A1500226 F15000530 THRU F15000658 FA1500001 THRU FA1500081	701 VESTAL WHITE	PROVINCIAL RED MET			
			7201 CES1054-802 (ACRYLIC)	CES1054-963 (ACRYLIC)	720 CES1054-398*		CES1054-998*				
	AC	Clove Brown & Cloud Gray Vinyl	DULL BLACK (LACQUER) CES1054-193	DULL BLACK (LACQUER) CES1054-193	DULL BLACK (LACQUER) CES1054-193		702 VESTAL WHITE	BLACK CHERRY MET			
			7202 CES1054-802 (ACRYLIC)	CES1054-964 (ACRYLIC)	721 CES1054-398*		CES1054-999*				
	BP	Silver Teal Blue Perforated Vinyl	CLOUD GRAY (VINYL) CES1054-531	CLOUD GRAY (VINYL) CES1054-531	CLOUD GRAY (LACQUER) CES1054-531		703 VESTAL WHITE	VALOR RED			
			7203 CES1054-802 (ACRYLIC)	CES1054-906 (ACRYLIC)	722 CES1054-398*		CES1054-409*				
			CLOUD GRAY (VINYL) CES1054-533	CLOUD GRAY (VINYL) CES1054-533	CLOUD GRAY (VINYL) CES1054-533		704 VESTAL WHITE	ITALIAN GOLD			
			2704 CES1054-802 (ACRYLIC)	CES1054-834 (ACRYLIC)	723 CES1054-398*		CES1054-265*				
	BC	Silver Teal Blue & Cloud Gray Vinyl	BLACK SEMI-GLOSS (LACQUER) CES1054-156	BLACK SEMI-GLOSS (LACQUER) CES1054-156	BLACK SEMI-GLOSS (LACQUER) CES1054-156		705 VESTAL WHITE	OLIVE			
			709 CES1054-802 (ACRYLIC)	CES1054-807 (ACRYLIC)	724 CES1054-398*		CES1054-404*				
	MP	Marigold Perforated Vinyl	DULL BLACK (LACQUER) CES1054-193	DULL BLACK (LACQUER) CES1054-193	DULL BLACK (LACQUER) CES1054-193		706 VESTAL WHITE	GLENWOOD GREEN MET			
			706 CES1054-802 (ACRYLIC)	CES1054-768 (ACRYLIC)	725 CES1054-398*		CES1054-850*				
	MV	Marigold Vinyl	CLOUD GRAY (VINYL) CES1054-533	CLOUD GRAY (VINYL) CES1054-533	CLOUD GRAY (VINYL) CES1054-533		707 VESTAL WHITE	BLUE WING METALLIC			
			707 CES1054-802 (ACRYLIC)	CES1054-968 (ACRYLIC)	726 CES1054-398*		CES1054-A05*				
	MC	Marigold & Cloud Gray Vinyl	BLACK SEMI-GLOSS (LACQUER) CES1054-156	BLACK SEMI-GLOSS (LACQUER) CES1054-156	BLACK SEMI-GLOSS (LACQUER) CES1054-156		708 VESTAL WHITE	VENICE BLUE MET			
			708 CES1054-802 (ACRYLIC)	CES1054-833 (ACRYLIC)	727 CES1054-398*		CES1054-572*				
CP	Light Olive Perforated Vinyl	DULL BLACK (LACQUER) CES1054-193	DULL BLACK (LACQUER) CES1054-193	DULL BLACK (LACQUER) CES1054-193	709 VESTAL WHITE	VELVET BLACK					
		709 CES1054-802 (ACRYLIC)	CES1054-151*	728 CES1054-398*							
CC	Light Olive & Cloud Gray Vinyl	CLOUD GRAY (VINYL) CES1054-533	CLOUD GRAY (VINYL) CES1054-533	CLOUD GRAY (VINYL) CES1054-533	710 VESTAL WHITE	TIGER YELLOW					
		710 CES1054-802 (ACRYLIC)	CES1054-966 (ACRYLIC)	729 CES1054-398*	CES1054-A03*						
					4701 LUSTER WHITE	PROVINCIAL RED MET					
					4720 CES1054-967 (ACRYLIC)	CES1054-968 (ACRYLIC)	4702 LUSTER WHITE	BLACK CHERRY MET			
					4721 CES1054-A10*	CES1054-999*	4721 CES1054-A10*	CES1054-999*			
					4703 LUSTER WHITE	VALOR RED	4722 CES1054-907 (ACRYLIC)	VALOR RED			
					4722 CES1054-A10*	CES1054-409*	4722 CES1054-A10*	CES1054-409*			
					4704 LUSTER WHITE	ITALIAN GOLD	4723 CES1054-967 (ACRYLIC)	ITALIAN GOLD			
					4723 CES1054-A10*	CES1054-265*	4723 CES1054-A10*	CES1054-265*			
					4705 LUSTER WHITE	OLIVE	4724 CES1054-967 (ACRYLIC)	OLIVE			
					4724 CES1054-A10*	CES1054-A04*	4724 CES1054-A10*	CES1054-A04*			
					4706 LUSTER WHITE	GLENWOOD GREEN MET	4725 CES1054-967 (ACRYLIC)	GLENWOOD GREEN MET			
					4725 CES1054-A10*	CES1054-768 (ACRYLIC)	4725 CES1054-A10*	CES1054-768 (ACRYLIC)			
					4707 LUSTER WHITE	BLUE WING METALLIC	4726 CES1054-967 (ACRYLIC)	BLUE WING METALLIC			
					4726 CES1054-A10*	CES1054-A05*	4726 CES1054-A10*	CES1054-A05*			
					4708 LUSTER WHITE	VENICE BLUE MET	4727 CES1054-967 (ACRYLIC)	VENICE BLUE MET			
					4727 CES1054-A10*	CES1054-572*	4727 CES1054-A10*	CES1054-572*			
					4709 LUSTER WHITE	VELVET BLACK	4728 CES1054-967 (ACRYLIC)	VELVET BLACK			
					4728 CES1054-A10*	CES1054-151*	4728 CES1054-A10*	CES1054-151*			
					4710 LUSTER WHITE	TIGER YELLOW	4729 CES1054-967 (ACRYLIC)	TIGER YELLOW			
					4729 CES1054-A10*	CES1054-A03*	4729 CES1054-A10*	CES1054-A03*			
					272A VESTAL WHITE	TROPICAL ORANGE					
					CES1054-802 (ACRYLIC)	CES1054-849*	CES1054-802 (ACRYLIC)	GLENWOOD GREEN MET			
					CES1054-398*		CES1054-802 (ACRYLIC)	CES1054-850*			

NOTE: WHEN ORDERING PAINT SPECIFY CES1054 DASH NUMBER. EXAMPLE: CES1054-156 *Lacquer paint, used on French Aircraft only.

MODEL 150 & A150			PAINT CODE CHART			MODEL 150 & A150				
YEAR	INTERIOR COLOR		INTERIOR PAINT			SERIAL LISTING	EXTERIOR PAINT			
	CODE	CODE	AP	INTERIOR COLOR CODE			CODE	COLOR COMBINATIONS		
1971	AP	Clove Brown Perforated Vinyl	BLACK SEMI-GLOSS (LACQUER) CES1054-156	BLACK SEMI-GLOSS (LACQUER) CES1054-156	BLACK SEMI-GLOSS (LACQUER) CES1054-156	15072004 THRU 15072628 A1500227 THRU A1500276 F15000659 THRU F15000738 FA1500082 THRU FA1500121	101 VESTAL WHITE	VALOR RED		
			DULL BLACK (LACQUER) CES1054-193	DULL BLACK (LACQUER) CES1054-193	DULL BLACK (LACQUER) CES1054-193		V101 CES1054-802 (ACRYLIC)	CES1054-806 (ACRYLIC)		
			CLOUD GRAY (LACQUER) CES1054-531	CLOUD GRAY (LACQUER) CES1054-531	CLOUD GRAY (LACQUER) CES1054-531		102 VESTAL WHITE	DUBONNET		
	AC	Clove Brown Perforated Vinyl Cloud Gray Inserts	CLOUD GRAY (VINYL) CES1054-533	CLOUD GRAY (VINYL) CES1054-533	CLOUD GRAY (VINYL) CES1054-533		V102 CES1054-802 (ACRYLIC)	CES1054-A18 (ACRYLIC)		
			INTERIOR PAINT				103 VESTAL WHITE	GOLDENROD		
			BC	CP	CC		V103 CES1054-802 (ACRYLIC)	CES1054-803 (ACRYLIC)		
	BC	Holiday Blue Perforated Vinyl Cloud Gray Inserts	BLACK SEMI-GLOSS (LACQUER) CES1054-156	BLACK SEMI-GLOSS (LACQUER) CES1054-156	BLACK SEMI-GLOSS (LACQUER) CES1054-156		104 VESTAL WHITE	COLONIAL BLUE MET		
			DULL BLACK (LACQUER) CES1054-193	DULL BLACK (LACQUER) CES1054-193	DULL BLACK (LACQUER) CES1054-193		V104 CES1054-802 (ACRYLIC)	CES1054-A21 (ACRYLIC)		
			CLOUD GRAY (LACQUER) CES1054-531	CLOUD GRAY (LACQUER) CES1054-531	CLOUD GRAY (LACQUER) CES1054-531		105 VESTAL WHITE	OLIVE		
	CP	Picnic Green Perforated Vinyl	CLOUD GRAY (VINYL) CES1054-533	CLOUD GRAY (VINYL) CES1054-533	CLOUD GRAY (VINYL) CES1054-533		V105 CES1054-802 (ACRYLIC)	CES1054-944 (ACRYLIC)		
			INTERIOR PAINT				106 VESTAL WHITE	VELVET BLACK		
			BC	CP	CC		V106 CES1054-802 (ACRYLIC)	CES1054-807 (ACRYLIC)		
CC	Picnic Green Perforated Vinyl Cloud Gray Inserts	BLACK SEMI-GLOSS (LACQUER) CES1054-156	BLACK SEMI-GLOSS (LACQUER) CES1054-156	BLACK SEMI-GLOSS (LACQUER) CES1054-156	1101 LUSTER WHITE	VALOR RED				
		DULL BLACK (LACQUER) CES1054-193	DULL BLACK (LACQUER) CES1054-193	DULL BLACK (LACQUER) CES1054-193	V1101 CES1054-967 (ACRYLIC)	CES1054-806 (ACRYLIC)				
		CLOUD GRAY (LACQUER) CES1054-531	CLOUD GRAY (LACQUER) CES1054-531	CLOUD GRAY (LACQUER) CES1054-531	1102 LUSTER WHITE	DUBONNET				
CV	Picnic Green Perforated Vinyl White & Black Inserts	CLOUD GRAY (VINYL) CES1054-533	CLOUD GRAY (VINYL) CES1054-533	CLOUD GRAY (VINYL) CES1054-533	V1102 CES1054-967 (ACRYLIC)	CES1054-A18 (ACRYLIC)				
		INTERIOR PAINT			1103 LUSTER WHITE	GOLDENROD				
		CV	DP	DC	V1103 CES1054-967 (ACRYLIC)	CES1054-803 (ACRYLIC)				
DP	Fiesta Red Perforated Vinyl	BLACK SEMI-GLOSS (LACQUER) CES1054-156	BLACK SEMI-GLOSS (LACQUER) CES1054-156	BLACK SEMI-GLOSS (LACQUER) CES1054-156	1104 LUSTER WHITE	COLONIAL BLUE MET				
		DULL BLACK (LACQUER) CES1054-193	DULL BLACK (LACQUER) CES1054-193	DULL BLACK (LACQUER) CES1054-193	V1104 CES1054-967 (ACRYLIC)	CES1054-A21 (ACRYLIC)				
		CLOUD GRAY (LACQUER) CES1054-531	CLOUD GRAY (LACQUER) CES1054-531	CLOUD GRAY (LACQUER) CES1054-531	1105 LUSTER WHITE	OLIVE				
DC	Fiesta Red Perforated Vinyl Cloud Gray Inserts	CLOUD GRAY (VINYL) CES1054-533	CLOUD GRAY (VINYL) CES1054-533	CLOUD GRAY (VINYL) CES1054-533	V1105 CES1054-967 (ACRYLIC)	CES1054-944 (ACRYLIC)				
		INTERIOR PAINT			1106 LUSTER WHITE	VELVET BLACK				
		CV	DP	DC	V1106 CES1054-967 (ACRYLIC)	CES1054-807 (ACRYLIC)				
						*V111 VESTAL WHITE	VALOR RED			
						*V112 VESTAL WHITE	GOLDENROD			
						*V113 VESTAL WHITE	COLONIAL BLUE MET			
						*V114 VESTAL WHITE	SAN REMO TURQUOISE			
						*V115 VESTAL WHITE	DRACO GREEN MET			
						121V VESTAL WHITE	VALOR RED			
						122V VESTAL WHITE	DUBONNET			
						123V VESTAL WHITE	GOLDENROD			
						124V VESTAL WHITE	COLONIAL BLUE MET			
						125V VESTAL WHITE	OLIVE			
						126V VESTAL WHITE	VELVET BLACK			
						121L LUSTER WHITE	VALOR RED			
						122L LUSTER WHITE	DUBONNET			
						123L LUSTER WHITE	GOLDENROD			
						124L LUSTER WHITE	COLONIAL BLUE MET			
						125L LUSTER WHITE	OLIVE			
						126L LUSTER WHITE	VELVET BLACK			
						181 VESTAL WHITE	CARNIVAL YELLOW	DRACO GREEN MET		
						CES1054-802 (ACRYLIC)	CES1054-A15 (ACRYLIC)	CES1054-A23 (ACRYLIC)		
						CES1054-398*	CES1054-A34*	CES1054-A36*		

NOTE: WHEN ORDERING PAINT SPECIFY CES1054 DASH NUMBER. EXAMPLE: CES1054-156

*Lacquer paint, used on French Aircraft only.

MODEL 150 & A150		PAINT CODE CHART				MODEL 150 & A150								
YEAR	INTERIOR COLOR		INTERIOR PAINT				SERIAL LISTING	EXTERIOR PAINT						
	CODE	COLOR	AA	AV	BA	BB		CODE	COLOR COMBINATIONS					
1 9 7 2	AA	JAVA GOLD VINYL	BLACK SEMI-GLOSS (LACQUER) CES1054-156	BLACK SEMI-GLOSS (LACQUER) CES1054-156	BLACK SEMI-GLOSS (LACQUER) CES1054-156	BLACK SEMI-GLOSS (LACQUER) CES1054-156	15072629 THRU 15073658 A1500277 THRU A1500342 F15000739 THRU F15000863 FA1500122 THRU FA1500166	201	VESTAL WHITE CES1054-802 (ACRYLIC) CES1054-398*	VALOR RED CES1054-806 (ACRYLIC) CES1054-409*				
	AV	JAVA GOLD VINYL WITH CLOUD GREY INSERTS	DULL BLACK (LACQUER) CES1054-193	DULL BLACK (LACQUER) CES1054-193	DULL BLACK (LACQUER) CES1054-193	DULL BLACK (LACQUER) CES1054-193		A201V	202	VESTAL WHITE CES1054-802 (ACRYLIC) CES1054-398*	PROVINCIAL RED CES1054-963 (ACRYLIC)			
	BA	BOGOTA BLUE VINYL WITH BLACK & WHITE INSERTS	CLOUD GRAY (LACQUER) CES1054-531	CLOUD GRAY (LACQUER) CES1054-531	CLOUD GRAY (LACQUER) CES1054-531	CLOUD GRAY (LACQUER) CES1054-531		203	VESTAL WHITE CES1054-802 (ACRYLIC) CES1054-398*	EMPRESS BLUE CES1054-832 (ACRYLIC) CES1054-899*				
	BB	BOGOTA BLUE VINYL	CLOUD GRAY (VINYL) CES1054-533	CLOUD GRAY (VINYL) CES1054-533	CLOUD GRAY (VINYL) CES1054-533	CLOUD GRAY (VINYL) CES1054-533		A203V	204	VESTAL WHITE CES1054-802 (ACRYLIC) CES1054-398*	CONTRALTO BLUE CES1054-832 (ACRYLIC) CES1054-A56*			
	BV	BOGOTA BLUE VINYL WITH CLOUD GREY INSERTS	INTERIOR PAINT						A204V	205	VESTAL WHITE CES1054-802 (ACRYLIC) CES1054-398*	TIGER YELLOW CES1054-966 (ACRYLIC) CES1054-A03*		
	CA	PICNIC GREEN VINYL WITH BLACK & WHITE INSERTS	BLACK SEMI-GLOSS (LACQUER) CES1054-156	BLACK SEMI-GLOSS (LACQUER) CES1054-156	BLACK SEMI-GLOSS (LACQUER) CES1054-156	BLACK SEMI-GLOSS (LACQUER) CES1054-156		A205V	206	VESTAL WHITE CES1054-802 (ACRYLIC) CES1054-398*	OLIVE CES1054-944 (ACRYLIC) CES1054-A04*			
	CC	CYPRUS GREEN VINYL	DULL BLACK (LACQUER) CES1054-193	DULL BLACK (LACQUER) CES1054-193	DULL BLACK (LACQUER) CES1054-193	DULL BLACK (LACQUER) CES1054-193		207V	208V	VESTAL WHITE CES1054-802 (ACRYLIC)	VALOR RED CES1054-806 (ACRYLIC)	PROVINCIAL RED MET CES1054-963 (ACRYLIC)		
	CV	CYPRUS GREEN VINYL WITH CLOUD GREY INSERTS	CLOUD GRAY (LACQUER) CES1054-531	CLOUD GRAY (LACQUER) CES1054-531	CLOUD GRAY (LACQUER) CES1054-531	CLOUD GRAY (LACQUER) CES1054-531		A206V	209V	VESTAL WHITE CES1054-802 (ACRYLIC)	CARNIVAL YELLOW CES1054-A15 (ACRYLIC)			
	DD	TAHITIAN RED VINYL	INTERIOR PAINT						210V	211V	VESTAL WHITE CES1054-802 (ACRYLIC)	TROPICAL ORANGE CES1054-774 (ACRYLIC)		
	DV	TAHITIAN RED VINYL WITH CLOUD GREY INSERTS	BLACK SEMI-GLOSS (LACQUER) CES1054-156	BLACK SEMI-GLOSS (LACQUER) CES1054-156				212V	213V	VESTAL WHITE CES1054-802 (ACRYLIC)	EMPRESS BLUE CES1054-832 (ACRYLIC)	OLIVE CES1054-944 (ACRYLIC)		
			DULL BLACK (LACQUER) CES1054-193	DULL BLACK (LACQUER) CES1054-193				239V		VESTAL WHITE CES1054-398*	VALOR RED CES1054-409*	DRACO GREEN MET CES1054-A36*		
			CLOUD GRAY (LACQUER) CES1054-531	CLOUD GRAY (LACQUER) CES1054-531										
			CLOUD GRAY (VINYL) CES1054-533	CLOUD GRAY (VINYL) CES1054-533										

NOTE: WHEN ORDERING PAINT SPECIFY CES1054 DASH NUMBER. EXAMPLE: CES1054-156 *Lacquer paint, used on French Aircraft only.

MODEL 150 & A150			PAINT CODE CHART				MODEL 150 & A150					
YEAR	INTERIOR COLOR		INTERIOR PAINT				SERIAL LISTING	EXTERIOR PAINT				
	CODE	COLOR	INTERIOR COLOR CODE					CODE	COLOR COMBINATIONS			
			AC AC3	AV AV3	BA	BC BC3						
1 9 7 3	AC	CANYON TAN VINYL WITH CLOUD GRAY INSERTS	BLACK SEMI-GLOSS (LACQUER) CES1054-156	BLACK SEMI-GLOSS (LACQUER) CES1054-156	BLACK SEMI-GLOSS (LACQUER) CES1054-156	BLACK SEMI-GLOSS (LACQUER) CES1054-156	15073659 THRU 15074850 F15000864 THRU F15001013 A1500343 THRU A1500429 FA1500167 THRU FA1500211	301	VESTAL WHITE	CRANBERRY		
		301A	CESI054-802 (ACRYLIC) CESI054-398*	CESI054-875 (ACRYLIC) CESI054-881*								
	AC3	JAVA GOLD VINYL WITH CLOUD GRAY INSERTS	DULL BLACK (LACQUER) CESI054-193	DULL BLACK (LACQUER) CESI054-193	DULL BLACK (LACQUER) CESI054-193	DULL BLACK (LACQUER) CESI054-193		302	VESTAL WHITE	FLAG RED		
		302A	CESI054-802 (ACRYLIC) CESI054-398*	CESI054-A93 (ACRYLIC) CESI054-B03*								
	AV	CANYON TAN VINYL	CLOUD GRAY (LACQUER) CESI054-531	CLOUD GRAY (LACQUER) CESI054-531	CLOUD GRAY (LACQUER) CESI054-531	CLOUD GRAY (LACQUER) CESI054-531		303	VESTAL WHITE	TROPICAL ORANGE		
		303A	CESI054-802 (ACRYLIC) CESI054-398*	CESI054-774 (ACRYLIC) CESI054-848*								
	AV3	JAVA GOLD VINYL	CLOUD GRAY (LACQUER) CESI054-531	CLOUD GRAY (LACQUER) CESI054-531	CLOUD GRAY (LACQUER) CESI054-531	CLOUD GRAY (LACQUER) CESI054-531		304	VESTAL WHITE	CONTRALTO BLUE		
		304A	CESI054-802 (ACRYLIC) CESI054-398*	CESI054-A63 (ACRYLIC) CESI054-A56*								
	BA	BOGOTA BLUE & CLOUD GRAY VINYL	CLOUD GRAY (VINYL) CESI054-533	CLOUD GRAY (VINYL) CESI054-533	CLOUD GRAY (VINYL) CESI054-533	CLOUD GRAY (VINYL) CESI054-533		305	VESTAL WHITE	EMPRESS BLUE		
		305A	CESI054-802 (ACRYLIC) CESI054-398*	CESI054-832 (ACRYLIC) CESI054-899*								
	BC	ROYAL BLUE VINYL WITH CLOUD GRAY INSERTS	INTERIOR PAINT					F1500167 THRU FA1500211	306	VESTAL WHITE	GRANADA GREEN	
		306A	CESI054-802 (ACRYLIC) CESI054-398*	CESI054-A97 (ACRYLIC) CESI054-B04*								
	BC3	PEACOCK BLUE VINYL WITH CLOUD GRAY INSERTS	INTERIOR COLOR CODE						307	VESTAL WHITE	FLAG RED	
		307	CESI054-802 (ACRYLIC) CESI054-398*	CESI054-A93 (ACRYLIC)								
	BV	ROYAL BLUE VINYL	BV BV3	DC DC3	DV DV3	GC GC3			308	VESTAL WHITE	TIGER YELLOW	
		308	CESI054-802 (ACRYLIC) CESI054-398*	CESI054-966 (ACRYLIC)								
	BV3	PEACOCK BLUE VINYL	BLACK SEMI-GLOSS (LACQUER) CESI054-156	BLACK SEMI-GLOSS (LACQUER) CESI054-156	BLACK SEMI-GLOSS (LACQUER) CESI054-156	BLACK SEMI-GLOSS (LACQUER) CESI054-156			309	VESTAL WHITE	CONTRALTO BLUE	
		309	CESI054-802 (ACRYLIC) CESI054-398*	CESI054-A63 (ACRYLIC) CESI054-A56*								
	CV3	GOLDEN OLIVE VINYL	DULL BLACK (LACQUER) CESI054-193	DULL BLACK (LACQUER) CESI054-193	DULL BLACK (LACQUER) CESI054-193	DULL BLACK (LACQUER) CESI054-193			310	VESTAL WHITE	SHOAL TURQUOISE	
		310	CESI054-802 (ACRYLIC) CESI054-398*	CESI054-804 (ACRYLIC)								
DC	DRAGON RED VINYL WITH CLOUD GRAY INSERTS	CLOUD GRAY (LACQUER) CESI054-531	CLOUD GRAY (LACQUER) CESI054-531	CLOUD GRAY (LACQUER) CESI054-531	CLOUD GRAY (LACQUER) CESI054-531	311	VESTAL WHITE		GRANADA GREEN			
	311	CESI054-802 (ACRYLIC) CESI054-398*	CESI054-A97 (ACRYLIC)									
DC3	POPPY RED VINYL WITH CLOUD GRAY INSERTS	CLOUD GRAY (VINYL) CESI054-533	CLOUD GRAY (VINYL) CESI054-533	CLOUD GRAY (VINYL) CESI054-533	CLOUD GRAY (VINYL) CESI054-533	312	VESTAL WHITE		NUTMEG			
	312	CESI054-802 (ACRYLIC) CESI054-398*	CESI054-A95 (ACRYLIC)									
DV	DRAGON RED VINYL	INTERIOR PAINT				313	VESTAL WHITE		TROPICAL ORANGE	CONTRALTO BLUE		
	313	CESI054-802 (ACRYLIC) CESI054-398*	CESI054-774 (ACRYLIC) CESI054-848*			CESI054-A63 (ACRYLIC) CESI054-A56*						
DV3	POPPY RED VINYL	INTERIOR COLOR CODE				314	VESTAL WHITE		FLAG RED	CONTRALTO BLUE		
	314	CESI054-802 (ACRYLIC) CESI054-398*	CESI054-A93 (ACRYLIC) CESI054-B03*			CESI054-A63 (ACRYLIC) CESI054-A56*						
GC	VELDT GOLD VINYL WITH CLOUD GRAY INSERTS	GV CV3										
	315	CESI054-802 (ACRYLIC) CESI054-398*										
GC3	GOLDEN OLIVE VINYL WITH CLOUD GRAY INSERTS	BLACK SEMI-GLOSS (LACQUER) CESI054-156										
	316	CESI054-802 (ACRYLIC) CESI054-398*										
GV	VELDT GOLD VINYL	DULL BLACK (LACQUER) CESI054-193										
	317	CESI054-802 (ACRYLIC) CESI054-398*										
		CLOUD GRAY (LACQUER) CESI054-531										
		CLOUD GRAY (VINYL) CESI054-533										

NOTE: WHEN ORDERING PAINT SPECIFY CES1054 DASH NUMBER. EXAMPLE: CES1054-156

*Lacquer paint, used on French Aircraft only.

MODEL 150 & A150

PAINT CODE CHART

MODEL 150 & A150

YEAR	INTERIOR COLOR		INTERIOR PAINT				SERIAL LISTING	EXTERIOR PAINT		
	CODE	COLOR	INTERIOR COLOR CODE					CODE	COLOR COMBINATIONS	
			AC	AV	BC	BV				
1974	AC	CHESTNUT BROWN VINYL WITH CLOUD GRAY INSERTS	BLACK SEMI-GLOSS (LACQUER) CES1054-156	BLACK SEMI-GLOSS (LACQUER) CES1054-156	BLACK SEMI-GLOSS (LACQUER) CES1054-156	BLACK SEMI-GLOSS (LACQUER) CES1054-156	407	FLAG RED CES1054-A93 (ACRYLIC) CES1054-B03*	MAPLE MAROON CES1054-B44 (ACRYLIC) CES1054-B51*	
			DULL BLACK (LACQUER) CES1054-193	DULL BLACK (LACQUER) CES1054-193	DULL BLACK (LACQUER) CES1054-193	DULL BLACK (LACQUER) CES1054-531	407A	VESTAL WHITE CES1054-802 (ACRYLIC) CES1054-398*	FLAG RED CES1054-A93 (ACRYLIC) CES1054-B03*	MAPLE MAROON CES1054-B44 (ACRYLIC) CES1054-B51*
	AV	CHESTNUT BROWN VINYL	CLOUD GRAY (LACQUER) CES1054-531	CLOUD GRAY (LACQUER) CES1054-531	CLOUD GRAY (LACQUER) CES1054-531	CLOUD GRAY (LACQUER) CES1054-531	408	MAPLE MAROON CES1054-B44 (ACRYLIC) CES1054-B51*	FLAG RED CES1054-A93 (ACRYLIC) CES1054-B03*	
			CLOUD GRAY (VINYL) CES1054-533	CLOUD GRAY (VINYL) CES1054-533	CLOUD GRAY (VINYL) CES1054-533	CLOUD GRAY (VINYL) CES1054-533	408A	VESTAL WHITE CES1054-802 (ACRYLIC) CES1054-398*	MAPLE MAROON CES1054-B44 (ACRYLIC) CES1054-B51*	FLAG RED CES1054-A93 (ACRYLIC) CES1054-B03*
	BC	COPEN BLUE WITH CLOUD GRAY INSERTS	CHESTNUT BROWN (LACQUER) CES1054-B41	CHESTNUT BROWN (LACQUER) CES1054-B41	COPEN BLUE (LACQUER) CES1054-B29	COPEN BLUE (LACQUER) CES1054-B29	409	TIGER YELLOW CES1054-966 (ACRYLIC) CES1054-A03*	PEPPER GREEN CES1054-B50 (ACRYLIC) CES1054-B56*	
			INTERIOR PAINT				409A	VESTAL WHITE CES1054-802 (ACRYLIC) CES1054-398*	TIGER YELLOW CES1054-966 (ACRYLIC) CES1054-A03*	PEPPER GREEN CES1054-B50 (ACRYLIC) CES1054-B56*
	BV	COPEN BLUE VINYL	INTERIOR PAINT				410		PEPPER GREEN CES1054-B50 (ACRYLIC) CES1054-B56*	TIGER YELLOW CES1054-A03*
			INTERIOR COLOR CODE				410A	VESTAL WHITE CES1054-802 (ACRYLIC) CES1054-398*	PEPPER GREEN CES1054-B50 (ACRYLIC) CES1054-B56*	TIGER YELLOW CES1054-966 (ACRYLIC) CES1054-A03*
	CC	OLIVE GREEN WITH CLOUD GRAY INSERTS	BLACK SEMI-GLOSS (LACQUER) CES1054-156	BLACK SEMI-GLOSS (LACQUER) CES1054-156	BLACK SEMI-GLOSS (LACQUER) CES1054-156	BLACK SEMI-GLOSS (LACQUER) CES1054-156	411	EMPRESS BLUE CES1054-832 (ACRYLIC) CES1054-899*	POLE BLUE CES1054-B47 (ACRYLIC) CES1054-B53*	
			DULL BLACK (LACQUER) CES1054-193	DULL BLACK (LACQUER) CES1054-193	DULL BLACK (LACQUER) CES1054-193	DULL BLACK (LACQUER) CES1054-193	411A	VESTAL WHITE CES1054-802 (ACRYLIC) CES1054-398*	EMPRESS BLUE CES1054-832 (ACRYLIC) CES1054-899*	POLE BLUE CES1054-B47 (ACRYLIC) CES1054-B53*
	CV	OLIVE GREEN VINYL	CLOUD GRAY (LACQUER) CES1054-531	CLOUD GRAY (LACQUER) CES1054-531	CLOUD GRAY (LACQUER) CES1054-531	CLOUD GRAY (LACQUER) CES1054-531	412		POLE BLUE CES1054-B47 (ACRYLIC) CES1054-B53*	
			CLOUD GRAY (VINYL) CES1054-533	CLOUD GRAY (VINYL) CES1054-533	CLOUD GRAY (VINYL) CES1054-533	CLOUD GRAY (VINYL) CES1054-533	412A	VESTAL WHITE CES1054-802 (ACRYLIC) CES1054-398*	POLE BLUE CES1054-B47 (ACRYLIC) CES1054-B53*	EMPRESS BLUE CES1054-832 (ACRYLIC) CES1054-899*
	DA	SUNSET RED & CLOUD GRAY VINYL	OLIVE GREEN (LACQUER) CES1054-B33	OLIVE GREEN (LACQUER) CES1054-B33	SUNSET RED (LACQUER) CES1054-B37	SUNSET RED (LACQUER) CES1054-B37	413	VESTAL WHITE CES1054-802 (ACRYLIC) CES1054-398*	FLAG RED CES1054-A93 (ACRYLIC) CES1054-B03*	MAPLE MAROON CES1054-B44 (ACRYLIC) CES1054-B51*
			INTERIOR PAINT				414	VESTAL WHITE CES1054-802 (ACRYLIC) CES1054-398*	MAPLE MAROON CES1054-B44 (ACRYLIC) CES1054-B51*	FLAG RED CES1054-A93 (ACRYLIC) CES1054-B03*
	DC	SUNSET RED WITH CLOUD GRAY INSERTS	INTERIOR COLOR CODE				415	VESTAL WHITE CES1054-802 (ACRYLIC) CES1054-398*	NUTMEG CES1054-B17*	PEPPER GREEN CES1054-B50 (ACRYLIC) CES1054-B56*
			INTERIOR COLOR CODE				416	VESTAL WHITE CES1054-802 (ACRYLIC) CES1054-398*	PEPPER GREEN CES1054-B50 (ACRYLIC) CES1054-B56*	NUTMEG CES1054-A95 (ACRYLIC) CES1054-B17*
	DV	SUNSET RED VINYL	BLACK SEMI-GLOSS (LACQUER) CES1054-156	BLACK SEMI-GLOSS (LACQUER) CES1054-156	BLACK SEMI-GLOSS (LACQUER) CES1054-156		417	VESTAL WHITE CES1054-802 (ACRYLIC) CES1054-398*	TIGER YELLOW CES1054-966 (ACRYLIC) CES1054-A03*	SUMMER GOLD CES1054-B48 (ACRYLIC) CES1054-B54*
			DULL BLACK (LACQUER) CES1054-193	DULL BLACK (LACQUER) CES1054-193	DULL BLACK (LACQUER) CES1054-193		418	VESTAL WHITE CES1054-802 (ACRYLIC) CES1054-398*	SUMMER GOLD CES1054-B48 (ACRYLIC) CES1054-B54*	TIGER YELLOW CES1054-966 (ACRYLIC) CES1054-A03*
	GC	OLD GOLD WITH CLOUD GRAY INSERTS	CLOUD GRAY (LACQUER) CES1054-531	CLOUD GRAY (LACQUER) CES1054-531	CLOUD GRAY (LACQUER) CES1054-531		419	VESTAL WHITE CES1054-802 (ACRYLIC) CES1054-398*	EMPRESS BLUE CES1054-832 (ACRYLIC) CES1054-899*	POLE BLUE CES1054-B47 (ACRYLIC) CES1054-B53*
			CLOUD GRAY (VINYL) CES1054-533	CLOUD GRAY (VINYL) CES1054-533	CLOUD GRAY (VINYL) CES1054-533		420	VESTAL WHITE CES1054-802 (ACRYLIC) CES1054-398*	POLE BLUE CES1054-B47 (ACRYLIC) CES1054-B53*	EMPRESS BLUE CES1054-832 (ACRYLIC) CES1054-899*
	GV	OLD GOLD VINYL	SUNSET RED (LACQUER) CES1054-B37	OLD GOLD (LACQUER) CES1054-B25	OLD GOLD (LACQUER) CES1054-B25		421	VESTAL WHITE CES1054-802 (ACRYLIC) CES1054-398*	FLAG RED CES1054-A93 (ACRYLIC) CES1054-B03*	POLE BLUE CES1054-B47 (ACRYLIC) CES1054-B53*

NOTE: WHEN ORDERING PAINT SPECIFY CES-1054 DASH NUMBER. EXAMPLE: CES1054-156

*Lacquer paint, used on French Aircraft only.

MODEL 150 & A150			PAINT CODE CHART				MODEL 150 & A150				
YEAR	INTERIOR COLOR		INTERIOR PAINT				SERIAL LISTING	EXTERIOR PAINT			
	CODE	COLOR	AC	AV	BC	BV		CODE	COLOR COMBINATIONS		
1 9 7 5	AC	CHESTNUT BROWN WITH PERFORATED INSERTS	BLACK SEMI-GLOSS (LACQUER) CES1054-156	BLACK SEMI-GLOSS (LACQUER) CES1054-156	BLACK SEMI-GLOSS (LACQUER) CES1054-156	BLACK SEMI-GLOSS (LACQUER) CES1054-156	15075782 THRU 15077005 F15001144 THRU F15001248 A1500524 THRU A1500609 FA1500262 THRU FA1500281	501		FLAG RED CES1054-A93 (ACRYLIC) CES1054-B03*	
			DULL BLACK (LACQUER) CES1054-193	DULL BLACK (LACQUER) CES1054-193	DULL BLACK (LACQUER) CES1054-193	DULL BLACK (LACQUER) CES1054-531		501A	VESTAL WHITE CES1054-398*	FLAG RED CES1054-A93 (ACRYLIC) CES1054-B03*	
	AV	CHESTNUT BROWN VINYL	CLOUD GRAY (LACQUER) CES1054-531	CLOUD GRAY (LACQUER) CES1054-531	CLOUD GRAY (LACQUER) CES1054-531	CLOUD GRAY (LACQUER) CES1054-531		502		SUMMER GOLD CES1054-B48 (ACRYLIC) CES1054-B54*	
			CLOUD GRAY (VINYL) CES1054-533	CLOUD GRAY (VINYL) CES1054-533	CLOUD GRAY (VINYL) CES1054-533	CLOUD GRAY (VINYL) CES1054-533		502A	VESTAL WHITE CES1054-802 (ACRYLIC) CES1054-398*	SUMMER GOLD CES1054-B48 (ACRYLIC) CES1054-B54*	
	BC	COPEN BLUE WITH PERFORATED INSERTS	CHESTNUT BROWN (LACQUER) CES1054-B41	CHESTNUT BROWN (LACQUER) CES1054-B41	COPEN BLUE (LACQUER) CES1054-B29	COPEN BLUE (LACQUER) CES1054-B29		503		TROPICAL ORANGE CES1054-774 (ACRYLIC) CES1054-849*	
			INTERIOR PAINT					503A	VESTAL WHITE CES1054-802 (ACRYLIC) CES1054-398*	TROPICAL ORANGE CES1054-774 (ACRYLIC) CES1054-849*	
	BV	COPEN BLUE VINYL	INTERIOR PAINT					504		EMPRESS BLUE CES1054-832 (ACRYLIC) CES1054-899*	
			INTERIOR COLOR CODE					504A	VESTAL WHITE CES1054-802 (ACRYLIC) CES1054-398*	EMPRESS BLUE CES1054-832 (ACRYLIC) CES1054-899*	
	CC	OLIVE GREEN WITH PERFORATED INSERTS	BLACK SEMI-GLOSS (LACQUER) CES1054-156	BLACK SEMI-GLOSS (LACQUER) CES1054-156	BLACK SEMI-GLOSS (LACQUER) CES1054-156	BLACK SEMI-GLOSS (LACQUER) CES1054-156		505		SATIN BLUE CES1054-B62 (ACRYLIC) CES1054-B66*	
			DULL BLACK (LACQUER) CES1054-193	DULL BLACK (LACQUER) CES1054-193	DULL BLACK (LACQUER) CES1054-193	DULL BLACK (LACQUER) CES1054-193		505A	VESTAL WHITE CES1054-802 (ACRYLIC) CES1054-398*	SATIN BLUE CES1054-B62 (ACRYLIC) CES1054-B66*	
	CV	OLIVE GREEN VINYL	CLOUD GRAY (LACQUER) CES1054-531	CLOUD GRAY (LACQUER) CES1054-531	CLOUD GRAY (LACQUER) CES1054-531	CLOUD GRAY (LACQUER) CES1054-531		506		SPRING GREEN CES1054-B64 (ACRYLIC) CES1054-B68*	
			CLOUD GRAY (VINYL) CES1054-533	CLOUD GRAY (VINYL) CES1054-533	CLOUD GRAY (VINYL) CES1054-533	CLOUD GRAY (VINYL) CES1054-533		506A	VESTAL WHITE CES1054-802 (ACRYLIC) CES1054-398*	SPRING GREEN CES1054-B64 (ACRYLIC) CES1054-B68*	
	DA	SUNSET RED & CLOUD GRAY VINYL	OLIVE GREEN (LACQUER) CES1054-B33	OLIVE GREEN (LACQUER) CES1054-B33	SUNSET RED (LACQUER) CES1054-B37	SUNSET RED (LACQUER) CES1054-B37		507	VESTAL WHITE CES1054-802 (ACRYLIC) CES1054-398*	FLAG RED CES1054-A93 (ACRYLIC) CES1054-B03*	
			INTERIOR PAINT					508	VESTAL WHITE CES1054-802 (ACRYLIC) CES1054-398*	TROPICAL ORANGE CES1054-774 (ACRYLIC) CES1054-849*	
	DC	SUNSET RED WITH PERFORATED INSERTS	INTERIOR COLOR CODE					509	VESTAL WHITE CES1054-802 (ACRYLIC) CES1054-398*	NUTMEG CES1054-A95 (ACRYLIC) CES1054-B17*	
			INTERIOR COLOR CODE					510	VESTAL WHITE CES1054-802 (ACRYLIC) CES1054-398*	CARNIVAL YELLOW CES1054-A15 (ACRYLIC) CES1054-A34*	
	DV	SUNSET RED VINYL	BLACK SEMI-GLOSS (LACQUER) CES1054-156	BLACK SEMI-GLOSS (LACQUER) CES1054-156	BLACK SEMI-GLOSS (LACQUER) CES1054-156			511	VESTAL WHITE CES1054-802 (ACRYLIC) CES1054-398*	SUMMER GOLD CES1054-B48 (ACRYLIC) CES1054-B54*	
			DULL BLACK (LACQUER) CES1054-193	DULL BLACK (LACQUER) CES1054-193	DULL BLACK (LACQUER) CES1054-193			512	VESTAL WHITE CES1054-802 (ACRYLIC) CES1054-398*	EMPRESS BLUE CES1054-832 (ACRYLIC) CES1054-899*	
	GC	OLD GOLD WITH PERFORATED INSERTS	CLOUD GRAY (LACQUER) CES1054-531	CLOUD GRAY (LACQUER) CES1054-531	CLOUD GRAY (LACQUER) CES1054-531			513	VESTAL WHITE CES1054-802 (ACRYLIC) CES1054-398*	SATIN BLUE CES1054-B62 (ACRYLIC) CES1054-B66*	
			CLOUD GRAY (VINYL) CES1054-533	CLOUD GRAY (VINYL) CES1054-533	CLOUD GRAY (VINYL) CES1054-533			514	VESTAL WHITE CES1054-802 (ACRYLIC) CES1054-398*	SPRING GREEN CES1054-B64 (ACRYLIC) CES1054-B68*	
GV	OLD GOLD VINYL	SUNSET RED (LACQUER) CES1054-B37	OLD GOLD (LACQUER) CES1054-B25	OLD GOLD (LACQUER) CES1054-B25		515	VESTAL WHITE CES1054-802 (ACRYLIC) CES1054-398*	NUTMEG CES1054-A95 (ACRYLIC) CES1054-B17*	TROPICAL ORANGE CES1054-774 (ACRYLIC) CES1054-849*		

NOTE: WHEN ORDERING PAINT SPECIFY CES-1054 DASH NUMBER. EXAMPLE: CES1054-156

*Lacquer paint, used on French Aircraft only.



MODEL 150 & A150			PAINT CODE CHART				MODEL 150 & A150					
YEAR	INTERIOR COLOR		INTERIOR PAINT				SERIAL LISTING	EXTERIOR PAINT				
	CODE	COLOR	AC	INTERIOR COLOR CODE		CC		CODE	COLOR COMBINATIONS			
1 9 7 6	AC	CHESTNUT BROWN WITH PERFORATED INSERTS	BLACK SEMI-GLOSS (LACQUER) CES1054-156	BLACK SEMI-GLOSS (LACQUER) CES1054-156	BLACK SEMI-GLOSS (LACQUER) CES1054-156	BLACK SEMI-GLOSS (LACQUER) CES1054-156	15077006 THRU 15078505 F15001249 THRU F15001338 A1500610 THRU A1500684 FA1500282 THRU FA1500311	601	VESTAL WHITE CES1054-802 (ACRYLIC) CES1054-398*	FLAG RED CES1054-A93 (ACRYLIC) CES1054-B03*		
		DULL BLACK (LACQUER) CES1054-193	DULL BLACK (LACQUER) CES1054-193	DULL BLACK (LACQUER) CES1054-193	DULL BLACK (LACQUER) CES1054-193	601A			FLAG RED CES1054-B03*			
	BA	SAPPHIRE BLUE & CLOUD GRAY VINYL	CLOUD GRAY (LACQUER) CES1054-531	CLOUD GRAY (LACQUER) CES1054-531	CLOUD GRAY (LACQUER) CES1054-531	CLOUD GRAY (LACQUER) CES1054-531		602	VESTAL WHITE CES1054-802 (ACRYLIC) CES1054-398*	LATIGO CES1054-B88 (ACRYLIC) CES1054-B92*		
		CLOUD GRAY (VINYL) CES1054-533	CLOUD GRAY (VINYL) CES1054-533	CLOUD GRAY (VINYL) CES1054-533	CLOUD GRAY (VINYL) CES1054-533	602A			LATIGO CES1054-B92*			
	BC	SAPPHIRE BLUE WITH PERFORATED INSERTS	CHESTNUT BROWN (LACQUER) CES1054-B41	SAPPHIRE BLUE (LACQUER) CES1054-B73	SAPPHIRE BLUE (LACQUER) CES1054-B73	ORO GREEN (LACQUER) CES1054-B77		603	VESTAL WHITE CES1054-802 (ACRYLIC) CES1054-398*	SPANISH BRONZE CES1054-B90 (ACRYLIC) CES1054-B94*		
		ORO GREEN WITH PERFORATED INSERTS	INTERIOR PAINT					603A		SPANISH BRONZE CES1054-B94*		
	CC	RUBY RED WITH PERFORATED INSERTS	INTERIOR COLOR CODE					604	VESTAL WHITE CES1054-802 (ACRYLIC) CES1054-398*	EMPRESS BLUE CES1054-832 (ACRYLIC) CES1054-899*		
		RUBY RED WITH PERFORATED INSERTS	DC	GC	XA			604A		EMPRESS BLUE CES1054-899*		
	DC	TOPAZ GOLD WITH PERFORATED INSERTS	BLACK SEMI-GLOSS (LACQUER) CES1054-156	BLACK SEMI-GLOSS (LACQUER) CES1054-156	BLACK SEMI-GLOSS (LACQUER) CES1054-156			605	VESTAL WHITE CES1054-802 (ACRYLIC) CES1054-398*	SATIN BLUE CES1054-B62 (ACRYLIC) CES1054-B66*		
		SUNSET RED & CLOUD GRAY VINYL	DULL BLACK (LACQUER) CES1054-193	DULL BLACK (LACQUER) CES1054-193	DULL BLACK (LACQUER) CES1054-193			605A		SATIN BLUE CES1054-B66*		
	GC		CLOUD GRAY (LACQUER) CES1054-531	CLOUD GRAY (LACQUER) CES1054-531	CLOUD GRAY (LACQUER) CES1054-531			606	VESTAL WHITE CES1054-802 (ACRYLIC) CES1054-398*	GRANADA GREEN CES1054-A97 (ACRYLIC) CES1054-B04*		
			CLOUD GRAY (VINYL) CES1054-533	CLOUD GRAY (VINYL) CES1054-533	CLOUD GRAY (VINYL) CES1054-533			606A		GRANADA GREEN CES1054-B04*		
XA		RUBY RED (LACQUER) CES1054-B81	TOPAZ GOLD (LACQUER) CES1054-B85	SUNSET RED (LACQUER) CES1054-B97		607	VESTAL WHITE CES1054-802 (ACRYLIC) CES1054-398*	FLAG RED CES1054-A93 (ACRYLIC) CES1054-B03*	SATIN BLUE CES1054-B62 (ACRYLIC) CES1054-B66*			
						614	VESTAL WHITE CES1054-802 (ACRYLIC) CES1054-398*	COOPER BROWN CES1054-B45 (ACRYLIC) CES1054-B99*				
						615	VESTAL WHITE CES1054-802 (ACRYLIC) CES1054-398*	VELVET BLACK CES1054-807 (ACRYLIC) CES1054-151*				

NOTE: WHEN ORDERING PAINT SPECIFY CES1054 DASH NUMBER. EXAMPLE: CES1054-156

*Lacquer paint, used on French Aircraft only.

MODEL 150 & A150			PAINT CODE CHART				MODEL 150 & A150					
YEAR	INTERIOR COLOR		INTERIOR PAINT				SERIAL LISTING	EXTERIOR PAINT				
	CODE	CODE	AC	AF	BA	BC		CODE	COLOR COMBINATIONS			
1 9 7 7	AC	CHESTNUT BROWN WITH PERFORATED INSERTS	BLACK SEMI-GLOSS (LACQUER) CES1054-156	BLACK SEMI-GLOSS (LACQUER) CES1054-156	BLACK SEMI-GLOSS (LACQUER) CES1054-156	BLACK SEMI-GLOSS (LACQUER) CES1054-156	15078506 & ON F15001339 & ON A1500685 & ON FA1500312 & ON	701	VESTAL WHITE CES1054-802(ACRYLIC) CES1054-398*	ROYAL MAROON CES1054-189(ACRYLIC) CES1054-185*		
			DULL BLACK (LACQUER) CES1054-193	DULL BLACK (LACQUER) CES1054-193	DULL BLACK (LACQUER) CES1054-193	DULL BLACK (LACQUER) CES1054-531		702	VESTAL WHITE CES1054-802(ACRYLIC) CES1054-398*	FLAG RED CES1054-A93(ACRYLIC) CES1054-103*		
	AF	CHESTNUT BROWN VINYL & FABRIC	CLOUD GRAY (LACQUER) CES1054-531	CLOUD GRAY (LACQUER) CES1054-531	CLOUD GRAY (LACQUER) CES1054-531	CLOUD GRAY (LACQUER) CES1054-531		702A		FLAG RED CES1054-103*		
			CLOUD GRAY (VINYL) CES1054-533	CLOUD GRAY (VINYL) CES1054-533	CLOUD GRAY (VINYL) CES1054-533	CLOUD GRAY (VINYL) CES1054-533		703	VESTAL WHITE CES1054-802(ACRYLIC) CES1054-398*	TROPICAL ORANGE CES1054-774(ACRYLIC) CES1054-849*		
	BA	SAPPHIRE BLUE & CLOUD GRAY VINYL	CHESTNUT BROWN (LACQUER) CES1054-B41	CHESTNUT BROWN (LACQUER) CES1054-B41	SAPPHIRE BLUE (LACQUER) CES1054-B73	SAPPHIRE BLUE (LACQUER) CES1054-B73		704	VESTAL WHITE CES1054-802(ACRYLIC) CES1054-398*	SPANISH BRONZE CES1054-B92(ACRYLIC) CES1054-104*		
			CLOUD GRAY (LACQUER) CES1054-531	CLOUD GRAY (LACQUER) CES1054-531	CLOUD GRAY (VINYL) CES1054-533	CLOUD GRAY (VINYL) CES1054-533		704A		SPANISH BRONZE CES1054-104*		
	BC	SAPPHIRE BLUE WITH PERFORATED INSERTS	INTERIOR PAINT					15078506 & ON F15001339 & ON A1500685 & ON FA1500312 & ON	705	VESTAL WHITE CES1054-802(ACRYLIC) CES1054-398*	LATIGO CES1054-B88(ACRYLIC) CES1054-B92*	
			INTERIOR COLOR CODE						705A		LATIGO CES1054-B92*	
	BF	SAPPHIRE BLUE VINYL & FABRIC	BLACK SEMI-GLOSS (LACQUER) CES1054-156	BLACK SEMI-GLOSS (LACQUER) CES1054-156	BLACK SEMI-GLOSS (LACQUER) CES1054-156	BLACK SEMI-GLOSS (LACQUER) CES1054-156			706	VESTAL WHITE CES1054-802(ACRYLIC) CES1054-398*	SATIN BLUE CES1054-B82(ACRYLIC) CES1054-B86*	
			DULL BLACK (LACQUER) CES1054-193	DULL BLACK (LACQUER) CES1054-193	DULL BLACK (LACQUER) CES1054-193	DULL BLACK (LACQUER) CES1054-193			706A		SATIN BLUE CES1054-B86*	
	CC	ORO GREEN WITH PERFORATED INSERTS	CLOUD GRAY (LACQUER) CES1054-531	CLOUD GRAY (LACQUER) CES1054-531	CLOUD GRAY (VINYL) CES1054-533	CLOUD GRAY (VINYL) CES1054-533			707	VESTAL WHITE CES1054-802(ACRYLIC) CES1054-398*	SERENA BLUE CES1054-A96(ACRYLIC) CES1054-B16*	
			CLOUD GRAY (VINYL) CES1054-533	CLOUD GRAY (VINYL) CES1054-533	CLOUD GRAY (VINYL) CES1054-533	CLOUD GRAY (VINYL) CES1054-533			707A		SERENA BLUE CES1054-B16*	
	CF	ORO GREEN VINYL & FABRIC	CLOUD GRAY (LACQUER) CES1054-531	CLOUD GRAY (LACQUER) CES1054-531	CLOUD GRAY (VINYL) CES1054-533	CLOUD GRAY (VINYL) CES1054-533			708	VESTAL WHITE CES1054-802(ACRYLIC) CES1054-398*	GRANADA GREEN CES1054-A97(ACRYLIC) CES1054-B04*	
			CLOUD GRAY (VINYL) CES1054-533	CLOUD GRAY (VINYL) CES1054-533	CLOUD GRAY (VINYL) CES1054-533	CLOUD GRAY (VINYL) CES1054-533			708A		GRANADA GREEN CES1054-B04*	
	DC	RUBY RED WITH PERFORATED INSERTS	SAPPHIRE BLUE (LACQUER) CES1054-B73	ORO GREEN (LACQUER) CES1054-B77	ORO GREEN (LACQUER) CES1054-B77	RUBY RED (LACQUER) CES1054-B81			709	VESTAL WHITE CES1054-802(ACRYLIC) CES1054-398*	VELVET BLACK CES1054-807(ACRYLIC) CES1054-151*	
			INTERIOR PAINT						710	VESTAL WHITE CES1054-802(ACRYLIC) CES1054-398*	FLAG RED CES1054-A93(ACRYLIC) CES1054-B03*	SATIN BLUE CES1054-B02(ACRYLIC) CES1054-B66*
	DF	RUBY RED VINYL & FABRIC	INTERIOR COLOR CODE									
DF			EC	GC & GF	HC & HF							
EC	CLOUD GRAY WITH PERFORATED INSERTS	BLACK SEMI-GLOSS (LACQUER) CES1054-156	BLACK SEMI-GLOSS (LACQUER) CES1054-156	BLACK SEMI-GLOSS (LACQUER) CES1054-156	BLACK SEMI-GLOSS (LACQUER) CES1054-156							
		DULL BLACK (LACQUER) CES1054-193	DULL BLACK (LACQUER) CES1054-193	DULL BLACK (LACQUER) CES1054-193	DULL BLACK (LACQUER) CES1054-193							
GC	TOPAZ GOLD WITH PERFORATED INSERTS	CLOUD GRAY (LACQUER) CES1054-531	CLOUD GRAY (LACQUER) CES1054-531	CLOUD GRAY (LACQUER) CES1054-531	CLOUD GRAY (LACQUER) CES1054-531							
		CLOUD GRAY (VINYL) CES1054-533	CLOUD GRAY (VINYL) CES1054-533	CLOUD GRAY (VINYL) CES1054-533	CLOUD GRAY (VINYL) CES1054-533							
GF	TOPAZ GOLD VINYL & FABRIC	RUBY RED (LACQUER) CES1054-B81		TOPAZ GOLD (LACQUER) CES1054-B85	POPPY RED (LACQUER) CES1054-B85							
HC	HUNTER RED WITH PERFORATED INSERTS											
HF	HUNTER RED VINYL & FABRIC											

NOTE: WHEN ORDERING PAINT SPECIFY CES-1054 DASH NUMBER. EXAMPLE: CES1054-156

*Lacquer paint, used on French Aircraft only.

This page intentionally left blank.

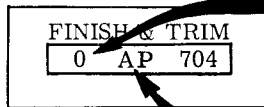
**UPHOLSTERY
&
INTERIOR TRIM** 

UPHOLSTERED PARTS - HOW TO ORDER

PARTS MARKED WITH A # FOLLOWING PART NUMBER REQUIRE A SECOND DASH NUMBER FOR COLOR & MATERIAL

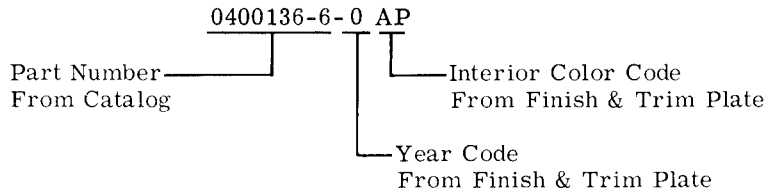
HOW TO DETERMINE 2nd DASH NUMBER

1. Find part number of desired part in catalog.
2. Refer to "FINISH & TRIM" plate, in the airplane, for your "Year Code" and "Interior Color Code."



3. Add the "Year Code" and "Interior Color Code," to the part number from catalog.

EXAMPLE OF COMPLETE NUMBER



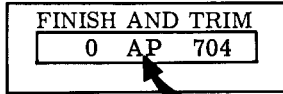
INTERIOR PAINTED OR PLASTIC PARTS HOW TO ORDER

PARTS MARKED WITH A □ FOLLOWING PART NUMBER REQUIRE A SECOND DASH NUMBER FOR PROPER COLOR.

To obtain second dash number use of correct table, for your model year, is required.

To use table,

1. Find part number of desired part in catalog.
2. Refer to the "Finish and Trim" plate, in the airplane, for your "Interior Color Code."

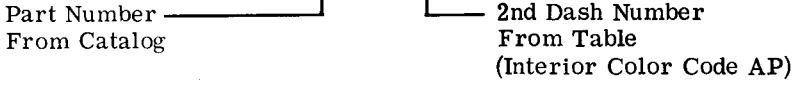


3. Locate part number from catalog in table.
4. Add dash number for color that appears under your "Interior Color Code."

INTERIOR PAINTED OR PLASTIC PARTS 1970 MODEL YEAR ONLY		INTERIOR COLOR CODE												
15071129 & ON		FA15000530 & ON												
A15000001 & ON		FA15000001 & ON												
PART NUMBER	PART NAME	From Finish and Trim Plate)												
		AP	AC	BP	BC	MP	MP	VM	MC	CP	CC			
0400118-44	COVER - CENTER STRIP	532	532	532	532	532	532	532	532	532	532	532	532	532
0400118-104	TRIM COVER - REAR WINDOW	532	532	532	532	532	532	532	532	532	532	532	532	532
0400129-57	PANEL - BAGGAGE COMPARTMENT UPPER AFT	532	532	532	532	532	532	532	532	532	532	532	532	532
0400129-58	PANEL ASSEMBLY - BAGGAGE COMPARTMENT UPPER AFT	532	532	532	532	532	532	532	532	532	532	532	532	532
0400129-58	PANEL ASSEMBLY - COWL LH	532	532	532	532	532	532	532	532	532	532	532	532	532
0400129-72	PANEL - COWL RH	532	532	532	532	532	532	532	532	532	532	532	532	532
0400134-5	FRAME ASSEMBLY	533	533	533	533	533	533	533	533	533	533	533	533	533
0400138-1	SUPPORT ASSEMBLY - BACKREST LH	531	531	531	531	531	531	531	531	531	531	531	531	531
0400138-2	SUPPORT ASSEMBLY - BACKREST RH	531	531	531	531	531	531	531	531	531	531	531	531	531
0404013-1	COVER ASSEMBLY	532	532	532	532	532	532	532	532	532	532	532	532	532
0404015-3	SHIELD	532	532	532	532	532	532	532	532	532	532	532	532	532
0411204-1	FRAME ASSEMBLY - SEAT BOTTOM LH	533	533	533	533	533	533	533	533	533	533	533	533	533
0411204-2	FRAME ASSEMBLY - SEAT BOTTOM RH	533	533	533	533	533	533	533	533	533	533	533	533	533
0411481	STRIP - WINDSHIELD ATTACHMENT	531	531	531	531	531	531	531	531	531	531	531	531	531
0411559-5	SHIELD - RUDDER BAR LH	156	156	156	156	156	156	156	156	156	156	156	156	156
0411836-3	SHIELD - RUDDER BAR	156	156	156	156	156	156	156	156	156	156	156	156	156
0411870	STRIP - WINDSHIELD SIDE	531	531	531	531	531	531	531	531	531	531	531	531	531

EXAMPLES OF COMPLETE NUMBER

0400129-58 -532



**INTERIOR PAINTED OR PLASTIC PARTS
1970 MODEL YEAR ONLY**

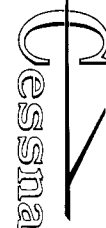
15071129 THRU 15072003
A1500001 THRU A1500226

F15000530 THRU F15000658
FA1500001 THRU FA1500081

INTERIOR COLOR CODE
(From Finish and Trim Plate)

PART NUMBER	PART NAME	AP	AC	BP	BC	MP	MV	MC	CP	CC
0400129-58	PANEL ASSEMBLY - BAGGAGE COMPARTMENT UPPER AFT	532	532	532	532	532	532	532	532	532
0400129-68	PANEL ASSEMBLY - COWL LH	532	532	532	532	532	532	532	532	532
0400129-72	PANEL - COWL RH	532	532	532	532	532	532	532	532	532
0400134-5	FRAME ASSEMBLY	533	533	533	533	533	533	533	533	533
0400138-1	SUPPORT ASSEMBLY - BACKREST LH	531	531	531	531	531	531	531	531	531
0400138-2	SUPPORT ASSEMBLY - BACKREST RH	531	531	531	531	531	531	531	531	531
0411204-1	FRAME ASSEMBLY - SEAT BOTTOM LH	533	533	533	533	533	533	533	533	533
0411204-2	FRAME ASSEMBLY - SEAT BOTTOM RH	533	533	533	533	533	533	533	533	533
0411481	STRIP - WINDSHIELD ATTACHMENT	531	531	531	531	531	531	531	531	531
0411599-5	SHIELD - RUDDER BAR LH	156	156	156	156	156	156	156	156	156
0411836-3	SHIELD - RUDDER BAR	156	156	156	156	156	156	156	156	156
0411870	STRIP - WINDSHIELD SIDE	531	531	531	531	531	531	531	531	531
0411971-1	SHIELD - RUDDER BAR RH	156	156	156	156	156	156	156	156	156
0412070-5	SHELF ASSEMBLY - UTILITY	531	531	531	531	531	531	531	531	531
0413033-25	DOOR ASSEMBLY - CABIN LH	531	531	531	531	531	531	531	531	531
0413033-26	DOOR ASSEMBLY - CABIN RH	531	531	531	531	531	531	531	531	531
0413033-31	DOOR ASSEMBLY - CABIN LH	531	531	531	531	531	531	531	531	531
0413033-32	DOOR ASSEMBLY - CABIN RH	531	531	531	531	531	531	531	531	531
0413033-206	DOOR ASSEMBLY - CABIN RH	531	531	531	531	531	531	531	531	531
0413033-207	DOOR ASSEMBLY - CABIN LH	531	531	531	531	531	531	531	531	531
0413033-208	DOOR ASSEMBLY - CABIN RH	531	531	531	531	531	531	531	531	531
0413033-209	DOOR ASSEMBLY - CABIN LH	531	531	531	531	531	531	531	531	531
0413446-1	MARKER	597	597	597	597	597	597	597	597	597
0413454-1	COLLAR ASSEMBLY - CONTROL LOCK	156	156	156	156	156	156	156	156	156
0413458-1	DOOR ASSEMBLY - GLOVE BOX	978	978	976	976	977	977	977	975	975
0413461-2	COVER - ENGINE INSTRUMENT	989	989	989	989	989	989	989	989	989
0413461-3	PLATE - SPLICE	989	989	989	989	989	989	989	989	989
0413461-6	COVER - SHOCK PANEL	989	989	989	989	989	989	989	989	989
0413461-7	COVER - SHOCK PANEL	989	989	989	989	989	989	989	989	989
0413462-6	PANEL - SWITCH	978	978	976	976	977	977	977	975	975
0413463-2	COVER - CONTROL	978	978	976	976	976	977	977	975	975
0413467-2	EYEBROW - INSTRUMENT PANEL	710	710	710	710	710	710	710	710	710
0413467-3	COVER - RADIO CUTOUT	279	279	279	279	279	279	279	279	279
0413467-4	TRIM PANEL	978	978	976	976	977	977	977	975	975
0413467-5	COVER - STATIONARY PANEL	978	978	976	976	977	977	977	975	975
0413467-6	TRIM PANEL	978	978	976	976	977	977	977	975	975
0413470-1	COVER - ACCELEROMETER	279	279	279	279	279	279	279	279	279
0413475-1	COVER - COMPASS MOUNT SUPPORT	279	279	279	279	279	279	279	279	279
0413478-1	COVER - COMPASS MOUNT SUPPORT LOWER	279	279	279	279	279	279	279	279	279
0413484-7	SHIELD ASSEMBLY - LOWER	532	532	532	532	532	532	532	532	532
0413489-4	SHIELD - RH	532	532	532	532	532	532	532	532	532
0414001-3	PANEL - DOOR UPHOLSTERY LH	532	532	532	532	532	532	532	532	532

MODEL 150 & A150



Illustrated parts catalog

**INTERIOR PAINTED OR PLASTIC PARTS
1970 MODEL YEAR ONLY**


15071129 THRU 15072003
A1500001 THRU A1500226

F15000530 THRU F15000658
FA1500001 THRU FA1500081

INTERIOR COLOR CODE

(From Finish and Trim Plate)

PART NUMBER	PART NAME	AP	AC	BP	BC	MP	MV	MC	CP	CC
0414001-4	PANEL - DOOR UPHOLSTERY RH	532	532	532	532	532	532	532	532	532
0414002-1	PANEL - CABIN SIDE LH	532	532	532	532	532	532	532	532	532
0414002-2	PANEL - CABIN SIDE RH	532	532	532	532	532	532	532	532	532
0414012-1	RETAINER - SPEAKER GRILL	532	532	532	532	532	532	532	532	532
0414018-1	RETAINER - HEADLINER	531	531	531	531	531	531	531	531	531
0414018-2	RETAINER - HEADLINER	531	531	531	531	531	531	531	531	531
0414030-1	TRIM COVER - REAR WINDOW	532	532	532	532	532	532	532	532	532
0500310-1	BRACKET ASSEMBLY	156	156	156	156	156	156	156	156	156
0500312-2	MIRROR ASSEMBLY	279	279	279	279	279	279	279	279	279
1414087-15	CLAMP	531	531	531	531	531	531	531	531	531


Vespa
illustrated parts catalog

MODEL 150 & A150

INTERIOR PAINTED OR PLASTIC PARTS

1971 MODEL YEAR ONLY

15072004 THRU 15072628
A1500227 THRU A1500276

F15000659 THRU F15000738
FA1500082 THRU FA1500121

INTERIOR COLOR CODE

(From Finish and Trim Plate)

PART NUMBER	PART NAME	API	AC	BP	BC	CP	CC	CVID	DP	DC
0400134-5	FRAME ASSEMBLY	533	533	533	533	533	533	533	533	533
0400138-1	SUPPORT ASSEMBLY - BACKREST LH	531	531	531	531	531	531	531	531	531
0400138-2	SUPPORT ASSEMBLY - BACKREST RH	531	531	531	531	531	531	531	531	531
0411204-1	FRAME ASSEMBLY - SEAT BOTTOM LH	533	533	533	533	533	533	533	533	533
0411204-2	FRAME ASSEMBLY - SEAT BOTTOM RH	533	533	533	533	533	533	533	533	533
0411481	STRIP - WINDSHIELD ATTACHMENT	531	531	531	531	531	531	531	531	531
0411599-5	SHIELD - RUDDER BAR LH	156	156	156	156	156	156	156	156	156
0411836-3	SHIELD - RUDDER BAR	156	156	156	156	156	156	156	156	156
0411870	STRIP - WINDSHIELD SIDE	531	531	531	531	531	531	531	531	531
0411971-1	SHIELD - RUDDER BAR RH	156	156	156	156	156	156	156	156	156
0412070-5	SHELF ASSEMBLY - UTILITY	531	531	531	531	531	531	531	531	531
0413033-25	DOOR ASSEMBLY - CABIN LH	531	531	531	531	531	531	531	531	531
0413033-26	DOOR ASSEMBLY - CABIN RH	531	531	531	531	531	531	531	531	531
0413033-31	DOOR ASSEMBLY - CABIN LH	531	531	531	531	531	531	531	531	531
0413033-32	DOOR ASSEMBLY - CABIN RH	531	531	531	531	531	531	531	531	531
0413033-206	DOOR ASSEMBLY - CABIN RH	531	531	531	531	531	531	531	531	531
0413033-207	DOOR ASSEMBLY - CABIN LH	531	531	531	531	531	531	531	531	531
0413033-208	DOOR ASSEMBLY - CABIN RH	531	531	531	531	531	531	531	531	531
0413033-209	DOOR ASSEMBLY - CABIN LH	531	531	531	531	531	531	531	531	531
0413446-1	MARKER	597	597	597	597	597	597	597	597	597
0413454-1	COLLAR ASSEMBLY - CONTROL LOCK	156	156	156	156	156	156	156	156	156
0413458-1	DOOR ASSEMBLY - GLOVE BOX	978	978	A24	A24	A30	A30	A30	A27	A27
0413461-2	COVER - ENGINE INSTRUMENT	989	989	989	989	989	989	989	989	989
0413461-3	PLATE - SPLICE	989	989	989	989	989	989	989	989	989
0413461-6	COVER - SHOCK PANEL	989	989	989	989	989	989	989	989	989
0413461-7	COVER - SHOCK PANEL	989	989	989	989	989	989	989	989	989
0413462-8	PANEL - SWITCH	978	978	A24	A24	A30	A30	A30	A27	A27
0413463-2	COVER ASSEMBLY - CONTROL	978	978	A24	A24	A30	A30	A30	A27	A27
0413467-3	COVER - RADIO CUTOUT	279	279	279	279	279	279	279	279	279
0413467-8	COVER - STATIONARY PANEL	978	978	A24	A24	A30	A30	A30	A27	A27
0413470-1	COVER - ACCELEROMETER	279	279	279	279	279	279	279	279	279
0413475-1	COVER - COMPASS MOUNT SUPPORT	279	279	279	279	279	279	279	279	279
0413478-1	COVER - COMPASS MOUNT SUPPORT LOWER	279	279	279	279	279	279	279	279	279
0413484-7	SHIELD ASSEMBLY - LH	532	532	532	532	532	532	532	532	532
0413489-4	SHIELD - RH	532	532	532	532	532	532	532	532	532
0413512-1	INSERT - EYEBROW	978	978	A24	A24	A30	A30		A27	A27
0413512-2	INSERT - EYEBROW	978	978	A24	A24	A30	A30		A27	A27
0414001-3	PANEL ASSEMBLY - DOOR UPHOLSTERY LH	532	532	532	532	532	532	532	532	532



INTERIOR PAINTED OR PLASTIC PARTS

1971 MODEL YEAR ONLY

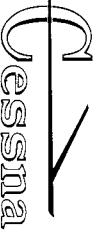
15072004 THRU 15072628
A1500227 THRU A1500276

F15000659 THRU F15000738
FA1500082 THRU FA1500121

INTERIOR COLOR CODE

(From Finish and Trim Plate)

PART NUMBER	PART NAME	INTERIOR COLOR CODE									
		AP	AC	BP	BC	CP	CC	CV	DP	DC	
0414001-4	PANEL ASSY - DOOR UPHOLSTERY RH	532	532	532	532	532	532	532	532	532	
0414018-1	RETAINER - HEADLINER	531	531	531	531	531	531	531	531	531	
0414018-2	RETAINER - HEADLINER	531	531	531	531	531	531	531	531	531	
0414026-1	PANEL - DOOR UPHOLSTERY LH	532	532	532	532	532	532	532	532	532	
0414026-2	PANEL - DOOR UPHOLSTERY RH	532	532	532	532	532	532	532	532	532	
0414026-3	PANEL - CABIN SIDE LH	532	532	532	532	532	532	532	532	532	
0414026-4	PANEL - CABIN SIDE RH	532	532	532	532	532	532	532	532	532	
0414026-5	PANEL - DOOR UPHOLSTERY LH	532	532	532	532	532	532	532	532	532	
0414026-6	PANEL - DOOR UPHOLSTERY RH	532	532	532	532	532	532	532	532	532	
0414030-1	TRIM COVER - REAR WINDOW	532	532	532	532	532	532	532	532	532	
0500310-1	BRACKET ASSEMBLY	156	156	156	156	156	156	156	156	156	
0500312-2	MIRROR ASSEMBLY	279	279	279	279	279	279	279	279	279	



 Cessna Illustrated parts catalog

MODEL 150 & A150

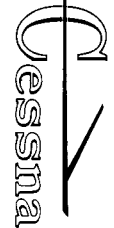
**INTERIOR PAINTED OR PLASTIC PARTS
1972 MODEL YEAR ONLY**

15072629 THRU 15073658
A1500277 THRU A1500342

F15000739 THRU F15000863
FA1500122 THRU FA1500166

INTERIOR COLOR CODE
(From Finish and Trim Plate)

PART NUMBER	PART NAME	AA	AV	BA	BB	BV	CA	CC	CV	DD	DV
0400134-5	FRAME ASSEMBLY	533	533	533	533	533	533	533	533	533	533
0400138-1	SUPPORT ASSEMBLY - BACKREST LH	531	531	531	531	531	531	531	531	531	531
0400138-2	SUPPORT ASSEMBLY - BACKREST RH	531	531	531	531	531	531	531	531	531	531
0411481	STRIP - WINDSHIELD ATTACHMENT	531	531	531	531	531	531	531	531	531	531
0411599-5	SHIELD - RUDDER BAR LH	156	156	156	156	156	156	156	156	156	156
0411836-3	SHIELD - RUDDER BAR	156	156	156	156	156	156	156	156	156	156
0411870	STRIP - WINDSHIELD SIDE	531	531	531	531	531	531	531	531	531	531
0411971-1	SHIELD - RUDDER BAR RH	156	156	156	156	156	156	156	156	156	156
0412070-5	SHELF ASSEMBLY - UTILITY	531	531	531	531	531	531	531	531	531	531
0413033-25	DOOR ASSEMBLY - CABIN LH	531	531	531	531	531	531	531	531	531	531
0413033-26	DOOR ASSEMBLY - CABIN RH	531	531	531	531	531	531	531	531	531	531
0413033-31	DOOR ASSEMBLY - CABIN LH	531	531	531	531	531	531	531	531	531	531
0413033-32	DOOR ASSEMBLY - CABIN RH	531	531	531	531	531	531	531	531	531	531
0413033-206	DOOR ASSEMBLY - CABIN RH	531	531	531	531	531	531	531	531	531	531
0413033-207	DOOR ASSEMBLY - CABIN LH	531	531	531	531	531	531	531	531	531	531
0413033-208	DOOR ASSEMBLY - CABIN RH	531	531	531	531	531	531	531	531	531	531
0413033-209	DOOR ASSEMBLY - CABIN LH	531	531	531	531	531	531	531	531	531	531
0413446-1	MARKER	597	597	597	597	597	597	597	597	597	597
0413454-1	COLLAR ASSEMBLY - CONTROL LOCK						156				
0413458-1	DOOR ASSEMBLY - GLOVE BOX						A30				
0413461-2	COVER - ENGINE INSTRUMENT						989				
0413461-3	PLATE - SPLICE						989				
0413461-6	COVER - SHOCK PANEL						989				
0413461-7	COVER - SHOCK PANEL						989				
0413461-12	COVER - ENGINE INSTRUMENTS	A59	A59	A59	A59	A59		A59	A59	A59	A59
0413461-13	COVER ASSY - SHOCK PANEL	A59	A59	A59	A59	A59		A59	A59	A59	A59
0413461-14	COVER ASSY - SHOCK PANEL	A59	A59	A59	A59	A59		A59	A59	A59	A59
0413461-15	PLATE ASSY - SPLICE	A59	A59	A59	A59	A59		A59	A59	A59	A59
0413462-8	PANEL - SWITCH	978	978	A44	A44	A44	A30	A48	A48	A52	A52
0413463-2	COVER ASSY - CONTROL	978	978	A44	A44	A44	A30	A48	A48	A52	A52
0413467-3	COVER - RADIO CUTOUT					A59	279				A59
0413467-8	COVER - STATIONARY PANEL	978	978	A44	A44	A44	A30	A48	A48	A52	A52
0413470-1	COVER - ACCELEROMETER	279	279	279	279	279	279	279	279	279	279
0413475-2	COVER - COMPASS MOUNT SUPPORT	279	279	279	279	279	279	279	279	279	279
0413478-1	COVER - COMPASS MOUNT SUPPORT LOWER	279	279	279	279	279	279	279	279	279	279
0413484-7	SHIELD ASSEMBLY - LH	532	532	532	532	532	532	532	532	532	532
0413489-4	SHIELD - RH	532	532	532	532	532	532	532	532	532	532
0413512-1	INSERT - EYEBROW	978	978		A44	A44		A48	A48	A52	A52
0413512-2	INSERT - EYEBROW	978	978		A44	A44		A48	A48	A52	A52
0413525-1	DOOR ASSY - GLOVE BOX	978	978	A44	A44	A44		A48	A48	A52	A52
0413525-10	DOOR ASSY - GLOVE BOX	978	978	A44	A44	A44	A30	A48	A48	A52	A52
0413527-1	COVER - RADIO CUTOUT	A59	A59	A59	A59			A59	A59	A59	
0414001-3	PANEL ASSY - DOOR UPHOLSTERY LH				532			532			
0414001-4	PANEL ASSY - DOOR UPHOLSTERY RH				532			532			



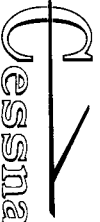
**INTERIOR PAINTED OR PLASTIC PARTS
1972 MODEL YEAR ONLY**

15072629 THRU 15073658
A1500277 THRU A1500342

F15000739 THRU F15000863
FA1500122 THRU FA1500166

INTERIOR COLOR CODE
(From Finish and Trim Plate)

PART NUMBER	PART NAME	AA	AV	BA	BB	BV	CA	CC	CV	DD	DV
0414002-1	PANEL - CABIN SIDE LH			532			532				
0414002-2	PANEL - CABIN SIDE RH			532			532				
0414018-1	RETAINER - HEADLINER	531	531	531	531	531	531	531	531	531	531
0414018-2	RETAINER - HEADLINER	531	531	531	531	531	531	531	531	531	531
0414026-3	PANEL - CABIN SIDE LH	532	532		532	532	532	532	532	532	532
0414026-4	PANEL - CABIN SIDE RH	532	532		532	532	532	532	532	532	532
0414026-5	PANEL - DOOR UPHOLSTERY LH	532	532		532	532	532	532	532	532	532
0414026-6	PANEL - DOOR UPHOLSTERY RH	532	532		532	532	532	532	532	532	532
0414026-7	PANEL ASSY - DOOR UPHOLSTERY LH	532	532		532	532	532	532	532	532	532
0414026-8	PANEL ASSY - DOOR UPHOLSTERY RH	532	532		532	532	532	532	532	532	532
0414030-1	TRIM COVER - REAR WINDOW	532	532	532	532	532	532	532	532	532	532
0500310-1	BRACKET ASSEMBLY	156	156	156	156	156	156	156	156	156	156
0500312-2	MIRROR ASSEMBLY	279	279	279	279	279	279	279	279	279	279



illustrated parts catalog

MODEL 150 & A150

**INTERIOR PAINTED OR PLASTIC PARTS
1973 MODEL YEAR ONLY**

15073659 THRU 15074850
A1500343 THRU A1500429

F15000864 THRU F15001013
FA1500167 THRU FA15000211

INTERIOR COLOR CODE
(From Finish and Trim Plate)

PART NUMBER	PART NAME	AV	AV3	BV	BV3	GV	CV3	DV	DV3	BA
		AC	AC3	BC	BC3	GC	GV3	DC	DC3	
0400134-5	FRAME ASSEMBLY	533	533	533	533	533	533	533	533	533
0400138-1	SUPPORT ASSEMBLY - BACKREST LH	531	531	531	531	531	531	531	531	531
0400138-2	SUPPORT ASSEMBLY - BACKREST RH	531	531	531	531	531	531	531	531	531
0411481	STRIP - WINDSHIELD ATTACHMENT	531	531	531	531	531	531	531	531	531
0411599-5	SHIELD - RUDDER BAR LH	156	156	156	156	156	156	156	156	156
0411836-3	SHIELD - RUDDER BAR	156	156	156	156	156	156	156	156	156
0411870	STRIP - WINDSHIELD SIDE	531	531	531	531	531	531	531	531	531
0411971-1	SHIELD - RUDDER BAR RH	156	156	156	156	156	156	156	156	156
0412070-5	SHELF ASSEMBLY - UTILITY	531	531	531	531	531	531	531	531	531
0413033-25	DOOR ASSEMBLY - CABIN LH	531	531	531	531	531	531	531	531	531
0413033-26	DOOR ASSEMBLY - CABIN RH	531	531	531	531	531	531	531	531	531
0413033-31	DOOR ASSEMBLY - CABIN LH	531	531	531	531	531	531	531	531	531
0413033-32	DOOR ASSEMBLY - CABIN RH	531	531	531	531	531	531	531	531	531
0413033-206	DOOR ASSEMBLY - CABIN RH	531	531	531	531	531	531	531	531	531
0413033-207	DOOR ASSEMBLY - CABIN LH	531	531	531	531	531	531	531	531	531
0413033-208	DOOR ASSEMBLY - CABIN RH	531	531	531	531	531	531	531	531	531
0413033-209	DOOR ASSEMBLY - CABIN LH	531	531	531	531	531	531	531	531	531
0413446-1	MARKER	597	597	597	597	597	597	597	597	597
0413462-11	PANEL - SWITCH	721	978	902	A80	903	A88	901	A84	A44
0413462-13	PANEL - SWITCH	721	978	902	A80	903	A88	901	A84	A44
0413462-16	PANEL - SWITCH	721	978	902	A80	903	A88	901	A84	A44
0413463-1	COVER ASSY - CONTROL	721	978	902	A80	903	A88	901	A84	A44
0413467-8	COVER - STATIONARY PANEL	721	978	902	A80	903	A88	901	A84	A44
0413470-1	COVER - ACCELEROMETER	279	279	279	279	279	279	279	279	279
0413484-7	SHIELD ASSEMBLY - LH	532	532	532	532	532	532	532	532	532
0413489-4	SHIELD - RH	532	532	532	532	532	532	532	532	532
0413525-10	DOOR ASSY - GLOVE BOX	721	978	902	A80	903	A88	901	A84	A44
0413529-1	COVER ASSY - ENGINE INSTRUMENT	A59	A59	A59	A59	A59	A59	A59	A59	A59
0413529-3	COVER ASSY - SHOCK PANEL	A59	A59	A59	A59	A59	A59	A59	A59	A59
0413529-4	COVER ASSY - SHOCK PANEL	A59	A59	A59	A59	A59	A59	A59	A59	A59
0413529-7	PLATE ASSY - SPLICE	A59	A59	A59	A59	A59	A59	A59	A59	A59
0413531-1	COVER - RADIO CUTOUT	A59	A59	A59	A59	A59	A59	A59	A59	A59
0414012-1	RETAINER - SPEAKER GRILL	532	532	532	532	532	532	532	532	532
0414018-2	RETAINER - HEADLINER	531	531	531	531	531	531	531	531	531
0414018-4	RETAINER - HEADLINER	531	531	531	531	531	531	531	531	531
0414026-3	PANEL - CABIN SIDE LH	532	532	532	532	532	532	532	532	532
0414026-4	PANEL - CABIN SIDE RH	532	532	532	532	532	532	532	532	532
0414026-15	PANEL ASSY - DOOR UPHOLSTERY LH	532	532	532	532	532	532	532	532	532
0414026-16	PANEL ASSY - DOOR UPHOLSTERY RH	532	532	532	532	532	532	532	532	532
0414030-1	TRIM COVER - REAR WINDOW	532	532	532	532	532	532	532	532	532
0415005-1	INSERT - EYEBROW 150 WITHOUT MIRROR INSTL	721	978	902	A80	903	A88	901	A84	A44
0415005-3	INSERT - EYEBROW A150 WITHOUT MIRROR INSTL									A44
0415005-2	INSERT - EYEBROW 150 & F150 WITH MIRROR INSTL	721	978	902	A80	903	A88	901	A84	A44
0415005-4	INSERT - EYEBROW A150 & FA150 WITH MIRROR INSTL									A44

**INTERIOR PAINTED OR PLASTIC PARTS
1974 MODEL YEAR ONLY**

15074851 THRU 15075781
A1500430 THRU A1500523

F15001014 THRU F15001143
FA1500212 THRU FA1500261

**INTERIOR COLOR
CODE**

(From Finish and Trim Plate)

PART NUMBER	PART NAME	AV	BV	CV	DV	GV	DA
		AC	BC	CC	DC	GC	
0400134-5	FRAME ASSEMBLY	533	533	533	533	533	533
0400138-1	SUPPORT ASSEMBLY - BACKREST LH	533	533	533	533	533	533
0400138-2	SUPPORT ASSEMBLY - BACKREST RH	533	533	533	533	533	533
0411481	STRIP - WINDSHIELD ATTACHMENT	531	531	531	531	531	531
0411599-5	SHIELD - RUDDER BAR LH	156	156	156	156	156	156
0411836-3	SHIELD - RUDDER BAR RH	156	156	156	156	156	156
0411870	STRIP - WINDSHIELD SIDE	531	531	531	531	531	531
0411971-1	SHIELD - RUDDER BAR RH	156	156	156	156	156	156
0412070-5	SHELF ASSEMBLY - UTILITY	531	531	531	531	531	531
0413033-25	DOOR ASSEMBLY - CABIN LH	531	531	531	531	531	531
0413033-26	DOOR ASSEMBLY - CABIN RH	531	531	531	531	531	531
0413033-31	DOOR ASSEMBLY - CABIN LH	531	531	531	531	531	531
0413033-32	DOOR ASSEMBLY - CABIN RH	531	531	531	531	531	531
0413033-206	DOOR ASSEMBLY - CABIN RH	531	531	531	531	531	531
0413033-207	DOOR ASSEMBLY - CABIN LH	531	531	531	531	531	531
0413033-208	DOOR ASSEMBLY - CABIN RH	531	531	531	531	531	531
0413033-209	DOOR ASSEMBLY - CABIN LH	531	531	531	531	531	531
0413446-1	MARKER - FLAP INDICATOR	597	597	597	597	597	597
0413462-19	PANEL - SWITCH	B40	B28	B32	B36	B24	B36
0413463-1	COVER ASSEMBLY - CONTROL	B40	B28	B32	B36	B24	B36
0413467-9	COVER - STATIONARY PANEL	B40	B28	B32	B36	B24	B36
0413470-1	COVER - ACCELEROMETER	279	279	279	279	279	279
0413484-7	SHIELD ASSEMBLY - LH	532	532	532	532	532	532
0413489-4	SHIELD - RH	532	532	532	532	532	532
0413525-10	DOOR ASSEMBLY - GLOVE BOX	B40	B28	B32	B36	B24	B36
0413529-7	PLATE ASSEMBLY - SPLICE	A59	A59	A59	A59	A59	A59
0413529-8	COVER ASSEMBLY - ENGINE INSTRUMENT	A59	A59	A59	A59	A59	A59
0413529-10	COVER ASSEMBLY - SHOCK PANEL	A59	A59	A59	A59	A59	A59
0413529-11	COVER ASSEMBLY - SHOCK PANEL	A59	A59	A59	A59	A59	A59
0413531-28	COVER - RADIO CUTOUT	A59	A59	A59	A59	A59	A59
0413532-1	TRIM - RADIO COVER	A59	A59	A59	A59	A59	A59
0414012-1	RETAINER - SPEAKER GRILL	532	532	532	532	532	532
0414018-2	RETAINER - HEADLINER	531	531	531	531	531	531
0414018-4	RETAINER - HEADLINER	531	531	531	531	531	531
0414030-1	TRIM COVER - REAR WINDOW	532	532	532	532	532	532
0415005-5	INSERT - EYEBROW	A59	A59	A59	A59	A59	A59
0415005-6	INSERT - EYEBROW	A59	A59	A59	A59	A59	A59
0415005-7	INSERT - EYEBROW	A59	A59	A59	A59	A59	A59
0415005-8	INSERT - EYEBROW	A59	A59	A59	A59	A59	A59



illustrated parts catalog

MODEL 150 & A150

**INTERIOR PAINTED OR PLASTIC PARTS
1975 MODEL YEAR**

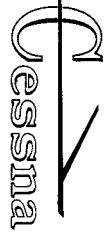
15075782 THRU 15077005
A1500524 THRU A1500609

F15001144 THRU F15001248
FA1500262 THRU FA1500281

**INTERIOR COLOR
CODE**

(From Finish and Trim Plate)

PART NUMBER	PART NAME	AV	BV	CV	DV	GV	DA
		AC	BC	CC	DC	GC	
0400134-5	FRAME ASSEMBLY	533	533	533	533	533	533
0400138-1	SUPPORT ASSEMBLY - BACKREST LH	533	533	533	533	533	533
0400138-2	SUPPORT ASSEMBLY - BACKREST RH	533	533	533	533	533	533
0411481	STRIP - WINDSHIELD ATTACHMENT	531	531	531	531	531	531
0411599-5	SHIELD - RUDDER BAR LH	156	156	156	156	156	156
0411836-3	SHIELD - RUDDER BAR RH	156	156	156	156	156	156
0411870	STRIP - WINDSHIELD SIDE	531	531	531	531	531	531
0411971-1	SHIELD - RUDDER BAR RH	156	156	156	156	156	156
0412070-5	SHELF ASSEMBLY - UTILITY	531	531	531	531	531	531
0413033-15	DOOR ASSEMBLY - CABIN LH	531	531	531	531	531	531
0413033-26	DOOR ASSEMBLY - CABIN RH	531	531	531	531	531	531
0413033-31	DOOR ASSEMBLY - CABIN LH	531	531	531	531	531	531
0413033-32	DOOR ASSEMBLY - CABIN RH	531	531	531	531	531	531
0413033-206	DOOR ASSEMBLY - CABIN RH	531	531	531	531	531	531
0413033-207	DOOR ASSEMBLY - CABIN LH	531	531	531	531	531	531
0413033-208	DOOR ASSEMBLY - CABIN RH	531	531	531	531	531	531
0413033-209	DOOR ASSEMBLY - CABIN LH	531	531	531	531	531	531
0413446-1	MARKER - FLAP INDICATOR	597	597	597	597	597	597
0413462-22	PANEL - SWITCH	B40	B28	B32	B36	B24	B36
0413463-1	COVER ASSEMBLY - CONTROL	B40	B28	B32	B36	B24	B36
0413467-10	COVER - STATIONARY PANEL	B40	B28	B32	B36	B24	B36
0413470-1	COVER - ACCELEROMETER						279
0413525-10	DOOR ASSEMBLY - GLOVE BOX	B40	B28	B32	B36	B24	B36
0413529-7	PLATE ASSEMBLY - SPLICE	A59	A59	A59	A59	A59	A59
0413529-10	COVER ASSEMBLY - SHOCK PANEL	A59	A59	A59	A59	A59	A59
0413529-11	COVER ASSEMBLY - SHOCK PANEL	A59	A59	A59	A59	A59	A59
0413529-12	COVER ASSEMBLY - ENGINE INSTRUMENT	A59	A59	A59	A59	A59	A59
0413531-28	COVER - RADIO CUTOFF	A59	A59	A59	A59	A59	A59
0413532-1	TRIM - RADIO COVER	A59	A59	A59	A59	A59	A59
0414018-2	RETAINER - HEADLINER	531	531	531	531	531	531
0414018-4	RETAINER - HEADLINER	531	531	531	531	531	531
0414030-1	TRIM COVER - REAR WINDOW	532	532	532	532	532	532
0415005-9	INSERT - EYEBROW	A59	A59	A59	A59	A59	A59
0415005-10	INSERT - EYEBROW	A59	A59	A59	A59	A59	A59
0415005-11	INSERT - EYEBROW	A59	A59	A59	A59	A59	A59
0415005-12	INSERT - EYEBROW	A59	A59	A59	A59	A59	A59



**INTERIOR PAINTED OR PLASTIC PARTS
1976 MODEL YEAR**

15077006 THRU 15078505
A1500610 THRU A1500684

F15001249 THRU F15001338
FA1500282 THRU FA1500311

**INTERIOR COLOR
CODE**

(From Finish and Trim Plate)

PART NUMBER	PART NAME	AC	BC	CC	DC	GC	BA	XA
0400134-5	FRAME ASSY	533	533	533	533	533	533	533
0400138-1	SUPPORT ASSY - BACKREST LH	533	533	533	533	533	533	533
0400138-2	SUPPORT ASSY - BACKREST RH	533	533	533	533	533	533	533
0411481	STRIP - WINDSHIELD	531	531	531	531	531	531	531
0411599-5	SHIELD - RUDDER BAR LH	156	156	156	156	156	156	156
0411863-3	SHIELD - RUDDER BAR RH	156	156	156	156	156	156	156
0411870	STRIP - WINDSHIELD SIDE	531	531	531	531	531	531	531
0411971-1	SHIELD - RUDDER BAR RH	156	156	156	156	156	156	156
0412070-5	SHELF ASSY - UTILITY	531	531	531	531	531	531	531
0413446-1	MARKER - FLAP INDICATOR	597	597	597	597	597	597	597
0413463-1	COVER ASSY - CONTROL	B40	B72	B76	B80	B84	B72	B36
0413470-1	COVER - ACCELEROMETER						279	279
0413544-2	COVER ASSY - STATIONARY PANEL	A59	A59	A59	A59	A59	A59	A59
0413544-5	COVER ASSY - SHOCK PANEL	A59	A59	A59	A59	A59	A59	A59
0413545-1	COVER ASSY - LOWER INSTRUMENT PANEL	B40	B72	B76	B80	B84	B72	B36
0413546-1	MAP CASE ASSY	B40	B72	B76	B80	B84	B72	B36
0413546-2	DOOR ASSY - MAP CASE	B40	B72	B76	B80	B84	B72	B36
0413553-1	COVER ASSY - RADIO CUTOUT	A59	A59	A59	A59	A59	A59	A59
0413553-2	COVER ASSY - RADIO CUTOUT	A59	A59	A59	A59	A59	A59	A59
0413553-3	COVER ASSY - RADIO CUTOUT	A59	A59	A59	A59	A59	A59	A59
0413554-1	COVER ASSY - RADIO CUTOUT RH	A59	A59	A59	A59	A59	A59	A59
0413554-4	COVER ASSY - BACK UP ALTIMETER	A59	A59	A59	A59	A59	A59	A59
0414018-2	RETAINER - HEADLINER	531	531	531	531	531	531	531
0414018-4	RETAINER - HEADLINER	531	531	531	531	531	531	531
0414063-1	TRIM ASSY - SEAT BACK	B40	B72	B76	B80	B84	B72	B36
0415025-1	INSERT - EYEBROW	A59	A59	A59	A59	A59	A59	A59
0415025-2	INSERT - EYEBROW	A59	A59	A59	A59	A59	A59	A59


Gessma
Illustrated parts catalog

MODEL 150 & A150

**INTERIOR PAINTED OR PLASTIC PARTS
1977 MODEL YEAR**

15078506 & ON
A1500685 & ON

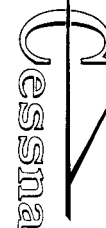
F15001339 & ON
FA1500312 & ON

**INTERIOR COLOR
CODE**

(From Finish and Trim Plate)

PART NUMBER	PART NAME	AF	BF	CF	DF	GF	HF		
		AC	BA	BC	CC	DC	EC	GC	HC
0400134-5	FRAME ASSY	533	533	533	533	533	533	533	533
0400138-1	SUPPORT ASSY - BACKREST LH	533	533	533	533	533	533	533	533
0400138-2	SUPPORT ASSY - BACKREST RH	533	533	533	533	533	533	533	533
0411481	STRIP - WINDSHIELD	531	531	531	531	531	531	531	531
0411599-5	SHIELD - RUDDER BAR LH	156	156	156	156	156	156	156	156
0411863-3	SHIELD - RUDDER BAR RH	156	156	156	156	156	156	156	156
0411870	STRIP - WINDSHIELD SIDE	531	531	531	531	531	531	531	531
0411971-1	SHIELD - RUDDER BAR RH	156	156	156	156	156	156	156	156
0412070-5	SHELF ASSY - UTILITY	531	531	531	531	531	531	531	531
0413463-1	COVER ASSY - CONTROL	B40	B72	B72	B76	B80	279	B84	A84
0413470-1	COVER - ACCELEROMETER		279						
0413544-9	COVER ASSY - SHOCK PANEL	A59	A59	A59	A59	A59	A59	A59	A59
0413544-11	COVER - STATIONARY PANEL	A59	A59	A59	A59	A59	A59	A59	A59
0413546-13	MAP CASE ASSY	B40	B72	B72	B76	B80	279	B84	A84
0413546-14	DOOR ASSY - MAP CASE	B40	B72	B72	B76	B80	279	B84	A84
0413553-1	COVER ASSY - RADIO CUTOUT	A59	A59	A59	A59	A59	A59	A59	A59
0413553-2	COVER ASSY - RADIO CUTOUT	A59	A59	A59	A59	A59	A59	A59	A59
0413553-3	COVER ASSY - RADIO CUTOUT	A59	A59	A59	A59	A59	A59	A59	A59
0413554-1	COVER ASSY - RADIO CUTOUT RH	A59	A59	A59	A59	A59	A59	A59	A59
0413554-4	COVER ASSY - BACK UP ALTIMETER	A59	A59	A59	A59	A59	A59	A59	A59
0413559-1	COVER - LOWER INSTRUMENT PANEL	B40	B72	B72	B76	B80	279	B84	A84
0414018-2	RETAINER - HEADLINER	531	531	531	531	531	531	531	531
0414018-4	RETAINER - HEADLINER	531	531	531	531	531	531	531	531
0414063-1	TRIM ASSY - SEAT BACK	B40	B72	B72	B76	B80	532	B84	A84
0415025-1	INSERT - EYEBROW	A59	A59	A59	A59	A59	A59	A59	A59
0415025-2	INSERT - EYEBROW	A59	A59	A59	A59	A59	A59	A59	A59

MODEL 150 & A150



Illustrated parts catalog

**ALPHABETICAL
INDEX** 



ALPHABETICAL INDEX

NOMENCLATURE	FIGURE	NOMENCLATURE	FIGURE
A		A (Cont)	
ABRASION BOOT	18	ASH RECEIVER	38
ABRASION BOOT	19	ASH RECEIVER	38A
ACCELEROMETER	47	ASSIST HANDLE	38
ACCELEROMETER	47A	ASSIST HANDLE	38A
ACCELEROMETER	47B	ASSIST HANDLE	41
ACCELEROMETER	47C	AUTO PILOT-NAVOMATIC SEE ELECTRONICS MANUAL	
ACCESSORY KITS-SEE ACCESSORY KIT CATALOG		AUXILIARY SEAT	46
ACTUATOR FLAP	69	AXLE	36
ADAPTER FUEL TANK	12	AXLE	36A
ADAPTER FUEL TANK	13	AXLE	36B
ADAPTER OIL COOLER	87	AXLE MAIN LANDING GEAR	36
ADAPTER OIL FILTER	78	AXLE MAIN LANDING GEAR	36A
ADAPTER OIL TEMPERATURE	56	AXLE MAIN LANDING GEAR	36B
ADHESIVE GASKET	1		
ADJUSTABLE SEAT VERTICAL	44D	B	
ADJUSTABLE SEAT VERTICAL	45D	BAFFLE INTER CYLINDER	59
AFT CARPET	42	BAFFLE INTER CYLINDER	59A
AFT CARPET	42A	BAFFLES ENGINE	59
AFT TAILCONE	30	BAFFLES ENGINE	59A
AILERON	15	BAGGAGE COMPARTMENT PANEL	42
AILERON BALANCE WEIGHT	15	BAGGAGE COMPARTMENT PANEL	42A
AILERON BELLCRANK	15	BAGGAGE NET	42
AILERON CABLE	66	BAGGAGE NET	42A
AILERON CABLE	67	BAGGAGE PLACARD	2
AILERON CONTROL SYSTEM	66	BAGGAGE PLACARD	2A
AILERON HINGE	15	BAGGAGE PLACARD	2B
AILERON PULLEY BRACKET	4	BAGGAGE PLACARD	2C
AILERON PULLEY BRACKET	5	BAGGAGE PLACARD	2D
AILERON PULLEY BRACKET	6	BARREL SHIMMY DAMPENER	35
AILERON PULLEY BRACKET	7	BARREL TURNBUCKLE	66
AILERON PUSH PULL ROD	15	BARREL TURNBUCKLE	71
AILERON RIB	15	BARREL TURNBUCKLE	72
AILERON SERVO	67	BATTERY BOX	23
AIR FILTER	79	BATTERY BOX LID	23
AIR FILTER VACUUM	79	BATTERY CABLE	80
AIR FILTER VACUUM	79A	BATTERY CONTACTOR	80
AIR INTAKE HOSE	56	BATTERY GROUND STRAP	80
AIR OUTLET CAP	60	BATTERY KIT	80
AIR OUTLET CAP	60A	BEACON LIGHT FLASHER	84
AIRCRAFT IDENTIFICATION NAMEPLATE	23	BEACON LIGHT FLASHING	84
AIRSPEED INDICATOR	47	BELLCRANK & BRACKET ELEVATOR	24
AIRSPEED INDICATOR	47A	BELLCRANK & BRACKET ELEVATOR	24A
AIRSPEED INDICATOR	47B	BELLCRANK AILERON	15
AIRSPEED INDICATOR	47C	BELLCRANK ELEVATOR	20
AIRSPEED INDICATOR	73	BELLCRANK ELEVATOR	71
AIRSPEED INDICATOR	73A	BELLCRANK ELEVATOR CONTROL	64
ALTERNATOR	57	BELLCRANK FLAP	70A
ALTERNATOR	59	BELT SEAT	25A
ALTERNATOR	59A	BELT SEAT	50A
ALTERNATOR	82	BELT SEAT	50B
ALTERNATOR DRIVE	57	BLAST HOSE	56
ALTERNATOR DRIVE	82	BLAST TUBE SUPPORT	82
ALTIMETER	47	BLOCK FUSELAGE SPAR	29
ALTIMETER	47A	BOARD MAP LIGHT CIRCUIT	85
ALTIMETER	47B	BOOT ABRASION	18
ALTIMETER	47C	BOOT ABRASION	19
ALTIMETER	73	BOTTOM SEAT	44
ALTIMETER	73A	BOTTOM SEAT	44A
ALTIMETER DUAL	73A	BOTTOM SEAT	44B
ALTIMETER ENCODING	73A	BOTTOM SEAT	44C
AMMETER	47	BOTTOM SEAT	44D
AMMETER	47A	BOTTOM SEAT	45
AMMETER	47B	BOTTOM SEAT	45A
AMMETER	47C	BOTTOM SEAT	45B
ANCHOR BRAKE CYLINDER	26	BOTTOM SEAT	45C
ANCHOR BRAKE CYLINDER	26A		
ARMREST	38		
ARMREST	38A		

ALPHABETICAL INDEX

NOMENCLATURE	FIGURE	NOMENCLATURE	FIGURE
B (Cont)		B (Cont)	
BOTTOM SEAT	450	BUTTON PITOT STATIC LINE	73
BOTTOM SEAT	46	C	
BOWL FUEL STRAINER	77	CABIN AIR CONTROL	60A
BOX BATTERY	23	CABIN AIR DOOR	60
BOX GLOVE	49	CABIN AIR OUTLET	60
BRACE EXHAUST STACK	56	CABIN AIR OUTLET	60A
BRACE FLOATPLANE	86	CABIN AIR VENT ELBOW	8
BRACE FLGATPLANE COWL DECK	86	CABIN AIR VENT ELBOW	9
BRAKE & RUDDER PEDAL	61	CABIN AIR VENT ELBOW	60
BRAKE & RUDDER RETURN SPRING	61	CABIN AIR VENT ELBOW	60A
BRAKE CYLINDER	37	CABIN AIR VENT SCOOP	8
BRAKE CYLINDER	37A	CABIN AIR VENT SCOOP	9
BRAKE CYLINDER	37B	CABIN DOOR	38
BRAKE CYLINDER ANCHOR	26	CABIN DOOR	38A
BRAKE CYLINDER ANCHOR	26A	CABIN DOOR CATCH	4
BRAKE CYLINDER BRACKET	61	CABIN DOOR CATCH	5
BRAKE DISC	37	CABIN DOOR CATCH	6
BRAKE DISC	37B	CABIN DOOR CATCH	7
BRAKE FAIRING	36B	CABIN DOOR HANDLE	38
BRAKE HOSE	75	CABIN DOOR HANDLE	38A
BRAKE HOUSING	62	CABIN DOOR LATCH	39
BRAKE LINE	36	CABIN DOOR LOCK	38
BRAKE LINE	36A	CABIN DOOR LOCK	38A
BRAKE LINE	36B	CABIN DOOR WEDGE	38
BRAKE LINE	75	CABIN DOOR WEDGE	38A
BRAKE LINE STRAP	36	CABIN DOOR WINDOW	38
BRAKE LINING	37	CABIN DOOR WINDOW	38A
BRAKE LINING	37A	CABIN ENTRANCE STEP	36
BRAKE LINING	37B	CABIN ENTRANCE STEP	36A
BRAKE MAIN GEAR	37	CABIN ENTRANCE STEP	36B
BRAKE MAIN GEAR	37A	CABIN HEAT CONTROL	60
BRAKE MAIN GEAR	37B	CABIN HEAT CONTROL	60A
BRAKE PEDAL	61	CABIN HEATER	60
BRAKE SYSTEM	75	CABIN HEATER DEFLECTOR	41
BREAKER CIGAR LIGHTER CIRCUIT	47	CABIN HEATER DEFLECTOR	60
BREAKER CIGAR LIGHTER CIRCUIT	47A	CABIN HEATER DEFLECTOR	60A
BREAKER 20 AMP CIRCUIT	48C	CABIN HEATER VALVE	60
BREAKER 60 AMP CIRCUIT	48C	CABIN HEATER VALVE	60A
BULB ALSO SEE LIGHTS		CABIN HEATER VALVE TO SHROUD HOSE	56
BULB COMPASS	51	CABIN HEATING	60
BULB COMPASS	51A	CABIN HEATING	60A
BULB FLAP INDICATOR	70	CABIN HEATING & VENTILATING SYSTEM	60
BULB FLASHING BEACON	84	CABIN HEATING & VENTILATING SYSTEM	60A
BULB INSTRUMENT LIGHT	81	CABIN TOP	24
BULB INSTRUMENT LIGHT	81A	CABIN TOP	24A
BULB INSTRUMENT LIGHT	81B	CABIN TOP & FIREWALL UPHOLSTERY	41
BULB LANDING LIGHT	83B	CABIN TOP SKYLIGHT	24
BULK ITEMS-LIST OF		CABIN TOP SKYLIGHT	24A
BULKHEAD CONTROL TEE	26	CABIN TOP UPHOLSTERY	41
BULKHEAD CONTROL TEE	26A	CABIN UPHOLSTERY	42
BULKHEAD FLOORBOARD	26	CABIN UPHOLSTERY	42A
BULKHEAD FLOORBOARD	26A	CABLES-CONTROL-SEE APPLICABLE SYSTEM	
BULKHEAD FLOORBOARD	26A	CAM DOOR LOCK	38
BULKHEAD FRONT DOORPOST	27	CAM DOOR LOCK	38A
BULKHEAD FRONT DOORPOST	28	CAM RECLINING SEAT	44
BULKHEAD LANDING GEAR	25	CAM RECLINING SEAT	44A
BULKHEAD MAIN LANDING GEAR	25	CAM RECLINING SEAT	44B
BULKHEAD MAIN LANDING GEAR	25A	CAM RECLINING SEAT	44C
BULKHEAD REAR DOORPOST	29	CAM RECLINING SEAT	44D
BULKHEAD SPINNER	53	CAM RECLINING SEAT	45
BULKHEAD SPINNER	53A	CAM RECLINING SEAT	45A
BULKHEAD TANK WELL	6	CAM RECLINING SEAT	45B
BULKHEAD TANK WELL	7	CAM RECLINING SEAT	45C
BUS BAR	48	CAM RECLINING SEAT	45D
BUS BAR	48A		
BUS BAR	48B		
BUS BAR	48C		
BUTTON PITOT STATIC LINE	26		
BUTTON PITOT STATIC LINE	26A		

ALPHABETICAL INDEX

NOMENCLATURE	FIGURE	NOMENCLATURE	FIGURE
C (Cont)		C (Cont)	
CAP AIR OUTLET	60	CIRCUIT BREAKER	80
CAP AIR OUTLET	60A	CIRCUIT BREAKER CIGAR LIGHTER	47
CAP FUEL	12	CIRCUIT BREAKER CIGAR LIGHTER	47A
CAP FUEL	13	CIRCUIT BREAKER 20 AMP	48C
CAP FUEL TANK	12	CIRCUIT BREAKER 60 AMP	48C
CAP FUEL TANK	13	CLOCK ELECTRIC	47
CAP MAIN GEAR HUB	36	CLOCK ELECTRIC	47A
CAP MAIN GEAR HUB	36A	CLOCK ELECTRIC	47B
CAP MAIN GEAR HUB	36B	CLOCK ELECTRIC	47C
CAP NOSE	32	CLUSTER INSTRUMENT	47
CAP NOSE WHEEL HUB	32	CLUSTER INSTRUMENT	47A
CAPACITOR	47B	CLUSTER INSTRUMENT	47B
CAPACITOR	47C	CLUSTER INSTRUMENT	47C
CARBURETOR	57	CLUTCH ROTARY	24
CARBURETOR AIR FILTER	57	CLUTCH ROTARY	24A
CARBURETOR AIR FILTER SEAL	56	CLUTCH ROTARY	29
CARBURETOR FITTING	56	CLUTCH ROTARY DOOR LATCH	24
CARBURETOR HEAT CONTROL	47	CLUTCH ROTARY DOOR LATCH	24A
CARBURETOR HEAT CONTROL	47A	CLUTCH ROTARY DOOR LATCH	29
CARBURETOR HEAT CONTROL	47B	CLUTCH STARTER	57
CARBURETOR HEAT CONTROL	47C	COAT HANGER HOOK	41
CARBURETOR HEAT CONTROL	56	COLD AIR INLET	60A
CARBURETOR MIXTURE CONTROL	56	COLD AIR INLET DOOR	60A
CARD COMPASS CORRECTION	2	COLLAR CONTROL LOCK	47
CARD COMPASS CORRECTION	51	COLOR CHART-PAINT	IV
CARGO TIE DOWN LATCH	42	COMPASS	51
CARGO TIE DOWN LATCH	42A	COMPASS	51A
CARPET	42	COMPASS BULB	51
CARPET	42A	COMPASS BULB	51A
CARPET AFT	42	COMPASS CORRECTION CARD	2
CARPET AFT	42A	COMPASS CORRECTION CARD	51
CARPET FORWARD	42	COMPONENTS & ACCESSORIES ENGINE	57
CASE MAP	49A	COMPONENTS ENGINE	57
CATALOG-HOW TO USE	SEE INTRODUCTION	CONTACTOR BATTERY	80
CATCH CABIN DOOR	4	CONTACTOR STARTER	80
CATCH CABIN DOOR	5	CONTROL CABLES-SEE INDIVIDUAL SYSTEM	
CATCH CABIN DOOR	6	CONTROL SYSTEMS-SEE INDIVIDUAL SYSTEMS	
CATCH CABIN DOOR	7	CONTROL WHEEL SEE WHEEL-CONTROL	
CATCH MAGNETIC	49	CONTROL-PUSH/PULL-SEE ENGINE INSTL	
CENTER FLOORBOARD	24	CONTROL-PUSH/PULL-SEE INSTRUMENT PANEL	
CENTER FLOORBOARD	24A	COOLER FLOATPLANE OIL	87
CENTER STRIP COVER	41	COOLER OIL	57A
CHAIN CONTROL Y	64	COOLER OIL	87
CHAIN ELEVATOR TRIM	72	CORD TOW HOOK	50
CHAIN PARKING BRAKE	75	COVERING BAGGAGE FLOOR	42
CHECK LIST PILOT	2A	COWL ACCESS DOOR	55
CHECK LIST PILOT	2B	COWL ACCESS DOOR	55A
CHECK LIST PILOT	2C	COWL DOOR UPPER	55
CHECK LIST PILOT	2D	COWL ENGINE	55
CHECK LIST PILOTS	2	COWL ENGINE	55A
CIGAR LIGHTER	47	COWL LOWER	55
CIGAR LIGHTER	47A	COWL LOWER	55A
CIGAR LIGHTER	47B	COWL OPENING COVER	54
CIGAR LIGHTER	47C	COWL UPPER	55
CIGAR LIGHTER FUSE	47A	COWL UPPER	55A
CIGAR LIGHTER FUSE	47B	CUP FUEL SAMPLER	14
CIGAR LIGHTER FUSE	47C	CUP HOLDER	50
CIGAR LIGHTER KNOB	47	CYLINDER BRAKE	37
CIGAR LIGHTER KNOB	47A	CYLINDER BRAKE	37A
CIGAR LIGHTER KNOB	47B	CYLINDER BRAKE	37B
CIGAR LIGHTER KNOB	47C	CYLINDER MASTER BRAKE	62
CIRCUIT BOARD MAP LIGHT	85	CYLINDER MASTER BRAKE	63
CIRCUIT BREAKER	47		
CIRCUIT BREAKER	47A	D	
CIRCUIT BREAKER	48	DAMPENER SHIMMY	35
CIRCUIT BREAKER	48A		
CIRCUIT BREAKER	48B		
CIRCUIT BREAKER	48C		

ALPHABETICAL INDEX

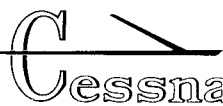
NOMENCLATURE	FIGURE	NOMENCLATURE	FIGURE
D (Cont)		E (Cont)	
DEADENER SOUND	1	ELBOW CABIN AIR VENT	9
DECALS-SEE PLACARDS		ELBOW CABIN AIR VENT	60
DECK SKIN	26	ELBOW CABIN AIR VENT	60A
DECK SKIN	26A	ELECTRIC CLOGCK	47
DEFLECTOR	59	ELECTRIC CLOCK	47A
DEFLECTOR	59A	ELECTRIC CLOGCK	47B
DEFLECTOR CABIN HEATER	41	ELECTRIC CLOCK	47C
DEFLECTOR CABIN HEATER	60	ELECTRICAL EQUIPMENT	80
DEFLECTOR CABIN HEATER	60A	ELECTRONIC EQUIPMENT-SEE ELECTRONICS MANUAL	
DEFROSTER NOZZLE	26	ELEMENT FILTER	79
DEFROSTER NOZZLE	26A	ELEMENT FILTER	79A
DEFROSTER NOZZLE	60	ELEMENT KIT FILTER	78
DEFROSTER NOZZLE	60A	ELEMENT KIT OIL FILTER	78
DIMMING TRANSISTORIZED LIGHT	80	ELEMENT VACUUM AIR FILTER	79
DIODE	80	ELEMENT VACUUM FILTER	79
DIODE EXTERNAL POWER	80	ELEVATOR	20
DIODE MASTER SWITCH	48	ELEVATOR BALANCE WEIGHT	20
DIODE MASTER SWITCH	48A	ELEVATOR BELLCRANK	20
DIRECTIONAL GYRO	47B	ELEVATOR BELLCRANK	71
DIRECTIONAL GYRO	47C	ELEVATOR CONTROL BELLCRANK	64
DIRECTIONAL GYRO	79A	ELEVATOR CONTROL CABLE	71
DIRECTIONAL GYRO INDICATOR	47	ELEVATOR CONTROL LINK	64
DIRECTIONAL GYRO INDICATOR	47A	ELEVATOR CONTROL SYSTEM	71
DIRECTIONAL GYRO INDICATOR	79	ELEVATOR TAB	20
DISC BRAKE	37	ELEVATOR TAB CONTROL BRACKET	30
DISC BRAKE	37B	ELEVATOR TIP	20
DISCHARGER STATIC	52A	ELEVATOR TRIM CHAIN	72
DOOR CABIN	38	ELEVATOR TRIM CONTROL	72
DOOR CABIN	38A	ELEVATOR TRIM CONTROL SYSTEM	72
DOOR CABIN AIR	60	ELEVATOR TRIM TAB	19A
DOOR CABIN LH	38A	ELEVATOR TRIM TAB ACTUATOR	19A
DOOR CABIN RH	38A	EMBLEM CONTROL WHEEL	2B
DOOR COLD AIR INLET	60A	EMBLEM CONTROL WHEEL	2C
DOOR COWL ACCESS	55	EMBLEM CONTROL WHEEL	2D
DOOR COWL ACCESS	55A	EMERGENCY DOOR RELEASE	40
DOOR GLOVE BOX	49	EMERGENCY RELEASE HANDLE	40
DOOR GROUND SERVICE PLUG	80	ENCODING ALTIMETER	73A
DOOR GUIDE	24	ENGINE	56
DOOR GUIDE	24A	ENGINE BAFFLE	54
DOOR GUIDE	29	ENGINE BAFFLE SEAL	59A
DOOR JAMB	24	ENGINE BAFFLES	59
DOOR JAMB	24A	ENGINE BAFFLES	59A
DOOR LATCH	39	ENGINE COMPONENTS	57
DOOR LATCH BRACKET	38A	ENGINE COMPONENTS & ACCESSORIES	57
DOOR LATCH CABIN	39	ENGINE COWL	55
DOOR LATCH HANDLE	39	ENGINE COWL	55A
DOOR MAP CASE	49A	ENGINE MOUNT	56
DOOR RELEASE EMERGENCY	40	ENGINE MOUNT BRACKET	26
DOOR SILL	24	ENGINE MOUNT BRACKET	26A
DOOR SILL	24A	ENGINE MOUNT STRINGER	26
DOOR WEDGE	38	ENGINE MOUNT STRINGER	26A
DOOR WEDGE	38A	ENGINE OIL PLACARD	2
DOORPOST BULKHEAD REAR	29	ENGINE OIL PLACARD	2A
DOORPOST FRONT	27	ENGINE OIL PLACARD	2B
DOORPOST FRONT	28	ENGINE OIL PLACARD	2C
DORSAL	21	ENGINE OIL PLACARD	2D
DORSAL	21A	ENGINE OIL PLACARD	55
DORSAL FIN FAIRING	21	ENGINE OIL PLACARD	55A
DORSAL FIN FAIRING	21A	EQUIPMENT ELECTRICAL	80
DRIVE ALTERNATOR	57	EQUIPMENT FUSELAGE	50
DRIVE ALTERNATOR	82	EQUIPMENT WINTERIZATION	54
DUAL ALTIMETER	73A	EQUIPMENT WINTERIZATION	54A
		EXHAUST STACK	58
		EXHAUST STACK BRACE	56
		EXHAUST STACK SHROUD	58
		EXTENSION FLAP	16
		EXTENSION VALVE	32
		EXTENSION VALVE	36
E			
ELBOW CABIN AIR VENT	8		

ALPHABETICAL INDEX

NOMENCLATURE	FIGURE	NOMENCLATURE	FIGURE
E (Cont)		F (Cont)	
EXTENSION VALVE	36A	FINISH & TRIM PLACARD	2A
EXTENSION VALVE	36B	FINISH & TRIM PLATE	2B
EXTERNAL POWER DIODE	80	FINISH & TRIM PLATE	2C
EXTERNAL POWER FUSE	80	FINISH & TRIM PLATE	2D
EXTINGUISHER & BRACKET FIRE	50	FINISH & TRIM PLATE	23
EXTINGUISHER FIRE	50	FINISH & TRIM PLATE—HOW TO READ	SEE PAGE
EYEBOLT	42	FIRE EXTINGUISHER	50
EYEBOLT	42A	FIRE EXTINGUISHER & BRACKET	50
EYEBOLT	50A	FIRE EXTINGUISHER BRACKET	50
EYEBOLT	50B	FIREWALL	26
EYEBOLT	86	FIREWALL	26A
EYEBOLT HOISTING	86	FIREWALL SHEET	26
EYEBOLT MOORING	17	FIREWALL SHEET	26A
EYEBOLT MOORING	30	FITTINGS FLOATPLANE	86
EYEBROW INSTRUMENT PANEL	47	FLAP	16
EYEBROW INSTRUMENT PANEL	47A	FLAP ACTUATOR	69
EYEBROW INSTRUMENT PANEL	47B	FLAP ACTUATOR MOTOR	69
EYEBROW INSTRUMENT PANEL	47C	FLAP BELLCRANK	70A
		FLAP BELLCRANK BRACKET	4
		FLAP BELLCRANK BRACKET	5
		FLAP BELLCRANK BRACKET	6
		FLAP BELLCRANK BRACKET	7
		FLAP CABLE	69
		FLAP CONTROL BRACKET	16
		FLAP CONTROL BRACKET	70A
		FLAP CONTROL CABLE	70A
		FLAP EXTENSION	16
		FLAP INDICATOR	70A
		FLAP INDICATOR BULB	70
		FLAP LEVER	70A
		FLAP LEVER KNOB	70A
		FLAP LIMIT SWITCH	69
		FLAP LIMIT SWITCH	70A
		FLAP MOTOR HINGE	69
		FLAP POSITION INDICATOR	70
		FLAP POSITION INDICATOR	70A
		FLAP POSITION MARKER	70
		FLAP PULLEY BRACKET	4
		FLAP PULLEY BRACKET	5
		FLAP PULLEY BRACKET	6
		FLAP PULLEY BRACKET	7
		FLAP PUSH PULL ROD	16
		FLAP PUSH ROD	16
		FLAP SWITCH	47
		FLAP SWITCH	47A
		FLAP SWITCH	48B
		FLAP SWITCH	69
		FLAP SWITCH KNOB	47
		FLAP SWITCH KNOB	47A
		FLAP SWITCH KNOB	48B
		FLAP SYSTEM ELECTRIC	69
		FLASHER BEACON LIGHT	84
		FLASHING BEACON BULB	84
		FLASHING BEACON LIGHT	84
		FLASHING BEACON TIP	84
		FLOATPLANE BRACE	86
		FLOATPLANE COWL DECK BRACE	86
		FLOATPLANE FITTINGS	86
		FLOATPLANE PROPELLER	53
		FLOOR COVERING BAGGAGE	42
		FLOORBOARD	24
		FLOORBOARD	24A
		FLOORBOARD	29
		FLOORBOARD BULKHEAD	26
		FLOORBOARD BULKHEAD	26A
		FLOORBOARD CENTER	24
		FLOORBOARD CENTER	24A
		FLOORBOARD FRONT	26
F			
FAIRING BRAKE	36B		
FAIRING DORSAL FIN	21		
FAIRING DORSAL FIN	21A		
FAIRING MAIN GEAR	36A		
FAIRING MAIN GEAR	36B		
FAIRING NOSE GEAR SPEED	32		
FAIRING SCRAPER	36		
FAIRING SPEED	32		
FAIRING SPEED	36		
FAIRING STRUT	17		
FAIRING WHEEL	36A		
FAIRING WHEEL	36B		
FAIRING WING	3		
FAIRING WING TO FUSELAGE	3		
FASTENER INTER CYLINDER BAFFLE	59		
FASTENER INTER CYLINDER BAFFLE	59A		
FASTENER REAR BAFFLE	59		
FASTENER REAR BAFFLE	59A		
FELT GREASE SEAL	37		
FELT GREASE SEAL	37B		
FILLER NECK	12		
FILLER NECK	13		
FILLER NECK FUEL TANK	12		
FILLER NECK FUEL TANK	13		
FILLER TUBE ENGINE MOUNT	86		
FILTER	78		
FILTER ADAPTER WRENCH	78		
FILTER AIR	79		
FILTER CARBURETOR AIR	57		
FILTER ELEMENT	79		
FILTER ELEMENT	79A		
FILTER ELEMENT KIT	78		
FILTER ELEMENT KIT OIL	78		
FILTER ELEMENT VACUUM	79		
FILTER ELEMENT VACUUM AIR	79		
FILTER FUEL STRAINER	77		
FILTER FULL FLOW OIL	78		
FILTER NOISE	80		
FILTER VACUUM AIR	79		
FILTER VACUUM AIR	79A		
FIN	21		
FIN	21A		
FIN ATTACH FITTING	21A		
FIN VENTRAL	86		
FINISH & TRIM PLACARD	2		

ALPHABETICAL INDEX

NOMENCLATURE	FIGURE	NOMENCLATURE	FIGURE
F (Cont)		F (Cont)	
FLOORBOARD FRONT	26A	FUEL TRANSMITTER GROUND STRAP	13
FORWARD CARPET	42	FUEL TRANSMITTER RESISTOR	13
FRONT & CENTER SECTION FUSELAGE	24	FUEL VALVE	14
FRONT & CENTER SECTION FUSELAGE	24A	FUEL VALVE	76
FRONT DOORPOST	27	FUEL VENT VALVE	12
FRONT DOORPOST	28	FUEL VENT VALVE	13
FRONT DOORPOST BULKHEAD	27	FULL FLOW OIL FILTER	78
FRONT DOORPOST BULKHEAD	28	FUSE	48
FRONT DOORPOST SPAR	27	FUSE	48A
FRONT DOORPOST SPAR	28	FUSE	80
FRONT FLOORBOARD	26	FUSE CIGAR LIGHTER	47A
FRONT FLOORBOARD	26A	FUSE CIGAR LIGHTER	47B
FRONT SECTION	26	FUSE CIGAR LIGHTER	47C
FRONT SECTION	26A	FUSE EXTERNAL POWER	80
FRONT SECTION FUSELAGE	26	FUSE HOLDER	80
FRONT SECTION FUSELAGE	26A	FUSE HOLDER EXTERNAL POWER	80
FUEL CAP	12	FUSE MAP LIGHT	85
FUEL CAP	13	FUSE MAP LIGHT	85A
FUEL GAGE	47	FUSEHOLDER	47A
FUEL GAGE	47A	FUSEHOLDER	47B
FUEL GAGE	47B	FUSEHOLDER	47C
FUEL GAGE	47C	FUSEHOLDER	48
FUEL GAGE ACCESS COVER	3	FUSEHOLDER	48A
FUEL GAGE TRANSMITTER	12	FUSEHOLDER	49
FUEL GAGE TRANSMITTER	13	FUSELAGE	23
FUEL HOSE	1	FUSELAGE	26
FUEL HOSE	56	FUSELAGE	26A
FUEL LINE	76	FUSELAGE	86
FUEL LINES-SEE FUEL SYSTEM		FUSELAGE EQUIPMENT	50
FUEL PRIMER	47	FUSELAGE SPAR BLOCK	29
FUEL PRIMER	47A	FUSELAGE TAILCONE	29
FUEL PRIMER	47B		
FUEL PRIMER	47C	G	
FUEL SAMPLER CUP	14	GAGE-SEE INDIVIDUAL LISTING	
FUEL SHUT OFF VALVE	76	GAS CAP-SEE FUEL CAP	
FUEL SHUT OFF VALVE	76A	GAS GAGE-SEE INSTRUMENT PANEL	
FUEL STRAINER	77	GAS LINES-SEE FUEL SYSTEM	
FUEL STRAINER BOWL	77	GASKET ADHESIVE	1
FUEL STRAINER BRACKET	26	GASKET FUEL TANK ADAPTER	12
FUEL STRAINER BRACKET	26A	GASKET FUEL TANK ADAPTER	13
FUEL STRAINER FILTER	77	GEAR BULKHEAD LANDING	25
FUEL STRAINER TOP	77	GEAR MAGNETO DRIVE	57
FUEL SYSTEM	76	GLASS WINDOW	38
FUEL TANK	12	GLASS WINDOW	38A
FUEL TANK	13	GLOVE BOX	49
FUEL TANK	14	GLOVE BOX DOOR	49
FUEL TANK ADAPTER	12	GREASE SEAL FELT	34
FUEL TANK ADAPTER	13	GREASE SEAL FELT	34A
FUEL TANK ADAPTER GASKET	12	GREASE SEAL FELT	34B
FUEL TANK ADAPTER GASKET	13	GREASE SEAL FELT	34C
FUEL TANK CAP	12	GREASE SEAL FELT	37
FUEL TANK CAP	13	GREASE SEAL FELT	37A
FUEL TANK COVER	3	GREASE SEAL FELT	37B
FUEL TANK DRAIN VALVE	14	GRILL SPEAKER	41
FUEL TANK SPACER	10	GROUND CABLE	80
FUEL TANK SPACER	11	GROUND SERVICE PLUG	80
FUEL TANK STRAP	4	GROUND SERVICE PLUG BRACKET	80
FUEL TANK STRAP	5	GROUND SERVICE PLUG DOOR	80
FUEL TANK STRAP	6	GROUND SERVICE PLUG RECEPTACLE	80
FUEL TANK STRAP	7	GROUND SERVICE PLUG RESISTOR	80
FUEL TANK STRAP	12	GROUND STRAP	12
FUEL TANK STRAP	13	GROUND STRAP	13
FUEL TANK WING	13	GROUND STRAP	47
FUEL TRANSMITTER GROUND STRAP	4	GROUND STRAP	47A
FUEL TRANSMITTER GROUND STRAP	5	GROUND STRAP	47B
FUEL TRANSMITTER GROUND STRAP	6		
FUEL TRANSMITTER GROUND STRAP	7		
FUEL TRANSMITTER GROUND STRAP	12		



ALPHABETICAL INDEX

NOMENCLATURE		FIGURE	NOMENCLATURE		FIGURE
G (Cont)			H (Cont)		
GROUND STRAP		47C	HOSE BLAST		56
GROUND STRAP		56	HOSE BRAKE		75
GROUND STRAP		80	HOSE CABIN HEATER VALVE TO SHROUD		56
GUIDE DOOR		24	HOSE FUEL		1
GUIDE DOOR		24A	HOSE FUEL		56
GUIDE DOOR		29	HOSE HEATER		60
GYRO DIRECTIONAL		47B	HOSE HEATER		60A
GYRO DIRECTIONAL		47C	HOSE HEATER VALVE TO SHROUD		60
GYRO DIRECTIONAL		79A	HOSE HEATER VALVE TO SHROUD		60A
GYRO HORIZON		47B	HOSE OIL PRESSURE		78
GYRO HORIZON		47C	HOSES-SEE APPLICABLE SYSTEM		
GYRO HORIZON		79A	HOURLY METER		47
GYRO HORIZON INDICATOR		47	HOURLY METER		47A
GYRO HORIZON INDICATOR		47A	HOURLY METER		47B
GYRO HORIZON INDICATOR		79	HOURLY METER		47C
H			I		
HANDLE ASSIST		38	IGNITION HARNESS		57
HANDLE ASSIST		38A	IGNITION SWITCH COVER		48B
HANDLE ASSIST		41	IGNITION SWITCH COVER		48C
HANDLE CABIN DOOR		38	IGNITION SWITCH KIT		48
HANDLE CABIN DOOR		38A	IGNITION SWITCH KIT		48A
HANDLE DOOR LATCH		39	IGNITION SWITCH KIT		48B
HANDLE EMERGENCY RELEASE		40	IGNITION SWITCH KIT		48C
HANDLE REFUELING		52	INDICATOR-SEE INSTRUMENT PANEL		
HANDLE SEAT		44	INERTIA REEL		50A
HANDLE SEAT		44D	INERTIA REEL		50B
HANDLE SEAT		45	INLET COLD AIR		60A
HANDLE SEAT		45D	INSTRUMENT CLUSTER		47
HANDLE WINDOW LATCH		38	INSTRUMENT CLUSTER		47A
HANDLE WINDOW LATCH		38A	INSTRUMENT CLUSTER		47B
HARNESS IGNITION		57	INSTRUMENT CLUSTER		47C
HARNESS SHOULDER		50A	INSTRUMENT LIGHT BULB		81
HARNESS SHOULDER		50B	INSTRUMENT LIGHT BULB		81A
HEADLINER		41	INSTRUMENT LIGHT BULB		81B
HEADLINER RETAINER		41	INSTRUMENT LIGHT LENS		81
HEATED PITOT		73	INSTRUMENT LIGHT LENS		81A
HEATER		60	INSTRUMENT LIGHT LENS		81B
HEATER CABIN		60	INSTRUMENT LIGHT RHEOSTAT		48
HEATER HOSE		60	INSTRUMENT LIGHT RHEOSTAT		48A
HEATER HOSE		60A	INSTRUMENT PANEL		47
HEATER PITOT		73	INSTRUMENT PANEL		47A
HEATER VALVE TO SHROUD HOSE		60	INSTRUMENT PANEL		47B
HEATER VALVE TO SHROUD HOSE		60A	INSTRUMENT PANEL		47C
HEATING & VENTILATING SYSTEM CABIN		60	INSTRUMENT PANEL & EQUIPMENT		47
HEATING & VENTILATING SYSTEM CABIN		60A	INSTRUMENT PANEL & EQUIPMENT		47A
HEATING CABIN		60	INSTRUMENT PANEL & EQUIPMENT		47B
HEATING CABIN		60A	INSTRUMENT PANEL & EQUIPMENT		47C
HINGE AILERON		15	INSTRUMENT PANEL EYEBROW		47
HINGE FLAP MOTOR		69	INSTRUMENT PANEL EYEBROW		47A
HINGE HALF TAB		20	INSTRUMENT PANEL EYEBROW		47B
HINGE WINDOW		38	INSTRUMENT PANEL EYEBROW		47C
HINGE WINDOW		38A	INSTRUMENT PANEL LIGHT		81
HOISTING EYEBOLT		86	INSTRUMENT PANEL LIGHT		81A
HOLDER CUP		50	INSTRUMENT PANEL LIGHT		81B
HOLDER EXTERNAL POWER FUSE		80	INSTRUMENT PANEL PLACARD		2
HOLDER FUSE		80	INSTRUMENT PANEL PLACARD		2A
HOOK COAT HANGER		41	INSTRUMENT PANEL PLACARD		2B
HOOK SHOULDER HARNESS		50A	INSTRUMENT PANEL PLACARD		47
HOOK TOW		50	INSTRUMENT PANEL STATIONARY		26
HORIZON GYRO		47B			
HORIZON GYRO		47C			
HORIZON GYRO		79A			
HORIZONTAL BAFFLE		59A			
HOSE AIR INTAKE		56			

ALPHABETICAL INDEX

NOMENCLATURE	FIGURE	NOMENCLATURE	FIGURE
I (Cont)		L (Cont)	
INSTRUMENT PANEL STATIONARY	26A	LANDING LIGHT BRACKET	9
INSTRUMENT-SEE INDIVIDUAL LISTINGS		LANDING LIGHT BRACKET	83A
INTER CYLINDER BAFFLE	59	LANDING LIGHT BULB	83B
INTER CYLINDER BAFFLE	59A	LANDING LIGHT COVER	3
INTER CYLINDER BAFFLE FASTENER	59	LANDING LIGHT COWL	83A
INTER CYLINDER BAFFLE FASTENER	59A	LANDING LIGHT COWL	83B
INVERTER	68	LANDING LIGHT WINDOW	83
		LANDING LIGHT WING	83
J		LARGE SPINNER	53
JACK PAD	50	LATCH	32
JACK POINT	50	LATCH	36A
JACK-HEADSET-SEE CESSNA ELECTRONICS MANUAL		LATCH	36B
JACK-MICROPHONE-SEE CESSNA ELECTRONICS MANUAL		LATCH	42
JAMB DOOR	24	LATCH	42A
JAMB DOOR	24A	LATCH	43
JOINT UNIVERSAL	64	LATCH	49A
		LATCH CARGO TIE DOWN	42
K		LATCH CARGO TIE DOWN	42A
KIT BATTERY	80	LATCH DOOR	39
KIT IGNITION SWITCH	48	LATCH SEAT BACK	43
KIT IGNITION SWITCH	48A	LATCH SEAT BELT	50A
KIT IGNITION SWITCH	48B	LATCH WHEEL FAIRING DOOR	32
KIT IGNITION SWITCH	48C	LATCH WHEEL FAIRING DOOR	36A
KITS-SEE ACCESSORY KIT CATALOG		LATCH WHEEL FAIRING DOOR	36B
KNOB CIGAR LIGHTER	47	LEADING EDGE SKIN	8
KNOB CIGAR LIGHTER	47A	LEADING EDGE SKIN	9
KNOB CIGAR LIGHTER	47B	LEADING EDGE SKIN	18
KNOB CIGAR LIGHTER	47C	LEADING EDGE SKIN	19
KNOB FLAP LEVER	70A	LEADING EDGE WING	8
KNOB FLAP SWITCH	47	LEADING EDGE WING	9
KNOB FLAP SWITCH	47A	LENS INSTRUMENT LIGHT	81
KNOB FLAP SWITCH	48B	LENS INSTRUMENT LIGHT	81A
KNCB PRIMER	47	LENS INSTRUMENT LIGHT	81B
KNCB PRIMER	47A	LENS STROBE LIGHT	3
KNCB PRIMER	47B	LENS TAIL LIGHT	22
KNCB PRIMER	47C	LENS TAIL LIGHT	22A
KNOB RHEOSTAT	48	LENS WING POSITION LIGHT	3
KNOB RHEOSTAT	48A	LEVELER COMPONENTS WING	68
KNOB THROTTLE	47	LEVELER WING	67
KNOB THROTTLE	47A	LEVER FLAP	70A
KNOB THROTTLE	47B	LID BATTERY BOX	23
KNOB THROTTLE	47C	LIGHT COWL LANDING	83A
KNOB THROTTLE	47B	LIGHT COWL LANDING	83B
KNOBS-SEE INDIVIDUAL APPLICATIONS		LIGHT FLASHING BEACON	84
		LIGHT LANDING	83
L		LIGHT MAP	85A
LAMP TAIL	22	LIGHT OVERVOLTAGE	47
LAMP TAIL	22A	LIGHT OVERVOLTAGE	47A
LAMP WING POSITION	3	LIGHT OVERVOLTAGE	47B
LAMPS-SEE BULBS		LIGHT OVERVOLTAGE	47C
LAMPS-SEE LIGHTS		LIGHT STROBE	3
LANDING GEAR BULKHEAD	25	LIGHT TAIL	22
LANDING GEAR FILLET PLATE	36	LIGHT TAIL	22A
LANDING GEAR MAIN	36	LIGHT WING LANDING	83
LANDING GEAR MAIN	36A	LIGHTER CIGAR	47
LANDING GEAR MAIN	36B	LIGHTER CIGAR	47A
LANDING GEAR SPRING	36	LIGHTER CIGAR	47B
LANDING GEAR SPRING	36A	LIGHTER CIGAR	47C
LANDING GEAR SPRING	36B	LIMIT SWITCHES-SEE SWITCHES	
LANDING LIGHT	83	LINES-SEE INDIVIDUAL SYSTEM	
LANDING LIGHT BRACKET	8	LINING BRAKE	37
		LINING BRAKE	37A
		LINING BRAKE	37B
		LINK ELEVATOR CONTROL	64
		LINK RUDDER CENTRALIZER	86
		LINK TORQUE LOWER	33
		LINK TORQUE UPPER	33
		LIST PILOT CHECK	2A

ALPHABETICAL INDEX

NOMENCLATURE	FIGURE	NOMENCLATURE	FIGURE
L (Cont)		M (Cont)	
LIST PILOT CHECK	2B	MOORING EYEBOLT	17
LIST PILOT CHECK	2C	MOORING EYEBOLT	30
LIST PILOT CHECK	2D	MOTOR FLAP ACTUATOR	69
LIST PILOTS CHECK	2	MOUNT COWL SHOCK	26
LOCK CABIN DOOR	38	MOUNT COWL SHOCK	26A
LOCK CABIN DOOR	38A	MOUNT ENGINE	56
LOCK CONTROL	50	MOUNT SHOCK	26
LOWER COWL	55	MOUNT SHOCK	26A
LOWER COWL	55A	MUFFLER	58
LOWER COWL NOSECAP	55		
LOWER COWL SKIN	55	N	
LOWER COWL SKIN	55A	NAMEPLATE	2
LUBRICATION FITTING	33	NAMEPLATE	2A
LUBRICATOR FITTING	33	NAMEPLATE	2B
		NAMEPLATE	2C
		NAMEPLATE	2D
		NAMEPLATE AIRCRAFT IDENTIFICATION	23
		NAMEPLATE CONTROL WHEEL	2A
		NAMEPLATES	2
		NAMEPLATES	2A
		NAMEPLATES	2B
		NAMEPLATES	2C
		NAMEPLATES	2D
		NAMEPLATES & EXTERIOR MARKINGS	2
		NAMEPLATES & EXTERIOR MARKINGS	2A
		NAMEPLATES & EXTERIOR MARKINGS	2B
		NAMEPLATES & EXTERIOR MARKINGS	2C
		NAMEPLATES & EXTERIOR MARKINGS	2D
		NAVOMATIC AUTO PILOT—SEE ELECTRONICS MANUAL	
		NECK FILLER	12
		NECK FILLER	13
		NECK FUEL TANK FILLER	12
		NECK FUEL TANK FILLER	13
		NET BAGGAGE	42
		NET BAGGAGE	42A
		NOISE FILTER	80
		NOSE CAP	32
		NOSE GEAR	32
		NOSE GEAR SHOCK STRUT PLACARD	2
		NOSE GEAR SHOCK STRUT PLACARD	2A
		NOSE GEAR SHOCK STRUT PLACARD	2B
		NOSE GEAR SHOCK STRUT PLACARD	2C
		NOSE GEAR SHOCK STRUT PLACARD	2D
		NOSE GEAR SHOCK STRUT PLACARD	33
		NOSE GEAR STEERING TUBE	32
		NOSE GEAR STRUT	33
		NOSE GEAR WHEEL	34
		NOSE GEAR WHEEL	34A
		NOSE GEAR WHEEL	34B
		NOSE GEAR WHEEL	34C
		NOSE GEAR WHEEL & TIRE	34B
		NOSE GEAR WHEEL & TIRE	34C
		NOSE WHEEL HUB CAP	32
		NOSECAP	55
		NOSECAP	55A
		NOSECAP LOWER COWL	55
		NOSECAP UPPER COWL	55
		NOSECAP UPPER COWL	55A
		NOZZLE DEFROSTER	26
		NOZZLE DEFROSTER	26A
		NOZZLE DEFROSTER	60
		NOZZLE DEFROSTER	60A
		NUMERICAL INDEX—SEE LAST SECTION IN CATALOG	
MAGNETIC CATCH	49		
MAGNETO	57		
MAGNETO DRIVE GEAR	57		
MAIN GEAR BRAKE	37		
MAIN GEAR BRAKE	37A		
MAIN GEAR BRAKE	37B		
MAIN GEAR FAIRING	36A		
MAIN GEAR FAIRING	36B		
MAIN GEAR HUB CAP	36		
MAIN GEAR HUB CAP	36A		
MAIN GEAR HUB CAP	36B		
MAIN GEAR WHEEL	37		
MAIN GEAR WHEEL	37A		
MAIN GEAR WHEEL	37B		
MAIN LANDING GEAR	36		
MAIN LANDING GEAR	36A		
MAIN LANDING GEAR	36B		
MAIN LANDING GEAR AXLE	36		
MAIN LANDING GEAR AXLE	36A		
MAIN LANDING GEAR AXLE	36B		
MAIN LANDING GEAR BULKHEAD	25		
MAIN LANDING GEAR BULKHEAD	25A		
MAP CASE	49A		
MAP CASE DOOR	49A		
MAP LIGHT	85A		
MAP LIGHT FUSE	85		
MAP LIGHT FUSE	85A		
MAP LIGHT SHIELD	85A		
MARKER BEACON PLACARD	2C		
MARKER BEACON PLACARD	2D		
MARKER FLAP POSITION	70		
MASTER BRAKE CYLINDER	62		
MASTER BRAKE CYLINDER	63		
MASTER SWITCH	48		
MASTER SWITCH	48A		
MASTER SWITCH	48B		
MASTER SWITCH	48C		
MASTER SWITCH DIODE	48		
MASTER SWITCH DIODE	48A		
METERING PIN	33		
MIKE SWITCH	85A		
MIRROR REAR VIEW	47A		
MIRROR REAR VIEW	47B		
MIRROR REAR VIEW	47C		
MIRROR REAR VIEW	50		
MIXTURE CONTROL	47		
MIXTURE CONTROL	47A		
MIXTURE CONTROL	47B		
MIXTURE CONTROL	47C		

ALPHABETICAL INDEX

NOMENCLATURE	FIGURE	NOMENCLATURE	FIGURE
O		P (Cont)	
OIL COOLER	57A	PANEL SHOCK MOUNTED	47A
OIL COOLER	87	PANEL SHOCK MOUNTED	47B
OIL COOLER ADAPTER	87	PANEL SHOCK MOUNTED	47C
OIL COOLER FLOATPLANE	87	PANEL SHOCK MOUNTED INSTRUMENT	47
OIL FILTER ADAPTER	78	PANEL SHOCK MOUNTED INSTRUMENT	47A
OIL FILTER PLACARD	2	PANEL SHOCK MOUNTED INSTRUMENT	47B
OIL FILTER PLACARD	2A	PANEL SHOCK MOUNTED INSTRUMENT	47C
OIL FILTER PLACARD	2B	PANEL STATIONARY	47
OIL FILTER PLACARD	2C	PANEL STATIONARY	47A
OIL FILTER PLACARD	2D	PANEL STATIONARY INSTRUMENT	47B
OIL FILTER PLACARD	78	PANEL STATIONARY INSTRUMENT	47C
OIL PRESSURE GAGE	47	PANEL SWITCH	48
OIL PRESSURE GAGE	47A	PANEL SWITCH	48A
OIL PRESSURE GAGE	47B	PARKING BRAKE CHAIN	75
OIL PRESSURE GAGE	47C	PARKING BRAKE CONTROL	47
OIL PRESSURE GAGE	78	PARKING BRAKE CONTROL	47A
OIL PRESSURE GAGE	78	PARKING BRAKE CONTROL	47B
OIL PRESSURE HOSE	78	PARKING BRAKE CONTROL	47C
OIL PRESSURE LINE	78	PARKING BRAKE CONTROL	75
OIL SYSTEM	78	PARKING BRAKE SPRING	63
OIL TEMP GAGE	47	PEDAL BRAKE	61
OIL TEMP GAGE	47A	PEDAL BRAKE & RUDDER	61
OIL TEMP GAGE	47B	PEDAL RUDDER	61
OIL TEMP GAGE	47C	PEDAL RUDDER & BRAKE	61
OIL TEMPERATURE ADAPTER	56	PEDESTAL	440
OPERATIONAL LIMITATIONS PLACARD	2	PEDESTAL	450
OPERATIONAL LIMITATIONS PLACARD	2A	PIN BASE PLUG	33
OPERATIONAL LIMITATIONS PLACARD	2B	PIN DOOR HINGE	38
OPERATIONAL LIMITATIONS PLACARD	2C	PIN DOOR HINGE	38A
OPERATIONAL LIMITATIONS PLACARD	2D	PIN METERING	33
OPERATIONAL LIMITATIONS PLACARD	86	PISTON MASTER CYLINDER	63
ORIFICE PISTON SUPPORT	33	PISTON SHIMMY DAMPENER	35
OUTBOARD AUXILIARY SPAR	10	PISTON SUPPORT GRIFICE	33
OUTBOARD AUXILIARY SPAR	11	PITOT HEATED	73
OUTLET CABIN AIR	60	PITOT HEATER	73
OUTLET CABIN AIR	60A	PITOT STATIC LINE BUTTON	26
OUTSIDE AIR TEMP GAGE	50	PITOT STATIC LINE BUTTON	26A
OVERVOLTAGE LIGHT	47	PITOT STATIC LINE BUTTON	73
OVERVOLTAGE LIGHT	47A	PITOT SYSTEM	73
OVERVOLTAGE LIGHT	47B	PITOT TUBE	8
OVERVOLTAGE LIGHT	47C	PITOT TUBE	9
OVERVOLTAGE SENSOR	47	PITOT TUBE	73
OVERVOLTAGE SENSOR	47A	PLACARDS SEE FIG 2	
OVERVOLTAGE SENSOR	47B	PLATE FINISH & TRIM	2B
OVERVOLTAGE SENSOR	47C	PLATE FINISH & TRIM	2C
P		PLATE FINISH & TRIM	2D
PAD CONTROL WHEEL	64	PLATE FINISH & TRIM	23
PAD JACK	50	PLATE FUEL INDICATOR	2
PAINT-SEE FINISH & TRIM PLATE	SEE PAGE	PLATE FUEL INDICATOR	2A
PAINTED PARTS-HOW TO ORDER	SEE PAGE	PLATE FUEL INDICATOR	2B
PAN SEAT	24	PLATE FUEL INDICATOR	2C
PANEL & EQUIPMENT INSTRUMENT	47	PLATE FUEL INDICATOR	2D
PANEL & EQUIPMENT INSTRUMENT	47A	PLATE FUEL INDICATOR	86
PANEL & EQUIPMENT INSTRUMENT	47B	PLATE LANDING GEAR FILLET	36
PANEL & EQUIPMENT INSTRUMENT	47C	PLATE PRESSURE	37
PANEL BAGGAGE COMPARTMENT	42	PLATE PRESSURE	37A
PANEL BAGGAGE COMPARTMENT	42A	PLATE PRESSURE	37B
PANEL INSTRUMENT	47	PLATE SCUFF	42A
PANEL INSTRUMENT	47A	PLATE SCUFF	44D
PANEL INSTRUMENT	47B	PLATE SCUFF	45D
PANEL INSTRUMENT	47C	PLATE SCUFF	38
PANEL LIGHT INSTRUMENT	81	PLATE STRIKER	38
PANEL LIGHT INSTRUMENT	81A	PLATE STRIKER	38A
PANEL LIGHT INSTRUMENT	81B	PLUG PIN BASE	33
PANEL SHOCK MOUNTED	47	PLUG SPARK	57
		POINT JACK	50
		POSITION INDICATOR FLAP	70
		POSITION INDICATOR FLAP	70A
		POWER SUPPLY STROBE LIGHT	3

ALPHABETICAL INDEX

NOMENCLATURE	FIGURE	NOMENCLATURE	FIGURE
P (Cont)		R (Cont)	
POWER SUPPLY STROBE LIGHT	80	RECLINING SEAT CAM	44A
PRESSURE PLATE	37	RECLINING SEAT CAM	44B
PRESSURE PLATE	37A	RECLINING SEAT CAM	44C
PRESSURE PLATE	37B	RECLINING SEAT CAM	44D
PRIMER	1	RECLINING SEAT CAM	45
PRIMER FUEL	47	RECLINING SEAT CAM	45A
PRIMER FUEL	47A	RECLINING SEAT CAM	45B
PRIMER FUEL	47B	RECLINING SEAT CAM	45C
PRIMER FUEL	47C	RECLINING SEAT CAM	45D
PRIMER KNOB	47	RECLINING SEAT HANDLE	44
PRIMER KNOB	47A	RECLINING SEAT HANDLE	44A
PRIMER KNOB	47B	RECLINING SEAT HANDLE	44B
PRIMER KNOB	47C	RECLINING SEAT HANDLE	44C
PRIMER LINE	56	RECLINING SEAT HANDLE	44D
PRIMER LINE	76	RECLINING SEAT HANDLE	45
PRIMER ZINC CHROMATE	1	RECLINING SEAT HANDLE	45A
PROPELLER	53	RECLINING SEAT HANDLE	45B
PROPELLER	53A	RECLINING SEAT HANDLE	45C
PROPELLER & SPINNER	53	RECLINING SEAT HANDLE	45D
PROPELLER & SPINNER	53A	REEL INERTIA	50A
PROPELLER FLOATPLANE	53	REEL INERTIA	50B
PROPELLER SPINNER	53	REFLECTOR	81
PROPELLER SPINNER	53A	REFLECTOR	81B
PULLEY BRACKET RUDDER	86	REFUELING HANDLE	52
PULLEYS-SEE APPLICABLE SYSTEM		REFUELING STEP & HANDLE	52
PUMP VACUUM	79	REGULATOR VOLTAGE	57
PUMP VACUUM	79A	REGULATOR VOLTAGE	80
		RELIEF VALVE	68
Q		RESISTOR	48B
QUICK DRAIN OIL VALVE	78	RESISTOR	48C
		RESISTOR	80
R		RESISTOR	84
RADIO CUTOUT COVER	47	RESISTOR FUEL TRANSMITTER	13
RADIO CUTOUT COVER	47A	RESISTOR GROUND SERVICE PLUG	80
RADIO CUTOUT COVER	47B	RESTRICTOR VALVE	68
RADIO CUTOUT COVER	47C	RETAINER HEADLINER	41
RADIOS-SEE CESSNA ELECTRONICS MANUAL		RETAINER REAR WINDOW	29
RAIL SEAT	44B	RETAINER WINDOW	29
RAIL SEAT	44C	RHEOSTAT INSTRUMENT LIGHT	48
RAIL SEAT	44D	RHEOSTAT INSTRUMENT LIGHT	48A
RAIL SEAT	45B	RHEOSTAT KNOB	48
RAIL SEAT	45C	RHEOSTAT KNOB	48A
RAIL SEAT	45D	RIBS-SEE APPLICABLE STRUCTURE	
REAR DOORPOST SPAR	29	RIVET SET KIT	37
REAR VIEW MIRROR	47A	RIVET SET KIT	37A
REAR VIEW MIRROR	47B	ROD AILERON PUSH PULL	15
REAR VIEW MIRROR	47C	ROD FLAP PUSH	16
REAR VIEW MIRROR	50	ROD FLAP PUSH PULL	16
REAR WINDOW	29	ROTARY CLUTCH	24
REAR WINDOW RETAINER	29	ROTARY CLUTCH	24A
RECEIVER ASH	38	ROTARY CLUTCH	29
RECEIVER ASH	38A	ROTARY DOOR LATCH CLUTCH	24
RECEPTACLE GROUND SERVICE PLUG	80	ROTARY DOOR LATCH CLUTCH	24A
RECLINING SEAT	44	ROTARY DOOR LATCH CLUTCH	29
RECLINING SEAT	44A	RUDDER	22
RECLINING SEAT	44B	RUDDER	22A
RECLINING SEAT	44C	RUDDER	30
RECLINING SEAT	45	RUDDER & BRAKE PEDAL	61
RECLINING SEAT	45A	RUDDER BALANCE WEIGHT	22
RECLINING SEAT	45B	RUDDER BALANCE WEIGHT	22A
RECLINING SEAT	45C	RUDDER BAR SHIELD	42
RECLINING SEAT CAM	44	RUDDER BAR SHIELD	42A
		RUDDER CENTRALIZER LINK	86
		RUDDER CONTROL SYSTEM	65
		RUDDER PEDAL	61
		RUDDER SERVO	67
		RUDDER TRIM TAB	22
		RUDDER TRIM TAB	22A

ALPHABETICAL INDEX

NOMENCLATURE	FIGURE	NOMENCLATURE	FIGURE
S		S (Cont)	
SAFETY BELT-ALSO SEE SEAT BELTS		SENSOR OVERVOLTAGE	47B
SCOOP CABIN AIR VENT	8	SENSOR OVERVOLTAGE	47C
SCOOP CABIN AIR VENT	9	SERVICE PLUG GROUND	80
SCOOP STALL WARNING	74	SERVO AILERON	67
SCRAPER FAIRING	36	SERVO RUDDER	67
SCUFF PLATE	42A	SET KIT RIVET	37
SCUFF PLATE	44D	SET KIT RIVET	37A
SCUFF PLATE	45D	SHAFT TACHOMETER	47
SEAL CARBURETOR AIR FILTER	56	SHAFT TACHOMETER	47A
SEAL ENGINE BAFFLE	59A	SHAFT TACHOMETER	47B
SEAL FELT GREASE	34	SHAFT TACHOMETER	47C
SEAL FELT GREASE	34A	SHEET FIREWALL	26
SEAL FELT GREASE	34B	SHEET FIREWALL	26A
SEAL FELT GREASE	34C	SHELF UTILITY	41
SEAL FELT GREASE	37A	SHIELD MAP LIGHT	85A
SEAL STEERING LINK	26	SHIMMY DAMPENER	35
SEAL STEERING LINK	26A	SHOCK MOUNT	26
SEALANT	1	SHOCK MOUNT	26A
SEAT AUXILIARY	46	SHOCK MOUNT COWL	26
SEAT BACK COVERS-SEE APPLICABLE SEAT		SHOCK MOUNT COWL	26A
SEAT BACK CUSHION-SEE APPLICABLE SEAT		SHOCK MOUNTED INSTRUMENT PANEL	47
SEAT BACK LATCH	43	SHOCK MOUNTED INSTRUMENT PANEL	47A
SEAT BACK-SEE INDIVIDUAL SEAT		SHOCK MOUNTED INSTRUMENT PANEL	47B
SEAT BELT	25A	SHOCK MOUNTED INSTRUMENT PANEL	47C
SEAT BELT	50A	SHOCK MOUNTED PANEL	47
SEAT BELT	50B	SHOCK MOUNTED PANEL	47A
SEAT BELT BRACKET	24	SHOCK MOUNTED PANEL	47B
SEAT BELT BRACKET	24A	SHOCK MOUNTED PANEL	47C
SEAT BELT BRACKET	50A	SHOCK PANEL COVER	47
SEAT BELT BRACKET	50B	SHOCK PANEL COVER	47A
SEAT BELT LATCH	50A	SHOCK PANEL COVER	47B
SEAT BOTTOM-SEE INDIVIDUAL SEAT		SHOCK PANEL COVER	47C
SEAT PAN	24	SHOCK STRUT LOWER	33
SEAT RAIL	44B	SHOULDER HARNESS	50A
SEAT RAIL	44C	SHOULDER HARNESS	50B
SEAT RAIL	44D	SHOULDER HARNESS HOOK	50A
SEAT RAIL	45B	SHROUD EXHAUST STACK	58
SEAT RAIL	45C	SHUT OFF VALVE FUEL	76A
SEAT RAIL	45D	SILL DOOR	24
SEAT RAIL INBOARD	44	SILL DOOR	24A
SEAT RAIL INBOARD	45	SKINS-SEE APPLICABLE STRUCTURE	
SEAT RAIL OUTBOARD	44	SKYLIGHT WINDOW	24
SEAT RAIL OUTBOARD	44A	SKYLIGHT WINDOW	24A
SEAT RAIL OUTBOARD	45	SLANT LETTERS & NUMERALS STENCILS	2B
SEAT RAIL OUTBOARD	45A	SLANT LETTERS & NUMERALS STENCILS	2C
SEAT RECLINING	44	SLANT LETTERS & NUMERALS STENCILS	2D
SEAT RECLINING	44A	SOUND DEADENER	1
SEAT RECLINING	44B	SOUNDPROOFING	42
SEAT RECLINING	44C	SOUNDPROOFING	42B
SEAT RECLINING	45	SPACER FUEL TANK	10
SEAT RECLINING	45A	SPACER FUEL TANK	11
SEAT RECLINING	45B	SPAR FRONT DOORPOST	27
SEAT RECLINING	45C	SPAR FRONT DOORPOST	28
SEAT STOP	44	SPAR OUTBOARD AUXILIARY	10
SEAT STOP	44A	SPAR OUTBOARD AUXILIARY	11
SEAT STOP	44B	SPAR REAR DOORPOST	29
SEAT STOP	44C	SPAR WING	5
SEAT STOP	44D	SPAR WING	7
SEAT STOP	45	SPAR WING	11
SEAT STOP	45A	SPAR WING FRONT	10
SEAT STOP	45B	SPAR WING FRONT	11
SEAT STOP	45C	SPAR WING REAR	10
SEAT STOP	45D	SPAR WING REAR	11
SEAT STOP-SEE INDIVIDUAL SEAT INSTALLATION		SPARK PLUG	57
SEAT VERTICAL ADJUSTABLE	44D	SPARS WING	10
SEAT VERTICAL ADJUSTABLE	45D	SPEAKER GRILL	41
SENSOR OVERVOLTAGE	47	SPEAKER-RADIO-SEE CESSNA ELECTRONICS MANUAL	
SENSOR OVERVOLTAGE	47A	SPEED FAIRING	32

ALPHABETICAL INDEX

NOMENCLATURE	FIGURE	NOMENCLATURE	FIGURE
S (Cont)		S (Cont)	
SPEED FAIRING.	36	STRAP FUEL TANK.	4
SPEED FAIRING NOSE GEAR.	32	STRAP FUEL TANK.	5
SPINNER BULKHEAD	53	STRAP FUEL TANK.	6
SPINNER BULKHEAD	53A	STRAP FUEL TANK.	7
SPINNER LARGE.	53	STRAP FUEL TANK.	12
SPINNER PROPELLER.	53	STRAP FUEL TANK.	13
SPINNER PROPELLER.	53A	STRAP FUEL TRANSMITTER GROUND.	4
STABILIZER	18	STRAP FUEL TRANSMITTER GROUND.	5
STABILIZER	19	STRAP FUEL TRANSMITTER GROUND.	6
STABILIZER TIP	18	STRAP FUEL TRANSMITTER GROUND.	7
STABILIZER TIP	19	STRAP FUEL TRANSMITTER GROUND.	12
STACK EXHAUST.	58	STRAP FUEL TRANSMITTER GROUND.	13
STAINLESS STEEL CABLES-SEE SPECIFIC SYSTEM		STRAP GROUND	12
STALL WARNING HORN	74	STRAP GROUND	13
STALL WARNING SCOOP.	74	STRAP GROUND	47
STARTER.	57	STRAP GROUND	47A
STARTER CLUTCH	57	STRAP GROUND	47B
STARTER CONTACTOR.	80	STRAP GROUND	47C
STARTER CONTACTOR CABLE.	80	STRAP GROUND	56
STATIC DISCHARGER.	52A	STRAP GROUND	80
STATIC SOURCE SUMP	73	STRIKER PLATE.	38
STATIONARY INSTRUMENT PANEL.	26	STRIKER PLATE.	38A
STATIONARY INSTRUMENT PANEL.	26A	STRIP WINDSHIELD	31
STATIONARY INSTRUMENT PANEL.	47B	STROBE LIGHT	3
STATIONARY INSTRUMENT PANEL.	47C	STRUT FAIRING.	17
STATIONARY PANEL	47	STRUT FITTING.	10
STATIONARY PANEL	47A	STRUT FITTING.	11
STATIONARY PANEL COVER	47	STRUT FITTING.	17
STATIONARY PANEL COVER	47A	STRUT LOWER SHOCK.	33
STEERING ARM	33	STRUT NOSE GEAR.	33
STEERING LINK SEAL	26	STRUT STEP	52
STEERING LINK SEAL	26A	STRUT STEP	86
STENCILS	2A	STRUT WING	17
STENCILS	2B	SUCTION GAGE	47
STENCILS	2C	SUCTION GAGE	47A
STENCILS	2D	SUCTION GAGE	47B
STENCILS SLANT LETTERS & NUMERALS.	2B	SUCTION GAGE	47C
STENCILS SLANT LETTERS & NUMERALS.	2C	SUCTION GAGE	79
STENCILS SLANT LETTERS & NUMERALS.	2D	SUCTION GAGE	79A
STENCILS VERTICAL LETTERS & NUMERALS	2A	SUMP STATIC SOURCE	73
STENCILS VERTICAL LETTERS & NUMERALS	2B	SUN VISOR.	51
STENCILS VERTICAL LETTERS & NUMERALS	2C	SUN VISOR.	51A
STENCILS VERTICAL LETTERS & NUMERALS	2D	SWITCH & CIRCUIT BREAKER	48B
STEP	36	SWITCH & CIRCUIT BREAKER	48C
STEP	52	SWITCH COVER	48B
STEP	86	SWITCH COVER	48C
STEP & HANDLE REFUELING.	52	SWITCH FLAP.	47
STEP CABIN ENTRANCE.	36	SWITCH FLAP.	47A
STEP CABIN ENTRANCE.	36A	SWITCH FLAP.	48B
STEP CABIN ENTRANCE.	36B	SWITCH FLAP.	69
STEP STRUT	52	SWITCH FLAP LIMIT.	69
STEP STRUT	86	SWITCH FLAP LIMIT.	70A
STOP SEAT.	44	SWITCH MASTER.	48
STOP SEAT.	44A	SWITCH MASTER.	48A
STOP SEAT.	44B	SWITCH MASTER.	48B
STOP SEAT.	44C	SWITCH MASTER.	48C
STOP SEAT.	44D	SWITCH MIKE.	85A
STOP SEAT.	45	SWITCH PANEL	48
STOP SEAT.	45A	SWITCH PANEL	48A
STOP SEAT.	45B	SWITCHES-SEE INSTRUMENT PANEL.	
STOP SEAT.	45C	SYSTEMS-SEE INDIVIDUAL LISTINGS.	
STOP SEAT.	45D		
STRAINER DRAIN CONTROL	56		
STRAINER DRAIN LINE.	76		
STRAINER DRAIN LINE.	77		
STRAINER FUEL.	77		
STRAP BATTERY GROUND	80		
STRAP BRAKE LINE	36		
		T	
		TAB CONTROL PULLEY BRACKET	24
		TAB CONTROL PULLEY BRACKET	24A

ALPHABETICAL INDEX

NOMENCLATURE	FIGURE	NOMENCLATURE	FIGURE
T (Cont)		T (Cont)	
TAB CONTRL WHEEL	72	TRIM TAB ACTUATOR ELEVATOR	19A
TAB ELEVATOR	20	TRIM TAB ELEVATOR	19A
TAB RUDDER TRIM	22	TRUE AIRSPEED INDICATOR	47
TAB RUDDER TRIM	22A	TRUE AIRSPEED INDICATOR	47A
TAB WHEEL CABLE	72	TRUE AIRSPEED INDICATOR	47B
TACHOMETER	47	TRUE AIRSPEED INDICATOR	47C
TACHOMETER	47A	TUBE ENGINE MOUNT FILLER	86
TACHOMETER	47B	TUBE NOSE GEAR STEERING	32
TACHOMETER	47C	TUBE PITOT	8
TACHOMETER SHAFT	47	TUBE PITOT	9
TACHOMETER SHAFT	47A	TUBE PITOT	73
TACHOMETER SHAFT	47B	TUBE POLYETHYLENE	1
TACHOMETER SHAFT	47C	TUBE POLYETHYLENE	73
TAIL LAMP	22	TUBE SHOCK STRUT	33
TAIL LAMP	22A	TUBE WINTERIZATION VENT	54
TAIL LIGHT	22	TUBE WINTERIZATION VENT	54A
TAIL LIGHT	22A	TURN & BANK INDICATOR	47
TAILCONE	29	TURN & BANK INDICATOR	47A
TAILCONE AFT	30	TURN & BANK INDICATOR	47B
TAILCONE FUSELAGE	29	TURN & BANK INDICATOR	47C
TAILPIPE	58	TURN COORDINATOR INDICATOR	47
TANK DRAIN VALVE FUEL	14	TURN COORDINATOR INDICATOR	47A
TANK FUEL	12	TURN COORDINATOR INDICATOR	47B
TANK FUEL	13	TURN COORDINATOR INDICATOR	47C
TANK FUEL	14	TURN COORDINATOR INDICATOR	68
TANK WELL BULKHEAD	6	TWIN PACK BEVERAGE	50
TANK WELL BULKHEAD	7		
TANK WING FUEL	13		
THROTTLE CONTROL	47		
THROTTLE CONTROL	47A		
THROTTLE CONTROL	47B		
THROTTLE CONTROL	47C		
THROTTLE CONTROL	56		
THROTTLE KNOB	47		
THROTTLE KNOB	47A		
THROTTLE KNOB	47B		
THROTTLE KNOB	47C		
TINTED WINDSHIELD	31		
TIP ELEVATOR	20		
TIP FLASHING BEACON	84		
TIP STABILIZER	18		
TIP STABILIZER	19		
TIP VERTICAL FIN	21		
TIP WING	4		
TIP WING	5		
TIP WING	6		
TIP WING	7		
TIRE	34		
TIRE	34A		
TIRE	34B		
TIRE	34C		
TIRE	37		
TIRE	37A		
TIRE	37B		
TOP CABIN	24		
TOP CABIN	24A		
TOP FUEL STRAINER	77		
TOP SKYLIGHT CABIN	24		
TOP SKYLIGHT CABIN	24A		
TORQUE LOWER LINK	33		
TORQUE UPPER LINK	33		
TOW BAR	50		
TOW HOOK	50		
TOW HOOK CORD	50		
TRANSISTORIZED LIGHT DIMMING	80		
TRANSMITTER FUEL GAGE	12		
TRANSMITTER FUEL GAGE	13		
TRIM CONTROL ELEVATOR	72		
TRIM CONTROL SYSTEM ELEVATOR	72		
		U	
		UNIVERSAL JOINT	64
		UPHOLSTERY CABIN	42
		UPHOLSTERY CABIN	42A
		UPHOLSTERY CABIN TOP	41
		UPHOLSTERY CABIN TOP & FIREWALL	41
		UPPER COWL	55
		UPPER COWL	55A
		UPPER COWL DOOR	55
		UPPER COWL NOSECAP	55
		UPPER COWL NOSECAP	55A
		UTILITY SHELF	41
		V	
		VACUUM PUMP	79
		VACUUM PUMP	79A
		VACUUM RELIEF VALVE	79
		VACUUM RELIEF VALVE	79A
		VACUUM SYSTEM	79
		VACUUM SYSTEM	79A
		VALVE CABIN HEATER	60
		VALVE CABIN HEATER	60A
		VALVE EXTENSION	32
		VALVE EXTENSION	36
		VALVE EXTENSION	36A
		VALVE EXTENSION	36B
		VALVE FUEL	14
		VALVE FUEL	76
		VALVE FUEL SHUT OFF	76
		VALVE FUEL TANK DRAIN	14
		VALVE FUEL VENT	12
		VALVE FUEL VENT	13
		VALVE QUICK DRAIN OIL	78
		VALVE RELIEF	68
		VALVE RESTRICTOR	68



ALPHABETICAL INDEX

NOMENCLATURE	FIGURE	NOMENCLATURE	FIGURE
V (Cont)		W (Cont)	
VALVE VACUUM RELIEF.	79	WINDOW GLASS	38
VALVE VACUUM RELIEF.	79A	WINDOW GLASS	38A
VALVE WING LEVELER	47	WINDOW HINGE	38
VALVE WING LEVELER	47A	WINDOW HINGE	38A
VALVE WING LEVELER	68	WINDOW LANDING LIGHT	83
VENT LINE.	56	WINDOW LATCH HANDLE.	38
VENT LINE.	76	WINDOW LATCH HANDLE.	38A
VENT TUBE WINTERIZATION.	54	WINDOW REAR.	29
VENT TUBE WINTERIZATION.	54A	WINDOW SKYLIGHT.	24
VENTRAL FIN.	86	WINDOW SKYLIGHT.	24A
VERTICAL ADJUSTABLE SEAT	44D	WINDSHIELD	31
VERTICAL ADJUSTABLE SEAT	45D	WINDSHIELD STRIP	31
VERTICAL FIN TIP	21	WINDSHIELD TINTED.	31
VERTICAL LETTERS & NUMERALS STENCILS	2A	WING	4
VERTICAL LETTERS & NUMERALS STENCILS	2B	WING	5
VERTICAL LETTERS & NUMERALS STENCILS	2C	WING	6
VERTICAL LETTERS & NUMERALS STENCILS	2D	WING	7
VERTICAL REAR BAFFLE	59	WING COMPLETE.	3
VERTICAL REAR BAFFLE	59A	WING FAIRING	3
VERTICAL SPEED INDICATOR	47	WING FRONT SPAR.	10
VERTICAL SPEED INDICATOR	47A	WING FRONT SPAR.	11
VERTICAL SPEED INDICATOR	47B	WING LEVELER	67
VERTICAL SPEED INDICATOR	47C	WING LEVELER COMPONENTS.	68
VERTICAL SPEED INDICATOR	73	WING LEVELER VALVE	47
VERTICAL SPEED INDICATOR	73A	WING LEVELER VALVE	47A
VISOR SUN.	51	WING LEVELER VALVE	68
VISOR SUN.	51A	WING POSITION LAMP	3
VOLTAGE REGULATOR.	57	WING POSITION LIGHT LENS	3
VOLTAGE REGULATOR.	80	WING REAR SPAR	10
		WING REAR SPAR	11
		WING ROOT RIB.	4
		WING ROOT RIB.	5
		WING ROOT RIB.	6
		WING ROOT RIB.	7
		WING SPAR.	5
		WING SPAR.	7
		WING SPAR.	11
		WING SPAR FITTING.	10
		WING SPAR FITTING.	11
		WING SPARS	10
		WING STRINGER.	4
		WING STRINGER.	5
		WING STRINGER.	6
		WING STRINGER.	7
		WING STRUCTURE	4
		WING STRUCTURE	5
		WING STRUCTURE	6
		WING STRUCTURE	7
		WING STRUT	17
		WING TIP	4
		WING TIP	5
		WING TIP	6
		WING TIP	7
		WING TO FUSELAGE FAIRING	3
		WINTERIZATION EQUIPMENT.	54
		WINTERIZATION EQUIPMENT.	54A
		WINTERIZATION PLACARD.	2
		WINTERIZATION PLACARD.	2A
		WINTERIZATION PLACARD.	2B
		WINTERIZATION PLACARD.	2C
		WINTERIZATION PLACARD.	2D
		WINTERIZATION PLACARD.	54
		WRENCH FILTER ADAPTER.	78
		Z	
		ZINC CHROMATE PRIMER	1

**PARTS
LISTING** 

FIGURE AND INDEX NO.	PART NUMBER	DESCRIPTION							UNITS PER ASSY	USABLE ON CODE
		1	2	3	4	5	6	7		
1 - - 1	C1C2	MISCELLANEOUS BULK ITEMS ----- CONLEY-WELD ----- EPOXY BASE ----- ADHESIVE. ----- CEMENTING ----- PLASTIC TO PLASTIC ----- PLASTIC TO METAL ----- FIBERGLASS TO FIBERGLASS ----- FIBERGLASS TO METAL ----- METAL TO METAL -----							AR	
- 2	EC880	ADHESIVE-SYNTHETIC ----- RUBBER BASE ----- OIL RESISTANT ----- CEMENTING ----- RUBBER TO METAL ----- SOUNDPROOFING TO METAL ----- UPHOLSTERY TO METAL -----								
- 3	1024A-B	CEMENT PARTS A & B ----- CEMENTING DE-ICER ----- AND ABRASION BOOTS ----- TO WING AND STAB ----- ILIZER LEADING EDGES. -----								
- 4	1007	PRIMER ----- USED ONLY FOR PRIMING ----- AREAS WHERE DE-ICER ----- AND ABRASION BOOTS ARE ----- TO BE INSTALLED WITH ----- 1024A-B. -----								
- 5	576.1	SEALANT-EXTRUDED ----- PERMAGUM ----- WEATHER SEALING ----- OF METAL ----- LAP JOINTS. -----								
- 6	579.6	SEALANT-EXTRUDED ----- ZINC CHROMATE ----- WEATHER SEALING ----- OF WINDOWS. -----								
- 7	S1078-1	SEALANT-SYNTHETIC ----- RUBBER-FABRIC ----- REINFORCED ----- .06 THICK .50 WIDE ----- WINDSHIELD SEALING -----								
- 8	S1078-2	SEALANT-SYNTHETIC ----- RUBBER-FABRIC ----- REINFORCED ----- .12 THICK .50 WIDE ----- WINDSHIELD SEALING -----								
- 9	S1078-3	SEALANT-SYNTHETIC ----- RUBBER-FABRIC ----- REINFORCED ----- 2 MIL MYLAR TAPE ----- BACKING. ----- .06 THICK 1.50 WIDE ----- WINDSHIELD SEALING -----								
-10	EC1239AB	SEALANT-CATALYTIC ----- GENERAL PURPOSE ----- FOR FAYING SURFACES ----- FILLET & RIVET SEALS ----- FUEL SEALING AND AREAS ----- WHERE SKYDROL IS PRESENT -----								
-11	700	SEALANT-FIREWALL ----- SEALING FIREWALL JOINTS ----- AND OPENINGS. ----- WITHSTANDS 2000 DEGREE TEMP ----- FOR 5 MINUTES. -----								
-12	EC776	ADHESIVE-GASKET ----- FUEL RESISTANT ----- SYNTHETIC RUBBER ----- BASE. ----- CEMENTING GASKETS -----								
-13	550	SOUND DEADENER- ----- LIQUID VIBRATION ----- DAMPENER ----- VIBRATION DAMPENING ----- CAN BE BRUSHED ----- OR SPRAYED. -----								
-14	MIL-P-8585	PRIMER-ZINC CHROMATE ----- GREEN ----- CORROSION PROOFING -----								
CONTINUED ON NEXT PAGE										

FIGURE AND INDEX NO.	PART NUMBER	DESCRIPTION						UNITS PER ASSY	USABLE ON CODE
		1	2	3	4	5	6		
1 -14A	EC1675A-B	SEALANT-CATALYTIC		HOPPER ADAPTER TO HOPPER-CANTILEVER WING FUEL BAY					
-14B	PR0890	SEALANT-CATALYTIC ALTERNATE FOR EC1675A-B		HOPPER ADAPTER TO HOPPER-CANTILEVER WING FUEL BAY					
-14C	LOCTITE 5381	EPOXY MIXER CUP		URETHANE TO URETHANE URETHANE TO METAL POLYCARBONATE TO METAL ABS TO METAL				AR	
-14D	EC2216B/A	ADHESIVE PARTS A & B		METAL TO METAL				AR	
-14E	LOCTITE 8721	LOCKING & RETAINING COMPOUND		METAL TO METAL				AR	
-15	S51-4	HOSE-FUEL & OIL-1/4 ID		AVAILABLE BY THE FOOT				AR	
	S51-6	HOSE-FUEL & OIL-3/8 ID		AVAILABLE BY THE FOOT				AR	
	S51-8	HOSE-FUEL & OIL-1/2 ID		AVAILABLE BY THE FOOT				AR	
	S51-10	HOSE-FUEL & OIL-5/8 ID		AVAILABLE BY THE FOOT				AR	
	S51-12	HOSE-FUEL & OIL-3/4 ID		AVAILABLE BY THE FOOT				AR	
	S51-16	HOSE-FUEL & OIL-1.00 ID		AVAILABLE BY THE FOOT				AR	
	S51-32	HOSE-FUEL & OIL-2.00 ID		AVAILABLE BY THE FOOT				AR	
-16	S202RB	CHANNEL-EXTRUDED BLACK		AVAILABLE BY THE FOOT				AR	
	S202VW	CHANNEL-EXTRUDED WHITE		AVAILABLE BY THE FOOT				AR	
-17	S292-1	INSULATION SLEEVING-ELEC-.118 ID		AVAILABLE BY THE FOOT				AR	
	S292-2	INSULATION SLEEVING-ELEC-.133 ID		AVAILABLE BY THE FOOT				AR	
	S292-3	INSULATION SLEEVING-ELEC-.148 ID		AVAILABLE BY THE FOOT				AR	
	S292-4	INSULATION SLEEVING-ELEC-.166 ID		AVAILABLE BY THE FOOT				AR	
	S292-5	INSULATION SLEEVING-ELEC-.186 ID		AVAILABLE BY THE FOOT				AR	
	S292-6	INSULATION SLEEVING-ELEC-.208 ID		AVAILABLE BY THE FOOT				AR	
	S292-8	INSULATION SLEEVING-ELEC-.263 ID		AVAILABLE BY THE FOOT				AR	
	S292-11	INSULATION SLEEVING-ELEC-5/16 ID		AVAILABLE BY THE FOOT				AR	
	S292-12	INSULATION SLEEVING-ELEC-3/8 ID		AVAILABLE BY THE FOOT				AR	
	S292-14	INSULATION SLEEVING-ELEC-1/2 ID		AVAILABLE BY THE FOOT				AR	
	S292-16	INSULATION SLEEVING-ELEC-3/4 ID		AVAILABLE BY THE FOOT				AR	
	S292-28	INSULATION SLEEVING-ELEC-2-1/2 ID		AVAILABLE BY THE FOOT				AR	
-18	S1026BG	CLAMP-WRAP TYPE		AVAILABLE IN 100 FOOT ROLL				AR	
-19	S1053E7T	DUCT-FLEXIBLE-NEOPRENE IMPREGNATED		7/8 DIA				AR	
	S1053E8T	DUCT-FLEXIBLE-NEOPRENE IMPREGNATED		AVAILABLE IN 10 FOOT LENGTHS ONLY 1.00 DIA				AR	
	S1053E10T	DUCT-FLEXIBLE-NEOPRENE IMPREGNATED		1-1/4 DIA				AR	
	S1053K10T	DUCT-FLEXIBLE-SILICONE IMPREGNATED		AVAILABLE IN 10 FOOT LENGTHS ONLY 1-1/4 DIA				AR	
	S1053E12T	DUCT-FLEXIBLE-NEOPRENE IMPREGNATED		1-1 1/2 DIA				AR	
	S1053K12T	DUCT-FLEXIBLE-SILICONE IMPREGNATED		AVAILABLE IN 10 FOOT LENGTHS ONLY 1-1/2 DIA				AR	
	S1053E20T	DUCT-FLEXIBLE-NEOPRENE IMPREGNATED		2-1/2 DIA				AR	
	S1053K20T	DUCT-FLEXIBLE-SILICONE IMPREGNATED		AVAILABLE IN 10 FOOT LENGTHS ONLY 2-1/2 DIA				AR	
	S1053E24T	DUCT-FLEXIBLE-NEOPRENE IMPREGNATED		3.00 DIA				AR	
	S1053K24T	DUCT-FLEXIBLE-SILICONE IMPREGNATED		AVAILABLE IN 10 FOOT LENGTHS ONLY 3.00 DIA				AR	
	S1053E28T	DUCT-FLEXIBLE-NEOPRENE IMPREGNATED		2 PLY 3.00 DIA				AR	
	S1053K28W	DUCT-FLEXIBLE-SILICONE IMPREGNATED		AVAILABLE IN 10 FOOT LENGTHS ONLY 3-1/2 DIA				AR	
	S1053E32T	DUCT-FLEXIBLE-NEOPRENE IMPREGNATED		2 PLY 3-1/2 DIA				AR	
	S1053K32T	DUCT-FLEXIBLE-SILICONE IMPREGNATED		AVAILABLE IN 10 FOOT LENGTHS ONLY 4.00 DIA				AR	
-20	S1047-1	SEAL-SPONGE RUBBER-1/4 THICK		AVAILABLE BY THE FOOT				AR	
	S1047-2	SEAL-SPONGE RUBBER-5/16 THICK		AVAILABLE BY THE FOOT				AR	
-21	S1055-1	CHANNEL-EXTRUDED RUBBER		AVAILABLE BY THE FOOT				AR	
-22	S1071-1	TUBE-POLYETHYLENE-1/4 DIA		AVAILABLE BY THE FOOT				AR	
	S1071-3	TUBE-POLYETHYLENE-3/8 DIA		AVAILABLE BY THE FOOT				AR	
	S1071-4	TUBE-POLYETHYLENE-1/2 DIA		AVAILABLE BY THE FOOT				AR	
	S1071-5	TUBE-POLYETHYLENE-5/8 DIA		AVAILABLE BY THE FOOT				AR	

CONTINUED ON NEXT PAGE

Bulk Items (Cont)

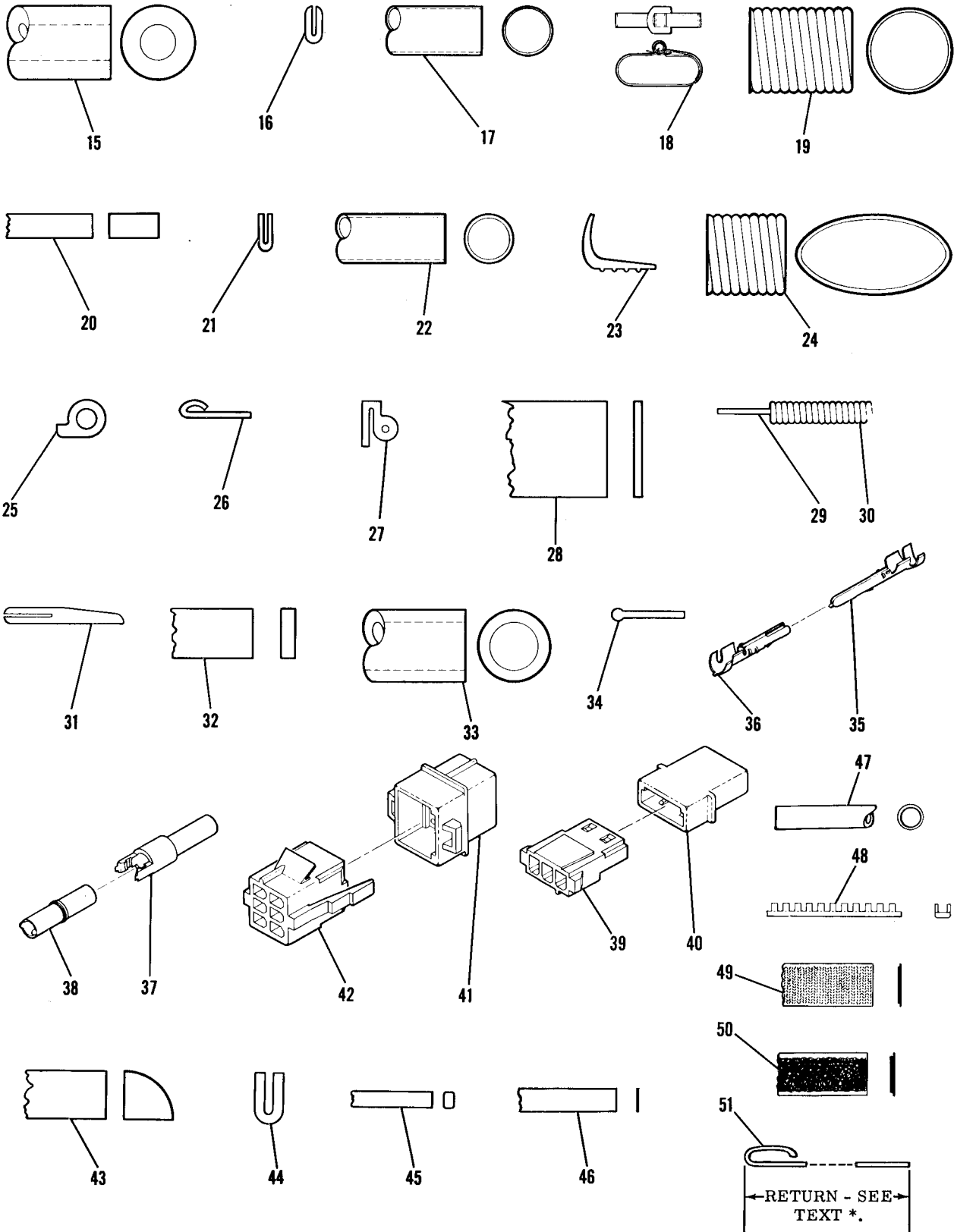


Figure 1. Miscellaneous Bulk Items

FIGURE AND INDEX NO.	PART NUMBER	DESCRIPTION	UNITS PER ASSY	USABLE ON CODE
		1 2 3 4 5 6 7		
1 -23	S1084-1	SEAL-EXTRUDED RUBBER AVAILABLE BY THE FOOT -----	AR	
-24	S1110ET	DUCT-OVAL-FLEXIBLE-NEOPRENE IMPREGNATED ----- AVAILABLE IN 10 FOOT LENGTHS ONLY	AR	
-25	S1346-1	SEAL-SPONGE RUBBER AVAILABLE IN 12 FT LENGTHS ONLY -----	AR	
-26	S1366-1	MOULDING-EXTRUDED PLASTIC-SAND AVAILABLE BY THE FOOT -----	AR	
	S1366-2	MOULDING-EXTRUDED PLASTIC-FAWN AVAILABLE BY THE FOOT -----	AR	
	S1366-3	MOULDING-EXTRUDED PLASTIC-BLACK AVAILABLE BY THE FOOT -----	AR	
-27	S1378-1	SEAL-SPONGE RUBBER-BEIGE AVAILABLE IN 7 FT LENGTHS ONLY -----	AR	
	S1378-2	SEAL-SPONGE RUBBER-CLOUD GRAY ----- AVAILABLE IN 7FT LENGTHS ONLY	AR	
-28	S1389-1	SEALER STRIP-FELT-1.00 WIDE AVAILABLE BY THE FOOT -----	AR	
	S1389-2	SEALER STRIP-FELT-1-1/2 WIDE AVAILABLE BY THE FOOT -----	AR	
	S1389-3	SEALER STRIP-FELT-2.00 WIDE AVAILABLE BY THE FOOT -----	AR	
	S1389-4	SEALER STRIP-FELT 1-3/4 WIDE AVAILABLE BY THE FOOT -----	AR	
	S1389-5	SEALER STRIP-FELT-1-1/4 WIDE AVAILABLE BY THE FOOT -----	AR	
	S1389-6	SEALER STRIP-FELT-2-1/4 WIDE AVAILABLE BY THE FOOT -----	AR	
	S1389-7	SEALER STRIP-FELT-1-3/8 WIDE AVAILABLE BY THE FOOT -----	AR	
-29	S1398-1	CONTROL-PUSH PULL-WIRE AVAILABLE BY THE FOOT -----	AR	
-30	S1398-2	CONTROL-PUSH PULL-CASING AVAILABLE BY THE FOOT -----	AR	
-31	S1415-1	MOULDING-EXTRUDED VINYL -----	AR	
-32	S1441-1	SEAL-SPONGE RUBBER-3/8 WIDE AVAILABLE BY THE FOOT -----	AR	
	S1441-2	SEAL-SPONGE RUBBER-1/4 WIDE AVAILABLE BY THE FOOT -----	AR	
	S1441-3	SEAL-SPONGE RUBBER-1/2 WIDE AVAILABLE BY THE FOOT -----	AR	
-33	S1495-4	HOSE-RUBBER-1/4 ID AVAILABLE BY THE FOOT -----	AR	
	S1495-6	HOSE-RUBBER-3/8 ID AVAILABLE BY THE FOOT -----	AR	
	S1495-8	HOSE-RUBBER-1/2 ID AVAILABLE BY THE FOOT -----	AR	
	S1495-10	HOSE-RUBBER-5/8 ID AVAILABLE BY THE FOOT -----	AR	
-34	S1611-1	SEAL-EXTRUDED VINYL AVAILABLE BY THE FOOT -----	AR	
-35	S1635-1	ELECTRICAL PIN WIRE SIZE 22-18 -----	AR	
	S1635-2	ELECTRICAL PIN WIRE SIZE 18-14 -----	AR	
	S1635-3	ELECTRICAL PIN WIRE SIZE 18 GA-2 WIRE -----	AR	
-36	S1636-1	ELECTRICAL SOCKET WIRE SIZE 22-18 -----	AR	
	S1636-2	ELECTRICAL SOCKET WIRE SIZE 18-14 -----	AR	
	S1636-3	ELECTRICAL SOCKET WIRE SIZE 18 GA-2 WIRE -----	AR	
-37	S1637-1	HOUSING-ELECTRICAL PIN -----	AR	
-38	S1637-2	HOUSING-ELECTRICAL SOCKET -----	AR	
-39	S1638-1	HOUSING-ELECTRICAL SOCKET-3 CIRCUIT -----	AR	
-40	S1638-2	HOUSING-ELECTRICAL PIN-3 CIRCUIT -----	AR	
-41	S1640-6	HOUSING-ELECTRICAL PIN-6 CAVITY -----	AR	
	S1640-9	HOUSING-ELECTRICAL PIN-9 CAVITY -----	AR	
	S1640-12	HOUSING-ELECTRICAL PIN-12 CAVITY -----	AR	
	S1640-15	HOUSING-ELECTRICAL PIN-15 CAVITY -----	AR	
-42	S1641-6	HOUSING-ELECTRICAL SOCKET-6 CAVITY -----	AR	
	S1641-9	HOUSING-ELECTRICAL SOCKET-9 CAVITY -----	AR	
	S1641-12	HOUSING-ELECTRICAL SOCKET-12 CAVITY -----	AR	
	S1641-15	HOUSING-ELECTRICAL SOCKET-15 CAVITY -----	AR	
-43	S1116	SEAL-NEOPRENE AVAILABLE IN 12 FOOT LENGTHS ONLY -----	AR	
-44	S1356	SEAL-EXTRUDED RUBBER AVAILABLE BY THE FOOT -----	AR	
-45	S1614	LACING-KGROSEAL AVAILABLE BY THE FOOT -----	AR	
-46	3690-1/8	FILM-BLACK VINYL-1/8 IN WIDE AVAILABLE BY THE ROLL -----	AR	
	3690-1/4	FILM-BLACK VINYL-1/4 IN WIDE AVAILABLE BY THE ROLL -----	AR	
	3690-1/2	FILM-BLACK VINYL-1/2 IN WIDE AVAILABLE BY THE ROLL -----	AR	
-47	110691	WIRE-TEFLON AVAILABLE BY THE FOOT -----	AR	
-48	S1050-1	GROMMET-CATERPILLAR .056 WIDE -----	AR	
	S1050-2	GROMMET-CATERPILLAR .090 WIDE -----	AR	
	S1050-3	GROMMET-CATERPILLAR .131 WIDE -----	AR	
-49	S2092-3	FABRIC FASTENER-HOOK AVAILABLE BY THE FOOT -----	AR	
-50	S2092-4	FABRIC FASTENER-PILE AVAILABLE BY THE FOOT -----	AR	
-51	S1948-2-1	* TRIM-EXTRUDED CLOUD GRAY AVAILABLE BY THE FOOT -----	AR	
	S1948-2-2	* TRIM-EXTRUDED EBONY AVAILABLE BY THE FOOT -----	AR	
	S1948-2-3	* TRIM-EXTRUDED SILVER TEAL BLUE AVAILABLE BY THE FOOT -----	AR	
	S1948-2-4	* TRIM-EXTRUDED MARI GOLD AVAILABLE BY THE FOOT -----	AR	
	S1948-2-5	* TRIM-EXTRUDED SUN GOLD AVAILABLE BY THE FOOT -----	AR	
	S1948-2-6	* TRIM-EXTRUDED LIGHT OLIVE AVAILABLE BY THE FOOT -----	AR	
	S1948-2-7	* TRIM-EXTRUDED CLOVE BROWN AVAILABLE BY THE FOOT -----	AR	

CONTINUED ON NEXT PAGE

FIGURE AND INDEX NO.	PART NUMBER	DESCRIPTION	UNITS PER ASSY	USABLE ON CODE	
1 -	S1948-2-8 *	TRIM-EXTRUDED HOLIDAY BLUE AVAILABLE BY THE FOOT -----	AR		
	S1948-2-9 *	TRIM-EXTRUDED FIESTA RED AVAILABLE BY THE FOOT -----	AR		
	S1948-2-10 *	TRIM-EXTRUDED PICNIC GREEN AVAILABLE BY THE FOOT -----	AR		
	S1948-2-11 *	TRIM-EXTRUDED BOGOTA BLUE AVAILABLE BY THE FOOT -----	AR		
	S1948-2-12 *	TRIM-EXTRUDED TAHITIAN RED AVAILABLE BY THE FOOT -----	AR		
	S1948-2-13 *	TRIM-EXTRUDED CYPRUS GREEN AVAILABLE BY THE FOOT -----	AR		
	S1948-2-14 *	TRIM-EXTRUDED PEACOCK BLUE AVAILABLE BY THE FOOT -----	AR		
	S1948-2-15 *	TRIM-EXTRUDED POPPY RED AVAILABLE BY THE FOOT -----	AR		
	S1948-2-16 *	TRIM-EXTRUDED GOLDEN OLIVE & OLIVE GREEN ----- AVAILABLE BY THE FOOT	AR		
	S1948-2-17 *	TRIM-EXTRUDED SUNSET RED AVAILABLE BY THE FOOT -----	AR		
	S1948-2-18 *	TRIM-EXTRUDED COPEN BLUE AVAILABLE BY THE FOOT -----	AR		
	S1948-2-19 *	TRIM-EXTRUDED CHESTNUT BROWN AVAILABLE BY THE FOOT -----	AR		
	S1948-2-20 *	TRIM-EXTRUDED OLD GOLD AVAILABLE BY THE FOOT -----	AR		
	<p>NOTE. *PART NUMBER LISTED IN TEXT HAS A 1/2 INCH RETURN. FOR A 7/8 INCH RETURN CHANGE FIRST DASH NUMBER TO -1. EXAMPLE - S1948-1-4.</p>				

This page intentionally left blank.

Placards

***ABCDEFGHIJKLMN
OPQRSTUVWXYZ
-1234567890***

LEFT HAND SLANT
(LEFT SIDE OF AIRPLANE)

**ABCDEFGHIJKLMN
OPQRSTUVWXYZ
-1234567890**

RIGHT HAND SLANT
(RIGHT SIDE OF AIRPLANE)

**ABCDEFGHIJKLMN
OPQRSTUVWXYZ
-1234567890**

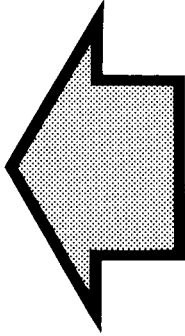
Figure 2. (Sheet 1 of 5) Placards, Nameplates & Exterior Markings

Placards (Cont)

**S1500 TYPE STENCILS *
FOR SLANT GOTHIC LETTERS & NUMERALS**

LETTERS AND NUMERALS ARE AVAILABLE IN 10 INCH AND 12 INCH HEIGHTS IN EITHER LEFT HAND OR RIGHT HAND SLANT.

LETTERS AVAILABLE ARE A THRU Z.
NUMERALS AVAILABLE ARE 0 THRU 9.



TO ORDER:

EACH LETTER OR NUMERAL WANTED MUST BE ORDERED BY GIVING BASIC PART NUMBER, FOLLOWED BY HEIGHT DESIRED, FOLLOWED BY SPECIFIC LETTER OR NUMERAL AND THE DESIGNATOR L OR R TO INDICATE LEFT OR RIGHT HAND SLANT.

EXAMPLE:



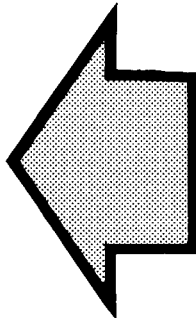
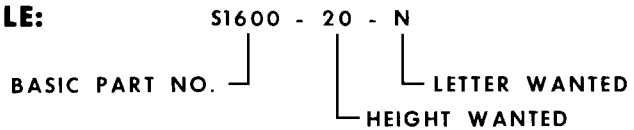
**S1600 TYPE STENCILS *
FOR VERTICAL GOTHIC LETTERS & NUMERALS**

LETTERS AND NUMERALS ARE AVAILABLE IN 6 INCH, 12 INCH AND 20 INCH HEIGHTS. LETTERS AVAILABLE ARE A THRU Z. NUMERALS AVAILABLE ARE 0 THRU 9.

TO ORDER:

EACH LETTER OR NUMERAL WANTED MUST BE ORDERED BY GIVING BASIC PART NUMBER, FOLLOWED BY HEIGHT DESIRED, FOLLOWED BY SPECIFIC LETTER OR NUMERAL WANTED.

EXAMPLE:



* EACH STENCIL PROVIDES FOR EITHER
BACKGROUND OR CENTER MASK.

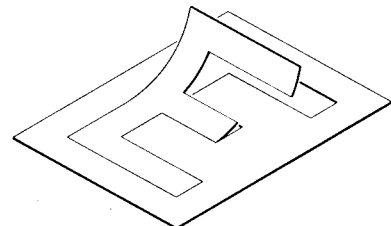
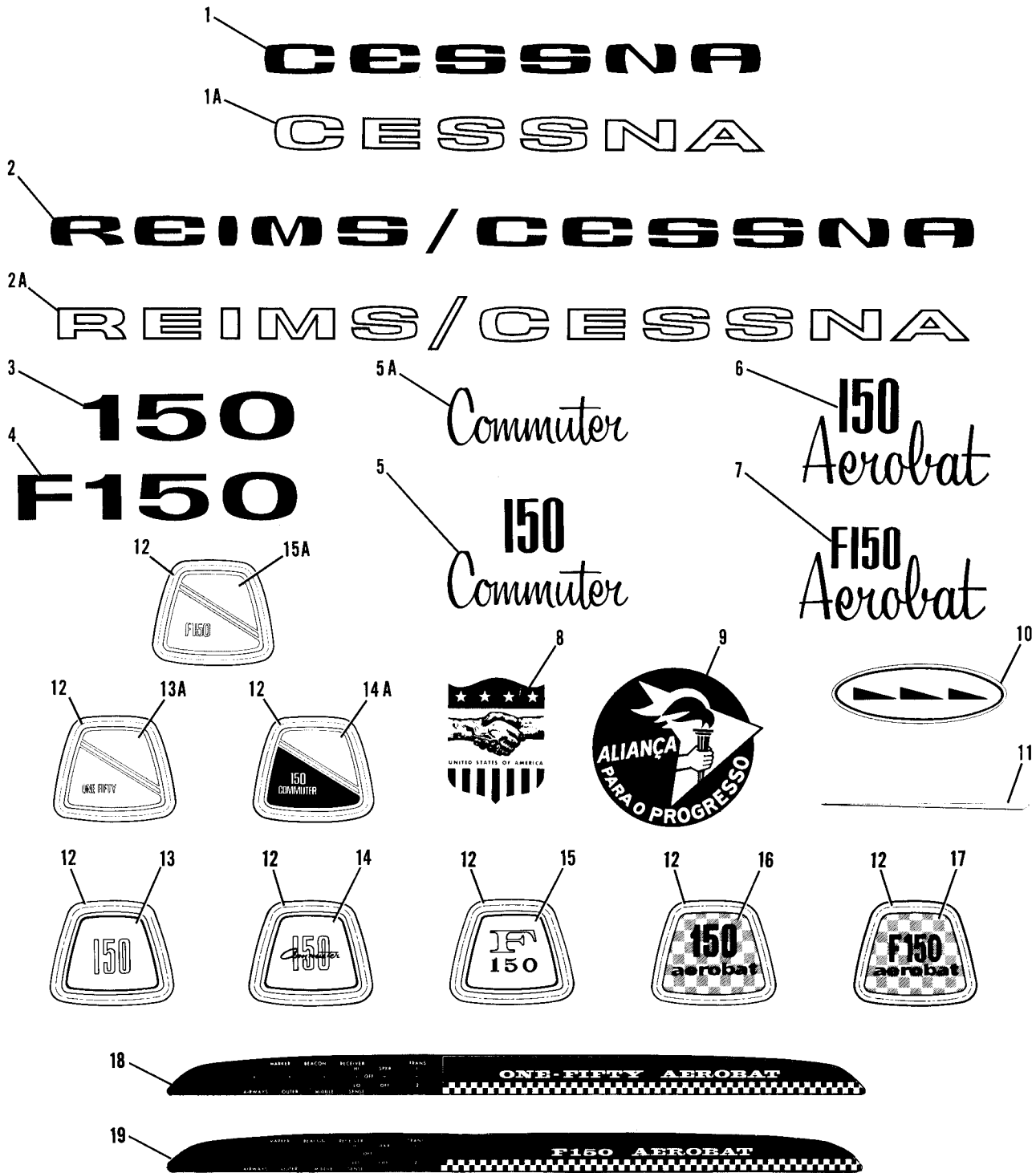


Figure 2. (Sheet 2 of 5) Placards, Nameplates & Exterior Markings

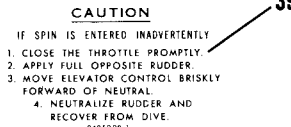
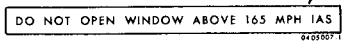
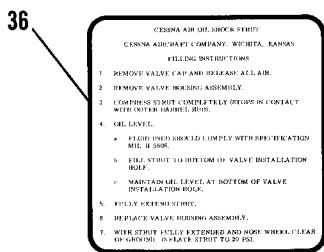
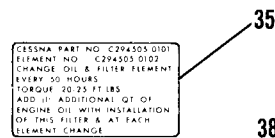
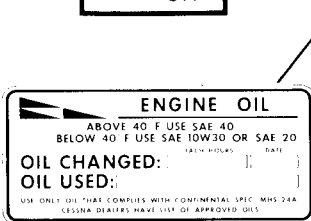
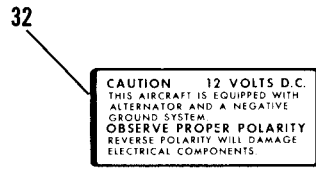
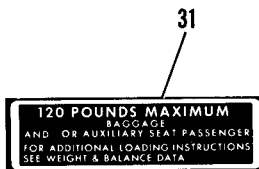
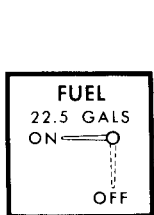
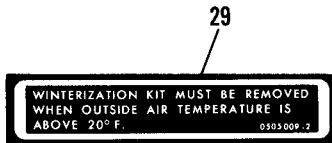
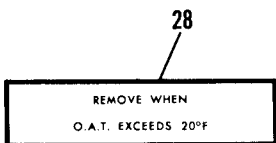
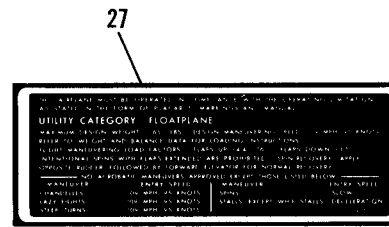
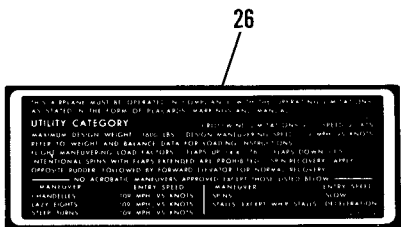
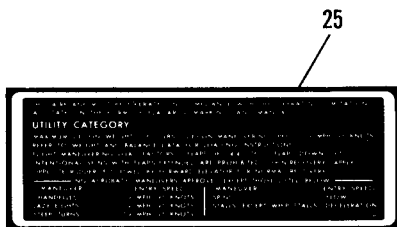
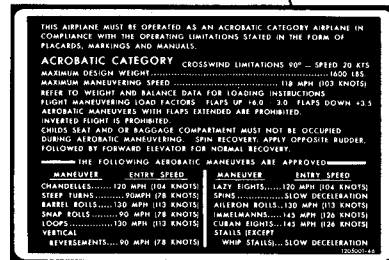
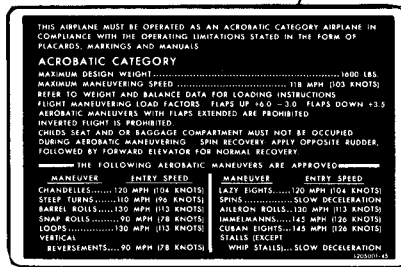
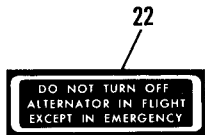
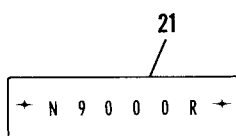
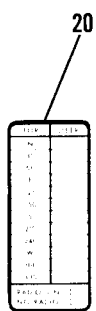
Placards (Cont)



150 SERIAL 15071129 THRU 15073658
 F150 SERIAL F15000530 THRU F15000863
 A150 SERIAL A1500001 THRU A1500342
 FA150 SERIAL FA1500001 THRU FA1500166

Figure 2. (Sheet 3 of 5) Placards, Nameplates & Exterior Markings

Placards (Cont)



150 SERIAL 15071129 THRU 15073658
 F150 SERIAL F15000530 THRU F15000863
 A150 SERIAL A1500001 THRU A1500342
 FA150 SERIAL FA1500001 THRU FA1500166

Figure 2. (Sheet 4 of 5) Placards, Nameplates & Exterior Markings

Placards (Cont)

41
CESSNA

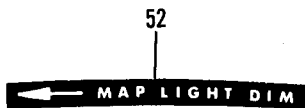
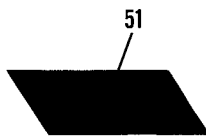
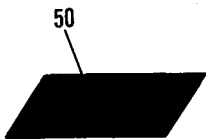
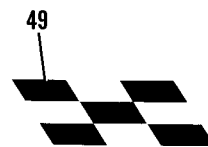
42
REIMS / CESSNA

43
CESSNA 150

45
REIMS CESSNA F150

44
CESSNA 150
Commuter

46
Aerobat



53

CESSNA 150 & A150 CHECK LIST	
BEFORE TAKE-OFF	
1.	Controls - FREE AND CORRECT
2.	Elevator trim - TAKE-OFF
3.	Fuel valve - ON
4.	Carburetor heat - OFF
5.	Mixture - RICH
6.	Flaps - 0°
7.	Instruments - CHECK AND SET
8.	Seats and belts - SECURE
BEFORE LANDING	
1.	Mixture - RICH
2.	Carburetor heat - ON
3.	Airspeed - 75 MPH FLAPS UP 65 MPH FLAPS DOWN

54

CESSNA F150 & FA150 CHECK LIST	
BEFORE TAKE-OFF	
1.	Controls - FREE AND CORRECT
2.	Elevator trim - TAKE-OFF
3.	Fuel valve - ON
4.	Carburetor heat - OFF
5.	Mixture - RICH
6.	Flaps - 0°
7.	Instruments - CHECK AND SET
8.	Seats and belts - SECURE
BEFORE LANDING	
1.	Mixture - RICH
2.	Carburetor heat - ON
3.	Airspeed - 75 MPH FLAPS UP 65 MPH FLAPS DOWN

150 SERIAL 15071129 THRU 15073658
 F150 SERIAL F15000530 THRU F15000863
 A150 SERIAL A1500001 THRU A1500342
 FA150 SERIAL FA1500001 THRU FA1500166

Figure 2. (Sheet 5 of 5) Placards, Nameplates & Exterior Markings



FIGURE AND INDEX NO.	PART NUMBER	DESCRIPTION							UNITS PER ASSY	USABLE ON CODE
		1	2	3	4	5	6	7		
2 -		PLACARDS, NAMEPLATES & EXTERIOR MARKINGS -----							NP	AN
- 1	1505014-1	NAMEPLATE-EXTERIOR CESSNA -----							2	Q
- 1A	1505022-1	NAMEPLATE-EXTERIOR CESSNA -----							2	R
- 2	1505015-10	NAMEPLATE-EXTERIOR REIMS/CESSNA -----							2	B
- 2A	0505024-1	NAMEPLATE-EXTERIOR REIMS/CESSNA -----							2	S
- 3	1505015-1	PLACARD-EXTERIOR 150 -----							2	C
- 4	1505015-2	PLACARD-EXTERIOR F150 -----							2	D
- 5	1505015-3	PLACARD-EXTERIOR 150 COMMUTER -----							2	T
- 5A	0405010-1	PLACARD-EXTERIOR COMMUTER -----							2	R
- 6	1505015-4	PLACARD-EXTERIOR 150 AEROBAT -----							2	E
- 7	1505015-22	PLACARD-EXTERIOR F150 AEROBAT -----							2	V
- 8	S1713-1	PLACARD-HANDS OF FRIENDSHIP -----							1	A
- 9	S1714-1	PLACARD-ALLIANCE FOR PROGRESS -----							1	A
-10	0505012-1	PLACARD-EXTERIOR -----							2	N
	0505012-2	PLACARD-EXTERIOR -----							2	P
-11	0505015-1	PLACARD-WHEEL FAIRING USED ON LH OUTBOARD & RH INBOARD -----							2	N
	0505015-2	PLACARD-WHEEL FAIRING USED ON RH OUTBOARD & LH INBOARD -----							2	N
-12	0505017-1	PLATE-CONTROL WHEEL PLACARD -----							2	
-13	C505021-7	PLACARD-CONTROL WHEEL 150 -----							2	T
-13A	0505025-1	PLACARD-CONTROL WHEEL 150 -----							2	R
	0405017-1	PLACARD-CONTROL WHEEL 150 -----							2	W
-14	C505021-8	PLACARD-CONTROL WHEEL 150 COMMUTER -----							2	T
-14A	0505025-2	PLACARD-CONTROL WHEEL 150 COMMUTER -----							2	R
	0405017-2	PLACARD-CONTROL WHEEL 150 COMMUTER -----							2	W
-15	0505021-10	PLACARD-CONTROL WHEEL F150 -----							2	U
-15A	0505025-3	PLACARD-CONTROL WHEEL F150 -----							2	S
	0405017-3	PLACARD-CONTROL WHEEL F150 -----							2	X
-16	0505021-9	PLACARD-CONTROL WHEEL 150 AEROBAT -----							2	E
	0405017-4	PLACARD-CONTROL WHEEL 150 AEROBAT -----							2	Y
-17	0505021-11	PLACARD-CONTROL WHEEL F150 AEROBAT -----							2	F
-18	C405004-1	PLACARD-INSTRUMENT PANEL 150 AEROBAT -----							1	J
	0405009-1	PLACARD-INSTRUMENT PANEL 150 AEROBAT -----							1	K
	0405004-3	PLACARD-INSTRUMENT PANEL 150 AEROBAT USED WHEN ----- MARK 12B IS INSTALLED WITH VOA-50M INDICATOR.							1	J
	0405009-3	PLACARD-INSTRUMENT PANEL 150 AEROBAT USED WHEN ----- MARK 12B IS INSTALLED WITH VOA-50M INDICATOR.							1	K
-19	0405004-2	PLACARD-INSTRUMENT PANEL F150 AEROBAT -----							1	L
	0405009-2	PLACARD-INSTRUMENT PANEL F150 AEROBAT -----							1	M
-20	0713819-1	CARD-COMPASS CORRECTION -----							1	
-21	0400211-6	PLACARD ASSEMBLY-AIRPLANE IDENTIFICATION -----							1	
-22	0505020-2	PLACARD-MASTER SWITCH -----							1	AA
-23	1205001-45	PLACARD-OPERATIONAL LIMITATIONS A150 -----							1	J
	1205001-69	PLACARD-OPERATIONAL LIMITATIONS A150 VFR & IFR -----							1	K
	1205001-70	PLACARD-OPERATIONAL LIMITATIONS A150 VFR ONLY -----							1	K
-24	1205001-46	PLACARD-OPERATIONAL LIMITATIONS FA150 -----							1	L
	1205001-71	PLACARD-OPERATIONAL LIMITATIONS FA150 VFR & IFR -----							1	M
	1205001-72	PLACARD-OPERATIONAL LIMITATIONS FA150 VFR ONLY -----							1	M
	1205001-73	PLACARD-OPERATIONAL LIMITATIONS FA150 VFR & IFR -----							1	M
	1205001-74	PLACARD-OPERATIONAL LIMITATIONS FA150 VFR ONLY ----- (IN FRENCH)							1	M
-25	1205001-8	PLACARD-OPERATIONAL LIMITATIONS 150 -----							1	T
	1205001-65	PLACARD-OPERATIONAL LIMITATIONS 150 VFR & IFR -----							1	AH
	1205001-66	PLACARD-OPERATIONAL LIMITATIONS 150 VFR ONLY -----							1	AH
-26	1205001-9	PLACARD-OPERATIONAL LIMITATIONS F150 -----							1	U
	1205001-67	PLACARD-OPERATIONAL LIMITATIONS F150 VFR & IFR -----							1	AJ
	1205001-68	PLACARD-OPERATIONAL LIMITATIONS F150 VFR ONLY -----							1	AJ
	1205001-91	PLACARD-OPERATIONAL LIMITATIONS F150 VFR & IFR ----- (IN FRENCH)							1	AJ
	1205001-92	PLACARD-OPERATIONAL LIMITATIONS F150 VFR ONLY ----- (IN FRENCH)							1	AJ
-27	1205001-11	PLACARD-OPERATIONAL LIMITATIONS FLOATPLANE -----							1	G
-28	0552110-1	PLACARD-WINTERIZATION COVER -----							1	
-29	0505009-2	PLACARD-WINTERIZATION -----							1	
-30	0713047	PLACARD-FINISH & TRIM -----							1	
-31	0505007-1	PLACARD-BAGGAGE & GR AUXILIARY SEAT -----							1	
-32	1205024-1	PLACARD-BATTERY BOX -----							1	

CONTINUED ON NEXT PAGE

FIGURE AND INDEX NO.	PART NUMBER	DESCRIPTION							UNITS PER ASSY	USABLE ON CODE
		1	2	3	4	5	6	7		
2 -33	0410218-1	PLATE ASSEMBLY-FUEL INDICATOR	22.5	GALS	-----				1	
	0410218-6	PLATE ASSEMBLY-FUEL INDICATOR	FLOATPLANE	21.5	GALS	---			1	G
	0410218-2	PLATE ASSEMBLY-FUEL INDICATOR	LONG RANGE	35.0	GALS	---			1	
	0410218-7	PLATE ASSY-FUEL IND	LONG RANGE FLOATPLANE	33.5	GALS	---			1	G
-34	S1397-5	PLACARD-ENGINE OIL CHANGE	-----						1	
-35	1250410-3	PLACARD-OIL FILTER	-----						1	
-36	0442145-1	PLACARD-NOSE GEAR SHOCK STRUT	-----						1	
-37	0405003-2	PLACARD-EMERGENCY DOOR RELEASE	-----						1	
-38	0405007-1	PLACARD-WINDOW LIMITATIONS	-----						1	H
-39	0405008-1	PLACARD-SPIN	-----						1	H
	0405008-2	PLACARD-SPIN	-----						1	AM
-40	C622003-0103	PLACARD-STROBE LIGHT	-----						1	Y
	C622003-0105	PLACARD-STROBE LIGHT	-----						1	Z
-41	0405015-1	NAMEPLATE-EXTERIOR	CESSNA						2	AB
-42	0505030-1	NAMEPLATE-EXTERIOR	REIMS/CESSNA						2	Y
-43	0404012-1	PLACARD-EXTERIOR	CESSNA 150						2	AC
-44	0404012-2	PLACARD-EXTERIOR	CESSNA 150 COMMUTER						2	W
-45	0405014-1	PLACARD-EXTERIOR	REIMS CESSNA F150						2	X
-46	0405016-1	PLACARD-EXTERIOR	AEROBAT A150						2	Y
	0405016-2	PLACARD-EXTERIOR	AEROBAT FA150						2	AC
-47	0404013-1	PLACARD-EXTERIOR	-----						2	AE
-48	0405013-1	PLACARD-WHEEL FAIRING	USED ON LH OUTBD & RH INBD						2	AD
-49	0405013-2	PLACARD-WHEEL FAIRING	USED ON RH OUTBD & LH INBD						2	AD
-50	0405013-3	PLACARD-WHEEL FAIRING	USED ON LH OUTBD & RH INBD						2	AK
-51	0405013-4	PLACARD-WHEEL FAIRING	USED ON RH OUTBD & LH INBD						2	AK
-52	1205004-1	PLACARD-MAP LIGHT	-----						1	AL
-53	0405011-1	CHECK LIST-PILOTS	150 & A150 WEU 0405011-6						1	AF
-54	0405011-2	CHECK LIST-PILOTS	F150 & FA150 WEU 0405011-6						1	AG
<p>A---150 SERIAL 15071129 THRU 15073658 A150 SERIAL A1500001 THRU A1500342 B---F150 SERIAL F15000530 THRU F15000658 FA150 SERIAL FA1500001 THRU FA1500121 C---150 SERIAL 15071129 THRU 15072628 D---F150 SERIAL F15000530 THRU F15000738 E---A150 SERIAL A1500001 THRU A1500276 F---FA150 SERIAL FA1500001 FA1500166 G---150 SERIAL 15071129 THRU 15072003 FLOATPLANE F150 SERIAL F15000530 THRU F15000658 FLOATPLANE H---A150 SERIAL A1500001 THRU A1500342 FA150 SERIAL FA1500001 THRU FA1500166 J---A150 SERIAL A1500001 THRU A1500226 K---A150 SERIAL A1500227 THRU A1500342 L---FA150 SERIAL FA1500001 THRU FA1500081 M---FA150 SERIAL FA1500082 THRU FA1500166 N---150 SERIAL 15071129 THRU 15072003 F150 SERIAL F15000530 THRU F15000658 A150 SERIAL A1500001 THRU A1500226 FA150 SERIAL FA1500001 THRU FA1500081 P---150 SERIAL 15072004 THRU 15072628 F150 SERIAL F15000659 THRU F15000738 A150 SERIAL A1500227 THRU A1500276 FA150 SERIAL FA1500082 THRU FA1500121 Q---150 SERIAL 15071129 THRU 15072003 A150 SERIAL A1500001 THRU A1500276 R---150 SERIAL 15072004 THRU 15072628 S---F150 SERIAL F15000659 THRU F15000738 T---150 SERIAL 15071129 THRU 15072003 U---F150 SERIAL F15000530 THRU F15000658 V---FA150 SERIAL FA1500001 THRU FA1500121 W---150 SERIAL 15072629 THRU 15073658 X---F150 SERIAL F15000739 THRU F15000863 Y---A150 SERIAL A1500277 THRU A1500342 Z---150 SERIAL 15072004 THRU 15072628 F150 SERIAL F15000659 THRU F15000738 A150 SERIAL A1500227 THRU A1500276 FA150 SERIAL FA1500082 THRU FA1500166</p>										
<p>CONTINUED ON NEXT PAGE</p>										

FIGURE AND INDEX NO.	PART NUMBER	DESCRIPTION	UNITS PER ASSY	USABLE ON CODE
2 -		<p style="text-align: center;">1 2 3 4 5 6 7</p> <p>AA---150 SERIAL 15071129 THRU 15072628 F150 SERIAL F15000530 THRU F15000738 A150 SERIAL A1500001 THRU A1500276 FA150 SERIAL FA1500001 THRU FA1500121</p> <p>AB---150 SERIAL 15072629 THRU 15073658 F150 SERIAL F15000739 THRU F15000863 A150 SERIAL A1500277 THRU A1500342</p> <p>AC---FA150 SERIAL FA1500122 THRU FA1500166</p> <p>AD---A150 SERIAL A1500277 THRU A1500342 FA150 SERIAL FA1500122 THRU FA1500166</p> <p>AE---150 SERIAL 15072629 THRU 15073658 F150 SERIAL F15000739 THRU F15000863 A150 SERIAL A1500277 THRU A1500342 FA150 SERIAL FA1500122 THRU FA1500166</p> <p>AF---150 SERIAL 15072629 THRU 15073658 A150 SERIAL A1500277 THRU A1500342</p> <p>AG---F150 SERIAL F15000739 THRU F15000863 FA150 SERIAL FA1500122 THRU FA1500166</p> <p>AH---150 SERIAL 15072004 THRU 15073658</p> <p>AJ---F150 SERIAL F15000659 THRU F15000863</p> <p>AK---150 SERIAL 15072629 THRU 15073658 F150 SERIAL F15000739 THRU F15000863</p> <p>AL---150 SERIAL 15072004 THRU 15073658 F150 SERIAL F15000659 THRU F15000863 A150 SERIAL A1500227 THRU A1500342 FA150 SERIAL FA1500082 THRU FA1500166</p> <p>AM---A150 SERIAL A1500001 THRU A1500276 FA150 SERIAL FA1500001 THRU FA1500166</p> <p>AN---150 SERIAL 15071129 THRU 15073658 F150 SERIAL F15000530 THRU F15000863 A150 SERIAL A1500001 THRU A1500342 FA150 SERIAL FA1500001 THRU FA1500166</p>		

Placards (Cont)

1 CESSNA

1A CESSNA

1B CESSNA

2 REIMS/CESSNA

2A REIMS/CESSNA

3 150 commuter

3A 150
COMMUTER

4 one fifty

4A 150

5 F 150

6 *aerobat*

5A F150

5B F150
COMMUTER

6A *Aerobat*

150 SERIAL 15073659 THRU 15075781

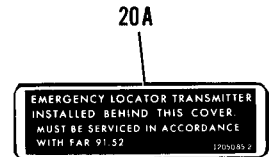
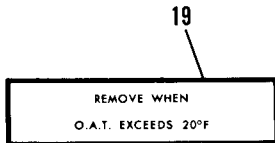
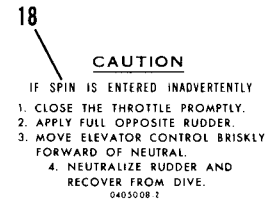
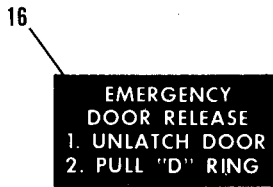
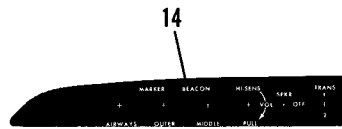
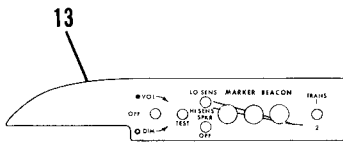
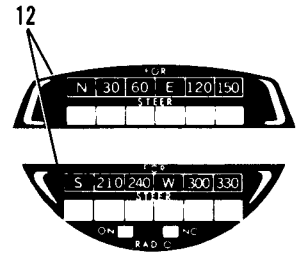
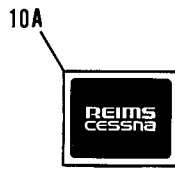
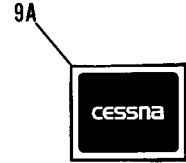
F150 SERIAL F15000864 THRU F15001143

A150 SERIAL A1500343 THRU A1500523

FA150 SERIAL FA1500167 THRU FA1500261

Figure 2A. (Sheet 1 of 3) Placards, Nameplates & Exterior Markings

Placards (Cont)



150 SERIAL 15073659 THRU 15075781
 F150 SERIAL F15000864 THRU F15001143
 A150 SERIAL A1500343 THRU A1500523
 FA150 SERIAL FA1500167 THRU FA1500261

Figure 2A. (Sheet 2 of 3) Placards, Nameplates & Exterior Markings

Placards (Cont)

21

This placard is approved in the utility category and must be operated in accordance with the operating limitations as stated in the form of placards, markings, and manuals.

MAXIMUMS

MAXIMUM TAKE-OFF WEIGHT	1000 lbs. (453.6 kg.)
CRUISE WEIGHT	840 lbs.
FLIGHT LOAD FACTOR	Flaps Up: +3.8, -1.2 Flaps Down: +3.5

NO AEROBAT MANUVERS APPROVED EXCEPT THOSE LISTED BELOW

Maneuver	Max. Entry Speed	Maneuver	Max. Entry Speed
Climb Rate	100 mph (161 kts)	Spin	Slow Deceleration
Loose Flight	100 mph (161 kts)	Stall (except wing stall)	Slow Deceleration
Steepest Turn	100 mph (161 kts)		

Spin Recovery - opposite rudder, forward elevator, neutralize controls. In horizontal spin, with flaps extended as prohibited. Known spin conditions to be avoided. This placard is certified for the following flight operations as of date of original aircraft issuance certificate: DAY NIGHT VFR IFR

22

This placard is approved in the utility category and must be operated in accordance with the operating limitations as stated in the form of placards, markings, and manuals.

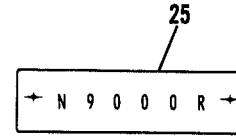
MAXIMUMS

MAXIMUM TAKE-OFF WEIGHT	1000 lbs. (453.6 kg.)
CRUISE WEIGHT	840 lbs.
FLIGHT LOAD FACTOR	Flaps Up: +4.4, -1.6 Flaps Down: +3.5

NO AEROBAT MANUVERS APPROVED EXCEPT THOSE LISTED BELOW

Maneuver	Max. Entry Speed	Maneuver	Max. Entry Speed
Climb Rate	100 mph (161 kts)	Spin	Slow Deceleration
Loose Flight	100 mph (161 kts)	Stall (except wing stall)	Slow Deceleration
Steepest Turn	100 mph (161 kts)		

Spin Recovery - opposite rudder, forward elevator, neutralize controls. In horizontal spin, with flaps extended as prohibited. Known spin conditions to be avoided. This placard is certified for the following flight operations as of date of original aircraft issuance certificate: DAY NIGHT VFR IFR



23

This placard is approved in the utility category and must be operated in accordance with the operating limitations as stated in the form of placards, markings, and manuals.

MAXIMUMS

MAXIMUM TAKE-OFF WEIGHT	1000 lbs. (453.6 kg.)
CRUISE WEIGHT	840 lbs.
FLIGHT LOAD FACTOR	Flaps Up: +4.4, -1.6 Flaps Down: +3.5

Aerobatic manuevers with flaps extended are prohibited. Inverted flight is prohibited. Flapgear compartment and/or cabin seat must not be occupied during aerobatics.

THE FOLLOWING AEROBAT MANUVERS ARE APPROVED

Maneuver	Max. Entry Speed	Maneuver	Max. Entry Speed
Climb Rate	100 mph (161 kts)	Spin	Slow Deceleration
Steepest Turn	100 mph (161 kts)	Stall (except wing stall)	Slow Deceleration
Roll Rate	100 mph (161 kts)		
Adverse Yaw	100 mph (161 kts)		
Steepest Dive	100 mph (161 kts)		
Loose Flight	100 mph (161 kts)		
Vertical	100 mph (161 kts)		
Reversely	100 mph (161 kts)		

Spin Recovery - opposite rudder, forward elevator, neutralize controls. In horizontal spin, with flaps extended as prohibited. Known spin conditions to be avoided. This placard is certified for the following flight operations as of date of original aircraft issuance certificate: DAY NIGHT VFR IFR

24

This placard is approved in the utility category and must be operated in accordance with the operating limitations as stated in the form of placards, markings, and manuals.

MAXIMUMS

MAXIMUM TAKE-OFF WEIGHT	1000 lbs. (453.6 kg.)
CRUISE WEIGHT	840 lbs.
FLIGHT LOAD FACTOR	Flaps Up: +4.4, -1.6 Flaps Down: +3.5

Aerobatic manuevers with flaps extended are prohibited. Inverted flight is prohibited. Flapgear compartment and/or cabin seat must not be occupied during aerobatics.

THE FOLLOWING AEROBAT MANUVERS ARE APPROVED

Maneuver	Max. Entry Speed	Maneuver	Max. Entry Speed
Climb Rate	100 mph (161 kts)	Spin	Slow Deceleration
Steepest Turn	100 mph (161 kts)	Stall (except wing stall)	Slow Deceleration
Roll Rate	100 mph (161 kts)		
Adverse Yaw	100 mph (161 kts)		
Steepest Dive	100 mph (161 kts)		
Loose Flight	100 mph (161 kts)		
Vertical	100 mph (161 kts)		
Reversely	100 mph (161 kts)		

Spin Recovery - opposite rudder, forward elevator, neutralize controls. In horizontal spin, with flaps extended as prohibited. Known spin conditions to be avoided. This placard is certified for the following flight operations as of date of original aircraft issuance certificate: DAY NIGHT VFR IFR

27

CENNA AIR OIL CHECK STROU
CENNA AIRCRAFT COMPANY, WICHITA, KANAS
FILLING INSTRUCTIONS

- REMOVE VALVE CAP AND RELEASE ALL AIR.
- REMOVE VALVE HOUSING ASSEMBLY.
- COMPRESSION STROU COMPLETELY BOTTOM IN CONTACT WITH OIL IN BARREL HOUSING.
- OIL LEVEL.
- FLUID USED SHOULD COMPLY WITH SPECIFICATION MIL-PRC-1688.
- FILL STROU TO BOTTOM OF VALVE INSTALLATION HOSE.
- MAINTAIN OIL LEVEL AT BOTTOM OF VALVE INSTALLATION HOSE.
- FULLY EXTEND STROU.
- REPLACE VALVE HOUSING ASSEMBLY.
- WITH STROU FULLY EXTENDED AND NOSE WHEEL CLEAR OF GROUND, INFLATE STROU TO 30 PSI.

28

WARNING
TURN OFF STROBE LIGHTS WHEN TAXIING IN VICINITY OF OTHER AIRCRAFT, OR DURING FLIGHT THROUGH CLOUDS, FOG OR HAZE.

C422002-0103

29

CAUTION 12 VOLTS D.C.
THIS AIRCRAFT IS EQUIPPED WITH ALTERNATOR AND A NEGATIVE GROUND SYSTEM.
OBSERVE PROPER POLARITY
REVERSE POLARITY WILL DAMAGE ELECTRICAL COMPONENTS.

30

120 POUNDS MAXIMUM
BAGGAGE
AND/OR AUXILIARY SEAT PASSENGER
FOR ADDITIONAL LOADING INSTRUCTIONS SEE WEIGHT & BALANCE DATA

31

ENGINE OIL
ABOVE 40°F USE SAE 40
BELOW 40°F USE SAE 10W30 OR SAE 20

OIL CHANGED: _____
OIL USED: _____

USE ONLY OIL THAT COMPLIES WITH CONTINENTAL SPEC. SMS 24A
CESSNA DEALERS HAVE LIST OF APPROVED OILS

32

CESSNA PART NO. C294305-0101
ELEMENT NO. C294305-0102
CHANGE OIL & FILTER ELEMENT EVERY 50 HOURS
TORQUE 20-25 FT. LBS.
ADD IF ADDITIONAL QT. OF ENGINE OIL WITH INSTALLATION OF THIS FILTER & AT EACH ELEMENT CHANGE

33

FUEL
22.5 GALS
ON — OFF

34

CESSNA 150 & A150 CHECK LIST

BEFORE TAKE-OFF

- Controls - FREE AND CORRECT
- Elevator trim - TAKE-OFF
- Fuel valve - ON
- Carburetor heat - OFF
- Mixture - RICH
- Flaps - 0°
- Instruments - CHECK AND SET
- Seats and belts - SECURE

BEFORE LANDING

- Mixture - RICH
- Carburetor heat - ON
- Airspeed - 75 MPH FLAPS UP
65 MPH FLAPS DOWN

C405011-1

35

CESSNA F150 & FA150 CHECK LIST

BEFORE TAKE-OFF

- Controls - FREE AND CORRECT
- Elevator trim - TAKE-OFF
- Fuel valve - ON
- Carburetor heat - OFF
- Mixture - RICH
- Flaps - 0°
- Instruments - CHECK AND SET
- Seats and belts - SECURE

BEFORE LANDING

- Mixture - RICH
- Carburetor heat - ON
- Airspeed - 75 MPH FLAPS UP
65 MPH FLAPS DOWN

C405011-2

36

150 AND AEROBAT CHECK LIST

BEFORE TAKE-OFF

- Controls - FREE AND CORRECT
- Elevator trim - TAKE-OFF
- Fuel valve - ON
- Carburetor heat - OFF
- Mixture - RICH
- Flaps - 0°
- Instruments - CHECK AND SET
- Seats and belts - SECURE

BEFORE LANDING

- Mixture - RICH
- Carburetor heat - ON
- Airspeed - 75 MPH FLAPS UP
65 MPH FLAPS DOWN

C405011-3

150 SERIAL 15073659 THRU 15075781
F150 SERIAL F15000864 THRU F15001143
A150 SERIAL A1500343 THRU A1500523
FA150 SERIAL FA1500167 THRU FA1500261
Figure 2A. (Sheet 3 of 3) Placards, Nameplates & Exterior Markings



FIGURE AND INDEX NO.	PART NUMBER	DESCRIPTION							UNITS PER ASSY	USABLE ON CODE
		1	2	3	4	5	6	7		
2A-		PLACARDS, NAMEPLATES & EXTERIOR MARKINGS -----							NP	A
- 1	0405020-2	NAMEPLATE-EXTERIOR CESSNA -----							2	N
	0405020-1	NAMEPLATE-EXTERIOR CESSNA -----							2	Q
- 1A	0405028-1	NAMEPLATE-EXTERIOR CESSNA -----							2	P
- 1B	0405028-2	NAMEPLATE-EXTERIOR CESSNA -----							2	R
- 2	0405022-1	NAMEPLATE-EXTERIOR REIMS/CESSNA -----							2	S
	0405022-2	NAMEPLATE-EXTERIOR REIMS/CESSNA -----							2	U
- 2A	0405029-1	NAMEPLATE-EXTERIOR REIMS/CESSNA -----							2	M
- 3	0405024-1	PLACARD-EXTERIOR 150 COMMUTER -----							2	N
- 3A	0405030-2	PLACARD-EXTERIOR 150 COMMUTER -----							2	P
- 4	0405023-1	PLACARD-EXTERIOR ONE FIFTY -----							2	N
- 4A	0405030-1	PLACARD-EXTERIOR ONE FIFTY -----							2	P
- 5	0405025-1	PLACARD-EXTERIOR F150 -----							2	S
- 5A	0405030-3	PLACARD-EXTERIOR F150 -----							2	T
- 5B	0405030-5	PLACARD-EXTERIOR F150 COMMUTER -----							2	T
- 6	0405021-1	PLACARD-EXTERIOR AEROBAT -----							2	V
- 6A	0405030-4	PLACARD-EXTERIOR AEROBAT -----							2	W
- 7	S1714-1	PLACARD-ALLIANCE FOR PROGRESS -----							1	G
- 8	S1713-1	PLACARD-HANDS CF FRIENDSHIP -----							1	G
- 9	0405018-1	NAMEPLATE-CONTROL WHEEL -----							2	J
- 9A	0405027-1	NAMEPLATE-CONTROL WHEEL -----							2	L
-10	0405018-2	NAMEPLATE-CONTROL WHEEL -----							2	K
-10A	0405027-2	NAMEPLATE-CONTROL WHEEL -----							2	M
-11	1205004-1	PLACARD-MAP LIGHT DIM -----							1	
-12	0400213-6	PLACARD SET-COMPASS CORRECTION -----							1	
-13	0405026-1	PLACARD-INSTRUMENT PANEL LH SIDE -----							1	X
-14	0405009-5	PLACARD-INSTRUMENT PANEL LH SIDE -----							1	V
-15	0405009-6	PLACARD-INSTRUMENT PANEL 150 AEROBAT -----							1	D
	0405009-8	PLACARD-INSTRUMENT PANEL FRA150 AEROBAT -----							1	E
-16	0405003-2	PLACARD-EMERGENCY DOOR RELEASE -----							1	F
-17	0405007-1	PLACARD-WINDOW LIMITATIONS -----							1	F
-18	0405008-2	PLACARD-SPIN -----							1	F
-19	0552110-1	PLACARD-WINTERIZATION COVER WEU 0552110-3 -----							1	H
	0552110-3	PLACARD-WINTERIZATION COVER -----							1	X
-20	0505009-2	PLACARD-WINTERIZATION WHITE LETTERS -----							1	H
	0505009-3	PLACARD-WINTERIZATION BLACK LETTERS -----							1	X
-20A	1205085-2	PLACARD-EMERGENCY LOCATOR TRANSMITTER -----							1	
-21	1205001-65	PLACARD-OPERATIONAL LIMITATIONS 150 VFR & IFR -----							1	B
	1205001-66	PLACARD-OPERATIONAL LIMITATIONS 150 DAY & NIGHT VFR -----							1	B
	1205001-141	PLACARD-OPERATIONAL LIMITATIONS 150 DAY VFR -----							1	B
-22	1205001-67	PLACARD-OPERATIONAL LIMITATIONS F150 VFR & IFR -----							1	C
	1205001-68	PLACARD-OPERATIONAL LIMITATIONS F150 DAY & NIGHT VFR -----							1	C
	1205001-143	PLACARD-OPERATIONAL LIMITATIONS F150 DAY VFR -----							1	C
	1205001-91	PLACARD-OPERATIONAL LIMITATIONS F150 VFR & IFR -----							1	C
		(IN FRENCH)								
	1205001-92	PLACARD-OPERATIONAL LIMITATIONS F150 DAY & NIGHT VFR -----							1	C
		(IN FRENCH)								
	1205001-144	PLACARD-OPERATIONAL LIMITATIONS F150 DAY VFR -----							1	C
		(IN FRENCH)								
-23	1205001-69	PLACARD-OPERATIONAL LIMITATIONS A150 VFR & IFR -----							1	D
	1205001-70	PLACARD-OPERATIONAL LIMITATIONS A150 DAY & NIGHT VFR -----							1	D
	1205001-142	PLACARD-OPERATIONAL LIMITATIONS A150 DAY VFR -----							1	D
-24	1205001-71	PLACARD-OPERATIONAL LIMITATIONS FA150 VFR & IFR -----							1	E
	1205001-72	PLACARD-OPERATIONAL LIMITATIONS FA150 DAY & NIGHT VFR -----							1	E
	1205001-145	PLACARD-OPERATIONAL LIMITATIONS FA150 DAY VFR -----							1	E
	1205001-93	PLACARD-OPERATIONAL LIMITATIONS FA150 VFR & IFR -----							1	E
		(IN FRENCH)								
	1205001-94	PLACARD-OPERATIONAL LIMITATIONS FA150 DAY & NIGHT VFR -----							1	E
		(IN FRENCH)								
	1205001-146	PLACARD-OPERATIONAL LIMITATIONS FA150 DAY VFR -----							1	E
		(IN FRENCH)								
-25	0400211-6	PLACARD ASSEMBLY-AIRPLANE IDENTIFICATION -----							1	
-26	0713047	PLACARD-FINISH & TRIM -----							1	
-27	0442145-1	PLACARD-NOSE GEAR SHOCK STRUT -----							1	
-28	C622003-0105	PLACARD-STROBE LIGHT -----							1	
-29	1205024-1	PLACARD-BATTERY BOX -----							1	
-30	0505007-1	PLACARD-BAGGAGE & OR AUXILIARY SEAT -----							1	

CONTINUED ON NEXT PAGE

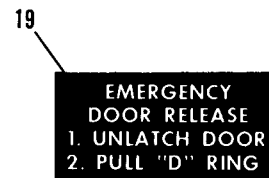
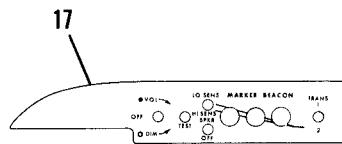
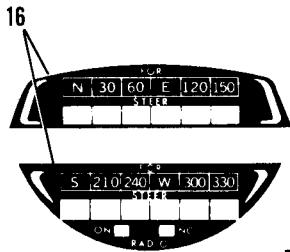
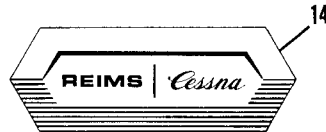
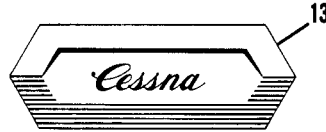
FIGURE AND INDEX NO.	PART NUMBER	DESCRIPTION	UNITS PER ASSY	USABLE ON CODE
2A-31	S1397-5	PLACARD-ENGINE OIL CHANGE -----	1	
-32	1250410-3	PLACARD-OIL FILTER -----	1	
-33	0410218-10	PLATE ASSEMBLY-FUEL INDICATOR 22.5 GALS -----	1	
	0410218-12	PLATE ASSEMBLY-FUEL INDICATOR LONG RANGE 35.0 GALS ----	1	
-34	0405011-1	CHECK LIST ASSEMBLY-PILOT WEU 0405011-6 -----	1	J
-35	0405011-2	CHECK LIST ASSEMBLY-PILOT WEU 0405011-6 -----	1	K
-36	0405011-6	CHECK LIST ASSEMBLY-PILOT -----	1	X
	S1500	STENCIL-SLANT LETTERS & NUMERALS SEE SHT 1 & 2 FIG 2 -----	AR	
	S1600	STENCILS-VERTICAL LETTERS & NUMERALS SEE SHEET 1 & 2 FIG 2 -----	AR	
		A---150 SERIAL 15073659 THRU 15075781 F150 SERIAL F15000864 THRU F15001143 A150 SERIAL A1500343 THRU A1500523 FA150 SERIAL FA1500167 THRU FA1500261		
		B---150 SERIAL 15073659 THRU 15075781		
		C---F150 SERIAL F15000864 THRU F15001143		
		D---A150 SERIAL A1500343 THRU A1500523		
		E---FA150 SERIAL FA1500167 THRU FA1500261		
		F---A150 SERIAL A1500343 THRU A1500523 FA150 SERIAL FA1500167 THRU FA1500261		
		G---150 SERIAL 15073659 THRU 15075781 A150 SERIAL A1500343 THRU A1500523		
		H---150 SERIAL 15073659 THRU 15074850 F150 SERIAL F15000864 THRU F15001013 A150 SERIAL A1500343 THRU A1500429 FA150 SERIAL FA1500167 THRU FA1500211		
		J---150 SERIAL 15073659 THRU 15074850 A150 SERIAL A1500343 THRU A1500429		
		K---F150 SERIAL F15000864 THRU F15001013 FA150 SERIAL FA1500167 THRU FA1500211		
		L---150 SERIAL 15074851 THRU 15075781 A150 SERIAL A1500430 THRU A1500523		
		M---F150 SERIAL F15001014 THRU F15001143 FA150 SERIAL FA1500212 THRU FA1500261		
		N---150 SERIAL 15073659 THRU 15074850		
		P---150 SERIAL 15074851 THRU 15075781		
		Q---A150 SERIAL A1500343 THRU A1500429		
		R---A150 SERIAL A1500430 THRU A1500523		
		S---F150 SERIAL F1500864 THRU F15001013		
		T---F150 SERIAL F15001014 THRU F15001143		
		U---FA150 SERIAL FA1500167 THRU FA1500211		
		V---A150 SERIAL A1500343 THRU A1500429 FA150 SERIAL FA1500167 THRU FA1500211		
		W---A150 SERIAL A1500430 THRU A1500523 FA150 SERIAL FA1500212 THRU FA1500261		
		X---150 SERIAL 15074851 THRU 15075781 F150 SERIAL F15001014 THRU F15001143 A150 SERIAL A1500430 THRU A1500523 FA150 SERIAL FA1500212 THRU FA1500261		



FIGURE AND INDEX NO.	PART NUMBER	DESCRIPTION							UNITS PER ASSY	USABLE ON CODE
		1	2	3	4	5	6	7		
2B-		PLACARDS, NAMEPLATES & EXTERIOR MARKINGS -----							NP	A
- 1	0405037-1	NAMEPLATE-EXTERIOR CESSNA BLACK LETTERS -----							2	
- 2	0405037-2	NAMEPLATE-EXTERIOR CESSNA WHITE LETTERS -----							2	
- 3	0405037-3	NAMEPLATE-EXTERIOR LH REIMS/CESSNA BLACK LETTERS -----							1	
	0405037-4	NAMEPLATE-EXTERIOR RH REIMS/CESSNA BLACK LETTERS -----							1	
- 4	0405037-5	NAMEPLATE-EXTERIOR LH REIMS/CESSNA WHITE LETTERS -----							1	
	0405037-6	NAMEPLATE-EXTERIOR RH REIMS/CESSNA WHITE LETTERS -----							1	
- 5	0405036-5	PLACARD-EXTERIOR LH 150 COMMUTER -----							1	
	0405036-6	PLACARD-EXTERIOR RH 150 COMMUTER -----							1	
- 6	0405036-9	PLACARD-EXTERIOR LH 150 COMMUTER II -----							1	
	0405036-10	PLACARD-EXTERIOR RH 150 COMMUTER II -----							1	
- 7	0405036-7	PLACARD-EXTERIOR LH F150 COMMUTER -----							1	
	0405036-8	PLACARD-EXTERIOR RH F150 COMMUTER -----							1	
- 8	0405036-3	PLACARD-EXTERIOR 150 BLACK LETTERS -----							2	
	0405036-4	PLACARD-EXTERIOR 150 WHITE LETTERS -----							2	
- 9	0405036-2	PLACARD-EXTERIOR F150 -----							2	
-10	0405036-1	PLACARD-EXTERIOR AEROBAT -----							2	
-11	S1714-1	PLACARD-ALLIANCE FOR PROGRESS -----							1	
-12	S1713-1	PLACARD-HANDS CF FRIENDSHIP -----							1	
-13	0405031-1	EMBLEM-CONTROL WHEEL -----							AR	B
-14	0405031-2	EMBLEM-CONTROL WHEEL -----							2	C
-15	1205004-1	PLACARD-MAP LIGHT -----							1	
-16	0400213-6	PLACARD SET-COMPASS CORRECTION -----							1	
-17	0405026-1	PLACARD-INSTRUMENT PANEL LH SIDE -----							1	
-18	0405009-6	PLACARD-INSTRUMENT PANEL 150 AEROBAT -----							1	D
	0405009-8	PLACARD-INSTRUMENT PANEL FA150 AEROBAT -----							1	E
-19	0405003-2	PLACARD-EMERGENCY DOOR RELEASE -----							2	F
-20	0405007-1	PLACARD-WINDOW LIMITATIONS -----							2	F
-20A	0405033-1	PLACARD-GLIDER TOW HOOK -----							1	
-21	0405008-2	PLACARD-SPIN -----							1	F

CONTINUED ON NEXT PAGE

Placards (Cont)



150 SERIAL 15075782 THRU 15077005
 F150 SERIAL F15001144 THRU F15001248
 A150 SERIAL A1500524 THRU A1500609
 FA150 SERIAL FA1500262 THRU FA1500281

Figure 2B. (Sheet 1 of 2) Placards, Nameplates & Exterior Markings

Placards (Cont)

20A

MAX GROSS WT OF GLIDER 917 LBS

0402032-1

21

CAUTION

IF SPIN IS ENTERED INADVERTENTLY

1. CLOSE THE THROTTLE PROMPTLY.
2. APPLY FULL OPPOSITE RUDDER.
3. MOVE ELEVATOR CONTROL BRISKLY FORWARD OF NEUTRAL.
4. NEUTRALIZE RUDDER AND RECOVER FROM DIVE.

0403008-7

22

REMOVE WHEN O.A.T. EXCEEDS 20°F

23

WINTERIZATION KIT MUST BE REMOVED WHEN OUTSIDE AIR TEMPERATURE IS ABOVE 20° F.

0303009-3

20

DO NOT OPEN WINDOW ABOVE 165 MPH IAS

0406097

24

This airplane is approved in the utility category and must be operated in compliance with the operating limitations as stated in the form of placards, markings, and manuals.

MAXIMUMS

MAINT LIFT (WING-SPREAD)	1300 lbs.	MAX. GROSS WT (GROSS WEIGHT)	1600 lbs.
FLIGHT LOAD FACTOR	4.4:1	FLIGHT UP	1.7g
		FLIGHT DOWN	1.5g

FORWARD

— NO AEROBAT, MANUVER, APPROVED EXCEPT THOSE LISTED BELOW —

Maneuver	Max. Entry Speed	Maneuver	Max. Entry Speed
Climb Rate	100 mph (100 kts)	Turn	Slow Deceleration
Loop Entry	100 mph (100 kts)	Stalls (except wing stall)	Slow Deceleration
Steeep Turns	100 mph (100 kts)	Wing Stall	

Spin Recovery - opposite rudder, forward elevator, neutralize controls. In inverted spins with flaps extended are prohibited. Forward slip conditions to be avoided. This airplane is certified for the following flight operations as of latest approved amendments, certificate: DAY, NIGHT, VFR, IFR.

25

This airplane is approved in the utility category and must be operated in compliance with the operating limitations as stated in the form of placards, markings, and manuals.

MAXIMUMS

MAINT LIFT (WING-SPREAD)	1300 lbs.	MAX. GROSS WT (GROSS WEIGHT)	1600 lbs.
FLIGHT LOAD FACTOR	4.4:1	FLIGHT UP	1.7g
		FLIGHT DOWN	1.5g

FORWARD

— NO AEROBAT, MANUVER, APPROVED EXCEPT THOSE LISTED BELOW —

Maneuver	Max. Entry Speed	Maneuver	Max. Entry Speed
Climb Rate	100 mph (100 kts)	Turn	Slow Deceleration
Loop Entry	100 mph (100 kts)	Stalls (except wing stall)	Slow Deceleration
Steeep Turns	100 mph (100 kts)	Wing Stall	

Spin Recovery - opposite rudder, forward elevator, neutralize controls. In inverted spins with flaps extended are prohibited. Forward slip conditions to be avoided. This airplane is certified for the following flight operations as of latest approved amendments, certificate: DAY, NIGHT, VFR, IFR.

26

This airplane is approved in the aerobatic category and must be operated in compliance with the operating limitations as stated in the form of placards, markings, and manuals.

MAXIMUMS

MAINT LIFT (WING-SPREAD)	1300 lbs.	MAX. GROSS WT (GROSS WEIGHT)	1600 lbs.
FLIGHT LOAD FACTOR	4.4:1	FLIGHT UP	1.7g
		FLIGHT DOWN	1.5g

THE FOLLOWING AEROBATIC MANUVERS ARE APPROVED

Maneuver	Max. Entry Speed	Maneuver	Max. Entry Speed
Climb Rate	120 mph (120 kts)	Turn	120 mph (120 kts)
Steeep Turns	120 mph (120 kts)	Stalls (except wing stall)	Slow Deceleration
Roll Rate	120 mph (120 kts)	Rollback Rate	120 mph (120 kts)
Loop Entry	120 mph (120 kts)	Maneuver	120 mph (120 kts)
Steeep Turns	120 mph (120 kts)	Stalls (except wing stall)	Slow Deceleration
Vertical	120 mph (120 kts)	Stalls (except wing stall)	Slow Deceleration
Deceleration	120 mph (120 kts)	Stalls (except wing stall)	Slow Deceleration

Spin Recovery - opposite rudder, forward elevator, neutralize controls. In inverted spins with flaps extended are prohibited. Forward slip conditions to be avoided. This airplane is certified for the following flight operations as of latest approved amendments, certificate: DAY, NIGHT, VFR, IFR.

27

This airplane is approved in the aerobatic category and must be operated in compliance with the operating limitations as stated in the form of placards, markings, and manuals.

MAXIMUMS

MAINT LIFT (WING-SPREAD)	1300 lbs.	MAX. GROSS WT (GROSS WEIGHT)	1600 lbs.
FLIGHT LOAD FACTOR	4.4:1	FLIGHT UP	1.7g
		FLIGHT DOWN	1.5g

FORWARD

— NO AEROBAT, MANUVER, APPROVED EXCEPT THOSE LISTED BELOW —

Maneuver	Max. Entry Speed	Maneuver	Max. Entry Speed
Climb Rate	120 mph (120 kts)	Turn	120 mph (120 kts)
Steeep Turns	120 mph (120 kts)	Stalls (except wing stall)	Slow Deceleration
Roll Rate	120 mph (120 kts)	Rollback Rate	120 mph (120 kts)
Loop Entry	120 mph (120 kts)	Maneuver	120 mph (120 kts)
Steeep Turns	120 mph (120 kts)	Stalls (except wing stall)	Slow Deceleration
Vertical	120 mph (120 kts)	Stalls (except wing stall)	Slow Deceleration
Deceleration	120 mph (120 kts)	Stalls (except wing stall)	Slow Deceleration

Spin Recovery - opposite rudder, forward elevator, neutralize controls. In inverted spins with flaps extended are prohibited. Forward slip conditions to be avoided. This airplane is certified for the following flight operations as of latest approved amendments, certificate: DAY, NIGHT, VFR, IFR.

28

N 9000R

29

FINISH & TRIM

30

CENNA AIR OIL CHECK STRUT

CENNA AIRCRAFT COMPANY, WICHTA, KANSAS

FILLING INSTRUCTIONS

1. REMOVE VALVE CAP AND RELIEVE AIR.
2. REMOVE VALVE HOUSING ASSEMBLY.
3. COMPRESS STRUT COMPLETELY (STOP IN CONTACT WITH OUTER BARRER RUB).
4. OIL LEVEL:

 - a. FLUID USED SHOULD COMPLY WITH SPECIFICATION.
 - b. FILL STRUT TO LEVEL OF VALVE INSTALLATION MARK.
 - c. MAINTAIN OIL LEVEL AT BOTTOM OF VALVE INSTALLATION MARK.

5. FULLY EXTEND STRUT.
6. REPLACE VALVE HOUSING ASSEMBLY.
7. WITH STRUT HELDS EXTENDED AND NOSE WHEEL CLEAR OF GROUND, INFLATE STRUT TO 32 PSI.

31

WARNING

TURN OFF STROBE LIGHTS WHEN TAKING IN VICINITY OF OTHER AIRCRAFT, OR DURING FLIGHT THROUGH CLOUDS, FOG OR HAZE.

0422023-103

32

CAUTION

12 VOLTS D.C. THIS AIRCRAFT IS EQUIPPED WITH ALTERNATOR AND A NEGATIVE GROUND SYSTEM. OBSERVE PROPER POLARITY. REVERSE POLARITY WILL DAMAGE ELECTRICAL COMPONENTS.

33

120 POUNDS MAXIMUM BAGGAGE AND/OR AUXILIARY SEAT PASSENGER FOR ADDITIONAL LOADING INSTRUCTIONS, SEE WEIGHT & BALANCE DATA.

34

ENGINE OIL

ABOVE 40°F USE SAE 40
BELOW 40°F USE SAE 10W30 OR SAE 20

OIL CHANGED: _____ DATE: _____

OIL USED: _____

USE ONLY OIL THAT COMPLIES WITH CONTINENTAL SPEC. MHS 24A. CESSNA DEALERS HAVE LIST OF APPROVED OILS.

35

CENNA PART NO. C29455 010
ELEMENT NO. C29455 012
CHANGE OIL & FILTER ELEMENT EVERY 50 HOURS
TORQUE 70-75 FT LBS
ADD (1) ADDITIONAL QT OF ENGINE OIL WITH INSTALLATION OF THIS FILTER & AT EACH ELEMENT CHANGE.

36

FUEL

22.5 GALS

ON OFF

37

PILOT'S CHECKLIST

NORMAL PROCEDURES

38

PILOT'S CHECKLIST

NORMAL PROCEDURES

39

150 AND AEROBAT CHECK LIST

BEFORE TAKE-OFF

1. Controls - FREE AND CORRECT
2. Elevator trim - TAKE-OFF
3. Fuel valve - ON
4. Carburetor heat - OFF
5. Mixture - RICH
6. Flaps - 0°
7. Instruments - CHECK AND SET
8. Seats and belts - SECURE

BEFORE LANDING

1. Mixture - RICH
2. Carburetor heat - ON
3. Airspeed - 75 MPH FLAPS UP
65 MPH FLAPS DOWN

0405014

40

EMERGENCY LOCATOR TRANSMITTER

INSTALLED BEHIND THIS COVER
MUST BE SERVICED IN ACCORDANCE WITH FAR 91.52

100000-1

150 SERIAL 15075782 THRU 15077005

F150 SERIAL F15001144 THRU F15001248

A150 SERIAL A1500524 THRU A1500609

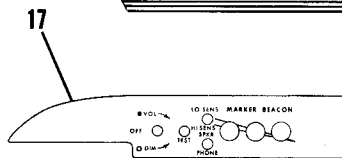
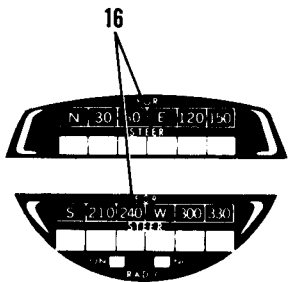
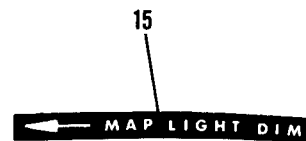
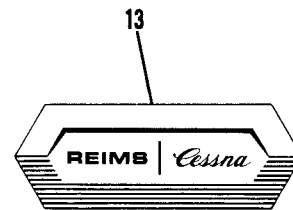
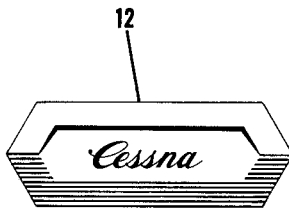
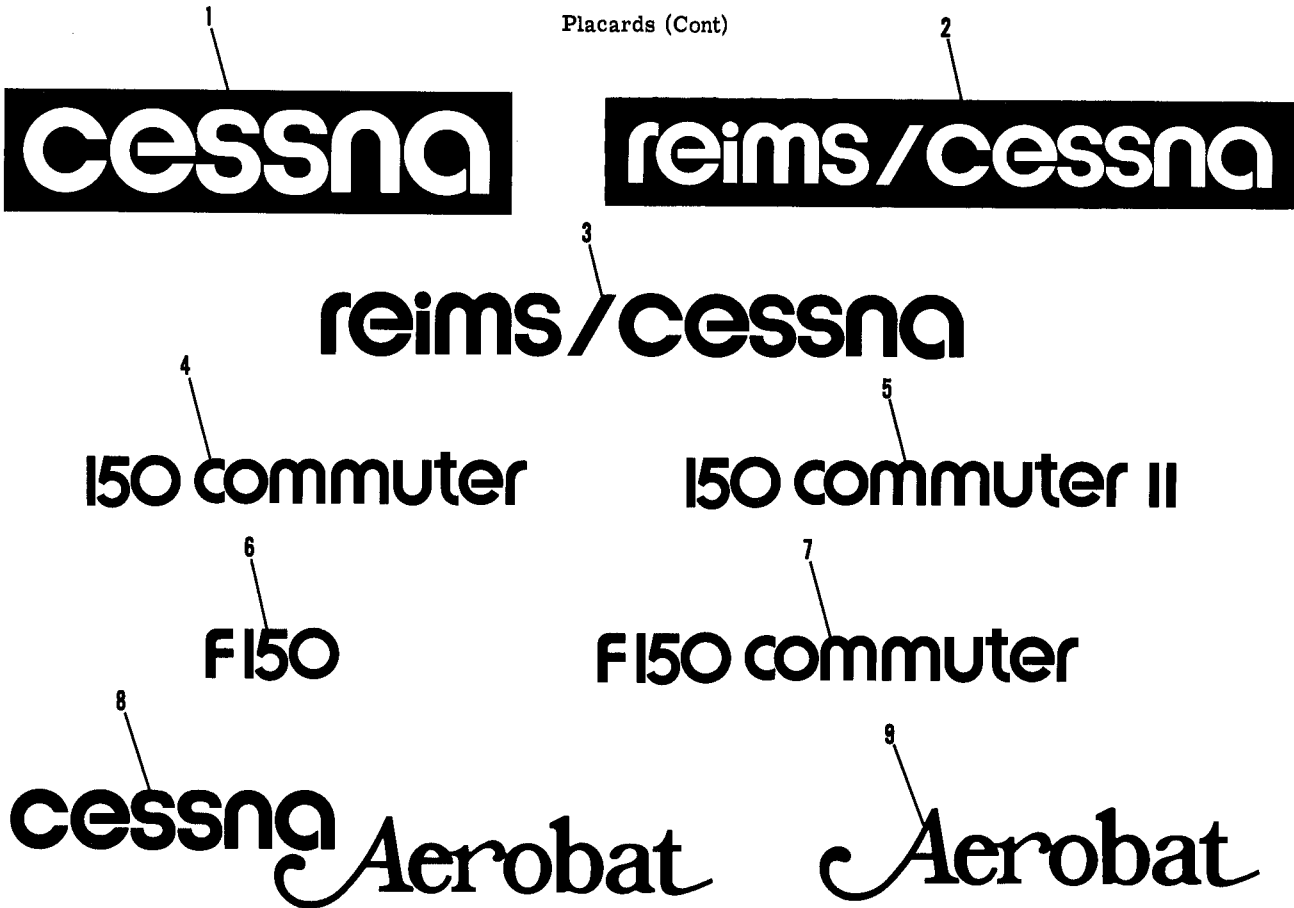
FA150 SERIAL FA1500262 THRU FA1500281

Figure 2B. (Sheet 2 of 2) Placards, Nameplates & Exterior Markings

FIGURE AND INDEX NO.	PART NUMBER	DESCRIPTION	UNITS PER ASSY	USABLE ON CODE
28-22	0552110-3	PLACARD-WINTERIZATION COVER -----	2	
-23	0505009-3	PLACARD-WINTERIZATION -----	1	
-24	1205001-65	PLACARD-OPERATIONAL LIMITATIONS 150 VFR & IFR -----	1	G
	1205001-66	PLACARD-OPERATIONAL LIMITATIONS 150 DAY & NIGHT VFR -----	1	G
	1205001-141	PLACARD-OPERATIONAL LIMITATIONS 150 DAY VFR -----	1	G
-25	1205001-67	PLACARD-OPERATIONAL LIMITATIONS F150 VFR & IFR -----	1	H
	1205001-68	PLACARD-OPERATIONAL LIMITATIONS F150 DAY & NIGHT VFR -----	1	H
	1205001-143	PLACARD-OPERATIONAL LIMITATIONS F150 DAY VFR -----	1	H
	1205001-91	PLACARD-OPERATIONAL LIMITATIONS F150 VFR & IFR ----- (IN FRENCH)	1	H
	1205001-92	PLACARD-OPERATIONAL LIMITATIONS F150 DAY & NIGHT VFR ----- (IN FRENCH)	1	H
	1205001-144	PLACARD-OPERATIONAL LIMITATIONS F150 DAY VFR ----- (IN FRENCH)	1	H
-26	1205001-69	PLACARD-OPERATIONAL LIMITATIONS A150 VFR & IFR -----	1	D
	1205001-70	PLACARD-OPERATIONAL LIMITATIONS A150 DAY & NIGHT VFR -----	1	D
	1205001-142	PLACARD-OPERATIONAL LIMITATIONS A150 DAY VFR -----	1	D
-27	1205001-71	PLACARD-OPERATIONAL LIMITATIONS FA150 VFR & IFR -----	1	E
	1205001-72	PLACARD-OPERATIONAL LIMITATIONS FA150 DAY & NIGHT VFR -----	1	E
	1205001-145	PLACARD-OPERATIONAL LIMITATIONS FA150 DAY VFR -----	1	E
	1205001-93	PLACARD-OPERATIONAL LIMITATIONS FA150 VFR & IFR ----- (IN FRENCH)	1	E
	1205001-94	PLACARD-OPERATIONAL LIMITATIONS FA150 DAY & NIGHT VFR ----- (IN FRENCH)	1	E
	1205001-146	PLACARD-OPERATIONAL LIMITATIONS FA150 DAY VFR ----- (IN FRENCH)	1	E
-28	0400211-6	PLACARD ASSY-AIRPLANE IDENTIFICATION -----	1	
-29	0713047	PLATE-FINISH & TRIM -----	1	
-30	0442145-1	PLACARD-NOSE GEAR SHOCK STRUT -----	1	
-31	C622003-0105	PLACARD-STROBE -----	1	
-32	1205024-1	PLACARD-BATTERY BOX & GROUND SERVICE PLUG -----	2	
-33	0505007-1	PLACARD-BAGGAGE & OR AUXILIARY SEAT -----	1	
-34	S1397-5	PLACARD-ENGINE OIL CHANGE -----	1	
-35	1250410-3	PLACARD-OIL FILTER -----	1	
-36	0410218-10	PLATE ASSY-FUEL INDICATOR 22.5 GALS -----	1	
	0410218-12	PLATE ASSY-FUEL INDICATOR LONG RANGE 35.0 GALS -----	1	
-37	0405035-5	CHECK LIST ASSY-PILOT -----	1	J
-38	0405035-6	CHECK LIST ASSY-PILOT -----	1	F
-39	0405032-1	PLACARD-PILOTS CHECK LIST -----	1	
-40	1205085-2	PLACARD-EMERGENCY LOCATOR TRANSMITTER -----	1	
	S1500	STENCILS-SLANT LETTERS & NUMERALS SEE SHT 1 & 2 FIG 2 -----	AR	
	S1600	STENCILS-VERTICAL LETTERS & NUMERALS SEE SHT 1 & 2 FIG 2 -----	AR	
<p>A---150 SERIAL 15075782 THRU 15077005 F150 SERIAL F15001144 THRU F15001248 A150 SERIAL A1500524 THRU A1500609 FA150 SERIAL FA1500262 THRU FA1500281</p> <p>B---150 SERIAL 15075782 THRU 15077005 A150 SERIAL A1500524 THRU A1500609</p> <p>C---F150 SERIAL F15001144 THRU F15001248 FA150 SERIAL FA1500262 THRU FA1500281</p> <p>D---A150 SERIAL A1500524 THRU A1500609</p> <p>E---FA150 SERIAL FA1500262 THRU FA1500281</p> <p>F---A150 SERIAL A1500524 THRU A1500609 FA150 SERIAL FA1500262 THRU FA1500281</p> <p>G---150 SERIAL 15075782 THRU 15077005</p> <p>H---F150 SERIAL F15001144 THRU F15001248</p> <p>J---150 SERIAL 15075782 THRU 15077005 F150 SERIAL F15001144 THRU F15001248</p>				

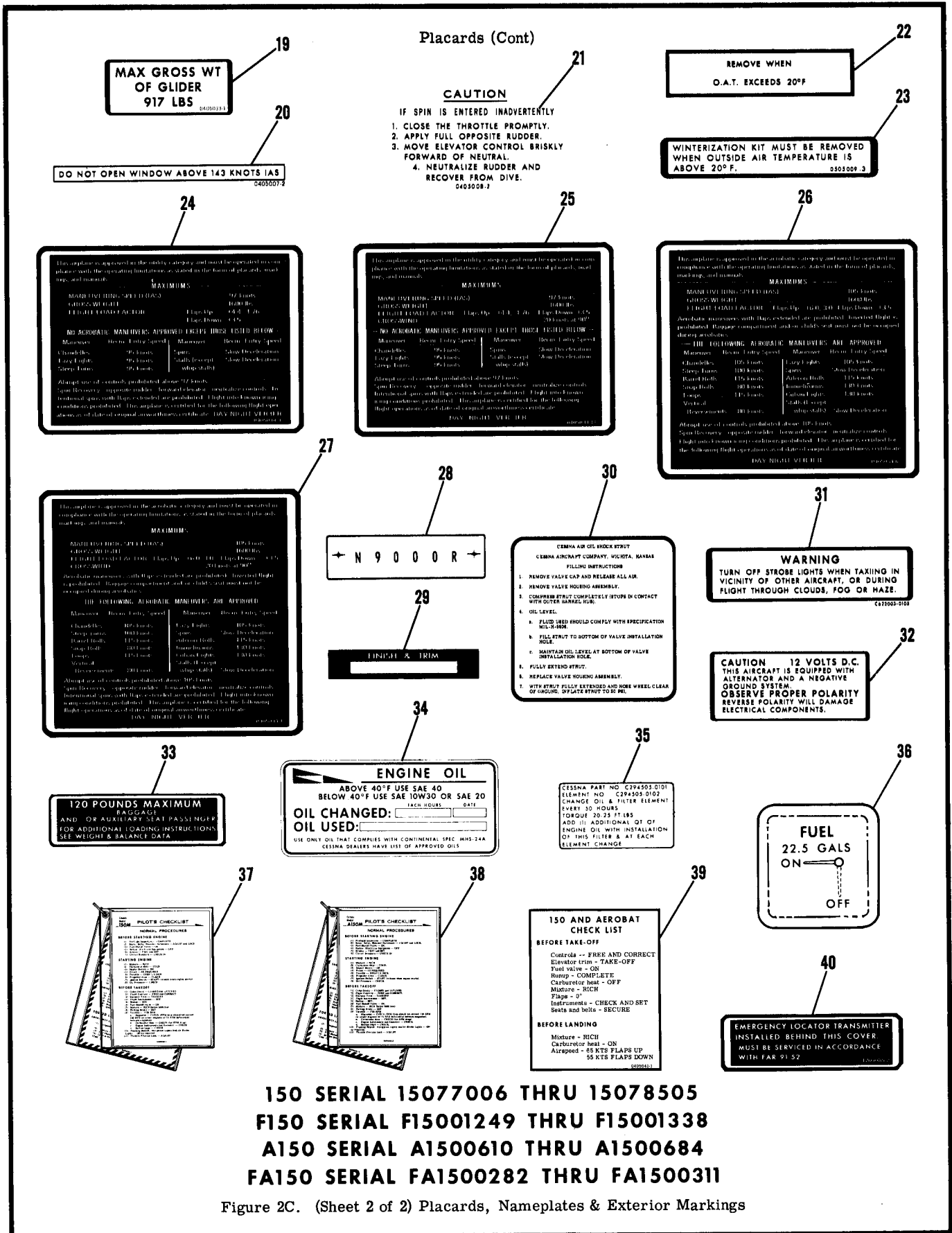
FIGURE AND INDEX NO.	PART NUMBER	DESCRIPTION							UNITS PER ASSY	USABLE ON CODE
		1	2	3	4	5	6	7		
2C-		PLACARDS, NAMEPLATES & EXTERIOR MARKINGS -----							NP	A
- 1	0405039-1	STENCIL-EXTERIOR CESSNA -----							2	B
- 2	0405039-2	STENCIL-EXTERIOR REIMS/CESSNA -----							2	C
- 3	0405038-3	NAMEPLATE-EXTERIOR REIMS/CESSNA -----							2	E
- 4	0405042-3	PLACARD-EXTERIOR 150 COMMUTER WHITE LETTERS -----							2	B
	0405042-9	PLACARD-EXTERIOR 150 COMMUTER BLACK LETTERS -----							2	B
- 5	0405042-5	PLACARD-EXTERIOR 150 COMMUTER II WHITE LETTERS -----							2	B
	0405042-10	PLACARD-EXTERIOR 150 COMMUTER II BLACK LETTERS -----							2	B
- 6	0405042-2	PLACARD-EXTERIOR F150 -----							2	C
- 7	0405042-4	PLACARD-EXTERIOR F150 COMMUTER -----							2	C
- 8	0405042-7	PLACARD-EXTERIOR CESSNA AEROBAT -----							2	D
- 9	0405042-6	PLACARD-EXTERIOR AEROBAT -----							2	E
-10	S1714-1	PLACARD-ALLIANCE FOR PROGRESS -----							1	
-11	S1713-1	PLACARD-HANDS OF FRIENDSHIP -----							1	
-12	0405031-1	EMBLEM-CONTROL WHEEL -----							1	B
-13	0405031-2	EMBLEM-CONTROL WHEEL -----							1	C
-14	0405031-9	EMBLEM-CONTROL WHEEL -----							1	F
-15	1205004-1	PLACARD-MAP LIGHT -----							1	
-16	0400213-6	PLACARD SET-COMPASS CORRECTION -----							1	
-17	0405026-4	PLACARD-MARKER BEACON -----							1	
-18	0405003-2	PLACARD-EMERGENCY DOOR RELEASE -----							2	F
CONTINUED ON NEXT PAGE										

Placards (Cont)



150 SERIAL 15077006 THRU 15078505
 F150 SERIAL F15001249 THRU F15001338
 A150 SERIAL A1500610 THRU A1500684
 FA150 SERIAL FA1500282 THRU FA1500311

Figure 2C. (Sheet 1 of 2) Placards, Nameplates & Exterior Markings



150 SERIAL 15077006 THRU 15078505
 F150 SERIAL F15001249 THRU F15001338
 A150 SERIAL A1500610 THRU A1500684
 FA150 SERIAL FA1500282 THRU FA1500311

Figure 2C. (Sheet 2 of 2) Placards, Nameplates & Exterior Markings

FIGURE AND INDEX NO.	PART NUMBER	DESCRIPTION							UNITS PER ASSY	USABLE ON CODE
		1	2	3	4	5	6	7		
2C-19	0405033-1	PLACARD-GLIDER TOW HOOK -----							1	
-20	0405007-2	PLACARD-WINDOW LIMITATIONS -----							2	F
-21	0405008-2	PLACARD-SPIN -----							1	F
-22	0552110-3	PLACARD-WINTERIZATION COVER -----							2	
-23	0505009-3	PLACARD-WINTERIZATION -----							1	
-24	0405034-3	PLACARD-OPERATIONAL LIMITATIONS 150 VFR-IFR -----							1	B
-25	0405034-11	PLACARD-OPERATIONAL LIMITATIONS F150 VFR-IFR -----							AR	C
	0405034-9	PLACARD-OPERATIONAL LIMITATIONS F150 DAY-NIGHT-VFR -----							AR	C
	0405034-7	PLACARD-OPERATIONAL LIMITATIONS F150 DAY-VFR -----							AR	C
	0405034-12	PLACARD-OPERATIONAL LIMITATIONS F150 VFR-IFR -----							AR	C
	0405034-10	PLACARD-OPERATIONAL LIMITATIONS F150 DAY-NIGHT-VFR -----							AR	C
	0405034-8	PLACARD-OPERATIONAL LIMITATIONS F150 DAY-VFR -----							AR	C
-26	0405034-6	PLACARD-OPERATIONAL LIMITATIONS A150 VFR-IFR -----							AR	D
	0405034-5	PLACARD-OPERATIONAL LIMITATIONS A150 DAY-NIGHT-VFR -----							AR	D
	0405034-4	PLACARD-OPERATIONAL LIMITATIONS A150 DAY-VFR -----							AR	D
-27	0405034-17	PLACARD-OPERATIONAL LIMITATIONS FA150 VFR-IFR -----							AR	E
	0405034-15	PLACARD-OPERATIONAL LIMITATIONS FA150 DAY-NIGHT-VFR -----							AR	E
	0405034-13	PLACARD-OPERATIONAL LIMITATIONS FA150 DAY-VFR -----							AR	E
	0405034-18	PLACARD-OPERATIONAL LIMITATIONS FA150 VFR-IFR -----							AR	E
	0405034-16	PLACARD-OPERATIONAL LIMITATIONS FA150 DAY-NIGHT-VFR -----							AR	E
	0405034-14	PLACARD-OPERATIONAL LIMITATIONS FA150 DAY-VFR -----							AR	E
-28	0400211-6	PLACARD ASSY-AIRPLANE IDENTIFICATION -----							1	
-29	0713047	PLATE-FINISH & TRIM -----							1	
-30	0442145-1	PLACARD-NOSE GEAR SHOCK STRUT -----							1	
-31	C622003-0105	PLACARD-STROBE -----							1	
-32	1205024-1	PLACARD-BATTERY BOX & GROUND SERVICE PLUG -----							2	
-33	0505007-1	PLACARD-BAGGAGE & OR AUXILIARY SEAT -----							1	
-34	S1397-5	PLACARD-ENGINE OIL CHANGE -----							1	
-35	1250410-3	PLACARD-OIL FILTER -----							1	
-36	0401218-10	PLATE ASSY-FUEL INDICATOR 22.5 GALS -----							1	
	0401218-12	PLATE ASSY-FUEL INDICATOR 35.0 GALS -----							1	
-37	0405040-1	CHECK LIST ASSY-PILOT -----							1	G
-38	0405040-2	CHECK LIST ASSY-PILOT -----							1	F
-39	0405041-1	PLACARD-PILOTS CHECK LIST -----							1	
-40	1205085-2	PLACARD-EMERGENCY LOCATOR TRANSMITTER -----							1	
	S1500	STENCILS-SLANT LETTERS & NUMERALS SEE SHT 1 & 2 FIG 2 -----							AR	
	S1600	STENCILS-VERTICAL LETTERS & NUMERALS SEE SHT 1 & 2 FIG 2 -----							AR	
<p>A---150 SERIAL 15077006 THRU 15078505 F150 SERIAL F15001249 THRU F15001338 A150 SERIAL A1500610 THRU A1500684 FA150 SERIAL FA1500282 THRU FA1500311</p> <p>B---150 SERIAL 15077006 THRU 15078505 C---F150 SERIAL F15001249 THRU F15001338 D---A150 SERIAL A1500610 THRU A1500684 E---FA150 SERIAL FA1500282 THRU FA1500311</p> <p>F---A150 SERIAL A1500610 THRU A1500684 FA150 SERIAL FA1500282 THRU FA1500311</p> <p>G---150 SERIAL 15077006 THRU 15078505 F150 SERIAL F15001249 THRU F15001338</p>										

FIGURE AND INDEX NO.	PART NUMBER	DESCRIPTION	UNITS PER ASSY	USABLE ON CODE
		1 2 3 4 5 6 7		
2D-		PLACARDS, NAMEPLATES & EXTERIOR MARKINGS -----	NP	A
- 1	0505061-1	NAMEPLATE-EXTERIOR CESSNA BLACK LETTERS -----	2	B
	0505061-3	NAMEPLATE-EXTERIOR CESSNA BLACK LETTERS -----	2	C
	0505061-4	NAMEPLATE-EXTERIOR CESSNA WHITE LETTERS -----	2	C
- 2	0505061-5	NAMEPLATE-EXTERIOR REIMS/CESSNA BLACK LETTERS -----	2	D
	0505061-6	NAMEPLATE-EXTERIOR REIMS/CESSNA WHITE LETTERS -----	2	E
- 3	0405043-1	PLACARD-EXTERIOR 150 COMMUTER WHITE LETTERS -----	2	C
	0405043-6	PLACARD-EXTERIOR 150 COMMUTER BLACK LETTERS -----	2	C
- 4	0405043-2	PLACARD-EXTERIOR 150 COMMUTER II WHITE LETTERS -----	2	C
	0405043-7	PLACARD-EXTERIOR 150 COMMUTER II BLACK LETTERS -----	2	C
- 5	0405043-3	PLACARD-EXTERIOR F150 COMMUTER WHITE LETTERS -----	2	E
- 6	0405043-5	PLACARD-EXTERIOR F150 WHITE LETTERS -----	2	E
- 7	0405043-9	PLACARD-EXTERIOR LH AEROBAT -----	1	F
- 8	0405043-8	PLACARD-EXTERIOR RH AEROBAT -----	1	F
- 9	S1714-1	PLACARD-ALLIANCE FOR PROGRESS -----	1	
-10	S1713-1	PLACARD-HANDS OF FRIENDSHIP -----	1	
-11	0405031-1	EMBLEM-CONTROL WHEEL -----	2	C
-12	0405031-2	EMBLEM-CONTROL WHEEL -----	2	E
-13	0405031-9	EMBLEM-CONTROL WHEEL -----	2	F
-14	1205004-1	PLACARD-MAP LIGHT -----	1	
-15	0400213-6	PLACARD SET-COMPASS CORRECTION -----	1	
-16	0405026-4	PLACARD-MARKER BEACON -----	1	
-17	0405003-2	PLACARD-EMERGENCY DOOR RELEASE -----	2	F

CONTINUED ON NEXT PAGE

Placards (Cont)

1 **cessna**

2 **reims/cessna**

3 **150**
commuter

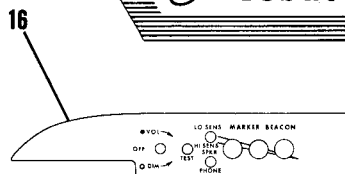
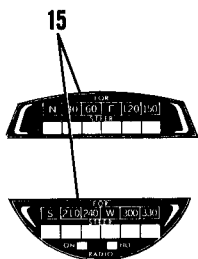
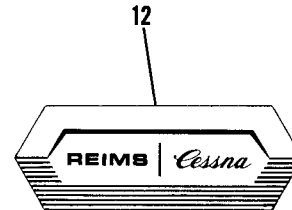
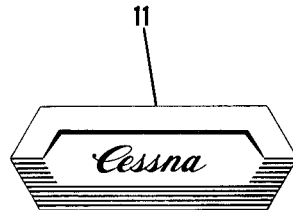
4 **150**
commuter II

5 **F150**
commuter

7 ***aerobat.***

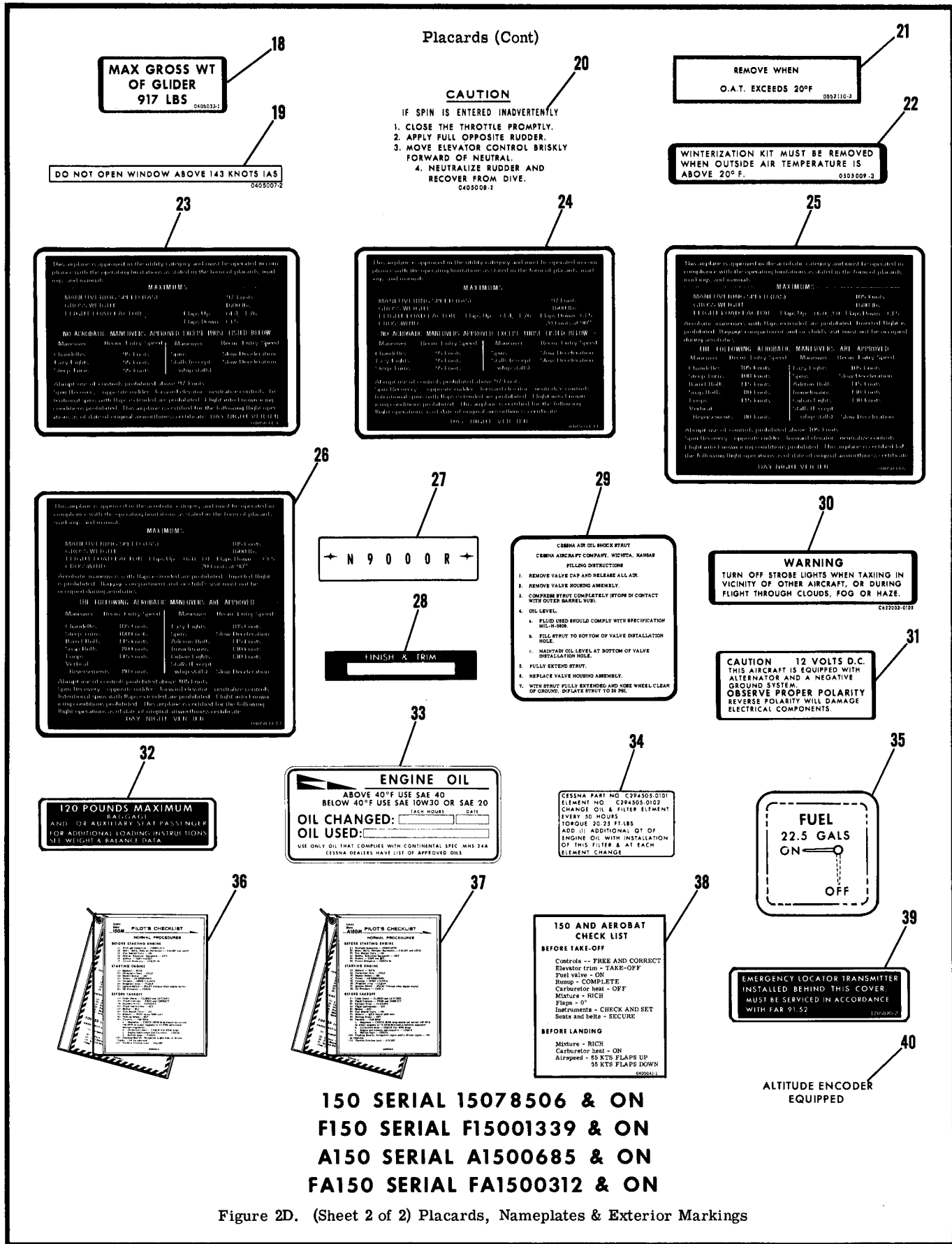
6 **F150**

8 ***aerobat.***



150 SERIAL 15078506 & ON
F150 SERIAL F15001339 & ON
A150 SERIAL A1500685 & ON
FA150 SERIAL FA1500312 & ON

Figure 2D. (Sheet 1 of 2) Placards, Nameplates & Exterior Markings



**150 SERIAL 15078506 & ON
 F150 SERIAL F15001339 & ON
 A150 SERIAL A1500685 & ON
 FA150 SERIAL FA1500312 & ON**

Figure 2D. (Sheet 2 of 2) Placards, Nameplates & Exterior Markings

FIGURE AND INDEX NO.	PART NUMBER	DESCRIPTION	UNITS PER ASSY	USABLE ON CODE		
					1	2
20-18	0405033-1	PLACARD-GLIDER TOW HOOK -----	1			
-19	0405007-2	PLACARD-WINDOW LIMITATIONS -----	2	F		
-20	0405008-2	PLACARD-SPIN -----	1	F		
-21	0552110-3	PLACARD-WINTERIZATION COVER -----	2			
-22	0505009-3	PLACARD-WINTERIZATION -----	1			
-23	0405034-3	PLACARD-OPERATIONAL LIMITATIONS 150 VFR-IFR -----	1	C		
-24	0405034-11	PLACARD-OPERATIONAL LIMITATIONS F150 VFR-IFR -----	AR	E		
	0405034-9	PLACARD-OPERATIONAL LIMITATIONS F150 DAY-NIGHT-VFR -----	AR	E		
	0405034-7	PLACARD-OPERATIONAL LIMITATIONS F150 DAY-VFR -----	AR	E		
	0405034-12	PLACARD-OPERATIONAL LIMITATIONS F150 VFR-IFR -----	AR	E		
	0405034-10	PLACARD-OPERATIONAL LIMITATIONS F150 DAY-NIGHT-VFR -----	AR	E		
	0405034-8	PLACARD-OPERATIONAL LIMITATIONS F150 DAY-VFR -----	AR	E		
-25	0405034-6	PLACARD-OPERATIONAL LIMITATIONS A150 VFR-IFR -----	AR	B		
	0405034-5	PLACARD-OPERATIONAL LIMITATIONS A150 DAY-NIGHT-VFR -----	AR	B		
	0405034-4	PLACARD-OPERATIONAL LIMITATIONS A150 DAY-VFR -----	AR	B		
-26	0405034-17	PLACARD-OPERATIONAL LIMITATIONS FA150 VFR-IFR -----	AR	D		
	0405034-15	PLACARD-OPERATIONAL LIMITATIONS FA150 DAY-NIGHT-VFR -----	AR	D		
	0405034-13	PLACARD-OPERATIONAL LIMITATIONS FA150 DAY-VFR -----	AR	D		
	0405034-18	PLACARD-OPERATIONAL LIMITATIONS FA150 VFR-IFR -----	AR	D		
	0405034-16	PLACARD-OPERATIONAL LIMITATIONS FA150 DAY-NIGHT-VFR -----	AR	D		
	0405034-14	PLACARD-OPERATIONAL LIMITATIONS FA150 DAY-VFR -----	AR	D		
-27	0400211-6	PLACARD ASSY-AIRPLANE IDENTIFICATION -----	1			
-28	0713047	PLATE-FINISH & TRIM -----	1			
-29	0442145-1	PLACARD-NOSE GEAR SHOCK STRUT -----	1			
-30	C622003-0105	PLACARD-STROBE -----	1			
-31	1205024-1	PLACARD-BATTERY BOX & GROUND SERVICE PLUG -----	2			
-32	0505007-1	PLACARD-BAGGAGE & OR AUXILIARY SEAT -----	1			
-33	S1397-5	PLACARD-ENGINE OIL CHANGE -----	1			
-34	1250410-3	PLACARD-OIL FILTER -----	1			
-35	0401218-10	PLATE ASSY-FUEL INDICATOR 22.5 GALS -----	1			
	0401218-12	PLATE ASSY-FUEL INDICATOR 35.0 GALS -----	1			
-36	0405040-1	CHECK LIST ASSY-PILOT -----	1	G		
-37	0405040-2	CHECK LIST ASSY-PILOT -----	1	F		
-38	0405041-1	PLACARD-PILOTS CHECK LIST -----	1			
-39	1205085-2	PLACARD-EMERGENCY LOCATOR TRANSMITTER -----	1			
	S1500	STENCILS-SLANT LETTERS & NUMERALS SEE SHT 1 & 2 FIG 2 -----	AR			
	S1600	STENCILS-VERTICAL LETTERS & NUMERALS SEE SHT 1 & 2 FIG 2 -----	AR			
-40	0405044-1	PLACARD-BLIND ENCODER -----	1			

A---150 SERIAL 15078506 & ON
 F150 SERIAL F15001339 & ON
 A150 SERIAL A1500685 & ON
 FA150 SERIAL FA1500312 & ON
 B---A150 SERIAL A1500685 & ON
 C---150 SERIAL 15078506 & ON
 D---FA150 SERIAL FA1500312 & ON
 E---F150 SERIAL F15001339 & ON
 F---A150 SERIAL A1500685 & ON
 FA150 SERIAL FA1500312 & ON
 G---150 SERIAL 15078506 & ON
 F150 SERIAL F15001339 & ON

FIGURE AND INDEX NO.	PART NUMBER	DESCRIPTION	UNITS PER ASSY	USABLE ON CODE
3 -		1 2 3 4 5 6 7 WING ASSEMBLY-COMplete LH STANDARD RANGE ----- WING ASSEMBLY-COMplete RH STANDARD RANGE ----- WING ASSEMBLY-COMplete LH EXTENDED RANGE ----- WING ASSEMBLY-COMplete RH EXTENDED RANGE ----- ATTACHING PARTS	NP NP NP NP	
- 1	AN8-24A	BOLT -----	1	
- 2	AN960-816	WASHER -----	5	
- 3	MS20365-820C	NUT -----	1	
- 4	AN7-24A	BOLT -----	1	
- 5	0512123	BUSHING -----	2	
- 6	AN960-716	WASHER -----	3	
- 7	MS20365-720C	NUT -----	1	

- 8	SEE FIG 15	AILERON INSTALLATION -----	1	
- 9	SEE FIG 16	FLAP INSTALLATION -----	1	
-10	SEE FIG 4	STRUCTURE ASSEMBLY-WING 150 STANDARD RANGE -----	1	A
	SEE FIG 5	STRUCTURE ASSEMBLY-WING AEROBAT STANDARD RANGE -----	1	B
-11	SEE FIG 6	STRUCTURE ASSEMBLY-WING 150 EXTENDED RANGE -----	1	A
	SEE FIG 7	STRUCTURE ASSEMBLY-WING AEROBAT EXTENDED RANGE -----	1	B
-12	SEE FIG 12	FUEL TANK INSTALLATION STANDARD RANGE -----	1	
-13	SEE FIG 13	FUEL TANK INSTALLATION EXTENDED RANGE -----	1	
-14	0426511-6	COVER ASSEMBLY-FUEL TANK LH 150 STANDARD RANGE -----	1	E
	0426511-7	COVER ASSEMBLY-FUEL TANK RH 150 STANDARD RANGE -----	1	E
	0426511-19	COVER ASSEMBLY-FUEL TANK LH 150 STANDARD RANGE -----	1	F
	0426511-18	COVER ASSEMBLY-FUEL TANK RH 150 STANDARD RANGE -----	1	F
	0420030-1	COVER ASSEMBLY-FUEL TANK LH AEROBAT STANDARD RANGE -----	1	G
	0420030-2	COVER ASSEMBLY-FUEL TANK RH AEROBAT STANDARD RANGE -----	1	G
	0420030-5	COVER ASSEMBLY-FUEL TANK LH AEROBAT STANDARD RANGE -----	1	H
	0420030-6	COVER ASSEMBLY-FUEL TANK RH AEROBAT STANDARD RANGE -----	1	H
-15	0426516-1	COVER ASSEMBLY-FUEL TANK LH 150 EXTENDED RANGE -----	1	E
	0426516-2	COVER ASSEMBLY-FUEL TANK RH 150 EXTENDED RANGE -----	1	E
	0426516-15	COVER ASSEMBLY-FUEL TANK LH 150 EXTENDED RANGE -----	1	F
	0426516-16	COVER ASSEMBLY-FUEL TANK RH 150 EXTENDED RANGE -----	1	F
	0420030-3	COVER ASSEMBLY-FUEL TANK LH AEROBAT EXTENDED RANGE -----	1	G
	0420030-4	COVER ASSEMBLY-FUEL TANK RH AEROBAT EXTENDED RANGE -----	1	G
	0420030-7	COVER ASSEMBLY-FUEL TANK LH AEROBAT EXTENDED RANGE -----	1	H
	0420030-8	COVER ASSEMBLY-FUEL TANK RH AEROBAT EXTENDED RANGE -----	1	H
		ATTACHING PARTS		
-16	NAS220-6	SCREW 150 STANDARD RANGE -----	7	A
	NAS220-6	SCREW AEROBAT STANDARD RANGE -----	10	B
-17	NAS220-8	SCREW STANDARD RANGE -----	25	
-18	NAS220-9	SCREW STANDARD RANGE -----	7	
-19	NAS220-12	SCREW STANDARD RANGE -----	3	
-20	NAS220-8	SCREW 150 EXTENDED RANGE -----	51	A
	NAS220-8	SCREW AEROBAT EXTENDED RANGE -----	54	B
-20A	AN520-10R8	SCREW -----	6	J

-21	0523619-1	GASKET-FUEL GAGE ACCESS -----	1	
-22	0523558-1	COVER-FUEL GAGE ACCESS -----	1	
		ATTACHING PARTS		
-23	S102128-8	SCREW -----	3	
-24	NAS395-14-3	NUT -----	3	

-24A	0426011-4	FUEL FILLER NECK-CAP ADAPTER -----	1	J
	0426013-2	GASKET BETWEEN FILLER NECK & COVER -----	1	J
	C156001-0104	CHAIN ASSEMBLY -----	1	J
-25	S225-1	PLATE-INSPECTION -----	3	
-26	S225-1	PLATE-INSPECTION EXTENDED RANGE LH ONLY -----	1	
-27	S225-2	PLATE-INSPECTION -----	2	
		ATTACHING PARTS		
	S102128-8	SCREW -----	3	

CONTINUED ON NEXT PAGE

Wing

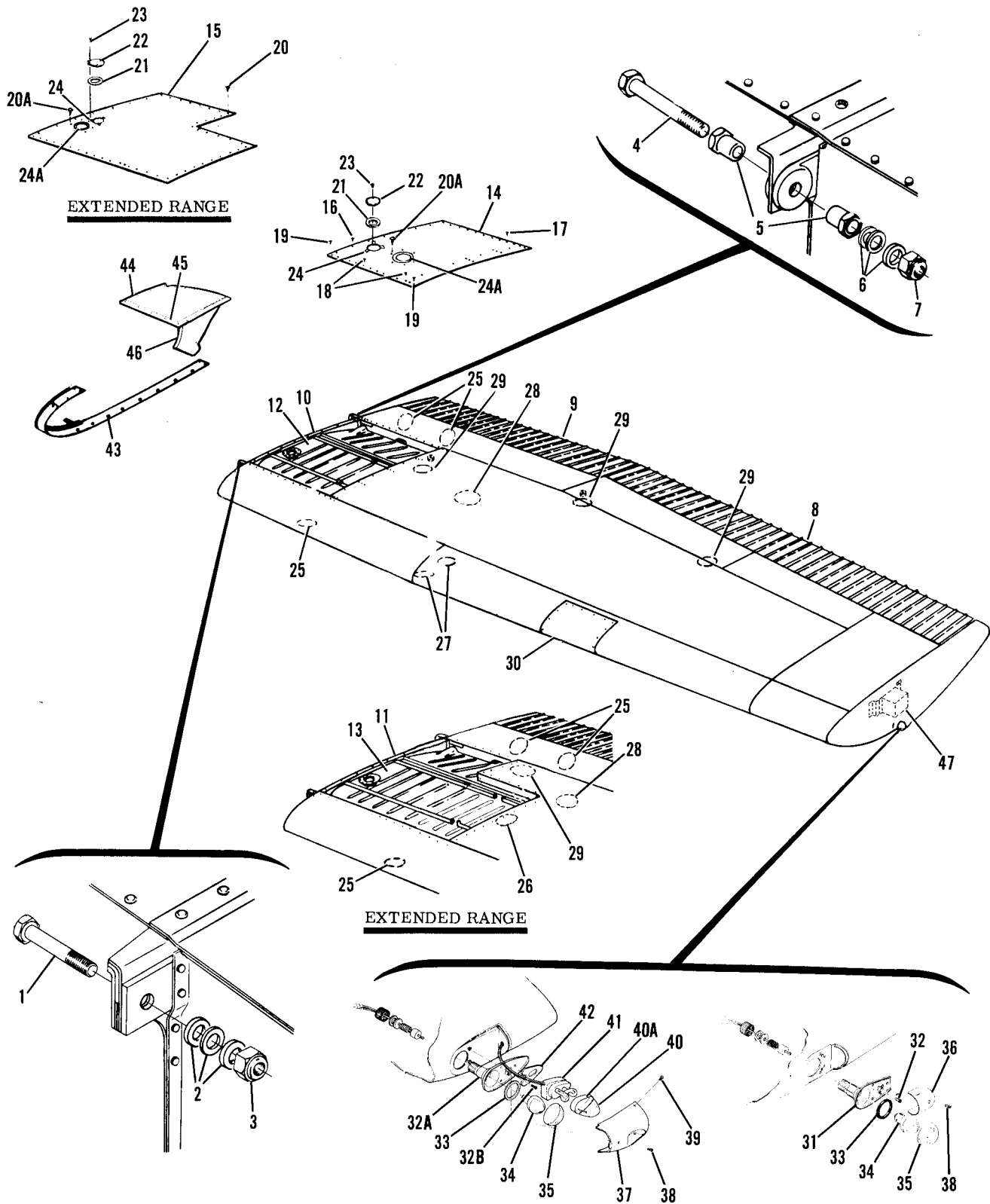


Figure 3. Wing Assembly Complete - Standard and Extended Range

FIGURE AND INDEX NO.	PART NUMBER	DESCRIPTION	UNITS PER ASSY	USABLE ON CODE
3 -28	S225-7	PLATE-INSPECTION RH WING ONLY ----- ATTACHING PARTS -----	1	
	AN515-8R6	SCREW ----- ---*---	6	
-29	S329	PLATE-INSPECTION ----- ATTACHING PARTS -----	3	
	S1021Z8-6	SCREW ----- ---*---	4	
-30	0523115-2	COVER-LANDING LIGHT CAP LH ONLY ----- ATTACHING PARTS -----	1	C
	S1021Z8R6	SCREW ----- ---*---	18	C
-31	SEE FIG 83	LANDING LIGHT INSTALLATION -----	1	C
	C622001-0202	BASE ASSEMBLY-WING POSITION LIGHT USED ON STANDARD TIP -----	1	
	C622001-0202	BASE ASSEMBLY-WING POSITION LIGHT USED ON ----- CONICAL CAMBER WING TIP ----- ATTACHING PARTS -----	1	C
-32	S1021Z8-6	SCREW USE ON STANDARD WING TIP -----	2	
	NAS446-4-3	NUT USE ON STANDARD WING TIP -----	2	
	AN507-832R8	SCREW USE ON CONICAL CAMBER WING TIP -----	2	C
	NAS1329A08K120	NUT USE ON CONICAL CAMBER WING TIP ----- ---*---	2	C
-32A	C622001-0201	BASE ASSEMBLY-WING POSITION LIGHT USED ON ----- CONICAL CAMBER WING TIP ----- ATTACHING PARTS -----	1	D
-32B	AN507-632R8	SCREW ----- ---*---	3	D
-33	A1257A	GASKET GMC -----	1	
-34	A7512-12	LAMP-WING POSITION GMC -----	1	
-35	A1280-2	LENS-WING POSITION LIGHT RED GMC -----	1	
	A1280-3	LENS-WING POSITION LIGHT GREEN GMC -----	1	
-36	0423007-1	SHIELD-WING LIGHT USE ON STANDARD WING TIP -----	1	
	0423564-1	SHIELD-WING LIGHT LH USE ON CONICAL CAMBER WING TIP -----	1	C
	0423564-2	SHIELD-WING LIGHT RH USE ON CONICAL CAMBER WING TIP -----	1	C
-37	0523566-1	SHIELD-WING LIGHT LH USE ON CONICAL CAMBER WING TIP -----	1	D
	0523566-5	SHIELD-WING LIGHT LH CUTOUT FOR STROBE LIGHT USE ----- ON CONICAL CAMBER WING TIP -----	1	D
	0523566-2	SHIELD-WING LIGHT RH USE ON CONICAL CAMBER WING TIP -----	1	D
	0523566-6	SHIELD-WING LIGHT RH CUTOUT FOR STROBE LIGHT USE ----- ON CONICAL CAMBER WING TIP ----- ATTACHING PARTS -----	1	D
-38	AN507-632R14	SCREW -----	1	
-39	AN507-632R8	SCREW ----- ---*---	2	D
-40	C622003-0104	LENS-STROBE LIGHT -----	1	K
-40A	C622006-0103	LENS-STROBE LIGHT -----	1	L
	C622006-0105	GASKET-STROBE LIGHT LENS -----	1	L
-41	C622003-0101	LIGHT-STROBE -----	1	K
	C622006-0102	STROBE TUBE ASSEMBLY -----	1	L
-42	1520006-1	SPACER -----	1	K
-43	0426003-18	FAIRING-WING LH -----	1	
	0426003-19	FAIRING-WING RH ----- ATTACHING PARTS -----	1	
-44	S1022Z8-8	SCREW -----	6	
	S290D832	WASHER -----	6	
	S1021Z8-8	SCREW ----- ---*---	3	
-44	0412032-1	FAIRING ASSEMBLY-WING TO FUSELAGE LH -----	1	
	0412032-2	FAIRING ASSEMBLY-WING TO FUSELAGE RH ----- ATTACHING PARTS -----	1	
-45	S1078-1	SCREW -----	12	
	S202VW	---*---		
-45	S1078-1	SEAL-* IN LG BULK ITEM REF S1078-1* -----	1	
-46	S202VW	CHANNEL-12.75 IN LG BULK ITEM REF S202V12.75W -----	1	

CONTINUED ON NEXT PAGE

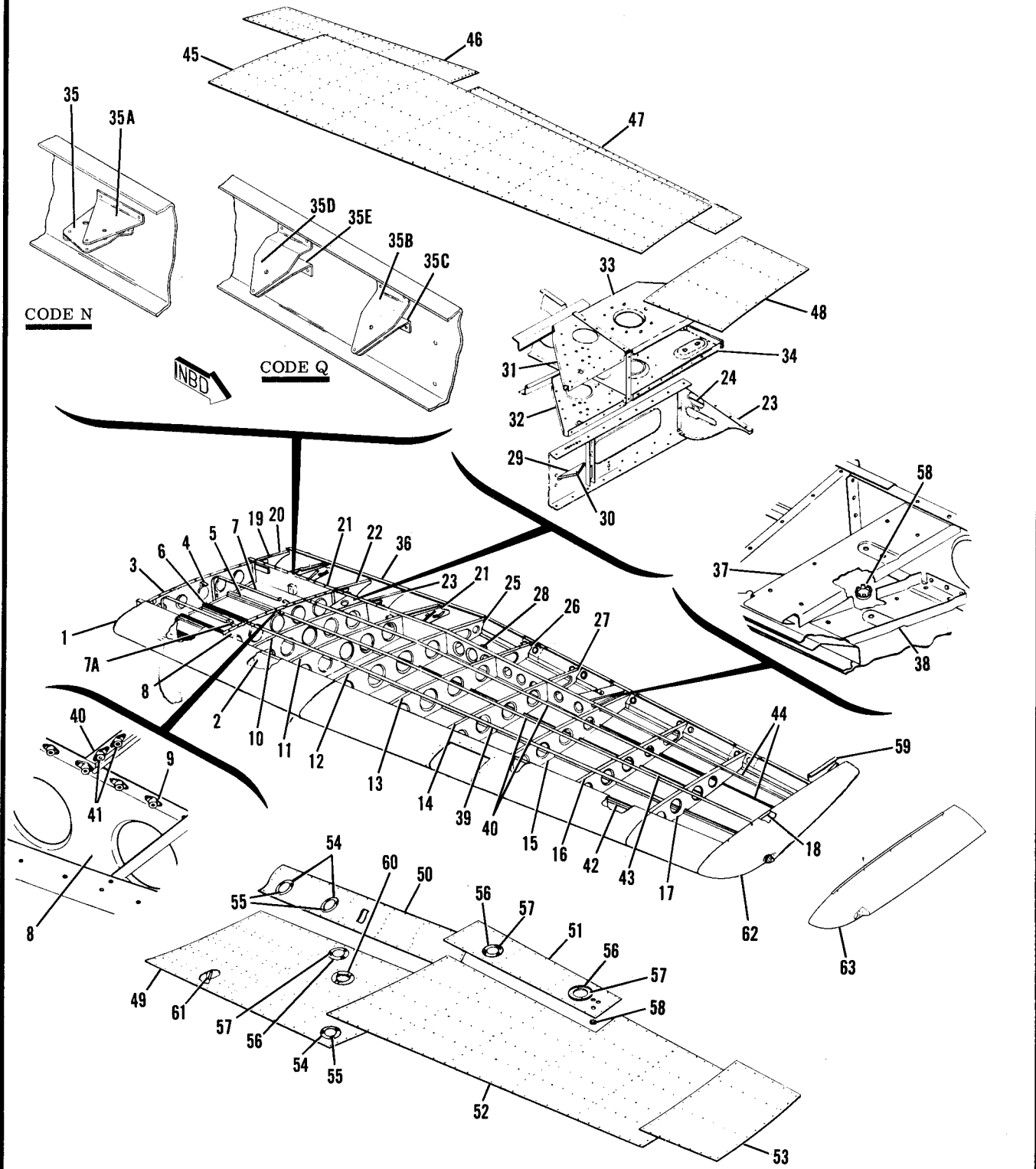
FIGURE AND INDEX NO.	PART NUMBER	DESCRIPTION	UNITS PER ASSY	USABLE ON CODE
3 -47	C622007-0101 AN520-10R7 0420034-1	<p style="text-align: center;">1 2 3 4 5 6 7</p> <p>POWER SUPPLY-STROBE LIGHT ----- ATTACHING PARTS ----- SCREW ----- BRACKET ASSEMBLY-POWER SUPPLY ----- -----*</p> <p>NOTE. *LENGTH TO BE DETERMINED LATER</p> <p>A---150 SERIAL 15071129 & ON F150 SERIAL F15000530 & ON B---A150 SERIAL A1500001 & ON FA150 SERIAL FA1500001 & ON C---150 SERIAL 15071129 THRU 15072003 F150 SERIAL F15000530 THRU F15000658 A150 SERIAL A1500001 THRU A1500226 FA150 SERIAL FA1500001 THRU FA1500081 D---150 SERIAL 15072004 & ON F150 SERIAL F15000659 & ON A150 SERIAL A1500227 & ON FA150 SERIAL FA1500082 & ON E---150 SERIAL 15071129 THRU 15072628 F150 SERIAL F15000530 THRU F15000738 F---150 SERIAL 15072629 & ON F150 SERIAL F15000739 & ON G---A150 SERIAL A1500001 THRU A1500276 FA150 SERIAL FA1500001 THRU FA1500166 H---A150 SERIAL A1500277 & ON FA150 SERIAL FA1500167 & ON J---150 SERIAL 15072629 & ON F150 SERIAL F15000738 & ON A150 SERIAL A1500277 & ON FA150 SERIAL FA1500167 & ON K---150 SERIAL 15072004 THRU 15073658 F150 SERIAL F15000659 THRU F15000863 A150 SERIAL A1500227 THRU A1500342 FA150 SERIAL FA1500082 THRU FA1500166 L---150 SERIAL 15073659 & ON F150 SERIAL F15000864 & ON A150 SERIAL A1500343 & ON FA150 SERIAL FA1500167 & ON</p>	1 4 2	L L L



FIGURE AND INDEX NO.	PART NUMBER	DESCRIPTION							UNITS PER ASSY	USABLE ON CODE
		1	2	3	4	5	6	7		
4 -	0426005-38	STRUCTURE ASSEMBLY-RH WING	STD RANGE	WEU 0426005-94	-----				1	A
	0426005-94	STRUCTURE ASSEMBLY-RH WING	STD RANGE	WEU 0426005-98	-----				1	K
	0426005-98	STRUCTURE ASSEMBLY-RH WING	STD RANGE	-----	-----				1	Q
	0426005-39	STRUCTURE ASSEMBLY-LH WING	STD RANGE	WEU 0426005-225	-----				1	C
	0426005-225	STRUCTURE ASSEMBLY-LH WING	STD RANGE	-----	-----				1	C
	0426005-91	STRUCTURE ASSEMBLY-LH WING	STD RANGE	WEU 0426005-97	-----				1	P
	0426005-97	STRUCTURE ASSEMBLY-LH WING	STD RANGE	-----	-----				1	Q
	- 1	SEE FIG 8	LEADING EDGE ASSEMBLY-WING	-----	-----				1	
	- 2	SEE FIG 10	SPAR ASSEMBLIES-WING	-----	-----				1	
	- 3	0426507	RIB ASSEMBLY-WING ROOT LH STA 22.125	-----	-----				1	
	0426507-1	RIB ASSEMBLY-WING ROOT RH STA 22.125	-----	-----				1		
	S1860-2A	NUTPLATE	-----	-----				6		
- 4	0516006-1	STRAP-FUEL TRANSMITTER GROUND	-----	-----				1		
- 5	0426506	HAT SECTION-FUEL TANK LOWER	-----	-----				4		
- 6	S2127-21.69	PAD-HAT SECTION	-----	-----				4		
- 7	0426512	STRAP ASSEMBLY-FUEL TANK INBOARD	-----	-----				2	R	
	0523522-11	STRAP ASSEMBLY-FUEL TANK INBOARD	-----	-----				2	S	
- 7A	0426512	STRAP ASSEMBLY-FUEL TANK OUTBOARD	-----	-----				2	R	
	0523522-1	STRAP ASSEMBLY-FUEL TANK OUTBOARD	-----	-----				2	S	
- 8	0523508-8	RIB ASSEMBLY-LEFT FUEL CELL STA 44.125	-----	-----				1	L	
	0523508-35	RIB ASSEMBLY-LEFT FUEL CELL STA 44.125	-----	-----				1	M	
	0523508-43	RIB ASSEMBLY-LEFT FUEL CELL STA 44.125	-----	-----				1	Q	
	0523508-5	RIB ASSEMBLY-RIGHT FUEL CELL STA 44.125	-----	-----				1	N	
	0523508-34	RIB ASSEMBLY-RIGHT FUEL CELL STA 44.125	-----	-----				1	Q	
- 9	NAS680A08	NUTPLATE	-----	-----				11		
-10	0523509-1	RIB-WING CENTER SECTION STA 56.875 LH	-----	-----				1		
	0523509-1	RIB-WING CENTER SECTION STA 56.875 RH	-----	-----				1	A	
	0523509-16	RIB-WING CENTER SECTION STA 56.875 RH	-----	-----				1	K	
	0523509-20	RIB-WING CENTER SECTION STA 56.875 RH	-----	-----				1	Q	
	0523564-2	DOUBLER-RH WING STA 56.875	-----	-----				1	K	
	0523509-4	SPACER-RIB FORWARD STA 56.875	-----	-----				1		

CONTINUED ON NEXT PAGE

Wing (Cont)



150 SERIAL 15071129 & ON
F150 SERIAL F15000530 & ON

Figure 4. Wing Structure Assembly - Standard Range



FIGURE AND INDEX NO.	PART NUMBER	DESCRIPTION							UNITS PER ASSY	USABLE ON CODE
		1	2	3	4	5	6	7		
4 -11	0523509-2	RIB-WING CENTER SECTION STA 69.625	WEU 0722201-2	-----					1	G
	0523509-14	RIB-WING CENTER SECTION STA 69.625	WEU 0722201-2	-----					1	H
	0722201-2	RIB-WING CENTER SECTION STA 69.625	-----						1	J
-12	0523510-7	RIB-WING CENTER SECTION STA 84 LH	-----						1	
	0523510-6	RIB-WING CENTER SECTION STA 84 RH	-----						1	
-13	0523511-3	RIB-WING CENTER SECTION STA 102	-----						1	
-14	0523512-3	RIB-WING CENTER SECTION STA 120	-----						1	
-15	0523513-9	RIB-WING CENTER SECTION LH STA 138	-----						1	
	0523513-10	RIB-WING CENTER SECTION RH STA 138	-----						1	
-16	0523514-3	RIB-WING CENTER SECTION STA 156	-----						1	
-17	0523515-3	RIB-WING CENTER SECTION STA 174	-----						1	
-18	0720608-7	RIB-WING CENTER SECTION STA 192	-----						1	
	S1863-3A	NUTPLATE	-----						10	
-19	NAS395-14-3	NUT	-----						3	
-20	0523232-2	RIB-WING ROOT TRAILING EDGE STA 22.125	-----						1	
-21	0523231-13	RIB ASSEMBLY-FLAP TRACK STA 31.750 & 69.875	-----						2	N
	0523231-21	RIB ASSEMBLY-FLAP TRACK STA 31.750 & 69.875	-----						2	Q
	0523231-5	BRACKET	-----						2	
-22	0523233-9	RIB ASSEMBLY-WING TRAILING EDGE STA 44.125	-----						1	N
	0523231-24	RIB ASSEMBLY-WING TRAILING EDGE STA 44.125	-----						1	Q
	0523233-8	RUB STRIP	-----						1	
-23	0523233-4	RIB ASSEMBLY-WING TRAILING EDGE STA 56.875	-----						1	
-24	0523233-3	RUB STRIP	-----						1	
-25	0523230	RIB ASSEMBLY-WING TRAILING EDGE STA 84 LH	-----						1	
	0523230-1	RIB ASSEMBLY-WING TRAILING EDGE STA 84 RH	-----						1	
	0523230-4	ANGLE LH ONLY	-----						1	
	0523230-5	ANGLE RH ONLY	-----						1	
-26	0523511-4	RIB-WING TRAILING EDGE STA 102	-----						1	
-27	0523512-4	RIB-WING TRAILING EDGE STA 120	-----						1	
-28	0523408	BRACKET-AILERON PULLEY	-----						1	
-29	0523407	BRACKET-FLAP PULLEY	-----						1	
-30	0523407-1	BRACKET-FLAP PULLEY	-----						1	
-31	0426515-2	BRACKET-FLAP BELLCRANK SUPPORT UPPER LH	-----						1	
	0426515-3	BRACKET-FLAP BELLCRANK SUPPORT UPPER RH	-----						1	
-32	0426515-4	BRACKET-FLAP BELLCRANK SUPPORT LOWER LH	-----						1	
	0426515-5	BRACKET-FLAP BELLCRANK SUPPORT LOWER RH	-----						1	
-33	0420015-1	BRACKET-FLAP ACTUATOR MOUNT UPPER RH	-----						1	
-34	0420015-2	BRACKET-FLAP ACTUATOR MOUNT LOWER RH	-----						1	
-35	0422293-1	BRACKET-LOWER LH	-----						1	N
	0422293-2	BRACKET-LOWER RH	-----						1	N
-35A	0422293-3	BRACKET-UPPER LH	-----						1	N
	0422293-4	BRACKET-UPPER RH	-----						1	N
-35B	0460204-1	BRACKET-FLAP PULLEY INBOARD UPPER	-----						1	Q
-35C	0460204-2	BRACKET-FLAP PULLEY INBOARD LOWER	-----						1	Q
-35D	0460205-1	BRACKET-FLAP PULLEY OUTBOARD UPPER	-----						1	Q
-35E	0460205-2	BRACKET-FLAP PULLEY OUTBOARD LOWER	-----						1	Q
-36	0720005-2	STIFFENER-TRAILING EDGE	-----						1	
-37	0523219-2	CHANNEL-AILERON BELLCRANK SUPPORT UPPER LH	-----						1	
	0523219-3	CHANNEL-AILERON BELLCRANK SUPPORT UPPER RH	-----						1	
-38	0523219-4	CHANNEL-AILERON BELLCRANK SUPPORT LOWER LH	-----						1	
	0523219-5	CHANNEL-AILERON BELLCRANK SUPPORT LOWER RH	-----						1	
-39	0423541-13	STRINGER-WING LH UPPER FORWARD	-----						1	
	0423541-14	STRINGER-WING RH UPPER FORWARD	-----						1	
-40	0423541-15	STRINGER-WING LH UPPER CENTER & UPPER AFT	-----						2	
	0423541-16	STRINGER-WING RH UPPER CENTER & UPPER AFT	-----						2	
-41	NAS680A08	NUTPLATE	-----						2	
-42	0423541-7	STRINGER-WING LH LOWER FORWARD	-----						1	
	0423541-8	STRINGER-WING RH LOWER FORWARD	-----						1	
-43	0423541-9	STRINGER-WING LH LOWER CENTER & LOWER AFT	-----						2	
	0423541-10	STRINGER-WING RH LOWER CENTER & LOWER AFT	-----						2	
-44	0523003-40	STRINGER-AFT OUTBOARD	-----						2	
-45	0523007-14	SKIN-UPPER CENTER SECTION STA 44.125 TO 174 LH	-----						1	
	0426005-26	SKIN-UPPER CENTER SECTION STA 44.125 TO 174 RH	-----						1	
-46	0523007-16	SKIN-UPPER TRAILING EDGE STA 21.375 TO 84	-----						1	
-47	0523003-80	SKIN-UPPER TRAILING EDGE STA 84 TO 174	-----						1	
-48	0523003-81	SKIN-UPPER CENTER SECTION STA 174 TO 192	-----						1	
-49	0426005-14	SKIN-LOWER CENTER SECTION STA 22.125 TO 84 LH	-----						1	
	0426005-27	SKIN-LOWER CENTER SECTION STA 22.125 TO 84 RH	-----						1	
-50	0523007-20	SKIN-LOWER TRAILING EDGE STA 21.375 TO 84 LH	-----						1	
	0523007-19	SKIN-LOWER TRAILING EDGE STA 21.375 TO 84 RH	-----						1	
-51	0523003-62	SKIN-LOWER TRAILING EDGE STA 84 TO 138	-----						1	

CONTINUED ON NEXT PAGE

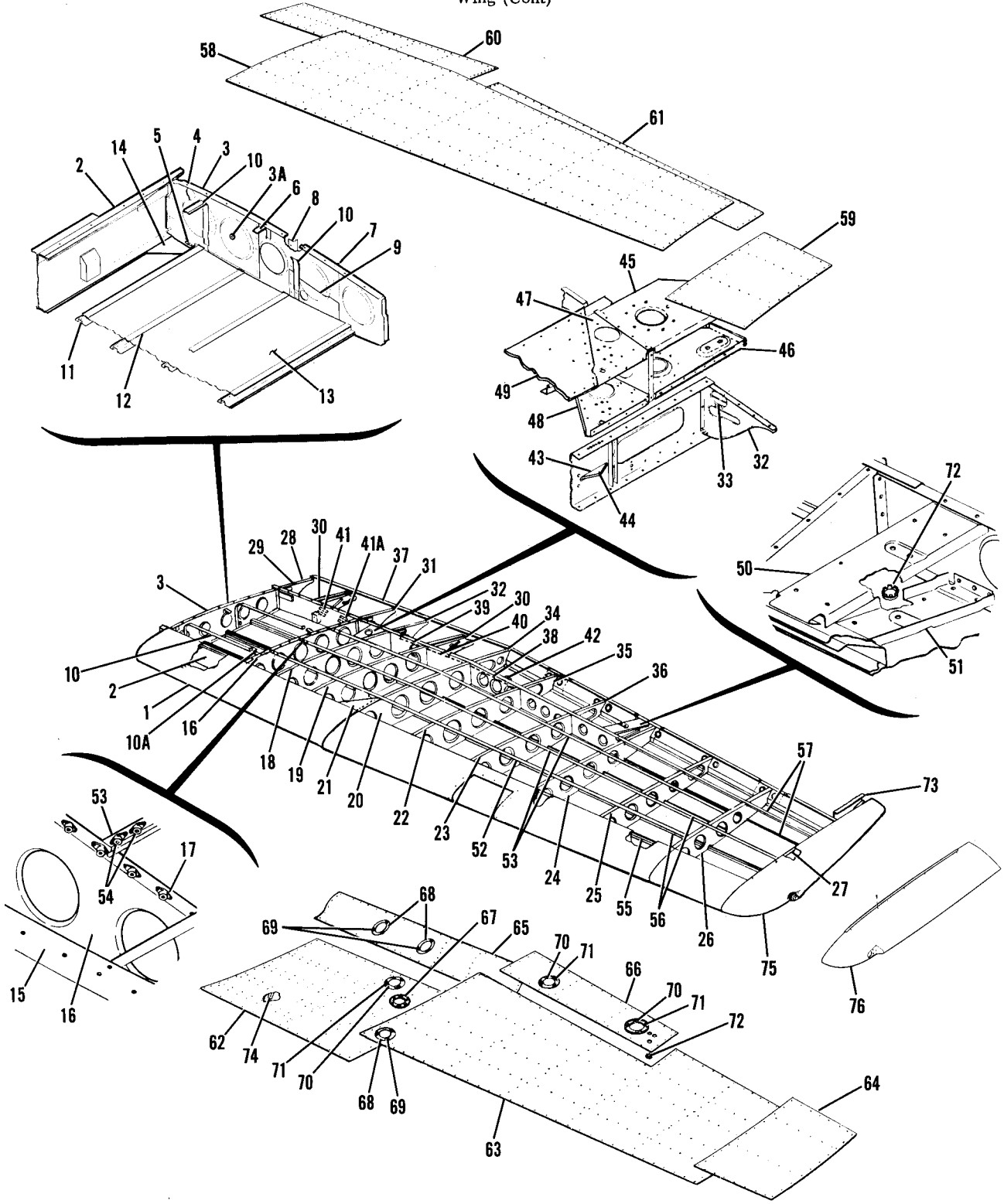
FIGURE AND INDEX NO.	PART NUMBER	DESCRIPTION	UNITS PER ASSY	USABLE ON CODE
4 -52	0523003-74	SKIN-LOWER CENTER SECTION STA 84 TO 174 -----	1	
-53	0523003-83	SKIN-LOWER CENTER SECTION STA 174 TO 192 -----	1	
-54	S237-2	DOUBLER ASSEMBLY-INSPECTION OPENING -----	3	
-55	NAS395-14-3	NUT -----	3	
-56	S330-2	DOUBLER ASSEMBLY-INSPECTION OPENING -----	4	
-57	NAS395-14-3	NUT -----	4	
-58	CM2692-28-1S	PLUG BUTTON -----	1	
-59	0721107-1	FAIRING-LH -----	1	
	0721107-2	FAIRING-RH -----	1	
-60	S1209-1	DOUBLER ASSEMBLY-INSPECTION OPENING RH WING -----	1	
	NAS680A08K	NUTPLATE -----	6	
-61	0426209-2	CATCH ASSY-CABIN DOOR WEU 0426209-4 -----	1	E
	0426209-4	CATCH ASSY-CABIN DOOR -----	1	F
		ATTACHING PARTS		
	AN515-6R6	SCREW -----	1	
		---*---		
-62	0423008-3-791	TIP-WING STANDARD -----	2	B
-63	0523565-201-791	TIP-WING LH CONICAL CAMBER -----	1	C
	0523565-200-791	TIP-WING RH CONICAL CAMBER -----	1	C
	0523565-29-791	TIP ASSEMBLY-WING LH CONICAL CAMBER -----	1	D
	0523565-30-791	TIP ASSEMBLY-WING RH CONICAL CAMBER -----	1	D
		ATTACHING PARTS		
	S102128-8	SCREW -----	12	
	0423008-4	STIFFENER USE ON UPPER SIDE LH TIP & LOWER SIDE RH TIP -----	1	B
		USED WITH STANDARD WING TIP		
	0423008-5	STIFFENER USE ON UPPER SIDE RH TIP & LOWER SIDE LH TIP -----	1	B
		USED WITH STANDARD WING TIP		
	0523565-21	STIFFENER USE ON UPPER SIDE LH TIP & LOWER SIDE RH TIP -----	1	
		USED WITH CONICAL CAMBER WING TIP		
	0523565-22	STIFFENER USE ON UPPER SIDE RH TIP & LOWER SIDE LH TIP -----	1	
		USED WITH CONICAL CAMBER WING TIP		
		---*---		
	NAS1329A06K120	NUT -----	5	D
		A---150 SERIAL 15071129 THRU 15072629 F150 SERIAL F15000530 THRU F15000738		
		B---150 SERIAL 15071129 & ON		
		C---150 SERIAL 15071129 THRU 15072003 F150 SERIAL F15000530 THRU F15000658		
		D---150 SERIAL 15072004 & ON F150 SERIAL F15000659 & ON		
		E---150 SERIAL 15071129 THRU 15072514 F150 SERIAL F15000530 THRU F15000738		
		F---150 SERIAL 15072515 & ON F150 SERIAL F15000739 & ON		
		G---150 SERIAL 15071129 THRU 15072491 F150 SERIAL F15000530 THRU F15000738		
		H---150 SERIAL 15072492 THRU 15073351 F150 SERIAL F15000739 THRU F15000818		
		J---150 SERIAL 15073352 & ON F150 SERIAL F15000819 & ON		
		K---150 SERIAL 15072630 THRU 15074399 F150 SERIAL F15000739 THRU F15000943		
		L---150 SERIAL 15071129 THRU 15073658 F150 SERIAL F15000530 THRU F15000863		
		M---150 SERIAL 15073659 THRU 15074399 F150 SERIAL F15000864 THRU F15000943		
		N---150 SERIAL 15071129 THRU 15074399 F150 SERIAL F15000530 THRU F15000943		
		P---150 SERIAL 15072004 THRU 15074399 F150 SERIAL F15000659 THRU F15000943		
		Q---150 SERIAL 15074400 & ON F150 SERIAL F15000944 & ON		
		R---150 SERIAL 15071129 THRU 15073244 F150 SERIAL F15000530 THRU F15000833		
		S---150 SERIAL 15073245 & ON F150 SERIAL F15000834 & ON		



FIGURE AND INDEX NO.	PART NUMBER	DESCRIPTION			UNITS PER ASSY	USABLE ON CODE
		1	2	3		
		1 2 3 4 5 6 7				
5 -	0422401-1	STRUCTURE ASSEMBLY-WING LH	STANDARD RANGE	AEROBAT	1	C
	0422401-215	WEU 0422401-215				
	0422401-22	STRUCTURE ASSEMBLY-WING LH	STANDARD RANGE	AEROBAT	1	C
	0422401-27	STRUCTURE ASSEMBLY-WING LH	STANDARD RANGE	AEROBAT	1	H
	0422402-2	STRUCTURE ASSEMBLY-WING RH	STANDARD RANGE	AEROBAT	1	L
	0422402-14	STRUCTURE ASSEMBLY-WING RH	STANDARD RANGE	AEROBAT	1	A
	0422402-18	STRUCTURE ASSEMBLY-WING RH	STANDARD RANGE	AEROBAT	1	J
- 1	SEE FIG 9	LEADING EDGE ASSEMBLY-WING			1	
- 2	SEE FIG 11	SPAR ASSEMBLY-WING FRONT			1	
- 3	0426507-7	RIB ASSEMBLY-WING ROOT STA 22.12 LH			1	
	0426507-6	RIB ASSEMBLY-WING ROOT STA 22.12 RH			1	
- 3A	MS35489-9	GROMMET			1	
- 4	NAS680A08K	NUTPLATE			10	
- 5	S1860-2A	NUTPLATE			4	
- 6	0516006-1	STRAP-FUEL TRANSMITTER GROUND			1	
- 7	0422417-1	STIFFENER			1	
- 8	0422417-2	STIFFENER			1	
- 9	0426522-1	STIFFENER ASSEMBLY-LH			1	
	0426522-2	STIFFENER ASSEMBLY-RH			1	
	S1860-2A	NUTPLATE			2	
-10	0426512	STRAP ASSEMBLY-FUEL TANK INBOARD			2	M
	0523522-11	STRAP ASSEMBLY-FUEL TANK INBOARD			2	N
-10A	0426512	STRAP ASSEMBLY-FUEL TANK OUTBOARD			2	M
	0523522-1	STRAP ASSEMBLY-FUEL TANK OUTBOARD			2	N
-11	0426508-2	HAT SECTION-FUEL TANK LOWER LH			4	
	0426506	HAT SECTION-FUEL TANK LOWER RH			4	
-12	S2127-21.69	PAD-HAT SECTION			4	
-13	0422418-1	REINFORCEMENT-LOWER FUEL BAY			1	
-14	0422416-1	GUSSET			1	
-15	0523003-48	DOUBLER			1	
-16	0523508-37	RIB ASSEMBLY-LEFT FUEL CELL STA 44.12			1	K
	0523508-45	RIB ASSEMBLY-LEFT FUEL CELL STA 44.12			1	L
	0523508-16	RIB ASSEMBLY-RIGHT FUEL CELL STA 44.12			1	K
	0523508-36	RIB ASSEMBLY-RIGHT FUEL CELL STA 44.12			1	L
-17	NAS680A08	NUTPLATE			11	
-18	0523509-12	RIB-WING CENTER SECTION STA 56.87 LH	REF 0523509-10		1	
	0523509-12	RIB-WING CENTER SECTION STA 56.87 RH			1	A
	0523509-18	RIB-WING CENTER SECTION STA 56.87 RH			1	G
	0523564-2	DOUBLER-RH WING STA 56.87			1	G
	0523517-4	SPACER			1	
-19	0523509-13	RIB-WING CENTER SECTION STA 69.62			1	
-20	0523510-19	RIB-WING CENTER SECTION STA 84 LH			1	
	0523510-20	RIB-WING CENTER SECTION STA 84 RH			1	
-21	0422410-1	GUSSET-WING STA 84 LH			1	
	0422410-2	GUSSET-WING STA 84 RH			1	
-22	0523511-14	RIB-WING CENTER SECTION STA 102			1	
-23	0523512-19	RIB-WING CENTER SECTION STA 120			1	
-24	0523513-13	RIB-WING CENTER SECTION STA 138 LH			1	
	0523513-14	RIB-WING CENTER SECTION STA 138 RH			1	
-25	0523514-7	RIB-WING CENTER SECTION STA 156			1	
-26	0523515-7	RIB-WING CENTER SECTION STA 174			1	
-27	0720608-7	RIB ASSEMBLY-WING CENTER SECTION STA 192			1	
	S1863-3A	NUTPLATE			10	
-28	0523232-6	RIB-WING ROOT TRAILING EDGE STA 22.12			1	
-29	NAS395-14-3	NUT			4	
-30	0523231-13	RIB ASSEMBLY-FLAP TRACK STA 31.75 & 69.87			2	K
	0523231-21	RIB ASSEMBLY-FLAP TRACK STA 31.75 & 69.87			2	L
	0523231-5	BRACKET			2	
-31	0523233-12	RIB ASSEMBLY-WING TRAILING EDGE STA 44.12			1	K
	0523231-24	RIB ASSEMBLY-WING TRAILING EDGE STA 44.12			1	L
	0523233-8	RUB STRIP			1	
-32	0523233-13	RIB ASSEMBLY-WING TRAILING EDGE STA 56.87			1	
-33	0523233-5	RUB STRIP			1	
-34	0523230-9	RIB ASSEMBLY-WING TRAILING EDGE STA 84 LH			1	
	0523230-8	RIB ASSEMBLY-WING TRAILING EDGE STA 84 RH			1	
	0523230-4	ANGLE LH			1	
	0523230-5	ANGLE RH			1	
-35	0523511-15	RIB-WING TRAILING EDGE STA 102			1	
-36	0523512-22	RIB-WING TRAILING EDGE STA 120			1	

CONTINUED ON NEXT PAGE

Wing (Cont)



A150 SERIAL A1500001 & ON
FA150 SERIAL FA1500001 & ON

Figure 5. Wing Structure Assembly - Aerobat Standard Range



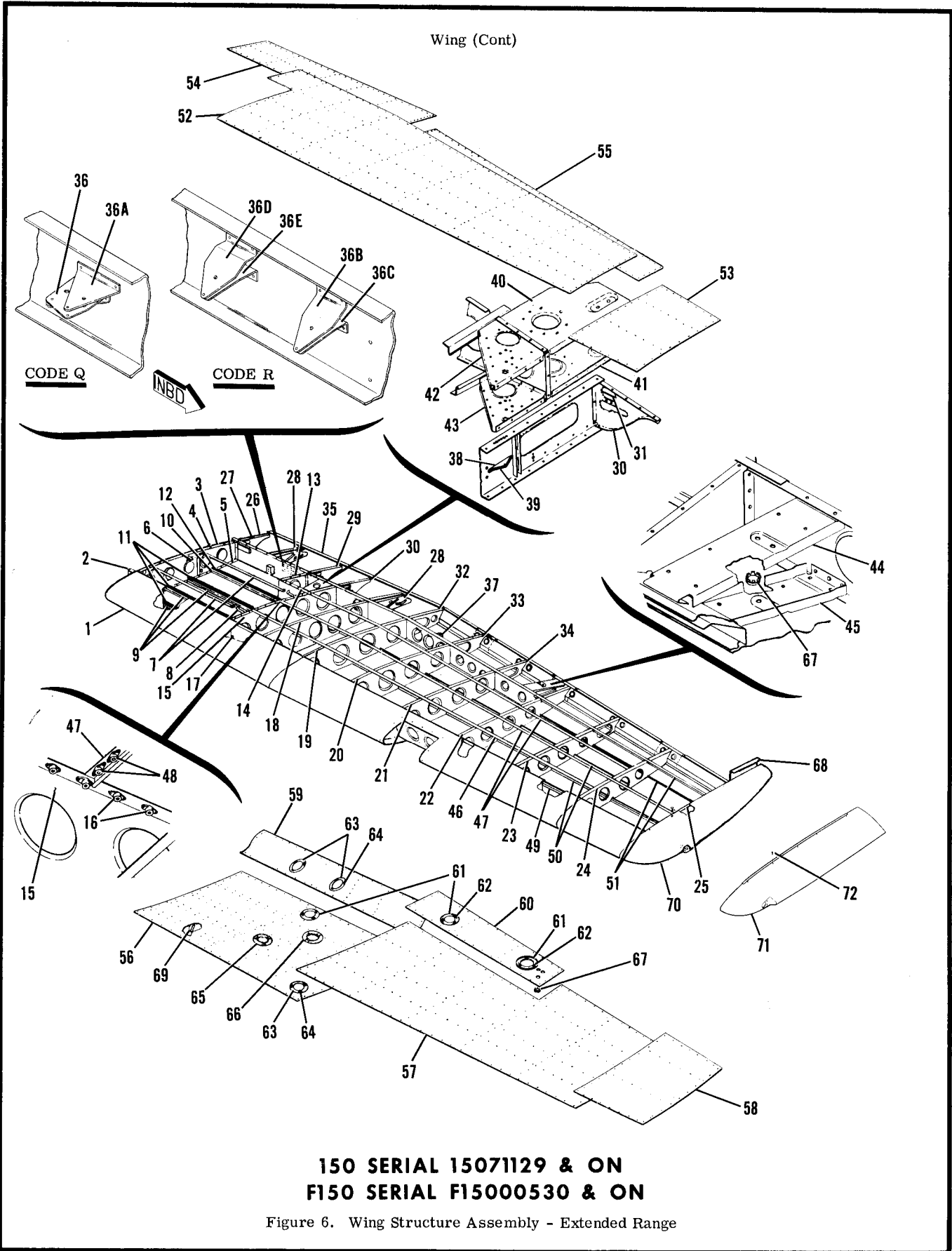
FIGURE AND INDEX NO.	PART NUMBER	DESCRIPTION	UNITS PER ASSY	USABLE ON CODE
				1 2 3 4 5 6 7
5 -37	0720005-2	STIFFENER-TRAILING EDGE -----	1	
-38	0422419-1	STIFFENER-WING SPAR LH -----	1	
	0422419-2	STIFFENER-WING SPAR RH -----	1	
-39	0422419-3	STIFFENER-WING SPAR LH -----	1	
	0422419-4	STIFFENER-WING SPAR RH -----	1	
-40	0422419-5	STIFFENER-WING SPAR LH -----	1	
	0422419-6	STIFFENER-WING SPAR RH -----	1	
-41	0422293-1	BRACKET-LOWER LH -----	1	K
	0422293-2	BRACKET-LOWER RH -----	1	K
	0422293-3	BRACKET-UPPER LH -----	1	K
	0422293-4	BRACKET-UPPER RH -----	1	K
	0460204-1	BRACKET-FLAP PULLEY INBOARD UPPER -----	1	L
	0460204-2	BRACKET-FLAP PULLEY INBOARD LOWER -----	1	L
-41A	0460205-1	BRACKET-FLAP PULLEY OUTBOARD UPPER -----	1	L
	0460205-2	BRACKET-FLAP PULLEY OUTBOARD LOWER -----	1	L
-42	0523408	BRACKET-AILERON PULLEY -----	1	
-43	0523407	BRACKET-FLAP PULLEY -----	1	
-44	0523407-1	BRACKET-FLAP PULLEY -----	1	
-45	0420015-1	BRACKET-FLAP ACTUATOR MOUNT UPPER RH ONLY -----	1	
-46	0420015-2	BRACKET-FLAP ACTUATOR MOUNT LOWER RH ONLY -----	1	
-47	0426515-2	BRACKET-FLAP BELLCRANK SUPPORT UPPER LH -----	1	
	0426515-3	BRACKET-FLAP BELLCRANK SUPPORT UPPER RH -----	1	
-48	0426515-4	BRACKET-FLAP BELLCRANK SUPPORT LOWER LH -----	1	
	0426515-5	BRACKET-FLAP BELLCRANK SUPPORT LOWER RH -----	1	
-49	0422408-1	PLATE-REINFORCEMENT -----	1	
-50	0523219-2	CHANNEL-AILERON BELLCRANK SUPPORT UPPER LH -----	1	
	0523219-3	CHANNEL-AILERON BELLCRANK SUPPORT UPPER RH -----	1	
-51	0523219-4	CHANNEL-AILERON BELLCRANK SUPPORT LOWER LH -----	1	
	0523219-5	CHANNEL-AILERON BELLCRANK SUPPORT LOWER RH -----	1	
-52	0422413-1	STRINGER-WING LH UPPER FORWARD -----	1	
	0422413-2	STRINGER-WING RH UPPER FORWARD -----	1	
-53	0422413-3	STRINGER-WING LH UPPER CENTER & UPPER AFT -----	2	
	0422413-4	STRINGER-WING RH UPPER CENTER & UPPER AFT -----	2	
-54	NAS680A08	NUTPLATE -----	2	
-55	0422413-5	STRINGER-WING LH LOWER FORWARD -----	1	
	0422413-6	STRINGER-WING RH LOWER FORWARD -----	1	
-56	0422413-7	STRINGER-WING LH LOWER CENTER & LOWER AFT -----	2	
	0422413-8	STRINGER-WING RH LOWER CENTER & LOWER AFT -----	2	
-57	0523003-40	STRINGER-AFT OUTBOARD -----	2	
-58	0422401-2	SKIN-UPPER CENTER SECTION STA 44.12 TO 174 LH -----	1	
	0422402-11	SKIN-UPPER CENTER SECTION STA 44.12 TO 174 RH -----	1	
-59	0422401-7	SKIN-UPPER CENTER SECTION STA 174 TO 192 -----	1	
-60	0422401-8	SKIN-UPPER TRAILING EDGE STA 22-12 TO 84 -----	1	
-61	0422401-9	SKIN-UPPER TRAILING EDGE STA 84 TO 174 -----	1	
-62	0422401-10	SKIN-LOWER CENTER SECTION STA 22.12 TO 69.62 LH -----	1	
	0422402-1	SKIN-LOWER CENTER SECTION STA 22.12 TO 69.62 RH -----	1	
-63	0422401-11	SKIN-LOWER CENTER SECTION STA 69.62 TO 174 -----	1	
-64	0422401-12	SKIN-LOWER CENTER SECTION STA 174 TO 192 -----	1	
-65	0422401-13	SKIN-LOWER TRAILING EDGE STA 22.12 TO 84 LH -----	1	
	0422402-7	SKIN-LOWER TRAILING EDGE STA 22.12 TO 84 RH -----	1	
-66	0422401-14	SKIN-LOWER TRAILING EDGE STA 84 TO 138 -----	1	
-67	S1209-1	DOUBLER-INSPECTION OPENING RH WING -----	1	
	NAS680A08K	NUT -----	6	
-68	S237-2	DOUBLER-INSPECTION OPENING -----	3	
-69	NAS395-14-3	NUT -----	3	
-70	S330-2	DOUBLER-INSPECTION OPENING -----	3	
-71	NAS395-14-3	NUT -----	4	
-72	CM2692-28-1B	PLUG BUTTON -----	1	
-73	0721107-1	FAIRING LH -----	1	
	0721107-2	FAIRING RH -----	1	
-74	0426209-2	CATCH ASSY-CABIN DOOR WEU 0426209-4 -----	1	E
	0426209-4	CATCH ASSY-CABIN DOOR -----	1	F
		ATTACHING PARTS		
	AN515-6R6	SCREW -----	1	
	NAS680A06	NUTPLATE -----	1	
		---*---		

CONTINUED ON NEXT PAGE

FIGURE AND INDEX NO.	PART NUMBER	DESCRIPTION	UNITS PER ASSY	USABLE ON CODE	
					1 2 3 4 5 6 7
5 -75 -76	0423008-3-791	TIP-WING STANDARD -----	2	B	
	0523565-201-791	TIP-WING LH CONICAL CAMBER -----	1	C	
	0523565-200-791	TIP-WING RH CONICAL CAMBER -----	1	C	
	0523565-29-791	TIP ASSEMBLY-WING LH CONICAL CAMBER -----	1	D	
	0523565-30-791	TIP ASSEMBLY-WING RH CONICAL CAMBER -----	1	D	
		ATTACHING PARTS			
	S102128-8	SCREW -----	12		
	0423008-4	STIFFENER USE ON UPPER SIDE LH TIP & LOWER SIDE RH TIP ----- USED WITH STANDARD WING TIP	1	B	
	0423008-5	STIFFENER USE ON UPPER SIDE RH TIP & LOWER SIDE LH TIP ----- USED WITH STANDARD WING TIP	1	B	
	0523565-21	STIFFENER USE ON UPPER SIDE LH TIP & LOWER SIDE RH TIP ----- USED WITH CONICAL CAMBER WING TIP	1		
	0523565-22	STIFFENER USE ON UPPER SIDE RH TIP & LOWER SIDE LH TIP ----- USED WITH CONICAL CAMBER WING TIP	1		
		*-----			
	NAS1329A06K120	NUT -----	5	D	
		A---A150 SERIAL A1500001 THRU A1500277 FA150 SERIAL FA1500001 THRU FA1500132			
		B---A150 SERIAL A1500001 & ON			
		C---A150 SERIAL A1500001 THRU A1500226 FA150 SERIAL FA1500001 THRU FA1500081			
		D---A150 SERIAL A1500227 & ON FA150 SERIAL FA1500082 & ON			
		E---A150 SERIAL A1500001 THRU A1500262 FA150 SERIAL FA1500001 THRU FA1500161			
		F---A150 SERIAL A1500263 & ON FA150 SERIAL FA1500162 & ON			
		G---A150 SERIAL A1500278 & ON FA150 SERIAL FA1500133 & ON			
		H---A150 SERIAL A1500227 THRU A1500387 FA150 SERIAL FA1500082 THRU FA1500211			
		J---A150 SERIAL A1500278 THRU A1500387 FA150 SERIAL FA1500133 THRU FA1500211			
		K---A150 SERIAL A1500001 THRU A1500387 FA150 SERIAL FA1500001 THRU FA1500211			
	L---A150 SERIAL A1500388 & ON FA150 SERIAL FA1500212 & ON				
	M---A150 SERIAL A1500001 THRU A1500322 FA150 SERIAL FA1500001 THRU FA1500166				
	N---A150 SERIAL A1500323 & ON FA150 SERIAL FA1500167 & ON				

This page intentionally left blank.

Wing (Cont)



150 SERIAL 15071129 & ON
F150 SERIAL F15000530 & ON

Figure 6. Wing Structure Assembly - Extended Range

FIGURE AND INDEX NO.	PART NUMBER	DESCRIPTION	UNITS PER ASSY	USABLE ON CODE
		1 2 3 4 5 6 7		
6 -	0426005-41	STRUCTURE ASSEMBLY-WING LH EXTENDED RANGE WEU 0426005-223	1	C
	0426005-223	STRUCTURE ASSEMBLY-WING LH EXTENDED RANGE	1	C
	0426005-92	STRUCTURE ASSEMBLY-WING LH EXTENDED RANGE WEU 0426005-99	1	N
	0426005-99	STRUCTURE ASSEMBLY-WING LH EXTENDED RANGE	1	R
	0426005-40	STRUCTURE ASSEMBLY-WING RH EXTENDED RANGE WEU 0426005-96	1	A
	0426005-96	STRUCTURE ASSEMBLY-WING RH EXTENDED RANGE WEU 0426005-100	1	P
	0426005-100	STRUCTURE ASSEMBLY-WING RH EXTENDED RANGE	1	R
- 1	SEE FIG 8	LEADING EDGE ASSEMBLY-WING	1	
- 2	SEE FIG 10	SPAR ASSEMBLY-WING FRONT	1	
- 3	0426507	RIB ASSEMBLY-WING ROOT LH STA 22.12	1	
	0426507-1	RIB ASSEMBLY-WING ROOT RH STA 22.12	1	
- 4	NAS680A08	NUTPLATE	7	
- 5	S1860-2A	NUTPLATE	6	
- 6	0516006-1	STRAP-FUEL TRANSMITTER GROUND	1	
- 7	0426512-12	STRAP ASSEMBLY-FUEL TANK	2	
- 8	0523522-1	STRAP ASSEMBLY-FUEL TANK	2	
- 9	0426506-1	HAT SECTION-FUEL TANK LOWER	3	
-10	0426506	HAT SECTION-FUEL TANK LOWER	1	
-11	S2127-35.56	PAD-HAT SECTION	3	
-12	S2127-21.69	PAD-HAT SECTION	1	
-13	0721111-9	RIB ASSEMBLY-STUB STA 44.125 LH	1	Q
	0721111-37	RIB ASSEMBLY-STUB STA 44.125 LH	1	R
	0721111-10	RIB ASSEMBLY-STUB STA 44.125 RH	1	Q
	0721111-38	RIB ASSEMBLY-STUB STA 44.125 RH	1	R
	NAS680A08	NUTPLATE	2	
-14	0523505-1	BULKHEAD ASSEMBLY-TANK WELL LH	1	
	0523505-2	BULKHEAD ASSEMBLY-TANK WELL RH	1	
	NAS680A08	NUTPLATE	4	
-15	0523508-12	RIB ASSEMBLY-LEFT FUEL CELL STA 58 WEU 0523508-25	1	J
	0523508-25	RIB ASSEMBLY-LEFT FUEL CELL STA 58	1	K
	0523508-13	RIB ASSEMBLY-RIGHT FUEL CELL STA 58	1	A
	0523508-26	RIB ASSEMBLY-RIGHT FUEL CELL STA 58	1	L
-16	NAS680A08	NUTPLATE	9	
	0523564-1	DOUBLER-RH WING STA 58	1	P
-17	0523517-4	SPACER-RIB FORWARD STA 58	1	
-18	0523509-2	RIB-WING CENTER SECTION STA 69.625 WEU 0722201-2	1	G
	0523509-14	RIB-WING CENTER SECTION STA 69.625 WEU 0722201-2	1	H
	0722201-2	RIB-WING CENTER SECTION STA 69.625	1	M
-19	0523510-7	RIB-WING CENTER SECTION STA 84 LH	1	
	0523510-6	RIB-WING CENTER SECTION STA 84 RH	1	
-20	0523511-3	RIB-WING CENTER SECTION STA 102	1	
-21	0523512-3	RIB-WING CENTER SECTION STA 120	1	
-22	0523513-9	RIB-WING CENTER SECTION STA 138 LH	1	
	0523513-10	RIB-WING CENTER SECTION STA 138 RH	1	
-23	0523514-3	RIB-WING CENTER SECTION STA 156	1	
-24	0523515-3	RIB-WING CENTER SECTION STA 174	1	
-25	0720608-7	RIB ASSEMBLY-WING CENTER SECTION STA 192	1	
	NAS680A08	NUTPLATE	10	
-26	0523232-2	RIB-WING ROOT TRAILING EDGE STA 22.125	1	
-27	NAS395-14-3	NUT	4	
-28	0523231-13	RIB ASSEMBLY-FLAP TRACK STA 31.750 & 69.875	2	Q
	0523231-21	RIB ASSEMBLY-FLAP TRACK STA 31.750 & 69.875	2	R
	0523231-5	BRACKET	2	
-29	0523233-9	RIB ASSEMBLY-WING TRAILING EDGE STA 44.125	1	Q
	0523233-24	RIB ASSEMBLY-WING TRAILING EDGE STA 44.125	1	R
	0523233-8	RUB STRIP	1	
-30	0523233-4	RIB ASSEMBLY-WING TRAILING EDGE STA 56.875	1	
-31	0523233-5	RUB STRIP	1	
-32	0523230	RIB-WING TRAILING EDGE STA 84 LH	1	
	0523230-1	RIB-WING TRAILING EDGE STA 84 RH	1	
	0523230-4	ANGLE LH ONLY	1	
	0523240-5	ANGLE RH ONLY	1	
-33	0523511-4	RIB-WING TRAILING EDGE STA 102	1	
-34	0523512-4	RIB-WING TRAILING EDGE STA 120	1	
-35	0720005-2	STIFFENER-TRAILING EDGE	1	

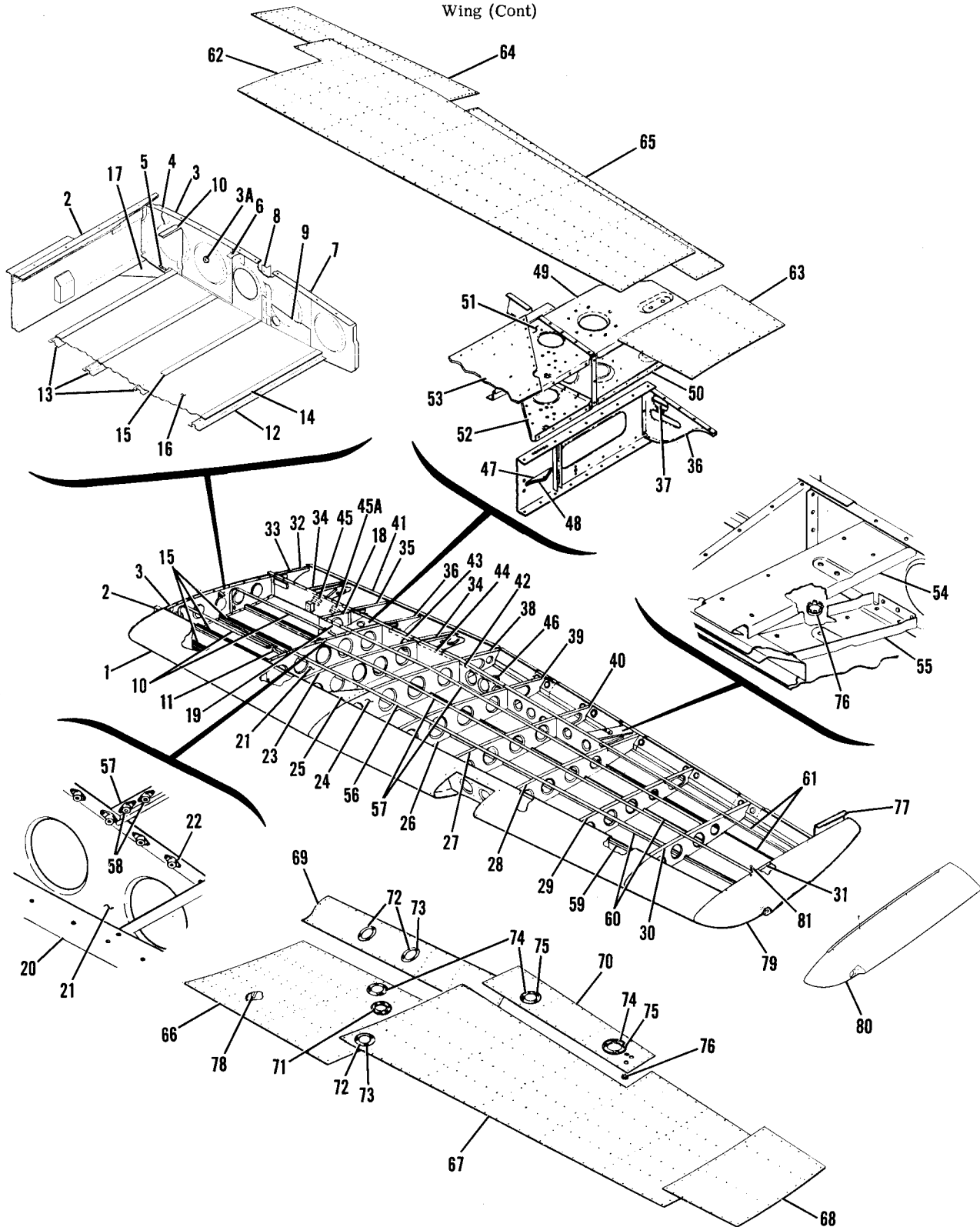
CONTINUED ON NEXT PAGE



FIGURE AND INDEX NO.	PART NUMBER	DESCRIPTION	UNITS PER ASSY	USABLE
				ON CODE
		1 2 3 4 5 6 7		
6 -36	0422293-1	BRACKET-LOWER LH -----	1	Q
	0422293-2	BRACKET-LOWER RH -----	1	Q
-36A	0422293-3	BRACKET-UPPER LH -----	1	Q
	0422293-4	BRACKET-UPPER RH -----	1	Q
-36B	0460204-1	BRACKET-FLAP PULLEY INBOARD UPPER -----	1	R
-36C	0460204-2	BRACKET-FLAP PULLEY INBOARD LOWER -----	1	R
-36D	0460205-1	BRACKET-FLAP PULLEY OUTBOARD UPPER -----	1	R
-36E	0460205-2	BRACKET-FLAP PULLEY OUTBOARD LOWER -----	1	R
-37	0523408	BRACKET-AILERON PULLEY -----	1	
-38	0523407	BRACKET-FLAP PULLEY -----	1	
-39	0523407-1	BRACKET-FLAP PULLEY -----	1	
-40	0420015-1	BRACKET-FLAP ACTUATOR MOUNT UPPER RH -----	1	
-41	0420015-2	BRACKET-FLAP ACTUATOR MOUNT LOWER RH -----	1	
-42	0523539-7	BRACKET-FLAP BELLCRANK SUPPORT UPPER LH -----	1	
	0523539-8	BRACKET-FLAP BELLCRANK SUPPORT UPPER RH -----	1	
-43	0523539-9	BRACKET-FLAP BELLCRANK SUPPORT LOWER LH -----	1	
	0523539-10	BRACKET-FLAP BELLCRANK SUPPORT LOWER RH -----	1	
-44	0523219-2	CHANNEL-AILERON BELLCRANK SUPPORT UPPER LH -----	1	
	0523219-3	CHANNEL-AILERON BELLCRANK SUPPORT UPPER RH -----	1	
-45	0523219-4	CHANNEL-AILERON BELLCRANK SUPPORT LOWER LH -----	1	
	0523219-5	CHANNEL-AILERON BELLCRANK SUPPORT LOWER RH -----	1	
-46	0423541-19	STRINGER-WING LH UPPER FORWARD -----	1	
	0423541-20	STRINGER-WING RH UPPER FORWARD -----	1	
-47	0423541-21	STRINGER-WING LH UPPER CENTER & UPPER AFT -----	2	
	0423541-22	STRINGER-WING RH UPPER CENTER & UPPER AFT -----	2	
-48	NAS680A08	NUTPLATE -----	2	
-49	0423541-31	STRINGER-WING LH LOWER FORWARD -----	1	
	0423541-32	STRINGER-WING RH LOWER FORWARD -----	1	
-50	0423541-33	STRINGER-WING LH LOWER CENTER & LOWER AFT -----	2	
	0423541-34	STRINGER-WING RH LOWER CENTER & LOWER AFT -----	2	
-51	0523003-40	STRINGER-AFT OUTBOARD -----	2	
-52	0523007-24	SKIN-UPPER CENTER SECTION STA 44.125 TO 174 LH -----	1	
	0426005-31	SKIN-UPPER CENTER SECTION STA 44.125 TO 174 RH -----	1	
-53	0523003-81	SKIN-UPPER CENTER SECTION STA 174 TO 192 -----	1	
-54	0523007-16	SKIN-UPPER TRAILING EDGE STA 21.375 TO 84 -----	1	
-55	0523003-80	SKIN-UPPER TRAILING EDGE STA 84 TO 174 -----	1	
-56	0426005-14	SKIN-LOWER CENTER SECTION STA 22.125 TO 84 LH -----	1	
	0426005-32	SKIN-LOWER CENTER SECTION STA 22.125 TO 84 RH -----	1	
-57	0523003-74	SKIN-LOWER CENTER SECTION STA 84 TO 174 -----	1	
-58	0523003-83	SKIN-LOWER CENTER SECTION STA 174 TO 192 -----	1	
-59	0523007-20	SKIN-LOWER TRAILING EDGE STA 21.375 TO 84 LH -----	1	
	0523007-19	SKIN-LOWER TRAILING EDGE STA 21.375 TO 84 RH -----	1	
-60	0523003-62	SKIN-LOWER TRAILING EDGE STA 84 TO 138 -----	1	
-61	S330-2	DOUBLER-INSPECTION OPENING -----	3	
-62	NAS395-14-3	NUTPLATE -----	4	
-63	S237-2	DOUBLER-INSPECTION OPENING -----	3	
-64	NAS395-14-3	NUTPLATE -----	3	
-65	S237-2	DOUBLER-INSPECTION OPENING LH WING ONLY -----	1	
	NAS395-14-3	NUTPLATE -----	3	
-66	S1209-1	DOUBLER-INSPECTION OPENING RH WING ONLY -----	1	
	NAS680A08K	NUTPLATE -----	6	
-67	CM2692-28-1S	PLUG BUTTON -----	1	
-68	0721107-1	FAIRING-LH -----	1	
	0721107-2	FAIRING-RH -----	1	
-69	0426209-2	CATCH ASSY-CABIN DOOR WEU 0426209-4 -----	1	E
	0426209-4	CATCH ASSY-CABIN DOOR -----	1	F
		ATTACHING PARTS -----		
	AN515-6R6	SCREW -----	1	
	NAS680A06	NUTPLATE -----	1	
		---*---		

CONTINUED ON NEXT PAGE

FIGURE AND INDEX NO.	PART NUMBER	DESCRIPTION	UNITS PER ASSY	USABLE ON CODE
		1 2 3 4 5 6 7		
6 -70 -71	0423008-3-791	TIP-WING STANDARD -----	2	B
	0523565-201-791	TIP-WING LH CONICAL CAMBER -----	1	C
	0523565-200-791	TIP-WING RH CONICAL CAMBER -----	1	C
	0523565-29-791	TIP ASSEMBLY-WING LH CONICAL CAMBER -----	1	D
	0523565-30-791	TIP ASSEMBLY-WING RH CONICAL CAMBER -----	1	D
		ATTACHING PARTS		
-72	S102178-8	SCREW -----	12	
	0423008-4	STIFFENER USE ON UPPER SIDE LH TIP & LOWER SIDE RH TIP ----- USED WITH STANDARD WING TIP	1	B
	0423008-5	STIFFENER USE ON UPPER SIDE RH TIP & LOWER SIDE LH TIP ----- USED WITH STANDARD WING TIP	1	B
	0523565-21	STIFFENER USE ON UPPER SIDE LH TIP & LOWER SIDE RH TIP ----- USED WITH CONICAL CAMBER WING TIP	1	
	0523565-22	STIFFENER USE ON UPPER SIDE RH TIP & LOWER SIDE LH TIP ----- USED WITH CONICAL CAMBER WING TIP	1	
	NAS1329A06K120	NUT -----	5	D
		A---150 SERIAL 15071129 THRU 15072629 F150 SERIAL F15000530 THRU F15000738		
		B---150 SERIAL 15071129 & ON		
		C---150 SERIAL 15071129 THRU 15072003 F150 SERIAL F15000530 THRU F15000658		
		D---150 SERIAL 15072004 & ON F150 SERIAL F15000659 & ON		
		E---150 SERIAL 15071129 THRU 15072514 F150 SERIAL F15000530 THRU F15000738		
		F---150 SERIAL 15072515 & ON F150 SERIAL F15000739 & ON		
		G---150 SERIAL 15071129 THRU 15072491 F150 SERIAL F15000530 THRU F15000738		
		H---150 SERIAL 15072492 THRU 15073351 F150 SERIAL F15000739 THRU F15000818		
		J---150 SERIAL 15071129 THRU 15072602 F150 SERIAL F15000530 THRU F15000778		
		K---150 SERIAL 15072603 & ON F150 SERIAL F15000779 & ON		
		L---150 SERIAL 15072630 & ON F150 SERIAL F15000739 & ON		
		M---150 SERIAL 15073352 & ON F150 SERIAL F15000819 & ON		
		N---150 SERIAL 15072004 THRU 15074399 F150 SERIAL F15000659 THRU F15000943		
		P---150 SERIAL 15072630 THRU 15074399 F150 SERIAL F15000739 THRU F15000943		
		Q---150 SERIAL 15071129 THRU 15074399 F150 SERIAL F15000530 THRU F15000943		
		R---150 SERIAL 15074400 & ON F150 SERIAL F15000944 & ON		



A150 SERIAL A1500001 & ON
FA150 SERIAL FA1500001 & ON

Figure 7. Wing Structure Assembly - Aerobat Extended Range

FIGURE AND INDEX NO.	PART NUMBER	DESCRIPTION	UNITS PER ASSY	USABLE ON CODE
		1 2 3 4 5 6 7		
7 -	0422401-3	STRUCTURE ASSEMBLY-WING LH EXTENDED RANGE AEROBAT -----	1	C
	0422401-217	WEU 0422401-217		
	0422401-23	STRUCTURE ASSEMBLY-WING LH EXTENDED RANGE AEROBAT -----	1	C
		WEU 0422401-29		K
	0422401-29	STRUCTURE ASSEMBLY-WING LH EXTENDED RANGE AEROBAT -----	1	N
	0422402-4	STRUCTURE ASSEMBLY-WING RH EXTENDED RANGE AEROBAT -----	1	A
		WEU 0422402-16		
	0422402-16	STRUCTURE ASSEMBLY-WING RH EXTENDED RANGE AEROBAT -----	1	L
		WEU 0422402-20		
	0422402-20	STRUCTURE ASSEMBLY-WING RH EXTENDED RANGE AEROBAT -----	1	N
- 1	SEE FIG 9	LEADING EDGE ASSEMBLY-WING -----	1	
- 2	SEE FIG 11	SPAR ASSEMBLY-WING FRONT -----	1	
- 3	0426507-7	RIB ASSEMBLY-WING ROOT STA 22.12 LH -----	1	
	0426507-6	RIB ASSEMBLY-WING ROOT STA 22.12 RH -----	1	
- 3A	MS35489-9	GROMMET -----	1	
- 4	NAS680A08K	NUTPLATE -----	10	
- 5	S1860-2A	NUTPLATE -----	4	
- 6	1516006-1	STRAP-FUEL TRANSMITTER GROUND -----	1	
- 7	0422417-1	STIFFENER -----	1	
- 8	0422417-2	STIFFENER -----	1	
- 9	0426522-1	STIFFENER ASSEMBLY-LH -----	1	
	0426522-2	STIFFENER ASSEMBLY-RH -----	1	
	S1860-2A	NUTPLATE -----	2	
-10	0426512-6	STRAP ASSEMBLY-FUEL TANK -----	2	
-11	0523522-1	STRAP ASSEMBLY-FUEL TANK -----	2	
-12	0426506-2	HAT SECTION-FUEL TANK LOWER LH -----	1	
	0426506	HAT SECTION-FUEL TANK LOWER RH -----	1	
-13	0426506-3	HAT SECTION-FUEL TANK LOWER LH -----	3	
	0426506-1	HAT SECTION-FUEL TANK LOWER RH -----	3	
-14	S2127-21.69	PAD-HAT SECTION -----	1	
-15	S2127-35.56	PAD-HAT SECTION -----	3	
-16	0422418-1	REINFORCEMENT-LOWER FUEL BAY -----	1	
-17	0422416-1	GUSSET -----	1	
-18	0721111-29	RIB ASSEMBLY-STUB STA 44.12 LH -----	1	M
	0721111-37	RIB ASSEMBLY-STUB STA 44.12 LH -----	1	N
	0721111-30	RIB ASSEMBLY-STUB STA 44.12 RH -----	1	M
	0721111-38	RIB ASSEMBLY-STUB STA 44.12 RH -----	1	N
	NAS680A08	NUTPLATE -----	2	
-19	0523505-5	BULKHEAD ASSEMBLY-TANK WELL LH -----	1	
	0523505-6	BULKHEAD ASSEMBLY-TANK WELL RH -----	1	
	NAS680A08	NUTPLATE -----	4	
-20	0523003-48	DOUBLER -----	1	
-21	0523508-21	RIB ASSEMBLY-LEFT FUEL CELL STA 58 WEU 0523508-29 -----	1	G
	0523508-29	RIB ASSEMBLY-LEFT FUEL CELL STA 58 -----	1	H
	0523508-20	RIB ASSEMBLY-RIGHT FUEL CELL STA 58 -----	1	A
	0523508-28	RIB ASSEMBLY-RIGHT FUEL CELL STA 58 -----	1	J
-22	NAS680A08	NUTPLATE -----	9	
	0523561-1	DOUBLER-RH WING STA 58 -----	1	J
-23	0523509-13	RIB-WING CENTER SECTION STA 69.62 -----	1	
-24	0523510-19	RIB-WING CENTER SECTION STA 84 LH -----	1	
	0523510-20	RIB-WING CENTER SECTION STA 84 RH -----	1	
-25	0422410-1	GUSSET-WING STA 84 LH -----	1	
	0422410-2	GUSSET-WING STA 84 RH -----	1	
-26	0523511-14	RIB-WING CENTER SECTION STA 102 -----	1	
-27	0523512-19	RIB-WING CENTER SECTION STA 120 -----	1	
-28	0523513-13	RIB-WING CENTER SECTION STA 138 LH -----	1	
	0523513-14	RIB-WING CENTER SECTION STA 138 RH -----	1	
-29	0523514-7	RIB-WING CENTER SECTION STA 156 -----	1	
-30	0523515-7	RIB-WING CENTER SECTION STA 174 -----	1	
-31	0720608-7	RIB ASSEMBLY-WING CENTER SECTION STA 192 -----	1	
	S1863-3A	NUTPLATE -----	10	
-32	0523232-6	RIB-WING ROOT TRAILING EDGE STA 22.12 -----	1	
-33	NAS395-14-3	NUT -----	4	
-34	0523231-13	RIB ASSEMBLY-FLAP TRACK STA 31.75 & 69.37 -----	2	M
	0523231-21	RIB ASSEMBLY-FLAP TRACK STA 31.75 & 69.37 -----	2	N
	0523231-5	BRACKET -----	2	
-35	0523233-12	RIB ASSEMBLY-WING TRAILING EDGE STA 44.12 -----	1	M
	0523233-24	RIB ASSEMBLY-WING TRAILING EDGE STA 44.12 -----	1	N
	0523233-8	RUB STRIP -----	1	

CONTINUED ON NEXT PAGE



FIGURE AND INDEX NO.	PART NUMBER	DESCRIPTION	UNITS PER ASSY							USABLE ON CODE	
			1	2	3	4	5	6	7		
7 -36	0523233-13	RIB ASSEMBLY-WING TRAILING EDGE STA 56.87								1	
-37	0523233-5	RUB STRIP								1	
-38	0523230-9	RIB ASSEMBLY-WING TRAILING EDGE STA 84 LH								1	
	0423230-8	RIB ASSEMBLY-WING TRAILING EDGE STA 84 RH								1	
	0523230-4	ANGLE LH								1	
	0523230-5	ANGLE RH								1	
-39	0523511-15	RIB-WING TRAILING EDGE STA 102								1	
-40	0523512-22	RIB-WING TRAILING EDGE STA 120								1	
-41	0720005-2	STIFFENER-TRAILING EDGE								1	
-42	0422419-1	STIFFENER-WING SPAR LH								1	
	0422419-2	STIFFENER-WING SPAR RH								1	
-43	0422419-3	STIFFENER-WING SPAR LH								1	
	0422419-4	STIFFENER-WING SPAR RH								1	
-44	0422419-5	STIFFENER-WING SPAR LH								1	
	0422419-6	STIFFENER-WING SPAR RH								1	
-45	0422293-1	BRACKET-LOWER LH								1	M
	0422293-2	BRACKET-LOWER RH								1	M
	0422293-3	BRACKET-UPPER LH								1	M
	0422293-4	BRACKET-UPPER RH								1	M
	0460204-1	BRACKET-FLAP PULLEY INBOARD UPPER								1	
	0460204-2	BRACKET-FLAP PULLEY INBOARD LOWER								1	
-45A	0460205-1	BRACKET-FLAP PULLEY OUTBOARD UPPER								1	
	0460205-2	BRACKET-FLAP PULLEY OUTBOARD LOWER								1	
-46	0523408	BRACKET-AILERON PULLEY								1	
-47	0523407	BRACKET-FLAP PULLEY								1	
-48	0523407-1	BRACKET-FLAP PULLEY								1	
-49	0420015-1	BRACKET-FLAP ACTUATOR MOUNT UPPER RH ONLY								1	
-50	0420015-2	BRACKET-FLAP ACTUATOR MOUNT LOWER RH ONLY								1	
-51	0523539-7	BRACKET-FLAP BELLCRANK SUPPORT UPPER LH								1	
	0523539-8	BRACKET-FLAP BELLCRANK SUPPORT UPPER RH								1	
-52	0523539-9	BRACKET-FLAP BELLCRANK SUPPORT LOWER LH								1	
	0523539-10	BRACKET-FLAP BELLCRANK SUPPORT LOWER RH								1	
-53	0422408-2	PLATE-REINFORCEMENT								1	
-54	0523219-2	CHANNEL-AILERON BELLCRANK SUPPORT UPPER LH								1	
	0523219-3	CHANNEL-AILERON BELLCRANK SUPPORT UPPER RH								1	
-55	0523219-4	CHANNEL-AILERON BELLCRANK SUPPORT LOWER LH								1	
	0523219-5	CHANNEL-AILERON BELLCRANK SUPPORT LOWER RH								1	
-56	0422413-9	STRINGER-WING LH UPPER FORWARD								1	
	0422413-10	STRINGER-WING RH UPPER FORWARD								1	
-57	0422413-11	STRINGER-WING LH UPPER CENTER & UPPER AFT								2	
	0422413-12	STRINGER-WING RH UPPER CENTER & UPPER AFT								2	
-58	NAS680A08	NUTPLATE								2	
-59	0422413-13	STRINGER-WING LH LOWER FORWARD								1	
	0422413-14	STRINGER-WING RH LOWER FORWARD								1	
-60	0422413-15	STRINGER-WING LH LOWER CENTER & LOWER AFT								2	
	0422413-16	STRINGER-WING RH LOWER CENTER & LOWER AFT								2	
-61	0523003-40	STRINGER-AFT OUTBOARD								2	
-62	0422401-21	SKIN-UPPER CENTER SECTION STA 44.12 TO 174 LH								1	
	0422402-12	SKIN-UPPER CENTER SECTION STA 44.12 TO 174 RH								1	
-63	0422401-7	SKIN-UPPER CENTER SECTION STA 174 TO 192								1	
-64	0422401-17	SKIN-UPPER TRAILING EDGE STA 22.12 TO 84								1	
-65	0422401-9	SKIN-UPPER TRAILING EDGE STA 84 TO 174								1	
-66	0422401-16	SKIN-LOWER CENTER SECTION STA 22.12 TO 69.62 LH								1	
	0422402-9	SKIN-LOWER CENTER SECTION STA 22.12 TO 69.62 RH								1	
-67	0422401-11	SKIN-LOWER CENTER SECTION STA 69.62 TO 174								1	
-68	0422401-12	SKIN-LOWER CENTER SECTION STA 174 TO 192								1	
-69	0422401-18	SKIN-LOWER TRAILING EDGE STA 22.12 TO 84 LH								1	
	0422402-10	SKIN-LOWER TRAILING EDGE STA 22.12 TO 84 RH								1	
-70	0422401-14	SKIN-LOWER TRAILING EDGE STA 84 TO 138								1	
-71	S1209-1	DOUBLER-INSPECTION OPENING RH WING								1	
	NAS680A08K	NUT								6	
-72	S237-2	DOUBLER-INSPECTION OPENING								3	
-73	NAS395-14-3	NUT								3	
-74	S330-2	DOUBLER-INSPECTION OPENING								3	
-75	NAS395-14-3	NUT								4	
-76	CM2692-28-1B	PLUG BUTTON								1	
-77	0721107-1	FAIRING LH								1	
	0721107-2	FAIRING RH								1	
-78	0426209-2	CATCH ASSY-CABIN DOOR WEU 0426209-4								1	E
	0426209-4	CATCH ASSY-CABIN DOOR ATTACHING PARTS								1	F
	AN515-6R6	SCREW								1	
	NAS680A06	NUTPLATE								1	

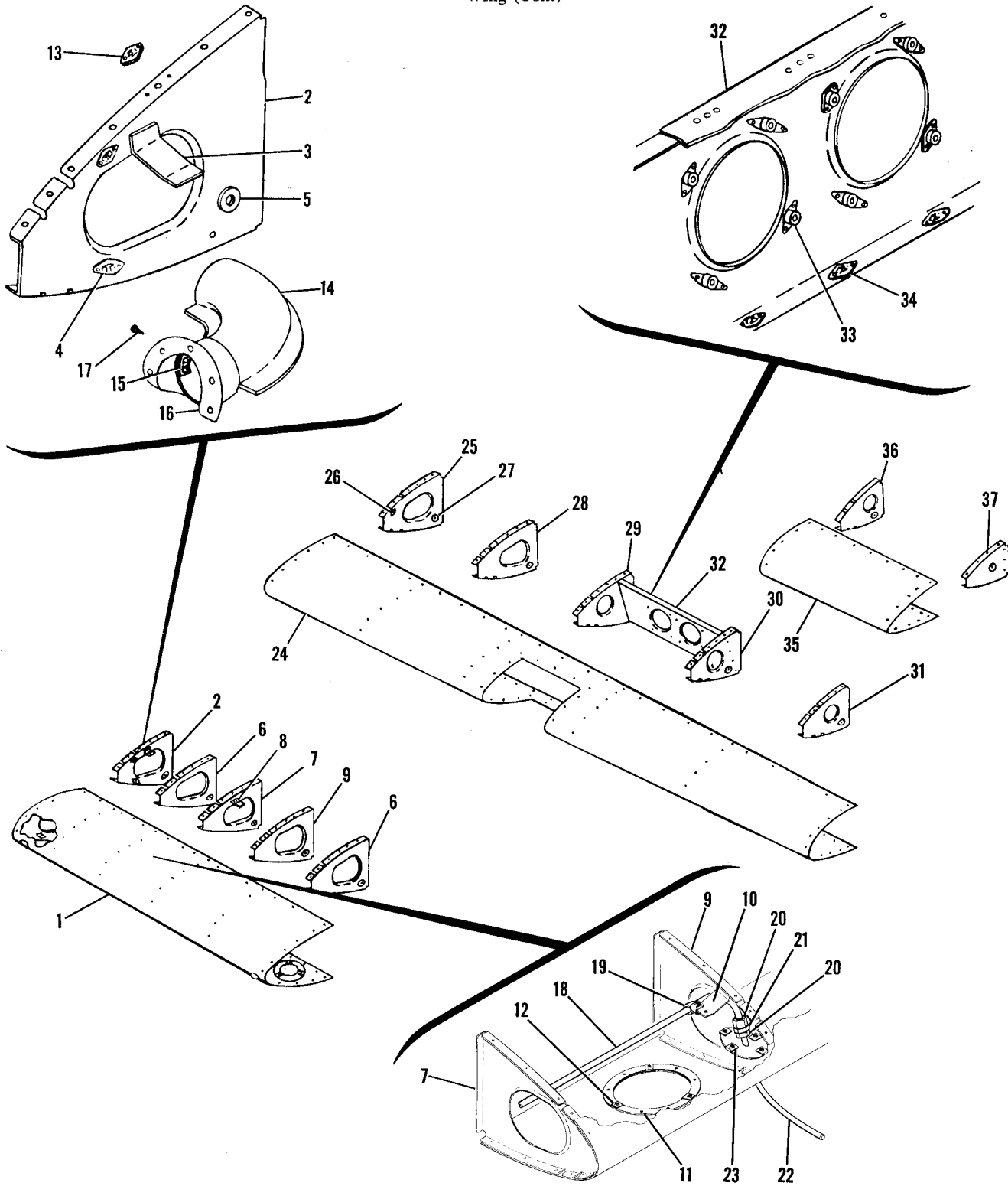
		-----*									

CONTINUED ON NEXT PAGE



FIGURE AND INDEX NO.	PART NUMBER	DESCRIPTION	UNITS PER ASSY	USABLE ON CODE
		1 2 3 4 5 6 7		
7 -79	0423008-3-791	TIP-WING STANDARD -----	2	B
-80	0523565-201-791	TIP-WING LH CONICAL CAMBER -----	1	C
	0523565-200-791	TIP-WING RH CONICAL CAMBER -----	1	C
	0523565-29-791	TIP ASSEMBLY-WING LH CONICAL CAMBER -----	1	D
	0523565-30-791	TIP ASSEMBLY-WING RH CONICAL CAMBER -----	1	D
		ATTACHING PARTS		
-81	S102128-8	SCREW -----	12	
	0423008-4	STIFFENER USE ON UPPER SIDE LH TIP & LOWER SIDE RH TIP ----- USED WITH STANDARD WING TIP	1	B
	0423008-5	STIFFENER USE ON UPPER SIDE RH TIP & LOWER SIDE LH TIP ----- USED WITH STANDARD WING TIP	1	B
	0523565-21	STIFFENER USE ON UPPER SIDE LH TIP & LOWER SIDE RH TIP ----- USED WITH CONICAL CAMBER WING TIP	1	
	0523565-22	STIFFENER USE ON UPPER SIDE RH TIP & LOWER SIDE LH TIP ----- USED WITH CONICAL CAMBER WING TIP	1	
	NAS1329A06K120	-----*----- NUT -----	5	D
		A---A150 SERIAL A1500001 THRU A1500277 FA150 SERIAL FA1500001 THRU FA1500132		
		B---A150 SERIAL A1500001 & ON		
		C---A150 SERIAL A1500001 THRU A1500226 FA150 SERIAL FA1500001 THRU FA1500081		
		D---A150 SERIAL A1500227 & ON FA150 SERIAL FA1500082 & ON		
		E---A150 SERIAL A1500001 THRU A1500262 FA150 SERIAL FA1500001 THRU FA1500161		
		F---A150 SERIAL A1500263 & ON FA150 SERIAL FA1500162 & ON		
		G---A150 SERIAL A1500001 THRU A1500271 FA150 SERIAL FA1500001 THRU FA1500161		
		H---A150 SERIAL A1500272 & ON FA150 SERIAL FA1500162 & ON		
		J---A150 SERIAL A1500278 & ON FA150 SERIAL FA1500133 & ON		
		K---A150 SERIAL A1500227 THRU A1500387 FA150 SERIAL FA1500082 THRU FA1500211		
		L---A150 SERIAL A1500278 THRU A1500387 FA150 SERIAL FA1500133 THRU FA1500211		
		M---A150 SERIAL A1500001 THRU A1500387 FA150 SERIAL FA1500001 THRU FA1500211		
		N---A150 SERIAL A1500388 & ON FA150 SERIAL FA1500212 & ON		

Wing (Cont)



150 SERIAL 15071129 & ON
F150 SERIAL F15000530 & ON

Figure 8. Wing Leading Edge Assembly

FIGURE AND INDEX NO.	PART NUMBER	DESCRIPTION	UNITS PER ASSY	USABLE ON CODE
		1 2 3 4 5 6 7		
8 -		LEADING EDGE ASSEMBLY-WING -----	NP	A
	0426005-211	LEADING EDGE ASSEMBLY-INBD LH STA. 22.125 TO 84 -----	1	B
	0426005-221	LEADING EDGE ASSEMBLY-INBD LH STA. 22.125 TO 84 -----	1	C
	0426005-61	LEADING EDGE ASSEMBLY-INBD RH STA. 22.125 TO 84 -----	1	
- 1	0426005-37	SKIN-LEADING EDGE STA. 22.125 TO 84 LH -----	1	B
	0426005-93	SKIN-LEADING EDGE STA. 22.125 TO 84 LH -----	1	C
	0523007-11	SKIN-LEADING EDGE STA. 22.125 TO 84 RH -----	1	
- 2	0523107-2	RIB ASSEMBLY-NOSE STA. 22.125 LH -----	1	
	0523107	RIB ASSEMBLY-NOSE STA. 22.125 RH -----	1	
- 3	0422291	BRACKET LH ONLY -----	1	
- 4	S1863-3A	NUTPLATE -----	2	
- 5	MS20230-A2	GROMMET -----	1	
- 6	0523108	RIB ASSEMBLY-NOSE STA. 33.125 & 69.625 -----	2	
	MS20230-A2	GROMMET -----	1	
- 7	0523108-3	RIB ASSEMBLY-NOSE STA. 44.125 LH -----	1	
	0523108	RIB ASSEMBLY-NOSE STA. 44.125 RH -----	1	
- 8	0422292	BRACKET LH ONLY -----	1	
	MS20230-A2	GROMMET -----	1	
- 9	0523108-4	RIB ASSEMBLY-NOSE STA. 56.875 LH -----	1	
	0523108	RIB ASSEMBLY-NOSE STA. 56.875 RH -----	1	
-10	0422291	BRACKET LH ONLY -----	1	
	MS20230-A2	GROMMET -----	1	
-11	S237-2	DOUBLER ASSEMBLY-INSPECTION OPENING -----	2	
-12	NAS395-4-3	NUTPLATE -----	3	
-13	S1863-3A	NUTPLATE LH ONLY -----	2	
-14	0413233	ELBOW-CABIN AIR VENT -----	2	
-15	NAS446-4-3	NUTPLATE -----	2	
-16	0413157	SCOOP-CABIN AIR VENT -----	2	
		ATTACHING PARTS -----		
-17	S102128-8	SCREW -----	1	
		-----*		
-18	S1071-1	TUBE-POLYETHELENE-PITOT 80.0 IN LG BULK ITEM -----	1	
		REF S1071-1-80.0 -----		
		ATTACHING PARTS -----		
-19	AN742D4	CLAMP -----	2	
	S102128-8	SCREW -----	2	
	NAS395-12-13	NUT -----	2	
		-----*		
-20	S1130-1	NUT -----	3	
	S1131-1	INSERT -----	2	
-21	S1132-1	UNION -----	1	
-22	0521103-2	PITOT TUBE ASSEMBLY LH ONLY WEU 0521103-4 -----	1	D
	0521103-4	PITOT TUBE ASSEMBLY LH ONLY -----	1	E
		ATTACHING PARTS -----		
	S102128-8	SCREW -----	4	
		-----*		
-23	NAS395-14-3	NUT -----	4	
	0523005-56	LEADING EDGE ASSEMBLY-CENTER LH STA. 84 TO 174 -----	1	B
	0523005-229	LEADING EDGE ASSEMBLY-CENTER LH STA. 84 TO 174 RH -----	1	C
	0523005-57	LEADING EDGE ASSEMBLY-CENTER RH STA. 84 TO 174 -----	1	
-24	0523003-10	SKIN-LEADING EDGE STA. 84 TO 174 LH -----	1	B
	0523003-63	SKIN-LEADING EDGE STA. 84 TO 174 LH -----	1	C
	0523003-11	SKIN-LEADING EDGE STA. 84 TO 174 RH -----	1	
-25	0523109	RIB ASSEMBLY-NOSE STA. 84 LH -----	1	
	0523109-1	RIB ASSEMBLY-NOSE STA. 84 RH -----	1	
-26	S1863-2	NUTPLATE -----	1	
-27	MS20230-A2	GROMMET -----	1	
-28	0523511-5	RIB ASSEMBLY-NOSE STA. 102 -----	1	
	MS20230-A2	GROMMET -----	1	
-29	0523512-5	RIB ASSEMBLY-NOSE STA. 120 -----	1	
	MS20230-A2	GROMMET -----	1	
-30	0523513-4	RIB ASSEMBLY-NOSE STA. 138 -----	1	
	MS20230-A2	GROMMET -----	1	
-31	0523514-4	RIB ASSEMBLY-NOSE STA. 156 -----	1	
	MS20230-A2	GROMMET -----	1	
-32	0523106	BRACKET ASSEMBLY-LANDING LIGHT LH ONLY -----	1	B
-33	NAS680A08	NUTPLATE -----	8	B
-34	S1863-3A	NUTPLATE TIN LH ONLY -----	18	B

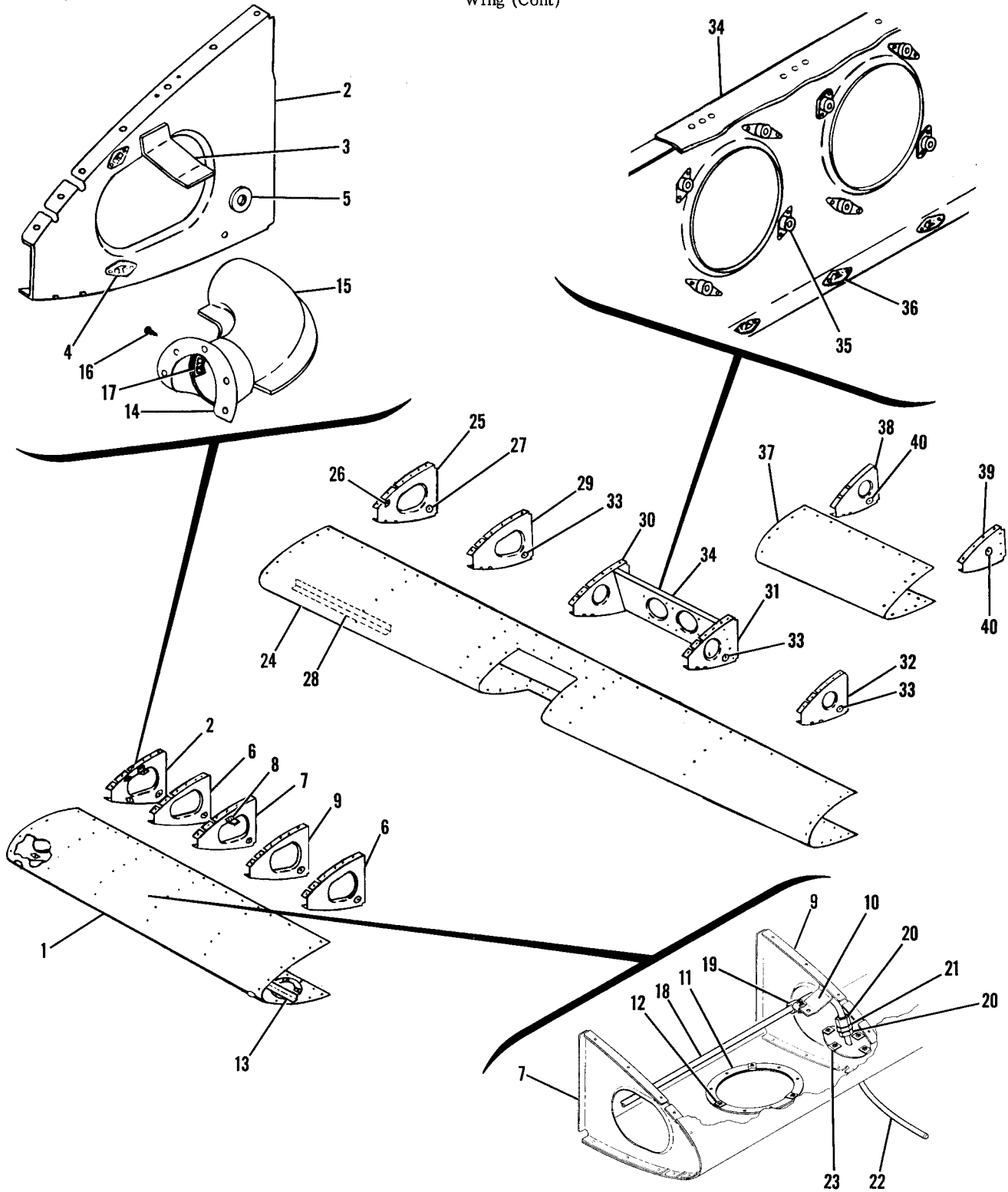
CONTINUED ON NEXT PAGE



FIGURE AND INDEX NO.	PART NUMBER	DESCRIPTION	UNITS PER ASSY	USABLE ON CODE
8 -	0426005-219	LEADING EDGE ASSEMBLY-OUTBOARD LH STA. 174 TO 192 -----	1	
	0426005-218	LEADING EDGE ASSEMBLY-OUTBOARD RH STA. 174 TO 192 -----	1	
-35	0523003-56	SKIN-LEADING EDGE STA. 174 TO 192 LH -----	1	
	0523003-57	SKIN-LEADING EDGE STA 174 TO 192 RH -----	1	
-36	0523515-4	RIB ASSEMBLY-NOSE STA. 174 -----	1	
	MS20230-A2	GROMMET -----	1	
-37	0720608-26	RIB ASSEMBLY-NOSE STA. 192 -----	1	
	MS20230-A2	GROMMET -----	1	
		A---150 SERIAL 15071129 & ON F150 SERIAL F15000530 & ON		
		B---150 SERIAL 15071129 THRU 15072003 F150 SERIAL F15000530 THRU F15000658		
		C---150 SERIAL 15072004 & ON F150 SERIAL F15000659 & ON		
		D---150 SERIAL 15071129 THRU 15072585 F150 SERIAL F15000530 THRU F15000738		
		E---150 SERIAL 15072586 & ON F150 SERIAL F15000739 & ON		

FIGURE AND INDEX NO.	PART NUMBER	DESCRIPTION	UNITS PER ASSY	USABLE ON CODE
		1 2 3 4 5 6 7		
9 -	0422401-205	LEADING EDGE ASSEMBLIES-WING AEROBAT -----	NP	A
	0422401-213	LEADING EDGE ASSEMBLY-INBD LH STA 22.12 TO 84.00 -----	1	B
	0422402-204	LEADING EDGE ASSEMBLY-INBD LH STA 22.12 TO 84.00 -----	1	C
	0422401-4	LEADING EDGE ASSEMBLY-INBD RH STA 22.12 TO 84.00 -----	1	
- 1	0422401-25	SKIN-LEADING EDGE LH STA 22.12 TO 84.00 -----	1	B
	0422402-3	SKIN-LEADING EDGE LH STA 22.12 TO 84.00 -----	1	C
	0523107-5	SKIN-LEADING EDGE RH STA 22.12 TO 84.00 -----	1	
- 2	0523107-6	RIB ASSEMBLY-NOSE LH STA 22.12 -----	1	
	0422291	RIB ASSEMBLY-NOSE RH STA 22.12 -----	1	
- 3	S1863-3A	BRACKET LH ONLY -----	1	
- 4	MS20230A2	NUTPLATE LH ONLY -----	2	
- 5	0523111-5	GROMMET -----	1	
- 6	MS20230A2	RIB ASSEMBLY-NOSE STA 33.12 & 69.62 -----	2	
	0523111-6	GROMMET -----	1	
- 7	0422292	RIB ASSEMBLY-NOSE STA 44.12 -----	1	
- 8	MS20230A2	BRACKET -----	1	
	0523111-7	GROMMET -----	1	
- 9	0422291	RIB ASSEMBLY-NOSE STA 56.87 -----	1	
-10	MS20230A2	BRACKET -----	1	
	S237-2	GROMMET -----	1	
-11	NAS395-4-3	DOUBLER ASSEMBLY -----	2	
-12	0422409-1	NUTPLATE -----	3	
-13	0422409-2	STIFFENER-LH -----	1	
	0413157	STIFFENER-RH -----	1	
-14		SCOOP-CABIN AIR VENT -----	1	
CONTINUED ON NEXT PAGE				

Wing (Cont)



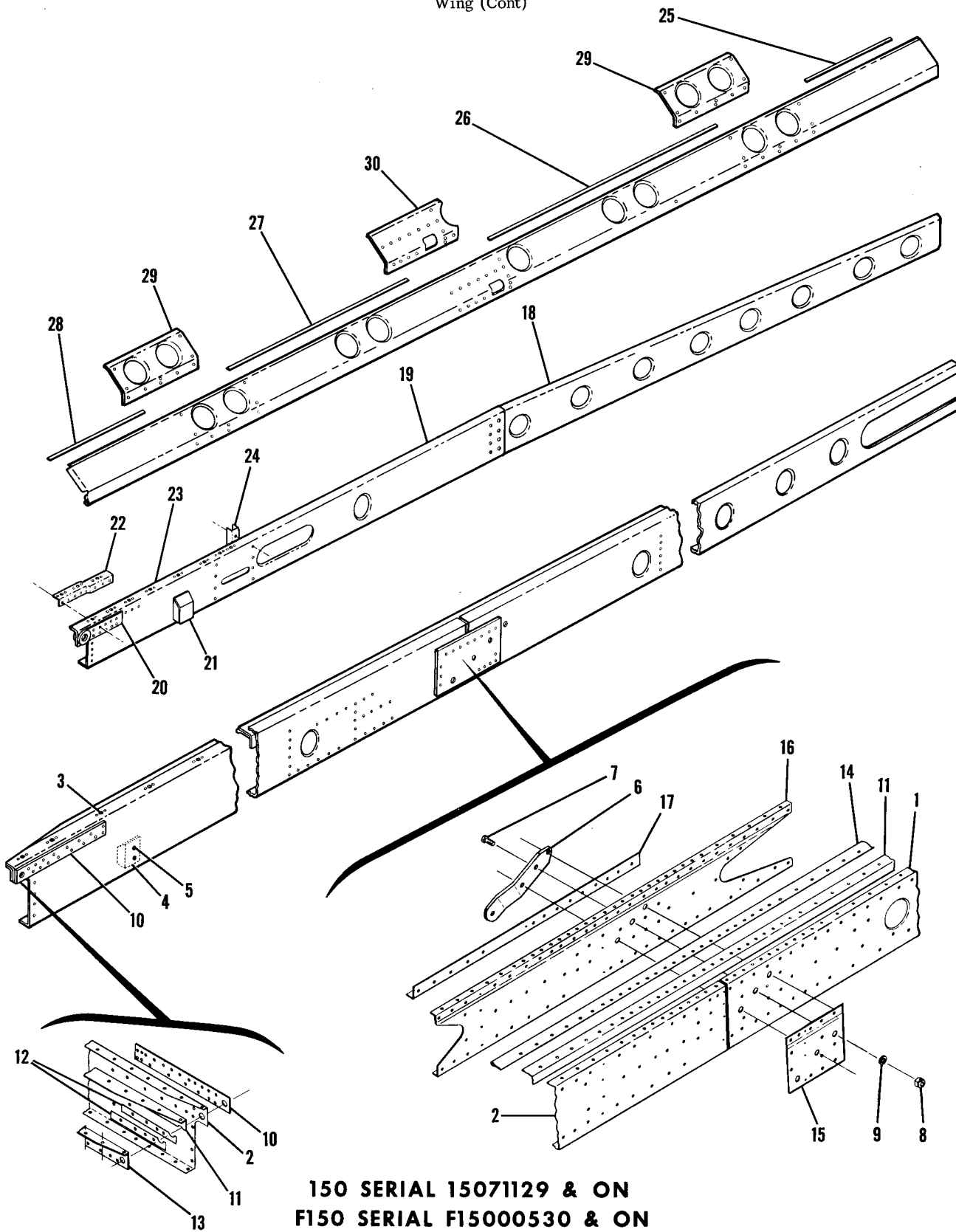
A150 SERIAL A1500001 & ON
FA150 SERIAL FA1500001 & ON

Figure 9. Wing Leading Edge Assembly



FIGURE AND INDEX NO.	PART NUMBER	DESCRIPTION	UNITS PER ASSY	USABLE ON CODE
9 -15	0413233	ELBOW-CABIN AIR VENT ATTACHING PARTS	2	
-16	S102128-8	SCREW	1	
-17	NAS446-43	NUT	1	
		-----*-----		
-18	S1071-1	TUBE-POLYETHELENE-PITOT 80.0 IN LG BULK ITEM REF S1071-1-80.0 LH ONLY	1	
		ATTACHING PARTS		
-19	AN74204	CLAMP	2	
	S102128-8	SCREW	2	
	NAS395-12-13	NUT	2	
		-----*-----		
-20	S1130-1	NUT	3	
	S1131-1	INSERT	2	
-21	S1132-1	UNION	1	
-22	0521103-2	PITOT TUBE ASSEMBLY LH ONLY WEU 0521103-4	1	D
	0521103-4	PITOT TUBE ASSEMBLY LH ONLY	1	E
		ATTACHING PARTS		
	S102128-8	SCREW	4	
		-----*-----		
-23	NAS395-14-3	NUT	4	
	0422401-207	LEADING EDGE ASSEMBLY-CENTER LH STA 84.00 TO 174.00	1	B
	0422401-211	LEADING EDGE ASSEMBLY-CENTER LH STA 84.00 TO 174.00	1	C
	0422402-206	LEADING EDGE ASSEMBLY-CENTER RH STA 84.00 TO 174.00	1	
-24	0422401-5	SKIN-LEADING EDGE LH STA 84.00 TO 174.00	1	B
	0422401-24	SKIN-LEADING EDGE LH STA 84.00 TO 174.00	1	C
	0422402-5	SKIN-LEADING EDGE RH STA 84.00 TO 174.00	1	
-25	0523110-11	RIB ASSEMBLY-NOSE LH STA 84.00	1	
	0523110-10	RIB ASSEMBLY-NOSE RH STA 84.00	1	
-26	S1863-2	NUTPLATE LH ONLY	1	
-27	MS20230A2	GROMMET	1	
-28	0422409-3	STIFFENER-LH	1	
	0422409-4	STIFFENER-RH	1	
-29	0523542-4	RIB ASSEMBLY-NOSE STA 102.00	1	
-30	0523512-21	RIB ASSEMBLY-NOSE STA 120.00	1	
-31	0523513-12	RIB ASSEMBLY-NOSE STA 138.00	1	
-32	0523514-6	RIB ASSEMBLY-NOSE STA 156.00	1	
-33	MS20230A2	GROMMET	1	
-34	0523106	BRACKET ASSEMBLY-LANDING LIGHT LH ONLY	1	B
-35	NAS680A08	NUTPLATE	8	B
-36	S1863-3A	NUTPLATE LH ONLY	18	B
	0422401-209	LEADING EDGE ASSEMBLY-OUTBOARD LH STA 174.00 TO 192.00	1	
	0422402-208	LEADING EDGE ASSEMBLY-OUTBOARD RH STA 174.00 TO 192.00	1	
-37	0422401-6	SKIN-LEADING EDGE LH STA 174.00 TO 192.00	1	
	0422402-6	SKIN-LEADING EDGE RH STA 174.00 TO 192.00	1	
-38	0523515-6	RIB ASSEMBLY-NOSE STA 174.00	1	
-39	0720608-26	RIB ASSEMBLY-NOSE STA 192.00	1	
-40	MS20230A2	GROMMET	1	
		A---A150 SERIAL A1500001 & ON FA150 SERIAL FA1500001 & ON		
		B---A150 SERIAL A1500001 THRU A1500226 FA150 SERIAL FA1500001 THRU FA1500081		
		C---A150 SERIAL A1500227 & ON FA150 SERIAL FA1500082 & ON		
		D---A150 SERIAL A1500001 THRU A1500269 FA150 SERIAL FA1500001 THRU FA1500121		
		E---A150 SERIAL A1500270 & ON FA150 SERIAL FA1500122 & ON		

Wing (Cont)



150 SERIAL 15071129 & ON
F150 SERIAL F15000530 & ON

Figure 10. Wing Spar Assemblies

FIGURE AND INDEX NO.	PART NUMBER	DESCRIPTION	UNITS PER ASSY	USABLE ON CODE
		1 2 3 4 5 6 7		
10 -		SPARS ASSEMBLIES-WING -----	NP	A
	0426300	SPAR ASSEMBLY-WING FRONT LH STANDARD RANGE -----	1	
	0426300-7	SPAR ASSEMBLY-WING FRONT LH EXTENDED RANGE -----	1	
	0426300-1	SPAR ASSEMBLY-WING FRONT RH STANDARD RANGE -----	1	
	0426300-6	SPAR ASSEMBLY-WING FRONT RH EXTENDED RANGE -----	1	
- 1	0523317	CHANNEL ASSEMBLY-SPAR OUTBOARD LH -----	1	
	0523317-1	CHANNEL ASSEMBLY-SPAR OUTBOARD RH -----	1	
- 2	0426300-2	CHANNEL ASSEMBLY-SPAR INBOARD LH -----	1	
	0426300-3	CHANNEL ASSEMBLY-SPAR INBOARD RH -----	1	
- 3	NAS680A08	NUTPLATE -----	10	
	NAS680A08	NUTPLATE EXTENDED RANGE -----	15	
- 4	0523524	SPACER-FUEL TANK -----	1	
	0523524	SPACER-FUEL TANK EXTENDED RANGE -----	2	
		ATTACHING PARTS -----		
- 5	S1021A10-10	SCREW -----	2	
		-----*		
- 6	0523306	FITTING-STRUT ATTACHMENT -----	1	
		ATTACHING PARTS -----		
- 7	AN5-7A	BOLT -----	3	
- 8	MS21042L5	NUT -----	3	
- 9	AN960-516	WASHER -----	3	
		-----*		
-10	0523308	PLATE -----	1	F
	0722707-1	PLATE-REINFORCEMENT -----	1	G
-11	0426307	ANGLE-CAP LH -----	1	
	0426307-1	ANGLE-CAP RH -----	1	
-12	0523311	SPACER -----	2	
-13	0523309	ANGLE-LH -----	1	
	0523309-1	ANGLE-RH -----	1	
-14	0426306	CAP PLATE-LH -----	1	
	0426306-1	CAP PLATE-RH -----	1	
-15	0523319-1	SPLICE-PLATE -----	1	
-16	0523318	CHANNEL-SPLICE LH -----	1	
	0523318-1	CHANNEL-SPLICE RH -----	1	
-17	0523316	ANGLE-LH -----	1	
	0523316-1	ANGLE-RH -----	1	
	0426400-8	* SPAR ASSEMBLY-WING REAR LH STANDARD RANGE -----	1	D
	0426400-35	* SPAR ASSEMBLY-WING REAR LH STANDARD RANGE -----	1	E
	0426400-15	* SPAR ASSEMBLY-WING REAR LH EXTENDED RANGE -----	1	D
	0426400-37	* SPAR ASSEMBLY-WING REAR LH EXTENDED RANGE -----	1	E
	0426400-9	SPAR ASSEMBLY-WING REAR RH STANDARD RANGE -----	1	B
	0426400-28	SPAR ASSEMBLY-WING REAR RH STANDARD RANGE -----	1	C
	0426400-36	SPAR ASSEMBLY-WING REAR RH STANDARD RANGE -----	1	E
	0426400-16	SPAR ASSEMBLY-WING REAR RH EXTENDED RANGE -----	1	B
	0426400-27	SPAR ASSEMBLY-WING REAR RH EXTENDED RANGE -----	1	C
	0426400-38	SPAR ASSEMBLY-WING REAR EXTENDED RANGE -----	1	E
-18	0523406-3	CHANNEL-SPAR OUTBD LH -----	1	
	0523406-2	CHANNEL-SPAR OUTBD RH -----	1	
-19	0426400-18	* CHANNEL ASSEMBLY-SPAR INBOARD LH -----	1	D
	0426400-31	* CHANNEL-SPAR INBOARD LH -----	1	E
	0426400-17	CHANNEL ASSEMBLY-SPAR INBOARD RH -----	1	B
	0426400-25	CHANNEL-SPAR INBOARD RH -----	1	C
	0426400-32	CHANNEL-SPAR INBOARD RH -----	1	E
-20	0422229-11	FITTING-WING SPAR REINFORCEMENT -----	2	
-21	0523524	SPACER-FUEL TANK -----	1	
	0426400-14	SPACER-PHENOLIC EXTENDED RANGE -----	1	
		ATTACHING PARTS -----		
	S1021A10-10	SCREW -----	2	
		-----*		
-22	0426400-12	ANGLE-SPAR REINFORCEMENT LH -----	1	
	0426400-13	ANGLE-SPAR REINFORCEMENT RH -----	1	
-23	NAS680A08	NUTPLATE -----	8	
-24	0523409	CHANNEL-REINFORCEMENT -----	1	

CONTINUED ON NEXT PAGE

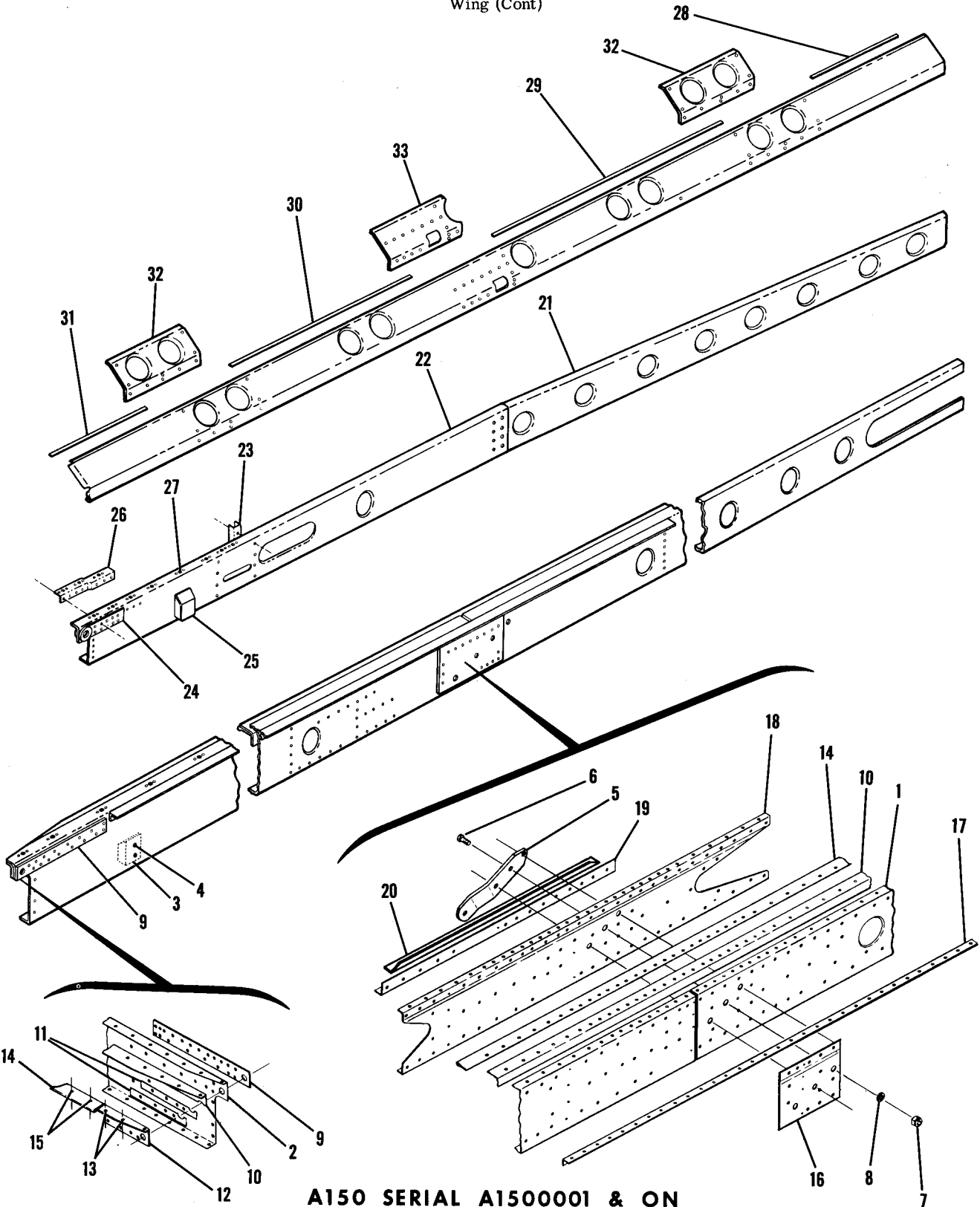


FIGURE AND INDEX NO.	PART NUMBER	DESCRIPTION	UNITS PER ASSY	USABLE ON CODE
		1 2 3 4 5 6 7		
10 -	0523005-50	SPAR ASSEMBLY-OUTBOARD AUXILIARY LH -----	1	
	0523005-51	SPAR ASSEMBLY-OUTBOARD AUXILIARY RH -----	1	
-25	0523813-3	FILLER-TRAILING EDGE -----	1	
-26	0523813-2	FILLER-TRAILING EDGE -----	1	
-27	0523813-4	FILLER-TRAILING EDGE -----	1	
-28	0523813-5	FILLER-TRAILING EDGE -----	1	
-29	0523216	REINFORCEMENT -----	2	
-30	0523215	REINFORCEMENT LH -----	1	
	0523215-1	REINFORCEMENT RH -----	1	
<p>NOTE. *THESE PARTS ARE NOT USED ON AIRCRAFT THAT HAVE BEEN EQUIPPED WITH 0426005-225 OR 0426005-223 WING STRUCTURES, FOR REPLACEMENT PARTS ORDER FROM ITEMS CODED E.</p> <p>A---150 SERIAL 15071129 & ON F150 SERIAL F15000530 & ON B---150 SERIAL 15071129 THRU 15072629 B---150 SERIAL 15071129 THRU 15072629 C---150 SERIAL 15072630 THRU 15074399 F150 SERIAL F15000739 THRU F15000943 D---150 SERIAL 15071129 THRU 15074399 F150 SERIAL F15000530 THRU F15000943 E---150 SERIAL 15074400 & ON F150 SERIAL F15000944 & ON F---150 SERIAL 15071129 THRU 15076786 F150 SERIAL F15000530 THRU F15001278 G---150 SERIAL 15076787 & ON F150 SERIAL F15001279 & ON</p>				

This page intentionally left blank.



Wing (Cont)



**A150 SERIAL A1500001 & ON
FA150 SERIAL FA1500001 & ON**

Figure 11. Wing Spar Assemblies



FIGURE AND INDEX NO.	PART NUMBER	DESCRIPTION							UNITS PER ASSY	USABLE ON CODE
		1	2	3	4	5	6	7		
11 -		SPAR ASSEMBLIES-WING AEROBAT -----							NP	A
	0422405-1	SPAR ASSEMBLY-WING FRONT LH STANDARD RANGE -----							1	
	0422405-3	SPAR ASSEMBLY-WING FRONT LH EXTENDED RANGE -----							1	
	0422405-2	SPAR ASSEMBLY-WING FRONT RH STANDARD RANGE -----							1	
	0422405-4	SPAR ASSEMBLY-WING FRONT RH EXTENDED RANGE -----							1	
- 1	0422405-9	CHANNEL ASSEMBLY-SPAR OUTBOARD LH -----							1	
	0422405-10	CHANNEL ASSEMBLY-SPAR OUTBOARD RH -----							1	
- 2	0422405-5	CHANNEL ASSEMBLY-SPAR INBOARD LH -----							1	
	0422405-7	CHANNEL ASSEMBLY-SPAR INBOARD LH EXTENDED RANGE -----							1	
	0422405-6	CHANNEL ASSEMBLY-SPAR INBOARD RH -----							1	
	0422405-8	CHANNEL ASSEMBLY-SPAR INBOARD RH EXTENDED RANGE -----							1	
- 3	0523524	SPACER-FUEL TANK -----							1	
	0523524	SPACER-FUEL TANK EXTENDED RANGE -----							2	
		ATTACHING PARTS -----								
- 4	S1021A10-10	SCREW -----							2	
		-----*								
- 5	0523306	FITTING-STRUT ATTACHMENT -----							1	
		ATTACHING PARTS -----								
- 6	AN5-7A	BOLT -----							3	
- 7	MS21042L5	NUT -----							3	
- 8	AN960-516	WASHER -----							3	
		-----*								
- 9	0523308-1	PLATE -----							1	
	0722707-1	PLATE-REINFORCEMENT -----							1	F G
-10	0422415-1	STIFFENER LH -----							1	
	0422415-3	STIFFENER LH EXTENDED RANGE -----							1	
	0422415-2	STIFFENER RH -----							1	
	0422415	STIFFENER RH EXTENDED RANGE -----							1	
-11	0523311-1	SPACER -----							1	
-12	0523309-5	ANGLE ASSEMBLY-LH -----							1	
	0523309-4	ANGLE ASSEMBLY-RH -----							1	
-13	NAS680A08	NUTPLATES -----							2	
-14	0422407-5	PLATE ASSEMBLY-FORWARD SPAR LH -----							1	
	0422407-7	PLATE ASSEMBLY-FORWARD SPAR LH EXTENDED RANGE -----							1	
	0422407-6	PLATE ASSEMBLY-FORWARD SPAR RH -----							1	
	0422407-8	PLATE ASSEMBLY-FORWARD SPAR RH EXTENDED RANGE -----							1	
-15	NAS680A08	NUTPLATE -----							8	
	NAS680A08	NUTPLATE EXTENDED RANGE -----							13	
-16	0422412-1	PLATE-FORWARD SPAR SPLICE LH -----							1	
	0422412-2	PLATE-FORWARD SPAR SPLICE RH -----							1	
-17	0422406-3	STIFFENER-LH -----							1	
	0422406-4	STIFFENER-RH -----							1	
-18	0422414-1	CHANNEL-SPLICE LH -----							1	
	0422414-2	CHANNEL-SPLICE RH -----							1	
-19	0422411-1	SPLICE-LH -----							1	
	0422411-2	SPLICE-RH -----							1	
-20	0422406-1	STIFFENER-LH -----							1	
	0422406-2	STIFFENER-RH -----							1	
	0426400-21	*	SPAR ASSEMBLY-WING REAR LH					STANDARD RANGE -----	1	D
	0426400-39	*	SPAR ASSEMBLY-WING REAR LH					STANDARD RANGE -----	1	E
	0426400-23	*	SPAR ASSEMBLY-WING REAR LH					EXTENDED RANGE -----	1	D
	0426400-41	*	SPAR ASSEMBLY-WING REAR LH					EXTENDED RANGE -----	1	E
	0426400-22	*	SPAR ASSEMBLY-WING REAR RH					STANDARD RANGE -----	1	B
	0426400-30	*	SPAR ASSEMBLY-WING REAR RH					STANDARD RANGE -----	1	C
	0426400-40	*	SPAR ASSEMBLY-WING REAR RH					STANDARD RANGE -----	1	E
	0426400-24	*	SPAR ASSEMBLY-WING REAR RH					EXTENDED RANGE -----	1	B
	0426400-29	*	SPAR ASSEMBLY-WING REAR RH					EXTENDED RANGE -----	1	C
	0426400-42	*	SPAR ASSEMBLY-WING REAR RH					EXTENDED RANGE -----	1	E
-21	0523406-5		CHANNEL-SPAR OUTBOARD LH					-----	1	
	0523406-4		CHANNEL-SPAR OUTBOARD RH					-----	1	
-22	0426400-19	*	CHANNEL-SPAR INBOARD LH					-----	1	D
	0426400-33	*	CHANNEL-SPAR INBOARD LH					-----	1	E
	0426400-20	*	CHANNEL-SPAR INBOARD RH					-----	1	B
	0426400-26	*	CHANNEL-SPAR INBOARD RH					-----	1	C
	0426400-34	*	CHANNEL-SPAR INBOARD RH					-----	1	E
-23	0523409		CHANNEL					-----	1	
-24	0422229-11		FITTING-WING SPAR REINFORCEMENT LH					-----	2	
-25	0523524		SPACER-FUEL TANK					-----	1	
	0422400-14		SPACER-PHENOLIC EXTENDED RANGE					-----	1	
			ATTACHING PARTS					-----		
	S1021A10-10		SCREWS					-----	2	
			-----*							
-26	0426400-12		ANGLE-SPAR REINFORCEMENT LH					-----	1	
	0426400-13		ANGLE-SPAR REINFORCEMENT RH					-----	1	
-27	NAS680A08		NUTPLATE					-----	8	

CONTINUED ON NEXT PAGE

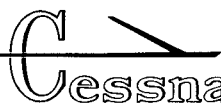


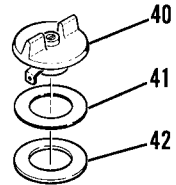
FIGURE AND INDEX NO.	PART NUMBER	DESCRIPTION							UNITS PER ASSY	USABLE ON CODE
		1	2	3	4	5	6	7		
11 -	0523005-50	SPAR ASSEMBLY-OUTBOARD	AUXILIARY LH	-----	-----	-----	-----	-----	1	
	0523005-51	SPAR ASSEMBLY-OUTBOARD	AUXILIARY RH	-----	-----	-----	-----	-----	1	
-28	0523813-3	FILLER-TRAILING EDGE	-----	-----	-----	-----	-----	-----	1	
-29	0523813-2	FILLER-TRAILING EDGE	-----	-----	-----	-----	-----	-----	1	
-30	0523813-4	FILLER-TRAILING EDGE	-----	-----	-----	-----	-----	-----	1	
-31	0523813-5	FILLER-TRAILING EDGE	-----	-----	-----	-----	-----	-----	1	
-32	0523216	REINFORCEMENT	-----	-----	-----	-----	-----	-----	2	
-33	0523215	REINFORCEMENT LH	-----	-----	-----	-----	-----	-----	1	
	0523215-1	REINFORCEMENT RH	-----	-----	-----	-----	-----	-----	1	
<p>NOTE. *THESE PARTS ARE NOT USED ON AIRCRAFT THAT HAVE BEEN EQUIPPED WITH 0422401-215 OR 0422401-217 WING STRUCTURES, FOR REPLACEMENT PARTS ORDER FROM ITEMS CODED E.</p> <p>A---A150 SERIAL A1500001 & ON FA150 SERIAL FA1500001 & ON</p> <p>B---A150 SERIAL A1500001 THRU A1500277 FA150 SERIAL FA1500001 THRU FA1500161</p> <p>C---A150 SERIAL A1500278 THRU A1500387 FA150 SERIAL FA1500162 THRU FA1500211</p> <p>D---A150 SERIAL A1500001 THRU A1500387 FA150 SERIAL FA1500001 THRU FA1500211</p> <p>E---A150 SERIAL A1500388 & ON FA150 SERIAL FA1500212 & ON</p> <p>F---A150 SERIAL A1500001 THRU A1500601 FA150 SERIAL FA1500001 THRU FA1500286</p> <p>G---A150 SERIAL A1500602 & ON FA150 SERIAL FA1500287 & ON</p>										



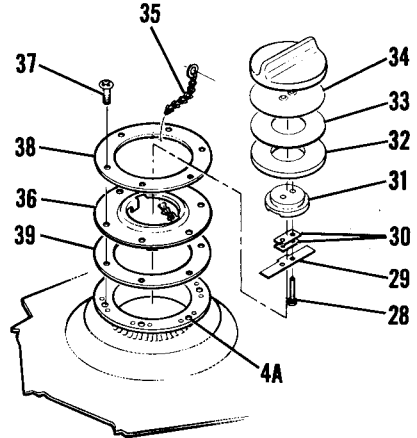
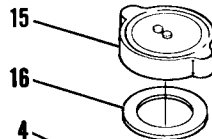
FIGURE AND INDEX NO.	PART NUMBER	DESCRIPTION							UNITS PER ASSY	USABLE ON CODE
		1	2	3	4	5	6	7		
12 -		TANK INSTALLATION-FUEL LH STANDARD RANGE -----							NP	
		TANK INSTALLATION-FUEL RH STANDARD RANGE -----							NP	
- 1	0426508-203	TANK ASSEMBLY-FUEL LH -----							1	C
	0426508-204	TANK ASSEMBLY-FUEL RH -----							1	C
	0426508-21	TANK ASSEMBLY-FUEL LH -----							1	D
	0426508-22	TANK ASSEMBLY-FUEL RH -----							1	D
		ATTACHING PARTS								
- 2	AN520-10R36	SCREW -----							2	
- 3	MS21044N3	NUT -----							2	
		----*----								
- 4	0311240-17	FILLER NECK-FUEL TANK -----							1	C
- 4A	NAS680A3	NUTPLATE -----							6	D
- 5	0426512	STRAP ASSEMBLY-FUEL TANK -----							2	E
	0523522-11	STRAP ASSEMBLY-FUEL TANK -----							2	F
- 5A	0426512-5	PAD-NEOPRENE -----							1	E
	0523522-13	PAD-NEOPRENE -----							1	F
- 6	0426512	STRAP ASSEMBLY-FUEL TANK -----							2	E
	0523522-1	STRAP ASSEMBLY-FUEL TANK -----							2	F
- 6A	0426512-5	PAD-NEOPRENE -----							1	E
	0525522-7	PAD-NEOPRENE -----							1	F
- 7	0523520-9	PLUG-DRAIN OUTLET -----							1	G
	SEE FIG 14	VALVE-FUEL DRAIN USED WITH SAMPLER CUP -----							1	
- 8	MS28778-4	GASKET-DRAIN PLUG -----							1	
- 9	0523532	GASKET-FUEL TANK ADAPTER -----							2	C

CONTINUED ON NEXT PAGE

Wing (Cont)



VENTED CAP



15072629 & ON
F15000739 & ON
A1500277 & ON
FA1500167 & ON

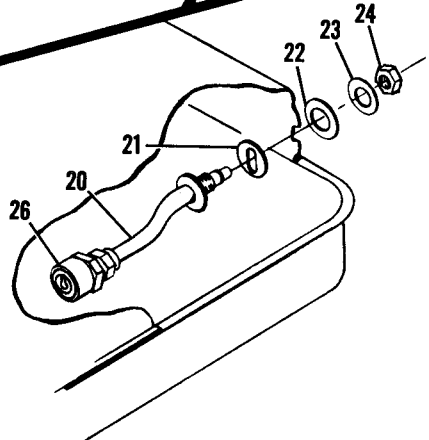
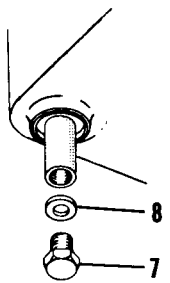
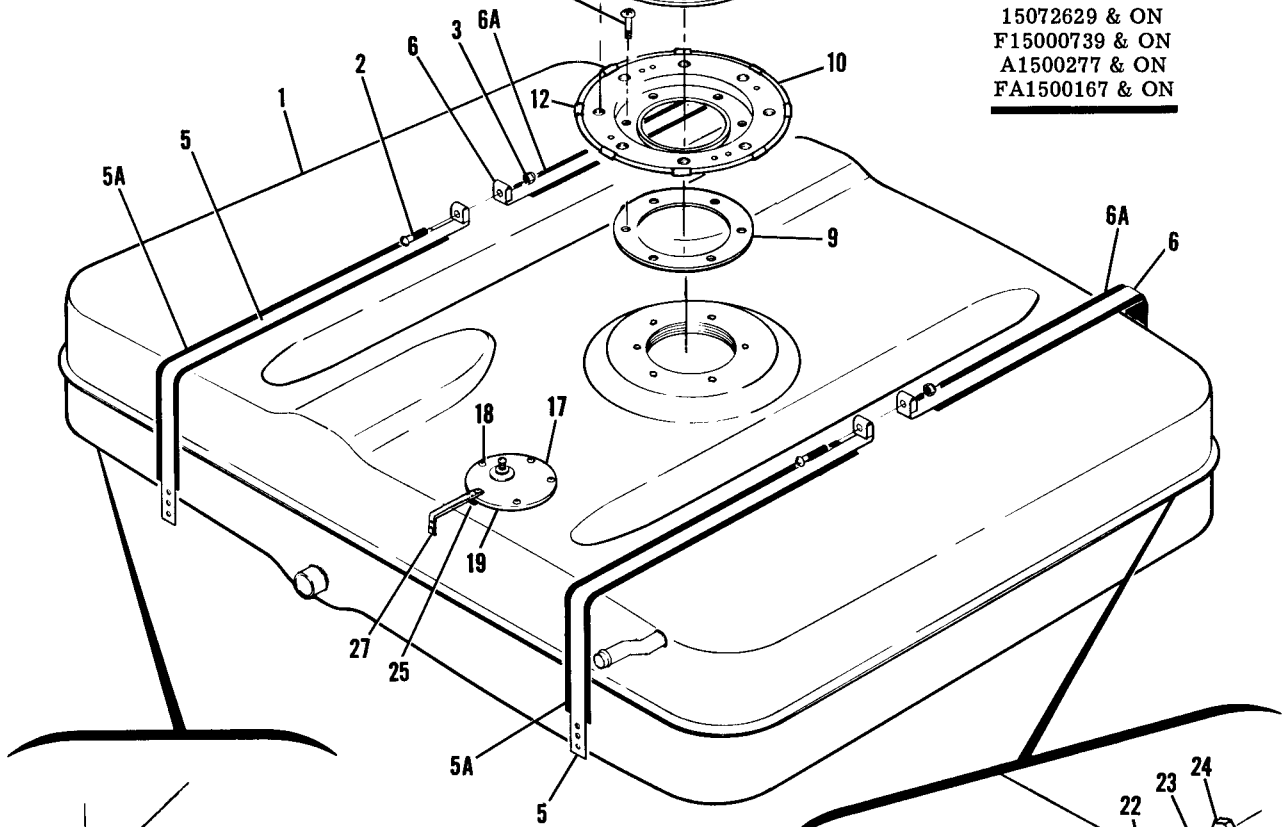


Figure 12. Fuel Tank Installation

FIGURE AND INDEX NO.	PART NUMBER	DESCRIPTION	UNITS PER ASSY	USABLE ON CODE
12 -10	0523529-1	ADAPTER ASSEMBLY-FUEL TANK ----- ATTACHING PARTS -----	1	C
-11	AN520-10R10	SCREW ----- -----*-----	6	C
-12	NAS488-7-3	NUT -----	8	C
-13	0523531	SEAL-ADAPTER -----	1	C
-14	S1021Z8-10	SCREW -----	8	C
-15	0311360-4	CAP ASSEMBLY-FUEL TANK WEU C156003-0101 -----	1	C
-16	0311360-5	GASKET-CAP -----	1	C
-17	0426517-1	TRANSMITTER-FUEL GAGE ----- ATTACHING PARTS -----	1	
-18	AN520-10R8 S350 AN960D10L	SCREW ----- WASHER ----- WASHER ----- -----*-----	5 5 5	
-19	S1588-1	GASKET-TRANSMITTER -----	1	
-20	0523552-2	WELD ASSEMBLY-FUEL CELL VENT LH TANK ONLY ----- ATTACHING PARTS -----	1	
-21	0523554-1	GASKET LH TANK ONLY -----	1	
-22	0523554-2	GASKET LH TANK ONLY -----	1	
-23	0523556-1	WASHER LH TANK ONLY -----	1	
-24	AN924-6D	NUT LH TANK ONLY ----- -----*-----	1	
-25	0413247	GROUND STRAP -----	1	
-26	0716124-6 0716124-9	VALVE ASSEMBLY-FUEL VENT LH TANK ONLY WEU 0716124-9 ----- VALVE ASSEMBLY-FUEL VENT LH TANK ONLY -----	1 1	A B
-27	0516006-1 0426015-1	STRAP-FUEL TRANSMITTER GROUND ----- CAP ASSEMBLY-FUEL TANK LH -----	1 1	D D
-28	AN530-10R12	SCREW -----	2	D
-29	0426015-9	LEAF SPRING -----	1	D
-30	0426015-8	SHIM -----	1	D
-31	0426015-6	SPACER -----	1	D
-32	0426015-5	GASKET -----	1	D
-33	0426015-4	WASHER -----	1	D
-34	0426015-10	PLATE -----	1	D
-35	C156001-0104	CHAIN -----	1	D
-36	0426011-4	FUEL FILLER NECK-CAP ADAPTOR -----	1	D
-37	AN520-10R8	SCREW -----	6	D
-38	0426013-2	GASKET-FUEL FILLER NECK -----	1	D
-39	0426013-1	GASKET-FUEL FILLER NECK -----	1	D
-40	C156003-0101 C156003-0101	CAP ASSY-VENTED FUEL USED ON LH & RH TANKS ----- CAP ASSY-VENTED FUEL USED ON RH TANK ONLY -----	1 1	C D
-41	4970	SLIDE WASHER WISO -----	1	
-42	4969	GASKET WISO -----	1	
<p>A---150 SERIAL 15071129 THRU 15071913 F150 SERIAL F15000530 THRU F15000658 A150 SERIAL A1500001 THRU A1500201 FA150 SERIAL FA1500001 THRU FA1500081</p> <p>B---150 SERIAL 15071914 & ON F150 SERIAL F15000659 & ON A150 SERIAL A1500202 & ON FA150 SERIAL FA1500082 & ON</p> <p>C---150 SERIAL 15071129 THRU 15072628 F150 SERIAL F15000530 THRU F15000738 A150 SERIAL A1500001 THRU A1500276 FA150 SERIAL FA1500001 THRU FA1500166</p> <p>D---150 SERIAL 15072629 & ON F150 SERIAL F15000739 & ON A150 SERIAL A1500277 & ON FA150 SERIAL FA1500167 & ON</p> <p>E---150 SERIAL 15071129 THRU 15073244 F150 SERIAL F15000530 THRU F15000833 A150 SERIAL A1500001 THRU A1500322 FA150 SERIAL FA1500001 THRU FA1500166</p> <p>F---150 SERIAL 15073245 & ON F150 SERIAL F15000834 & ON A150 SERIAL A1500323 & ON FA150 SERIAL FA1500167 & ON</p> <p>G---150 SERIAL 15071129 THRU 15075781 F150 SERIAL F15000530 THRU F15001143 A150 SERIAL A1500001 THRU A1500523 FA150 SERIAL FA1500001 THRU FA1500261</p>				

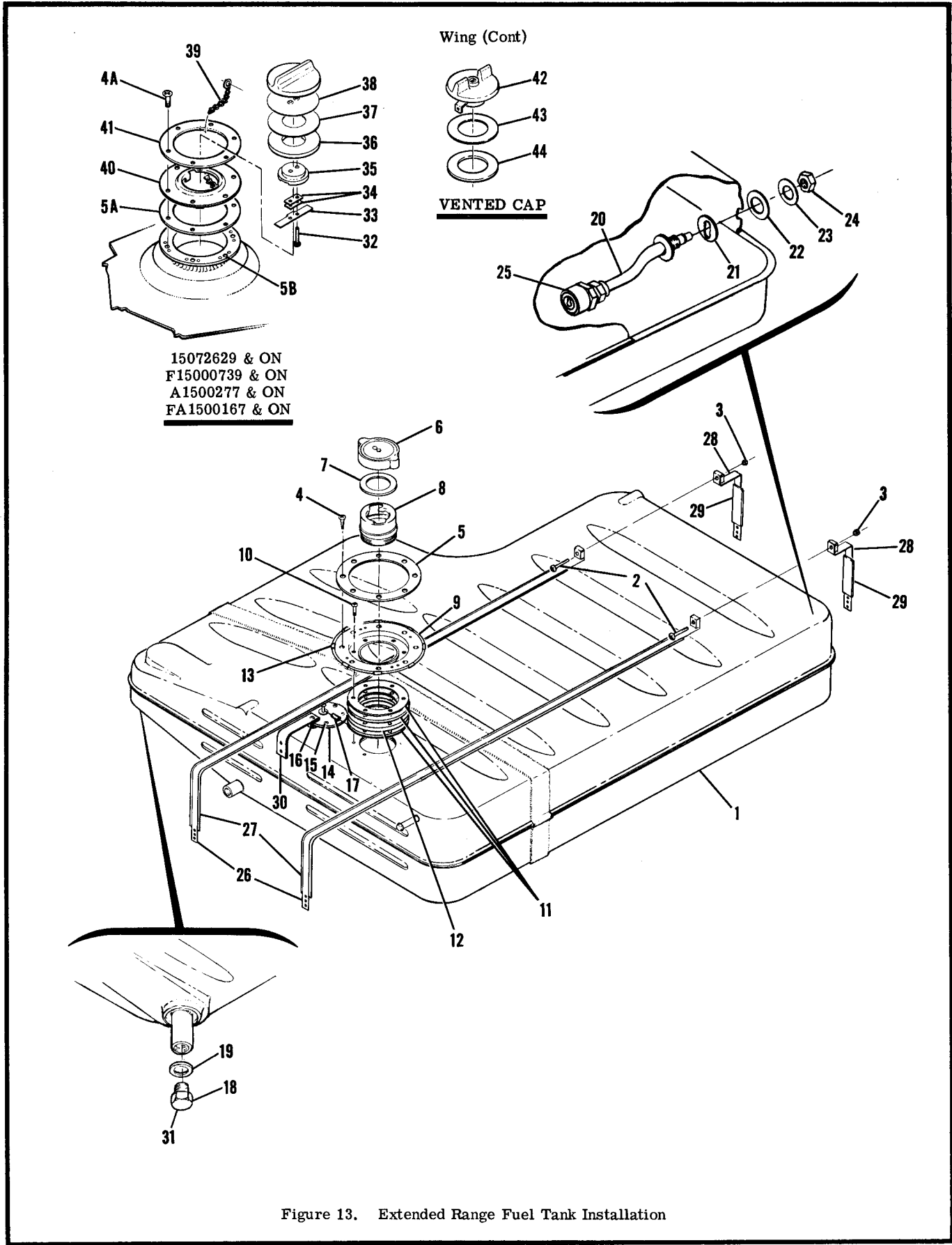


Figure 13. Extended Range Fuel Tank Installation

FIGURE AND INDEX NO.	PART NUMBER	DESCRIPTION	UNITS PER ASSY	USABLE ON CODE
13 -		FUEL TANK INSTALLATION-WING LH EXTENDED RANGE -----	NP	
		FUEL TANK INSTALLATION-WING RH EXTENDED RANGE -----	NP	
- 1	0426519-1	TANK ASSEMBLY-FUEL LH -----	1	C
	0426519-2	TANK ASSEMBLY-FUEL RH -----	1	C
	0426519-19	TANK ASSEMBLY-FUEL LH -----	1	D
	0426519-20	TANK ASSEMBLY-FUEL RH -----	1	D
		ATTACHING PARTS		
- 2	AN520-10R6	SCREW -----	2	
- 3	MS21044N3	NUT -----	2	
- 4	S102128-10	SCREW -----	8	C
- 4A	AN520-10R8	SCREW -----	6	D
- 5	0523531	SEAL -----	1	C
- 5A	0426013-1	GASKET -----	1	D
		-----*		
- 5B	NAS680A3	NUTPLATE -----	6	D
- 6	0311360-4	CAP ASSEMBLY-FUEL TANK WEU C156003-0101 -----	1	C
- 7	0311360-5	GASKET-CAP -----	1	C
- 8	0311240-17	FILLER NECK-FUEL TANK -----	1	C
- 9	0523529-1	ADAPTER ASSEMBLY-FUEL TANK -----	1	C
		ATTACHING PARTS		
-10	AN520-10R14	SCREW -----	6	C
-11	0523532	GASKET-FUEL TANK ADAPTER -----	4	C
-12	0426208-1	SPACER -----	1	C
		-----*		
-13	C9876-8-1	NUT TIN -----	8	C
-14	0426517-2	TRANSMITTER-FUEL GAGE -----	1	
		ATTACHING PARTS		
-15	AN520-10R10	SCREW -----	5	
	S350	WASHER -----	5	
	S1588-1	GASKET -----	1	
-16	0413427	STRAP GROUND -----	1	
		-----*		
-17	20 OHM, 5W	RESISTOR-FUEL TRANSMITTER OM -----	1	
-18	0523520-9	PLUG-DRAIN -----	1	E
	SEE FIG 14	VALVE-FUEL DRAIN -----	1	F
-19	MS28778-4	GASKET-DRAIN -----	1	
-20	0523552-2	WELD ASSEMBLY-FUEL CELL VENT LH TANK ONLY -----	1	
		ATTACHING PARTS		
-21	0523554-1	GASKET LH TANK ONLY -----	1	
-22	0523554-2	GASKET LH TANK ONLY -----	1	
-23	0523556-1	WASHER LH TANK ONLY -----	1	
-24	AN924-6D	NUT LH TANK ONLY -----	1	
		-----*		
-25	0716124-6	VALVE ASSEMBLY-FUEL VENT LH TANK ONLY -----	1	A
		WEU 0716124-9		
	0716124-9	VALVE ASSEMBLY-FUEL VENT LH TANK ONLY -----	1	B
-26	0426512-6	STRAP ASSEMBLY-FUEL TANK INBOARD -----	2	
-27	0426512-8	PAD-NEOPRENE -----	1	
-28	0523522-1	STRAP ASSEMBLY-FUEL TANK OUTBOARD -----	2	
-29	0523522-7	PAD-NEOPRENE -----	1	
-30	0516006-1	STRAP FUEL TRANSMITTER GROUND -----	1	
-31	SEE FIG 14	VALVE-FUEL DRAIN USED WITH SAMPLER CUP -----	1	
	0426015-1	CAP ASSEMBLY-FUEL TANK LH -----	1	D
-32	AN530-10R12	SCREW -----	2	D
-33	0426015-9	LEAF SPRING -----	1	D
-34	0426015-8	SHIM -----	1	D
-35	0426015-6	SPACER -----	1	D
-36	0426015-5	GASKET -----	1	D
-37	0426015-4	WASHER -----	1	D
-38	0426015-10	PLATE -----	1	D
-39	C156001-0104	CHAIN ASSEMBLY -----	1	D

CONTINUED ON NEXT PAGE

FIGURE AND INDEX NO.	PART NUMBER	DESCRIPTION	UNITS	USABLE
			PER ASSY	ON CODE
		1 2 3 4 5 6 7		
13 -40	0426011-4	FUEL FILLER NECK -----	1	D
-41	0426013-2	GASKET -----	1	D
-42	C156003-0101	CAP ASSY-VENTED FUEL USED ON LH & RH TANKS -----	1	C
	C156003-0101	CAP ASSY-VENTED FUEL RH TANK ONLY -----	1	C
-43	4970	SLIDE WASHER WISO -----	1	
-44	4969	GASKET WISO -----	1	
		A---150 SERIAL 15071129 THRU 15071913 F150 SERIAL F15000530 THRU F15000658 A150 SERIAL A1500001 THRU A1500201 FA150 SERIAL FA1500001 THRU FA1500081		
		B---150 SERIAL 15071914 & ON F150 SERIAL F15000659 & ON A150 SERIAL A1500202 & ON FA150 SERIAL FA1500682 & ON		
		C---150 SERIAL 15071129 THRU 15072628 F150 SERIAL F15000530 THRU F15000738 A150 SERIAL A1500001 THRU A1500276 FA150 SERIAL FA1500001 THRU FA1500166		
		D---150 SERIAL 15072629 & ON F150 SERIAL F15000739 & ON A150 SERIAL A1500277 & ON FA150 SERIAL FA1500167 & ON		
		E---150 SERIAL 15071129 THRU 15075781 F150 SERIAL F15000530 THRU F15001143 A150 SERIAL A1500001 THRU A1500523 FA150 SERIAL FA1500001 THRU FA1500261		
		F---150 SERIAL 15075782 & ON F150 SERIAL F15001144 & ON A150 SERIAL A1500524 & ON FA150 SERIAL FA1500262 & ON		

Wing (Cont)

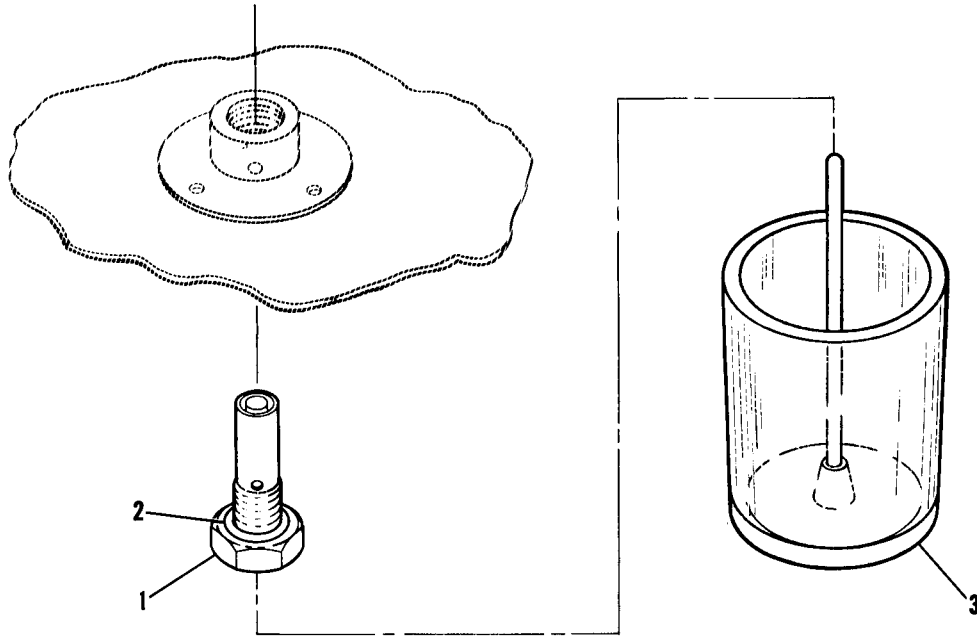


Figure 14. Fuel Tank Drain Valve Installation

FIGURE AND INDEX NO.	PART NUMBER	DESCRIPTION	UNITS PER ASSY	USABLE ON CODE
		1 2 3 4 5 6 7		
14 -		FUEL TANK DRAIN VALVE INSTALLATION -----	1	
- 1	S2106-2	* VALVE-FUEL TANK DRAIN -----	2	
- 2	MS29513-12	O RING -----	1	
- 3	S2107-1	* CUP-FUEL SAMPLER -----	1	
		NOTE. *THESE PARTS & INSTALLATION INSTRUCTIONS ARE AVAILABLE AS A KIT & MAY BE ORDERED UNDER P/N AK150-82		

Wing (Cont)

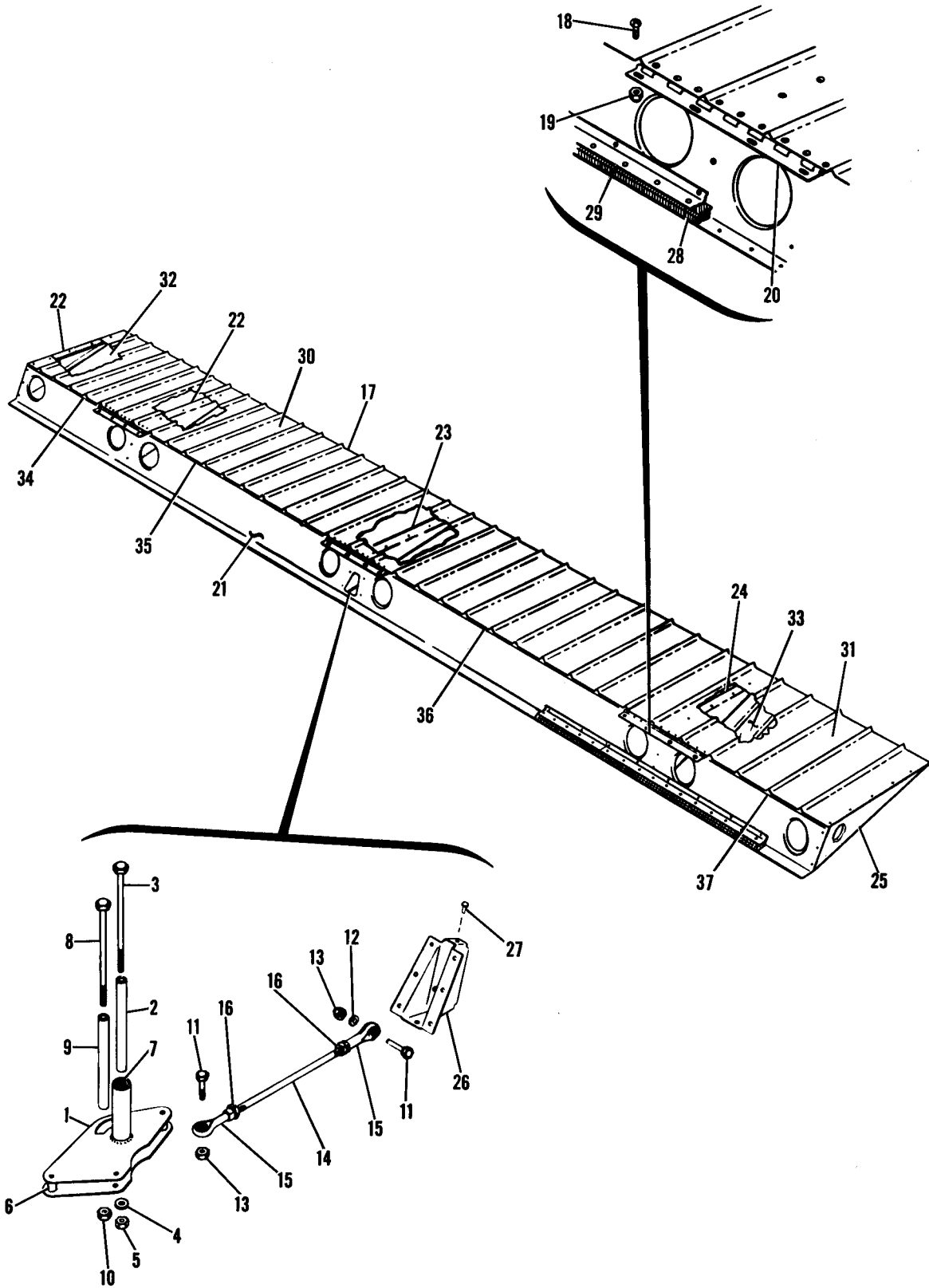


Figure 15. Aileron Installation

FIGURE AND INDEX NO.	PART NUMBER	DESCRIPTION	UNITS	USABLE
			PER ASSY	ON CODE
		1 2 3 4 5 6 7		
15 -		AILERON INSTALLATION -----	NP	
- 1	0523223	BELLCRANK ASSEMBLY-AILERON LH -----	1	
	0523223-1	BELLCRANK ASSEMBLY-AILERON RH -----	1	
		ATTACHING PARTS -----		
- 2	0523221	BUSHING -----	1	
- 3	AN4-42A	BOLT -----	1	
- 4	0522629-1	WASHER -----	1	
- 5	MS21042L4	NUT -----	1	
		---*---		
- 6	0422280	BUSHING -----	2	
- 7	B610	BEARING TOR -----	2	
- 8	AN4-42A	BOLT -----	1	
- 9	0523222	BUSHING-BELLCRANK STOP -----	1	
-10	MS21042L4	NUT -----	1	
	0523218	ROD ASSEMBLY-AILERON PUSH PULL -----	2	
		ATTACHING PARTS -----		
-11	AN3-7A	BOLT -----	2	
-12	AN960-10	WASHER -----	1	
-13	MS21044N3	NUT -----	2	
		---*---		
-14	0523218-2	ROD-AILERON PUSH PULL -----	1	
-15	S1819-3	END-ROD -----	2	
-16	AN316-4R	NUT-CHECK -----	2	
-17	0523800	AILERON ASSEMBLY-LH -----	1	
	0523800-1	AILERON ASSEMBLY-RH -----	1	
		ATTACHING PARTS -----		
-18	NAS221-8	BOLT -----	12	
-19	MS21044N3	NUT -----	12	
		---*---		
-20	0523807	HINGE ASSEMBLY-AILERON -----	3	
-21	0523806	SPAR-AILERON LH -----	1	
	0523806-1	SPAR-AILERON RH -----	1	
-22	0523808	RIB-NO. 1-AILERON LH -----	2	
	0523808-2	RIB NO. 1-AILERON RH -----	2	
-23	0523809	RIB NO. 2-AILERON LH -----	1	
	0523809-1	RIB NO. 2-AILERON RH -----	1	
-24	0523810	RIB NO. 3-AILERON -----	1	
-25	0523811-1	RIB NO. 4-AILERON LH -----	1	
	0523811	RIB NO. 4-AILERON RH -----	1	
-26	0760011-2	BRACKET-CONTROL -----	1	
		ATTACHING PARTS -----		
-27	CR163-4-8	RIVET CY -----	1	
		---*---		
-28	0724115-2	WEIGHT-AILERON BALANCE -----	3	
		ATTACHING PARTS -----		
-29	0523814-3	BRACKET -----	1	
		---*---		
-30	0523800-6	SKIN-UPPER INBOARD LH -----	1	
	0523800-7	SKIN-UPPER INBOARD RH -----	1	
-31	0523800-8	SKIN-UPPER OUTBOARD LH -----	1	
	0523800-9	SKIN-UPPER OUTBOARD RH -----	1	
-32	0523800-10	SKIN-LOWER INBOARD LH -----	1	
	0523800-11	SKIN-LOWER INBOARD RH -----	1	
-33	0523800-12	SKIN-LOWER OUTBOARD LH -----	1	
	0523800-13	SKIN-LOWER OUTBOARD RH -----	1	
-34	0523813-1	SPACER -----	1	
-35	0523813-8	SPACER -----	1	
-36	0523813-6	SPACER -----	1	
-37	0523813-7	SPACER -----	1	

Wing (Cont)

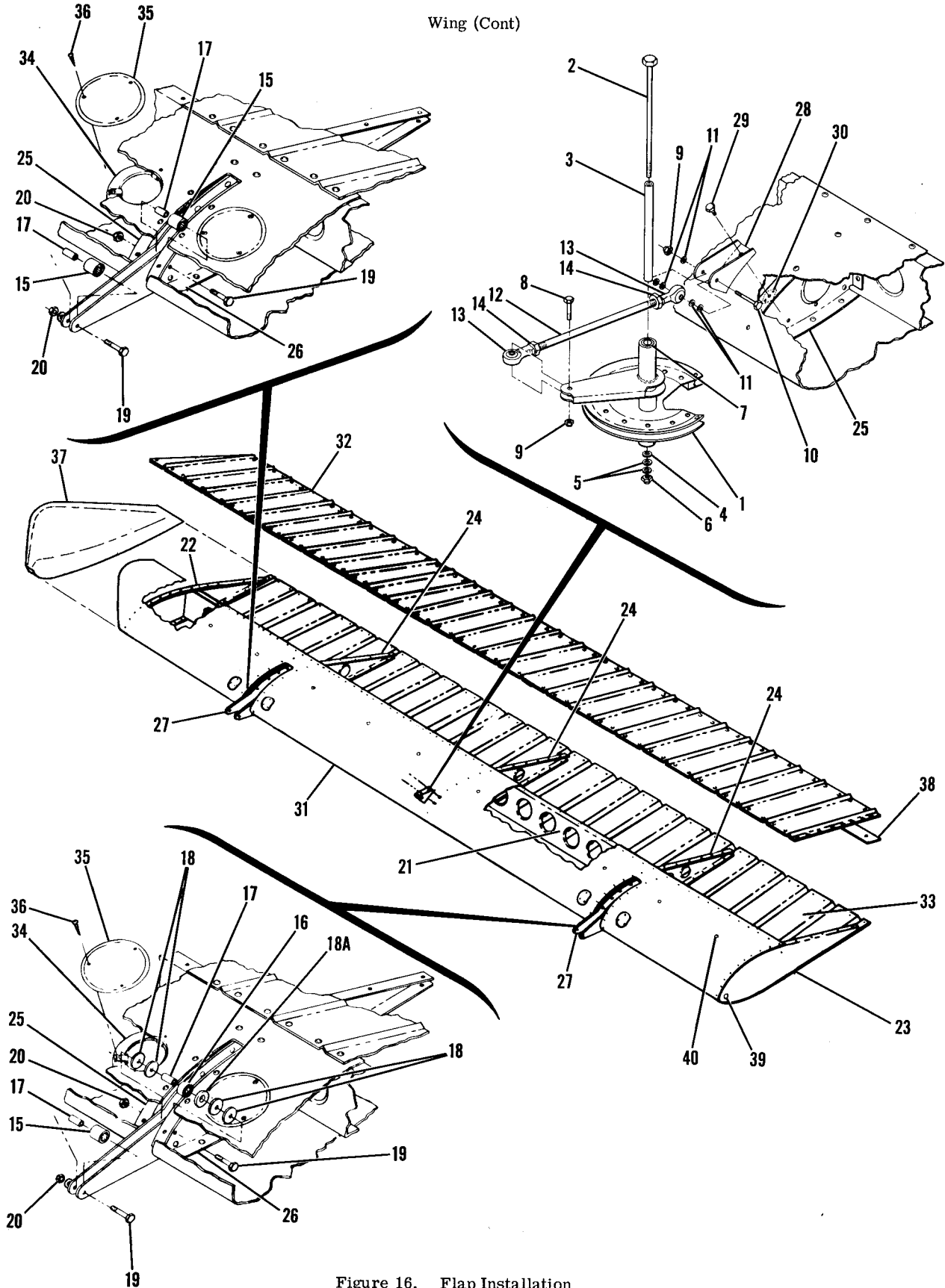


Figure 16. Flap Installation

FIGURE AND INDEX NO.	PART NUMBER	DESCRIPTION	UNITS PER ASSY	USABLE ON CODE
		1 2 3 4 5 6 7		
16 -		FLAP INSTALLATION -----	NP	
- 1	0760612-7	DRIVE PULLEY-LEFT FLAP -----	1	
	0760612-1	DRIVE PULLEY-RIGHT FLAP -----	1	
		ATTACHING PARTS -----		
- 2	AN4-60A	BOLT -----	1	
- 3	0523536	BUSHING -----	1	
- 4	0522629-1	WASHER -----	1	
- 5	AN960D416	WASHER -----	2	
- 6	MS21042L4	NUT -----	1	
		-----*		
- 7	B610	BEARING TOR -----	2	
	0523537	ROD ASSEMBLY-FLAP PUSH PULL -----	2	
		ATTACHING PARTS -----		
- 8	AN3-7A	BOLT -----	1	
- 9	MS21044N3	NUT -----	2	
-10	AN3-11A	BOLT -----	1	
-11	AN960-10	WASHER -----	5	
		-----*		
-12	0523537-2	ROD-FLAP PUSH PULL -----	1	
-13	S1819-3	END-ROD -----	2	
-14	AN316-4R	NUT-CHECK -----	2	
	0426901-15	FLAP ASSEMBLY-LEFT WING -----	1	
	0426901-16	FLAP ASSEMBLY-RIGHT WING -----	1	
		ATTACHING PARTS -----		
-15	0523921	ROLLER ASSEMBLY -----	3	
-16	0523920	ROLLER ASSEMBLY -----	1	
-17	0523919	BUSHING-ROLLER -----	4	
-18	0523922	SPACER-ROLLER OUTBOARD ONLY -----	AR	
-18A	1220114-2	SPACER-ROLLER OUTBOARD ONLY -----	1	
-19	AN3-11A	BOLT -----	4	
-20	MS21044N3	NUT -----	4	
		-----*		
-21	0426908	SPAR-FLAP LH ONLY -----	1	
	0426908-1	SPAR-FLAP RH ONLY -----	1	
-22	0523912	RIB-FLAP INBOARD -----	1	
-23	0523912-1	RIB-FLAP OUTBOARD -----	1	
-24	0523923	RIB-FLAP TRAILING EDGE -----	3	
-25	0523914	RIB-FLAP SUPPORT ARM RIGHT -----	1	
-26	0523901-13	RIB ASSEMBLY-FLAP SUPPORT ARM LEFT -----	2	
-27	0523901-14	RIB ASSEMBLY-FLAP SUPPORT ARM RIGHT -----	2	
-28	0523918	BRACKET-FLAP CONTROL -----	1	
		ATTACHING PARTS -----		
-29	AN3-4A	BOLT -----	2	
-30	MS20365F1032C	NUTPLATE -----	2	
		-----*		
-31	0426901-13	SKIN-FLAP LEADING EDGE LH ONLY -----	1	
	0426901-12	SKIN-FLAP LEADING EDGE RH ONLY -----	1	
-32	0426901-11	SKIN-FLAP UPPER LH ONLY -----	1	
	0426901-10	SKIN-FLAP UPPER RH ONLY -----	1	
-33	0426901-6	SKIN-FLAP LOWER LH ONLY -----	1	
	0426901-7	SKIN-FLAP LOWER RH ONLY -----	1	
-34	S237-4	DOUBLER-ACCESS HOLE -----	4	
-35	S225-3	COVER-ACCESS HOLE -----	4	
-36	S1021Z8-8	SCREW -----	3	
-37	0425142-1	EXTENSION-FLAP LH -----	1	
	0425142-2	EXTENSION-FLAP RH -----	1	
-38	0426901-14	REINFORCEMENT WEU 0426901-17 -----	1	A
	0426901-17	REINFORCEMENT -----	1	B
-39	CM2692-20-1S	PLUG BUTTON -----	1	
-40	S1093-1	PLUG BUTTON -----	12	

NOTE. *WHEN ORDERING THESE PARTS ALSO ORDER PARTS MARKED **.

A---150 SERIAL 15071129 THRU 15075080
 F150 SERIAL F15000530 THRU F15001073
 A150 SERIAL A1500001 THRU A1500441
 FA150 SERIAL FA1500001 THRU FA1500236

B---150 SERIAL 15075081 & ON
 F150 SERIAL F15001074 & ON
 A150 SERIAL A1500442 & ON
 FA150 SERIAL FA1500237 & ON

Strut

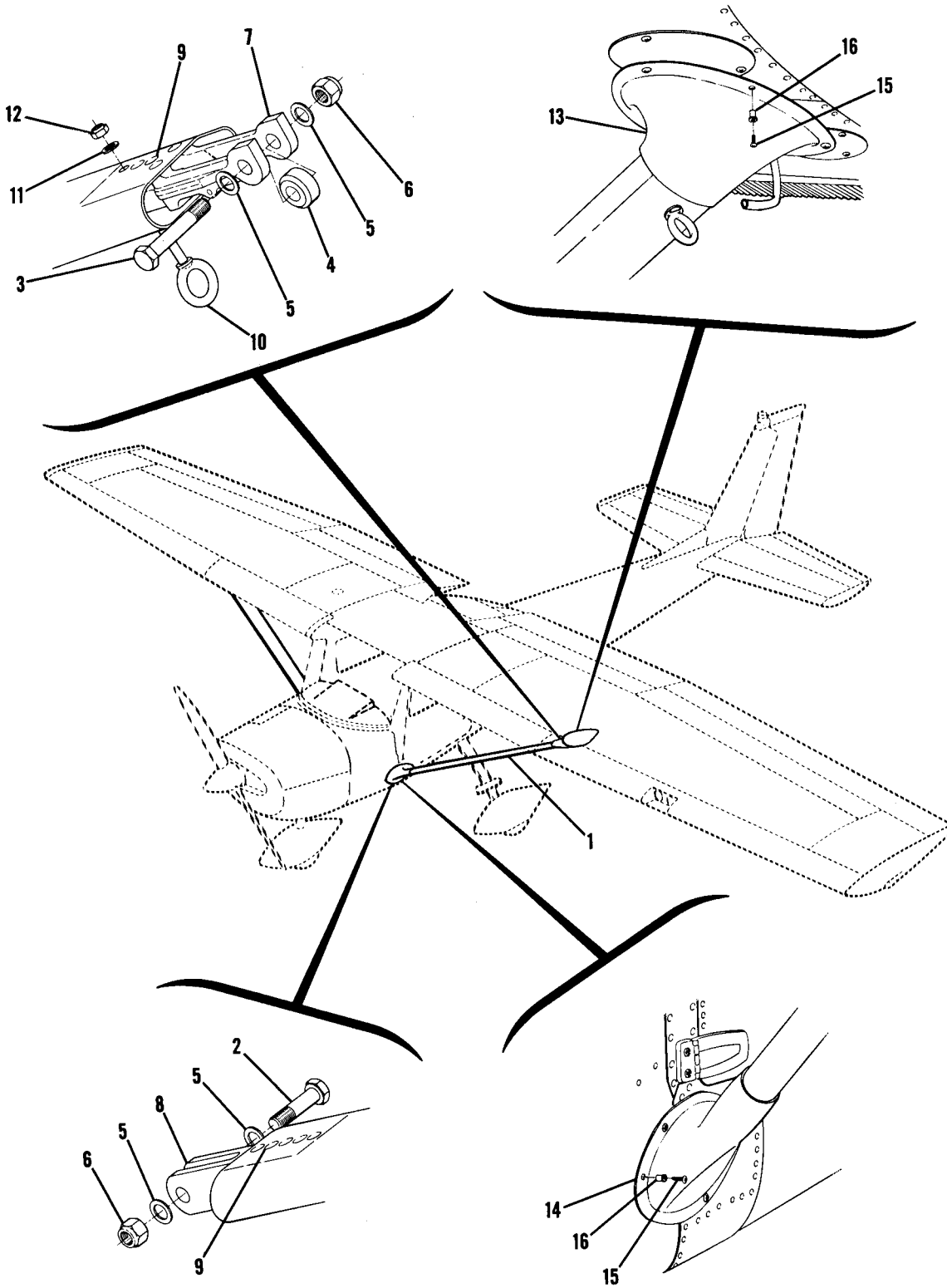


Figure 17. Wing Strut Installation



FIGURE AND INDEX NO.	PART NUMBER	DESCRIPTION	UNITS PER ASSY	USABLE ON CODE		
					1	2
17 -		WING STRUT INSTALLATION -----	NP			
- 1	0421000-1	STRUT ASSEMBLY-WING LH -----	1	A		
	0421000-7	STRUT ASSEMBLY-WING LH -----	1	B		
	0421000-2	STRUT ASSEMBLY-WING RH -----	1	A		
	0421000-8	STRUT ASSEMBLY-WING RH -----	1	B		
		ATTACHING PARTS				
- 2	AN8-17A	BOLT -----	1			
- 3	AN8-25A	BOLT -----	1			
- 4	0523307	SPACER -----	1	A		
	0523307-1	SPACER -----	1	B		
- 5	AN960-816	WASHER -----	4			
- 6	MS20365-820C	NUT -----	2			
		---*---				
- 7	0523614-1	FITTING-STRUT UPPER -----	1			
- 8	0421001-1	FITTING-STRUT LOWER LH & RH -----	1	A		
	0421001-3	FITTING-STRUT LOWER LH -----	1	B		
	0421001-2	FITTING-STRUT LOWER RH -----	1	B		
		ATTACHING PARTS				
- 9	MS20470AD10-31	RIVET -----	5			
		---*---				
-10	0523613-1	EYEBOLT-MOORING -----	1			
-11	AN960-516	WASHER -----	1			
-12	MS21042L5	NUT -----	1			
-13	0522150-3-791	FAIRING-STRUT UPPER LH -----	1	A		
	0522150-7-791	FAIRING-STRUT UPPER LH -----	1	B		
	0522150-4-791	FAIRING-STRUT UPPER RH -----	1	A		
	0522150-6-791	FAIRING-STRUT UPPER RH -----	1	B		
-14	0421002-1-791	FAIRING-STRUT LOWER LH -----	1	A		
	0421002-3-791	FAIRING-STRUT LOWER LH -----	1	B		
	0421002-2-791	FAIRING-STRUT LOWER RH -----	1	A		
	0421002-4-791	FAIRING-STRUT LOWER RH -----	1	B		
		ATTACHING PARTS				
-15	AN515-8R8	SCREW -----	3			
-16	NAS1329A08-75	RIVNUT -----	3			
		---*---				
		A---150 SERIAL 15071129 & ON F150 SERIAL F15000530 & ON				
		B---A150 SERIAL A1500001 & ON FA150 SERIAL FA1500001 & ON				

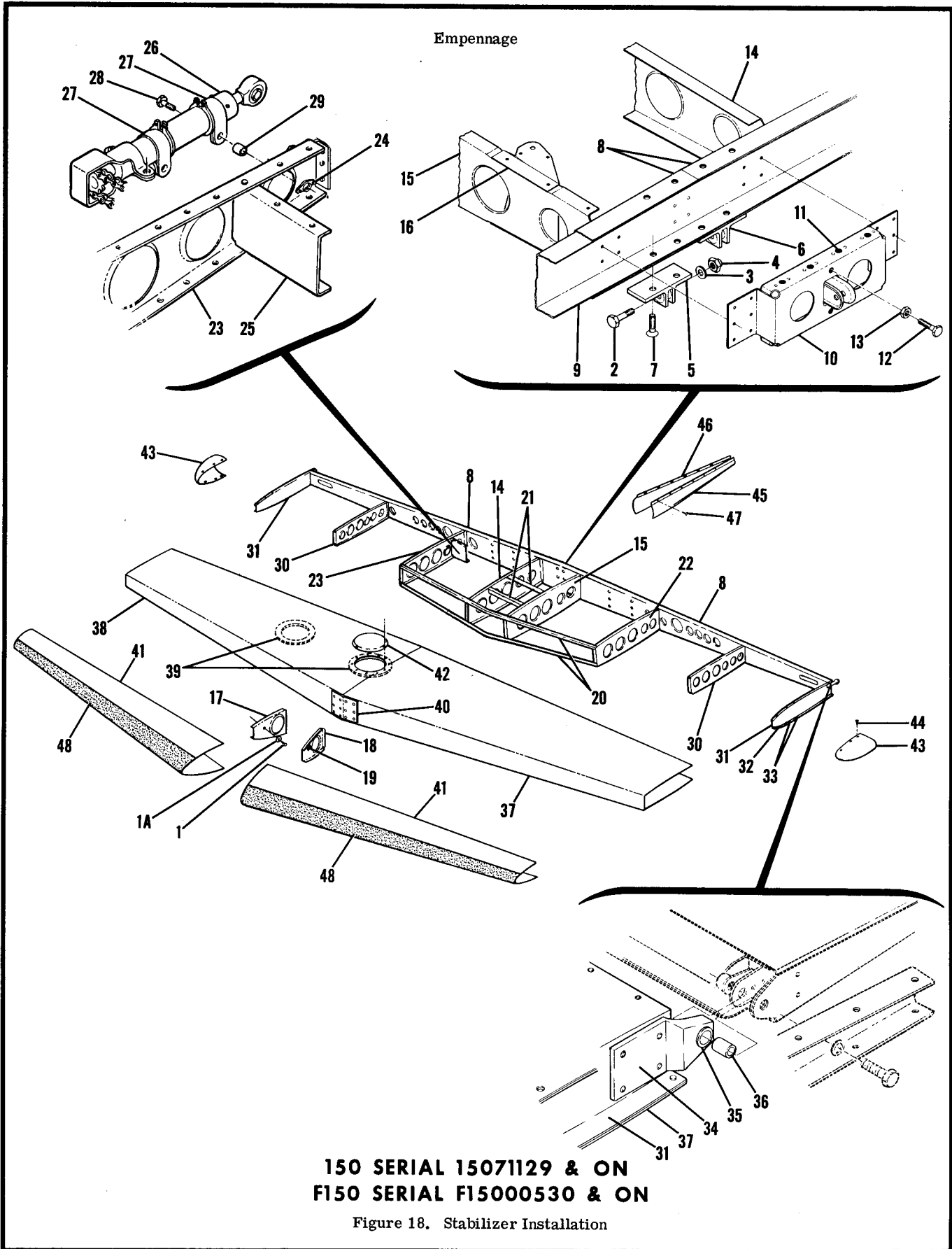


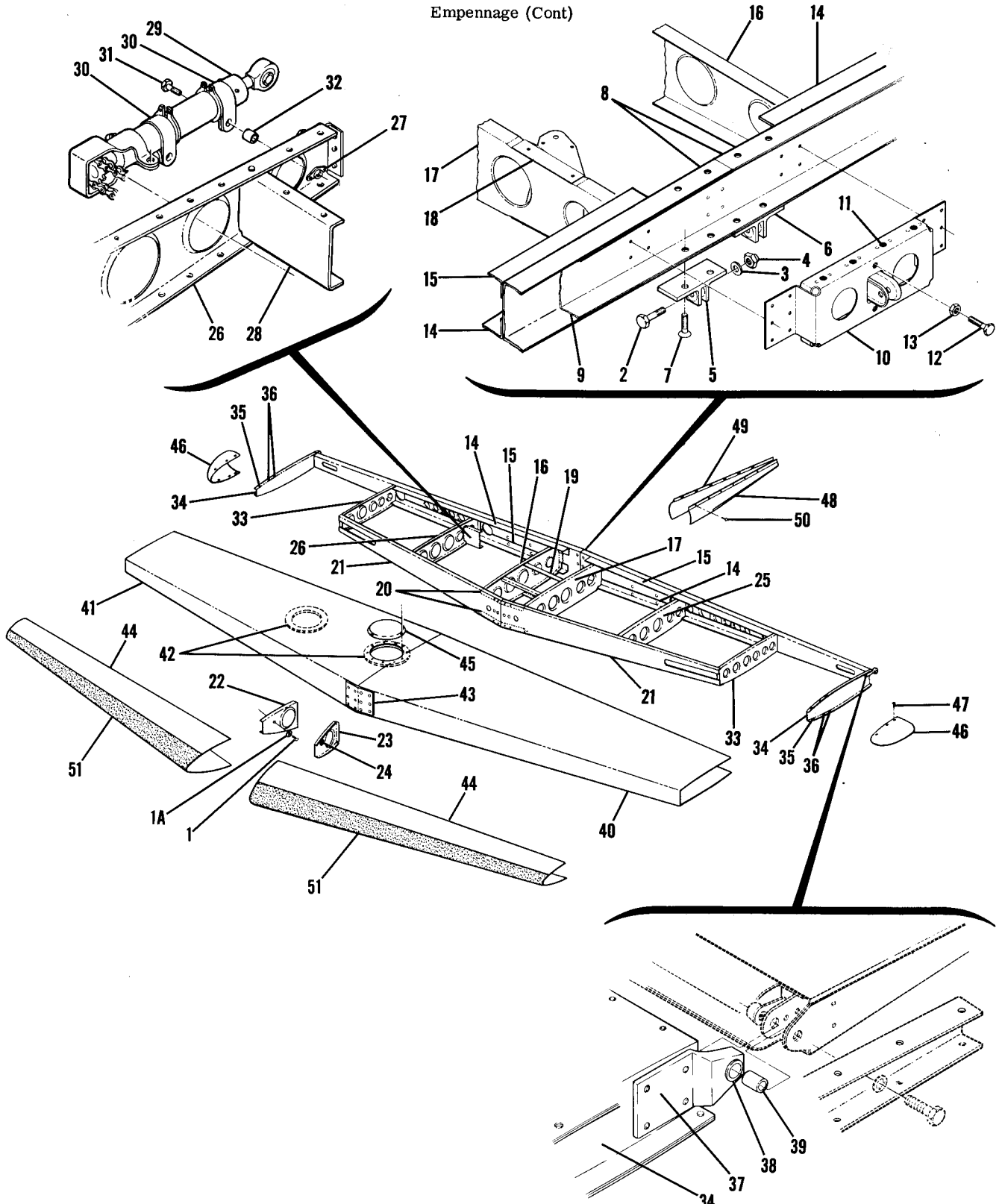
FIGURE AND INDEX NO.	PART NUMBER	DESCRIPTION	UNITS PER ASSY	USABLE ON CODE
18 -	0432001-59	STABILIZER INSTALLATION ----- STABILIZER ASSEMBLY ----- ATTACHING PARTS -----	NP 1	A
- 1	AN4-5A	BOLT -----	2	
- 1A	S1450-4A10-071	WASHER -----	2	
- 2	AN4-7A	BOLT -----	2	
- 3	AN960-416L	WASHER -----	2	
- 4	MS21042L4	NUT -----	2	
		---*---		
- 5	0432005-1	FITTING-LH -----	1	
- 6	0432005-2	FITTING-RH -----	1	
		ATTACHING PARTS -----		
- 7	AN509-416R12	SCREW -----	2	
		---*---		
- 8	0432001-56	SPAR-STABILIZER -----	2	
- 9	0432001-15	REINFORCEMENT -----	1	
-10	0432004-1	BRACKET ASSEMBLY -----	1	D
	0432004-9	BRACKET ASSEMBLY -----	1	E
-11	NAS1068A4	NUTPLATE -----	8	
-12	NAS428H3-7	BOLT-ELEVATOR STOP -----	2	
-13	AN315-3R	NUT-ELEVATOR STOP -----	2	
-14	0432001-8	RIB-RH -----	1	
-15	0432001-9	RIB-LH -----	1	
-16	0432001-19	BRACKET-UPPER HALF -----	1	
	0432001-20	BRACKET-LOWER HALF -----	1	
-17	0432001-6	RIB ASSEMBLY-LEADING EDGE RH -----	1	
-18	0432001-46	RIB ASSEMBLY-LEADING EDGE LH -----	1	
-19	NAS686A4	NUTPLATE -----	1	
-20	0432001-37	ANGLE -----	2	
-21	0432001-41	STIFFENER -----	2	
-22	0432001-11	RIB-LH -----	1	
-23	0432001-10	RIB ASSEMBLY-RH -----	1	
-24	NAS680A3K	NUTPLATE RH ONLY -----	2	
-25	0432001-43	RIB RH ONLY -----	1	
-26	SEE FIG 19A	ACTUATOR ASSEMBLY-ELEVATOR TAB ----- ATTACHING PARTS -----	1	
-27	AN742D13	CLAMP -----	2	
-28	AN520-10R12	SCREW -----	2	
-29	S355	SPACER -----	AR	
		---*---		
-30	0432001-12	RIB -----	2	
-31	0432001-53	RIB -----	2	
-32	S1863-3A	NUTPLATE -----	4	
-33	S1862-2A	NUTPLATE -----	8	
-34	0432165-1	HINGE ASSEMBLY -----	2	
-35	S1003-65A	BEARING -----	1	
-36	0432003-1	BUSHING -----	1	
-37	0432001-55	SKIN-STABILIZER LH -----	1	
-38	0432001-54	SKIN-STABILIZER RH -----	1	
-39	S237-2	DOUBLER RH ONLY -----	2	
-40	0432001-44	PLATE-REINFORCEMENT -----	1	
-41	0432001-16	SKIN-LEADING EDGE -----	2	
-42	S225-1	PLATE-INSPECTION ----- ATTACHING PARTS -----	2	
	S102128-8	SCREW -----	3	
		---*---		
-43	0430004-11-791	TIP-STABILIZER ----- ATTACHING PARTS -----	2	
-44	S102128-6	SCREW -----	6	
		---*---		

CONTINUED ON NEXT PAGE

FIGURE AND INDEX NO.	PART NUMBER	DESCRIPTION	UNITS PER ASSY	USABLE ON CODE
18 -45	0431015-5	FAIRING ASSEMBLY-LH -----	1	B
	0431015-7	FAIRING ASSEMBLY-LH -----	1	C
-46	0431015-6	FAIRING ASSEMBLY-RH -----	1	B
	0431015-8	FAIRING ASSEMBLY-RH -----	1	C
-47	S1021Z6-6	ATTACHING PARTS		
		SCREW -----	11	
-48	S1863-2A	-----*		
	S1938-3-68.00	NUTPLATE -----	2	
		BOOT-ABRASION -----	2	C
		A---150 SERIAL 15071129 & ON F150 SERIAL F15000530 & ON		
		B---150 SERIAL 15071129 THRU 15072003 F150 SERIAL F15000530 THRU F15000658		
		C---150 SERIAL 15072004 & ON F150 SERIAL F15000659 & ON		
		D---150 SERIAL 15071129 THRU 15075504 F150 SERIAL F15000530 THRU F15001133		
		E---150 SERIAL 15075505 & ON F150 SERIAL F15001134 & ON		

This page intentionally left blank.

Empennage (Cont)



A150 SERIAL A1500001 & ON
FA150 SERIAL FA1500001 & ON

Figure 19. Stabilizer Installation-Aerobat

FIGURE AND INDEX NO.	PART NUMBER	DESCRIPTION	UNITS PER ASSY	USABLE ON CODE
19 -	0432001-61	STABILIZER INSTALLATION-AEROBAT ----- STABILIZER ASSEMBLY ----- ATTACHING PARTS	NP 1	A
- 1	AN4-5A	BOLT -----	2	
- 1A	S1450-4A10-071	WASHER -----	2	
- 2	AN4-7A	BOLT -----	2	
- 3	AN960-416L	WASHER -----	2	
- 4	MS21042L4	NUT ----- -----*-----	2	
- 5	0432005-1	FITTING-LH -----	1	
- 6	0432005-2	FITTING-RH ----- ATTACHING PARTS	1	
- 7	AN509-416R12	SCREW ----- -----*-----	2	
- 8	0432001-56	SPAR-STABILIZER -----	2	
- 9	0432001-15	REINFORCEMENT -----	1	
-10	0432004-1	BRACKET ASSEMBLY -----	1	D
	0432004-9	BRACKET ASSEMBLY -----	1	E
-11	NAS1068A4	NUTPLATE -----	8	
-12	NAS428H3-7	BOLT-ELEVATOR STOP -----	2	
-13	AN315-3R	NUT-ELEVATOR STOP -----	2	
-14	0432007-1	REINFORCEMENT-STABILIZER UPPER RH & LOWER LH -----	2	
-15	0432007-2	REINFORCEMENT-STABILIZER UPPER LH & LOWER RH -----	2	
-16	0432001-66	RIB-RH -----	1	
-17	0432001-67	RIB-LH -----	1	
-18	0432001-19	BRACKET-UPPER HALF -----	1	
	0432001-20	BRACKET-LOWER HALF -----	1	
-19	0432001-41	STIFFENER -----	4	
-20	0432007-3	REINFORCEMENT -----	2	
-21	0432006-1	SPAR DOUBLER-STABILIZER -----	2	
-22	0432001-6	RIB ASSEMBLY-LEADING EDGE RH -----	1	
-23	0432001-46	RIB ASSEMBLY-LEADING EDGE LH -----	1	
-24	NAS686A4	NUTPLATE -----	1	
-25	0432001-68	RIB-LH -----	1	
-26	0432001-69	RIB ASSEMBLY-RH -----	1	
-27	NAS680A3K	NUTPLATE RH ONLY -----	2	
-28	0432001-43	RIB RH ONLY -----	1	
-29	SEE FIG 19A	ACTUATOR ASSEMBLY-ELEVATOR TAB ----- ATTACHING PARTS	1	
-30	AN742D13	CLAMP -----	2	
-31	AN520-10R12	SCREW -----	2	
-32	S355	SPACER ----- -----*-----	AR	
-33	0432001-70	RIB -----	2	
-34	0432001-53	RIB -----	2	
-35	S1893-3A	NUTPLATE -----	4	
-36	S1892-2A	NUTPLATE -----	8	
-37	0432165-1	HINGE ASSEMBLY -----	2	
-38	S1003-65A	BEARING -----	1	
-39	0432003-1	BUSHING -----	1	
-40	0432001-65	SKIN-STABILIZER LH -----	1	
-41	0432001-64	SKIN-STABILIZER RH -----	1	
-42	S237-2	DOUBLER RH ONLY -----	2	
-43	0432001-63	PLATE-REINFORCEMENT -----	1	
-44	0432001-62	SKIN-LEADING EDGE -----	2	
-45	S225-1	PLATE-INSPECTION ----- ATTACHING PARTS	2	
	S1021Z8-8	SCREW ----- -----*-----	3	
-46	0430004-11-791	TIP-STABILIZER ----- ATTACHING PARTS	2	
-47	S1021Z8-6	SCREW ----- -----*-----	6	

CONTINUED ON NEXT PAGE

FIGURE AND INDEX NO.	PART NUMBER	DESCRIPTION	UNITS PER ASSY	USABLE ON CODE
19 -48	0431015-5	FAIRING ASSEMBLY-LH -----	1	B
	0431015-7	FAIRING ASSEMBLY-LH -----	1	C
-49	0431015-6	FAIRING ASSEMBLY-RH -----	1	B
	0431015-8	FAIRING ASSEMBLY-RH -----	1	C
		ATTACHING PARTS		
-50	S1021Z6-6	SCREW -----	11	
		-----*		
	S1893-2A	NUTPLATE -----	2	
-51	S1938-3-68.00	BOOT-ABRASION -----	2	C
		A---A150 SERIAL A1500001 & ON FA150 SERIAL FA1500001 & ON		
		B---A150 SERIAL A1500001 THRU A1500226 FA150 SERIAL FA1500001 THRU FA1500081		
		C---A150 SERIAL A1500227 & ON FA150 SERIAL FA1500082 & ON		
		D---A150 SERIAL A1500001 THRU A1500478 FA150 SERIAL FA1500001 THRU FA1500261		
		E---A150 SERIAL A1500479 & ON FA150 SERIAL FA1500262 & ON		

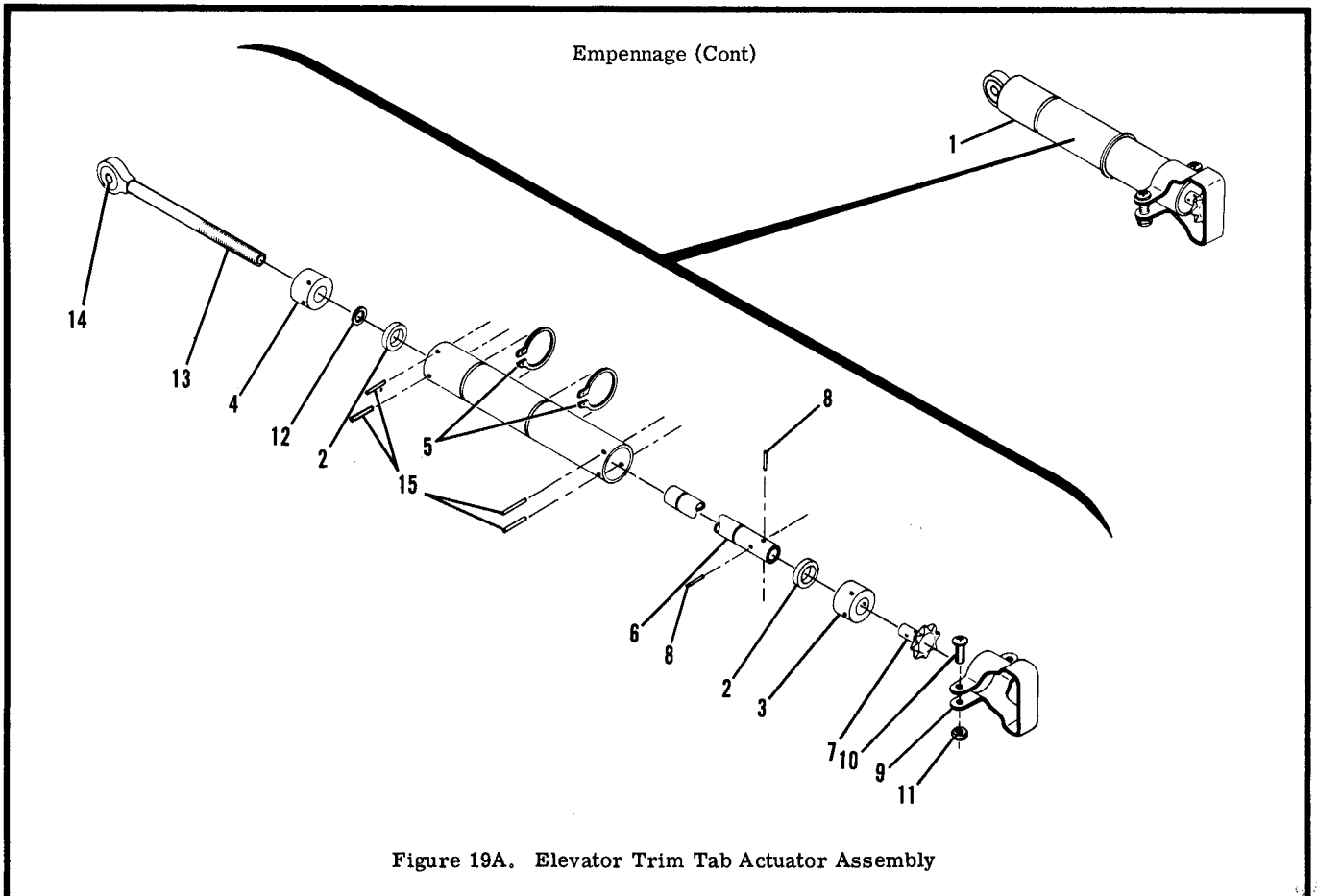


Figure 19A. Elevator Trim Tab Actuator Assembly

FIGURE AND INDEX NO.	PART NUMBER	DESCRIPTION	UNITS PER ASSY	USABLE ON CODE
19A- 1	1260074-1	ELEVATOR TRIM TAB ACTUATOR ASSEMBLY -----	1	
- 2	0310295	COLLAR-ACTUATOR -----	2	
- 3	0310297-1	BEARING-ACTUATOR -----	1	
- 4	0310298-1	BEARING-ACTUATOR -----	1	
- 5	MS16624-1081	RING-RETAINER OUTSIDE -----	2	
- 6	1260049-1	SCREW INTERNAL THREADS -----	1	
- 7	0310332	SPROCKET-ROLL CHAIN -----	1	
		ATTACHING PARTS		
- 8	3/32X.38TYPE3	GROOV-PIN -----	2	
		-----*		
- 9	0310422-1	GUARD-ROLL CHAIN -----	1	
		ATTACHING PARTS		
-10	AN515-8R8	SCREW -----	2	
-11	MS21044N08	NUT -----	2	
		-----*		
-12	AN6227-5	PACKING ACTUATOR -----	1	
-13	0310362-5	SCREW ASSEMBLY-ACTUATOR -----	1	
-14	PN3A	BEARING TOR -----	1	
-15	1/16X.62TYPE3	GROOV-PIN -----	4	

Empennage (Cont)

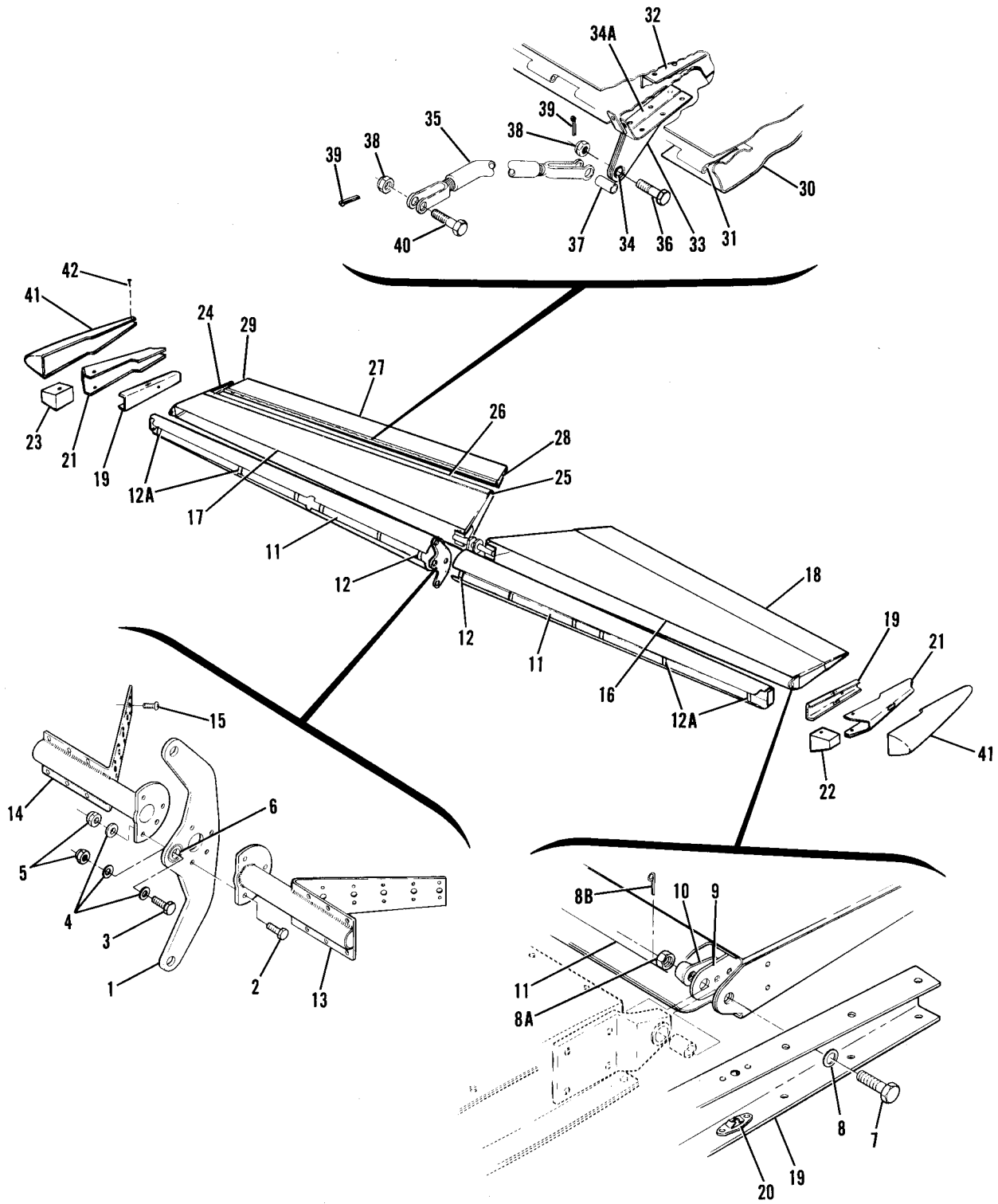


Figure 20. Elevator Installation

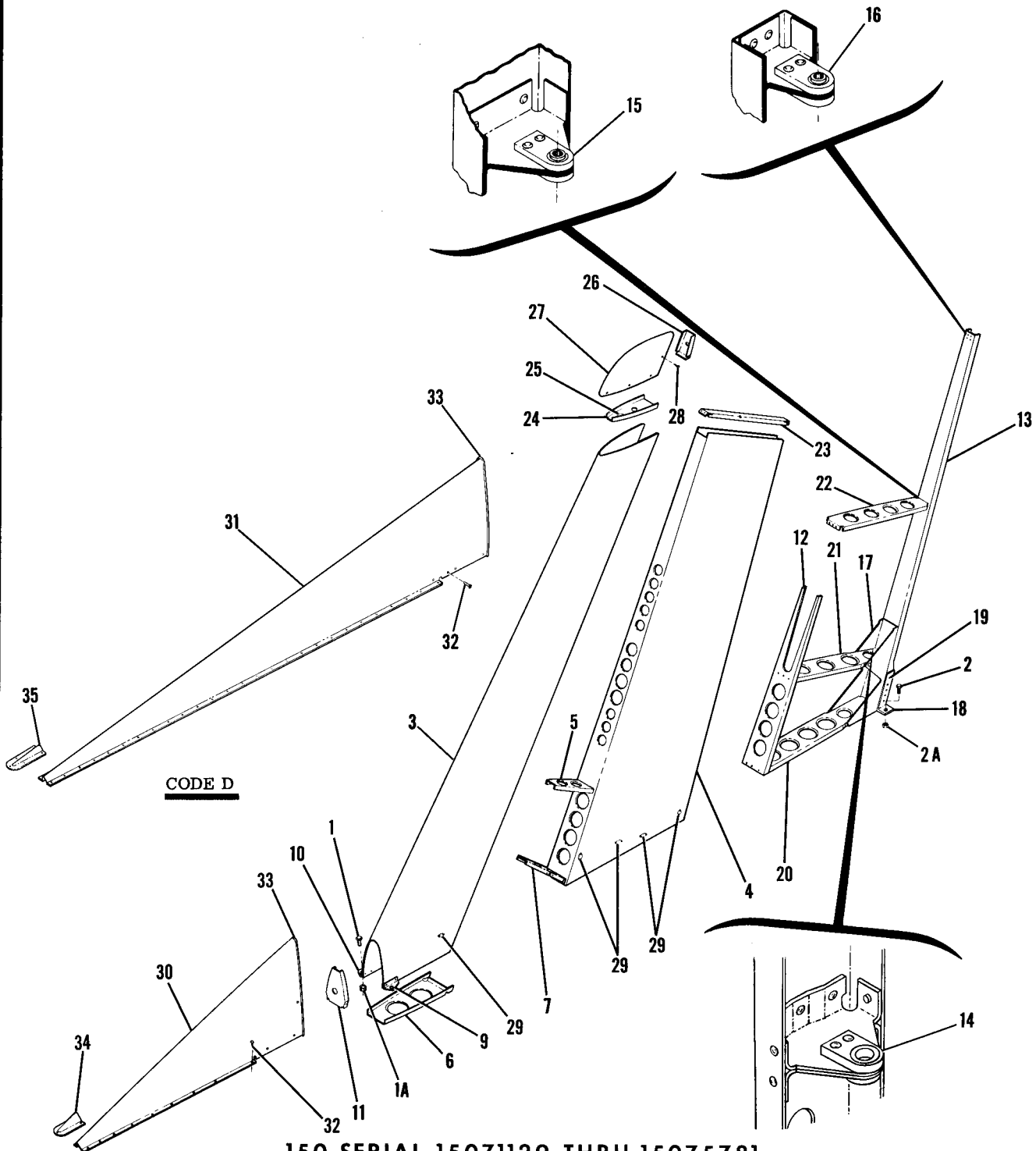
FIGURE AND INDEX NO.	PART NUMBER	DESCRIPTION	UNITS PER ASSY	USABLE ON CODE
20 -		ELEVATOR INSTALLATION	NP	
- 1	0432166-3	BELLCRANK ASSEMBLY-ELEVATOR WEU 0432166-5	1	E
	0432166-5	BELLCRANK ASSEMBLY-ELEVATOR	1	F
		ATTACHING PARTS		
- 2	AN3-5A	BOLT	4	
- 3	AN3-6A	BOLT	1	
- 4	AN960-10	WASHER	6	
- 5	MS21044N3	NUT	5	
		-----*-----		
- 6	S1866-3	BEARING	1	
	0432001-51	ELEVATOR ASSEMBLY-LH	1	
	0432001-52	ELEVATOR ASSEMBLY-RH	1	
		ATTACHING PARTS		
- 7	AN3-7	BOLT	1	
- 8	AN960-10	WASHER	1	
- 8A	AN310-3	NUT	1	B
- 8B	MS24665-132	PIN-COTTER	1	B
		-----*-----		
- 9	0432001-24	HINGE ASSEMBLY-HALF WEU 0432001-71	1	A
	0432001-71	HINGE-HALF	1	B
-10	NAS682A3	NUTPLATE	1	A
-11	0432001-21	SPAR-ELEVATOR	1	
-12	0534126-1	CLIP	1	
-12A	0534126-4	CLIP	5	
-13	0434155-1	TUBE ASSEMBLY-TORQUE LH	1	
-14	0434155-2	TUBE ASSEMBLY-TORQUE RH	1	
		ATTACHING PARTS		
-15	AN520-10R7	SCREW	5	
		-----*-----		
-16	0432001-23	SKIN-ELEVATOR LH	1	
-17	0432001-22	SKIN-ELEVATOR RH	1	
	NAS680A3K	NUTPLATE	5	
	0432001-42	DOUBLER RH ONLY	1	
-18	0432001-34	SKIN-LH ELEVATOR TRAILING EDGE	1	
-19	0431001-31	RIB	1	
-20	S1863-3A	NUTPLATE	2	
-21	0431001-30	CHANNEL	1	
-22	0433134-3	WEIGHT-ELEVATOR BALANCE LH	1	
-23	0433134-6	WEIGHT-ELEVATOR BALANCE RH	1	
		ATTACHING PARTS		
	AN525-8R8	SCREW	2	
		-----*-----		
-24	0432001-57	RIB ASSEMBLY-RH ONLY	1	
	S1863-3A	NUTPLATE	2	
-25	0432001-21	STRIP-TAB HINGE REINFORCEMENT RH ONLY	1	
-26	0432001-33	HINGE HALF-TAB RH ONLY	1	
		ATTACHING PARTS		
	MS20253-2-44.13	PIN	1	
		-----*-----		
-27	0432001-5	TAB ASSEMBLY-ELEVATOR RH ONLY	1	
-28	0432001-35	RIB-TAB	1	
-29	0432001-36	RIB-TAB	1	
-30	0432001-26	SKIN-TAB	1	
-31	0432001-27	HINGE HALF	1	
-32	0432001-30	RIB-HORN REINFORCEMENT	1	
-33	0432168-5	HORN ASSEMBLY-TAB WEU 0412527-1	1	C
	0412527-1	HORN ASSEMBLY-TAB	1	D
-34	S1004-15B	BEARING	1	
-34A	0412527-2	PLATE-TRIM TAB HORN	1	D
-35	0432163-3	TUBE ASSEMBLY-TAB ACTUATOR	1	
		ATTACHING PARTS		
-36	AN3-5	BOLT	1	
-37	NAS74A3-004	BUSHING	1	
-38	AN320-3	NUT	2	
-39	MS24665-132	PIN-COTTER	2	
-40	AN3-6	BOLT	1	
		-----*-----		

CONTINUED ON NEXT PAGE

FIGURE AND INDEX NO.	PART NUMBER	DESCRIPTION	UNITS PER ASSY	USABLE ON CODE
20 -41	0430004-10-791	1 2 3 4 5 6 7 TIP-ELEVATOR ----- ATTACHING PARTS	2	
-42	S102128-6	SCREW ----- -----*-----	8	
<p>NOTE. *WHEN ORDERING THIS PART FOR AIRCRAFT PRIOR TO SERIALS 15072436, F15000779, A1500227 & FA1500162 ALSO ORDER ONE 0412527-2 PLATE & ONE NAS74A3-004 BUSHING.</p> <p>A---150 SERIAL 15071129 THRU 15071621 F150 SERIAL F15000530 THRU F15000699 A150 SERIAL A1500001 THRU A1500129 FA150 SERIAL FA1500001 THRU FA1500039</p> <p>B---150 SERIAL 15071622 & ON F150 SERIAL F15000700 & ON A150 SERIAL A1500130 & ON FA150 SERIAL FA1500040 & ON</p> <p>C---150 SERIAL 15071129 THRU 15072435 F150 SERIAL F15000530 THRU F15000778 A150 SERIAL A1500001 THRU A1500256 FA150 SERIAL FA1500001 THRU FA1500161</p> <p>D---150 SERIAL 15072436 & ON F150 SERIAL F15000779 & ON A150 SERIAL A1500257 & ON FA150 SERIAL FA1500162 & ON</p> <p>E---150 SERIAL 15071129 THRU 15074661 A150 SERIAL A1500001 THRU A1500415 A150 SERIAL A1500001 THRU A1500415 FA150 SERIAL FA1500001 THRU FA1500211</p> <p>F---150 SERIAL 15074662 & ON A150 SERIAL A1500416 & ON A150 SERIAL A1500416 & ON FA150 SERIAL FA1500212 & ON</p>				

This page intentionally left blank.

Empennage



CODE D

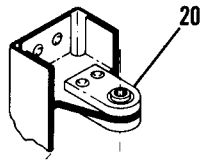
CODE C

150 SERIAL 15071129 THRU 15075781
F150 SERIAL F15000530 THRU F15001143
A150 SERIAL A1500001 THRU A1500523
FA150 SERIAL FA1500001 THRU FA1500261

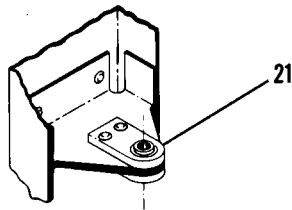
Figure 21. Fin Installation

FIGURE AND INDEX NO.	PART NUMBER	DESCRIPTION	UNITS PER ASSY	USABLE ON CODE
21 -	0431004-2 0431004-39	FIN INSTALLATION ----- FIN ASSEMBLY ----- FIN ASSEMBLY AEROBAT ----- ATTACHING PARTS	NP 1 1	E A B
- 1	AN4-4A	BOLT -----	2	
- 1A	MS21042L4	NUT -----	2	
- 2	AN4-6A	BOLT -----	4	
- 2A	MS21042L4 AN960-416L	NUT ----- WASHER -----	4 8	F F
- 3	0431004-4	SKIN -----	1	A
- 4	0431004-38 0431004-5	SKIN AEROBAT ----- SKIN -----	1 1	B
- 5	0431004-11	RIB -----	1	
- 6	0431004-10	RIB -----	1	
- 7	0431022-2	RIB -----	1	B
- 8		DELETED, NEVER USED -----		
- 9	0431008-1	FITTING-LH -----	1	
-10	0431008-2	FITTING-RH -----	1	
-11	0431004-9	RIB -----	1	
-12	0431004-18	REINFORCEMENT-VERTICAL FIN -----	1	
-13	0431004-19	SPAR ASSEMBLY-VERTICAL FIN -----	1	
-14	0431010-1	HINGE HALF ASSEMBLY-LOWER -----	1	
-15	0431010-7	HINGE HALF ASSEMBLY-MIDDLE -----	1	
-16	0431010-2	HINGE HALF ASSEMBLY-UPPER -----	1	
-17	0431004-20	CHANNEL -----	1	
-18	0431009-2 0431009-3	FITTING WEU 0431009-3 ----- FITTING -----	2 2	
-19	NAS220-11 AN960-8 MS21044N08	ATTACHING PARTS SCREW ----- WASHER ----- NUT -----	10 10 10	B B B
-20	0431004-12	RIB -----	1	
-21	0431004-13	RIB -----	1	
-22	0431004-14	RIB -----	1	
-23	0431004-15	RIB -----	1	
-24	0431004-16	RIB ASSEMBLY -----	1	
-25	NAS680A06	NUTPLATE -----	1	
-26	0431004-35	RIB -----	1	
-27	0431013-3-791	TIP-VERTICAL FIN ----- ATTACHING PARTS	1	
-28	S1021Z6-4 S1862-1	SCREW ----- NUTPLATE -----	6 6	
-29	S1863-2	NUTPLATE -----	10	
-30	0431014-1	DORSAL ASSEMBLY -----	1	C
-31	0431023-1	DORSAL ASSEMBLY ----- ATTACHING PARTS	1	D
-32	S1021Z6-6	SCREW -----	8	
-33	S1611-1	SEAL-20.00 IN LG BULK ITEM REF S1611-1-20.0 -----	1	
-34	0731605-2	FAIRING-DORSAL FIN TIP -----	1	C
-35	0431024-1	FAIRING-DORSAL FIN TIP -----	1	D
<p>A---150 SERIAL 15071129 THRU 15075781 F150 SERIAL F15000530 THRU F15001143</p> <p>B---A150 SERIAL A1500001 THRU A1500523 FA150 SERIAL FA1500001 THRU FA1500261</p> <p>C---150 SERIAL 15071129 THRU 15072003 F150 SERIAL F15000530 THRU F15000658 A150 SERIAL A1500001 THRU A1500226 FA150 SERIAL FA1500001 THRU FA1500081</p> <p>D---150 SERIAL 15072004 THRU 15075781 F150 SERIAL F15000659 THRU F15001143 A150 SERIAL A1500227 THRU A1500523 FA150 SERIAL FA1500082 THRU FA1500261</p> <p>E---150 SERIAL 15071129 THRU 15075781 F150 SERIAL F15000530 THRU F15001143 A150 SERIAL A1500001 THRU A1500523 FA150 SERIAL FA1500001 THRU FA1500261</p> <p>F---150 SERIAL 15075505 THRU 15075579 F150 SERIAL F15001134 THRU F15001143 A150 SERIAL A1500479 THRU A1500480</p>				

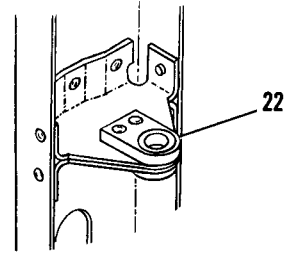
Empennage (Cont)



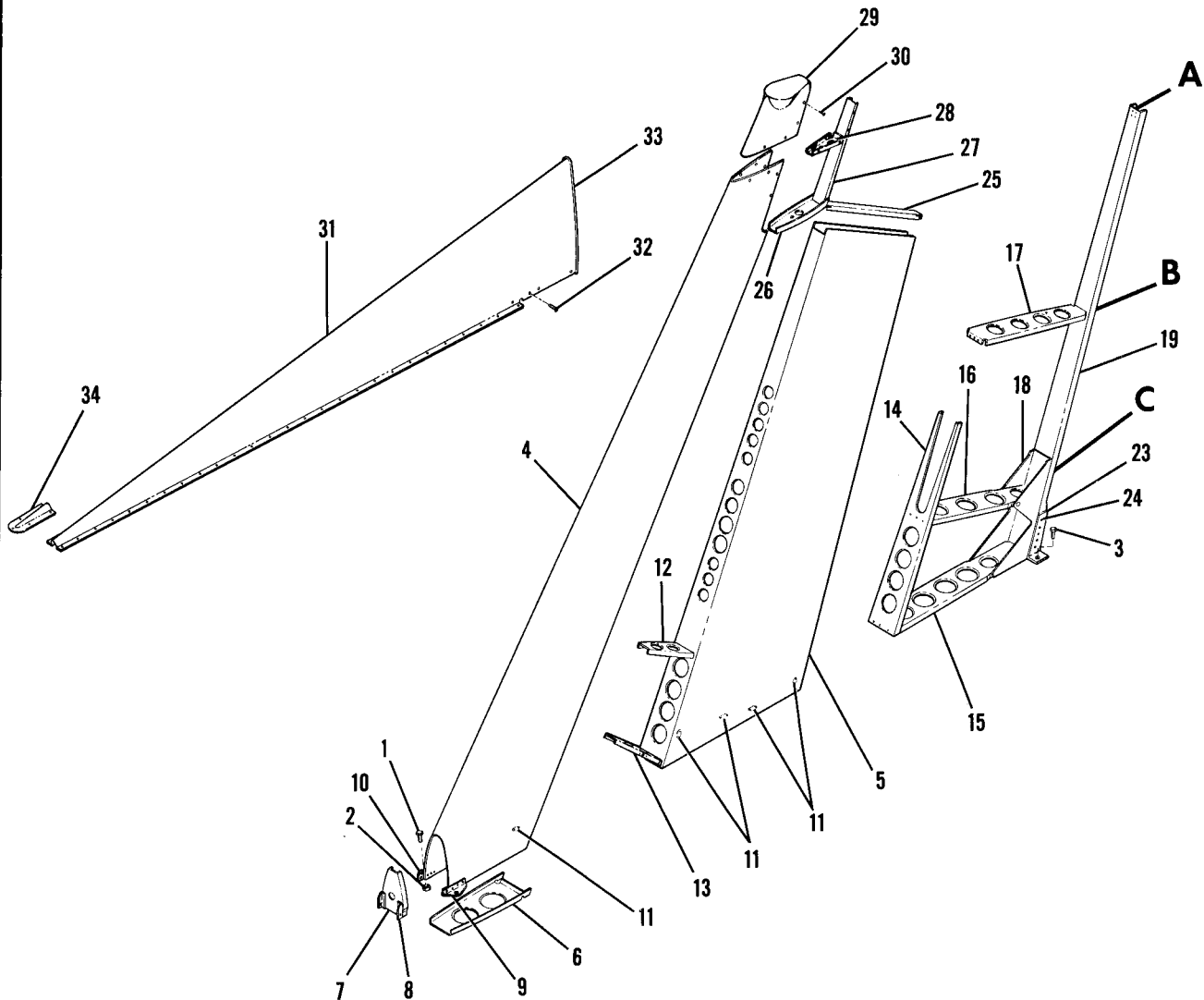
Detail A



Detail B



Detail C

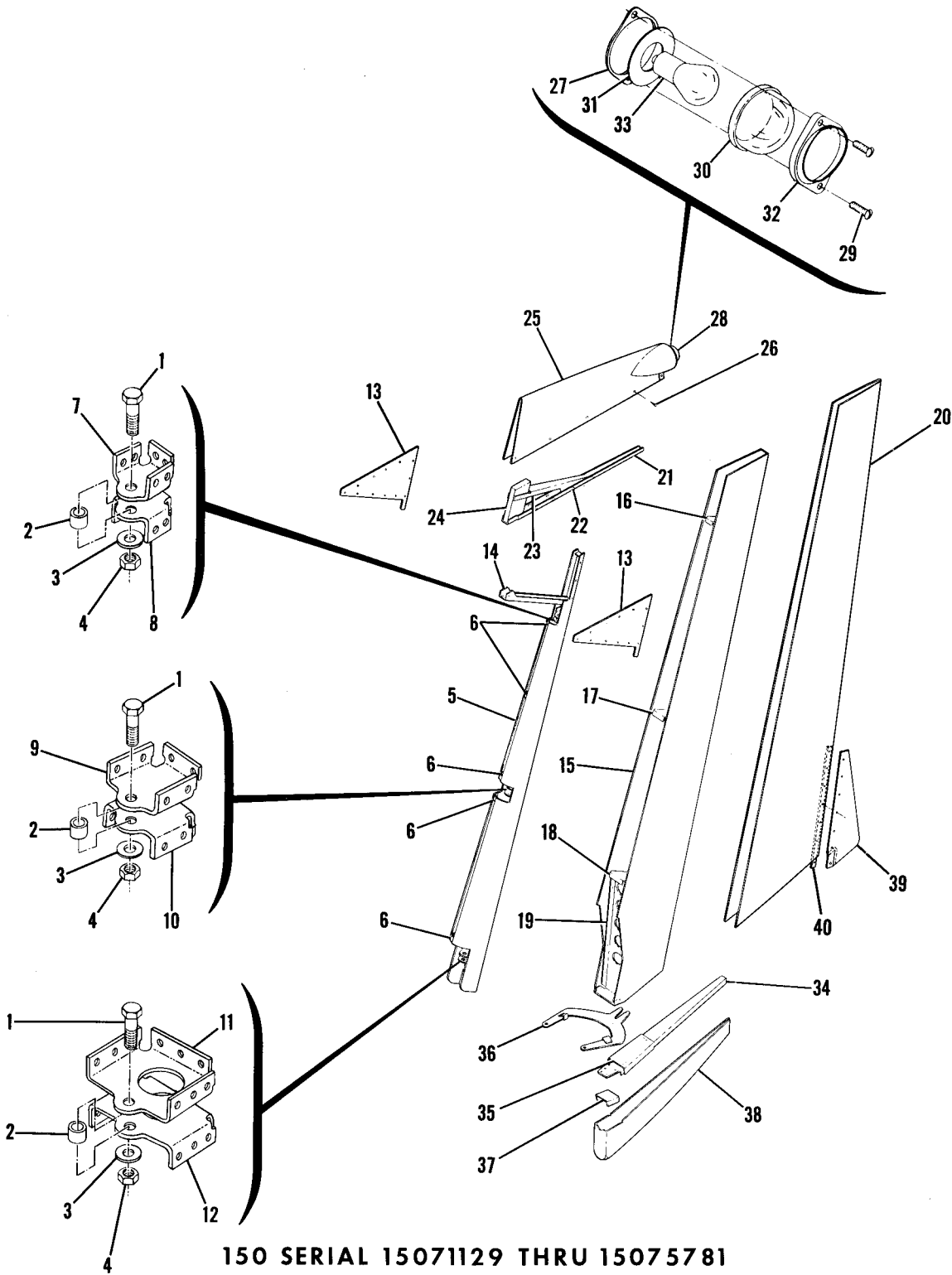


150 SERIAL 15075782 & ON
F150 SERIAL F15001144 & ON
A150 SERIAL A1500524 & ON
FA150 SERIAL FA1500262 & ON

Figure 21A. Fin Installation

FIGURE AND INDEX NO.	PART NUMBER	DESCRIPTION	UNITS PER ASSY	USABLE ON CODE
		1 2 3 4 5 6 7		
21A-		FIN INSTALLATION -----	NP	A
	0431032-1	FIN ASSEMBLY -----	1	B
	0431032-2	FIN ASSEMBLY AEROBAT -----	1	C
		ATTACHING PARTS		
- 1	AN4-4A	BOLT -----	2	
- 2	MS21042L4	NUT -----	2	
- 3	AN4-6A	BOLT -----	4	
	AN960-416L	WASHER -----	8	D
	MS21042L4	NUT -----	4	D
		---*---		
- 4	0431032-3	SKIN -----	1	B
	0431032-4	SKIN AEROBAT -----	1	C
- 5	0431032-5	SKIN -----	1	
- 6	0431004-10	RIB -----	1	
- 7	0431032-13	RIB ASSY -----	1	
- 8	0431032-15	BRACKET-LH -----	1	
	0431032-16	BRACKET-RH -----	1	
- 9	0431034-1	FITTING LH-FIN ATTACH FWD -----	1	
-10	0431034-2	FITTING RH-FIN ATTACH FWD -----	1	
-11	S1863-2A	NUTPLATE -----	10	
-12	0431004-11	RIB -----	1	
-13	0431022-2	RIB -----	1	C
-14	0431004-18	SPAR-REINFORCEMENT -----	1	
-15	0431004-12	RIB -----	1	
-16	0431004-13	RIB -----	1	
-17	0431004-14	RIB -----	1	
-18	0431004-48	CHANNEL -----	1	
-19	0431032-17	SPAR ASSY -----	1	
-20	0431033-1	HINGE HALF ASSY UPPER -----	1	
-21	0431010-7	HINGE HALF ASSY MIDDLE -----	1	
-22	0431010-2	HINGE HALF ASSY LOWER -----	1	
-23	0431009-3	FITTING -----	2	
		ATTACHING PARTS		
-24	NAS220-11	SCREW -----	10	
	AN960-8	WASHER -----	10	
	MS21044N08	NUT -----	10	
		---*---		
-25	0431032-9	RIB -----	1	
-26	0431032-8	RIB -----	1	
-27	0431032-6	SPAR ASSY -----	1	
	S1862-1A	NUTPLATE -----	4	
-28	0431032-10	RIB ASSY -----	1	
	S1862-1A	NUTPLATE -----	4	
	NAS697A06L	NUTPLATE -----	1	
-29	0430011-1	CAP-FIN -----	1	
		ATTACHING PARTS		
-30	S1021Z6-4	SCREW -----	8	
		---*---		
-31	0431023-1	DORSAL ASSEMBLY -----	1	
		ATTACHING PARTS		
-32	S1021Z6-6	SCREW -----	8	
		---*---		
-33	S1611-1	SEAL-20.00 IN LG BKI REF S1611-1-20.0 -----	1	
-34	0431024-1	FAIRING-DORSAL FIN TIP -----	1	
		A---150 SERIAL 15075782 & ON F150 SERIAL F15001144 & ON A150 SERIAL A1500524 & ON FA150 SERIAL FA1500262 & ON		
		B---150 SERIAL 15075782 & ON F150 SERIAL F15001144 & ON		
		C---A150 SERIAL A1500524 & ON FA150 SERIAL FA1500262 & ON		
		D---F150 SERIAL F15001144 THRU F15001203 FA150 SERIAL FA1500262 THRU FA1500291		

Empennage (Cont)

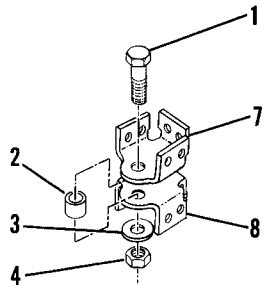


150 SERIAL 15071129 THRU 15075781
F150 SERIAL F15000530 THRU F15001143
A150 SERIAL A1500001 THRU A1500523
FA150 SERIAL FA1500001 THRU FA1500261

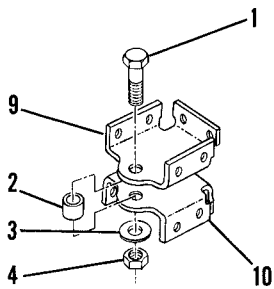
Figure 22. Rudder Assembly

FIGURE AND INDEX NO.	PART NUMBER	DESCRIPTION	UNITS PER ASSY	USABLE ON CODE
22 -	0431004-41	RUDDER ASSEMBLY ----- ATTACHING PARTS -----	1	A
- 1	AN4-10A	BOLT -----	3	
- 2	0532104	BUSHING -----	3	
- 3	AN960-416L	WASHER -----	3	
- 4	MS21042L4	NUT -----	3	
		-----*		
- 5	0431004-6	SKIN -----	1	
- 6	0534126-6	CLIP -----	5	
- 7	0431028-6	BRACKET-UPPER -----	1	
- 8	0431028-5	BRACKET-UPPER -----	1	
- 9	0431028-4	BRACKET-CENTER -----	1	
-10	0431028-3	BRACKET-CENTER -----	1	
-11	0431028-2	BRACKET-LOWER -----	1	
-12	0431028-1	BRACKET-LOWER -----	1	
-13	0431004-17	SKIN -----	2	
-14	0431004-36	RIB -----	1	
-15	0431004-7	SKIN -----	1	
-16	0431004-26	RIB -----	1	
-17	0431004-37	RIB -----	1	
-18	0431004-25	RIB -----	1	
-19	0431004-24	RIB -----	1	
-20	0431004-43	SKIN -----	1	
-21	0431004-27	RIB ASSEMBLY -----	1	
-22	NAS680A06	NUTPLATE -----	1	
-23	0431004-34	RIB -----	1	
-24	0433135-1	WEIGHT ASSY-RUDDER BALANCE -----	1	
-25	0431013-1-791	TIP -----	1	
		ATTACHING PARTS -----		
-26	S102126-4	SCREW -----	8	
	S1862-1	NUTPLATE -----	8	
		-----*		
-27	0433007	MOUNT -----	1	
	AN960PD2	WASHER -----	4	
-28	C622001-0102	LIGHT ASSEMBLY-TAIL -----	1	
		ATTACHING PARTS -----		
-29	AN515-4R6	SCREW -----	2	
		-----*		
-30	A4513-1	LENS-TAIL LIGHT CLEAR GMC -----	1	
-31	A2109-3	GASKET GMC -----	1	
-32	C622001-0104	RETAINER-LENS GMC -----	1	
-33	1777	LAMP-TAIL -----	1	
-34	0431004-23	RIB -----	1	
-35	0431004-22	CHANNEL -----	1	
-36	0431007-4	HORN ASSEMBLY -----	1	
	S1004-15B	BEARING -----	2	
-37	0431004-21	CHANNEL -----	1	
-38	0431005-1	BUTT-RUDDER -----	1	
-39	0433137-1	TAB-RUDDER TRIM -----	1	
-40	0433137-2	SPACER -----	1	
		 A---150 SERIAL 15071129 THRU 15075781 F150 SERIAL F15000530 THRU F15001143 A150 SERIAL A1500001 THRU A1500523 FA150 SERIAL FA1500001 THRU FA1500261		

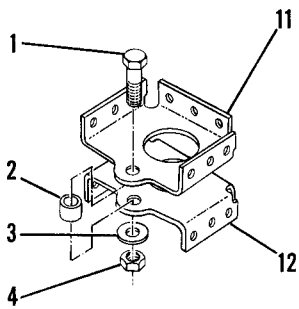
Empennage (Cont)



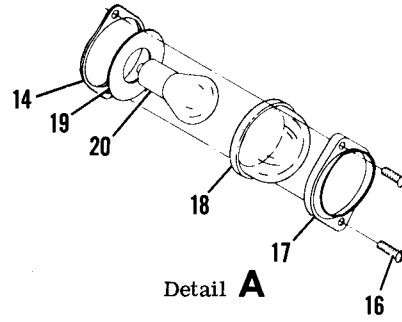
Detail B



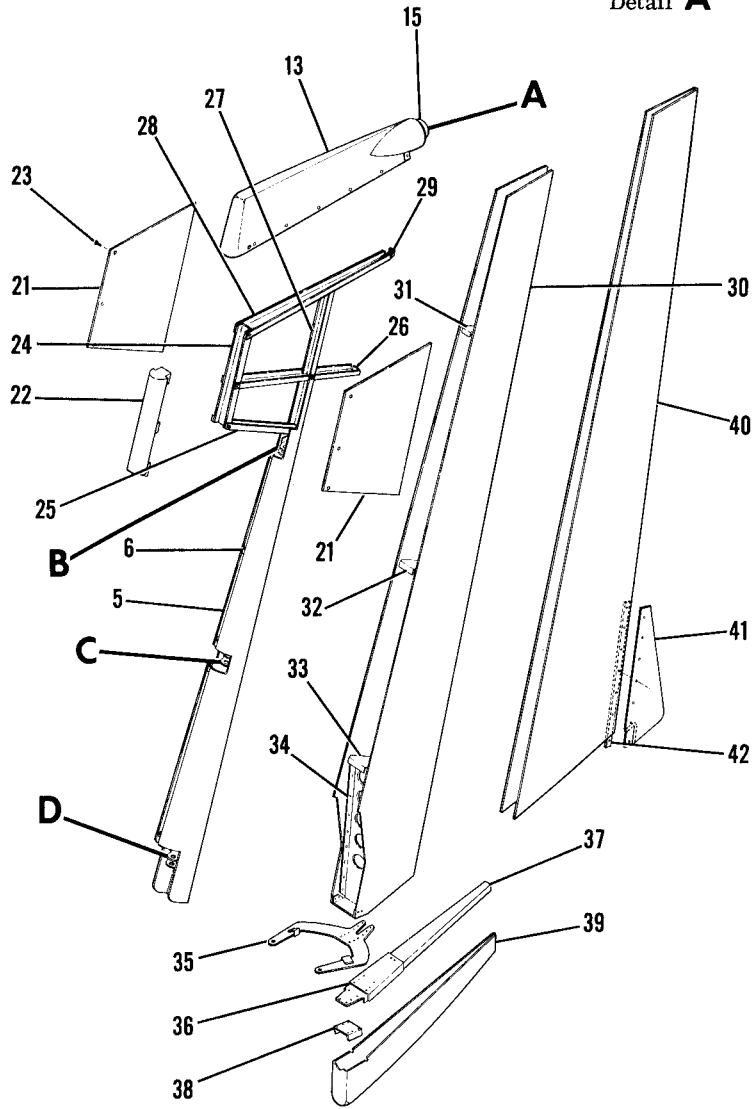
Detail C



Detail D



Detail A



150 SERIAL 15075782 & ON
F150 SERIAL F15001144 & ON
A150 SERIAL A1500524 & ON
FA150 SERIAL FA1500262 & ON

Figure 22A. Rudder Assembly



FIGURE AND INDEX NO.	PART NUMBER	DESCRIPTION	UNITS PER ASSY	USABLE ON CODE							
					1	2	3	4	5	6	7
22A-	0433010-1	RUDDER ASSY ATTACHING PARTS	1	A							
- 1	AN4-10A	BOLT	3								
- 2	0532104	BUSHING	3								
- 3	AN960-416L	WASHER	3								
- 4	MS21042L4	NUT	3								
		-----*									
- 5	0433010-6	SKIN	1								
- 6	0534126-6	CLIP	5								
- 7	0431028-6	BRACKET-UPPER	1								
- 8	0431028-5	BRACKET-UPPER	1								
- 9	0431028-4	BRACKET-MIDDLE	1								
-10	0431028-3	BRACKET-MIDDLE	1								
-11	0431028-2	BRACKET-LOWER	1								
-12	0431028-1	BRACKET-LOWER	1								
-13	0430011-2	CAP ASSY-RUDDER ATTACHING PARTS	1								
	CR763-4	RIVET CY	10								
		-----*									
-14	0433007	MOUNT	1								
	AN960PD2	WASHER	5								
-15	C622001-0102	LIGHT ASSY-TAIL ATTACHING PARTS	1								
-16	AN515-4R6	SCREW	2								
	AN515-8R6	SCREW GROUND WIRE	1								
		-----*									
-17	C622001-0104	RETAINER-LENS	1								
-18	A4513-1	LENS-TAIL LIGHT CLEAR GMC	1								
-19	A2109-3	GASKET GMC	1								
-20	1777	LAMP-TAIL	1								
-21	0433010-5	SKIN	2								
-22	0433139-1	WEIGHT ASSY-RUDDER BALANCE	1								
-23	AN525-8R8	SCREW	6								
-24	0433010-4	RIB	1								
-25	0433010-2	RIB	1								
-26	0433010-10	RIB	1								
-27	0433010-9	SPAR-STUB	1								
-28	0433010-3	RIB ASSY	1								
-29	0433010-12	BRACKET	1								
	NAS1067A08	NUTPLATE	1								
-30	0433010-7	SKIN	1								
-31	0431004-26	RIB	1								
-32	0431004-37	RIB	1								
-33	0431004-25	RIB	1								
-34	0431004-24	RIB	1								
-35	0431007-4	HORN ASSY	1								
	S1004-15B	BEARING	2								
-36	0431004-22	CHANNEL	1								
-37	0431004-23	RIB	1								
-38	0431004-21	CHANNEL	1								
-39	0431005-1	BUTT-RUDDER	1								
-40	0433010-8	SKIN	1								
-41	0433137-1	TAB-RUDDER TRIM	1								
-42	0433137-2	SPACER	1								
		A---150 SERIAL 15075782 & ON F150 SERIAL F15001144 & ON A150 SERIAL A1500524 & ON FA150 SERIAL FA1500262 & ON									

Fuselage

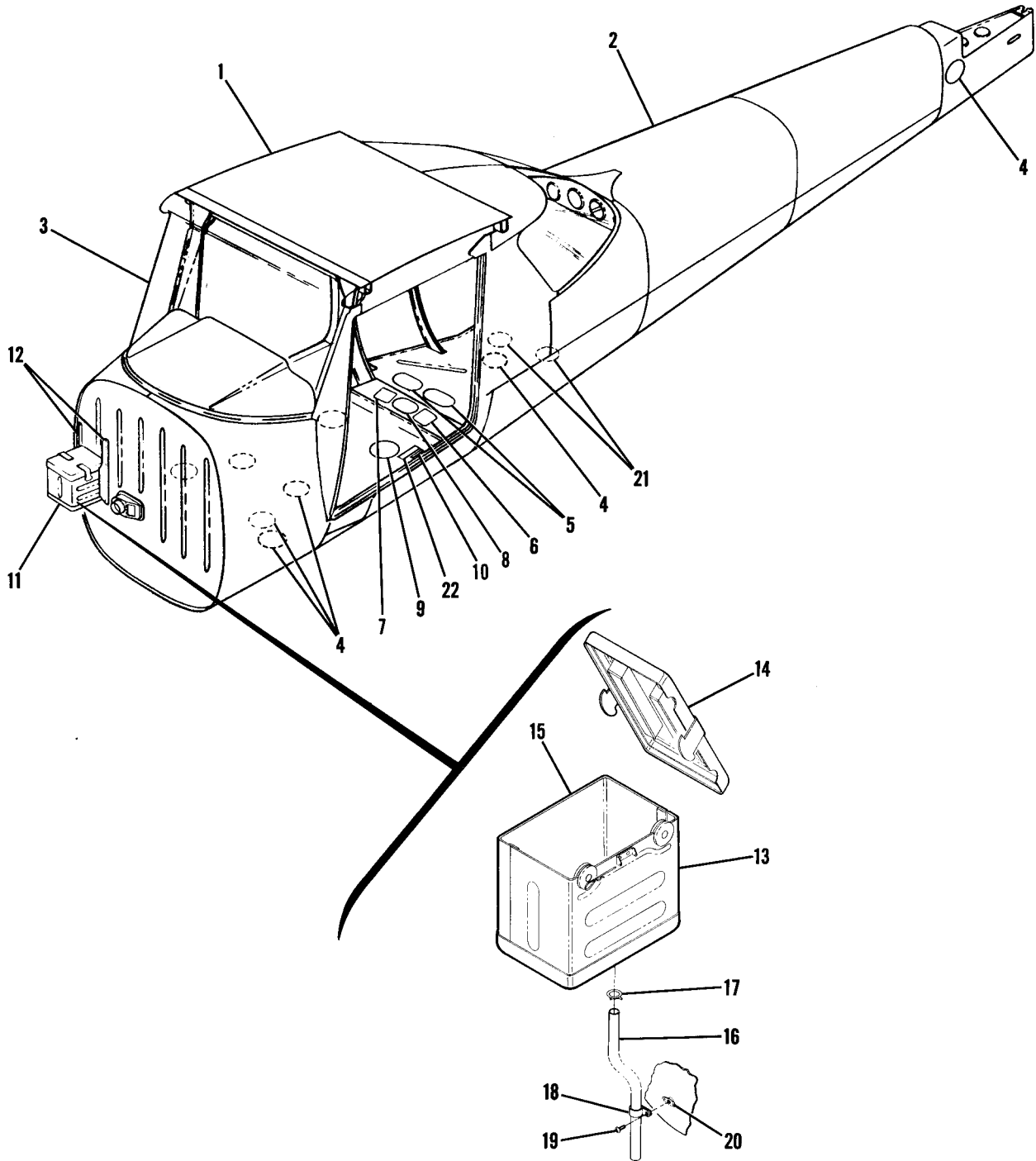
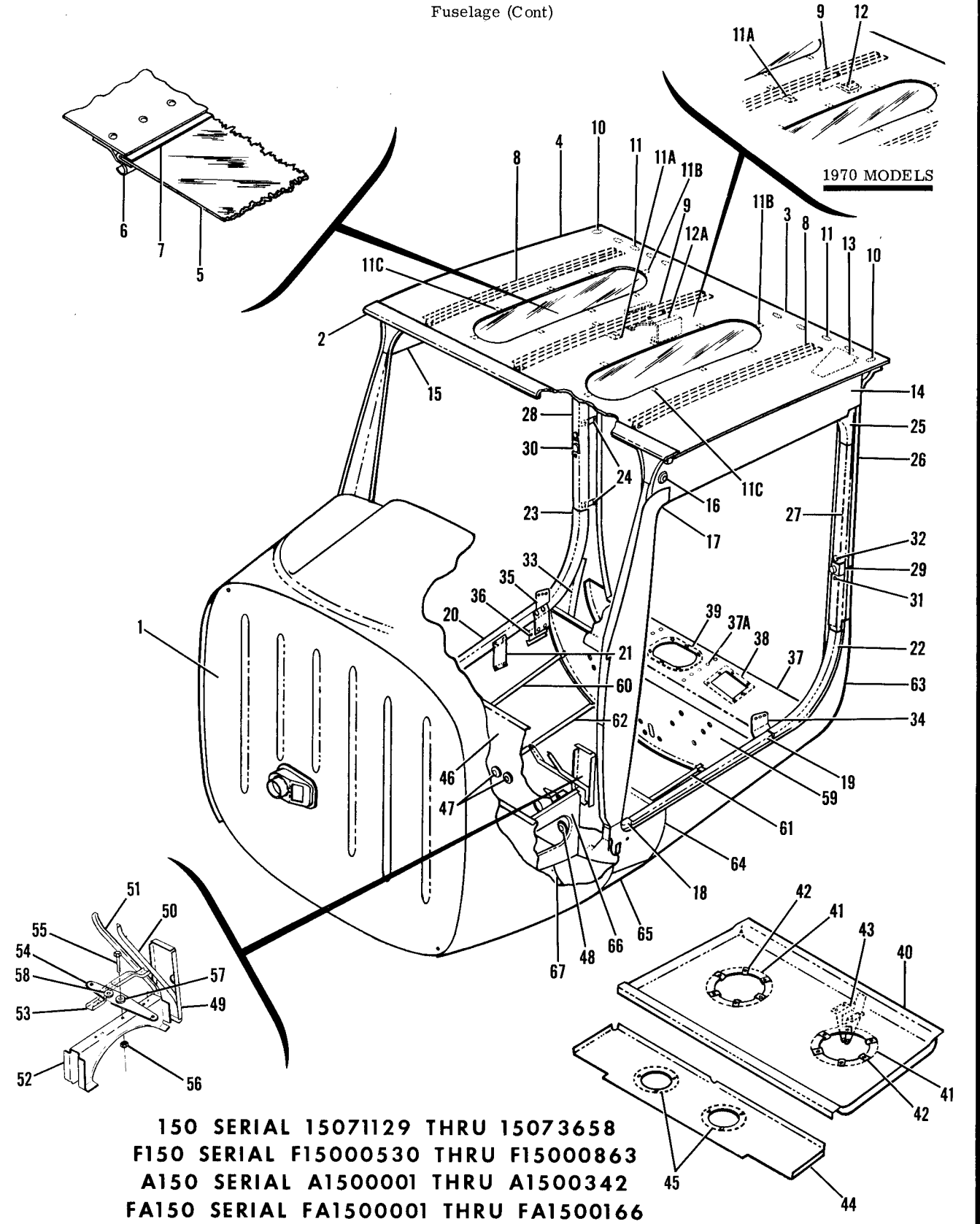


Figure 23. Fuselage Assembly



FIGURE AND INDEX NO.	PART NUMBER	DESCRIPTION							UNITS PER ASSY	USABLE ON CODE
		1	2	3	4	5	6	7		
23 -		FUSELAGE ASSEMBLY -----							NP	
- 1	SEE FIG 24	FRONT & CENTER SECTION-FUSELAGE -----							1	
- 2	SEE FIG 29	TAILCONE ASSEMBLY-FUSELAGE -----							1	
- 3	SEE FIG 31	WINDSHIELD INSTALLATION -----							1	
- 4	S225-1	PLATE-INSPECTION -----							8	
		ATTACHING PARTS -----								
	S1021Z8-8	SCREW -----							3	
		-----*								
- 5	0412061-1	PLATE-INSPECTION -----							2	
		ATTACHING PARTS -----								
	S1021Z8-8	SCREW -----							6	
		-----*								
- 6	0713173-5	PLATE-ACCESS LH -----							1	
- 7	0713173-6	PLATE-ACCESS RH -----							1	
		ATTACHING PARTS -----								
	S1021Z8-8	SCREW -----							6	
		-----*								
- 8	0410229-1	PLATE-INSPECTION -----							1	
		ATTACHING PARTS -----								
	S1021Z8-8	SCREW -----							6	
		-----*								
- 9	0411371	COVER-SEAT PAN INSPECTION -----							2	
		ATTACHING PARTS -----								
	S1021Z8-8	SCREW -----							6	
		-----*								
-10	0713047	PLATE-FINISH & TRIM -----							1	
		ATTACHING PARTS -----								
	AN535-2-3	SCREW -----							2	
		-----*								
-11		BATTERY BOX INSTALLATION -----							NP	
-12	0413401-1	BRACKET -----							2	
		ATTACHING PARTS -----								
	AN520-10R7	SCREW -----							1	
	MS21044N3	NUT -----							1	
		-----*								
	0413402-1	BOX ASSEMBLY-BATTERY -----							1	
-13	0413402-6	BOTTOM ASSEMBLY-BATTERY BOX -----							1	
-14	0413402-2	LID ASSEMBLY-BATTERY BOX -----							1	
		ATTACHING PARTS -----								
-15	AN415-2	PIN -----							2	
		-----*								
	1205024-1	PLACARD -----							1	
-16	S1071-4	DRAIN TUBE-12.0 IN LG BULK ITEM REF S1071-4-12.0 -----							1	
		ATTACHING PARTS -----								
-17	S1494-8	CLAMP -----							1	
-18	MS21919DG8	CLAMP -----							1	
-19	S1021Z8-6	SCREW -----							1	
-20	S1863-3A	NUTPLATE -----							1	
		-----*								
-21	S225-9	PLATE-INSPECTION -----							2	
		ATTACHING PARTS -----								
	S1021Z8-8	SCREW -----							3	
		-----*								
-22		NAMEPLATE-AIRCRAFT IDENTIFICATION -----							NP	

Fuselage (Cont)



150 SERIAL 15071129 THRU 15073658
 F150 SERIAL F15000530 THRU F15000863
 A150 SERIAL A1500001 THRU A1500342
 FA150 SERIAL FA1500001 THRU FA1500166

Figure 24. Fuselage Front & Center Section Assembly



FIGURE AND INDEX NO.	PART NUMBER	DESCRIPTION	UNITS PER ASSY	USABLE ON CODE		
					1	2
24 -		FRONT & CENTER SECTION ASSEMBLY-FUSELAGE	NP			
- 1	SEE FIG 26	FRONT SECTION ASSEMBLY-FUSELAGE	1			
- 2	0413488-1	RETAINER	1			
- 3	0413492-200	CABIN TOP ASSEMBLY-SKYLIGHT	1	F		
		CABIN TOP ASSEMBLY-SKYLIGHT	NP	G		
	0413492-201	CABIN TOP ASSEMBLY	1	B		
- 4	0413492-3	SKIN-CABIN TOP SKYLIGHT	1	A		
	0413492-4	SKIN-CABIN TOP	1	B		
- 5	0411144	WINDOW-SKYLIGHT GREEN	2	F		
	0411144-1	WINDOW-SKYLIGHT BRONZE	2	G		
- 6	0411174	FRAME	2	A		
- 7	S1055-1	CHANNEL-53.25 IN LG BULK ITEM REF S1055-1-53.25	2	A		
- 8	0411175	STIFFENER	2			
- 9	0411175-8	STIFFENER	1			
-10	S1863-3	NUTPLATE	2			
-11	S1862-2	NUTPLATE	8			
-11A	0511484-2	BRACKET-INSTRUMENT LIGHT CONSOLE	1			
-11B	0414014-1	BRACKET-SKYLIGHT	4	A		
-11C	0414014-2	BRACKET-SKYLIGHT	12	A		
-12	0413495-1	BRACKET ASSEMBLY-INSTRUMENT LIGHT	1	D		
-12A	0513426-2	SUPPORT-SPEAKER & INSTRUMENT PANEL LIGHTS	2	E		
-13	1210032-5	DAMPENER ASSEMBLY-ANTENNA VIBRATION LH	1			
	1210032-6	DAMPENER ASSEMBLY-ANTENNA VIBRATION RH	1			
-14	0413327-12	RIB-FUSELAGE CENTER SECTION-LH	1	B		
	0413327-17	RIB ASSEMBLY-FUSELAGE CENTER SECTION LH	1	C		
	MS35489-11	GROMMET	1	C		
-15	0413327-9	RIB-FUSELAGE CENTER SECTION RH	1	B		
	0413327-16	RIB ASSEMBLY-FUSELAGE CENTER SECTION RH	1	C		
	MS35489-11	GROMMET	1	C		
-16	MS35489-11	GROMMET	1	B		
-17	0410204-1	FILLET-DOOR JAMB UPPER FORWARD	2			
-18	0410126-1	FILLET-DOOR JAMB LOWER FORWARD	2			
	0410120-2	FILLER-DOOR JAMB LOWER FORWARD	2			
-19	0410132-1	SILL-DOOR LOWER LH	1			
-20	0410132-2	SILL-DOOR LOWER RH	1			
-21	0410128-2	SUPPORT-DOOR SILL LOWER RH	1			
	0410128-1	SUPPORT-DOOR SILL LOWER LH	1			
-22	0410135-1	FILLET-DOOR SILL LOWER REAR LH	1			
-23	0410135-2	FILLET-DOOR SILL LOWER REAR RH	1			
-24	0410133-2	STRAP-REAR DOOR JAMB STABILIZER	6			
-25	0410131-1	GUSSET-DOOR SILL UPPER REAR	2			
	0410205-1	FILLER-DOOR SILL UPPER REAR	2			
-26	SEE FIG 29	REAR DOORPOST ASSEMBLY	1			
-27	0410137-1	JAMB-DOOR REAR LH	1			
-28	0410137-2	JAMB-DOOR REAR RH	1			
-29	0412066-1	CLUTCH ASSEMBLY-ROTARY DOOR LATCH LH	1			
-30	0412066-2	CLUTCH ASSEMBLY-ROTARY DOOR LATCH RH	1			
		ATTACHING PARTS				
-31	AN525-10R6	SCREW	2			

-32	0412066-6	GUIDE-DOOR LATCH	2			
		ATTACHING PARTS				
	NAS43DD3-9	SPACER	1			
	AN525-10R9	SCREW	1			

-33	0410127-2	STIFFENER-BULKHEAD RH	1			
	0410127-1	STIFFENER-BULKHEAD LH	1			
-34	0410130-1	BRACKET-SEAT BACK LH	1			
-35	0410130-2	BRACKET-SEAT BACK RH	1			
		ATTACHING PARTS				
	AN520-10R6	SCREW	4			
	NAS1068A3	NUTPLATE	2			
	MS21044N3	NUT	2			

-36	0410129-4	BRACKET ASSEMBLY-SEAT BELT RH WEU 0410129-8	1	D		
	0410129-8	BRACKET ASSEMBLY-SEAT BELT RH	1	E		
	0410129-3	BRACKET ASSEMBLY-SEAT BELT LH WEU 0410129-7	1	D		
	0410129-7	BRACKET ASSEMBLY-SEAT BELT LH	1	E		
	NAS1068A4	NUTPLATE	1	D		
	NAS696A4	NUTPLATE	1	E		

CONTINUED ON NEXT PAGE

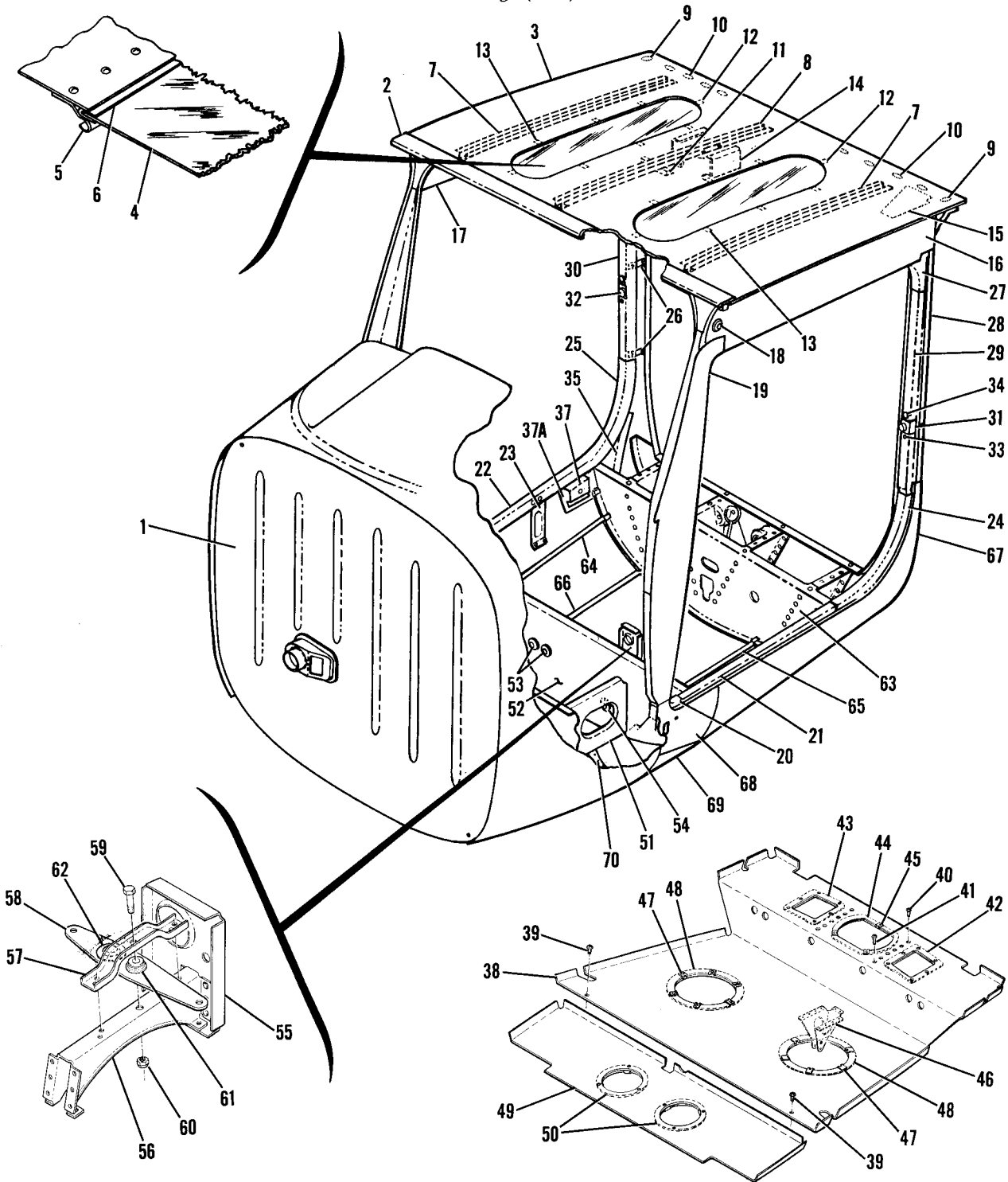
FIGURE AND INDEX NO.	PART NUMBER	DESCRIPTION	1 2 3 4 5 6 7							UNITS PER ASSY	USABLE ON CODE
24 -37	0411955-7 0411955-9	FLOORBOARD ASSEMBLY-LANDING GEAR ----- FLOORBOARD ASSEMBLY-LANDING GEAR -----								1 1	D E
-37A	NAS220-10 AN960-8 MS21044N08	ATTACHING PARTS SCREW ----- WASHER ----- NUT -----								12 12 12	E E E
-38	0713173-1 0713173-2	DOUBLER ASSEMBLY-LH ----- DOUBLER ASSEMBLY-RH -----								1 1	
-39	0410229-2 NAS395-14-3 NAS395-14-3	DOUBLER ----- NUT ----- NUT -----								1 6 3	D E F
-40	0410134-1 0410134-3 0410134-2 0410134-4	PAN ASSEMBLY-SEAT ----- PAN ASSEMBLY-SEAT ----- PAN-SEAT ----- PAN-SEAT -----								1 1 1 1	E F G G
-41	0411370	DOUBLER -----								2	
-42	NAS395-17-3	NUT -----								12	
-43	0411939-1	BRACKET-TAB CONTROL PULLEY -----								1	
-44	0413410-1 0413410-3	FLOORBOARD ASSEMBLY-CENTER ----- FLOORBOARD ASSEMBLY-CENTER -----								1 1	B C
-45	S237-2P NAS395-14-3	DOUBLER ASSEMBLY ----- NUT -----								2 3	
-46	0410203-2 0410203-3	BULKHEAD-CANTED STA 27.92 ----- BULKHEAD-CANTED STA. 27.92 -----								1 1	B C
-47	MS35489-7	GROMMET -----								2	
-48	MS35489-20 0411958-4 0411958-5	GROMMET ----- SUPPORT & BELLCRANK ASSEMBLY ----- SUPPORT & BELLCRANK ASSEMBLY -----								1 1 1	F G
-49	0410202-1	SUPPORT -----								1	
-50	0411569 0410231-1	ANGLE-LH ----- BRACE-LH -----								1 1	F G
-51	0411569-1 0410231-2 0411288	ANGLE-RH ----- BRACE-RH ----- BELLCRANK & BRACKET ASSEMBLY-ELEVATOR -----								1 1 1	F G G
-52	0411289	BRACKET WEU 0411289-1 -----								1	
-53	0411290	BRACKET -----								1	
-54	0411258-1	BELLCRANK ASSEMBLY ----- ATTACHING PARTS								1	
-55	AN4-10A	BOLT -----								1	
-56	MS21042L4	NUT -----								1	
-57	4NCC910P	BEARING -----								1	
-58	MS27261KSP4	BEARING -----								1	
-59	SEE FIG 25 SEE FIG 25A	BULKHEAD ASSEMBLY-MAIN GEAR ----- BULKHEAD ASSEMBLY-MAIN GEAR -----								1 1	D E
-60	0411953-3 0411953-4	STIFFENER-BELLY SKIN OUTBD RH ----- STIFFENER-BELLY SKIN OUTBD LH -----								1 1	
-61	0411953-6	STIFFENER-BELLY SKIN INBD LH -----								1	
-62	0411953-5	STIFFENER-BELLY SKIN INBD RH -----								1	
-63	0411126-4 0411126-5	SKIN-FUSELAGE STA 27.92 TO 56.69 ----- SKIN-FUSELAGE STA 27.92 TO 56.69 -----								1 1	D E
	NAS220-10 AN960-8 MS21044N08	ATTACHING PARTS SCREW ----- WASHER ----- NUT -----								10 10 10	E E E
-64	0411959-5	SKIN-FUSELAGE LH -----								1	
-65	0411959-6 0411127-4 0411127-5	SKIN-FUSELAGE RH ----- SKIN-FUSELAGE ----- SKIN-FUSELAGE -----								1 1 1	B C

CONTINUED ON NEXT PAGE



FIGURE AND INDEX NO.	PART NUMBER	DESCRIPTION	UNITS PER ASSY	USABLE ON CODE
24 -66	0413497-1	BULKHEAD-BELLY LH -----	1	C
	0413497-2	BULKHEAD-BELLY RH -----	1	C
-67	0413499-1	GUSSET-BELLY SKIN LH STA 20.50 -----	1	C
	0413499-2	GUSSET-BELLY SKIN RH STA. 20.50 -----	1	C
	SEE FIG 44	SEAT RAILS -----	AR	
		<p>A---150 SERIAL 15071129 THRU 15073658 F150 SERIAL F15000659 THRU F15000863 A150 SERIAL A1500001 THRU A1500342 FA150 SERIAL FA1500001 THRU FA1500166</p> <p>B---150 SERIAL 15071129 THRU 15073658 F150 SERIAL F15000530 THRU F15000863</p> <p>C---A150 SERIAL A1500001 THRU A1500342 FA150 SERIAL FA1500001 THRU FA1500166</p> <p>D---150 SERIAL 15071129 THRU 15072003 F150 SERIAL F15000530 THRU F15000658 A150 SERIAL A1500001 THRU A1500226 FA150 SERIAL FA1500001 THRU FA1500081</p> <p>E---150 SERIAL 15072004 THRU 15073658 F150 SERIAL F15000659 THRU F15000863 A150 SERIAL A1500227 THRU A1500342 FA150 SERIAL FA1500082 THRU FA1500166</p> <p>F---150 SERIAL 15071129 THRU 15072628 F150 SERIAL F15000530 THRU F15000738 A150 SERIAL A1500001 THRU A1500276 FA150 SERIAL FA1500001 THRU FA1500166</p> <p>G---150 SERIAL 15072629 THRU 15073658 F150 SERIAL F15000739 THRU F15000863 A150 SERIAL A1500277 THRU A1500342</p>		

Fuselage (Cont)



150 SERIAL 15073659 & ON
F150 SERIAL F15000864 & ON
A150 SERIAL A1500343 & ON
FA150 SERIAL FA1500167 & ON

Figure 24A. Fuselage Front & Center Section Assembly

FIGURE AND INDEX NO.	PART NUMBER	DESCRIPTION	UNITS PER ASSY	USABLE ON CODE
24A-		FRONT & CENTER SECTION ASSY-FUSELAGE -----	NP	A
- 1	SEE FIG 26 & 26A	FRONT SECTION ASSY-FUSELAGE -----	1	
- 2	0413488-1	RETAINER -----	1	
		CABIN TOP ASSY-SKYLIGHT -----	NP	
	0413492-201	CABIN TOP ASSY -----	1	B
- 3	0413492-3	SKIN-CABIN TOP SKYLIGHT -----	1	
	0413492-4	SKIN-CABIN TOP -----	1	B
- 4	0411144-1	WINDOW-SKYLIGHT BRONZE -----	2	
- 5	0411174	FRAME -----	2	
- 6	S1055-1	CHANNEL-53.25 IN LG BKI REF S1051-1-53.25 -----	2	
- 7	0411175	STIFFENER -----	2	
- 8	0411175-8	STIFFENER -----	1	
- 9	S1863-3	NUTPLATE -----	2	
-10	S1862-2	NUTPLATE -----	8	
-11	0511484-2	BRACKET-INSTRUMENT LIGHT CONSOLE -----	1	
-12	0414014-1	BRACKET-SKYLIGHT -----	4	
-13	0414014-2	BRACKET-SKYLIGHT -----	12	
-14	0513426-2	SUPPORT-SPEAKER & INSTRUMENT PANEL LIGHTS -----	2	L
	0513426-4	SUPPORT ASSY-SPEAKER & INSTRUMENT PANEL LIGHTS -----	2	M
	NAS696A3	NUTPLATE -----	2	M
-15	1210032-5	DAMPENER ASSY-ANTENNA VIBRATION LH -----	1	
	1210032-6	DAMPENER ASSY-ANTENNA VIBRATION RH -----	1	
-16	0413327-12	RIB-FUSELAGE CENTER SECTION LH -----	1	F
	0413327-23	RIB ASSY-FUSELAGE CENTER SECTION -----	1	G
	0413327-17	RIB ASSY-FUSELAGE CENTER SECTION LH AEROBAT -----	1	H
	0413327-25	RIB ASSY-FUSELAGE CENTER SECTION LH AEROBAT -----	1	J
-17	0413327-9	RIB-FUSELAGE CENTER SECTION RH -----	1	F
	0413327-22	RIB ASSY-FUSELAGE CENTER SECTION RH -----	1	G
	0413327-16	RIB ASSY-FUSELAGE CENTER SECTION RH AEROBAT -----	1	H
	0413327-24	RIB ASSY-FUSELAGE CENTER SECTION RH AEROBAT -----	1	J
-18	MS35489-11	GROMMET -----	1	
-19	0410204-1	FILLET-DOOR JAMB UPPER FORWARD -----	2	
-20	0410126-1	FILLET-DOOR JAMB LOWER FORWARD -----	2	
	0410120-2	FILLER-DOOR JAMB LOWER FORWARD -----	2	
-21	0410132-1	SILL-DOOR LOWER LH -----	1	D
	0410132-3	SILL-DOOR LOWER LH -----	1	E
-22	0410132-2	SILL-DOOR LOWER RH -----	1	D
	0410132-4	SILL-DOOR LOWER RH -----	1	E
-23	0410239-2	SUPPORT-DOOR SILL LOWER RH -----	1	
	0410239-1	SUPPORT-DOOR SILL LOWER LH -----	1	
-24	0410135-1	FILLET-DOOR SILL LOWER REAR LH -----	1	D
	0410135-3	FILLET-DOOR SILL LOWER REAR LH -----	1	E
-25	0410135-2	FILLET-DOOR SILL LOWER REAR RH -----	1	D
	0410135-4	FILLET-DOOR SILL LOWER REAR RH -----	1	E
-26	0410133-2	STRAP-REAR DOOR JAMB -----	6	
	NAS42DD4-5	SPACER BETWEEN STRAP & DOOR JAMB -----	6	K
-27	0410131-1	GUSSET-DOOR SILL UPPER REAR -----	2	
	0410205-1	FILLER-DOOR SILL UPPER REAR -----	2	
-28	SEE FIG 29	REAR DOORPOST ASSY -----	1	
-29	0410137-1	JAMB-DOOR REAR LH -----	1	
-30	0410137-2	JAMB-DOOR REAR RH -----	1	
-31	0412066-1	CLUTCH ASSY-ROTARY DOOR LATCH LH -----	1	
-32	0412066-2	CLUTCH ASSY-ROTARY DOOR LATCH RH -----	1	
		ATTACHING PARTS		
-33	AN525-10R6	SCREW -----	2	
		-----*		
-34	0412066-6	GUIDE-DOOR LATCH -----	2	
		ATTACHING PARTS		
	NAS43DD3-9	SPACER -----	1	
	AN525-10R9	SCREW -----	1	
		-----*		
-35	0410127-2	STIFFENER-BULKHEAD RH -----	1	
	0410127-1	STIFFENER-BULKHEAD LH -----	1	
-36		DELETED, NEVER USED -----		

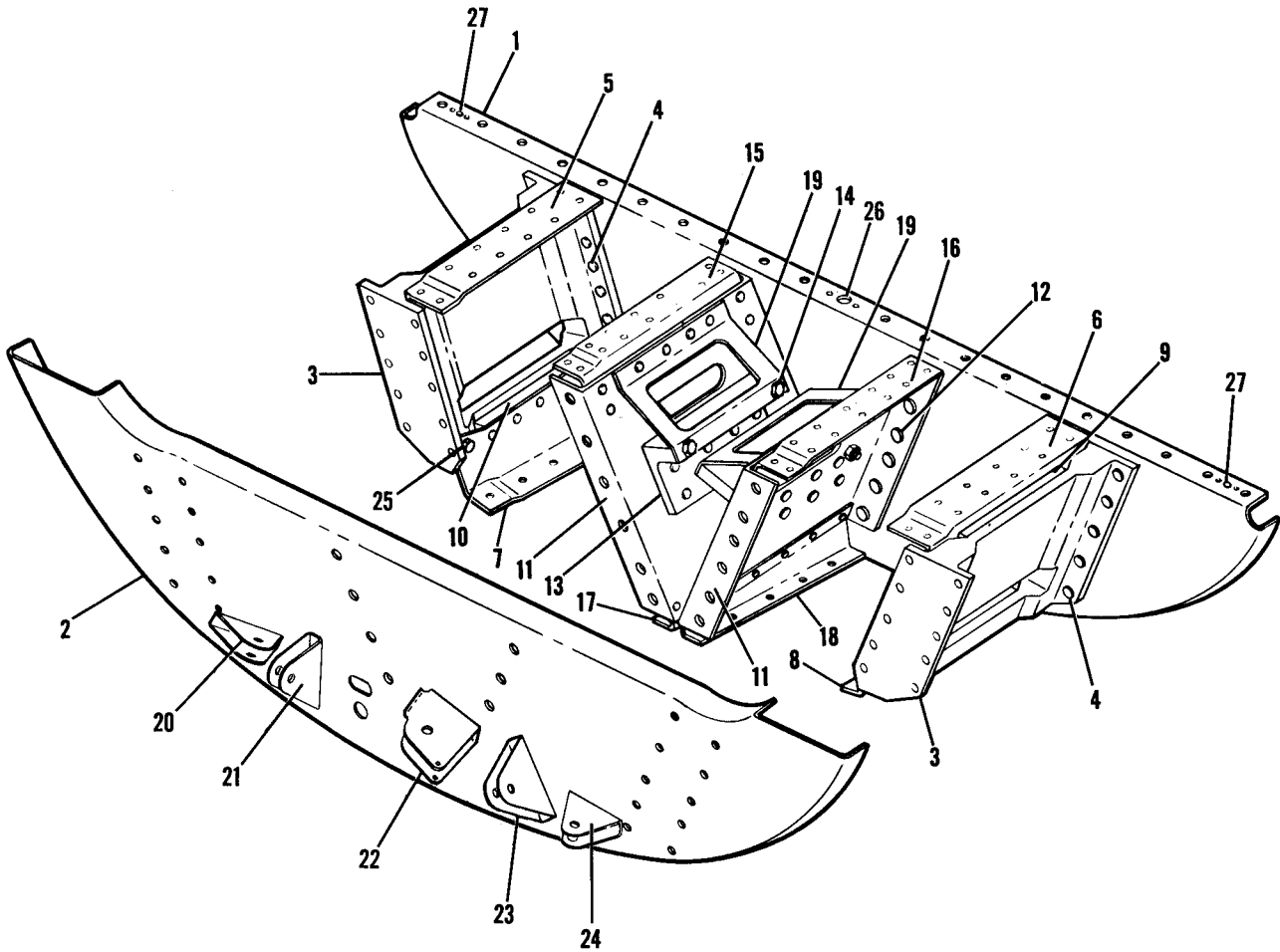
CONTINUED ON NEXT PAGE

FIGURE AND INDEX NO.	PART NUMBER	DESCRIPTION	UNITS PER ASSY	USABLE ON CODE		
					1	2
24A-37	0410129-8	BRACKET ASSY-SEAT BELT RH	1	D		
	0410247-2	BRACKET ASSY-SEAT BELT RH	1	E		
	0410129-7	BRACKET ASSY-SEAT BELT LH	1	D		
	0410247-1	BRACKET ASSY-SEAT BELT LH	1	E		
	ATTACHING PARTS					
	NAS220-6	SCREW	2	E		
	AN960-8	WASHER	2	E		
	MS21044N08	NUT	2	E		
	---*---					
	NAS696A4	NUTPLATE	1	D		
	NAS680A4	NUTPLATE	1	E		
	NAS463WDD416	SHIM	1	E		
-37A	0410246-2	DOUBLER-SEAT BELT BRACKET RH	1	E		
	0410246-1	DOUBLER-SEAT BELT BRACKET LH	1	E		
-38	0410238-1	FLOORBOARD ASSY-STA 27.92 TO 56.69	1	E		
	ATTACHING PARTS					
-39	NAS221-7	SCREW	2			
-40	NAS220-9	SCREW	10			
-41	NAS220-11	SCREW	2			
	AN960-8	WASHER	12			
	MS21044N08	NUT	12			
	---*---					
-42	0713173-1	DOUBLER ASSY-LH	1			
-43	0713173-2	DOUBLER ASSY-RH	1			
-44	0410229-2	DOUBLER	1			
-45	NAS395-14-3	NUT	3			
-46	0410234-1	BRACKET-TAB CONTROL PULLEY	1			
-47	NAS395-17-3	NUT	12			
-48	0411370	DOUBLER	2			
-49	0413410-5	FLOORBOARD ASSY-CENTER	1	B		
	0413410-7	FLOORBOARD ASSY-CENTER	1	C		
-50	S237-2P	DOUBLER ASSY	2			
	NAS395-14-3	NUT	3			
-51	0413497-1	BULKHEAD-BELLY LH	1	C		
	0413497-2	BULKHEAD-BELLY RH	1	C		
-52	0410237-1	BULKHEAD ASSY-CANTED STA 27.92	1			
-53	MS35489-7	GROMMET	2			
-54	MS35489-20	GROMMET	1			
	0411958-6	SUPPORT & BELLCRANK ASSY	1			
-55	0410233-1	SUPPORT	1			
	0411288	BELLCRANK & BRACKET ASSY-ELEVATOR	1			
-56	0411289-1	BRACKET	1			
-57	0411290	BRACKET	1			
-58	0411258-1	BELLCRANK ASSY	1			
	ATTACHING PARTS					
-59	AN4-10A	BOLT	1			
-60	MS21042L4	NUT	1			
	---*---					
-61	4NCC910P	BEARING	1			
-62	MS27261KSP4	BEARING	1			
-63	SEE FIG 25A	BULKHEAD ASSY-MAIN GEAR	1			
-64	0411953-3	STIFFENER-BELLY SKIN OUTBD RH	1			
	0411953-4	STIFFENER-BELLY SKIN OUTBD LH	1			
-65	0411953-6	STIFFENER-BELLY SKIN INBD LH	1			
-66	0411953-5	STIFFENER-BELLY SKIN INBD RH	1			
-67	0411126-5	SKIN-FUSELAGE STA 27.92 TO 56.69	1			
	ATTACHING PARTS					
	AN515-8R8	SCREW	1			
	NAS220-10	SCREW	10			
	AN960-8	WASHER	11			
	MS21044N08	NUT	11			
	---*---					
-68	0411959-5	SKIN-FUSELAGE LH	1			
	0411959-6	SKIN-FUSELAGE RH	1			
-69	0411127-4	SKIN-FUSELAGE	1	B		
	0411127-5	SKIN-FUSELAGE	1	C		

CONTINUED ON NEXT PAGE

FIGURE AND INDEX NO.	PART NUMBER	DESCRIPTION	UNITS PER ASSY	USABLE ON CODE
24A-70	0413499-1 0413499-2	<p style="text-align: center;">1 2 3 4 5 6 7</p> <p>GUSSET-BELLY SKIN LH STA 20.50 ----- GUSSET-BELLY SKIN RH STA 20.50 -----</p> <p>A---150 SERIAL 15073659 & ON F150 SERIAL F15000864 & ON A150 SERIAL A1500343 & ON FA150 SERIAL FA1500167 & ON</p> <p>B---150 SERIAL 15073659 & ON F150 SERIAL F15000864 & ON</p> <p>C---A150 SERIAL A1500343 & ON FA150 SERIAL FA1500167 & ON</p> <p>D---150 SERIAL 15073659 THRU 15075781 F150 SERIAL F15000864 THRU F15001143 A150 SERIAL A1500343 THRU A1500523 FA150 SERIAL FA1500167 THRU FA1500261</p> <p>E---150 SERIAL 15075782 & ON F150 SERIAL F15001144 & ON A150 SERIAL A1500524 & ON FA150 SERIAL FA1500262 & ON</p> <p>F---150 SERIAL 15073659 THRU 15077005 F150 SERIAL F15000864 THRU F15001248</p> <p>G---150 SERIAL 15077006 & ON F150 SERIAL F15001249 & ON</p> <p>H---A150 SERIAL A1500343 THRU A1500609 FA150 SERIAL FA1500167 THRU FA1500281</p> <p>J---A150 SERIAL A1500610 & ON FA150 SERIAL FA1500282 & ON</p> <p>K---150 SERIAL 15077006 & ON F150 SERIAL F15001249 & ON A150 SERIAL A1500610 & ON FA150 SERIAL FA1500282 & ON</p> <p>L---150 SERIAL 15071129 THRU 15078505 F150 SERIAL F15000530 THRU F15001338 A150 SERIAL A1500001 THRU A1500684 FA150 SERIAL FA1500001 THRU FA1500311</p> <p>M---150 SERIAL 15078506 & ON F150 SERIAL F15001339 & ON A150 SERIAL A1500685 & ON FA150 SERIAL FA1500312 & ON</p>	1 1	C C

Fuselage (Cont)



150 SERIAL 15071129 THRU 15072003
F150 SERIAL F15000530 THRU F15000658
A150 SERIAL A1500001 THRU A1500226
FA150 SERIAL FA1500001 THRU FA1500081

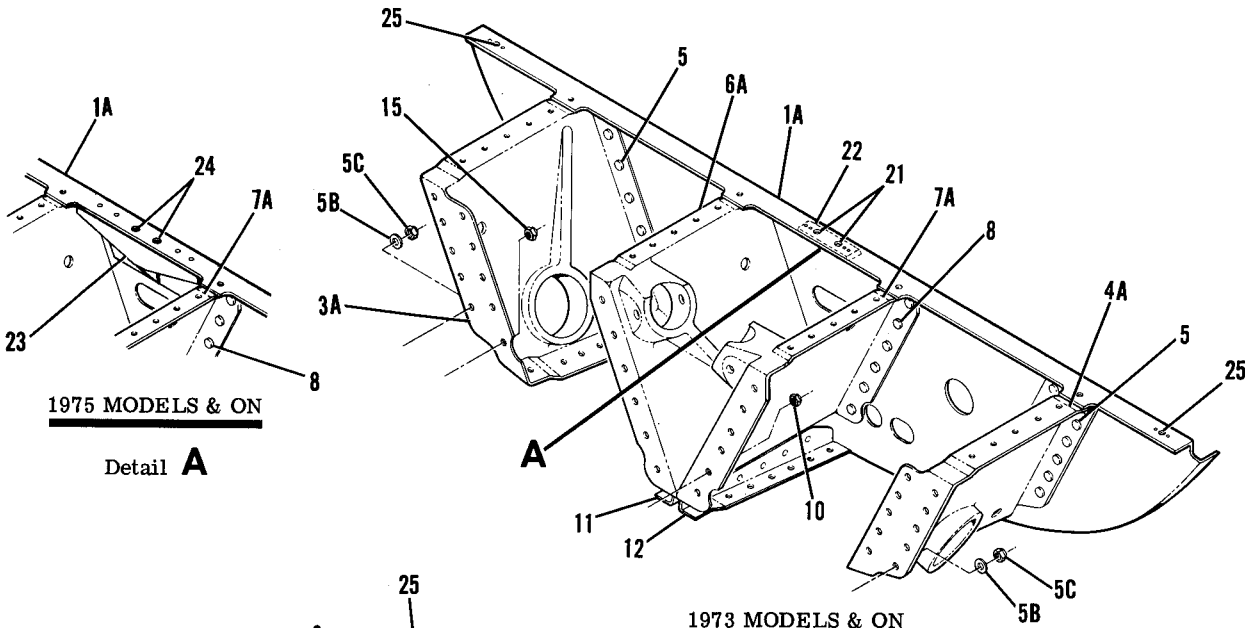
Figure 25. Main Landing Gear Bulkhead Assembly



FIGURE AND INDEX NO.	PART NUMBER	DESCRIPTION	UNITS PER ASSY	USABLE ON CODE		
					1	2
25 -	0411951-7	BULKHEAD ASSEMBLY-MAIN LANDING GEAR -----	1	A		
- 1	0411951-5	BULKHEAD-STA 49.69 -----	1			
- 2	0411951-6	BULKHEAD-LOWER STA 56.69 -----	2			
- 3	0411899-1	STIFFENER ASSEMBLY-LANDING GEAR BULKHEAD -----	2			
		ATTACHING PARTS				
- 4	NAS178-6-6	PIN-HI SHEAR -----	19			
	NAS179-6	COLLAR -----	19			
		---*---				
- 5	0411900-1	ANGLE-UPPER OUTBOARD LH -----	1			
- 6	0411900-2	ANGLE-UPPER OUTBOARD RH -----	1			
- 7	0411903-1	ANGLE-LOWER OUTBOARD LH -----	1			
- 8	0411903-2	ANGLE-LOWER OUTBOARD RH -----	1			
- 9	0411304-1	SPACER-UPPER ANGLE -----	2			
-10	0411305-1	SPACER-LOWER ANGLE -----	2			
-11	0441172-1	BULKHEAD ASSEMBLY-LANDING GEAR INBOARD -----	2			
		ATTACHING PARTS				
-12	NAS178-8-4	PIN-HI SHEAR AFT SIDE RH -----	11			
	NAS178-8-4	PIN-HI SHEAR AFT SIDE LH -----	12			
	NAS178-8-4	PIN-HI SHEAR FORWARD SIDE -----	12			
	NAS179-8	COLLAR-AFT SIDE RH -----	11			
	NAS179-8	COLLAR-AFT SIDE LH -----	12			
	NAS179-8	COLLAR-FORWARD SIDE -----	12			
	AN509-416R13	SCREW -----	1			
	AN960-416	WASHER -----	1			
	MS21042L4	NUT -----	1			
		---*---				
-13	0441171-1	ANGLE -----	1			
		ATTACHING PARTS				
-14	AN4-21A	BOLT -----	2			
	AN960-416	WASHER -----	2			
	MS21042L4	NUT -----	2			
		---*---				
	0441170-1	BULKHEAD-LANDING GEAR INBOARD -----	1			
-15	0411905-1	ANGLE-UPPER INNER LH -----	1			
-16	0411905-2	ANGLE-LOWER INNER RH -----	1			
-17	0411904-1	ANGLE-LOWER INNER LH -----	1			
-18	0411904-2	ANGLE-LOWER INNER RH -----	1			
-19	0441155-1	BRACKET-INBOARD BULKHEAD -----	2			
-20	0411452	BRACKET -----	1			
		ATTACHING PARTS				
	NAS1303-5	BOLT -----	1			
	MS21044N3	NUT -----	1			
		---*---				
-21	0411449	BRACKET -----	1			
		ATTACHING PARTS				
	AN520-10R7	SCREW -----	1			
	MS21044N3	NUT -----	1			
		---*---				
-22	0412048-1	BRACKET -----	1			
		ATTACHING PARTS				
	AN520-10R12	SCREW -----	1			
	MS21044N3	NUT -----	1			
		---*---				
-23	0411671	BRACKET -----	1			
		ATTACHING PARTS				
	AN520-10R7	SCREW -----	2			
	MS21044N3	NUT -----	2			
		---*---				
-24	0411451	BRACKET -----	1			
		ATTACHING PARTS				
	AN520-10R7	SCREW -----	1			
	MS21044N3	NUT -----	1			
		---*---				
-25	AN3-10A	BOLT -----	2			
	AN960-10	WASHER -----	2			
	MS21044N3	NUT -----	2			
-26	NAS698A4	NUTPLATE -----	1			
-27	NAS697A3	NUTPLATE -----	2			

A---150 SERIAL 15071129 THRU 15072003
 F150 SERIAL F15000530 THRU F15000658
 A150 SERIAL A1500001 THRU A1500226
 FA150 SERIAL FA1500001 THRU FA1500081

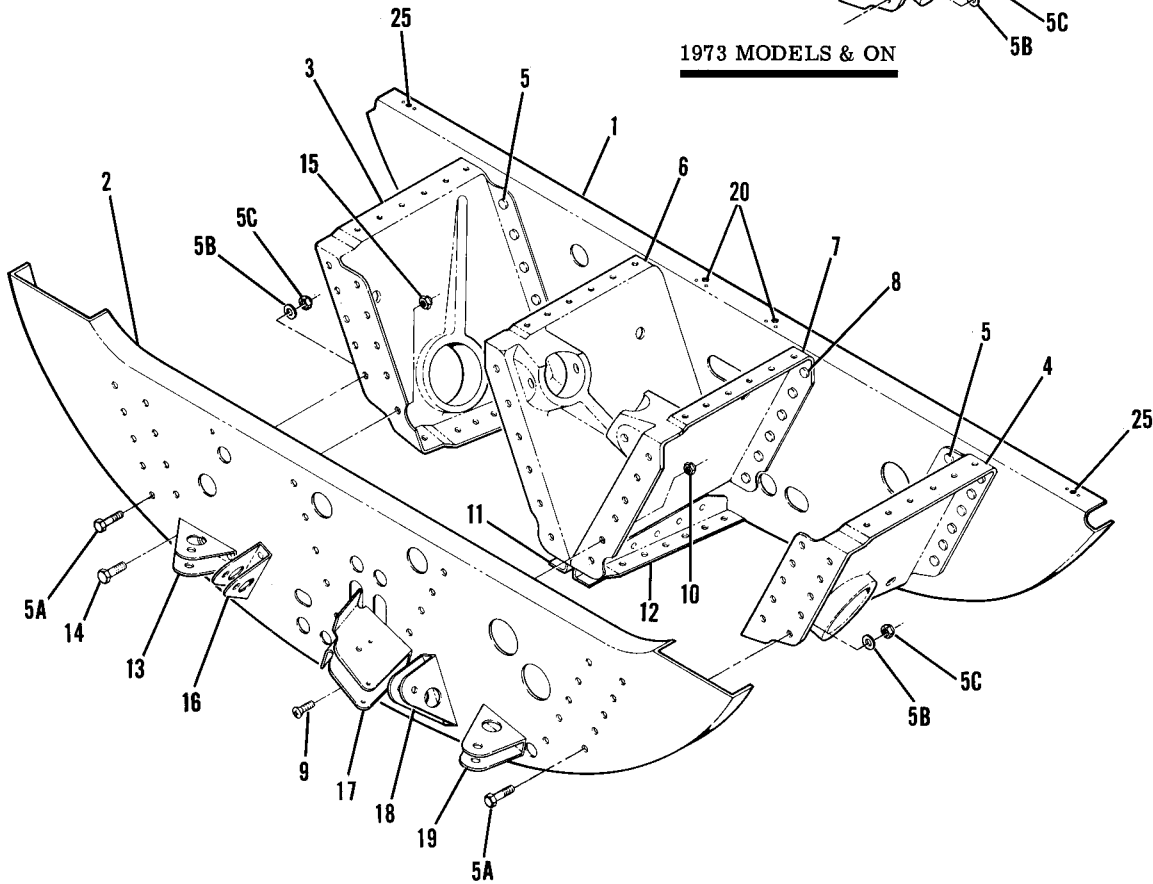
Fuselage (Cont)



1975 MODELS & ON

Detail A

1973 MODELS & ON



150 SERIAL 15072004 & ON
 F150 SERIAL F15000659 & ON
 A150 SERIAL A1500227 & ON
 FA150 SERIAL FA1500082 & ON

Figure 25A. Main Landing Gear Bulkhead Assembly



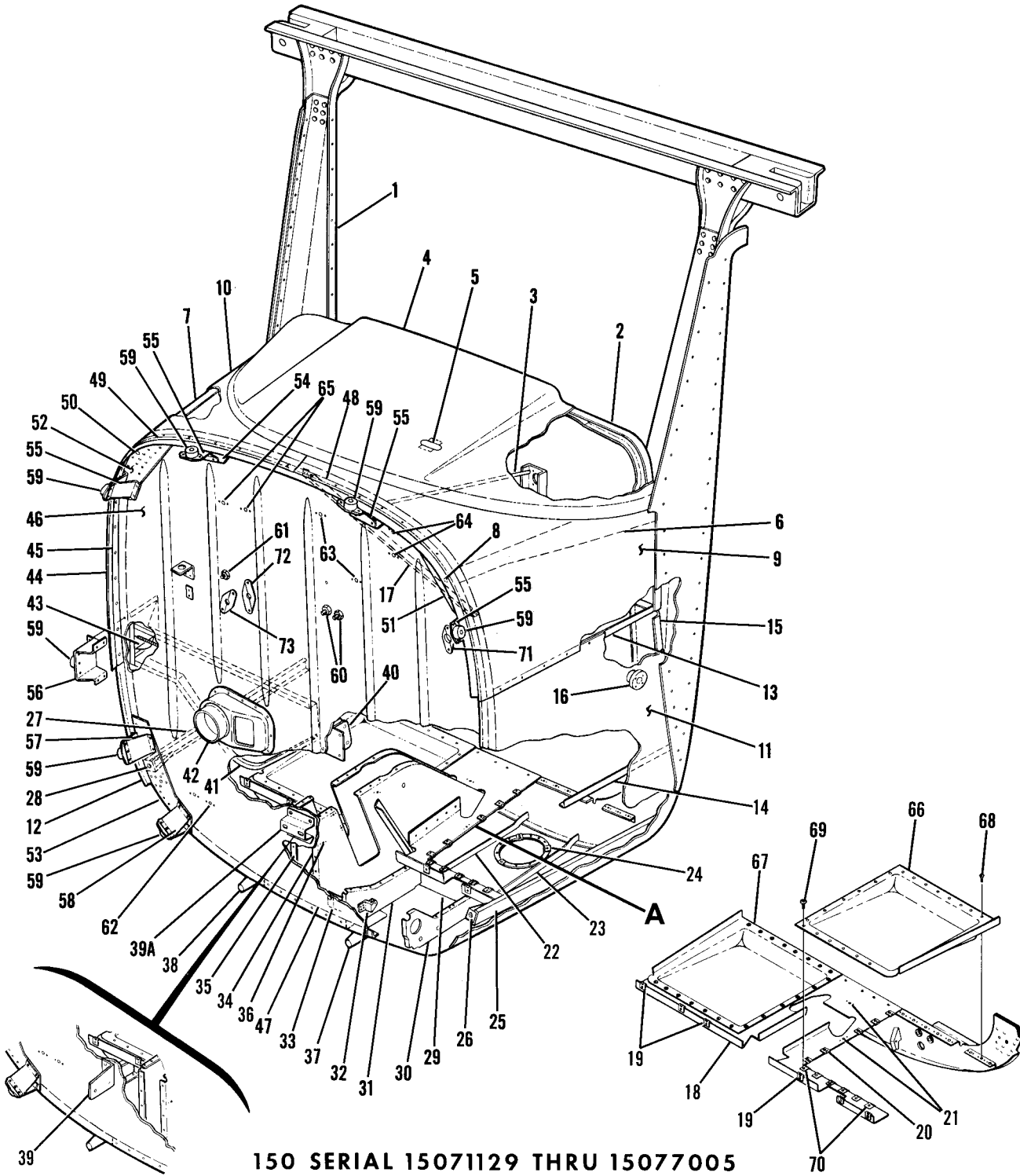
FIGURE AND INDEX NO.	PART NUMBER	DESCRIPTION							UNITS PER ASSY	USABLE ON CODE
		1	2	3	4	5	6	7		
25A-	0412074-1	BULKHEAD ASSEMBLY-MAIN LANDING GEAR -----							1	A
	0412074-2	BULKHEAD ASSEMBLY-MAIN LANDING GEAR -----							1	C
	0412074-3	BULKHEAD ASSEMBLY-MAIN LANDING GEAR -----							1	D
- 1	0411951-9	BULKHEAD-STA 49.69 -----							1	A
- 1A	0411951-10	BULKHEAD-STA 49.69 -----							1	B
- 2	0411951-8	BULKHEAD-LOWER STA 56.69 -----							1	
- 3	0441211-1	SUPPORT-MAIN LANDING GEAR	OUTBD LH	WEU 0441209-1	-----			1	A	
- 3A	0441211-5	SUPPORT-MAIN LANDING GEAR	OUTBD LH	WEU 0441209-1	-----			1	E	
	0441209-1	SUPPORT-MAIN LANDING GEAR	OUTBD LH	-----				1	F	
- 4	0441211-2	SUPPORT-MAIN LANDING GEAR	OUTBD RH	WEU 0441209-2	-----			1	A	
- 4A	0441211-6	SUPPORT-MAIN LANDING GEAR	OUTBD RH	WEU 0441209-2	-----			1	E	
	0441209-2	SUPPORT-MAIN LANDING GEAR	OUTBD RH	-----				1	F	
		ATTACHING PARTS								
- 5	NAS178-6-6	PIN-HI SHEAR -----							20	
	NAS1426-3	PIN-HI SHEAR ALTERNATE -----							20	
	NAS179-6	COLLAR -----							20	
	NAS1080C6	COLLAR ALTERNATE -----							20	
- 5A	NAS464P3-7	BOLT -----							1	
- 5B	AN960-10L	WASHER -----							1	
- 5C	MS21044N3	NUT -----							1	
		---*---								
- 6	0441204-3	SUPPORT-MAIN LANDING GEAR	INBD LH	WEU 0441204-11	-----			1	A	
- 6A	0441204-11	SUPPORT-MAIN LANDING GEAR	INBD LH	-----				1	B	
- 7	0441204-4	SUPPORT-MAIN LANDING GEAR	INBD RH	WEU 0441204-12	-----			1	A	
- 7A	0441204-12	SUPPORT-MAIN LANDING GEAR	INBD RH	-----				1	B	
		ATTACHING PARTS								
- 8	NAS178-8-5	PIN-HI SHEAR AFT SIDE RH -----							5	
	NAS1428-4	PIN-HI SHEAR AFT SIDE RH ALTERNATE -----							5	
	NAS178-8-5	PIN-HI SHEAR AFT SIDE LH -----							6	
	NAS1428-4	PIN-HI SHEAR AFT SIDE LH ALTERNATE -----							6	
	NAS178-8-5	PIN-HI SHEAR FORWARD SIDE -----							6	
	NAS178-8-5	PIN-HI SHEAR FORWARD SIDE ALTERNATE -----							6	
	NAS179-8	COLLAR-AFT SIDE RH -----							5	
	NAS1080C8	COLLAR-AFT SIDE RH ALTERNATE -----							5	
	NAS179-8	COLLAR-AFT SIDE LH -----							6	
	NAS1080C8	COLLAR-AFT SIDE LH ALTERNATE -----							6	
	NAS179-8	COLLAR-FORWARD SIDE -----							6	
	NAS1080C8	COLLAR-FORWARD SIDE ALTERNATE -----							6	
- 9	AN509-416R13	SCREW -----							1	
- 10	MS21042L4	NUT -----							1	
		---*---								
- 11	0441204-7	BRACKET-LH -----							1	
- 12	0441204-8	BRACKET-RH -----							1	
- 13	0411452	BRACKET -----							1	
		ATTACHING PARTS								
- 14	NAS1303-5	BOLT -----							1	
	NAS464P3A5	BOLT ALTERNATE -----							1	
- 15	MS21044N3	NUT -----							1	
		---*---								
- 16	0411449	BRACKET -----							1	
		ATTACHING PARTS								
	AN520-10R7	SCREW -----							1	
	MS21044N3	NUT -----							1	
		---*---								
- 17	0412048-1	BRACKET -----							1	
		ATTACHING PARTS								
	AN520-10R12	SCREW -----							1	
	MS21044N3	NUT -----							1	
		---*---								
- 18	0411671	BRACKET -----							1	
		ATTACHING PARTS								
	AN520-10R7	SCREW -----							2	
	MS21044N3	NUT -----							2	
		---*---								
- 19	0411451	BRACKET -----							1	
		ATTACHING PARTS								
	AN520-10R7	SCREW -----							1	
	MS21044N3	NUT -----							1	
		---*---								

CONTINUED ON NEXT PAGE

FIGURE AND INDEX NO.	PART NUMBER	DESCRIPTION	UNITS PER ASSY	USABLE ON CODE
25A-20	0412076-1	DOUBLER ASSEMBLY-SEAT BELT ATTACH -----	1	A
	NAS696A4	NUTPLATE -----	2	A
-21	NAS696A4	NUTPLATE -----	2	C
-22	0412528-1	SPACER -----	1	C
-23	0414046-1	SUPPORT ASSY-SEAT BELT ATTACH -----	1	D
-24	NAS696A4	NUTPLATE -----	2	D
-25	NAS697A3	NUTPLATE -----	2	
<p>A---150 SERIAL 15072004 THRU 15073658 F150 SERIAL F15000659 THRU F15000863 A150 SERIAL A1500227 THRU A1500342 FA150 SERIAL FA1500082 THRU FA1500166</p> <p>B---150 SERIAL 15073659 & ON F150 SERIAL F15000864 & ON A150 SERIAL A1500343 & ON FA150 SERIAL FA1500167 & ON</p> <p>C---150 SERIAL 15073659 THRU 15075781 F150 SERIAL F15000864 THRU F15001143 A150 SERIAL A1500343 THRU A1500523 FA150 SERIAL FA1500167 THRU FA1500261</p> <p>D---150 SERIAL 15075782 & ON F150 SERIAL F15001144 & ON A150 SERIAL A1500524 & ON FA150 SERIAL FA1500262 & ON</p> <p>E---150 SERIAL 15073659 THRU 15076682 F150 SERIAL F15000864 THRU F15001248 A150 SERIAL A1500343 THRU A1500591 FA150 SERIAL FA1500167 THRU FA1500281</p> <p>F---150 SERIAL 15076683 & ON F150 SERIAL F15001249 & ON A150 SERIAL A1500592 & ON FA150 SERIAL FA1500282 & ON</p>				

This page intentionally left blank.

Fuselage (Cont)



CODE J

150 SERIAL 15071129 THRU 15077005
F150 SERIAL F15000530 THRU F15001248
A150 SERIAL A1500001 THRU A1500609
FA150 SERIAL FA1500001 THRU FA1500281

Detail **A**

Figure 26. Fuselage Front Section Assembly

FIGURE AND INDEX NO.	PART NUMBER	DESCRIPTION	UNITS PER ASSY	USABLE ON CODE
26 -	0413004-14	FRONT SECTION ASSEMBLY-FUSELAGE -----	1	A
	0413004-18	FRONT SECTION ASSEMBLY-FUSELAGE -----	1	C
	0413004-20	FRONT SECTION ASSEMBLY-FUSELAGE -----	1	K
	0413004-21	FRONT SECTION ASSEMBLY-FUSELAGE -----	1	R
	0413004-23	FRONT SECTION ASSEMBLY-FUSELAGE -----	1	V
	0413004-25	FRONT SECTION ASSEMBLY-FUSELAGE -----	1	X
	0413004-7	FRONT SECTION ASSEMBLY-FUSELAGE AEROBAT -----	1	B
	0413004-17	FRONT SECTION ASSEMBLY-FUSELAGE AEROBAT -----	1	D
	0413004-19	FRONT SECTION ASSEMBLY-FUSELAGE AEROBAT -----	1	L
	0413004-22	FRONT SECTION ASSEMBLY-FUSELAGE AEROBAT -----	1	S
	0413004-24	FRONT SECTION ASSEMBLY-FUSELAGE AEROBAT -----	1	W
	0413004-26	FRONT SECTION ASSEMBLY-FUSELAGE AEROBAT -----	1	Y
- 1	SEE FIG 27	BULKHEAD ASSEMBLY-FRONT DOORPOST -----	1	A
	SEE FIG 28	BULKHEAD ASSEMBLY-FRONT DOORPOST AEROBAT -----	1	B
- 2	SEE FIG 47	STATIONARY INSTRUMENT PANEL ASSEMBLY -----	1	P
	SEE FIG 47A	STATIONARY INSTRUMENT PANEL ASSEMBLY -----	1	Q
- 3	0413346-1	STIFFENER-STATIONARY INSTRUMENT PANEL -----	1	M
	0413346-2	STIFFENER-STATIONARY INSTRUMENT PANEL -----	1	N
- 4	0413004-6	SKIN-DECK -----	1	Z
	0413004-27	SKIN-DECK -----	1	AA
- 5	0413452-1	NOZZLE ASSEMBLY-DEFROSTER -----	1	
- 6	0413423-1	STRINGER ASSEMBLY-ENGINE MOUNT LH -----	1	Z
	0413423-5	STRINGER ASSEMBLY-ENGINE MOUNT LH -----	1	AA
- 7	0413423-2	STRINGER ASSEMBLY-ENGINE MOUNT RH -----	1	Z
	0413423-6	STRINGER ASSEMBLY-ENGINE MOUNT RH -----	1	AA
- 8	0411281-4	BRACKET-ENGINE MOUNT LH -----	1	Z
	0411281-7	BRACKET-ENGINE MOUNT LH -----	1	AA
	0411281-5	BRACKET-ENGINE MOUNT RH -----	1	Z
	0411281-8	BRACKET-ENGINE MOUNT RH -----	1	AA
- 9	0413004-13	SKIN-UPPER LH -----	1	Z
-10	0413004-4	SKIN-UPPER RH -----	1	Z
-11	0413004-11	SKIN-LOWER LH -----	1	
-12	0413004-2	SKIN-LOWER RH -----	1	E
	0413004-16	SKIN-LOWER RH -----	1	F
-13	0413305-1	STIFFENER-FRONT SECTION LH -----	1	
	0413305-2	STIFFENER-FRONT SECTION RH -----	1	
-14	0413305-3	STIFFENER-FRONT SECTION LH -----	1	
	0413305-4	STIFFENER-FRONT SECTION RH -----	1	
-15	0413425-1	STIFFENER-FORWARD DOOR POST LH -----	1	
	0413425-2	STIFFENER-FORWARD DOOR POST RH -----	1	
-16	S1776-1	BUTTON-PITOT STATIC LINE -----	1	
-17	0413471-2	STIFFENER-LOWER INSTRUMENT PANEL -----	1	
-18	0413430-1	FLOORBOARD ASSEMBLY-FRONT -----	1	
-19	A1793-623	NUT TIN -----	6	
-20	NAS395-12-3	NUT -----	10	
-21	S1863-3	NUTPLATE -----	3	
-22	0413391-1	STIFFENER-FUSELAGE INBD. STA 8.37 TO 20.5 -----	2	
-23	0413391-2	STIFFENER-FUSELAGE OUTBD STA. 8.37 TO 20.5 -----	2	
-24	S237-2	DOUBLER ASSEMBLY -----	1	
	NAS395-14-3	NUT -----	3	
-25	0411283	BRACKET ASSEMBLY-ENGINE MOUNT LOWER LH -----	1	
-26	0411281-5	BRACKET-ENGINE MOUNT LH -----	1	
-27	0411283-1	BRACKET ASSEMBLY-ENGINE MOUNT LOWER RH -----	1	
-28	0411281-4	BRACKET-ENGINE MOUNT RH -----	1	
-29	0413397-3	BULKHEAD ASSEMBLY-FLOORBOARD STA 8.37 LH -----	1	
	0413397-2	BULKHEAD-FLOORBOARD STA. 8.37 RH -----	1	
-30	0413396-1	BULKHEAD-FRONT FLOORBOARD CUTBD LH -----	1	
	0413396-2	BULKHEAD-FRONT FLOORBOARD CUTBD RH -----	1	
-31	0413395-1	BULKHEAD ASSEMBLY-FRONT FLOORBOARD INBD LH -----	1	
	0413395-2	BULKHEAD-FRONT FLOORBOARD INBD RH -----	1	
-32	0713624-2	ANCHOR-BRAKE CYLINDER LH ONLY -----	1	
-33	0460126-4	BRACKET-TRIM CONTROL -----	1	
	AN520-10R6	ATTACHING PARTS		
	MS20365-1032	SCREW -----	1	
		NUT -----	1	
		---*---		
-34	0413394-1	BULKHEAD ASSEMBLY-CONTROL TEE LH -----	1	
-35	0413394-2	BULKHEAD ASSEMBLY-CONTROL TEE RH -----	1	
-36	NAS680A3	NUTPLATE LH BULKHEAD ONLY -----	5	
	NAS680A3	NUTPLATE RH BULKHEAD ONLY -----	6	
-37	0413304-1	SEAL ASSEMBLY-STEERING LINK LH -----	1	
-38	0413304-2	SEAL ASSEMBLY-STEERING LINK RH -----	1	
-39	0753020-1	ANGLE-FUEL STRAINER -----	1	J

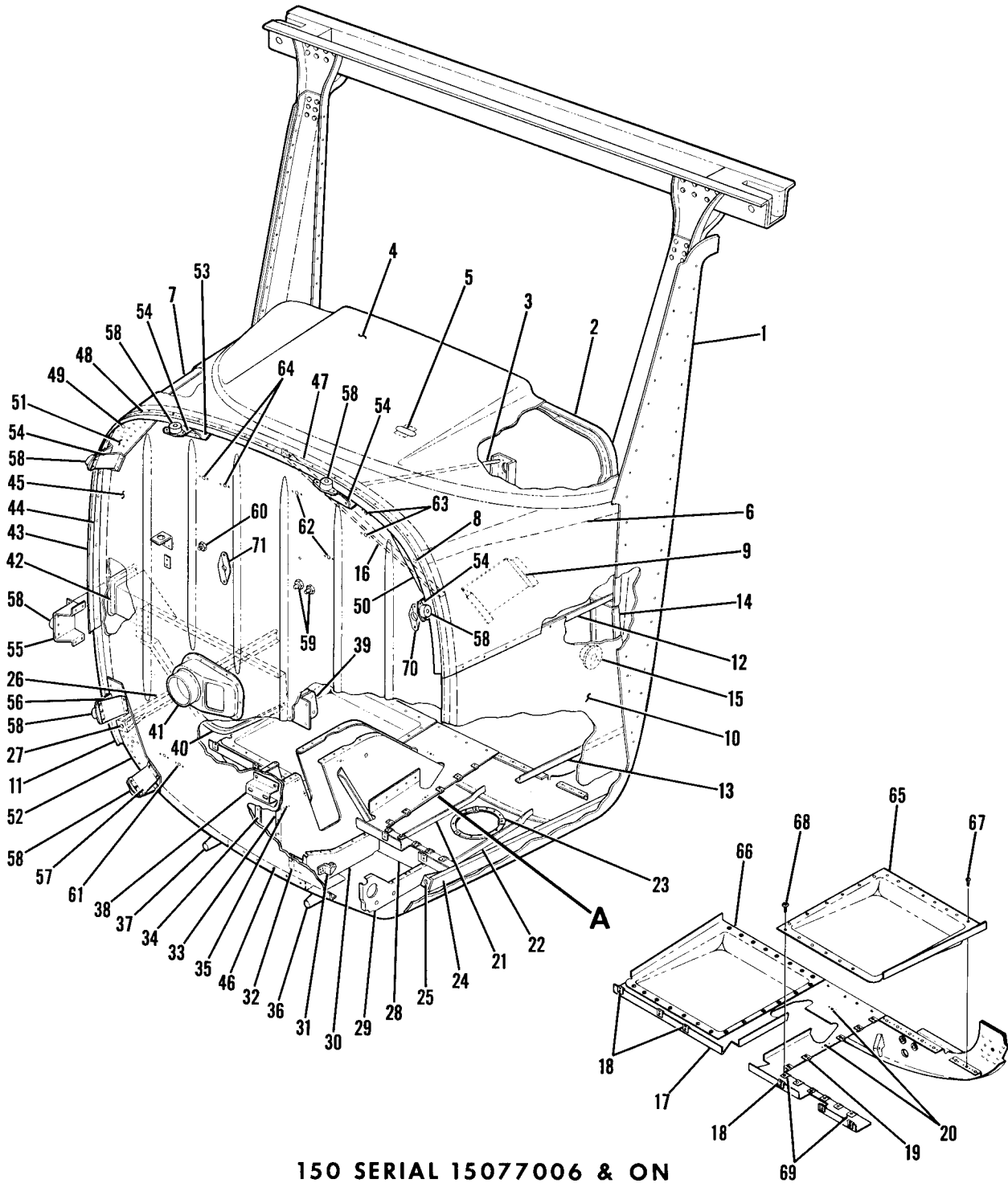
CONTINUED ON NEXT PAGE

FIGURE AND INDEX NO.	PART NUMBER	DESCRIPTION	UNITS PER ASSY	USABLE ON CODE
				1 2 3 4 5 6 7
26 -39A	0460199-1	BRACKET-FUEL STRAINER -----	1	G
	0413511-1	BRACKET-FUEL STRAINER -----	1	H
-40	0460126-1	BRACKET ASSEMBLY-TRIM CONTROL -----	1	
-41	SEE FIG 60	HEATER ASSEMBLY-OUTSIDE AIR -----	1	E
	SEE FIG 60A	DISTRIBUTOR ASSEMBLY-CABIN AIR -----	1	F
-42	SEE FIG 60	VALVE ASSEMBLY-CABIN HEATER -----	1	F
	SEE FIG 60A	VALVE ASSEMBLY-CABIN HEATER -----	1	F
-43	SEE FIG 60	DOOR ASSEMBLY-OUTSIDE AIR -----	1	F
	SEE FIG 60A	INLET ASSEMBLY-OUTSIDE AIR -----	1	F
	SEE FIG 60A	SCREEN, HOSE & DUCT ASSEMBLY-OUTSIDE AIR -----	1	F
-44	0413469-1	GUARD-DECK SKIN -----	1	
-45	0413468-1	STIFFENER-DECK SKIN GUARD -----	4	
	0453001-4	FIREWALL ASSEMBLY WEU 0453001-5 -----	1	E
	0453001-5	FIREWALL ASSEMBLY WEU 0453001-6 -----	1	F
-46	0453114-3	SHEET-FIREWALL WEU 0453114-4 -----	1	F
	0453114-4	SHEET-FIREWALL WEU 0453114-5 -----	1	F
-47	0453115-1	ANGLE -----	1	
-48	0453107-3	ANGLE-LH -----	1	
-49	0453107-2	ANGLE-RH -----	1	
-50	0453110	PLATE-FIREWALL LOCATED ON AFT SIDE OF FIREWALL -----	4	
-51	0453116-5	DOUBLER-UPPER ENGINE MOUNT LH -----	1	
-52	0453116-6	DOUBLER-UPPER ENGINE MOUNT RH -----	1	
-53	0453116-9	DOUBLER-LOWER MOUNT RH -----	1	
	0453116-8	DOUBLER-LOWER MOUNT LH -----	1	
-54	0453116-7	DOUBLER-SHOCK MOUNT -----	3	
-55	0453003-8	SHOCK MOUNT ASSY-COWL -----	4	
-56	0453003-4	SHOCK MOUNT ASSY-COWL -----	1	
-57	0453003-1	SHOCK MOUNT ASSY-COWL -----	3	
-58	0453003-6	SHOCK MOUNT ASSY-COWL -----	2	
-59	S1115-29	SHOCK MOUNT -----	1	
-60	AN832-2D	UNION -----	2	
	AN924-2D	NUT -----	2	
-61	AN833-2D	ELBOW -----	1	E
	1450024-3	UNION WEU S2289-2 -----	1	F
	AN924-2D	NUT -----	1	F
	AN924-3D	NUT -----	1	F
	AN960-516	WASHER -----	2	F
	AN960-616	WASHER -----	2	F
-62	S1863-3A	NUTPLATE -----	11	F
-63	NAS697A4K	NUTPLATE -----	2	
-64	NAS697A08K	NUTPLATE -----	2	
-65	NAS680A3K	NUTPLATE -----	2	
	SEE FIG 23	BATTERY BOX INSTALLATION -----	1	
-66	0413429-1	FEET PAN-FRONT FLOORBOARD LH -----	1	
-67	0413429-2	FEET PAN-FRONT FLOORBOARD RH -----	1	
		ATTACHING PARTS		
-68	AN515-8R8	SCREW -----	8	
-69	S102128-8	SCREW -----	11	
-70	NAS395-17-3	NUTPLATE -----	6	
		-----*		
-71	NAS557-10A	GROMMET-SPLIT PLASTIC -----	1	
	S1095-5	SHIELD HALF-WIRING HARNESS -----	2	
		ATTACHING PARTS		
	S102128-6	SCREW -----	2	
	NAS446-4-3	NUT -----	2	
		-----*		
-72	NAS557-6A	GROMMET-SPLIT PLASTIC -----	1	
	S1095-3	SHIELD HALF-TACHOMETER SHAFT -----	2	
		ATTACHING PARTS		
	S102128-6	SCREW -----	2	
	NAS446-4-3	NUT -----	2	T
	S1860-2A	NUTPLATE -----	2	U
		-----*		
-73	NAS557-3A	GROMMET-SPLIT PLASTIC -----	1	
	S1095-1	SHIELD HALF-OIL TEMP LINE -----	2	
		ATTACHING PARTS		
	S102128-6	SCREW -----	2	
	NAS446-4-3	NUT -----	2	
		-----*		
		A---150 SERIAL 15071129 THRU 15072003 F150 SERIAL F15000530 THRU F15000658 B---A150 SERIAL A1500001 THRU A1500226 FA150 SERIAL FA1500001 THRU FA1500081		
		CONTINUED ON NEXT PAGE		



FIGURE AND INDEX NO.	PART NUMBER	DESCRIPTION							UNITS PER ASSY	USABLE ON CODE			
		1	2	3	4	5	6	7					
26 -		C---	150	SERIAL	15072004	THRU	15072628						
		F150	SERIAL	F15000659	THRU	F15000738							
		D---	A150	SERIAL	A1500227	THRU	A1500276						
		FA150	SERIAL	FA1500082	THRU	FA1500166							
		E---	150	SERIAL	15071129	THRU	15072003						
		F150	SERIAL	F15000530	THRU	F15000658							
		A150	SERIAL	A1500001	THRU	A1500226							
		FA150	SERIAL	FA1500001	THRU	FA1500081							
		F---	150	SERIAL	15072004	THRU	15077005						
		F150	SERIAL	F15000659	THRU	F15001248							
		A150	SERIAL	A1500227	THRU	A1500609							
		FA150	SERIAL	FA1500082	THRU	FA1500281							
		G---	150	SERIAL	15071129	THRU	15071842						
		F150	SERIAL	F15000620	THRU	F15000658							
		F150	SERIAL	F15000530	THRU	F15000658	FLOATPLANE						
		A150	SERIAL	A1500001	THRU	A1500176							
		FA150	SERIAL	FA1500001	THRU	FA1500080							
		H---	150	SERIAL	15071843	THRU	15077005						
		F150	SERIAL	F15000659	THRU	F15001248							
		A150	SERIAL	A1500177	THRU	A1500609							
		FA150	SERIAL	FA1500081	THRU	FA1500281							
		J---	F150	SERIAL	F15000530	THRU	F15000619						
							EXCEPT	FLOATPLANE					
		K---	150	SERIAL	15072629	THRU	15073658						
		F150	SERIAL	F15000739	THRU	F15000863							
		L---	A150	SERIAL	A15000277	THRU	A1500342						
		M---	150	SERIAL	15071129	THRU	15072628						
		F150	SERIAL	F15000530	THRU	F15000738							
		A150	SERIAL	A1500001	THRU	A1500276							
		FA150	SERIAL	FA1500001	THRU	FA1500166							
		N---	150	SERIAL	15072629	THRU	15077005						
		F150	SERIAL	F15000739	THRU	F15001248							
		A150	SERIAL	A1500277	THRU	A1500609							
		FA150	SERIAL	FA1500167	THRU	FA1500281							
		P---	150	SERIAL	15071129	THRU	15073658						
		F150	SERIAL	F15000530	THRU	F15000863							
		A150	SERIAL	A1500001	THRU	A1500342							
		FA150	SERIAL	FA1500001	THRU	FA1500166							
		Q---	150	SERIAL	15073659	THRU	15077005						
		F150	SERIAL	F15000864	THRU	F15001248							
		A150	SERIAL	A1500343	THRU	A1500609							
		FA150	SERIAL	FA1500167	THRU	FA1500281							
		R---	150	SERIAL	15073659	THRU	15074850						
		F150	SERIAL	F15000864	THRU	F15001013							
		S---	A150	SERIAL	A1500343	THRU	A1500429						
		FA150	SERIAL	FA1500167	THRU	FA1500211							
		T---	150	SERIAL	15071129	THRU	15072503						
		F150	SERIAL	F15000530	THRU	F15000738							
		A150	SERIAL	A1500001	THRU	A1500262							
		FA150	SERIAL	FA1500001	THRU	FA1500121							
		U---	150	SERIAL	15072504	THRU	15077005						
		F150	SERIAL	F1500739	THRU	F15001248							
		A150	SERIAL	A1500263	THRU	A1500609							
		FA150	SERIAL	FA1500122	THRU	FA1500281							
		V---	150	SERIAL	15074851	THRU	15075781						
		F150	SERIAL	F15001014	THRU	F15001143							
		W---	A150	SERIAL	A1500430	THRU	A1500523						
		FA150	SERIAL	FA1500212	THRU	FA1500261							
		X---	150	SERIAL	15075782	THRU	15077005						
		F150	SERIAL	F15001144	THRU	F15001248							
		Y---	A150	SERIAL	A1500524	THRU	A1500609						
		FA150	SERIAL	FA1500262	THRU	FA1500281							
		Z---	150	SERIAL	15071129	THRU	15076456						
		F150	SERIAL	F15000530	THRU	F15001248							
		A150	SERIAL	A1500001	THRU	A1500579							
		FA150	SERIAL	FA1500001	THRU	FA1500281							
		AA---	150	SERIAL	15076457	THRU	15077005						
		A150	SERIAL	A1500580	THRU	A1500609							

Fuselage (Cont)



150 SERIAL 15077006 & ON
F150 SERIAL F15001249 & ON
A150 SERIAL A1500610 & ON
FA150 SERIAL FA1500282 & ON

Detail A

Figure 26A. Fuselage Front Section Assembly

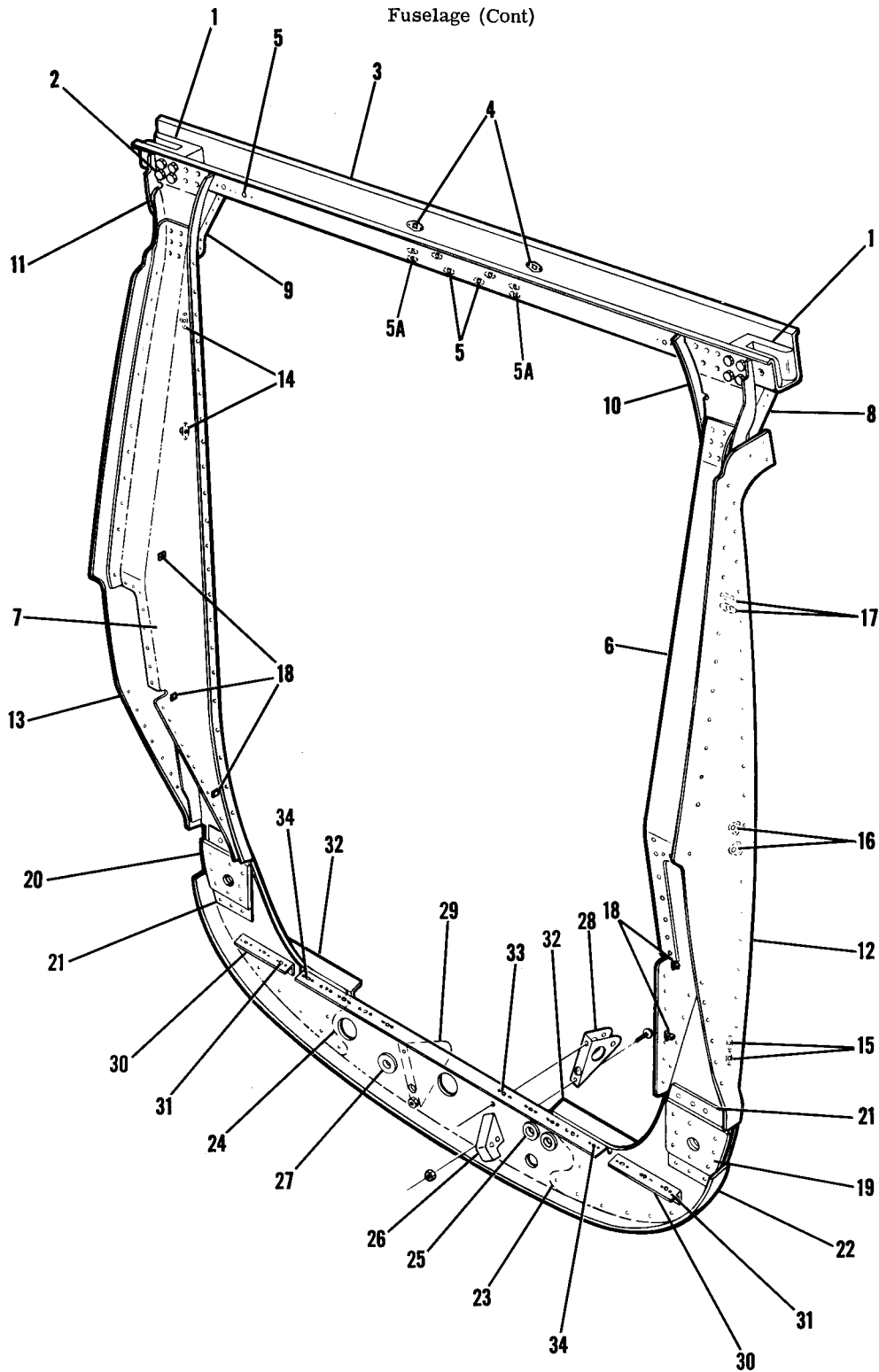


FIGURE AND INDEX NO.	PART NUMBER	DESCRIPTION	UNITS PER ASSY							USABLE ON CODE
			1	2	3	4	5	6	7	
26A-	0413004-28	FRONT SECTION ASSEMBLY-FUSELAGE	1							E
	0413004-30	FRONT SECTION ASSEMBLY-FUSELAGE	1							G
	0413004-29	FRONT SECTION ASSEMBLY-FUSELAGE AEROBAT	1							F
	0413004-31	FRONT SECTION ASSEMBLY-FUSELAGE AEROBAT	1							H
- 1	SEE FIG 27	BULKHEAD ASSY-FRONT DOORPOST	1							A
	SEE FIG 28	BULKHEAD ASSY-FRONT DOORPOST AEROBAT	1							B
- 2	SEE FIG 47B & 47C	STATIONARY INSTRUMENT PANEL ASSY	1							
- 3	0413346-2	STIFFENER-STATIONARY INSTRUMENT PANEL	1							
- 4	0413004-27	SKIN-DECK	1							
- 5	0413452-1	NOZZLE ASSY-DEFROSTER	1							
- 6	0413423-5	STRINGER ASSY-ENGINE MOUNT LH	1							
- 7	0413423-6	STRINGER ASSY-ENGINE MOUNT RH	1							
- 8	0411281-7	BRACKET-ENGINE MOUNT LH	1							
	0411281-8	BRACKET-ENGINE MOUNT RH	1							
- 9	1213675-1	SUPPORT ASSY-HEAT SINK	1							
	NAS682A3	NUTPLATE	4							
-10	0413004-11	SKIN-LOWER LH	1							
-11	0413004-16	SKIN-LOWER RH	1							
-12	0413305-1	STIFFENER-FRONT SECTION LH	1							
	0413305-2	STIFFENER-FRONT SECTION RH	1							
-13	0413305-3	STIFFENER-FRONT SECTION LH	1							
	0413305-4	STIFFENER-FRONT SECTION RH	1							
-14	0413425-3	STIFFENER-FORWARD DOOR POST LH	1							
	0413425-4	STIFFENER-FORWARD DOOR POST RH	1							
-15	S1776-1	BUTTON-PITOT STATIC LINE	1							
-16	0413548-1	STIFFENER-LOWER INSTRUMENT PANEL	1							
-17	0413430-1	FLOORBOARD ASSY-FRONT	1							
-18	A1793-6Z3	NUT TIN	6							
-19	NAS395-12-3	NUT	10							
-20	S1863-3	NUTPLATE	3							
-21	0413391-1	STIFFENER-FUSELAGE INBOARD	2							
-22	0413391-2	STIFFENER-FUSELAGE OUTBOARD	2							
-23	S237-2	DOUBLER ASSY	1							
	NAS395-14-3	NUT	3							
-24	0411283	BRACKET ASSY-ENGINE MOUNT LOWER LH	1							
-25	0411281-5	BRACKET-ENGINE MOUNT LH	1							
-26	0411283-1	BRACKET ASSY-ENGINE MOUNT LOWER RH	1							
-27	0411281-4	BRACKET-ENGINE MOUNT RH	1							
-28	0413397-3	BULKHEAD ASSY-FLOORBOARD STA 8.37 LH	1							
	0413397-2	BULKHEAD-FLOORBOARD STA 8.37 RH	1							
-29	0413396-1	BULKHEAD-FRONT FLOORBOARD OUTBD LH	1							
	0413396-2	BULKHEAD-FRONT FLOORBOARD OUTBD RH	1							
-30	0413395-1	BULKHEAD ASSY-FRONT FLOORBOARD INBD LH	1							
	0413395-2	BULKHEAD ASSY-FRONT FLOORBOARD INBD RH	1							
-31	0713624-2	ANCHOR-BRAKE CYLINDER LH ONLY	1							
-32	0460126-4	BRACKET-TRIM CONTROL	1							
		ATTACHING PARTS								
	AN520-10R6	SCREW	1							
	MS20365-1032	NUT	1							
		-----*								
-33	0413394-1	BULKHEAD ASSY-CONTROL TEE LH	1							
-34	0413394-2	BULKHEAD ASSY-CONTROL TEE RH	1							
-35	NAS680A3	NUTPLATE LH BULKHEAD ONLY	5							
	NAS680A3	NUTPLATE RH BULKHEAD ONLY	6							
-36	0413304-1	SEAL ASSY-STEERING LINK LH	1							
-37	0413304-2	SEAL ASSY-STEERING LINK RH	1							
-38	0413511-1	BRACKET-FUEL STRAINER	1							
-39	0460126-1	BRACKET ASSY-TRIM CONTROL	1							
-40	SEE FIG 60A	DISTRIBUTOR ASSY-CABIN AIR	1							
-41	SEE FIG 60A	VALVE ASSY-CABIN HEATER	1							
-42	SEE FIG 60A	INLET & DUCT ASSY-OUTSIDE AIR	1							
-43	0413469-1	GUARD-DECK SKIN	1							
-44	0413468-1	STIFFENER-DECK SKIN GUARD	4							
	0453001-6	FIREWALL ASSY	1							
-45	0453114-5	SHEET-FIREWALL	1							
-46	0453115-1	ANGLE	1							
-47	0453107-3	ANGLE-LH	1							
-48	0453107-2	ANGLE-RH	1							
-49	0453110	PLATE-FIREWALL LOCATED ON AFT SIDE OF FIREWALL	4							
-50	0453116-5	DOUBLER-UPPER ENGINE MOUNT LH	1							
-51	0453116-6	DOUBLER-UPPER ENGINE MOUNT RH	1							

CONTINUED ON NEXT PAGE

FIGURE AND INDEX NO.	PART NUMBER	DESCRIPTION	UNITS PER ASSY	USABLE ON CODE
26A-52	0453116-9	DOUBLER-LOWER MOUNT RH -----	1	
	0453116-8	DOUBLER-LOWER MOUNT LH -----	1	
-53	0453116-7	DOUBLER-SHOCK MCUNT -----	3	
-54	0453003-8	SHOCK MOUNT ASSY-COWL -----	4	
-55	0453003-4	SHOCK MOUNT ASSY-COWL -----	1	
-56	0453003-1	SHOCK MOUNT ASSY-COWL -----	3	
-57	0453003-6	SHOCK MOUNT ASSY-COWL -----	2	
-58	S1115-29	SHOCK MOUNT -----	1	
-59	AN832-20	UNION -----	2	
	AN924-20	NUT -----	2	
-60	1450024-3	UNION WEU S2289-2 -----	1	J
	S2289-2	UNION -----	1	K
	AN924-3D	NUT -----	1	
	AN960-616	WASHER -----	2	
-61	S1863-3A	NUTPLATE -----	11	
-62	NAS697A4K	NUTPLATE -----	2	
-63	NAS697A08K	NUTPLATE -----	2	
-64	NAS680A3K	NUTPLATE -----	2	
	SEE FIG 23	BATTERY BOX INSTL -----	1	
-65	0413429-1	FEET PAN-FRONT FLGORBOARD LH -----	1	C
	0413429-3	FEET PAN ASSY-FRONT FLGORBOARD LH -----	1	D
	S1863-1	NUTPLATE -----	4	D
-66	0413429-2	FEET PAN-FRONT FLGORBOARD RH -----	1	C
	0413429-4	FEET PAN-ASSY-FRONT FLOORBOARD RH -----	1	D
	S1863-1	NUTPLATE -----	4	D
		ATTACHING PARTS		
-67	AN515-8R8	SCREW -----	8	
-68	S1021Z8-8	SCREW -----	11	
-69	NAS395-17-3	NUTPLATE -----	6	
		-----*		
-70	NAS557-10A	GRGMMET-SPLIT PLASTIC -----	1	
	S1095-5	SHIELD HALF-WIRING HARNESS -----	2	
		ATTACHING PARTS		
	S1021Z8-6	SCREW -----	2	
	NAS446-4-3	NUT -----	2	
		-----*		
-71	NAS557-6A	GRGMMET-SPLIT PLASTIC -----	1	
	S1095-3	SHIELD HALF-TACHOMETER SHAFT -----	2	
		ATTACHING PARTS		
	S1021Z8-6	SCREW -----	2	
	S1860-2A	NUTPLATE -----	2	
		-----*		
		A---150 SERIAL 15077006 & ON F150 SERIAL F15001249 & ON		
		B---A150 SERIAL A1500610 & ON FA150 SERIAL FA1500282 & ON		
		C---FA150 SERIAL FA1500282 THRU FA1500311		
		D---150 SERIAL 15077006 & ON F150 SERIAL F15001249 & ON A150 SERIAL A1500610 & ON FA150 SERIAL FA1500312 & ON		
		E---150 SERIAL 15077006 THRU 15078505 F150 SERIAL F15001249 THRU F15001338		
		F---A150 SERIAL A1500610 THRU A1500684 FA150 SERIAL FA1500282 THRU FA1500311		
		G---150 SERIAL 15078506 & ON F150 SERIAL F15001339 & ON		
		H---A150 SERIAL A1500685 & ON FA150 SERIAL FA1500312 & ON		
		J---150 SERIAL 15077006 THRU 15078040 F150 SERIAL F15001249 THRU F15001338 A150 SERIAL A1500610 THRU A1500658 FA150 SERIAL FA1500282 THRU FA1500311		
		K---150 SERIAL 15078041 & ON F150 SERIAL F15001339 & ON A150 SERIAL A1500659 & ON FA150 SERIAL FA1500312 & ON		

This page intentionally left blank.



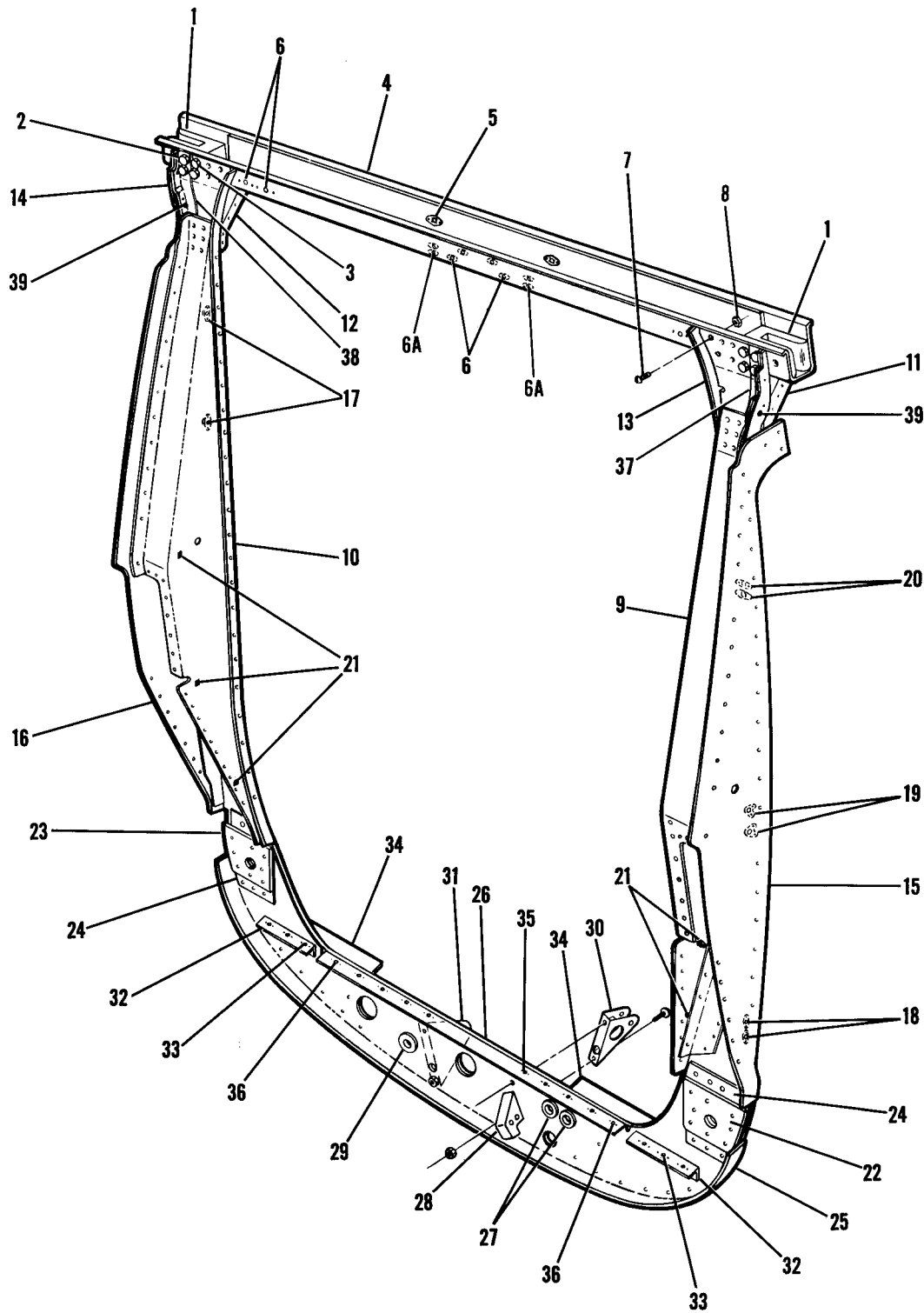
150 SERIAL 15071129 & ON
F150 SERIAL F15000530 & ON

Figure 27. Front Doorpost Bulkhead Assembly

FIGURE AND INDEX NO.	PART NUMBER	DESCRIPTION	UNITS PER ASSY	USABLE ON CODE
27 -	0413424-3	BULKHEAD ASSEMBLY-FRONT DOORPOST STA 20.5	1	A
- 1	0411129	BLOCK-BEARING	2	
		ATTACHING PARTS		
- 2	AN3-21A	BOLT	4	
	AN960-10L	WASHER	4	
	MS21044N3	NUT	4	
		-----*		
- 3	0411131-6	SPAR ASSY-FRONT DOORPOST	1	
- 4	S1863-3A	NUTPLATE	2	
- 5	NAS680A3	NUTPLATE	6	
	NAS697A06L	NUTPLATE	4	
- 6	0413424-203	DOORPOST ASSEMBLY-FRONT LH	1	
- 7	0413424-202	DOORPOST ASSEMBLY-FRONT RH	1	
- 8	0411132	BRACE LH	1	
- 9	0411132-1	BRACE RH	1	
-10	0413325-5	CHANNEL-UPPER SIDE LH	1	
-11	0413325-4	CHANNEL-UPPER SIDE RH	1	
-12	0411868-5	SKIN-CABIN LH	1	
-13	0411868-4	SKIN-CABIN RH	1	
-14	NAS682A06	NUTPLATE	2	
-15	NAS680A3	NUTPLATE	2	
-16	NAS698A3	NUTPLATE	2	
-17	NAS680A06	NUTPLATE	2	
-18	S1992-1	INSERT	14	
-19	0411276	PLATE-LH	1	
-20	0411276-1	PLATE-RH	1	
-21	0411141	DOUBLER	2	
-22	0413386-1	BULKHEAD ASSEMBLY-LOWER SECTION CANTED STA 20.5	1	
-23	0413412-1	DOUBLER-LH	1	
-24	0413412-2	DOUBLER-RH	1	
-25	MS35489-7	GROMMET	2	
-26	0412467	BRACKET-ELEVATOR TAB CONTROL PULLEY	1	
-27	MS35489-14	GROMMET	1	
-28	0411907	BRACKET-PULLEY LH	1	
-29	0411907-1	BRACKET-PULLEY RH	1	
		ATTACHING PARTS		
	AN520-10R8	SCREW	1	
	MS21044N3	NUT	1	
		-----*		
-30	0413411-3	ANGLE-FLOORBOARD SUPPORT	2	
-31	NAS697A08	NUTPLATE	3	
-32	0413411-1	ANGLE-FLOORBOARD SUPPORT	2	
-33	NAS697A08	NUTPLATE	8	
-34	NAS696A08	NUTPLATE	2	

A---150 SERIAL 15071129 & ON
F150 SERIAL F15000530 & ON

Fuselage (Cont)



A150 SERIAL A1500001 & ON
FA150 SERIAL FA1500001 & ON

Figure 28. Front Doorpost Bulkhead Assembly - Aerobat

FIGURE AND INDEX NO.	PART NUMBER	DESCRIPTION	UNITS PER ASSY	USABLE ON CODE
		1 2 3 4 5 6 7		
28 -	0413424-2	BULKHEAD ASSEMBLY-FRONT DOORPOST STA 20.5 AEROBAT -----	1	A
- 1	0411129	BLOCK-BEARING -----	2	
		ATTACHING PARTS		
- 2	AN3-22A	BOLT -----	2	
- 3	AN3-21A	BOLT -----	2	
	AN960-10L	WASHER -----	4	
	MS21044N3	NUT -----	4	
		-----*		
- 4	0411131-8	SPAR ASSY-FRONT DOORPOST -----	1	
- 5	S1863-3A	NUTPLATE -----	2	
- 6	NAS680A3	NUTPLATE -----	10	
	NAS697A06L	NUTPLATE -----	4	
- 7	NAS221-8	SCREW -----	4	
- 8	22NM02	NUT EN -----	4	
- 9	0413424-205	DOORPOST ASSEMBLY-FRONT LH -----	1	
-10	0413424-204	DOORPOST ASSEMBLY-FRONT RH -----	1	
-11	0411132	BRACE-LH -----	1	
-12	0411132-1	BRACE-RH -----	1	
-13	0413325-7	CHANNEL-UPPER SIDE LH -----	1	
-14	0413325-6	CHANNEL-UPPER SIDE RH -----	1	
-15	0411868-7	SKIN-CABIN LH -----	1	
-16	0411868-6	SKIN-CABIN RH -----	1	
-17	NAS682A06	NUTPLATE -----	2	
-18	NAS680A3	NUTPLATE -----	2	
-19	NAS698A3	NUTPLATE -----	2	
-20	NAS680A06	NUTPLATE -----	2	
-21	S1992-1	INSERT -----	14	
-22	0411276	PLATE-LH -----	1	
-23	0411276-1	PLATE-RH -----	1	
-24	0411141	DOUBLER -----	2	
-25	0413386-3	BULKHEAD ASSEMBLY-LOWER SECTION CANTED STA 20.5 -----	1	
-26	0413498-1	SUPPORT -----	1	
-27	MS35489-65	GROMMET -----	2	
-28	0412467	BRACKET-ELEVATOR TAB CONTROL PULLEY -----	1	
-29	MS35489-72	GROMMET -----	1	
-30	0411907	BRACKET-PULLEY LH -----	1	
-31	0411907-1	BRACKET-PULLEY RH -----	1	
		ATTACHING PARTS		
	AN520-10R10	SCREW -----	1	
	MS21044N3	NUT -----	1	
		-----*		
-32	0413411-5	ANGLE-FLOORBOARD SUPPORT -----	2	
-33	MS21044N08	NUTPLATE -----	3	
-34	0413411-6	ANGLE-FLOORBOARD SUPPORT -----	2	
-35	NAS697A08	NUTPLATE -----	8	
-36	NAS696A08	NUTPLATE -----	2	
-37	0413508-1	REINFORCEMENT-FRONT DOOR POST LH -----	1	
-38	0413508-2	REINFORCEMENT-FRONT DOOR POST RH -----	1	
		ATTACHING PARTS		
-39	AN525-832-8	SCREW -----	1	
	MS21044N08	NUT -----	1	
	AN960-8L	WASHER -----	1	
		-----*		
A---A150 SERIAL A1500001 & ON FA150 SERIAL FA1500001 & ON				

Fuselage (Cont)

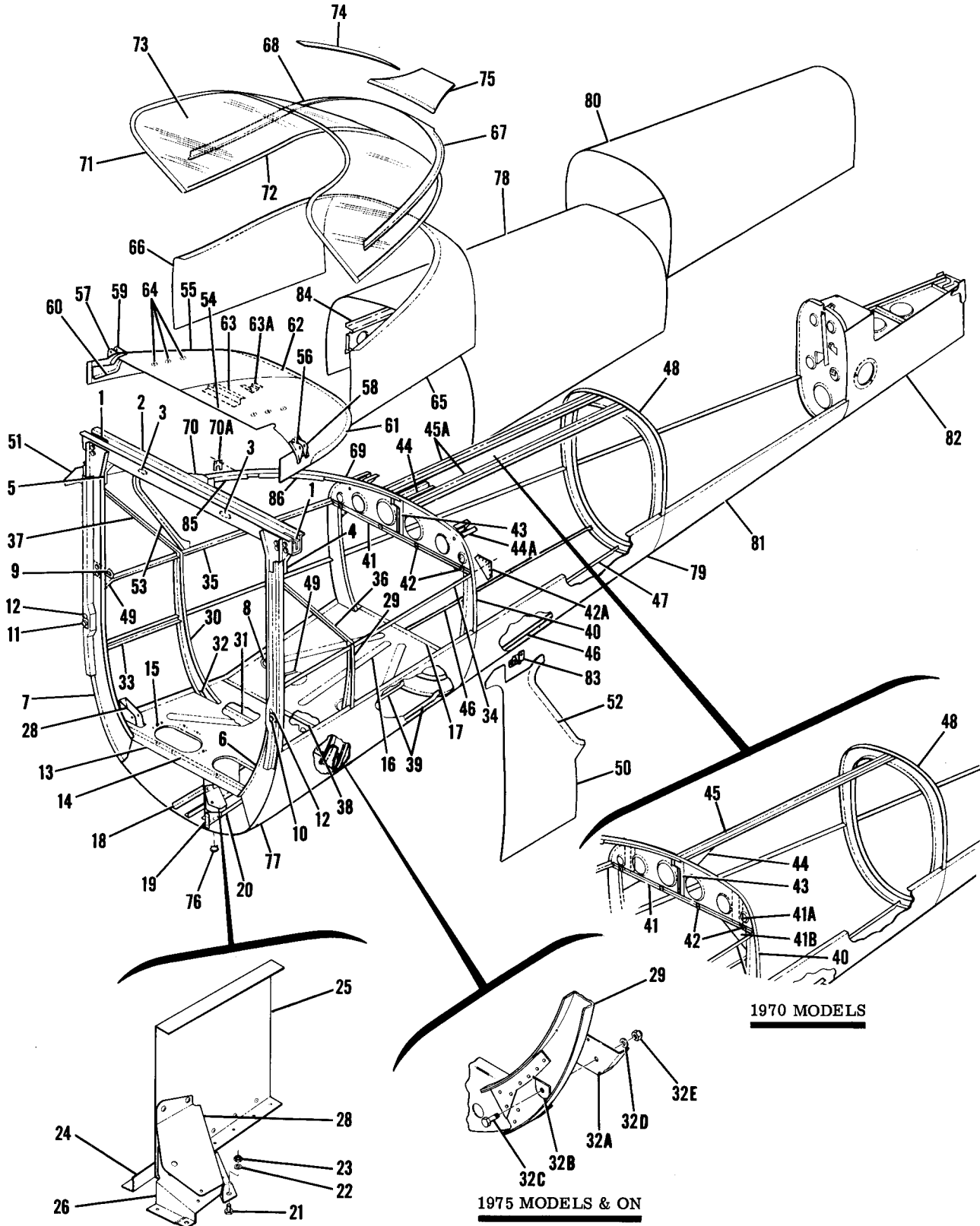


Figure 29. Fuselage Tailcone Assembly



FIGURE AND INDEX NO.	PART NUMBER	DESCRIPTION	UNITS PER ASSY	USABLE ON CODE		
					1 2 3 4 5 6 7	
29 -	0412020-24	TAILCONE ASSEMBLY-FUSELAGE -----	1	C		
	0412020-27	TAILCONE ASSEMBLY-FUSELAGE -----	1	Q		
	0412020-30	TAILCONE ASSEMBLY-FUSELAGE -----	1	V		
	0412020-34	TAILCONE ASSEMBLY-FUSELAGE -----	1	W		
	0412020-38	TAILCONE ASSEMBLY-FUSELAGE -----	1	Z		
	0412020-40	TAILCONE ASSEMBLY-FUSELAGE -----	1	AK		
	0412020-204	TAILCONE ASSEMBLY-FUSELAGE WITH TINTED WINDOW -----	1	C		
	0412020-206	TAILCONE ASSEMBLY-FUSELAGE WITH TINTED WINDOW -----	1	Q		
		TAILCONE ASSEMBLY-FUSELAGE WITH TINTED WINDOW -----	NP	R		
		0412020-22	TAILCONE ASSEMBLY-FUSELAGE AEROBAT -----	1	E	
		0412020-25	TAILCONE ASSEMBLY-FUSELAGE AEROBAT -----	1	F	
		0412020-35	TAILCONE ASSEMBLY-FUSELAGE AEROBAT -----	1	Y	
		0412020-39	TAILCONE ASSEMBLY-FUSELAGE AEROBAT -----	1	AA	
		0412020-41	TAILCONE ASSEMBLY-FUSELAGE AEROBAT -----	1	AL	
		0412020-201	TAILCONE ASSEMBLY-FUSELAGE WITH TINTED WINDOW AEROBAT -----	1	E	
		0412020-205	TAILCONE ASSEMBLY-FUSELAGE WITH TINTED WINDOW AEROBAT -----	1	F	
			TAILCONE ASSEMBLY-FUSELAGE WITH TINTED WINDOW AEROBAT -----	NP	X	
		0411956-7	DOORPOST BULKHEAD ASSY-REAR -----	1	K	
		0411956-10	DOORPOST BULKHEAD ASSY-REAR -----	1	D	
		0412533-1	DOORPOST BULKHEAD ASSY-REAR -----	1	AH	
		0412533-2	DOORPOST BULKHEAD ASSY-REAR AEROBAT -----	1	AJ	
	- 1	0512122	BLOCK-FUSELAGE SPAR -----	2		
			ATTACHING PARTS			
			AN3-20A	BOLT -----	4	
			AN960-10L	WASHER -----	4	
		MS21044N3	NUT -----	4		
			---*---			
		0411108-4	SPAR-REAR DOORPOST -----	1	K	
		0412534-3	SPAR-REAR DOORPOST AEROBAT -----	1	AJ	
		0411108-6	SPAR ASSEMBLY-REAR DOORPOST -----	1	D	
		0412534-1	SPAR ASSEMBLY-REAR DOORPOST -----	1	AK	
- 3	NAS680A4	NUTPLATE NOT INCLUDED WITH 0411108-4 & 0412534-3 -----	2			
- 4	0411525-1	BRACE-LH -----	1			
- 5	0411525-2	BRACE-RH -----	1			
- 6	0411956-9	CHANNEL-BULKHEAD LH -----	1	AE		
	0412533-3	CHANNEL-BULKHEAD LH -----	1	AG		
- 7	0411956-8	CHANNEL-BULKHEAD RH -----	1	AE		
	0412533-4	CHANNEL-BULKHEAD RH -----	1	AG		
- 8	0411934-1	BRACKET ASSEMBLY-SEAT BACK LH -----	1	T		
- 9	0411934-2	BRACKET ASSEMBLY-SEAT BACK RH -----	1	T		
		ATTACHING PARTS				
	AN520-10R8	BOLT -----	4	T		
	MS21044N3	NUT -----	4	T		
		---*---				
-10	0412066-1	CLUTCH ASSEMBLY-ROTARY DOOR LATCH LH -----	1			
-11	0412066-2	CLUTCH ASSEMBLY-ROTARY DOOR LATCH RH -----	1			
		ATTACHING PARTS				
	AN525-10R6	SCREW -----	2			
		---*---				
-12	0412066-6	GUIDE-DOOR LATCH -----	2			
		ATTACHING PARTS				
	NAS430D3-9	SPACER -----	1			
	AN525-10R9	SCREW -----	1			
		---*---				
-13	0412030-3	FLOORBOARD ASSEMBLY-STA 56.69 TO 76.44 -----	1	T		
	0412030-5	FLOORBOARD ASSEMBLY-STA 56.69 TO 76.44 -----	1	U		
-14	0412060-1	ANGLE -----	1			
-15	S1863-3	NUTPLATE -----	12			
-16	0412067-2	FLOORBOARD-STA 76.44 TO 95.0 -----	1			
-17	0412067-3	ANGLE -----	1			
	0412067-4	RETAINER-FAIRLEAD ELEVATOR CABLE -----	1			
-18	0412171-1	ANGLE -----	1			
-19	0412054-1	CLIP-TAILCONE SKIN STIFFENER -----	1			
-20	0412055-1	STIFFENER-TAILCONE SKIN -----	1			
	0412047-2	BRACKET ASSEMBLY-PULLEY WEU 0412047-3 -----	1	L		
	0412047-3	BRACKET ASSEMBLY-PULLEY -----	1	M		
		ATTACHING PARTS				
-21	AN515-8R8	SCREW -----	2			
-22	AN960-8	WASHER -----	2			
-23	MS21044N08	NUT -----	2			
		---*---				
-24	0412171-1	ANGLE -----	1			
-25	0412049-1	BULKHEAD -----	1			

CONTINUED ON NEXT PAGE

FIGURE AND INDEX NO.	PART NUMBER	DESCRIPTION	UNITS PER ASSY	USABLE ON CODE
29 -26	0412050-1	BRACKET-AILERGN CONTROL LOWER WEU 0412050-3	1	L
	0412050-3	BRACKET-AILERGN CONTROL LOWER	1	M
-27	0412050-2	BRACKET-AILERGN CONTROL UPPER	1	
-28	0412043-4	BRACKET ASSEMBLY-PULLEY RH	1	
	0412043-3	BRACKET ASSEMBLY-PULLEY LH	1	
	0412024-2	BULKHEAD ASSEMBLY-STA 70.69 WEU 0412024-3	1	N
	0412024-3	BULKHEAD ASSEMBLY-STA 70.69	1	AB
	0412024-4	BULKHEAD ASSY-STA 70.69	1	AD
-29	0412027-3	BULKHEAD ASSEMBLY-UPPER LH	1	N
	0412027-7	BULKHEAD ASSEMBLY-UPPER LH	1	P
-30	0412027-4	BULKHEAD ASSEMBLY-UPPER RH	1	N
	0412027-8	BULKHEAD ASSEMBLY-UPPER RH	1	P
	NAS680A3K	NUTPLATE	2	
	NAS697A3	NUTPLATE	1	
-31	0411209	BULKHEAD-LOWER	1	
	0412467	BRACKET-ELEVATOR TAB CONTROL PULLEY	1	
	MS35489-14	GROMMET	1	
-32	0413202-30	LUG-SEAT BELT	2	AC
		ATTACHING PARTS		
	AN3-3A	BOLT	2	AC
	MS21044N3	NUT	2	AC
		---*---		
-32A	0412531-1	BRACKET-LH	1	AD
	0412531-2	BRACKET-RH	1	AD
-32B	0412530-1	LUG-SEAT BELT	2	AD
		ATTACHING PARTS		
-32C	AN4-4A	BOLT	1	AD
-32D	AN960-416	WASHER	1	AD
-32E	MS21042L4	NUT	1	AD
		---*---		
-33	0412033-6	ANGLE-RH	1	
	0412033-5	ANGLE-LH	1	
-34	0412033-3	ANGLE-LH	1	
-35	0412033-4	ANGLE-RH	1	
	1089	STUD DIGR	2	
-36	0412028-3	BULKHEAD ASSEMBLY-CANTED STA 70.69	1	
-37	0412028-4	BULKHEAD ASSEMBLY-CANTED STA 70.69	1	
	NAS680A3K	NUTPLATE	1	
-38	0411210-3	BULKHEAD-STA 76.44	1	
-39	0412033-1	STRINGER-FWD	3	
-40	0412025-4	BULKHEAD ASSEMBLY-STA 95.00	1	C
	0412025-5	BULKHEAD ASSEMBLY-STA 95.00 AEROBAT	1	E
	0412025-8	BULKHEAD ASSEMBLY-STA 95.00	1	AF
	0412025-10	BULKHEAD ASSEMBLY-STA 95.00	1	AG
-41	0412025-3	ANGLE	1	J
	0412025-7	ANGLE AEROBAT	1	E
-41A	0414021-1	STIFFENER-LH AEROBAT	1	E
	0414021-2	STIFFENER-RH AEROBAT	1	E
-41B	0414020-1	BRACKET-LH AEROBAT	1	E
	0414020-2	BRACKET-RH AEROBAT	1	E
-42	0412078-2	CLIP	4	
	0412469	STRIP-RUB	1	AE
-42A	0412532-1	STIFFENER-LH	1	AG
	0412532-2	STIFFENER-RH	1	AG
-43	0412058-1	STIFFENER-BULKHEAD	1	
-44	0412057-1	GUSSET-TAILCONE	1	
-44A	0412526-1	BRACKET ASSEMBLY-SHOULDER HARNESS ATTACH LH	1	S
	0412526-2	BRACKET ASSEMBLY-SHOULDER HARNESS ATTACH RH	1	S
-45	0412023-1	STRINGER-TOP CENTER LINE STA 95.00 TO 133.31	1	G
-45A	0412023-1	STRINGER-TOP STA 95.00 TO 133.31	2	H
-46	0412065-3	STRINGER-AFT	2	A
	0412033-9	STRINGER-AFT AEROBAT	2	B
-47	0412033-9	STRINGER-AFT	1	
-48	0412026-1	BULKHEAD ASSEMBLY-STA 133.31	1	G
	0412026-3	BULKHEAD ASSEMBLY-STA 133.31	1	H
	0412648	STRIP-RUB	1	
-49	0412064-1	BRACKET-BULKHEAD	2	
-50	0412020-19	SKIN-FORWARD WINDOW LH	1	
-51	0412020-18	SKIN-FORWARD WINDOW RH	1	
-52	0412039-3	RETAINER-REAR WINDOW LH	1	
-53	0412039-4	RETAINER-REAR WINDOW RH	1	

CONTINUED ON NEXT PAGE

FIGURE AND INDEX NO.	PART NUMBER	DESCRIPTION	UNITS PER ASSY	USABLE ON CODE
		1 2 3 4 5 6 7		
29 -54	0412020-2	SKIN-CABIN TOP LH -----	1	AM
	0412020-42	SKIN-CABIN TOP LH -----	1	AN
-55	0412020-11	SKIN-CABIN TOP RH -----	1	AM
	0412020-43	SKIN-CABIN TOP RH -----	1	AN
-56	0412044-1	BRACKET-PULLEY FWD LH -----	1	
-57	0412044-2	BRACKET-PULLEY FWD RH -----	1	
-58	0412044-3	BRACKET-PULLEY REAR LH -----	1	
-59	0412044-4	BRACKET-PULLEY REAR RH -----	1	
-60	0412052-2	STIFFENER-PULLEY RH -----	1	
	0412052-1	STIFFENER-PULLEY LH -----	1	
-61	0412039-2	RETAINER-WINDOW UPPER INNER LH -----	1	
-62	0412039-5	RETAINER-WINDOW UPPER INNER RH -----	1	
-63	0460215-1	GUIDE-FLAP INDICATOR -----	1	AN
-63A	0460214-4	BRACKET ASSY-FLAP INDICATOR -----	1	AN
	NAS680A3	NUTPLATE -----	1	AN
-64	S1863-3	NUTPLATE -----	6	
-65	0412020-5	SKIN-LOWER WINDOW LH -----	1	
-66	0412020-6	SKIN-LOWER WINDOW RH -----	1	
-67	0412039-1	RETAINER-WINDOW LOWER OUTER LH -----	1	
-68	0412039-6	RETAINER-WINDOW LOWER OUTER RH -----	1	
-69	0412040-2	CHANNEL-REAR WINDOW -----	1	
-70	0412037-1	CLIP -----	1	
	0412097-1	SUPPRT-FAIRLEAD AILERON CARRY THRU -----	1	
-70A	0412535-1	BRACKET-FAP INDICATOR -----	1	AN
-71	S1389-5	PAD-FELT 55.50 IN LG BULK ITEM REF S1389-5-55.50 -----	1	
-72	S1389-2	PAD-FELT 61.50 IN LG BULK ITEM REF S1389-2-61.50 -----	1	
-73	0412020-10	WINDOW-REAR CLEAR -----	1	
	0412020-21	WINDOW-REAR TINTED -----	1	
		ATTACHING PARTS		
-74	0412042-1	RETAINER-REAR WINDOW -----	1	
	S1389-1	PAD-FELT 19.50 IN LG BULK ITEM REF S1389-1-19.50 -----	2	
	AN525-10R10	SCREW TWO CENTER SCREWS -----	2	
	AN525-10R12	SCREW TWO END SCREWS -----	2	
	AN960-10L	WASHER -----	4	
	MS21044N3	NUT -----	4	
		---*---		
-75	0412041-1	DOUBLER -----	1	G
	0412073-1	DOUBLER -----	1	H
-76	CM2692-32-1S	PLUG BUTTON UC -----	1	
-77	0412020-7	SKIN-LOWER REAR SPAR BULKHEAD TO STA 95.00 -----	1	
-78	0412020-8	SKIN-UPPER STA 95.00 TO 133.31 -----	1	G
	0412020-26	SKIN-UPPER STA 95.00 TO 133.31 AEROBAT -----	1	S
	0412020-29	SKIN-UPPER STA 95.00 TO 133.31 -----	1	Q
-79	0412020-36	SKIN-LOWER STA 95.00 TO 133.31 -----	1	A
	0412020-37	SKIN-LOWER STA 95.00 TO 133.31 AEROBAT -----	1	B
-80	0412020-9	SKIN-UPPER STA 133.31 TO 173.41 -----	1	G
	0412020-28	SKIN-UPPER STA 133.31 TO 173.41 -----	1	H
-81	0412121-3	SKIN-LOWER STA 133.31 TO 173.41 -----	1	
-82	SEE FIG 30	TAILCONE ASSEMBLY-AFT -----	1	
-83	0400209-2	CLIP ASSEMBLY-COAT HANGER -----	2	
-84	1260474-1	BRACKET-EMERGENCY LOCATOR TRANS MOUNTING -----	1	S
-85	S202VW	CHANNEL-7.00 IN LG BULK ITEM REF S202V0700W -----	2	
-86	S202VW	CHANNEL-7.62 IN LG BULK ITEM REF S202V0726W -----	2	
		A---150 SERIAL 15071129 & ON F150 SERIAL F15000530 & ON		
		B---A150 SERIAL A1500001 & ON FA150 SERIAL FA1500001 & ON		
		C---150 SERIAL 15071129 THRU 15072003 F150 SERIAL F15000530 THRU F15000658		
		D---150 SERIAL 15072004 THRU 15077005 F150 SERIAL F15000659 THRU F15001248		
		E---A150 SERIAL A1500001 THRU A1500226 FA150 SERIAL FA1500001 THRU FA1500081		
		F---A150 SERIAL A1500227 THRU A1500342 FA150 SERIAL FA1500082 THRU FA1500166		
		G---150 SERIAL 15071129 THRU 15072003 F150 SERIAL F15000530 THRU F15000658 A150 SERIAL A1500001 THRU A1500226 FA150 SERIAL FA1500001 THRU FA1500081		
		CONTINUED ON NEXT PAGE		



FIGURE AND INDEX NO.	PART NUMBER	DESCRIPTION	UNITS PER ASSY	USABLE ON CODE
29 -		<p style="text-align: center;">1 2 3 4 5 6 7</p> <p>H---150 SERIAL 15072004 & ON F150 SERIAL F15000659 & ON A150 SERIAL A1500227 & ON FA150 SERIAL FA1500082 & ON</p> <p>J---150 SERIAL 15071129 & ON F150 SERIAL F15000530 & ON A150 SERIAL A1500227 & ON FA150 SERIAL FA1500082 & ON</p> <p>K---150 SERIAL 15071129 THRU 15072003 F150 SERIAL F15000530 THRU F15000658 A150 SERIAL A1500001 THRU A1500609 FA150 SERIAL FA1500001 THRU FA1500281</p> <p>L---150 SERIAL 15071129 THRU 15072600 F150 SERIAL F15000530 THRU F15000758 A150 SERIAL A1500001 THRU A1500271 FA150 SERIAL FA1500001 THRU FA1500161</p> <p>M---150 SERIAL 15072601 & ON F150 SERIAL F15000759 & ON A150 SERIAL A1500272 & ON FA150 SERIAL FA1500162 & ON</p> <p>N---150 SERIAL 15072004 THRU 15072628 F150 SERIAL F15000659 THRU F15000738 A150 SERIAL A1500227 THRU A1500276 FA150 SERIAL FA1500082 THRU FA1500121</p> <p>P---150 SERIAL 15072629 & ON F150 SERIAL F15000739 & ON A150 SERIAL A1500277 & ON FA150 SERIAL FA1500122 & ON</p> <p>Q---150 SERIAL 15072004 THRU 15072628 F150 SERIAL F15000659 THRU F15000738</p> <p>R---150 SERIAL 15072629 & ON F150 SERIAL F15000739 & ON</p> <p>S---150 SERIAL 15072629 & ON F150 SERIAL F15000739 & ON A150 SERIAL A1500227 & ON FA150 SERIAL FA1500082 & ON</p> <p>T---150 SERIAL 15071129 THRU 15073658 F150 SERIAL F15000530 THRU F15000863 A150 SERIAL A1500001 THRU A1500342 FA150 SERIAL FA1500001 THRU FA1500166</p> <p>U---150 SERIAL 15073659 & ON F150 SERIAL F15000864 & ON A150 SERIAL A1500343 & ON FA150 SERIAL FA1500167 & ON</p> <p>V---150 SERIAL 15072629 THRU 15073658 F150 SERIAL F15000739 THRU F15000863</p> <p>W---150 SERIAL 15073659 THRU 15075781 F150 SERIAL F15000864 THRU F15001143</p> <p>X---150 SERIAL 15073659 THRU 15075781 A150 SERIAL A1500343 & ON FA150 SERIAL FA1500167 & ON</p> <p>Y---150 SERIAL 15073659 THRU 15075781 A150 SERIAL A1500343 THRU A1500523 FA150 SERIAL FA1500161 THRU FA1500261</p> <p>Z---150 SERIAL 15075782 THRU 15078505 F150 SERIAL F15001144 THRU F15001338</p> <p>AA---150 SERIAL 15075782 THRU 15078505 A150 SERIAL A1500524 THRU A1500684 FA150 SERIAL FA1500262 THRU FA1500311</p> <p>AB---150 SERIAL 15072629 THRU 15075781 F150 SERIAL F15000739 THRU F15001143 A150 SERIAL A1500277 THRU A1500523 FA150 SERIAL FA1500122 THRU FA1500261</p> <p>AC---150 SERIAL 15071129 THRU 15075781 F150 SERIAL F15000530 THRU F15001143 A150 SERIAL A1500001 THRU A1500523 FA150 SERIAL FA1500001 THRU FA1500261</p> <p style="text-align: center;">CONTINUED ON NEXT PAGE</p>		

FIGURE AND INDEX NO.	PART NUMBER	DESCRIPTION	UNITS PER ASSY	USABLE ON CODE
29 -		<p style="text-align: center;">1 2 3 4 5 6 7</p> <p>AD---150 SERIAL 15075782 & ON F150 SERIAL F15001144 & ON A150 SERIAL A1500524 & ON FA150 SERIAL FA1500262 & ON</p> <p>AE---150 SERIAL 15071129 THRU 15077005 F150 SERIAL F15000530 THRU F15001248 A150 SERIAL A1500001 THRU A1500609 FA150 SERIAL FA1500001 THRU FA1500281</p> <p>AF---150 SERIAL 15072004 THRU 15077005 F150 SERIAL F15000659 THRU F15001248 A150 SERIAL A1500227 THRU A1500609 FA150 SERIAL FA150082 THRU FA1500281</p> <p>AG---150 SERIAL 15077006 & ON F150 SERIAL F15001249 & ON A150 SERIAL A1500610 & ON FA150 SERIAL FA1500282 & ON</p> <p>AH---150 SERIAL 15077006 & ON F150 SERIAL F15001249 & ON</p> <p>AJ---A150 SERIAL A1500610 & ON FA150 SERIAL FA1500282 & ON</p> <p>AK---150 SERIAL 15078506 & ON F150 SERIAL F15001339 & ON</p> <p>AL---A150 SERIAL A1500685 & ON FA150 SERIAL FA1500312 & ON</p> <p>AM---150 SERIAL 15071129 THRU 15078505 F150 SERIAL F1500530 THRU F15001338 A150 SERIAL A1500001 THRU A1500684 FA150 SERIAL FA1500001 THRU FA1500311</p> <p>AN---150 SERIAL 15078506 & ON F150 SERIAL F15001339 & ON A150 SERIAL A1500685 & ON FA150 SERIAL FA1500312 & ON</p>		

Fuselage (Cont)

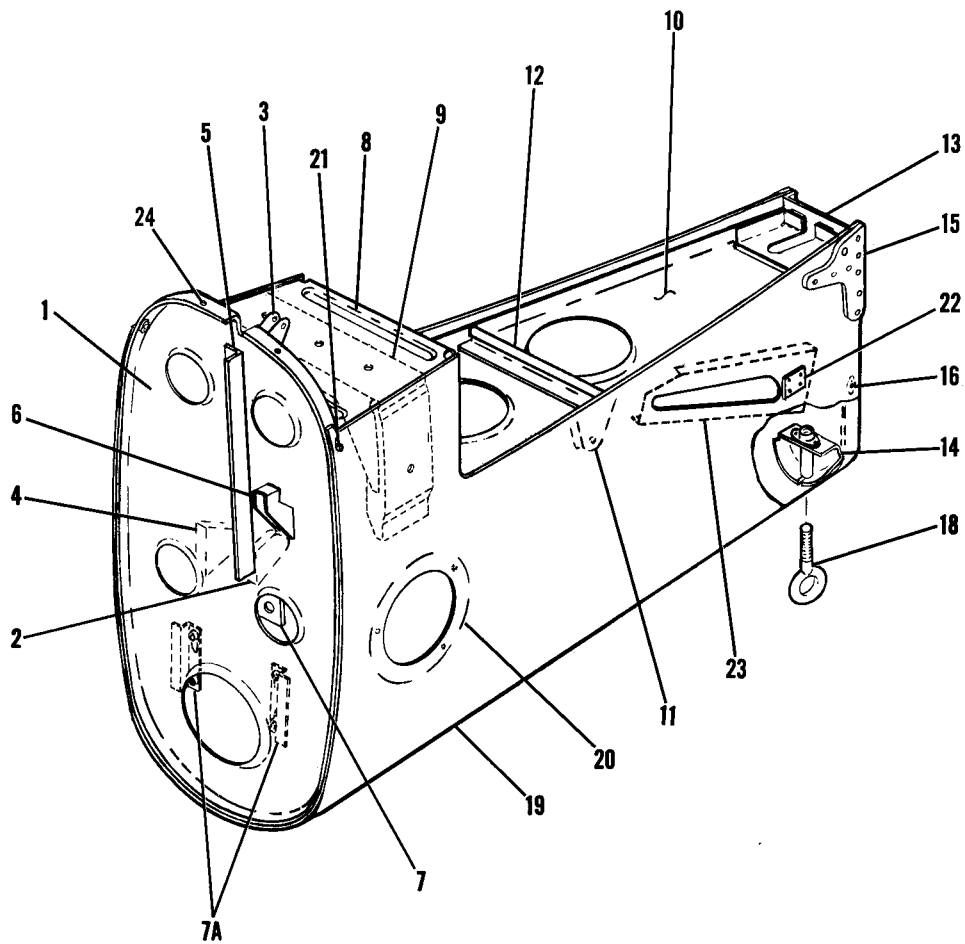


Figure 30. Aft Tailcone Assembly



FIGURE AND INDEX NO.	PART NUMBER	DESCRIPTION							UNITS PER ASSY	USABLE ON CODE
		1	2	3	4	5	6	7		
30 -	0412020-202	TAILCONE ASSEMBLY-AFT WEU 0412020-207 -----							1	E
	0412020-207	TAILCONE ASSEMBLY-AFT -----							1	G
	0412020-203	TAILCONE ASSEMBLY-AFT AEROBAT WEU 0412020-208 -----							1	F
	0412020-208	TAILCONE ASSEMBLY-AFT -----							1	H
- 1	0412173-2	BULKHEAD ASSEMBLY-STA 173.41 -----							1	C
	0412173-3	BULKHEAD ASSEMBLY-STA 173.41 -----							1	D
	0412173-4	BULKHEAD ASSEMBLY-STA 173.41 -----							1	J
- 2	0411458	BRACKET-ELEVATOR PULLEY LOWER LH -----							1	
- 3	0411458-1	BRACKET-ELEVATOR PULLEY UPPER RH -----							1	
- 4	0411447	BRACKET-RUDDER PULLEY -----							1	
		ATTACHING PARTS								
	AN520-10R7	SCREW -----							1	
	MS21044N3	NUT -----							1	
		----*----								
- 5	0412132	ANGLE -----							1	
- 6	0412467	BRACKET-ELEVATOR TAB CONTROL -----							1	
- 7	0433133-1	FAIRLEAD -----							1	
- 7A	0412529-1	BRACKET ASSEMBLY-FLASHER -----							2	J
	NAS682A08K	NUTPLATE -----							2	J
- 8	0412177-2	BULKHEAD-STABILIZER ATTACHMENT -----							1	
- 9	0432169-1	* STIFFENER ASSEMBLY -----							1	
	S1863-2A	NUTPLATE -----							2	
-10	0412174-2	BULKHEAD ASSEMBLY-HORIZONTAL -----							1	
-11	0411447	BRACKET-RUDDER PULLEY -----							2	
		ATTACHING PARTS								
	AN520-10R7	SCREW -----							1	
	MS21044N3	NUT -----							1	
		----*----								
-12	S202RB	CHANNEL-6.00 IN LG BULK ITEM REF S202R600B -----							1	
-13	0412008-1	BULKHEAD ASSEMBLY STA 200.375 -----							1	
-14	0412184-1	BRACKET ASSEMBLY-MOORING RING -----							1	
	NAS680A5	NUTPLATE -----							1	
-15	0412010-1	PLATE -----							2	
-16	NAS428H3-7	SCREW -----							2	
	NAS697A3K	NUTPLATE -----							2	
-17		DELETED, NEVER USED -----								
-18	0523613-1	EYEBOLT-MOORING -----							1	
-19	0412176-2	SKIN -----							1	B
	0412176-3	SKIN AEROBAT -----							1	A
-20	S237-2	DOUBLER ASSEMBLY -----							2	
	NAS395-14-3	NUTPLATE -----							3	
-21	S1862-1	NUTPLATE -----							2	
-22	0412020-17	STRIP-RUB -----							2	
-23	0412515-1	STIFFENER-RUDDER CABLE CUTOUT LH -----							1	A
	0412515-2	STIFFENER-RUDDER CABLE CUTOUT RH -----							1	A
-24	S1863-2	NUTPLATE -----							2	
<p>NOTE. *WHEN INITIALLY ORDERING THIS PART FOR AIRCRAFT PRIOR TO SERIALS 15072100, A1500239, F15000699 & FA1500122 ALSO ORDER ONE 0412177-2 BULKHEAD.</p> <p>A---A150 SERIAL A1500001 & ON FA150 SERIAL FA1500001 & ON</p> <p>B---150 SERIAL 15071129 & ON F150 SERIAL F15000530 & ON</p> <p>C---150 SERIAL 15071129 THRU 15072003 F150 SERIAL F15000530 THRU F15000658 A150 SERIAL A1500001 THRU A1500226 FA150 SERIAL FA1500001 THRU FA1500081</p> <p>D---150 SERIAL 15072004 THRU 15073658 F150 SERIAL F15000659 THRU F15000863 A150 SERIAL A1500227 THRU A1500342 FA150 SERIAL FA1500082 THRU FA1500166</p> <p>E---150 SERIAL 15071129 THRU 15072003 F150 SERIAL F15000530 THRU F15000658</p> <p>F---A150 SERIAL A1500001 THRU A1500226 FA150 SERIAL FA1500001 THRU FA1500081</p> <p>G---150 SERIAL 15072004 & ON F150 SERIAL F15000659 & ON</p> <p>H---A150 SERIAL A1500227 & ON FA150 SERIAL FA1500082 & ON</p> <p>J---150 SERIAL 15073659 & ON F150 SERIAL F15000864 & ON A150 SERIAL A1500343 & ON FA150 SERIAL FA1500167 & ON</p>										

Fuselage (Cont)

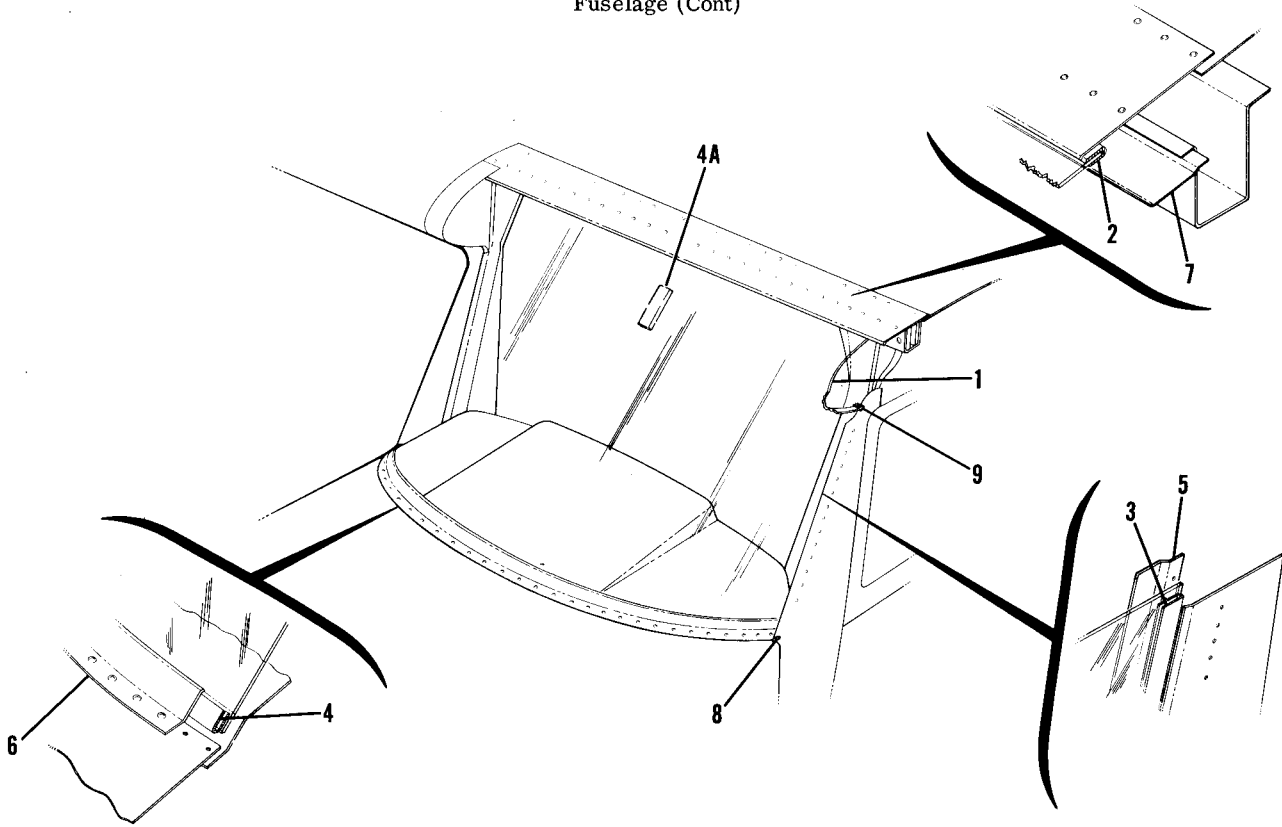


Figure 31. Windshield Installation

FIGURE AND INDEX NO.	PART NUMBER	DESCRIPTION	UNITS PER ASSY	USABLE ON CODE
31 -		WINDSHIELD INSTALLATION	NP	
- 1	0413419-203	WINDSHIELD ASSEMBLY-CLEAR	1	B
	0413419-201	WINDSHIELD ASSEMBLY-CLEAR	1	C
	0413419-200	WINDSHIELD ASSEMBLY-TINTED	1	B
	0413419-202	WINDSHIELD ASSEMBLY-TINTED	1	C
- 2	S1389-5	PAD-FELT 44.0 IN LG BKI REF S1389-5-44.0	1	
- 3	S1389-5	PAD-FELT 18.00 IN LG BKI REF S1389-5-18.0	2	
- 4	S1389-5	PAD-FELT 78.0 IN LG BKI REF S1389-5-78.0	1	
- 4A	0413437-1	BASE PLATE ASSY-COMPASS MOUNT	1	C
- 5	0411870	STRIP-WINDSHIELD SIDE	2	
- 6	0411479-50	STRIP-WINDSHIELD LOWER OUTER	1	
- 7	0411481	STRIP-WINDSHIELD ATTACHMENT	1	
- 8	AN525-832R8	SCREW	2	
	AN960-8L	WASHER	4	
	MS21044N08	NUT	2	
- 9	0413530-1	COVER	2	A
<p>NOTE. □ THIS PART NUMBER MUST HAVE A SECOND DASH NUMBER ADDED TO DENOTE COLOR. REFER TO HOW TO ORDER INTERIOR PARTS-PAGE VII.</p> <p>A---150 SERIAL 15073143 & ON F150 SERIAL F15000819 & ON A150 SERIAL A1500318 & ON FA150 SERIAL FA1500162 & ON</p> <p>B---150 SERIAL 15071129 THRU 15073658 F150 SERIAL F15000530 THRU F15000863 A150 SERIAL A1500001 THRU A1500342 FA150 SERIAL FA1500001 THRU FA1500166</p> <p>C---150 SERIAL 15073659 & ON F150 SERIAL F15000864 & ON A150 SERIAL A1500343 & ON FA150 SERIAL FA1500167 & ON</p>				



FIGURE AND INDEX NO.	PART NUMBER	DESCRIPTION	UNITS PER ASSY	USABLE ON CODE		
					1	2
32 -		NOSE GEAR INSTALLATION	NP			
- 1	SEE FIG 33	STRUT ASSEMBLY-NOSE	1			
		ATTACHING PARTS				
- 2	NAS561P12-48	ROLL PIN	1			
- 3	AN5-24A	BOLT	1			
- 4	MS21042L5	NUT	1			
	AN960-516	WASHER	2			
		-----*				
- 5	0543022-3	TUBE ASSEMBLY-NOSE GEAR STEERING LH	1			
	0543022-4	TUBE ASSEMBLY-NOSE GEAR STEERING RH	1			
		ATTACHING PARTS				
- 6	AN3-10A	BOLT	1			
	MS21044N3	NUT	1			
- 7	MS20364-624C	NUT	1			
	NAS43HT6-29	BUSHING	1			
		-----*				
- 8	MS20435M4-14	RIVET	1			
- 9	0543023	CLEVIS	1			
-10	AN316-6R	NUT	1			
-11	C109	BALL JOINT TOK	1			
-12	NAS397-16	CLAMP	2			
-13	S1823-3	BEARING-ROD END	2			
-14	AN316-6R	NUT	2			
-15	SEE FIG 34	WHEEL ASSEMBLY-NOSE	1			
	SEE FIG 34A	WHEEL ASSEMBLY-NOSE	1	B		
		ATTACHING PARTS				
-16	0442142-1	TUBE-AXLE	1			
-17	0442143-1	FERRULE	2	D		
	0442143-2	FERRULE	2	E		
-18	AN5-74	BOLT	1	D		
	AN7-74	BOLT	1	E		
-19	AN960C516	WASHER	2	D		
	AN960C716	WASHER	2	E		
-20	AN310-5	NUT	1	D		
	AN320-7	NUT	1	E		
-21	MS24665-134	PIN-COTTER	1	D		
	MS24665-285	PIN-COTTER	1	E		
		-----*				
-22	0743625-14	SPEED FAIRING ASSEMBLY-NOSE GEAR	1	A		
-22A	0543065-1	SPEED FAIRING ASSEMBLY-NOSE GEAR	1	C		
	0543065-10	SPEED FAIRING ASSEMBLY-NOSE GEAR	1	J		
	0543079-1	SPEED FAIRING ASSEMBLY-NOSE GEAR	1	L		
		ATTACHING PARTS				
-23	0742410-27	STUD	1	D		
	0742410-28	STUD	1	E		
-24	AN960D516	WASHER	6	A		
-24A	S1450-5-12-035	WASHER	2	C		
	AN960-716L	WASHER	2	E		
-24B	AN970-5	WASHER BETWEEN FORK & FAIRING	4	C		
	AN970-7	WASHER BETWEEN FORK & FAIRING	2	E		
-25	AN310-5	NUT	2	D		
	AN320-7	NUT	2	E		
-26	MS24665-136	COTTER PIN	2	D		
	MS24665-285	COTTER PIN	2	E		
-27	AN5-37A	BOLT	1			
-28	S1450-5-12-035	WASHER	AR	A		
-28A	AN960-516L	WASHER	AR	B		
-29	MS21042L5	NUT	1			
		-----*				
-30	0743625-9	DOUBLER	2	A		
-31	0541207-2	DOUBLER	2	C		
	0541207-4	DOUBLER	2	J		
-31A	0541223-13	DOOR ASSY-WHEEL FAIRING	1	L		
-31B	KM610-64	LATCH-WHEEL FAIRING DOOR	1	L		

CONTINUED ON NEXT PAGE

Aligning Gear

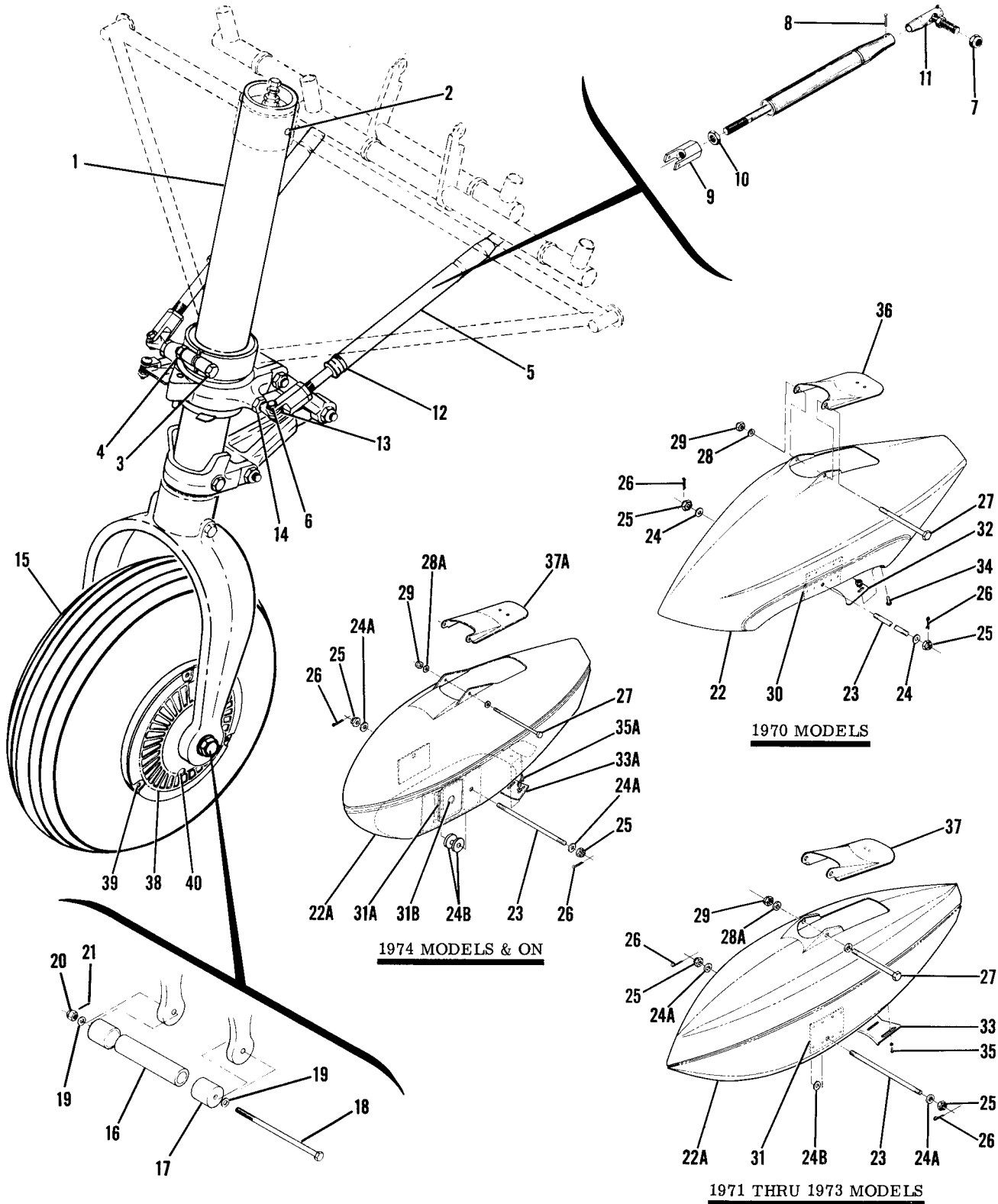


Figure 32. Nose Gear Installation

FIGURE AND INDEX NO.	PART NUMBER	DESCRIPTION	UNITS PER ASSY	USABLE ON CODE
		1 2 3 4 5 6 7		
32 -32	0743625-11	SCRAPER -----	1	A
-33	0541205-2	SCRAPER -----	1	H
-33A	0541221-2	SCRAPER -----	1	L
		ATTACHING PARTS		
-34	AN520-10R10	SCREW -----	3	A
-35	AN520-10R6	SCREW -----	3	H
-35A	AN520-10R12	SCREW -----	3	L
	AN960-10	WASHER -----	3	K
	AN960-10	WASHER -----	6	L
	MS21044N3	NUT -----	3	
		*-----		
-36	0743625-7	COVER PLATE ASSEMBLY -----	1	A
-37	0743625-15	COVER PLATE ASSEMBLY -----	1	H
-37A	0743625-17	COVER PLATE ASSEMBLY -----	1	L
-38	0743627-3	CAP-NOSE WHEEL HUB VALVE STEM SIDE -----	1	F
	0743627-4	CAP-NOSE WHEEL HUB -----	1	F
	0743627-5	CAP-NOSE WHEEL HUB VALVE STEM SIDE -----	1	G
	0743627-6	CAP-NOSE WHEEL HUB -----	1	G
		ATTACHING PARTS		
-39	AN515-8R4	SCREW USED WITH 1241156-12 & C163002-0201 WHEEL ASSY -----	3	
	S2191-8-4	SCREW USED WITH C163003-0201, C163003-0401 & -----	3	
	AN936A8	WASHER -----	3	
		*-----		
-40	6241M	EXTENSION-VALVE .75 IN LONG DL -----	1	F
	3680C	EXTENSION-VALVE .75 IN LONG SV ALT -----	1	F
	6241B	EXTENSION-VALVE .50 IN LONG DL -----	1	G
		NOTE. *THIS WHEEL IS AN ALTERNATE CODE B & ON		
		A---150 SERIAL 15071129 THRU 15072003 F150 SERIAL F15000530 THRU F15000658 A150 SERIAL A1500001 THRU A1500226 FA150 SERIAL FA1500001 THRU FA1500081		
		B---150 SERIAL 15072004 & ON F150 SERIAL F15000659 & ON A150 SERIAL A1500227 & ON FA150 SERIAL FA1500082 & ON		
		C---150 SERIAL 15072004 THRU 15072839 F150 SERIAL F15000659 THRU F15000778 A150 SERIAL A1500227 THRU A1500292 FA150 SERIAL FA1500082 THRU FA1500161		
		D---150 SERIAL 15071129 THRU 15072839 F150 SERIAL F15000530 THRU F15000778 A150 SERIAL A1500001 THRU A1500292 FA150 SERIAL FA1500001 THRU FA1500161		
		E---150 SERIAL 15072840 & ON F150 SERIAL F15000779 & ON A150 SERIAL A1500293 & ON FA150 SERIAL FA1500162 & ON		
		F---150 SERIAL 15071129 THRU 15072983 F150 SERIAL F15000530 THRU F15000818 A150 SERIAL A1500001 THRU A1500304 FA150 SERIAL FA1500001 THRU FA1500161		
		G---150 SERIAL 15072984 & ON F150 SERIAL F15000819 & ON A150 SERIAL A1500305 & ON FA150 SERIAL FA1500162 & ON		
		H---150 SERIAL 15072004 THRU 15074850 F150 SERIAL F15000659 THRU F15001013 A150 SERIAL A1500227 THRU A1500429 FA150 SERIAL FA1500082 THRU FA1500211		
		J---150 SERIAL 15072840 THRU 15074850 F150 SERIAL F15000779 THRU F15001013 A150 SERIAL A1500293 THRU A1500429 FA150 SERIAL FA1500162 THRU FA1500211		
		K---150 SERIAL 15071129 THRU 15074850 F150 SERIAL F15000530 THRU F15001013 A150 SERIAL A1500001 THRU A1500429 FA150 SERIAL FA1500001 THRU FA1500211		
		L---150 SERIAL 15074851 & ON F150 SERIAL F15001014 & ON A150 SERIAL A1500430 & ON FA150 SERIAL FA1500212 & ON		

Aligning Gear (Cont)

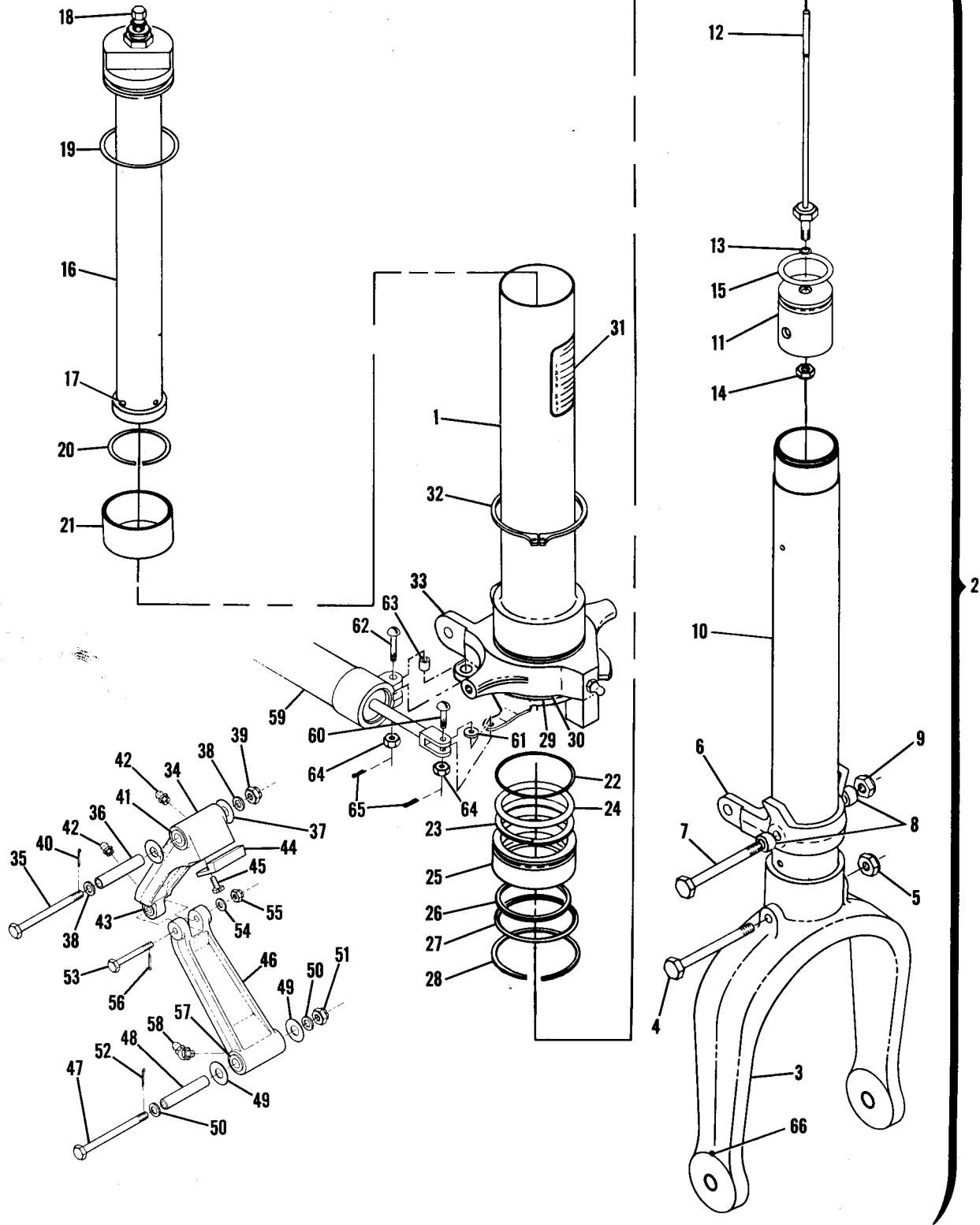


Figure 33. Nose Gear Strut Assembly

FIGURE AND INDEX NO.	PART NUMBER	DESCRIPTION							UNITS PER ASSY	USABLE ON CODE
		1	2	3	4	5	6	7		
33 -	0442504-10	*	STRUT ASSEMBLY-NOSE GEAR	WEU 0442504-13					1	A
	0442504-13		STRUT ASSEMBLY-NOSE GEAR						1	B
- 1	0543008-6		TUBE-SHOCK STRUT						1	
- 2	0442504-200		SHOCK STRUT ASSEMBLY-LOWER	WEU 0442504-201					1	A
	0442504-201	*	SHOCK STRUT ASSEMBLY-LOWER						1	B
- 3	SK150-11		FORK-NOSE GEAR REPLACEMENT						1	
			ATTACHING PARTS							
- 4	AN5-33A		BOLT						1	
- 5	MS21042L5		NUT						1	

- 6			FITTING						NP	
			ATTACHING PARTS							
- 7	AN5-43A		BOLT						1	
- 8	0743009-1		SPACER						2	
- 9	MS21042L5		NUT						1	

-10			TUBE-INNER						NP	
-11	0743612-1		PLUG-PIN BASE						1	
-12	0442017-1		PIN-METERING						1	
			ATTACHING PARTS							
-13	AN622785		O RING						1	
-14	MS21042L4		NUT						1	

-15	AN6227826		O RING						1	
-16	0543000-27		ORIFICE-PISTON SUPPORT ASSEMBLY						1	
-17	AN500A6-8		SCREW						4	
-18	0543036-1		VALVE ASSEMBLY						1	
	AN901-5A		GASKET						1	
-19	AN623083		O RING						1	
-20	0841200-19		LOCK RING						1	
-21	1243021-1		BEARING						1	
-22	AN623086		O RING						1	
-23	S1628-329		RING-BACK UP						2	
-24	AN6227832		O RING						1	
-25	1243626-1		RING-PACK SUPPORT						1	
-26	S11065-21		SCRAPER SHWS						1	
-27	0841200-15		RING-PACK RETAINER						1	
-28	0841200-25		LOCK RING						1	
-29	0543029		WASHER						1	
-30	1243030-5		SHIM .006 THICK						AR	
	1243030-6		SHIM .012 THICK						AR	
	1243030-7		SHIM .020 THICK						AR	
-31	0442145-1		PLACARD-NOSE GEAR SHOCK STRUT						1	
-32	MS16624-1275		RING-RETAINER						1	
-33	0743011-6		ARM ASSEMBLY-STEERING						1	
	B4416D		BEARING TOR						1	
	AN944-101A		FITTING-LUBRICATION						1	
-34	0442506-1		LINK ASSEMBLY-TORQUE UPPER						1	
			ATTACHING PARTS							
-35	AN4-31		BOLT						1	
-36	0543047-1		SPACER						1	
-37	0543048-1		SHIM						AR	
-38	AN960-416L		WASHER						2	
-39	AN310-4		NUT						1	
-40	MS24665-134		PIN-COTTER						1	

-41	NAS77-6-88		BUSHING						2	
-42	AN944-101A		FITTING-LUBRICATOR						2	
-43	NAS77-3-23		BUSHING						2	
-44	0442506-8		STOP LUG						1	
			ATTACHING PARTS							
-45	AN3-3A		BOLT						2	
	0442506-9		LUG-SAFETY						1	

CONTINUED ON NEXT PAGE

FIGURE AND INDEX NO.	PART NUMBER	DESCRIPTION	UNITS PER ASSY	USABLE ON CODE
33 -46	0442506-2	LINK ASSEMBLY-TORQUE LOWER ----- ATTACHING PARTS	1	
-47	AN4-31	BOLT -----	1	
-48	0543047-1	SPACER -----	1	
-49	0543048-1	SHIM -----	AR	
-50	AN960-416L	WASHER -----	AR	
-51	AN310-4	NUT -----	1	
-52	MS24665-134	PIN-COTTER -----	1	
-53	NAS464-3-22	BOLT -----	1	
-54	AN960-10L	WASHER -----	1	
-55	AN310-3	NUT -----	1	
-56	MS24665-132	PIN-COTTER ----- ---*---	1	
-57	NAS77-6-88	BUSHING -----	2	
-58	MS15002-3	FITTING-LUBRICATOR -----	1	
-59	SEE FIG 35	DAMPENER ASSEMBLY ----- ATTACHING PARTS	1	
-60	AN23-11	BOLT -----	1	
-61	AN960-10L	WASHER -----	AR	
-62	AN23-17	BOLT -----	1	
-63	NAS75-3-009	SPACER -----	1	
-64	AN320-3	NUT -----	2	
-65	MS24665-132	PIN-COTTER ----- ---*---	2	
-66	NAS561P4-10	PIN-ROLL -----	2	
<p>NOTE. *WHEN INITIALLY ORDERING THIS PART FOR AIRCRAFT PRIOR TO SERIALS 15072840, F15000779, A1500293 & FA1500162 ALSO ORDER ONE AN7-74 BOLT, TWO AN960C716 WASHERS, ONE AN320-7 NUT, ONE MS24665-285 COTTER PIN & TWO 0442143-2 FERRULES.</p> <p>A---150 SERIAL 15071129 THRU 15072839 F150 SERIAL F15000530 THRU F15000778 A150 SERIAL A1500001 THRU A1500292 FA150 SERIAL FA1500001 THRU FA1500161</p> <p>B---150 SERIAL 15072840 & ON F150 SERIAL F15000779 & ON A150 SERIAL A1500293 & ON FA150 SERIAL FA1500162 & ON</p>				

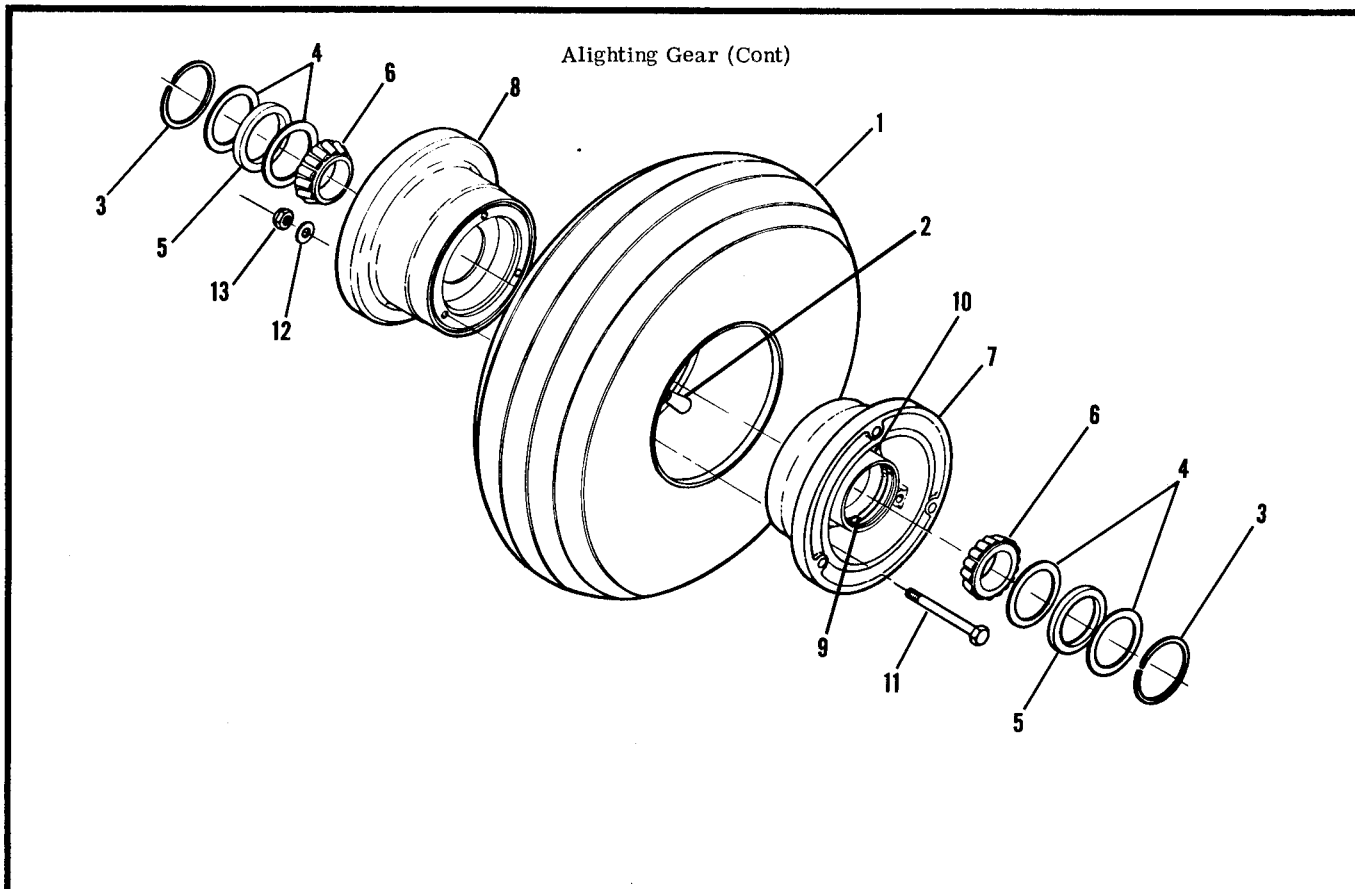
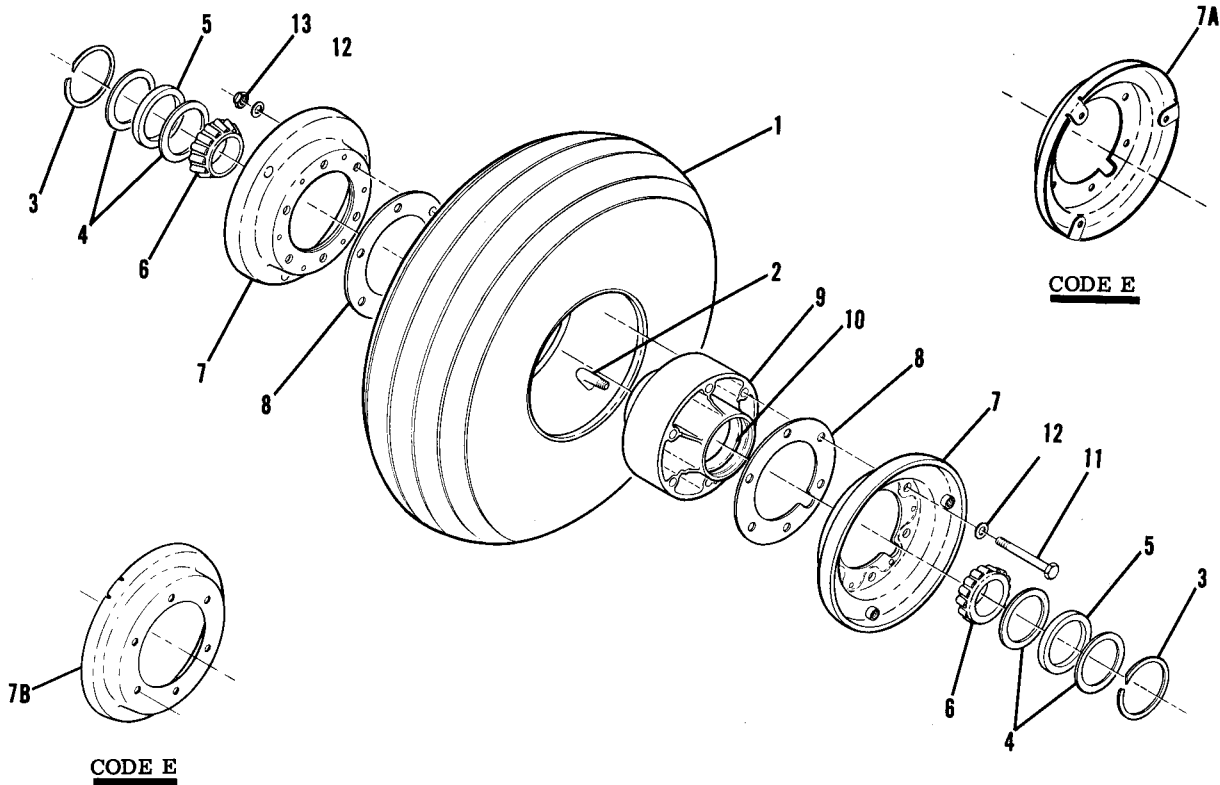


Figure 34. Nose Gear Wheel Assembly

FIGURE AND INDEX NO.	PART NUMBER	DESCRIPTION	UNITS PER ASSY	USABLE ON CODE
		1 2 3 4 5 6 7		
34 -		WHEEL ASSEMBLY-NOSE GEAR -----	NP	
- 1	C262003-0102	TIRE-BLACKWALL 5.00X5 4 PLY RATED -----	1	
	C262001-0102	TIRE-WHITWALL 5.00X5 4 PLY RATED WEU C262001-0202 -----	1	
	C262001-0202	TIRE-WHITWALL 5.00X5 6 PLY RATED -----	1	A
	C262004-0101	TIRE-WHITWALL 5.00X5 4 PLY RATED -----	1	B
- 2	C262023-0101	TUBE-5.00X5 -----	1	
	1241156-12	WHEEL ASSEMBLY CFP 40-77 -----	1	
- 3	155-00200	RING CFP -----	2	
- 4	153-00800	RING-GREASE SEAL CFP -----	4	
- 5	154-00600	GREASE SEAL-FELT CFP -----	2	
- 6	214-00400	CONE-BEARING CFP -----	2	
- 7	161-03100	WHEEL HALF-MALE CFP -----	1	
- 8	162-02800	WHEEL HALF-FEMALE CFP -----	1	
- 9	214-00300	CUP-BEARING CFP -----	1	
-10	217-00100	GROMMET CFP -----	1	
-11	AN4-22A	BOLT -----	3	
-12	AN960-416	WASHER -----	3	
-13	AN365-428	NUT -----	3	
<p>NOTE. *SERIALS 15072004 & ON, F15000659 & ON, A1500227 & ON, FA1500082 & ON THIS WHEEL IS AN ALTERNATE FOR C163002-0201, C163003-0201, C163003-0401 & C163005-0201 WHEELS.</p> <p>A---150 SERIAL 15071129 THRU 15073658 F150 SERIAL F15000530 THRU F15000862 A150 SERIAL A1500001 THRU A1500342 FA150 SERIAL FA1500001 THRU FA1500166</p> <p>B---150 SERIAL 15073659 & ON F150 SERIAL F15000863 & ON A150 SERIAL A1500343 & ON FA150 SERIAL FA1500167 & ON</p>				

Aligning Gear (Cont)

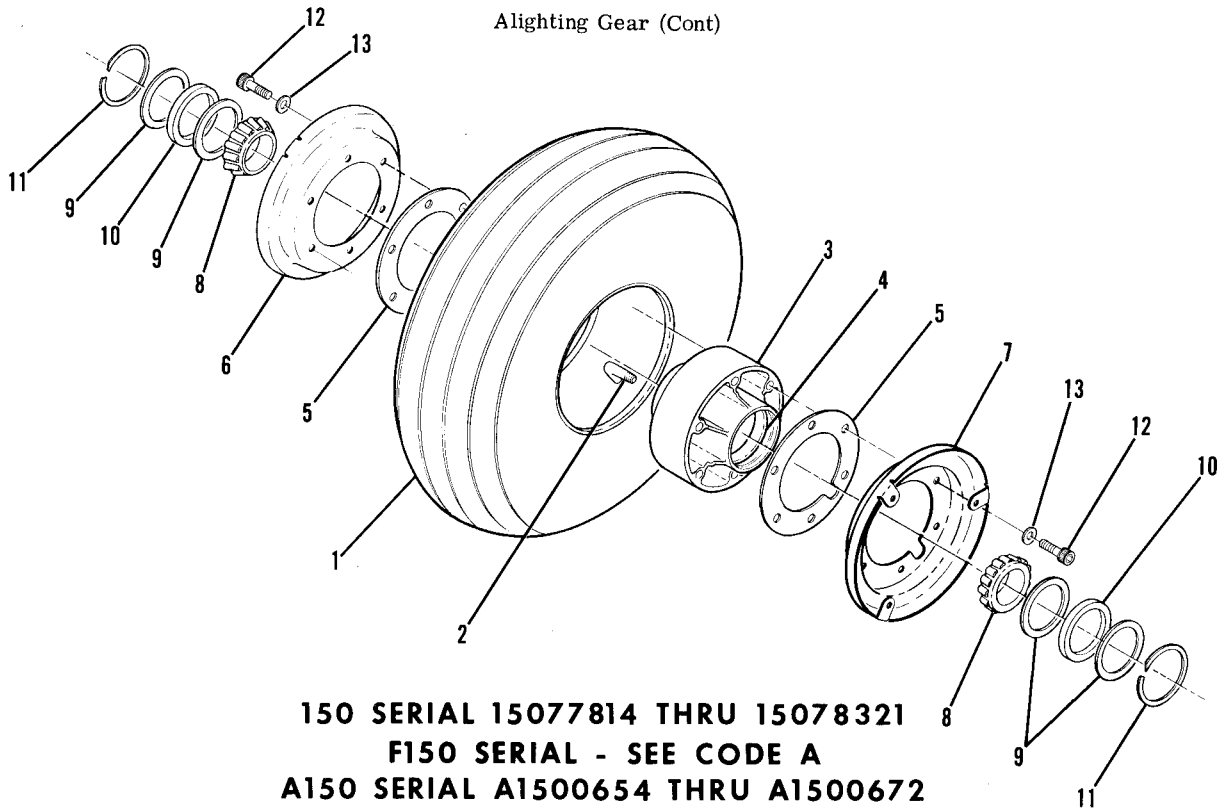


150 SERIAL 15072004 THRU 15077813
F150 SERIAL F15000659 THRU F15001300, F15001307,
F15001310, F15001315 & F15001320
A150 SERIAL A1500227 THRU A1500653
FA150 SERIAL FA1500082 THRU FA1500300

Figure 34A. Nose Gear Wheel Assembly

FIGURE AND INDEX NO.	PART NUMBER	DESCRIPTION	UNITS PER ASSY	USABLE ON CODE
		1 2 3 4 5 6 7		
34A-		WHEEL ASSEMBLY-NOSE GEAR -----	NP	A
- 1	C262003-0102	TIRE-BLACKWALL 5.00X5 4 PLY RATED -----	1	
	C262001-0102	TIRE-WHITEWALL 5.00X5 4 PLY RATED -----	1	B
		WEU C262001-0202 -----		
	C262001-0202	TIRE-WHITEWALL 5.00X5 6 PLY RATED -----	1	B
	C262004-0101	TIRE-WHITEWALL 5.00X5 4 PLY RATED -----	1	C
- 2	C262023-0101	TUBE 5.00X5 -----	1	
	C163002-0201 *	WHEEL ASSEMBLY -----	NP	D
	C163003-0201 *	WHEEL ASSEMBLY -----	NP	E
- 3	A1636-23	RING-RETAINING MCL -----	2	
- 4	A30048	RING-GREASE SEAL MCL -----	4	
- 5	A30047	GREASE SEAL-FELT MCL -----	2	
- 6	A30078-2	BEARING MCL -----	2	
- 7	D30058	FLANGE-WHEEL USE WITH C163002-0201 MCL -----	2	D
- 7A	C30172-1	FLANGE-WHEEL USE WITH C263003-0201 MCL -----	1	E
- 7B	C30172	FLANGE-WHEEL USE WITH C263003-0201 MCL -----	1	E
- 8	B30077	SPACER MCL -----	2	
- 9	C30057	HUB ASSEMBLY MCL -----	1	
-10	A30078-1	CUP-BEARING MCL -----	2	
-11	AN4-24A	BOLT USE WITH C163002-0201 -----	6	D
	A2513-66	BOLT USE WITH C163003-0201 MCL -----	6	E
-12	AN960-416L	WASHER USE WITH C163002-0201 -----	12	D
	A1638-29	WASHER USE WITH C163003-0201 MCL -----	12	E
-13	MS21042L4	NUT USE WITH C163002-0201 -----	6	D
	MS20365-428A	NUT USE WITH C163003-0201 MCL -----	6	E
<p>NOTE. *WHEN ORDERING COMPLETE WHEEL ASSY ORDER C163005-0201, SEE FIG 34C.</p> <p>A---150 SERIAL 15072004 THRU 15077813 F150 SERIAL F15000659 THRU F15001300, F15001307, F15001310, F15001315 & F15001320 A150 SERIAL A1500227 THRU A1500653 FA150 SERIAL FA1500082 THRU FA1500300</p> <p>B---150 SERIAL 15072004 THRU 15073658 F150 SERIAL F15000659 THRU F15000863 A150 SERIAL A1500227 THRU A1500342 FA150 SERIAL FA1500082 THRU FA1500166</p> <p>C---150 SERIAL 15073659 THRU 15077813 F150 SERIAL F15000864 THRU F15001300, F15001307, F15001310, F15001315 & F15001320 A150 SERIAL A1500343 THRU A1500653 FA150 SERIAL FA1500167 THRU FA1500300</p> <p>D---150 SERIAL 15072004 THRU 15074403 F150 SERIAL F15000659 THRU F15001073 A150 SERIAL A1500227 THRU A1500389 FA150 SERIAL FA1500082 THRU FA1500236</p> <p><u>E---150 SERIAL 15074404 THRU 15077813</u> F150 SERIAL F15001074 THRU F15001300, F15001307, F15001310, F15001315 & F15001320 A150 SERIAL A1500390 THRU A1500653 FA150 SERIAL FA1500237 THRU FA1500300</p>				

Alighting Gear (Cont)



150 SERIAL 15077814 THRU 15078321
 F150 SERIAL - SEE CODE A
 A150 SERIAL A1500654 THRU A1500672
 FA150 SERIAL FA1500301 THRU FA1500311

Figure 34B. Nose Gear Wheel & Tire Assembly

FIGURE AND INDEX NO.	PART NUMBER	DESCRIPTION	UNITS PER ASSY	USABLE ON CODE
		1 2 3 4 5 6 7		
34B-		NOSE GEAR WHEEL & TIRE ASSY	NP	A
- 1	C262003-0102	TIRE-BLACKWALL 5.00X5 4 PLY RATED	1	
- 2	C262023-0101	TUBE 5.00X5	1	
	C163003-0401 *	WHEEL ASSY	NP	
- 3	C30481	HUB ASSY MCL	1	
- 4	A30078-1	CUP-BEARING MCL	2	
- 5	B30077	SPACER MCL	2	
- 6	C30484	FLANGE-WHEEL MCL	1	
- 7	C30484-1	FLANGE-WHEEL MCL	1	
- 8	A30078-2	CONE-BEARING MCL	2	
- 9	A30048	RETAINER-GREASE SEAL MCL	4	
-10	A30047	GREASE SEAL-FELT MCL	2	
-11	A1636-23	RING-RETAINER	2	
-12	A1635-73	SCREW MCL	12	
-13	AN960-516	WASHER	12	
<p>NOTE. *WHEN ORDERING COMPLETE WHEEL ASSY ORDER C163005-0201 SEE FIG 34C.</p> <p>A---150 SERIAL 15077814 THRU 15078321 F150 SERIAL F15001301 THRU F15001306, F15001308, F15001309, F15001311 THRU F15001314, F15001316 THRU F15001319, F15001321 THRU F15001338 A150 SERIAL A1500654 THRU A1500672 FA150 SERIAL FA1500301 THRU FA1500311</p>				

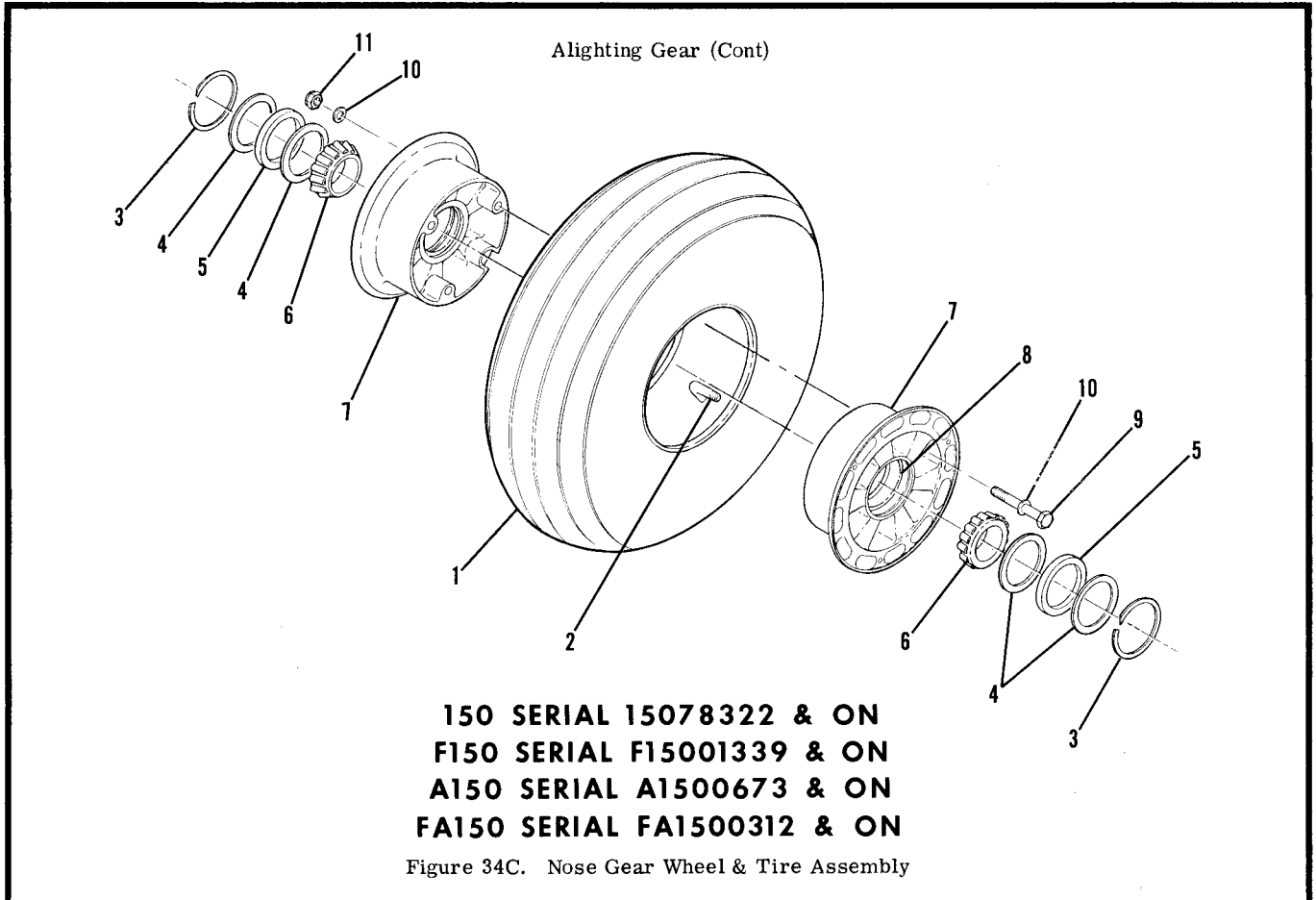


FIGURE AND INDEX NO.	PART NUMBER	DESCRIPTION	UNITS PER ASSY	USABLE ON CODE
		1 2 3 4 5 6 7		
34C-		NOSE GEAR WHEEL & TIRE ASSY -----	NP	A
- 1	C262003-0102	TIRE-BLACKWALL 5.00X5 4 PLY RATED -----	1	
- 2	C262023-0101	TUBE 5.00X5 -----	1	
	C163005-0201	WHEEL ASSY -----	1	
- 3	A1636-23	RING-RETAINING MCL -----	2	
- 4	A30048	RING-GREASE SEAL MCL -----	4	
- 5	A30047	GREASE SEAL-FELT MCL -----	2	
- 6	A30078-2	BEARING MCL -----	2	
- 7	C30598	WHEEL HALF ASSY MCL -----	2	
- 8	A30078-1	CUP-BEARING MCL -----	1	
- 9	AN5-22A	BOLT -----	3	
-10	AN960-516	WASHER -----	6	
-11	AN365-524A	NUT -----	3	
		A---150 SERIAL 15078322 & ON F150 SERIAL F15001339 & ON A150 SERIAL A1500673 & ON FA150 SERIAL FA1500312 & ON		

This page intentionally left blank.

Alighting Gear (Cont)

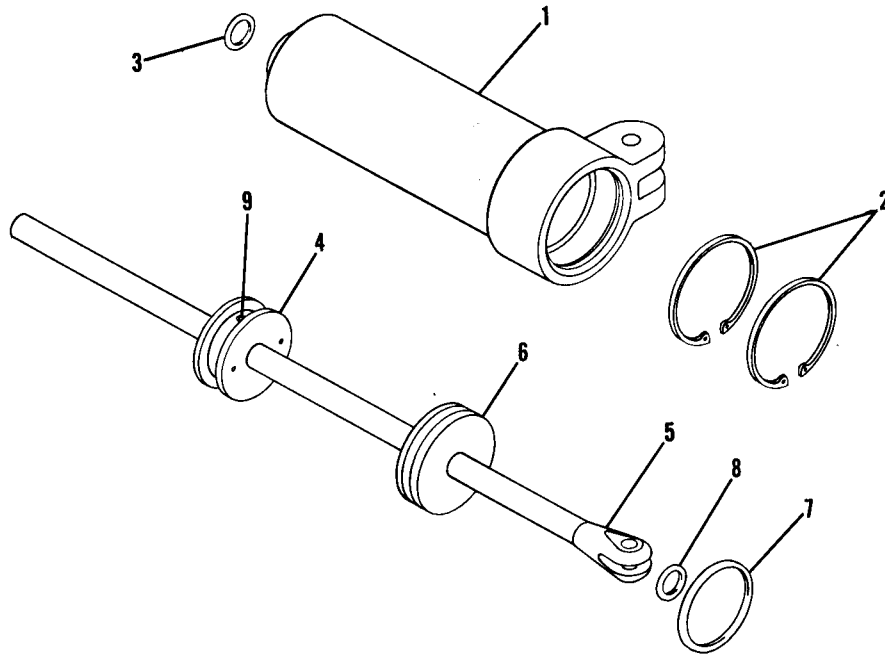
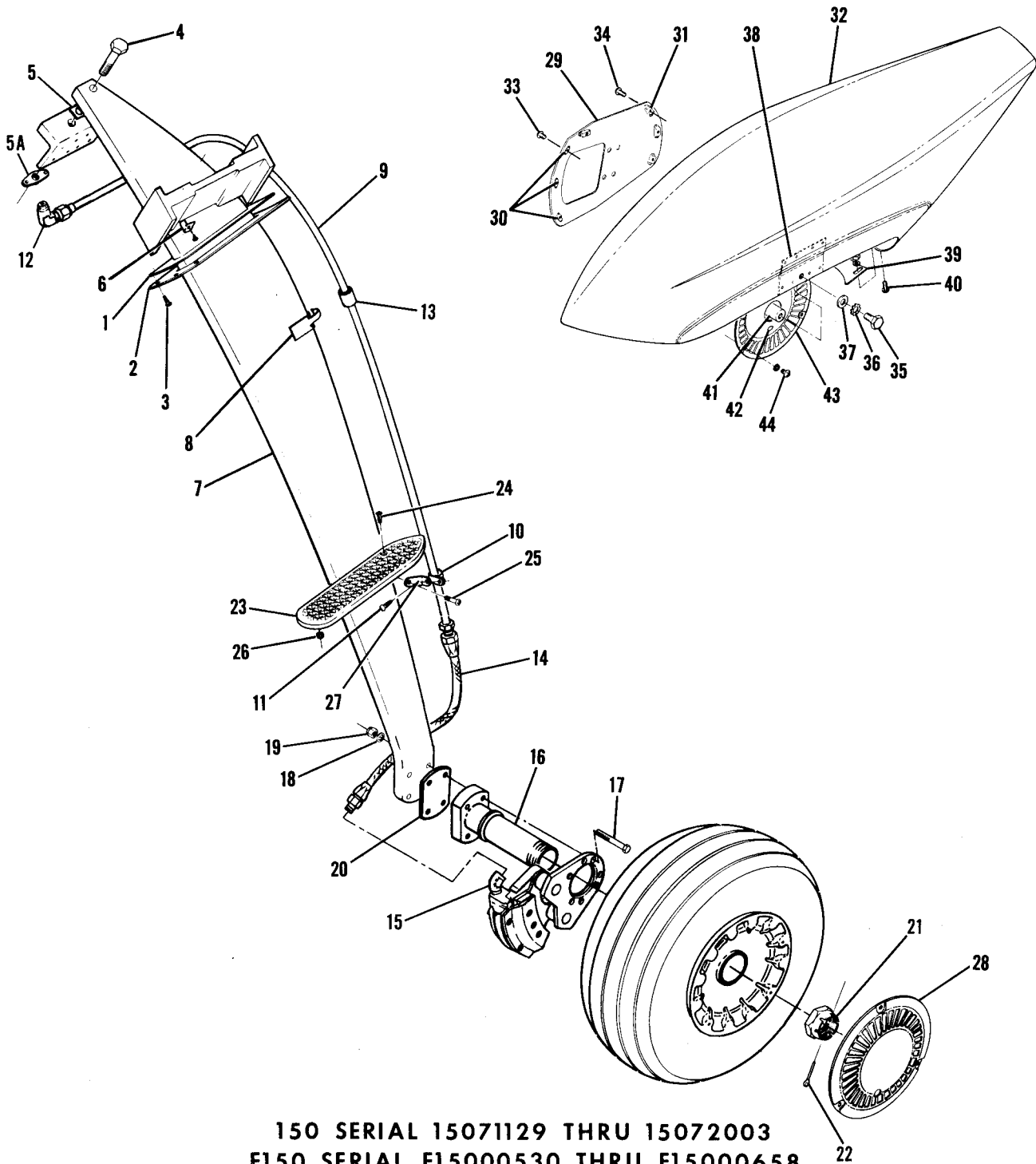


Figure 35. Shimmy Dampener Assembly

FIGURE AND INDEX NO.	PART NUMBER	DESCRIPTION	UNITS PER ASSY	USABLE ON CODE
		1 2 3 4 5 6 7		
35 -	0442512-1	DAMPENER ASSEMBLY-SHIMMY -----	1	
- 1	0542100-6	BARREL-SHIMMY DAMPENER -----	1	
- 2	MS16625-118	RING-RETAINING -----	2	
- 3	AN6227B6	O RING -----	1	
- 4	0542118-5	PISTON ASSY-SHIMMY DAMPENER -----	1	
- 5	0542101-1	SHAFT ASSEMBLY -----	1	
- 6	0542102-3	HEAD BEARING -----	1	
- 7	AN6227B18	O RING -----	1	
- 8	AN6227B6	O RING -----	1	
- 9	NAS561P4-14	ROLL PIN -----	1	

Alighting Gear (Cont)



150 SERIAL 15071129 THRU 15072003
 F150 SERIAL F15000530 THRU F15000658
 A150 SERIAL A1500001 THRU A1500226
 FA150 SERIAL FA1500001 THRU FA1500081

Figure 36. Main Landing Gear Installation

FIGURE AND INDEX NO.	PART NUMBER	DESCRIPTION	UNITS PER ASSY	USABLE ON CODE
		1 2 3 4 5 6 7		
36 -		MAIN LANDING GEAR INSTALLATION -----	NP	A
- 1	0441025-1	SEAL -----	2	
- 2	0441024-1	PLATE-LANDING GEAR FILLET LH -----	1	
	0441024-2	PLATE-LANDING GEAR FILLET RH -----	1	
		ATTACHING PARTS		
- 3	S102128-8	SCREW -----	6	
		-----*		
		MAIN LANDING GEAR ASSEMBLY-LH -----	NP	
		MAIN LANDING GEAR ASSEMBLY-RH -----	NP	
		ATTACHING PARTS		
- 4	AN6-16A	BOLT -----	1	
- 5	0541105	SHIM -----	AR	
- 5A	NAS680A6	NUTPLATE -----	1	
- 6	0441023-2	WEDGE .100 -----	2	
	0741022-1	SHIM -----	AR	
	NAS564-45	BOLT -----	2	
		-----*		
- 7	0441186-1	SPRING ASSEMBLY-LANDING GEAR LH -----	1	
	0441186-2	SPRING ASSEMBLY-LANDING GEAR RH -----	1	
	0441169	STEP BRACKET LH -----		
	0441169-2	STEP BRACKET RH -----	1	
- 8	1441001-3	CLIP-BRAKE LINE -----	1	
- 9	0400311-99	LINE-BRAKE LH & RH -----	1	
		ATTACHING PARTS		
-10	MS21919DG3	CLAMP -----	1	
-11	NAS220-6	SCREW -----	1	
	MS21044N08	NUT -----	1	
-12	AN833-3D	ELBOW -----	1	
-13	0441119	HOSE -----	1	
		-----*		
-14	S1810-1075	HOSE ASSEMBLY -----	1	
-15	AN914-1D	ELBOW -----	1	
-16	0541124	AXLE-MAIN LANDING GEAR -----	1	
		ATTACHING PARTS		
-17	AN5-21A	BOLT -----	2	
	AN5-22A	BOLT ALTERNATE -----	2	
	AN6-22A	BOLT -----	2	
	AN6-23A	BOLT ALTERNATE -----	2	
-18	AN960-516L	WASHER -----	AR	
	AN960-616L	WASHER -----	AR	
-19	MS21042L5	NUT -----	2	
	MS21042L6	NUT -----	2	
-20	0441139-5	SHIM-1 DEGREE CORRECTION -----	AR	
	0441139-6	SHIM-2 DEGREE CORRECTION -----	AR	
	0541111-2	SHIM -----	AR	
	0541157-1	SHIM -----	AR	
	0541157-2	SHIM -----	AR	
	0541157-3	SHIM -----	AR	
	1241061-1	SHIM -----	AR	
		-----*		
-21	S1117-24	NUT -----	1	
-22	MS24665-351	PIN-COTTER -----	1	
-23	0541154-1	STEP-CABIN ENTRANCE -----	1	
		ATTACHING PARTS		
-24	AN507-1032R10	SCREW -----	1	
-25	NAS221-9	SCREW -----	2	
-26	MS21044N3	NUT -----	3	
		-----*		
-27	0541156-1	STRAP-BRAKE LINE LH -----	1	
	0541156-2	STRAP-BRAKE LINE RH -----	1	
-28	0741048-8	CAP-MAIN GEAR HUB -----	1	
		ATTACHING PARTS		
	AN515-8R4	SCREW -----	3	
	AN936A8	WASHER -----	3	
		-----*		
	6241M	EXTENSION-VALVE DL -----	1	
	3680C	EXTENSION-VALVE ALTERNATE SV -----	1	
	SEE FIG 37	WHEEL & BRAKE ASSEMBLY-MAIN GEAR -----	1	

CONTINUED ON NEXT PAGE

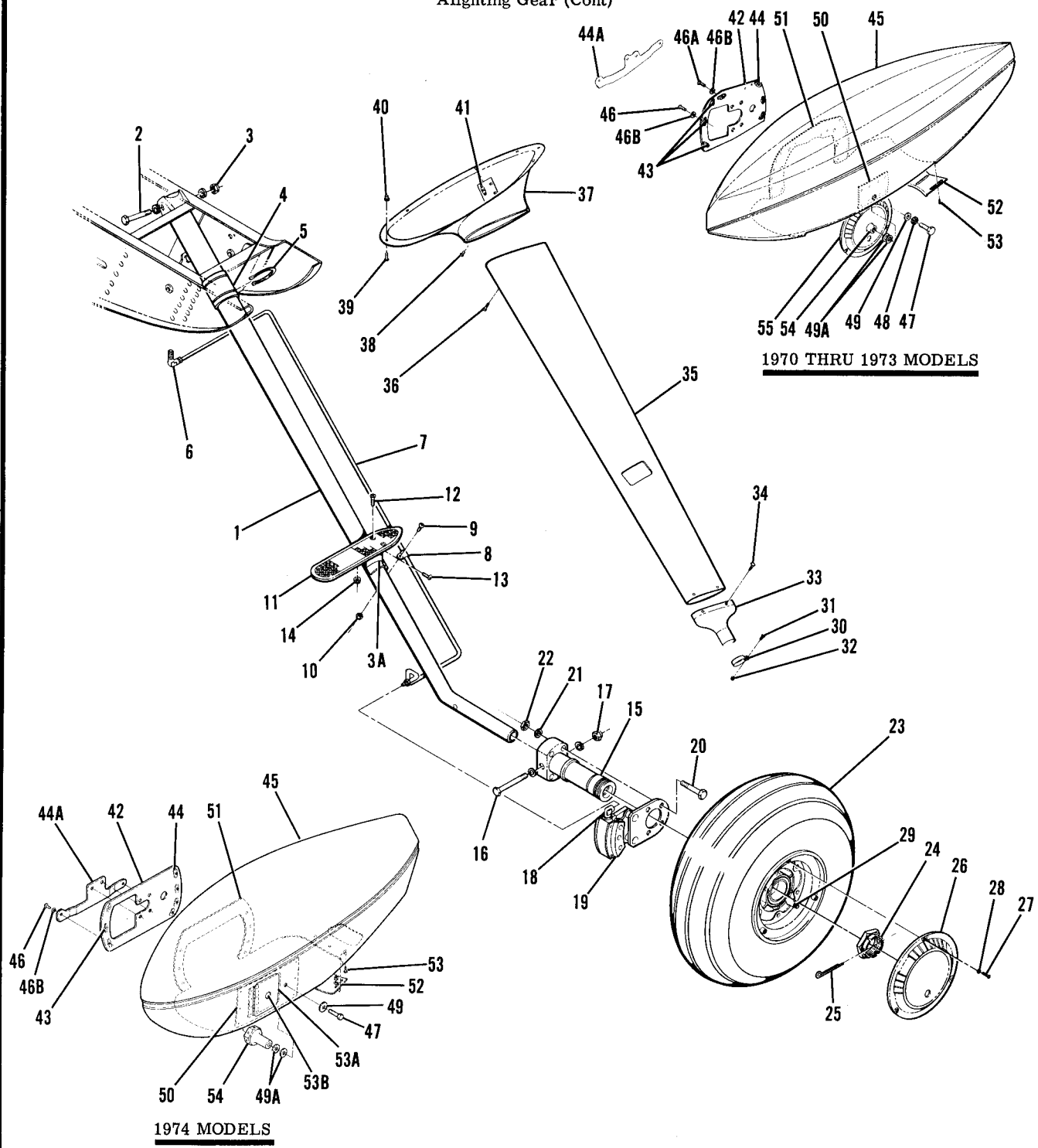
FIGURE AND INDEX NO.	PART NUMBER	DESCRIPTION	UNITS PER ASSY	USABLE ON CODE		
					1	2
36 -		SPEED FAIRING INSTALLATION -----	NP			
-29	0441201-1	PLATE ASSEMBLY-LH -----	1			
	0441201-2	PLATE ASSEMBLY-RH -----	1			
-30	NAS680A3K	NUTPLATE -----	3			
-31	NAS686A3	NUTPLATE -----	4			
-32	0741046-203	FAIRING ASSEMBLY-LH -----	1			
	0741046-202	FAIRING ASSEMBLY-RH -----	1			
		ATTACHING PARTS				
-33	AN520-10R5	SCREW -----	3			
-34	AN520-10R8	SCREW -----	4			
-35	AN6-6A	BOLT -----	1			
-36	AN936B616	WASHER -----	1			
-37	AN960-616L	WASHER -----	1			
		-----*				
-38	0741046-11	DOUBLER -----	1			
-39	0741046-14	SCRAPER-FAIRING -----	1			
		ATTACHING PARTS				
-40	AN520-10R10	SCREW -----	3			
	AN960-10	WASHER -----	3			
	MS21044N3	NUT -----	3			
		-----*				
-41	0741047-1	NUT -----	1			
	MS24665-362	PIN-COTTER -----	1			
-42	6241M	EXTENSION-VALVE DL -----	1			
	3680C	EXTENSION-VALVE ALTERNATE SV -----	1			
-43	0741048-7	CAP-WHEEL -----	1			
		ATTACHING PARTS				
-44	AN515-8R4	SCREW -----	3			
	AN936A8	WASHER -----	3			
		-----*				
		A---150 SERIAL 15071129 THRU 15072003				
		F150 SERIAL F15000530 THRU F15000658				
		A150 SERIAL A1500001 THRU A1500226				
		FA150 SERIAL FA1500001 THRU FA1500081				



FIGURE AND INDEX NO.	PART NUMBER	DESCRIPTION	UNITS PER ASSY	USABLE ON CODE		
					1	2
36A-		MAIN LANDING GEAR INSTALLATION	NP	A		
- 1	0441212-1	SPRING ASSEMBLY-LANDING GEAR LH WEU 0441212-5	1	L		
	0441212-2	SPRING ASSEMBLY-LANDING GEAR RH WEU 0441212-6	1	L		
	0441212-5	SPRING ASSEMBLY-LANDING GEAR LH	1	M		
	0441212-6	SPRING ASSEMBLY-LANDING GEAR RH	1	M		
		ATTACHING PARTS				
- 2	0441221-1	BOLT	1			
	AN960-516L	WASHER	2			
- 3	MS20365-524	NUT	1			
		-----*				
- 3A	0441214-7	BRACKET ASSY-STEP LH	1			
	0441214-8	BRACKET ASSY-STEP RH	1			
- 4	0441224-1	BUSHING	2			
- 5	MS16624-1206	SNAP RING	4			
- 6	AN833-30	ELBOW	2			
- 7	0400311-107	LINE ASSEMBLY-BRAKE LH INSTALLED AFT OF GEAR	1	D		
		WEU 0400311-109				
	0400311-109	LINE ASSEMBLY-BRAKE LH INSTALLED FWD OF GEAR	1	E		
	0400311-106	LINE ASSEMBLY-BRAKE RH INSTALLED AFT OF GEAR	1	D		
		WEU 0400311-108				
	0400311-108	LINE ASSEMBLY-BRAKE RH INSTALLED FWD OF GEAR	1	E		
		ATTACHING PARTS				
- 8	MS21919DG3	CLAMP USED WITH 0430011-106 & -107 LINES	1	D		
	AN735D24	CLAMP USED WITH 0400311-108 & -109 LINES	1	E		
	S1071-3	TUBE-1.0 IN LG BKI REF S1071-3-1.0	1	E		
- 9	NAS220-6	SCREW	1	D		
	NAS221-6	SCREW	1	E		
-10	MS21044N08	NUT	1	D		
	MS21044N3	NUT	1	E		
		-----*				
-11	0541154-1	STEP-CABIN ENTRANCE WEU 0541211-1	2	B		
	0541154-2	STEP-CABIN ENTRANCE WEU 0541211-1	2	C		
	0541211-1	STEP-CABIN ENTRANCE	2	K		
		ATTACHING PARTS				
-12	AN507-1032R10	SCREW	1			
-13	NAS221-9	SCREW	2			
-14	MS21044N3	NUT	3			
		-----*				
-15	0441203-1	AXLE-MAIN LANDING GEAR	2			
		ATTACHING PARTS				
-16	0441221-1	BOLT	1			
	AN960-516L	WASHER	2			
-17	MS20365-524	NUT	1			
		-----*				
-18	MS20822-30	ELBOW	2			
-19	SEE FIG 37A	BRAKE ASSEMBLY	2			
	SEE FIG 37B	BRAKE ASSEMBLY ALTERNATE	2			
		ATTACHING PARTS				
-20	AN5-12A	BOLT UPPER	2			
	AN6-13A	BOLT LOWER	2			
-21	AN960-516L	WASHER UPPER	2			
	AN960-616L	WASHER LOWER	2			
-22	MS21042L5	NUT UPPER	2			
	MS21042L6	NUT LOWER	2			
		-----*				
-23	SEE FIG 37A	WHEEL & TIRE ASSEMBLY	NP			
	SEE FIG 37B	WHEEL & TIRE ASSEMBLY ALTERNATE	NP			
-24	S1117-24	NUT	2			
-25	MS24665-351	PIN-COTTER	2			
-26	0741048-8	CAP-MAIN GEAR HUB	2			
		ATTACHING PARTS				
-27	AN515-8R4	SCREW USE WITH C163001-0103, C163002-0101 & C163001-0104 WHEEL ASSEMBLIES	3			
	S2191-8-4	SCREW USE WITH C163003-0101 WHEEL ASSY	3			
-28	AN936A8	WASHER	3			
		-----*				
-29	6241M	EXTENSION-VALVE DL	2			
	3680C	EXTENSION-VALVE ALTERNATE SV	2			
-30	AN735D18	CLAMP	2			
		ATTACHING PARTS				
-31	NAS221-6	SCREW	1			
-32	MS21044N3	NUT	1			
		-----*				

CONTINUED ON NEXT PAGE

Alighting Gear (Cont)



150 SERIAL 15072004 THRU 15075781
 F150 SERIAL F15000659 THRU F15001143
 A150 SERIAL A1500227 THRU A1500523
 FA150 SERIAL FA1500082 THRU FA1500261

Figure 36A. Main Landing Gear Installation

FIGURE AND INDEX NO.	PART NUMBER	DESCRIPTION	UNITS PER ASSY	USABLE ON CODE
36A-33	0441218-1	COVER PLATE-MAIN GEAR SPRING FAIRING LH -----	1	
	0441218-2	COVER PLATE-MAIN GEAR SPRING FAIRING RH -----	1	
-34	AN515-6R6	ATTACHING PARTS SCREW -----	2	
-35	0441216-1	FAIRING ASSEMBLY-MAIN GEAR SPRING LH WEU 0441216-5 -----	1	H
	0441216-5	FAIRING ASSEMBLY-MAIN GEAR SPRING LH -----	1	J
	0441216-2	FAIRING ASSEMBLY-MAIN GEAR SPRING RH WEU 0441216-6 -----	1	H
	0441216-6	FAIRING ASSEMBLY-MAIN GEAR SPRING RH -----	1	J
-36	S102128-6	ATTACHING PARTS SCREW -----	9	H
	AN515-8R6	SCREW -----	9	J
-37	NAS395-14-3	NUT -----	9	H
	NAS680A08	NUTPLATE -----	9	J
	NAS696A06L	NUTPLATE -----	2	
	0441217-3	FAIRING ASSEMBLY-MAIN GEAR LH WEU 0441217-11 -----	1	H
	0441217-11	FAIRING ASSEMBLY-MAIN GEAR LH WEU 0441217-215 -----	1	N
	0441217-215	FAIRING ASSEMBLY-MAIN GEAR LH VESTAL WHITE ONLY -----	1	P
	0441217-19	FAIRING ASSEMBLY-MAIN GEAR LH USED ON AIRCRAFT ----- REQUIRING PAINTED COLOR OTHER THAN VESTAL WHITE	1	S
	0441217-4	FAIRING ASSEMBLY-MAIN GEAR RH WEU 0441217-12 -----	1	H
	0441217-12	FAIRING ASSEMBLY-MAIN GEAR RH WEU 0441217-214 -----	1	N
	0441217-214	FAIRING ASSEMBLY-MAIN GEAR RH VESTAL WHITE ONLY -----	1	P
0441217-18	FAIRING ASSEMBLY-MAIN GEAR RH USED ON AIRCRAFT ----- REQUIRING PAINTED COLOR OTHER THAN VESTAL WHITE	1	S	
-38	S102126-4	ATTACHING PARTS SCREW -----	2	H
	AN515-6R4	SCREW -----	2	J
-39	AN515-8R12	SCREW -----	7	
-40	S1613-08-75	RIVNUT -----	7	
-41	S1863-2A	NUTPLATE -----	2	H
	NAS680A06	NUTPLATE -----	2	J
-42	0441201-5	PLATE ASSEMBLY-MAIN GEAR WHEEL FAIRING LH -----	1	Q
	0441225-1	PLATE ASSEMBLY-MAIN GEAR WHEEL FAIRING LH -----	1	R
	0441201-6	PLATE ASSEMBLY-MAIN GEAR WHEEL FAIRING RH -----	1	Q
	0441225-2	PLATE ASSEMBLY-MAIN GEAR WHEEL FAIRING RH -----	1	R
-43	NAS680A3K	NUTPLATE -----	3	
-44	NAS686A3	NUTPLATE -----	4	
-44A	0441220-1	STIFFENER-WHEEL FAIRING LH -----	1	Q
	0441226-1	STIFFENER-WHEEL FAIRING LH -----	1	R
	0441220-2	STIFFENER-WHEEL FAIRING RH -----	1	Q
	0441226-2	STIFFENER-WHEEL FAIRING RH -----	1	R
-45	0541203-1	FAIRING ASSEMBLY-MAIN GEAR WHEEL LH -----	1	Q
	0541223-1	FAIRING ASSEMBLY-MAIN GEAR WHEEL LH -----	1	R
	0541203-2	FAIRING ASSEMBLY-MAIN GEAR WHEEL RH -----	1	Q
	0541223-2	FAIRING ASSEMBLY-MAIN GEAR WHEEL RH -----	1	R
-46	AN525-10R10	ATTACHING PARTS SCREW -----	3	Q
	AN525-10R10	SCREW -----	7	R
-46A	AN525-10R12	SCREW -----	4	Q
-46B	S1450-309-032	WASHER -----	7	
-47	AN6-6A	BOLT -----	1	
-48	AN936B616	WASHER -----	1	F
-49	AN960-616L	WASHER -----	1	
-49A	AN960-616	WASHER -----	2	
-50	0541207-1	DOUBLER -----	1	Q
	0541222-1	DOUBLER -----	1	R
-51	0541206-1	DOUBLER -----	1	Q
	0541219-1	DOUBLER-LH -----	1	R
	0541219-2	DOUBLER-RH -----	1	R
-52	0541205-1	SCRAPER -----	1	Q
	0541221-1	SCRAPER -----	1	R
-53	AN520-10R16	ATTACHING PARTS SCREW -----	3	Q
	AN520-10R12	SCREW -----	3	R
	AN960-10	WASHER -----	6	
	MS21044N3	NUT -----	3	
-53A	0541223-13	DOOR ASSEMBLY-WHEEL FAIRING ACCESS -----	1	R
-53B	KM610-64	LATCH-WHEEL FAIRING DOOR -----	1	R

CONTINUED ON NEXT PAGE

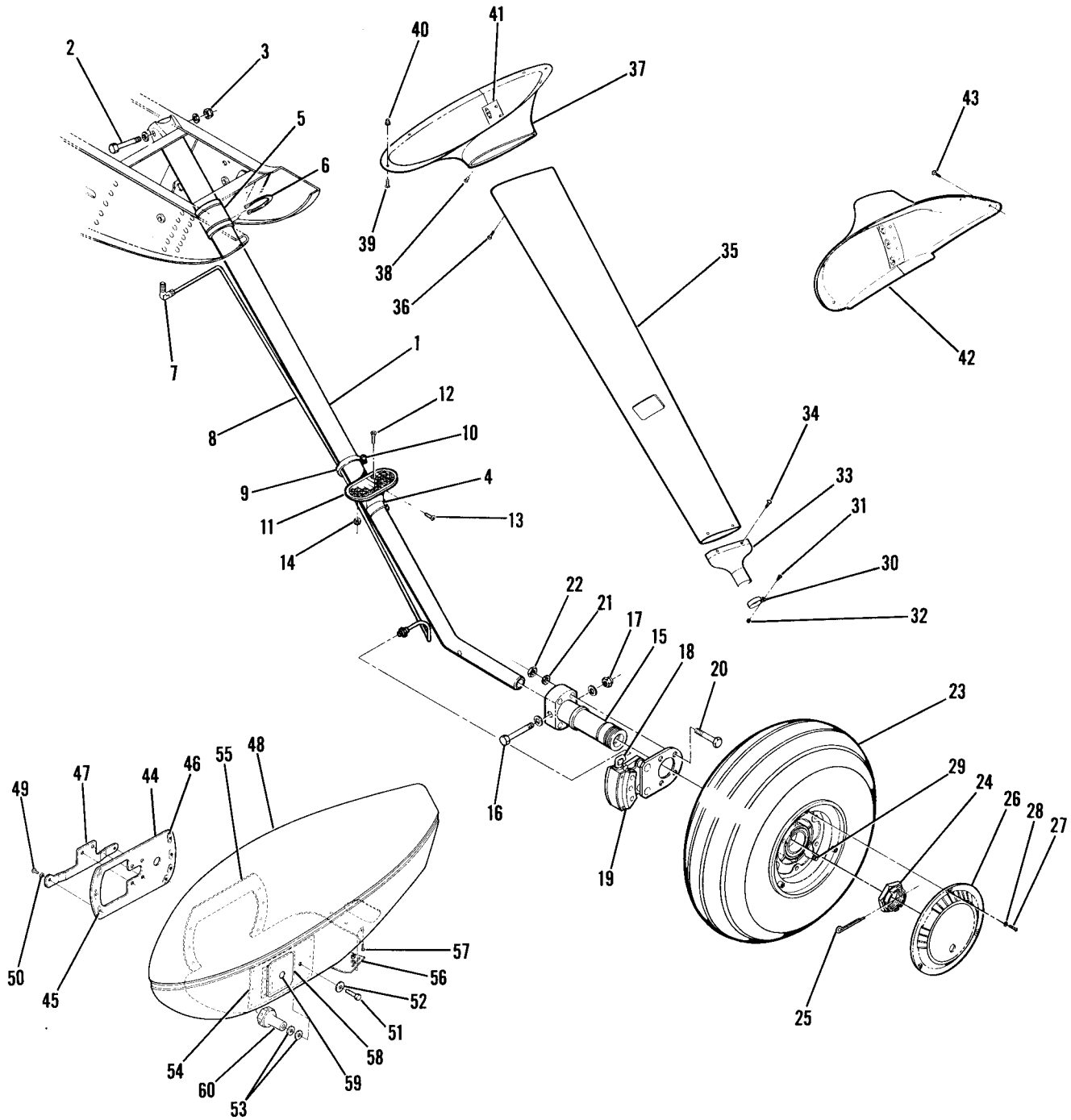
FIGURE AND INDEX NO.	PART NUMBER	DESCRIPTION	UNITS PER ASSY	USABLE ON CODE
36A-54 -55	0741047-1	NUT WEU 0741047-2 -----	2	F
	0741047-2	NUT -----	2	G
	MS24665-362	PIN-COTTER -----	2	
	0741048-7	CAP-WHEEL -----	2	Q
		ATTACHING PARTS		
	AN515-8R4	SCREW -----	3	Q
	AN936A8	WASHER -----	3	Q
		---*---		
		A---150 SERIAL 15072004 THRU 15075781 F150 SERIAL F15000659 THRU F15001143 A150 SERIAL A1500227 THRU A1500523 FA150 SERIAL FA1500082 THRU FA1500261		
		B---150 SERIAL 15072004 THRU 15072434 F150 SERIAL F15000659 THRU F15000738 A150 SERIAL A1500227 THRU A1500257 FA150 SERIAL FA1500082 THRU FA1500161		
		C---150 SERIAL 15072435 THRU 15073181 F150 SERIAL F15000739 THRU F15000818 A150 SERIAL A15000258 THRU A1500320		
		D---150 SERIAL 15072004 THRU 15072546 F150 SERIAL F15000659 THRU F15000738 A150 SERIAL A1500227 THRU A1500265 FA150 SERIAL FA1500082 THRU FA1500161		
		E---150 SERIAL 15072547 THRU 15075781 F150 SERIAL F15000739 THRU F1500143 A150 SERIAL A1500266 THRU A1500523 FA150 SERIAL FA1500162 THRU FA1500261		
		F---150 SERIAL 15072004 THRU 15073146 F150 SERIAL F15000659 THRU F15000863 A150 SERIAL A1500227 THRU A1500318 FA150 SERIAL FA1500082 THRU FA1500166		
		G---150 SERIAL 15073147 THRU 15075781 F150 SERIAL F15000864 THRU F15001143 A150 SERIAL A1500319 THRU A1500523 FA150 SERIAL FA1500167 THRU FA1500261		
		H---150 SERIAL 15072004 THRU 15073084 F150 SERIAL F15000659 THRU F15000818 A150 SERIAL A1500227 THRU A1500312 FA150 SERIAL FA1500082 THRU FA1500161		
		J---150 SERIAL 15073085 THRU 15075781 F150 SERIAL F15000819 THRU F15001143 A150 SERIAL A1500313 THRU A1500523 FA150 SERIAL FA1500162 THRU FA1500261		
		K---150 SERIAL 15073182 THRU 15075781 F150 SERIAL F15000819 THRU F15001143 A150 SERIAL A1500321 THRU A1500523 FA150 SERIAL FA1500162 THRU FA1500261		
		L---150 SERIAL 15072004 THRU 15073284 F150 SERIAL F15000659 THRU F15000833 A150 SERIAL A1500227 THRU A1500334 FA150 SERIAL FA1500082 THRU FA1500166		
		M---150 SERIAL 15073285 THRU 15075781 F150 SERIAL F15000834 THRU F15001143 A150 SERIAL A1500325 THRU A1500523 FA150 SERIAL FA1500167 THRU FA1500261		
		N---150 SERIAL 15073085 THRU 15074816 F150 SERIAL F15000819 THRU F1501073 A150 SERIAL A1500313 THRU A1500430 FA150 SERIAL FA1500162 THRU FA1500236		
		P---150 SERIAL 15074817 THRU 15075781 F150 SERIAL F1501074 THRU F15001143 A150 SERIAL A1500431 THRU A1500523 FA150 SERIAL FA1500236 THRU FA1500261		
		Q---150 SERIAL 15072004 THRU 15074850 F150 SERIAL F15000659 THRU F15001013 A150 SERIAL A1500227 THRU A1500429 FA150 SERIAL FA1500082 THRU FA1500211		
		R---150 SERIAL 15074851 THRU 15075781 F150 SERIAL F15001014 THRU F15001143 A150 SERIAL A1500430 THRU A1500523 FA150 SERIAL FA1500212 THRU FA1500261		
		S---150 SERIAL 15073659 THRU 15075781		



FIGURE AND INDEX NO.	PART NUMBER	DESCRIPTION	UNITS	USABLE
			PER ASSY	ON CODE
36B-		1 2 3 4 5 6 7		
- 1	0441212-5 0441212-6	MAIN LANDING GEAR INSTALLATION ----- SPRING ASSY-LANDING GEAR LH ----- SPRING ASSY-LANDING GEAR RH ----- ATTACHING PARTS	NP 1 1	A
- 2	0441221-1 AN960-516L	BOLT ----- WASHER -----	1 2	
- 3	MS20365-524	NUT ----- -----*-----	1	
- 4	0441214-7 0441214-8	BRACKET ASSY-STEP LH ----- BRACKET ASSY-STEP RH -----	1 1	
- 5	0441224-1	BUSHING -----	2	
- 6	MS16624-1206	SNAP RING -----	2	
- 7	AN833-3D	ELBOW -----	2	
- 8	0400311-109 0400311-108	LINE ASSY-BRAKE LH ----- LINE ASSY-BRAKE RH ----- ATTACHING PARTS	1 1	
- 9	AN735D24 S1071-3	CLAMP ----- TUBE-1.0 IN LG BKI -----	1 1	
-10	NAS221-6 MS21044N3	SCREW ----- NUT ----- -----*-----	1 1	
-11	0541211-1	STEP-CABIN ENTRANCE ----- ATTACHING PARTS	2	
-12	AN507-1032R10	SCREW -----	1	
-13	NAS221-9	SCREW -----	2	
-14	MS21044N3	NUT ----- -----*-----	3	
-15	0441203-1	AXLE-MAIN LANDING GEAR ----- ATTACHING PARTS	2	
-16	0441221-1 AN960-516L	BOLT ----- WASHER -----	1 2	
-17	MS20365-524	NUT ----- -----*-----	1	
-18	MS20822-3D	ELBOW -----	2	
-19	SEE FIG 37A SEE FIG 37B	BRAKE ASSY ----- BRAKE ASSY ALTERNATE ----- ATTACHING PARTS	2 2	
-20	AN5-12A AN6-13A	BOLT UPPER ----- BOLT LOWER -----	2 2	
-21	AN960-516L AN960-616L	WASHER UPPER ----- WASHER LOWER -----	2 2	
-22	MS21042L5 MS21042L6	NUT UPPER ----- NUT LOWER ----- -----*-----	2 2	
-23	SEE FIG 37A SEE FIG 37B	WHEEL & TIRE ASSY ----- WHEEL & TIRE ASSY ALTERNATE -----	NP NP	
-24	S1117-24	NUT -----	2	
-25	MS24665-351	PIN-COTTER -----	2	
-26	0741048-8	CAP-MAIN GEAR HUB ----- ATTACHING PARTS	2	
-27	S2191-8-4 AN515-8R4	SCREW USE WITH C163003-0101 WHEEL ASSY ----- SCREW USE WITH C163001-0104 WHEEL ASSY -----	3 3	
-28	AN936A8	WASHER ----- -----*-----	3	
-29	624M 3680C	EXTENSION-VALVE DL ----- EXTENSION-VALVE ALTERNATE SV -----	2 2	
-30	AN735D18	CLAMP ----- ATTACHING PARTS	2	
-31	NAS221-6	SCREW -----	1	
-32	MS21044N3	NUT ----- -----*-----	1	

CONTINUED ON NEXT PAGE

Alighting Gear (Cont)



150 SERIAL 15075782 & ON
F150 SERIAL F15001144 & ON
A150 SERIAL A1500524 & ON
FA150 SERIAL FA1500262 & ON

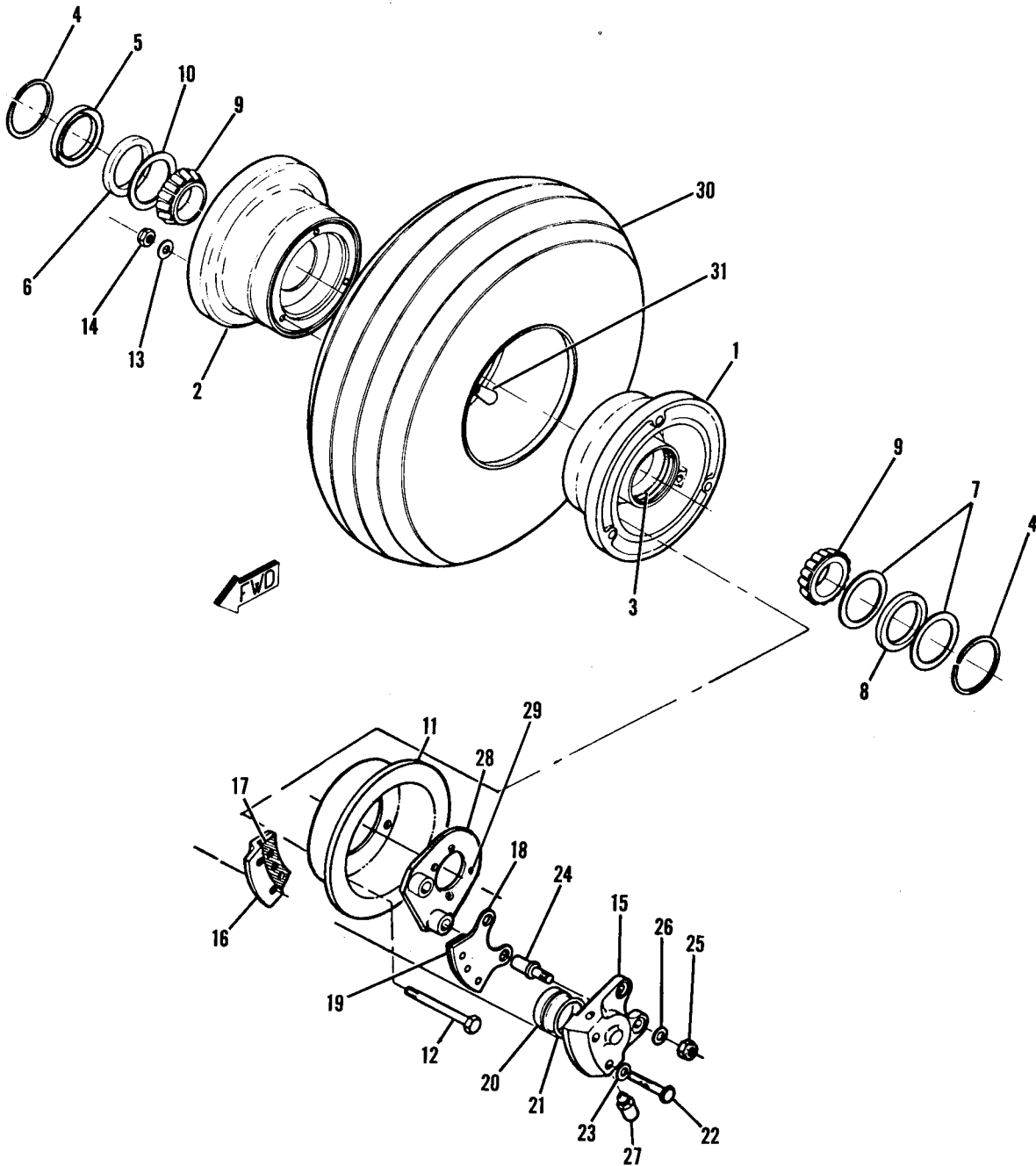
Figure 36B. Main Landing Gear Installation



FIGURE AND INDEX NO.	PART NUMBER	DESCRIPTION	UNITS PER ASSY	USABLE ON CODE		
					1	2
36B-33	0441218-1 0441218-2	COVER PLATE-MAIN GEAR SPRING FAIRING LH COVER PLATE-MAIN GEAR SPRING FAIRING RH	1 1			
-34	AN515-6R6	ATTACHING PARTS SCREW	2			
-35	0441216-5 0441216-6	FAIRING ASSY-MAIN GEAR SPRING LH FAIRING ASSY-MAIN GEAR SPRING RH	1 1			
-36	AN515-8R6	ATTACHING PARTS SCREW	9			
	NAS680A08	NUTPLATE	9			
	NAS696A06L	NUTPLATE	2			
-37	0441217-215 0441217-19	FAIRING ASSY-MAIN GEAR LH VESTAL WHITE ONLY FAIRING ASSY-MAIN GEAR LH USED ON AIRCRAFT REQUIRING PAINTED COLOR OTHER THAN VESTAL WHITE	1 1	B		
	0441217-214 0441217-18	FAIRING ASSY-MAIN GEAR RH VESTAL WHITE ONLY FAIRING ASSY-MAIN GEAR RH USED ON AIRCRAFT REQUIRING PAINTED COLOR OTHER THAN VESTAL WHITE	1 1	B		
-38	AN515-6R4	ATTACHING PARTS SCREW	2			
-39	AN515-8R12	SCREW	7			
-40	S1613-08-75	RIVNUT	7			
-41	NAS680A06	NUTPLATE	2			
-42	0441227-1 0441227-2	FAIRING ASSY-BRAKE LH FAIRING ASSY-BRAKE RH	1 1			
-43	AN525-832R10 S102126-6	ATTACHING PARTS SCREW SCREW	6 3			
-44	0441225-1 0441225-2	PLATE ASSY-MAIN GEAR WHEEL FAIRING LH PLATE ASSY-MAIN GEAR WHEEL FAIRING RH	1 1			
-45	NAS680A3K	NUTPLATE	3			
-46	NAS686A3	NUTPLATE	4			
-47	0441226-1 0441226-2	STIFFENER-WHEEL FAIRING LH STIFFENER-WHEEL FAIRING RH	1 1			
-48	0541223-17 0541223-16	FAIRING ASSY-MAIN GEAR WHEEL LH FAIRING ASSY-MAIN GEAR WHEEL RH	1 1			
-49	AN525-10R10	ATTACHING PARTS SCREW	7			
-50	S1450-309-032	WASHER	7			
-51	AN6-6A	BOLT	1			
-52	AN960-616L	WASHER	1			
-53	AN960-616	WASHER	2			
-54	0541222-1	DOUBLER	1			
-55	0541219-1 0541219-2	DOUBLER-LH DOUBLER-RH	1 1			
-56	0541221-1	SCRAPER	1			
-57	AN520-10R12 AN960-10 MS21044N3	ATTACHING PARTS SCREW WASHER NUT	3 6 3			
-58	0541223-13	DOOR ASSY-WHEEL FAIRING ACCESS	1			
-59	KM610-64 NAS680A08	LATCH-WHEEL FAIRING DOOR NUTPLATE ATTACH BRAKE FAIRING	1 6			
-60	0741047-2 MS24665-362	NUT PIN-COTTER	2 2			

A---150 SERIAL 15075782 & ON
 F150 SERIAL F1500144 & ON
 A150 SERIAL A1500524 & ON
 FA150 SERIAL FA1500262 & ON
 B---150 SERIAL 15075782 & ON

Alighting Gear (Cont)



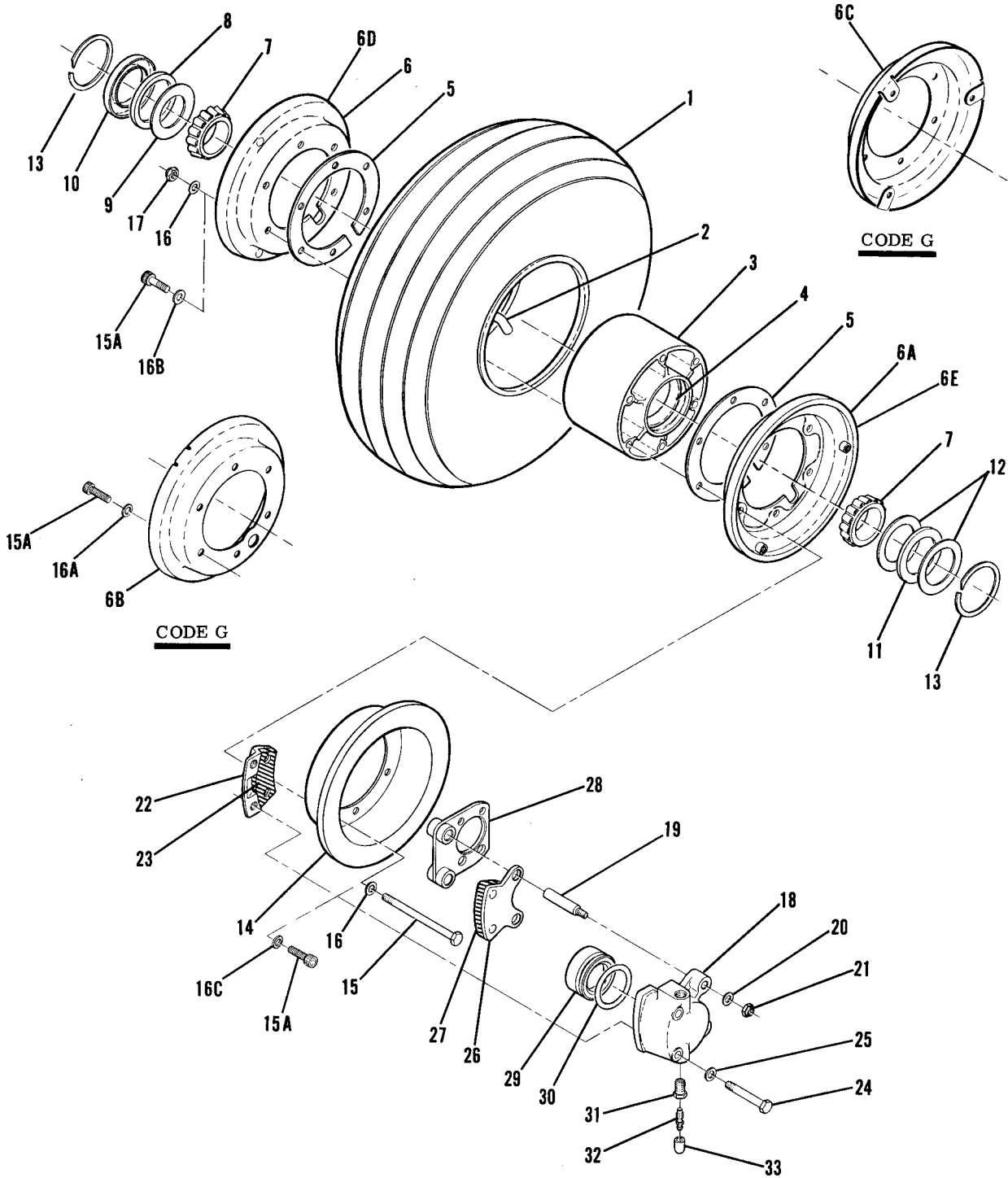
150 SERIAL 15071129 THRU 15072003
F150 SERIAL F15000530 THRU F15000658
A150 SERIAL A1500001 THRU A1500226
FA150 SERIAL FA1500001 THRU FA1500081

Figure 37. Main Gear Wheel & Brake Assembly



FIGURE AND INDEX NO.	PART NUMBER	DESCRIPTION	UNITS PER ASSY	USABLE ON CODE
		1 2 3 4 5 6 7		
37 -	C163001-0103	WHEEL & BRAKE ASSEMBLY—MAIN LANDING GEAR -----	NP	A
- 1	161-03000	WHEEL ASSEMBLY—MAIN GEAR CFP 40-97A -----	1	
- 2	162-02700	WHEEL HALF ASSEMBLY—MALE CFP -----	1	
- 3	214-00100	WHEEL HALF ASSEMBLY—FEMALE CFP -----	1	
- 4	155-00100	CUP—BEARING CFP -----	1	
- 5	153-01500	SNAP RING CFP -----	1	
- 6	154-01300	RING—GREASE SEAL CFP -----	1	
- 7	153-00400	FELT—GREASE SEAL CFP -----	1	
- 8	154-00300	RING—GREASE SEAL CFP -----	2	
- 9	154-00300	FELT—GREASE SEAL CFP -----	1	
- 9	214-00200	CONE—BEARING CFP -----	2	
-10	153-00300	RING—GREASE SEAL CFP -----	1	
-11	164-02601	DISC ASSEMBLY—BRAKE CFP -----	1	
-12	AN5-35A	BOLT -----	3	
-13	AN960-516	WASHER -----	3	
-14	AN365-524	NUT -----	3	
	C163030-0107 *	BRAKE ASSY—MAIN GEAR CFP 30-63 -----	1	
	091-02200	CYLINDER ASSY—BRAKE CFP -----	1	
-15	061-01900	CYLINDER CFP -----	1	
-16	074-01000	BACK PLATE ASSEMBLY CFP -----	1	
-17	066-03000	LINING—BRAKE CFP -----	1	
	105-00200	RIVET CFP -----	2	
-18	073-01100	PRESSURE PLATE ASSEMBLY CFP -----	1	
-19	066-03000	LINING—BRAKE CFP -----	1	
	105-00200	RIVET CFP -----	2	
-20	092-01700	PISTON ASSEMBLY CFP -----	1	
-21	AN6230B2	O RING -----	1	
-22	103-11600	BOLT CFP -----	2	
-23	AN960-416L	WASHER -----	2	
-24	069-00400	BOLT—ANCHOR CFP -----	2	
-25	AN365-428	NUT -----	2	
-26	AN960-416L	WASHER -----	2	
-27	079-00300	SCREW—BLEEDER CFP -----	1	
	183-00100	CAP—BLEEDER SCREW CFP -----	1	
	081-00100	SEAT—BLEEDER SCREW CFP -----	1	
-28	075-03700	TORQUE PLATE ASSEMBLY CFP -----	1	
-29	145-01000	BUSHING—TORQUE PLATE CFP -----	2	
-30	C262003-0101	TIRE—BLACKWALL 6.00X6 4 PLY RATED -----	1	
	C262001-0101	TIRE—WHITEWALL 6.00X6 4 PLY RATED WEU C262001-0201 -----	1	
	C262001-0201	TIRE—WHITEWALL 6.00X6 6 PLY RATED -----	1	
-31	C262023-0102	TUBE—6.00X6 -----	1	
	R561	RIVET SET KIT -----	1	
<p>NOTE. *BRAKE ASSEMBLY DESCRIBED IS NORMALLY LH REVERSE FITTINGS AND TORQUE PLATE BUSHING FOR RH INSTALLATION.</p> <p>A---150 SERIAL 15071129 THRU 15072003 F150 SERIAL F15000530 THRU F15000658 A150 SERIAL A1500001 THRU A1500226 FA150 SERIAL FA1500001 THRU FA1500081</p>				

Aligning Gear (Cont)



150 SERIAL 15072004 & ON
F150 SERIAL F15000659 & ON
A150 SERIAL A1500227 & ON
FA150 SERIAL FA1500082 & ON

Figure 37A. Main Gear Wheel & Brake Assembly

FIGURE AND INDEX NO.	PART NUMBER	DESCRIPTION	UNITS PER ASSY	USABLE ON CODE
		1 2 3 4 5 6 7		
37A-		WHEEL & BRAKE ASSEMBLY-MAIN LANDING GEAR -----	NP	A
- 1	C262003-0101	TIRE-BLACKWALL 6.00X6 4 PLY RATED -----	1	
	C262001-0101	TIRE-WHITEWALL 6.00X6 4 PLY RATED -----	1	B
		WEU C262001-0201 -----		
	C262001-0201	TIRE-WHITEWALL 6.00X6 6 PLY RATED -----	1	B
	C262004-0102	TIRE-WHITEWALL 6.00X6 4 PLY RATED -----	1	C
- 2	C262023-0102	TUBE 6.00X6 -----	1	
	C163002-0101 *	WHEEL ASSEMBLY-MAIN GEAR WEU C163003-0101 -----	1	D
	C163003-0101	WHEEL ASSEMBLY-MAIN GEAR WEU C163003-0102 -----	1	F
	C163003-0102 *	WHEEL ASSEMBLY-MAIN GEAR WEU C163004-0104 -----	1	H
	C163004-0104 *	WHEEL ASSEMBLY-MAIN GEAR -----	1	J
- 3	D30065	HUB ASSEMBLY USE WITH C163002-0101 MCL -----	1	D
	D30256	HUB ASSEMBLY USE WITH C163003-0101 MCL -----	1	E
- 4	A30079-1	CUP-BEARING MCL -----	2	
- 5	B30076	SPACER MCL -----	2	
- 6	D30062-1	FLANGE-WHEEL USE WITH C163002-0101 MCL -----	1	D
- 6A	D30129	FLANGE-WHEEL USE WITH C163002-0101 MCL -----	1	D
- 6B	C30163-1	FLANGE-WHEEL USE WITH C163003-0101 MCL -----	1	F
	C30163-6	FLANGE-WHEEL USE WITH C163003-0102 MCL -----	1	H
- 6C	C30163	FLANGE-WHEEL USE WITH C163003-0101 MCL -----	1	F
	C30163-4	FLANGE-WHEEL USE WITH C163003-0102 MCL -----	1	H
- 6D	D30222-6	FLANGE-WHEEL USE WITH C163004-0104 MCL -----	1	J
- 6E	D30210	FLANGE-WHEEL USE WITH C163004-0104 MCL -----	1	J
- 7	A30079-2	CONE-BEARING MCL -----	2	
- 8	A30010	GREASE SEAL-FELT MCL -----	1	
- 9	A30015	RETAINER-GREASE SEAL MCL -----	1	
-10	A30014	RETAINER-GREASE SEAL MCL -----	1	
-11	A30011	GREASE SEAL-FELT MCL -----	1	
-12	A30013	RETAINER-GREASE SEAL MCL -----	2	
-13	A1636-24	RING-RETAINER MCL -----	2	
-14	B30007	DISC ASSEMBLY USE WITH C163002-0101 MCL -----	1	D
	B30195	DISC ASSY USE WITH C163003-0101 & C163003-0102 MCL -----	1	G
	B30440	DISC ASSY USE WITH C163004-0104 MCL -----	1	J
-15	AN4-41A	BOLT USE WITH C163002-0101 -----	6	D
-15A	A1635-73	SCREW USE WITH C163003-0101 & C163003-0102 MCL -----	12	G
	A1635-79	SCREW USE WITH C163004-0104 MCL -----	12	J
-16	AN960-416L	WASHER USE WITH C163002-0101 -----	12	D
-16A	A1638-30	WASHER USE WITH C163003-0101 & C163003-0102 MCL -----	6	G
-16B	A1638-1	WASHER USE WITH C163004-0104 MCL -----	6	J
-16C	A1638-1	WASHER USE WITH C163004-0104 MCL -----	6	E
-17	MS21042L4	NUT USE WITH C163002-0101 -----	6	D
	C163032-0103 **	BRAKE ASSY-MAIN GEAR WEU C163032-0107 -----	1	K
	C163032-0107 **	BRAKE ASSY-MAIN GEAR -----	1	L
-18	C30019	CYLINDER ASSY-BRAKE MCL -----	1	
-19	A30023	PIN-GUIDE MCL -----	2	
-20	AN960-416L	WASHER -----	2	
-21	MS21042L4	NUT -----	2	
-22	B30027	BACK PLATE ASSEMBLY MCL -----	1	
-23	B30026	LINING-BRAKE MCL -----	1	
	A30087	RIVET MCL -----	2	
-24	AN4H21A	BOLT -----	2	
-25	AN960-416L	WASHER -----	2	
-26	B30024	PRESSURE PLATE ASSEMBLY MCL -----	1	
-27	B30026	LINING-BRAKE MCL -----	1	
	A30087	RIVET MCL -----	2	
-28	B30031	TORQUE PLATE ASSEMBLY MCL WEU B30594 -----	1	K
	B30594	TORQUE PLATE ASSEMBLY MCL -----	1	L
-29	A30021	PISTON ASSEMBLY MCL -----	1	
-30	AN6230B2	O RING -----	1	
-31	A30030	FITTING-BLEEDER MCL -----	1	
-32	A30085	FITTING-BLEEDER MCL -----	1	
-33	A30040	CAP-DUST MCL -----	1	
	R561	RIVET SET KIT -----	1	

NOTE. *THIS WHEEL ASSEMBLY MUST BE USED ONLY ON AIRCRAFT EQUIPPED WITH C163002-0101, C163003-0102 OR C163004-0104 MAIN GEAR WHEELS. SEE FIG 37B FOR ALTERNATE.

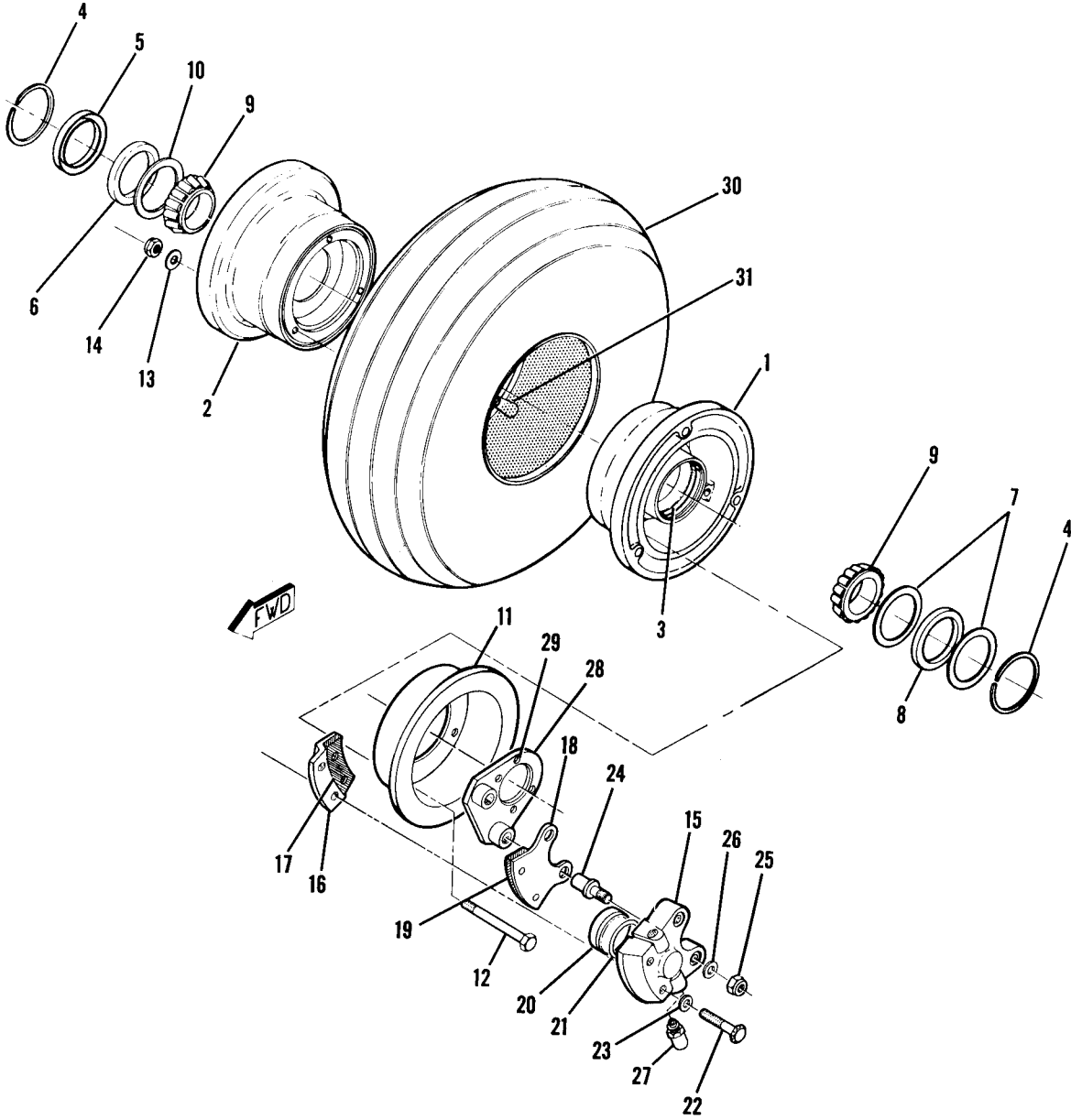
CONTINUED ON NEXT PAGE



FIGURE AND INDEX NO.	PART NUMBER	DESCRIPTION	UNITS PER ASSY	USABLE ON CODE
37A-		<p>1 2 3 4 5 6 7</p> <p>NOTE. **THIS BRAKE ASSEMBLY MUST BE USED WITH C163002-0101, C163003-0101, C163003-0102 OR C163004-0101 WHEEL ASSY ONLY. SEE FIG 37B FOR ALTERNATE.</p> <p>A---150 SERIAL 15072004 & ON F150 SERIAL F15000659 & ON A150 SERIAL A1500227 & ON FA150 SERIAL FA1500082 & ON</p> <p>B---150 SERIAL 15072004 THRU 15073658 F150 SERIAL F15000659 THRU F15000863 A150 SERIAL A1500227 THRU A1500342 FA150 SERIAL FA1500082 THRU FA1500166</p> <p>C---150 SERIAL 15073659 THRU 15077005 F150 SERIAL F15000864 THRU F15001248 A150 SERIAL A1500343 THRU A1500609 FA150 SERIAL FA1500167 THRU FA1500281</p> <p>D---150 SERIAL 15072004 THRU 15074891 F150 SERIAL F15000659 THRU F15001073 A150 SERIAL A1500227 THRU A1500430 FA150 SERIAL FA1500082 THRU FA1500236</p> <p>E---150 SERIAL 15074892 & ON F150 SERIAL F15001074 & ON A150 SERIAL A1500431 & ON FA150 SERIAL FA1500237 & ON</p> <p>F---150 SERIAL 15074892 THRU 15077085 F150 SERIAL F15001074 THRU F15001311 A150 SERIAL A1500431 THRU A1500620 FA150 SERIAL FA1500237 THRU FA1500299</p> <p>G---150 SERIAL 15074892 THRU 15077379, 15077381 THRU 15077401, 15077403 F150 SERIAL F15001074 & ON A150 SERIAL A1500431 THRU A1500641 FA150 SERIAL FA1500237 & ON</p> <p>H---150 SERIAL 15077086 THRU 15077379, 15077381 THRU 15077401, 15077403 F150 SERIAL F15001312 & ON A150 SERIAL A1500621 THRU A1500641 FA150 SERIAL FA1500300 & ON</p> <p>J---150 SERIAL 15077380, 15077402, 15077404 & ON A150 SERIAL A1500642 & ON</p> <p>K---150 SERIAL 15072004 THRU 15077649 F150 SERIAL F15000659 THRU F15001323 A150 SERIAL A1500227 THRU A1500650 FA150 SERIAL FA1500082 THRU FA1500301</p> <p>L---150 SERIAL 15077650 & ON F150 SERIAL F15001324 & ON A150 SERIAL A1500651 & ON FA150 SERIAL FA1500302 & ON</p>		

This page intentionally left blank.

Aligning Gear (Cont)



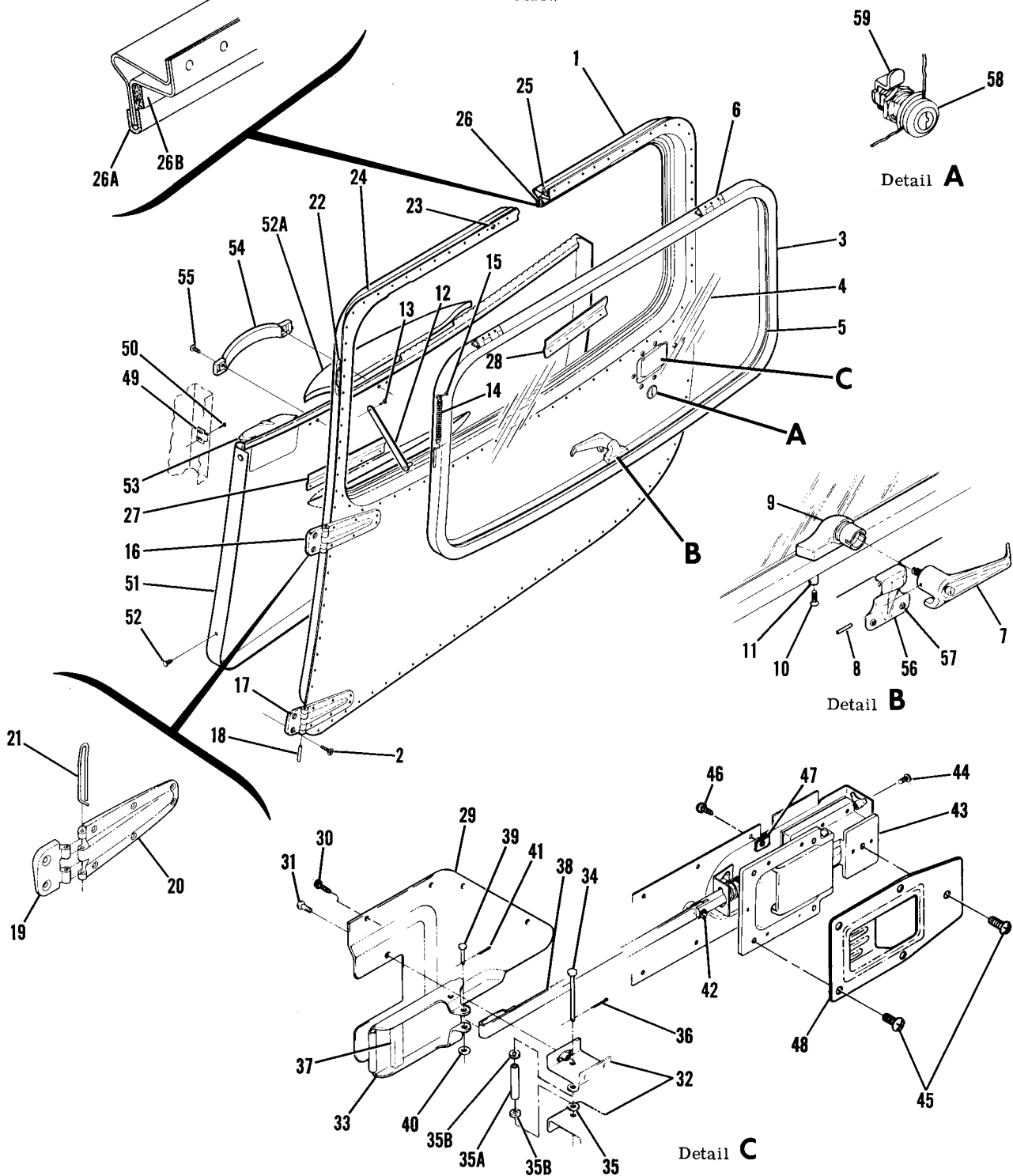
ALTERNATE
150 SERIAL 15072004 & ON
F150 SERIAL F15000659 & ON
A150 SERIAL A1500227 & ON
FA150 SERIAL FA1500082 & ON

Figure 37B. Main Landing Gear Wheel & Brake Assembly



FIGURE AND INDEX NO.	PART NUMBER	DESCRIPTION							UNITS PER ASSY	USABLE ON CODE
		1	2	3	4	5	6	7		
378-	C163001-0104 *	WHEEL & BRAKE ASSEMBLY-MAIN LANDING GEAR -----							NP	A
- 1	161-04900	WHEEL ASSEMBLY-MAIN GEAR CFP 40-113 -----							1	
- 2	162-04700	WHEEL HALF ASSEMBLY-MALE CFP -----							1	
- 3	214-00100	WHEEL HALF ASSEMBLY-FEMALE CFP -----							1	
- 4	155-00100	CUP-BEARING CFP -----							1	
- 5	153-01500	SNAP RING CFP -----							1	
- 6	154-01300	RING-GREASE SEAL CFP -----							1	
- 7	153-00400	FELT-GREASE SEAL CFP -----							1	
- 8	153-00400	RING-GREASE SEAL CFP -----							2	
- 9	154-00300	FELT-GREASE SEAL CFP -----							1	
- 10	214-00200	CONE-BEARING CFP -----							2	
- 11	153-00300	RING-GREASE SEAL CFP -----							1	
- 12	164-04000	DISC ASSEMBLY-BRAKE CFP -----							1	
- 13	AN4-36A	BOLT -----							3	
- 14	AN960-416	WASHER -----							3	
	AN365-428	NUT -----							3	
	C163030-0113 %**	BRAKE ASSY-MAIN GEAR CFP 30-75 -----							1	
- 15	091-04400	CYLINDER ASSY-BRAKE CFP -----							1	
- 16	061-03700	CYLINDER CFP -----							1	
- 17	074-01000	BACK PLATE ASSEMBLY CFP -----							1	
- 18	066-03000	LINING-BRAKE CFP -----							1	
- 19	073-C1100	PRESSURE PLATE ASSEMBLY CFP -----							1	
- 20	066-03000	LINING-BRAKE CFP -----							1	
- 21	092-01700	PISTON ASSEMBLY CFP -----							1	
- 22	AN6230B2	O RING -----							1	
- 23	103-11700	BOLT CFP -----							2	
- 24	AN960-416L	WASHER -----							2	
- 25	AN960-416	WASHER -----							2	
- 26	069-00400	BOLT-ANCHOR CFP -----							2	
- 27	AN365-428	NUT -----							2	
- 28	AN960-416L	WASHER -----							2	
- 29	079-00300	SCREW-BLEEDER CFP -----							1	
- 30	183-00100	CAP-BLEEDER SCREW CFP -----							1	
	081-00100	SEAT-BLEEDER SCREW CFP -----							1	
	075-03700	TORQUE PLATE ASSEMBLY CFP -----							1	
	145-01000	BUSHING-TORQUE PLATE CFP -----							2	
	C262003-0101	TIRE-BLACKWALL 6.00X6 4 PLY RATED -----							1	
	C262001-0101	TIRE-WHITWALL 6.00X6 6 PLY RATED WEU C262001-0201 -----							1	B
	C262001-0201	TIRE-WHITWALL 6.00X6 6 PLY RATED -----							1	B
	C262004-0102	TIRE-WHITWALL 6.00X6 4 PLY RATED -----							1	C
- 31	C262023-0102	TUBE-6.00X6 -----							1	
<p>NOTE. *THIS WHEEL ASSEMBLY MUST BE USED ONLY ON AIRCRAFT EQUIPPED WITH C163001-0104 MAIN GEAR WHEEL.</p> <p>NOTE. **BRAKE ASSEMBLIES DESCRIBED ARE NORMALLY LH, REVERSE FITTINGS & TORQUE PLATE BUSHINGS FOR RH INSTALLATION.</p> <p>NOTE. %THIS BRAKE ASSEMBLY MUST BE USED WITH C163001-0104 WHEEL ASSEMBLY ONLY.</p> <p>A---150 SERIAL 15072004 & ON ALTERNATE F150 SERIAL F15000659 & ON ALTERNATE A150 SERIAL A1500227 & ON ALTERNATE FA150 SERIAL FA1500082 & ON ALTERNATE</p> <p>B---150 SERIAL 15072004 THRU 15073658 F150 SERIAL F15000659 THRU F15000863 A150 SERIAL A1500227 THRU A1500342 FA150 SERIAL FA1500082 THRU FA1500166</p> <p>C---150 SERIAL 15073659 THRU 15077005 F150 SERIAL F15000864 THRU F15001248 A150 SERIAL A1500343 THRU A1500609 FA150 SERIAL FA1500167 THRU FA1500281</p>										

Door & Window



150 SERIAL 15071129 THRU 15077005
F150 SERIAL F15000530 THRU F15001248
A150 SERIAL A1500001 THRU A1500609
FA150 SERIAL FA1500001 THRU FA1500281

Figure 38. Cabin Door Installation

FIGURE AND INDEX NO.	PART NUMBER	DESCRIPTION						UNITS PER ASSY	USABLE ON CODE
		1	2	3	4	5	6		
38 -		CABIN DOOR INSTALLATION						NP	U
- 1	0413033-25	□	DOOR ASSEMBLY-CABIN LH	WITH CLEAR WINDOW			1	A	
			WEU 0417008-21	SEE FIG 38A FOR BREAKDOWN					
	0413033-207	□	DOOR ASSEMBLY-CABIN LH	WITH TINTED WINDOW			1	A	
			WEU 0417008-207	SEE FIG 38A FOR BREAKDOWN					
	0413033-31	□	DOOR ASSEMBLY-CABIN LH	WITH CLEAR WINDOW	AEROBAT		1	B	
			WEU 0417008-23	SEE FIG 38A FOR BREAKDOWN					
	0413033-209	□	DOOR ASSEMBLY-CABIN LH	WITH TINTED WINDOW	AEROBAT		1	B	
			WEU 0417008-209	SEE FIG 38A FOR BREAKDOWN					
	0413033-26	□	DOOR ASSEMBLY-CABIN RH	WITH CLEAR WINDOW			1	A	
			WEU 0417008-22	SEE FIG 38A FOR BREAKDOWN					
	0413033-206	□	DOOR ASSEMBLY-CABIN RH	WITH TINTED WINDOW			1	A	
			WEU 0417008-206	SEE FIG 38A FOR BREAKDOWN					
	0413033-32	□	DOOR ASSEMBLY-CABIN RH	WITH CLEAR WINDOW	AEROBAT		1	B	
			WEU 0417008-24	SEE FIG 38A FOR BREAKDOWN					
	0413033-208	□	DOOR ASSEMBLY-CABIN RH	WITH TINTED WINDOW	AEROBAT		1	B	
			WEU 0417008-208	SEE FIG 38A FOR BREAKDOWN					
			ATTACHING PARTS						
- 2	AN507-1032R10		SCREW				4		
- 3	0417008-13		WINDOW ASSEMBLY-CABIN DOOR LH	CLEAR			1		
	0417008-201		WINDOW ASSEMBLY-CABIN DOOR LH	TINTED			1		
	0417008-14		WINDOW ASSEMBLY-CABIN DOOR RH	CLEAR			1		
	0417008-200		WINDOW ASSEMBLY-CABIN DOOR RH	TINTED			1		
- 4	0417008-15		GLASS-WINDOW LH	CLEAR			1		
	0417008-17		GLASS-WINDOW LH	TINTED			1		
	0417008-16		GLASS-WINDOW RH	CLEAR			1		
	0417008-18		GLASS-WINDOW RH	TINTED			1		
- 5	S1356-1		SEAL-78.90 IN LG	BKI	REF S1356-1-78.90		1		
- 6	0411185-7		HINGE ASSY-WINDOW				2		
- 7	S1483-2		HANDLE ASSEMBLY-WINDOW LATCH LH				1		
	S1483-1		HANDLE ASSEMBLY-WINDOW LATCH RH				1		
			ATTACHING PARTS						
- 8	NAS561P3-8		PIN-ROLL				1		
- 9	1411202-201		BRACKET ASSEMBLY-WINDOW LATCH				1		
			ATTACHING PARTS						
-10	AN509-10R15		SCREW				2		
-11	NAS43HT3-39		SPACER				2		
-12	0413390-23		ARM ASSEMBLY				1		
			ATTACHING PARTS						
-13	MS20392-1C7		PIN				1		
	AN960-4L		WASHER				1		
	MS24665-132		COTTER PIN				1		
-14	0711021-9		SPRING				1		
			ATTACHING PARTS						
-15	MS20392-1C23		PIN				1		
	AN960C4		WASHER				1		
	MS24665-132		COTTER PIN				1		
-16	0413426-3		HINGE ASSEMBLY-LH UPPER				1	A	
	0413426-4		HINGE ASSEMBLY-RH UPPER				1	A	
-17	0413426-4		HINGE ASSEMBLY-LH LOWER				1	N	
	0413426-17		HINGE ASSEMBLY-LH LOWER				1	N	
	0413426-3		HINGE ASSEMBLY-RH LOWER				1	P	
	0413426-18		HINGE ASSEMBLY-RH LOWER				1	A	
-18	0711038-1		PIN-DOOR HINGE				1	B	
-19	0413426-6		HINGE HALF-LH UPPER FWD & RH LOWER FWD				2	B	
	0413426-5		HINGE HALF-LH LOWER FWD & RH UPPER FWD				2	B	
-20	0413426-9		HINGE HALF-LH UPPER AFT				1	B	
	0413426-10		HINGE HALF-RH UPPER AFT				1	B	
	0413426-10		HINGE HALF-LH LOWER AFT				1	Q	
	0413426-16		HINGE HALF-LH LOWER AFT				1	R	
	0413426-9		HINGE HALF-RH LOWER AFT				1	Q	
	0413426-15		HINGE HALF-RH LOWER AFT				1	R	
-21	0511771-7		PIN-HINGE UPPER & LOWER LH DOOR ONLY				2	B	
	0511771-8		PIN-HINGE UPPER & LOWER RH DOOR ONLY				2	B	
-22	0710638-1		WEDGE-CABIN DOOR				1		
-23	A1663-022-1		NUTPLATE TIN				1		
-24	0417007-1		RETAINER-CABIN DOOR SEAL				1		
-25	S1833-1		SEAL-120.00 IN LG	BKI	REF S1833-1-120.00		1		
-26	S1378-2		SEAL-78.90 IN LG	BKI	REF S1378-2-78.90		1		
-26A	S2195-2		SEAL-78.90 IN LG	BKI	REF S2195-2-78.90		1	M	

CONTINUED ON NEXT PAGE

FIGURE AND INDEX NO.	PART NUMBER	DESCRIPTION							UNITS PER ASSY	USABLE ON CODE
		1	2	3	4	5	6	7		
38 -26B	S2108-1	SEAL-78.90 IN LG	BKI	REF S2108-1-78.90					1	M
-27	0413390-32	RETAINER-UPHOLSTERY							1	
-28	0413390-34	RETAINER-UPHOLSTERY							1	
-29	0413388-3	HANDLE PLATE-LH							1	
	0413388-4	HANDLE PLATE-RH							1	
		ATTACHING PARTS								
-30	AN515-6R6	SCREW							4	
	NAS682A06K	NUTPLATE							2	
	NAS680A06K	NUTPLATE							2	
-31	AN507-832R6	SCREW							2	

-32	0413406-6	BRACKET ASSEMBLY							2	
	NAS681A08K	NUTPLATE							1	
-33	0413389-4	HANDLE ASSEMBLY-CABIN DOOR							1	
		ATTACHING PARTS								
-34	MS20392-2C53	PIN							1	
-35	AN960-10L	WASHER							2	
-35A	NAS43HT3-82	SPACER							1	G
-35B	AN960-10L	WASHER							2	G
-36	MS24665-132	COTTER PIN							1	

-37	S1441-2	SEAL-1.37 IN LG	BULK ITEM	REF S1441-2-1.37					1	
-38	0413406-8	DRAWBAR ASSEMBLY							1	
		ATTACHING PARTS								
-39	MS20392-1C17	PIN							1	
-40	AN960-4L	WASHER							1	
-41	MS24665-132	COTTER PIN							1	
-42	MS20392-1C13	PIN							1	
	AN960-4	WASHER							1	
	MS24665-132	COTTER PIN							1	

-43	SEE FIG 39	LATCH ASSEMBLY							1	
		ATTACHING PARTS								
-44	AN525-832R6	SCREW							4	
-45	S1021A6-6	SCREW							5	
-46	S1021Z6-6	SCREW							9	
-47	NAS395-5-3	NUT							7	
	A6195-6Z1	NUTPLATE							2	

-48	0413450-1-294	COVER-DOOR LATCH HOUSING							1	
-49	0413428-1	WEDGE-DOOR							2	
	0413428-2	SHIM-DOOR WEDGE							AR	
		ATTACHING PARTS								
-50	AN515-6R6	SCREW							2	

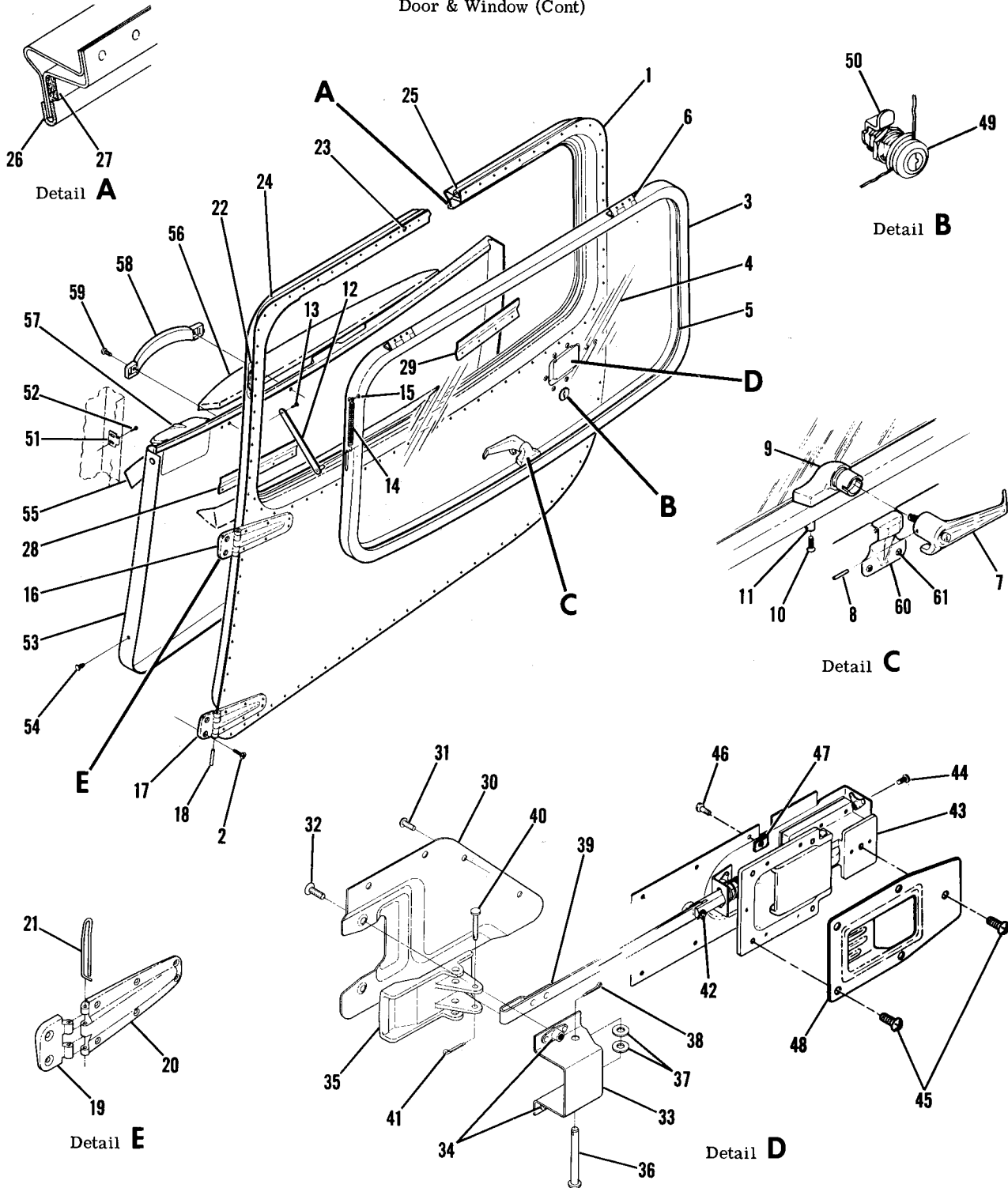
-51	0414001-3	PANEL ASSEMBLY-DOOR UPHOLSTERY LH							1	C
	0414026-1	PANEL-DOOR UPHOLSTERY LH NOT USED ON AEROBAT							1	E
		WEU 0414026-7								
	0414026-5	PANEL-DOOR UPHOLSTERY LH NOT USED ON AEROBAT							1	F
		WEU 0414026-7								
	0414026-7	PANEL ASSY-DOOR UPHOLSTERY LH NOT USED ON AEROBAT							1	H
	0414026-15	PANEL ASSY-DOOR UPHOLSTERY LH							1	J
	0414026-19	PANEL ASSY-DOOR UPHOLSTERY LH							1	S
	0414026-27	PANEL ASSY-DOOR UPHOLSTERY LH							1	T
	0414001-4	PANEL ASSEMBLY-DOOR UPHOLSTERY RH							1	C
	0414026-2	PANEL-DOOR UPHOLSTERY RH NOT USED ON AEROBAT							1	E
		WEU 0414026-8								
	0414026-6	PANEL-DOOR UPHOLSTERY RH NOT USED ON AEROBAT							1	F
		WEU 0414026-8								
	0414026-8	PANEL ASSY-DOOR UPHOLSTERY RH NOT USED ON AEROBAT							1	H
	0414026-16	PANEL ASSY-DOOR UPHOLSTERY RH							1	J
	0414026-20	PANEL ASSY-DOOR UPHOLSTERY RH							1	S
	0414026-28	PANEL ASSY-DOOR UPHOLSTERY RH							1	T
		ATTACHING PARTS								
-52	XH99608F1099	STUD UC							8	

-52A	0415004-1	ARMREST-LH							1	D
	0415004-3	ARMREST-LH							1	K
	0415004-2	ARMREST-RH							1	D
	0415004-4	ARMREST-RH							1	K
-53	S1957-2	ASH RECEIVER							2	
-54	S1685-3	HANDLE ASSEMBLY-ASSIST							2	
		ATTACHING PARTS								
-55	AN515-6R8	SCREW							2	
	NAS682A06K	NUTPLATE							2	

CONTINUED ON NEXT PAGE

FIGURE AND INDEX NO.	PART NUMBER	DESCRIPTION	UNITS PER ASSY	USABLE ON CODE
38 -56	0517002-1	PLATE-STRIKER ----- ATTACHING PARTS -----	2	
-57	S1021Z8-8 C663-832-1	SCREW ----- NUTPLATE-TWIN TIN ----- -----*	2 1	
-58	C253001-0101	LOCK ASSY-CABIN DOOR LH DOOR ONLY -----	1	
-59	0511263-1	CAM-DOOR LOCK LH DOOR ONLY -----	1	
<p>NOTE. □THIS PART NUMBER MUST HAVE A SECOND DASH NUMBER ADDED TO DENOTE COLOR. REFER TO HOW TO ORDER INTERIOR PARTS-PAGE VII.</p> <p>NOTE. #THIS PART NUMBER MUST HAVE A SECOND DASH NUMBER ADDED TO DENOTE COLOR. REFER TO HOW TO ORDER UPHOLSTERED PARTS-PAGE VI.</p> <p>A---150 SERIAL 15071129 THRU 15077005 F150 SERIAL F15000530 THRU F15001248</p> <p>B---A150 SERIAL A1500001 THRU A1500609 FA150 SERIAL FA1500001 THRU FA1500281</p> <p>C---150 SERIAL 15071129 THRU 15072003 F150 SERIAL F15000530 THRU F15000658 A150 SERIAL A1500001 THRU A1500342 FA150 SERIAL FA1500001 THRU FA1500166</p> <p>D---150 SERIAL 15072004 THRU 15074850 F150 SERIAL F15000659 THRU F15001013 A150 SERIAL A1500343 THRU A1500429 FA150 SERIAL F1500167 THRU FA1500211</p> <p>E---150 SERIAL 15072004 THRU 15072524 F150 SERIAL F15000659 THRU F15000758</p> <p>F---150 SERIAL 15072525 THRU 15073132 F150 SERIAL F15000759 THRU F15000818</p> <p>G---150 SERIAL 15073049 THRU 15077005 F150 SERIAL F15000819 THRU F15001248 A150 SERIAL A1500309 THRU A1500609 FA150 SERIAL FA1500162 THRU FA1500281</p> <p>H---150 SERIAL 15073133 THRU 15073658 F150 SERIAL F15000819 THRU F15000863</p> <p>J---150 SERIAL 15073659 THRU 15074850 F150 SERIAL F15000864 THRU F15001013 A150 SERIAL A1500343 THRU A1500429 FA150 SERIAL FA1500167 THRU FA1500211</p> <p>K---150 SERIAL 15074851 THRU 15077005 F150 SERIAL F15001014 THRU F15001248 A150 SERIAL A1500430 THRU A1500609 FA150 SERIAL FA1500212 THRU FA1500281</p> <p>L---150 SERIAL 15071129 THRU 15074710 F150 SERIAL F15000530 THRU F15001013 A150 SERIAL A1500001 THRU A1500420 FA150 SERIAL FA1500001 THRU FA1500211</p> <p>M---150 SERIAL 15074711 THRU 15077005 F150 SERIAL F15001014 THRU F15001248 A150 SERIAL A1500421 THRU A1500609 FA150 SERIAL FA1500212 THRU FA1500281</p> <p>N---150 SERIAL 15071129 THRU 15074143 F150 SERIAL F15000530 THRU F15001023</p> <p>P---150 SERIAL 15074144 THRU 15077005 F150 SERIAL F15001024 THRU F15001248</p> <p>Q---A150 SERIAL A1500001 THRU A1500397 FA150 SERIAL FA1500001 THRU FA1500211</p> <p>R---A150 SERIAL A1500398 THRU A1500609 FA150 SERIAL FA1500212 THRU FA1500281</p> <p>S---150 SERIAL 15074851 THRU 15075781 F150 SERIAL F15001014 THRU F15001143 A150 SERIAL A1500430 THRU A1500523 FA150 SERIAL FA1500212 THRU FA1500261</p> <p>T---150 SERIAL 15075782 THRU 15077005 F150 SERIAL F15001144 THRU F15001248 A150 SERIAL A1500524 THRU A1500609 FA150 SERIAL FA1500262 THRU FA1500281</p> <p>U---150 SERIAL 15071129 THRU 15077005 F150 SERIAL F15000530 THRU F15001248 A150 SERIAL A1500001 THRU A1500609 FA150 SERIAL FA1500001 THRU FA1500281</p>				

Door & Window (Cont)



150 SERIAL 15077006 & ON
F150 SERIAL F15001249 & ON
A150 SERIAL A1500610 & ON
FA150 SERIAL FA1500282 & ON

Figure 38A. Cabin Door Installation



FIGURE AND INDEX NO.	PART NUMBER	DESCRIPTION	UNITS PER ASSY	USABLE ON CODE	
					1 2 3 4 5 6 7
38A- - 1 - 2 - 3 - 4 - 5 - 6 - 7 - 8 - 9 -10 -11 -12 -13 -14 -15 -16 -17 -18 -19 -20 -21 -22 -23 -24 -25 -26 -27 -28 -29 -30 -31 -32	0417008-21	CABIN DOOR INSTALLATION	NP	A	
	0417008-207	DOOR ASSY-CABIN LH WITH CLEAR WINDOW	1	B	
	0417008-23	DOOR ASSY-CABIN LH WITH TINTED WINDOW	1	B	
	0417008-209	DOOR ASSY-CABIN LH WITH CLEAR WINDOW AEROBAT	1	C	
	0417008-22	DOOR ASSY-CABIN LH WITH TINTED WINDOW AEROBAT	1	C	
	0417008-206	DOOR ASSY-CABIN RH WITH CLEAR WINDOW	1	B	
	0417008-24	DOOR ASSY-CABIN RH WITH TINTED WINDOW	1	B	
	0417008-208	DOOR ASSY-CABIN RH WITH CLEAR WINDOW AEROBAT	1	C	
			DOOR ASSY-CABIN RH WITH TINTED WINDOW AEROBAT	1	C
			ATTACHING PARTS		
		AN507-1032R10	SCREW	4	
			-----*		
		0417008-13	WINDOW ASSY-CABIN DOOR LH CLEAR	1	
		0417008-201	WINDOW ASSY-CABIN DOOR LH TINTED	1	
		0417008-14	WINDOW ASSY-CABIN DOOR RH CLEAR	1	
		0417008-200	WINDOW ASSY-CABIN DOOR RH TINTED	1	
		0417008-15	GLASS-WINDOW LH CLEAR	1	
		0417008-17	GLASS-WINDOW LH TINTED	1	
		0417008-16	GLASS-WINDOW RH CLEAR	1	
		0417008-18	GLASS-WINDOW RH TINTED	1	
		S1356-1	SEAL-78.90 IN LG BKI REF S1356-1-78.00	1	
		0411185-7	HINGE ASSY-WINDOW	2	
		S1483-2	HANDLE ASSY-WINDOW LATCH LH	1	
		S1483-1	HANDLE ASSY-WINDOW LATCH RH	1	
			ATTACHING PARTS		
		NAS561P3-8	ROLL PIN	1	
			-----*		
		1411202-201	BRACKET ASSY-WINDOW LATCH	1	
			ATTACHING PARTS		
		AN509-10R15	SCREW	2	
		NAS43HT3-39	SPACER	2	
			-----*		
	0413390-23	ARM ASSY	1		
		ATTACHING PARTS			
	MS20392-1C7	PIN	1		
	AN960-4L	WASHER	1		
	MS24665-132	COTTER PIN	1		
		-----*			
	0711021-9	SPRING	1		
		ATTACHING PARTS			
	MS20392-1C23	PIN	1		
	AN960C4	WASHER	1		
	MS24665-132	COTTER PIN	1		
		-----*			
	0413426-3	HINGE ASSY-LH UPPER	1	B	
	0413426-4	HINGE ASSY-RH UPPER	1	B	
	0413426-17	HINGE ASSY-LH LOWER	1	B	
	0413426-18	HINGE ASSY-RH LOWER	1	B	
	0711038-1	PIN-DOOR HINGE	1	B	
	0413426-6	HINGE HALF-LH UPPER FWD & RH LOWER FWD	2	C	
	0413426-5	HINGE HALF-LH LOWER FWD & RH UPPER FWD	2	C	
	0413426-9	HINGE HALF-LH UPPER AFT	1	C	
	0413426-10	HINGE HALF-RH UPPER AFT	1	C	
	0413426-16	HINGE HALF-LH LOWER AFT	1	C	
	0413426-15	HINGE HALF-RH LOWER AFT	1	C	
	0511771-7	PIN-HINGE UPPER & LOWER LH DOOR ONLY	2	C	
	0511771-8	PIN-HINGE UPPER & LOWER RH DOOR ONLY	2	C	
	0710638-1	WEDGE-CABIN DOOR	1		
	A1663-022-1	NUTPLATE TIN	1		
	0417007-1	RETAINER-CABIN DOOR SEAL	1		
	S2249-1	SEAL-120.00 IN LG BKI REF S2249-1-120.00	1		
	S2195-2	SEAL-78.90 IN LG BKI REF S2195-2-78.90	1		
	S2108-1	SEAL-78.90 IN LG BKI REF S2108-1-78.90	1		
	0413390-32	RETAINER-UPHOLSTERY	1		
	0413390-34	RETAINER-UPHOLSTERY	1		
	0413388-5	HANDLE PLATE-LH	1		
	0413388-6	HANDLE PLATE-RH	1		
		ATTACHING PARTS			
	AN515-6R6	SCREW	3		
	NAS682A06K	NUTPLATE	1		
	NAS680A06K	NUTPLATE	2		
	AN507-832R8	SCREW	2		
		-----*			

CONTINUED ON NEXT PAGE

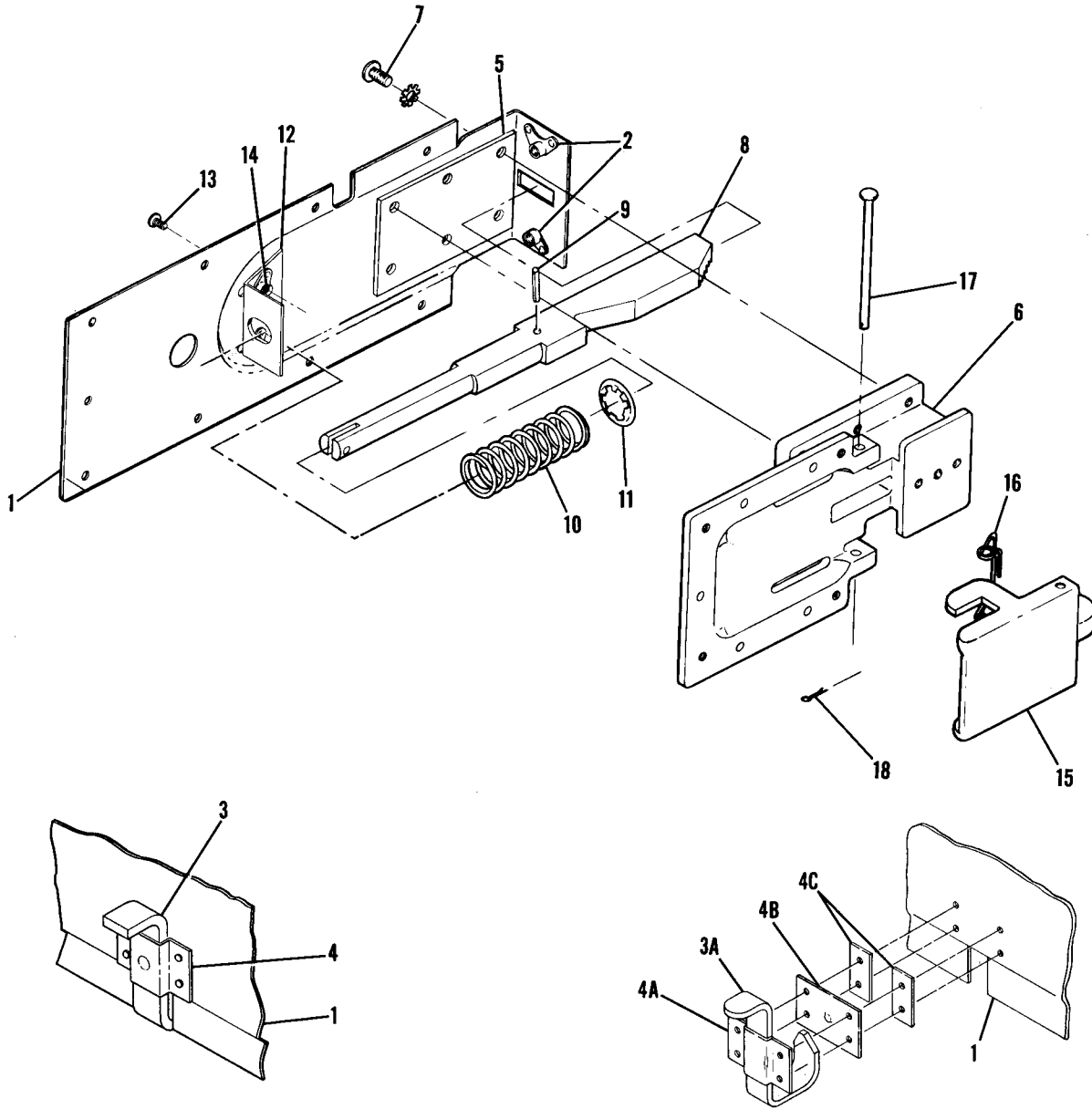
FIGURE AND INDEX NO.	PART NUMBER	DESCRIPTION	UNITS PER ASSY	USABLE ON CODE
38A-33	0417011-2	BRACKET-DOOR LATCH -----	1	
-34	NAS681A08K	NUTPLATE -----	2	
-35	0415018-2	HANDLE-CABIN DOOR -----	1	
		ATTACHING PARTS -----		
-36	MS20392-2C51	PIN -----	1	
-37	AN960-10L	WASHER -----	2	
-38	MS24665-132	COTTER PIN -----	1	
		---*---		
-39	0413406-8	DRAWBAR ASSEMBLY -----	1	
		ATTACHING PARTS -----		
-40	MS20392-1C23	PIN -----	1	
-41	MS24665-132	COTTER PIN -----	1	
-42	MS20392-1C13	PIN -----	1	
	AN960-4	WASHER -----	1	
	MS24665-132	COTTER PIN -----	1	
		---*---		
-43	SEE FIG 39	LATCH ASSY -----	1	
		ATTACHING PARTS -----		
-44	AN525-832R6	SCREW -----	4	
-45	S1021A6-6	SCREW -----	5	
-46	S1021Z6-6	SCREW -----	9	
-47	NAS395-5-3	NUT -----	7	
	S1863PA2	NUTPLATE -----	2	
		---*---		
-48	0413450-1-294	COVER-DOOR LATCH HOUSING -----	1	
-49	C253001-0101	LOCK ASSY-CABIN DOOR LH DOOR ONLY -----	1	
-50	0511263-1	CAM-DOOR LOCK LH DOOR ONLY -----	1	
-51	0413428-1	WEDGE-DOOR -----	2	
	0413428-2	SHIM-DOOR WEDGE -----	AR	
		ATTACHING PARTS -----		
-52	AN515-6R6	SCREW -----	2	
		---*---		
-53	0415017-1	PANEL ASSY-DOOR UPHOLSTERY LH -----	1	D
	0414026-27	PANEL ASSY-DOOR UPHOLSTERY LH FA150 ONLY -----	1	E
	0415017-2	PANEL ASSY-DOOR UPHOLSTERY RH -----	1	D
	0414026-28	PANEL ASSY-DOOR UPHOLSTERY RH FA150 ONLY -----	1	E
		ATTACHING PARTS -----		
-54	XH99608F1099	STUD UC -----	8	
		---*---		
-55	0415024-4	INSERT-ASHTRAY LH WOODGRAIN -----	1	
	0415024-5	INSERT-ASHTRAY RH WOODGRAIN -----	1	
	0415024-3	INSERT-DOOR WOODGRAIN -----	2	
-56	0415022-1	ARMREST-LH -----	1	D
	0415004-3	ARMREST-LH FA150 ONLY -----	1	E
	0415022-2	ARMREST-RH -----	1	D
	0415004-4	ARMREST-RH FA150 ONLY -----	1	E
-57	S1957-2	ASH RECEIVER -----	2	
-58	S1685-3	HANDLE ASSY-ASSIST -----	2	
		ATTACHING PARTS -----		
-59	AN515-6R8	SCREW -----	2	
	NAS682A06K	NUTPLATE -----	2	
		---*---		
-60	0517002-1	PLATE-STRIKER -----	2	
		ATTACHING PARTS -----		
-61	S1021Z8-8	SCREW -----	2	
	C663-832-1	NUTPLATE-TWIN TIN -----	1	
		---*---		

NOTE. #THIS PART NUMBER MUST HAVE A SECOND DASH NUMBER ADDED TO DENOTE COLOR. REFER TO HOW TO ORDER UPHOLSTERED PARTS-PAGE VI.

A---150 SERIAL 15077006 & ON
 F150 SERIAL F15001249 & ON
 A150 SERIAL A1500610 & ON
 FA150 SERIAL FA1500282 & ON
 B---150 SERIAL 15077006 & ON
 F150 SERIAL F15001249 & ON
 C---A150 SERIAL A1500610 & ON
 FA150 SERIAL FA1500282 & ON
 D---150 SERIAL 15077006 & ON
 F150 SERIAL F15001249 & ON
 A150 SERIAL A1500610 & ON
 FA150 SERIAL FA1500312 & ON
 E---FA150 SERIAL FA1500282 THRU FA1500311

This page intentionally left blank.

Door & Window (Cont)



RH LATCH ONLY

15071129 THRU 15074079
 F15000530 THRU F15000903
 A1500001 THRU A1500365
FA1500001 THRU FA1500191

RH LATCH ONLY

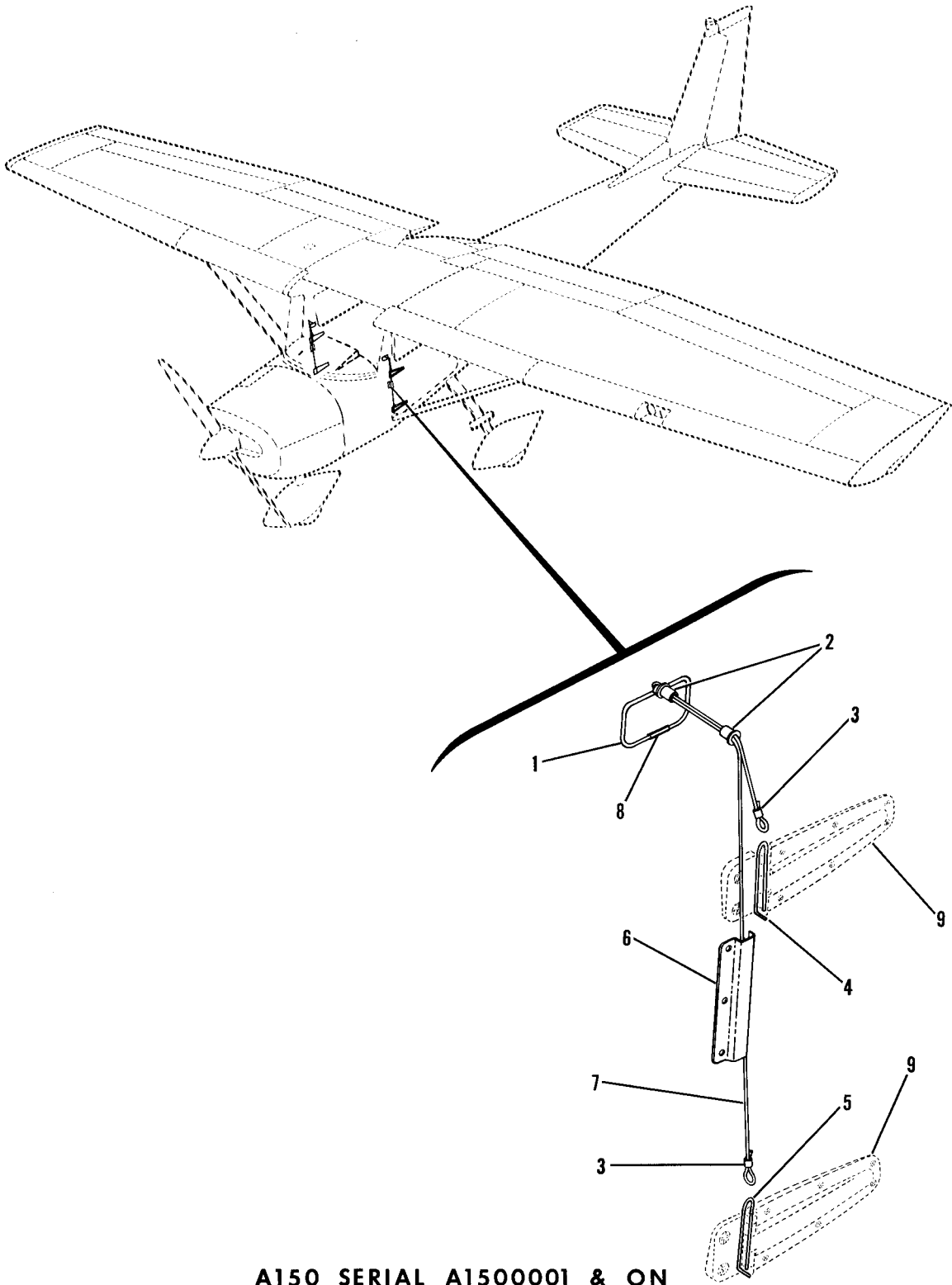
15074080 & ON
 F15000904 & ON
 A1500366 & ON
FA1500192 & ON

Figure 39. Cabin Door Latch Assembly



FIGURE AND INDEX NO.	PART NUMBER	DESCRIPTION	UNITS PER ASSY	USABLE ON CODE
		1 2 3 4 5 6 7		
39 -	0413387-3	CABIN DOOR LATCH ASSEMBLY LH -----	1	
	0413387-4	CABIN DOOR LATCH ASSEMBLY RH WEU 0413387-6 -----	1	A
	0413387-6	CABIN DOOR LATCH ASSEMBLY RH -----	1	B
- 1	0413388-1	MOUNTING PLATE ASSEMBLY -----	1	
- 2	NAS698A08	NUTPLATE -----	2	
- 3	0413414-2	LOCK BRACKET RH ONLY -----	1	A
- 3A	0417006-3	LATCH-DOOR LOCK RH ONLY -----	1	B
- 4	0413414-1	GUIDE-LOCK RH ONLY -----	1	A
- 4A	0417006-1	GUIDE-LATCH RH ONLY -----	1	B
- 4B	0417006-2	DETENT-DOOR LOCK RH ONLY -----	1	B
- 4C	0417006-4	SPACER RH ONLY -----	2	B
- 5	0511264-1	SPACER -----	1	
- 6	0511258-2	HOUSING -----	1	
		ATTACHING PARTS		
- 7	AN515-832R6	SCREW -----	4	
	AN936B8	WASHER -----	4	
		---*---		
- 8	0511260-1	BOLT-LH -----	1	
	0511260-2	BOLT-RH -----	1	
- 9	NAS561-3-8	ROLL PIN -----	1	
-10	0511261-3	SPRING -----	1	
-11	S1631-7	RING-RETAINER -----	1	
-12	0511266-1	SUPPORT ASSEMBLY-BGLT -----	1	
		ATTACHING PARTS		
-13	AN525-832R7	SCREW -----	2	
		---*---		
-14	NAS698A08	NUTPLATE -----	2	
-15	0417010-2	HANDLE-DOOR LATCH -----	1	
		ATTACHING PARTS		
-16	0511261-4	SPRING -----	1	
	0511261-5	SPRING -----	1	
-17	MS20392-1C97	PIN -----	1	
-18	MS24665-132	COTTER PIN -----	1	
		---*---		
		A---150 SERIAL 15071129 THRU 15074079 F150 SERIAL F15000530 THRU F15000903 A150 SERIAL A1500001 THRU A1500365 FA150 SERIAL FA1500001 THRU FA1500191		
		B---150 SERIAL 15074080 & ON F150 SERIAL F15000904 & ON A150 SERIAL A1500366 & ON FA150 SERIAL FA1500192 & ON		

Door & Window (Cont)



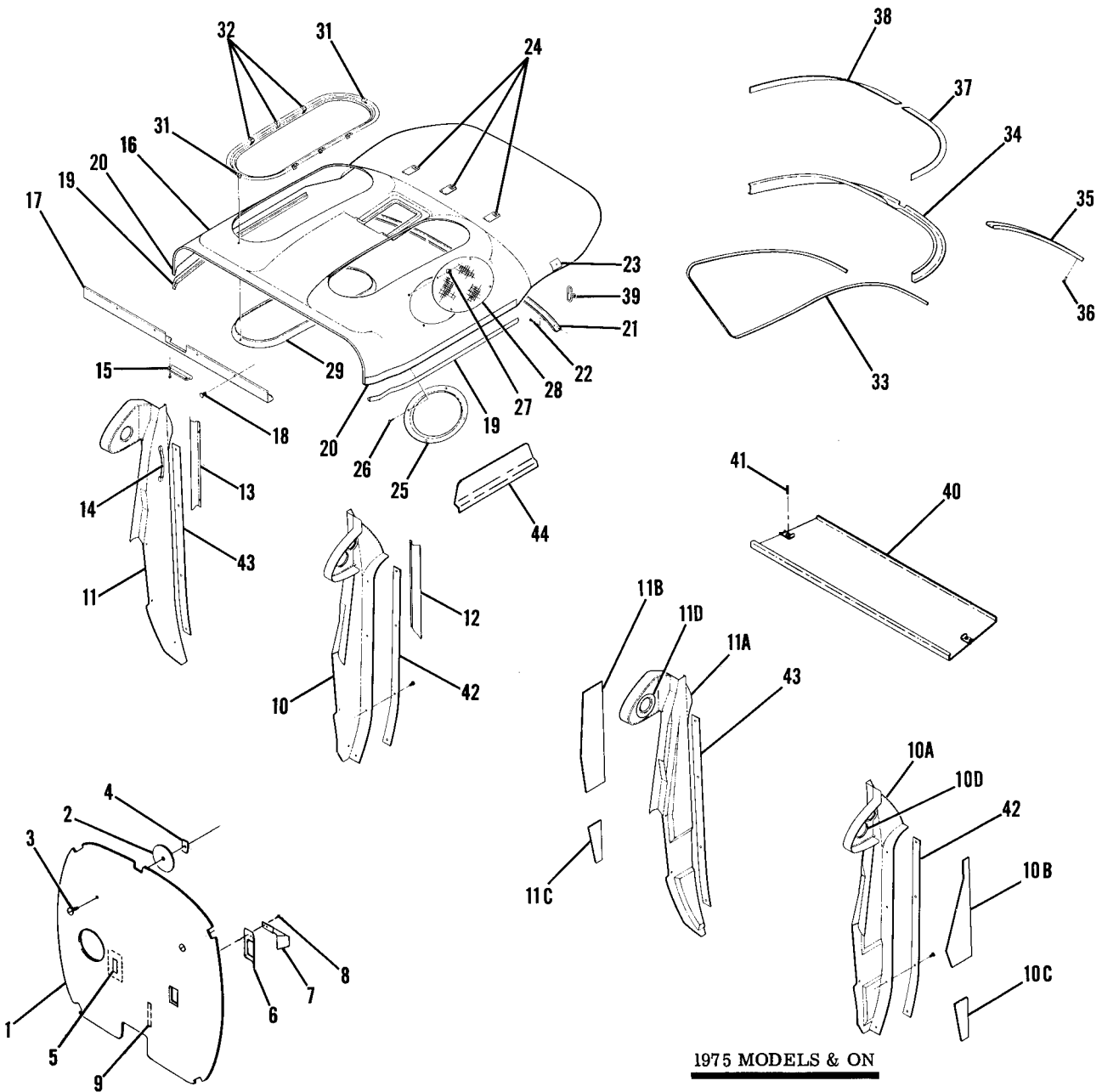
A150 SERIAL A1500001 & ON
FA150 SERIAL FA1500001 & ON
Figure 40. Emergency Door Release Installation



FIGURE AND INDEX NO.	PART NUMBER	DESCRIPTION	UNITS PER ASSY	USABLE ON CODE
40 -		EMERGENCY DOOR RELEASE INSTALLATION -----	NP	A
- 1	0513246-4	HANDLE ASSEMBLY-EMERGENCY RELEASE -----	2	
- 2	S1291-3	GROMMET -----	4	
- 3	S1958-1	SLEEVE -----	6	
- 4	0511771-7	PIN-HINGE LH DOOR ONLY -----	1	
	0511771-8	PIN-HINGE RH DOOR ONLY -----	1	
- 5	0511771-7	PIN-HINGE LH DOOR ONLY -----	1	
	0511771-8	PIN-HINGE RH DOOR ONLY -----	1	
- 6	0513245-2	GUARD-CABLE -----	2	
- 7	0417005-3	CABLE-EMERGENCY DOOR RELEASE -----	2	
- 8	0417012-1	RETAINER-HANDLE ASSEMBLY -----	1	
		ATTACHING PARTS		
	S1022A4-6	SCREW -----	1	
		---*---		
- 9	SEE FIG 38 & 38A	HINGE ASSEMBLY -----	4	
		A---A150 SERIAL A1500001 & ON FA150 SERIAL FA1500001 & ON		



Upholstery



1975 MODELS & ON

Figure 41. Cabin Top and Firewall Upholstery Installation



FIGURE AND INDEX NO.	PART NUMBER		DESCRIPTION							UNITS PER ASSY	USABLE ON CODE
			1	2	3	4	5	6	7		
41 -			UPHOLSTERY INSTALLATION-CABIN TOP & FIREWALL -----							NP	
- 1	0400118-3	#	PANEL ASSEMBLY-FIREWALL -----							1	A
	0415021-17	#	PANEL-FIREWALL -----							1	B
- 2	0400123-1		DISC -----							2	
			ATTACHING PARTS -----								
- 3	S1021Z10-10		SCREW -----							1	
- 4	NAS446-5-3		NUT -----							1	
			---*---								
- 5	0400207-2		RETAINER-FIREWALL UPHOLSTERY -----							1	
			ATTACHING PARTS -----								
	S1021A6-6C		SCREW -----							4	
			---*---								
- 6	0400207-1		RETAINER-FIREWALL UPHOLSTERY -----							1	
- 7	0400329-1		DEFLECTOR-CABIN HEATER -----							1	
			ATTACHING PARTS -----								
- 8	S1021A6-6C		SCREW -----							3	
			---*---								
- 9	0400141-1		RETAINER-FIREWALL UPHOLSTERY -----							1	
			ATTACHING PARTS -----								
	S1021Z8-8		SCREW -----							2	
	NAS446-4-3		NUT -----							2	
			---*---								
-10	0413484-7	□	SHIELD ASSEMBLY-LH -----							1	H
	0413516-1		PAD-FORWARD DOORPOST LH -----							1	J
-10A	0413484-17		SHIELD ASSY-LH -----							1	L
	0413484-21		SHIELD ASSY-LH -----							1	P
	0413484-26		SHIELD ASSY-LH -----							1	R
-10B	0413516-3		PAD-FWD DOORPOST UPPER LH -----							1	K
-10C	0413516-5		PAD-FWD DOORPOST LOWER LH -----							1	K
-10D	0415023-3		ESCUTCHEON ASSY-LH -----							1	M
-11	0413489-4	□	SHIELD-RH -----							1	H
	0413516-2		PAD-FORWARD DOORPOST RH -----							1	J
-11A	0415013-2		SHIELD-RH -----							1	L
	0415013-4		SHIELD-RH -----							1	M
-11B	0413516-4		PAD-FWD DOORPOST UPPER RH -----							1	K
-11C	0413516-6		PAD-FWD DOORPOST LOWER RH -----							1	K
-11D	0415023-1		ESCUTCHEON ASSY-RH -----							1	M
-12	0413449-1		TRIM-DOORPOST LH -----							1	A
-13	0411893-1		TRIM-DOORPOST RH -----							1	A
			ATTACHING PARTS -----								
	S1021Z6-4		SCREW -----							2	
			---*---								
-14	S1685-3		HANDLE ASSEMBLY-ASSIST -----							2	C
			ATTACHING PARTS -----								
	AN515-6R12		SCREW -----							2	C
			---*---								
-15	0413504-1		COVER-SUNVISOR SUPPORT -----							1	
			ATTACHING PARTS -----								
	AN525-10R16		SCREW -----							2	
			---*---								
-16	0414010-1		HEADLINER -----							1	A
	0414010-5		HEADLINER -----							1	Q
	0414010-7		HEADLINER -----							1	R
-17	0414018-1	□	RETAINER-HEADLINER -----							1	D
	0414018-4	□	RETAINER-HEADLINER -----							1	E
			ATTACHING PARTS -----								
-18	S1898-2		FASTENER -----							4	
			---*---								
-19	0414018-2	□	RETAINER-HEADLINER -----							2	
-20	0413507-1		STIFFENER -----							2	
-21	0414016-1		TRIM-HEADLINER -----							1	A
	0414016-2		TRIM-HEADLINER -----							1	B
			ATTACHING PARTS -----								
-22	S1021Z10-8C		SCREW -----							2	
-23	0413506-1		BRACKET -----							4	
-24	0414017-1		BRACKET -----							3	
	S1950-2E		SCREW -----							3	
			---*---								
-25	0414012-1	□	RETAINER-SPEAKER GRILL -----							1	A
			ATTACHING PARTS -----								
-26	S1021Z8-12		SCREW -----							4	A
-27	NAS488-7-3		NUT -----							4	A
			---*---								

CONTINUED ON NEXT PAGE



FIGURE AND INDEX NO.	PART NUMBER	DESCRIPTION	UNITS PER ASSY	USABLE ON CODE
41 -28	0414012-2	GRILL-SPEAKER -----	1	A
-29	0414015-1	TRIM-WINDOW -----	2	
-30		DELETED -----		
-31	0414014-1	BRACKET-WINDOW TRIM -----	4	
-32	0414014-2	BRACKET-WINDOW TRIM -----	12	
-33	S1948-2	SEAL-67.0 IN LG BULK ITEM REF S1948-67.0 -----	2	
-34	0414030-1	TRIM COVER-REAR WINDOW WEU 0414030-2 -----	1	N
	0414030-2	TRIM COVER-REAR WINDOW -----	1	M
		ATTACHING PARTS		
	S102124-4	SCREW -----	8	
		-----*		
-35	0415021-16	COVER-CENTER STRIP -----	1	
		ATTACHING PARTS		
-36	S102124-6	SCREW -----	1	
	S102124-4	SCREW -----	4	
		-----*		
-37	0412509-1	RETAINER ASSEMBLY-HEADLINER LH -----	1	
-38	0412509-2	RETAINER ASSEMBLY-HEADLINER RH -----	1	
-39	S1430-4	HOOK-COAT HANGER -----	2	F
	0715038-1	COAT HANGER -----	2	G
		ATTACHING PARTS		
	AN520-10R10	SCREW -----	1	G
		-----*		
-40	0412070-5	SHELF ASSEMBLY-UTILITY -----	1	
		ATTACHING PARTS		
-41	1089	STUD DIGR -----	2	
		-----*		
-42	0414019-1	RETAINER-DOORPOST SHIELD LH -----	1	
-43	0414019-2	RETAINER-DOORPOST SHIELD RH -----	1	
-44	0515010-10	TRAY-SHOULDER HARNESS STORAGE -----	2	G
		ATTACHING PARTS		
	S1021A4-6	SCREW -----	4	G
		-----*		
<p>NOTE. #THIS PART NUMBER MUST HAVE A SECOND DASH NUMBER ADDED TO DENOTE COLOR. REFER TO HOW TO ORDER UPHOLSTERED PARTS-PAGE VI.</p> <p>NOTE. □THIS PART NUMBER MUST HAVE A SECOND DASH NUMBER ADDED TO DENOTE COLOR. REFER TO HOW TO ORDER INTERIOR PARTS-PAGE VII.</p> <p>A---150 SERIAL 15071129 THRU 15072003 F150 SERIAL F15000530 THRU F15000658 A150 SERIAL A1500001 THRU A1500226 FA150 SERIAL FA1500001 THRU FA1500081</p> <p>B---150 SERIAL 15072004 & ON F150 SERIAL F15000659 & ON A150 SERIAL A1500227 & ON FA150 SERIAL FA1500082 & ON</p> <p>C---150 SERIAL 15071129 THRU 15072628 F150 SERIAL F15000530 THRU F15000738 A150 SERIAL A1500001 THRU A1500276 FA150 SERIAL FA1500001 THRU FA1500166</p> <p>D---150 SERIAL 15071129 THRU 15073658 F150 SERIAL F15000530 THRU F15000863 A150 SERIAL A1500001 THRU A1500342 FA150 SERIAL FA1500001 THRU FA1500166</p> <p>E---150 SERIAL 15073659 & ON F150 SERIAL F15000864 & ON A150 SERIAL A1500343 & ON FA150 SERIAL FA1500167 & ON</p> <p>F---150 SERIAL 15071129 THRU 15074850 F150 SERIAL F15000530 THRU F15001013 A150 SERIAL A1500001 & ON FA150 SERIAL FA1500001 & ON</p>				
<p>CONTINUED ON NEXT PAGE</p>				

FIGURE AND INDEX NO.	PART NUMBER	DESCRIPTION 1 2 3 4 5 6 7	UNITS PER ASSY	USABLE ON CODE
41 -		G---150 SERIAL 15074851 & ON F150 SERIAL F15001014 & ON H---150 SERIAL 15071129 THRU 15075781 F150 SERIAL F15000530 THRU F15001143 A150 SERIAL A1500001 THRU A1500523 FA150 SERIAL FA1500001 THRU FA1500261 J---150 SERIAL 15072004 THRU 15075781 F150 SERIAL F15000659 THRU F15001143 A150 SERIAL A1500227 THRU A1500523 FA150 SERIAL FA1500082 THRU FA1500261 K---150 SERIAL 15075782 & ON F150 SERIAL F15001144 & ON A150 SERIAL A1500524 & ON FA150 SERIAL FA1500262 & ON L---150 SERIAL 15071129 THRU 15077005 F150 SERIAL F15001144 THRU F15001248 A150 SERIAL A1500524 THRU A1500609 FA150 SERIAL FA1500262 THRU FA1500281 M---150 SERIAL 15077006 & ON F150 SERIAL F15001249 & ON A150 SERIAL A1500610 & ON FA150 SERIAL FA1500282 & ON N---150 SERIAL 15071129 THRU 15077005 F150 SERIAL F15000530 THRU F15001248 A150 SERIAL A1500001 THRU A1500609 FA150 SERIAL FA1500001 THRU FA1500281 P---150 SERIAL 15077006 THRU 15078505 F150 SERIAL F15001249 THRU F15001338 A150 SERIAL A1500610 THRU A1500684 FA150 SERIAL FA1500282 THRU FA1500311 Q---150 SERIAL 15072004 THRU 15078505 F150 SERIAL F15000659 THRU F15001338 A150 SERIAL A1500227 THRU A1500684 FA150 SERIAL FA1500082 THRU FA1500311 R---150 SERIAL 15078506 & ON F150 SERIAL F15001339 & ON A150 SERIAL A1500685 & ON FA150 SERIAL FA1500312 & ON		

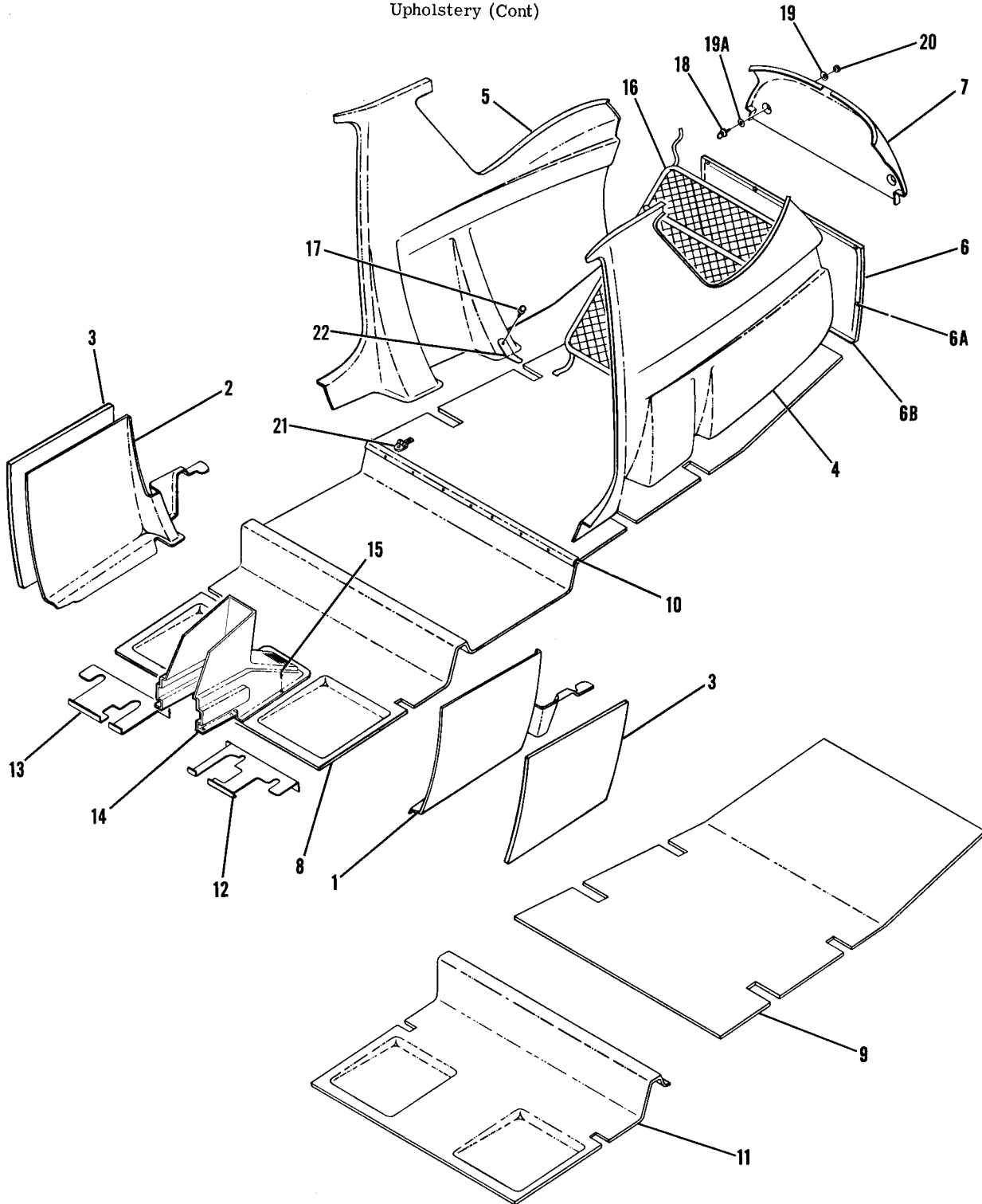
This page intentionally left blank.



FIGURE AND INDEX NO.	PART NUMBER		DESCRIPTION							UNITS PER ASSY	USABLE ON CODE
			1	2	3	4	5	6	7		
42 -			UPHOLSTERY INSTALLATION-CABIN SIDE PANELS & FLOORBOARD							NP	T
- 1	0400129-68	□	PANEL ASSEMBLY-COWL LH							1	D
	0415021-9		PANEL ASSEMBLY-COWL LH							1	E
	0400129-62	#	PANEL ASSEMBLY-COWL LH COMMUTER & AEROBAT ONLY							1	B
	0415021-5	#	PANEL ASSEMBLY-COWL LH COMMUTER & AEROBAT ONLY							1	F
- 2	0400129-72	□	PANEL-COWL RH							1	D
	0415021-18		PANEL-COWL RH							1	E
	0400129-60	#	PANEL ASSEMBLY-COWL RH COMMUTER & AEROBAT ONLY							1	B
	0415021-6	#	PANEL ASSEMBLY-COWL RH COMMUTER & AEROBAT ONLY							1	F
- 3	0400118-11		SOUNDPROOFING-COWL PANELS							2	G
	0415000-19		SOUNDPROOFING-COWL PANELS							2	H
- 4	0414002-1	□	PANEL-CABIN SIDE LH							1	J
	0414026-3	□	PANEL-CABIN SIDE LH							1	M
	0414026-21	#	PANEL-CABIN SIDE LH							1	N
- 5	0414002-2	□	PANEL-CABIN SIDE RH							1	J
	0414026-4	□	PANEL-CABIN SIDE RH							1	M
	0414026-22	#	PANEL-CABIN SIDE RH							1	N
- 6	0415021-12		PANEL-BAGGAGE COMPARTMENT LOWER AFT							1	
- 6A	H323-3-1-1		PLUNGER HWL							6	S
	H559-3-1		GROMMET HWL							6	S
- 6B	S2092-3		FASTENER-24.0 IN LG BKI							1	N
- 7	0400129-58	□	PANEL ASSEMBLY-BAGGAGE COMPARTMENT UPPER AFT							1	G
	0415021-13		PANEL ASSEMBLY-BAGGAGE COMPARTMENT UPPER AFT							1	H
- 8	0400129-56	#	CARPET ASSEMBLY-FULL LENGTH COMMUTER & AEROBAT ONLY							1	B
- 9	0400129-16	#	FLCCR COVERING-BAGGAGE STANDARD, TRAINER & F150 ONLY							1	D
	0415021-3	#	CARPET ASSY-AFT							1	H
-10	0400129-20		RETAINER-FLOOR COVERING							1	G
	0414028-1		RETAINER-FLOOR COVERING STANDARD & F150 ONLY							1	E
	S102126-6		ATTACHING PARTS								
			SCREW							5	
			*---								
-11	0400129-65	#	CARPET ASSEMBLY-FCRWARD STANDARD, TRAINER & F150 ONLY							1	D
	0415021-2	#	CARPET ASSEMBLY-FCRWARD							1	H
-12	0411599-5	□	SHIELD-RUDDER BAR LH							1	
-13	0411971-1	□	SHIELD-RUDDER BAR RH							1	
	0411836-3	□	SHIELD-RUDDER BAR USE WITH RH CONTROLS ONLY							1	
	S102128-6		ATTACHING PARTS								
			SCREW							9	
			*---								
-14	0413463-2	□	COVER ASSEMBLY-CONTROL WEU 0413463-1							1	K
	0413463-1	□	COVER-CONTROL							1	L
	S102128-6		ATTACHING PARTS								
			SCREW							7	
			*---								
-16	2015009-2		NET-BAGGAGE							1	
			ATTACHING PARTS								
-17	1211203-1		EYEBOLT							2	
-18	1211203-1		EYEBOLT							2	A
	0511165		EYEBOLT							2	C
-19	AN970-3		WASHER							2	P
	AN960-10		WASHER							2	Q
	AN960-416		WASHER							2	C

CONTINUED ON NEXT PAGE

Upholstery (Cont)



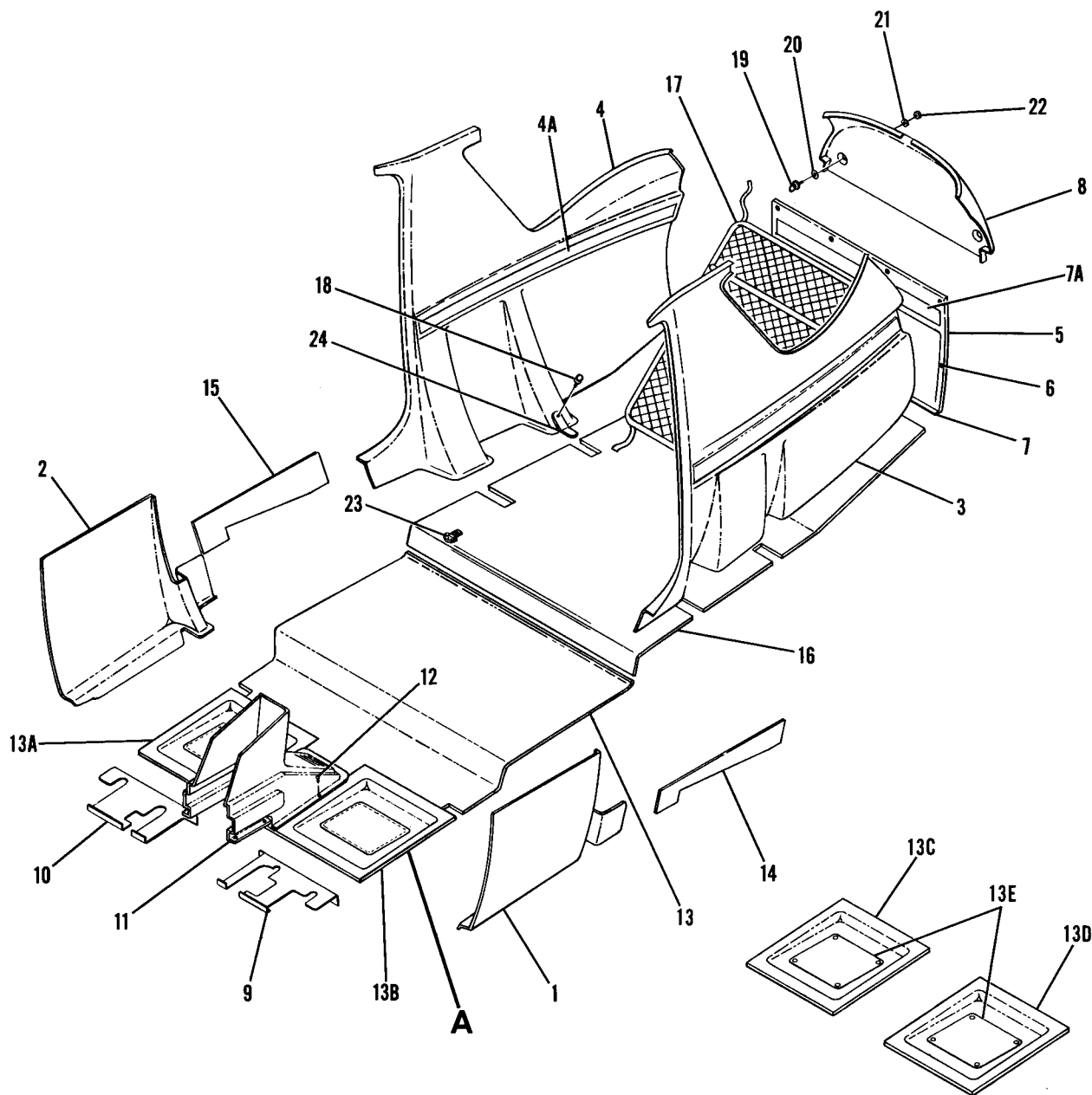
150 SERIAL 15071129 THRU 15075781
F150 SERIAL F15000530 THRU F15001143
A150 SERIAL A1500001 THRU A1500523
FA150 SERIAL FA1500001 THRU FA1500261

Figure 42. Cabin Side Panels & Floorboard Upholstery Installation

FIGURE AND INDEX NO.	PART NUMBER	DESCRIPTION	UNITS PER ASSY	USABLE ON CODE
		1 2 3 4 5 6 7		
42 -19A	AN970-3	WASHER -----	2	Q
	AN970-4	WASHER -----	2	R
-20	MS21044N3	NUT -----	2	A
	MS21042L4	NUT -----	2	C
-21	0711083-1	LATCH ASSEMBLY-CARGO TIE DOWN -----	2	
	NAS221-10	SCREW -----	2	
	AN960-10	WASHER -----	2	

-22	0414022-1	RETAINER -----	2	C
<p>NOTE. #THIS PART NUMBER MUST HAVE A SECOND DASH NUMBER ADDED TO DENOTE COLOR. REFER TO HOW TO ORDER UPHOLSTERED PARTS-PAGE VI.</p> <p>NOTE. □THIS PART NUMBER MUST HAVE A SECOND DASH NUMBER ADDED TO DENOTE COLOR. REFER TO HOW TO ORDER INTERIOR PARTS-PAGE VII.</p>				
<p>A---150 SERIAL 15071129 THRU 15075781 F150 SERIAL F15000530 THRU F15001143</p> <p>B---150 SERIAL 15071129 THRU 15072003 A150 SERIAL A1500001 THRU A1500226 FA150 SERIAL FA1500001 THRU FA1500081</p> <p>C---A150 SERIAL A1500001 THRU A1500523 FA150 SERIAL FA1500001 THRU FA1500261</p> <p>D---150 SERIAL 15071129 THRU 15072003 F150 SERIAL F15000530 THRU F15000658</p> <p>E---150 SERIAL 15072004 THRU 15075781 F150 SERIAL F15000659 THRU F15001143</p> <p>F---150 SERIAL 15072004 THRU 15075781 A150 SERIAL A1500227 THRU A1500523 FA150 SERIAL FA1500082 THRU FA1500261</p> <p>G---150 SERIAL 15071129 THRU 15072003 F150 SERIAL F15000530 THRU F15000658 A150 SERIAL A1500001 THRU A1500226 FA150 SERIAL FA1500001 THRU FA1500081</p> <p>H---150 SERIAL 15072004 THRU 15075781 F150 SERIAL F15000659 THRU F15001143 A150 SERIAL A1500227 THRU A1500523 FA150 SERIAL FA1500082 THRU FA1500261</p> <p>J---150 SERIAL 15071129 THRU 15072003 F150 SERIAL F15000530 THRU F1500658 A150 SERIAL A1500001 THRU A1500342 FA150 SERIAL FA1500001 THRU FA1500166</p> <p>K---150 SERIAL 15071129 THRU 15073152 F150 SERIAL F15000530 THRU F15000833 A150 SERIAL A1500001 THRU A1500318 FA150 SERIAL FA1500001 THRU FA1500166</p> <p>L---150 SERIAL 15073153 THRU 15075781 F150 SERIAL F15000834 THRU F15001143 A150 SERIAL A1500319 THRU A1500523 FA150 SERIAL FA1500167 THRU FA1500261</p> <p>M---150 SERIAL 15072004 THRU 15074850 F150 SERIAL F15000659 THRU F15001013 A150 SERIAL A1500343 THRU A1500429 FA150 SERIAL FA1500167 THRU FA1500211</p> <p>N---150 SERIAL 15074851 THRU 15075781 F150 SERIAL F15001014 THRU F15001143 A150 SERIAL A1500430 THRU A1500523 FA150 SERIAL FA1500212 THRU FA1500261</p> <p>P---150 SERIAL 15071129 THRU 15074850 F150 SERIAL F15000530 THRU F15001013</p> <p>Q---150 SERIAL 15074851 THRU 15075781 F150 SERIAL F15001014 THRU F15001143</p> <p>R---A150 SERIAL A1500430 THRU A1500523 FA150 SERIAL FA1500212 THRU FA1500261</p> <p>S---150 SERIAL 15072004 THRU 15075781 F150 SERIAL F1500659 THRU F15001143 A150 SERIAL A1500343 THRU A1500523 FA150 SERIAL FA1500167 THRU FA1500261</p> <p>T---150 SERIAL 15071129 THRU 15075781 F150 SERIAL F15000530 THRU F15001143 A150 SERIAL A1500001 THRU A1500523 FA150 SERIAL FA1500001 THRU FA1500261</p>				

Upholstery (Cont)

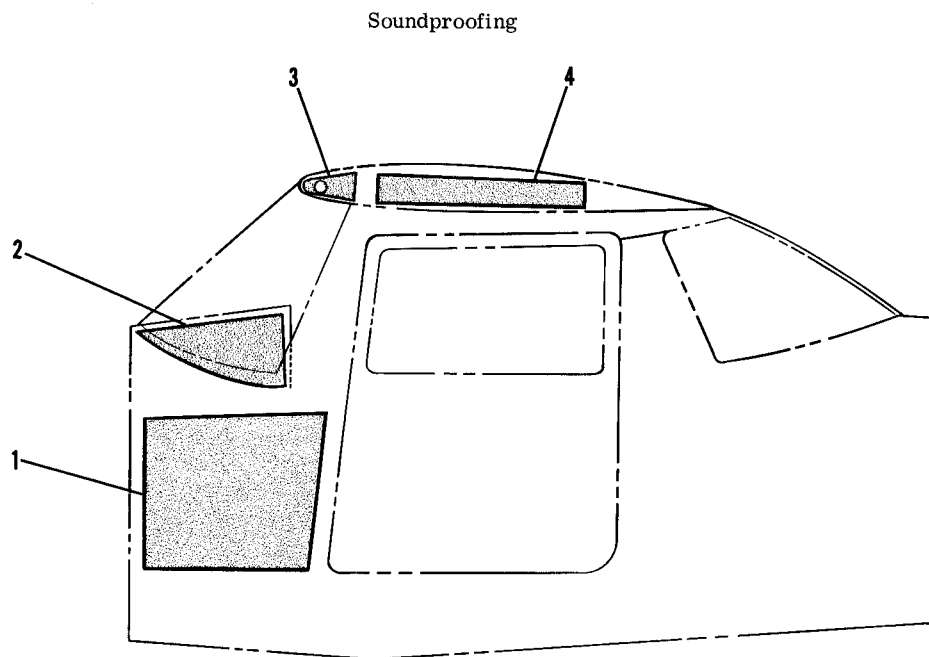


150 SERIAL 15075782 & ON
F150 SERIAL F15001144 & ON
A150 SERIAL A1500524 & ON
FA150 SERIAL FA1500262 & ON

Figure 42A. Cabin Side Panels & Floorboard Upholstery Installation

FIGURE AND INDEX NO.	PART NUMBER		DESCRIPTION							UNITS PER ASSY	USABLE ON CODE
			1	2	3	4	5	6	7		
42A-			UPHOLSTERY INSTALLATION-CABIN SIDE PANELS & FLOORBOARD -----							NP	A
- 1	0415021-9		PANEL ASSY-COWL LH STD 150 ONLY -----							1	B
	0415021-5	#	PANEL ASSY-COWL LH CARPETED -----							1	
- 2	0415021-18		PANEL-COWL RH STD 150 ONLY -----							1	B
	0415021-6	#	PANEL ASSY-COWL RH CARPETED -----							1	
- 3	0414026-29		PANEL-CABIN SIDE LH -----							1	E
	0415017-3		PANEL-CABIN SIDE LH -----							1	F
- 4	0414026-30		PANEL-CABIN SIDE RH -----							1	E
	0415017-4		PANEL-CABIN SIDE RH -----							1	F
- 4A	0415024-2		INSERT-SIDE PANEL WOODGRAIN -----							2	F
- 5	0415021-15		PANEL ASSY-BAGGAGE COMPARTMENT LWR AFT -----							1	E
	0415017-12		PANEL ASSY-BAGGAGE COMPARTMENT LWR AFT -----							1	F
- 6	H323-3-1-1		PLUNGER HWL -----							6	
	H559-3-1		GROMMET HWL -----							6	
- 7	S2092-3		FASTENER-24.0 IN LG BKI -----							1	
- 7A	0415024-1		INSERT-AFT PANEL WOODGRAIN -----							1	F
- 8	0415021-13		PANEL ASSY-BAGGAGE COMPARTMENT UPPER AFT -----							1	
- 9	0411599-5	□	SHIELD-RUDDER BAR LH -----							1	
- 10	0411971-1	□	SHIELD-RUDDER BAR RH -----							1	
	0411836-3	□	SHIELD-RUDDER BAR RH USE WITH RH CONTROLS ONLY -----							1	
			ATTACHING PARTS								
	S102128-6		SCREW -----							9	
			-----*								
- 11	0413463-1	□	COVER-CONTROL -----							1	
			ATTACHING PARTS								
- 12	S102128-6		SCREW -----							7	
			-----*								
- 13	0415021-2	#	CARPET ASSY-CENTER -----							1	C
- 13A	0415021-24	#	CARPET ASSY-FWD RH -----							1	E
- 13B	0415021-25	#	CARPET ASSY-FWD LH -----							1	E
- 13C	0415021-28	#	CARPET-FWD RH -----							1	F
- 13D	0415021-29	#	CARPET-FWD LH -----							1	F
- 13E	0415026	#	SCUFF PLATE -----							2	F
			ATTACHING PARTS								
	S102124-8		SCREW -----							4	F
			-----*								
- 14	0415021-23	#	CARPET-SCUFF LH -----							1	
- 15	0415021-22	#	CARPET-SCUFF RH -----							1	
- 16	0415021-3	#	CARPET ASSY-AFT -----							1	
- 17	2015009-2		NET-BAGGAGE -----							1	
			ATTACHING PARTS								
- 18	1211203-1		EYEBOLT -----							2	
- 19	1211203-1		EYEBOLT -----							2	C
	0511165		EYEBOLT AEROBAT -----							2	D
- 20	AN970-3		WASHER -----							2	C
	AN970-4		WASHER AERCBAT -----							2	D
- 21	AN960-10		WASHER -----							2	C
	AN960-416		WASHER AEROBAT -----							2	D
- 22	MS21044N3		NUT -----							2	C
	MS21042L4		NUT AEROBAT -----							2	D
- 23	0711083-1		LATCH ASSY-CARGO TIE DOWN -----							2	
	NAS221-10		SCREW -----							2	
	AN960-10		WASHER -----							2	
			-----*								
- 24	0414022-1		RETAINER AEROBAT -----							2	D
<p>NOTE. #THIS PART NUMBER MUST HAVE A SECOND DASH NUMBER ADDED TO DENOTE COLOR. REFER TO HOW TO ORDER UPHOLSTERED PARTS-PAGE VI.</p> <p>NOTE. #THIS PART NUMBER MUST HAVE A SECOND DASH NUMBER ADDED TO DENOTE COLOR. REFER TO HOW TO ORDER INTERIOR PARTS-PAGE VII.</p> <p>A---150 SERIAL 15075782 & ON F150 SERIAL F15001144 & ON A150 SERIAL A1500524 & ON FA150 SERIAL FA1500262 & ON B---150 SERIAL 15075782 THRU 15077005</p> <p>CONTINUED ON NEXT PAGE</p>											

FIGURE AND INDEX NO.	PART NUMBER	DESCRIPTION	UNITS PER ASSY	USABLE ON CODE
42A-		<p>1 2 3 4 5 6 7</p> <p>C---150 SERIAL 15075782 & ON F150 SERIAL F15001144 & ON</p> <p>D---A150 SERIAL A1500524 & ON FA150 SERIAL FA1500262 & ON</p> <p>E---150 SERIAL 15075782 THRU 15077005 F150 SERIAL F15001144 THRU F15001248 A150 SERIAL A1500524 THRU A1500609 FA150 SERIAL FA1500262 THRU FA1500311</p> <p>F---150 SERIAL 15077006 & ON F150 SERIAL F15001249 & ON A150 SERIAL A1500610 & ON FA150 SERIAL FA1500312 & ON</p>		

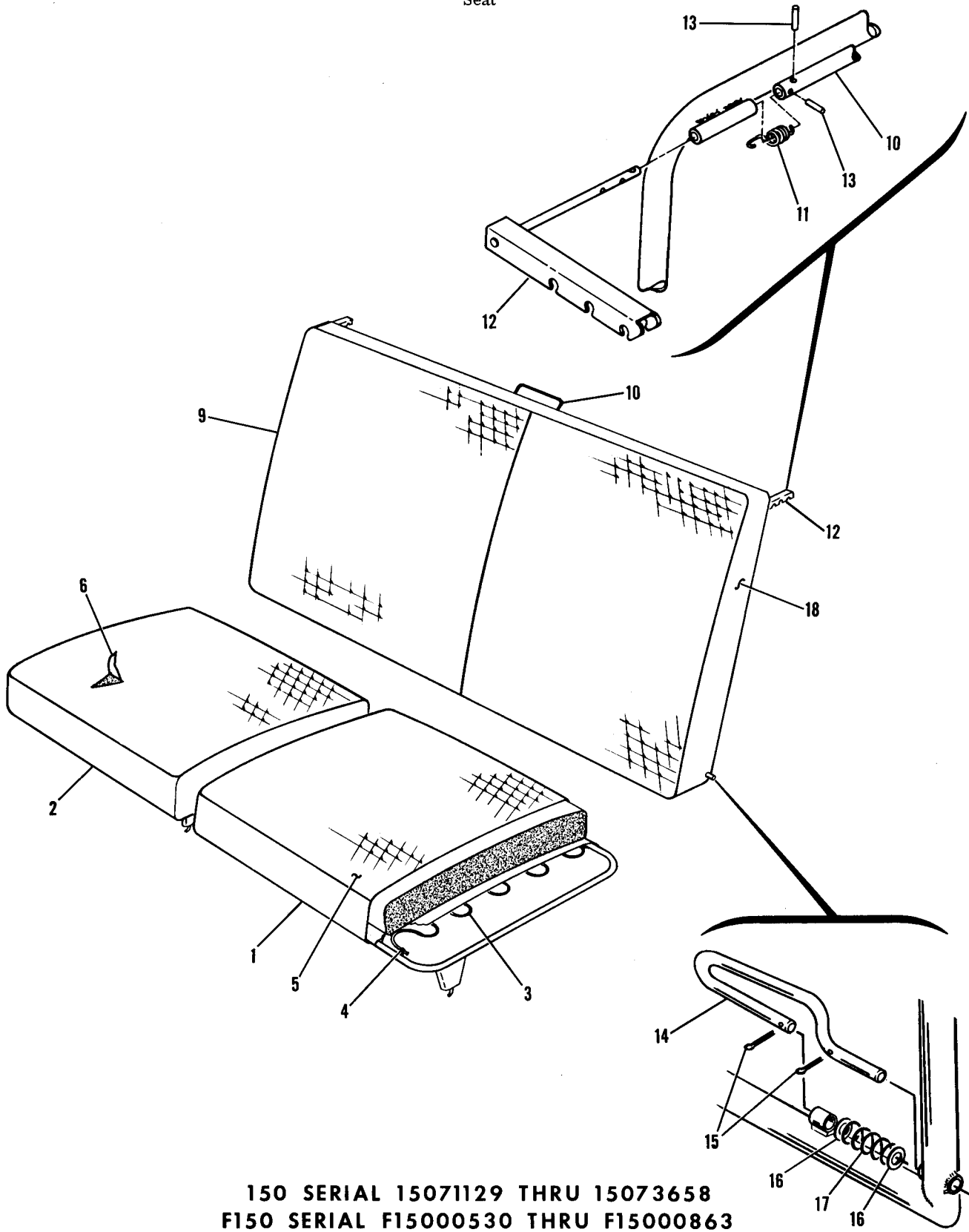


150 SERIAL 15075782 & ON
 F150 SERIAL F15001144 & ON
 A150 SERIAL A1500524 & ON
 FA150 SERIAL FA1500282 & ON

Figure 42B. Soundproofing Installation

FIGURE AND INDEX NO.	PART NUMBER	DESCRIPTION	UNITS PER ASSY	USABLE ON CODE
42B-		1 2 3 4 5 6 7		
- 1	0415016-2	SOUNDPROOFING INSTALLATION -----	NP	A
- 2	0415016-3	SOUNDPROOFING-COWL -----	2	
- 3	0415016-4	SOUNDPROOFING-DECK -----	1	
- 4	0415016-5	SOUNDPROOFING-WINGROOT LEADING EDGE -----	6	
		SOUNDPROOFING-WING ROOT -----	6	
		A---150 SERIAL 15075782 & ON F150 SERIAL F15001144 & ON A150 SERIAL A1500524 & ON FA150 SERIAL FA1500262 & ON		

Seat



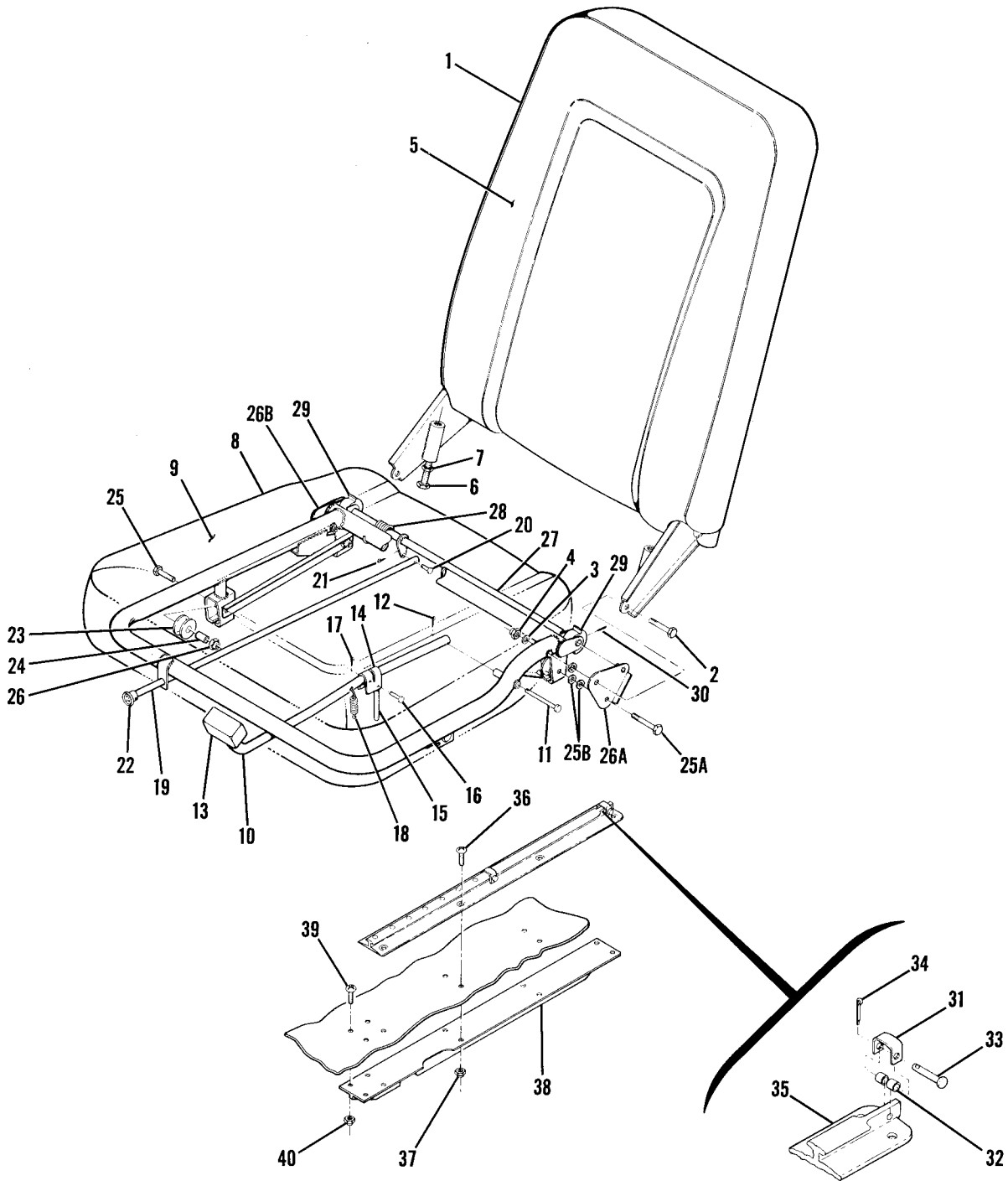
150 SERIAL 15071129 THRU 15073658
F150 SERIAL F15000530 THRU F15000863

Figure 43. Seat Installation



FIGURE AND INDEX NO.	PART NUMBER	DESCRIPTION							UNITS PER ASSY	USABLE ON CODE	
		1	2	3	4	5	6	7			
43 -											
- 1	0411205-1	#	SEAT INSTALLATION -----							NP	A
- 2	0411205-2	#	CUSHION ASSEMBLY-SEAT BOTTOM LH -----							1	
- 3	0411794-7		CUSHION ASSEMBLY-SEAT BOTTOM RH -----							1	
- 4	S1146-1		SPRING -----							3	
- 5	0411205-201	#	CLIP -----							6	
- 6	0411205-200	#	CGOVER ASSEMBLY-SEAT BOTTOM LH -----							1	
- 7			COVER ASSEMBLY-SEAT BOTTOM RH -----							1	
- 8			DELETED -----								
- 9			DELETED -----								
- 10	0400119-1	#	CUSHION ASSEMBLY-SEAT BACK -----							1	
- 11	0411623		LATCH -----							1	
	0511049		SPRING-LATCH LH -----							1	
	0511049-1		SPRING-LATCH RH -----							1	
- 12	0411935-1		LATCH ASSY-SEAT BACK LH -----							1	
	0411935-2		LATCH ASSY-SEAT BACK RH -----							1	
			ATTACHING PARTS								
- 13	NAS561P3-7		ROLL PIN EN -----							2	
			*-----								
- 14	0411938-1		PIN -----							1	
			ATTACHING PARTS								
- 15	MS24665-132		COTTER PIN -----							2	
- 16	AN960-416L		WASHER -----							2	
- 17	0411818		SPRING -----							1	
			*-----								
- 18	0400119-2	#	COVER ASSEMBLY-SEAT BACK UPHOLSTERY -----							1	
<p>NOTE. #THIS PART NUMBER MUST HAVE A SECOND DASH NUMBER ADDED TO DENOTE COLOR. REFER TO HOW TO ORDER UPHOLSTERED PARTS-PAGE VI.</p> <p>A---150 SERIAL 15071129 THRU 15073658 F150 SERIAL F15000530 THRU F15000863</p>											

Seat (Cont)



150 SERIAL 15071129 THRU 15072628
F150 SERIAL F15000530 THRU F15000738

Figure 44. Reclining Seat Installation

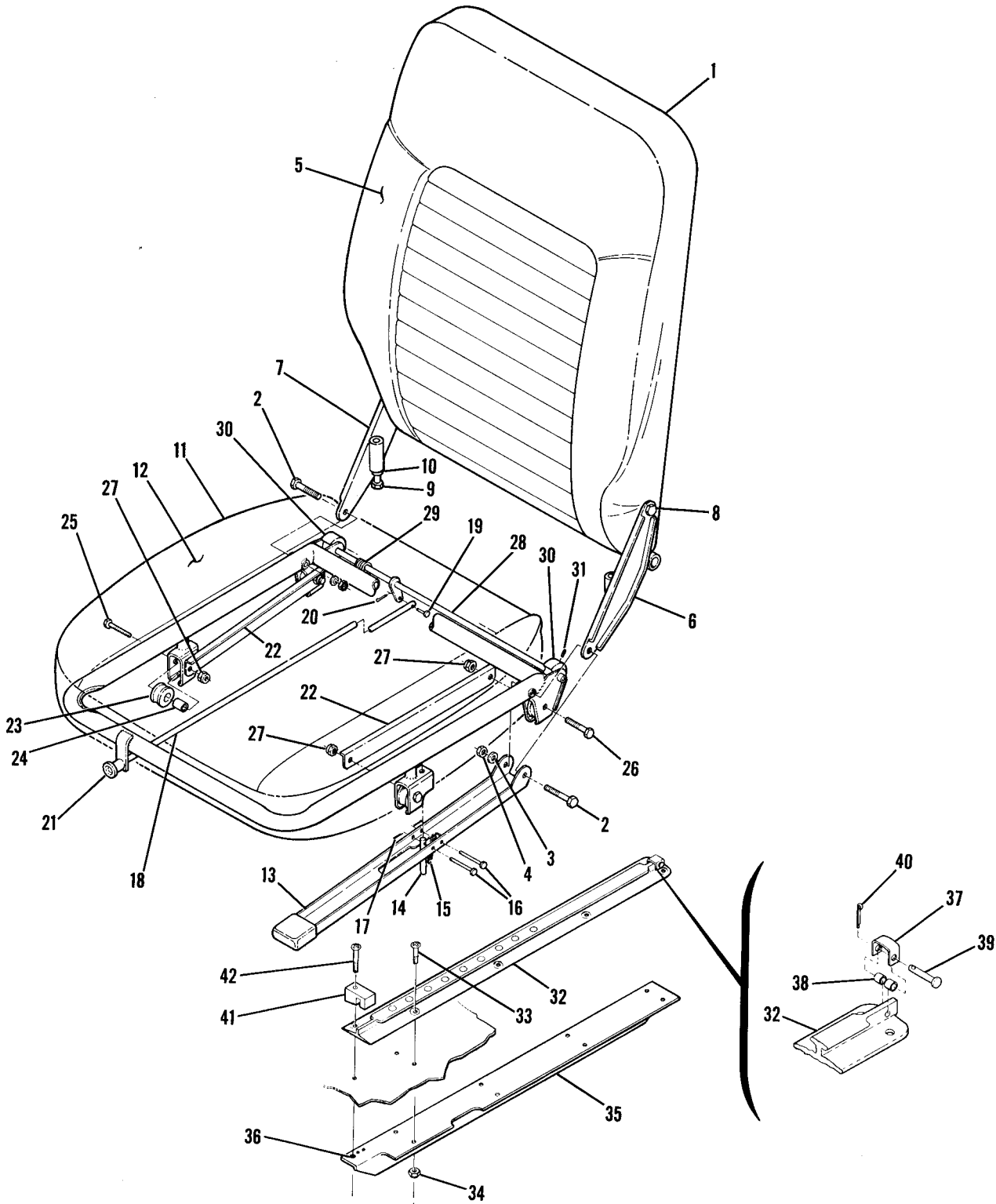
FIGURE AND INDEX NO.	PART NUMBER	DESCRIPTION	UNITS PER ASSY	USABLE ON CODE
		1 2 3 4 5 6 7		
44 -		RECLINING SEAT INSTALLATION -----	NP	A
	0414007-1 #	SEAT ASSEMBLY-RECLINING LH -----	1	B
	0414007-2 #	SEAT ASSEMBLY-RECLINING RH -----	1	B
	0414007-21 #	SEAT ASSEMBLY-RECLINING LH -----	1	C
	0414007-22 #	SEAT ASSEMBLY-RECLINING RH -----	1	C
- 1		SEAT BACK ASSEMBLY-UPHOLSTERED LH -----	NP	
		SEAT BACK ASSEMBLY-UPHOLSTERED RH -----	NP	
		ATTACHING PARTS		
- 2	AN3-13A	BOLT -----	2	B
	AN4-14A	BOLT -----	2	C
- 3	AN960-10	WASHER -----	2	B
	AN960-416	WASHER -----	AR	C
- 4	MS21044N3	NUT -----	2	B
	MS21042L4	NUT -----	2	C
		-----*-----		
- 5	0414007-17 #	COVER ASSEMBLY-SEAT BACK LH -----	1	B
	0414007-18 #	COVER ASSEMBLY-SEAT BACK RH -----	1	B
	0414007-27 #	COVER ASSEMBLY-SEAT BACK LH -----	1	C
	0414007-28 #	COVER ASSEMBLY-SEAT BACK RH -----	1	C
- 6	NAS428H4-12	BOLT-SEAT STOP -----	2	
- 7	AN315-4R	NUT-SEAT STOP -----	2	
- 8		SEAT BOTTOM ASSEMBLY-UPHOLSTERED LH -----	NP	
		SEAT BOTTOM ASSEMBLY-UPHOLSTERED RH -----	NP	
- 9	0414007-15 #	COVER ASSEMBLY-SEAT BOTTOM LH -----	1	B
	0414007-20 #	COVER ASSEMBLY-SEAT BOTTOM RH -----	1	B
	0414007-29 #	COVER ASSEMBLY-SEAT BOTTOM LH -----	1	C
	0414007-30 #	COVER ASSEMBLY-SEAT BOTTOM RH -----	1	C
-10	0414229-5	HANDLE ASSEMBLY-SEAT LATCH -----	1	
		ATTACHING PARTS		
-11	MS20392-2C59	PIN -----	1	
-12	MS24665-132	COTTER PIN -----	1	
		-----*-----		
-13	0700106-2	KNOB-HANDLE -----	1	
		ATTACHING PARTS		
	S1022Z6-8	SCREW -----	1	
		-----*-----		
-14	0311644	CLEVIS-SEAT LATCH -----	1	
		ATTACHING PARTS		
	MS24665-283	COTTER PIN -----	1	
		-----*-----		
-15	0411262-1	PIN-SEAT LATCH -----	1	
		ATTACHING PARTS		
-16	MS20392-1C15	PIN -----	1	
-17	MS24665-132	COTTER PIN -----	1	
		-----*-----		
-18	0411265-1	SPRING-SEAT LATCH -----	1	
-19	0411268-3	HANDLE ASSEMBLY-RECLINING SEAT -----	1	
		ATTACHING PARTS		
-20	MS20392-1C11	PIN -----	1	
-21	MS24665-132	COTTER PIN -----	1	
		-----*-----		
-22	0713303-19	KNOB-RECLINING SEAT -----	1	
		ATTACHING PARTS		
	NAS561CF2-6	ROLL PIN -----	1	
		-----*-----		
-23	0311310	ROLLER -----	4	
		ATTACHING PARTS		
-24	0311586	BUSHING -----	1	
-25	AN3-11A	BOLT -----	1	B
	AN3-11A	BOLT FORWARD ROLLERS ONLY -----	1	C
-25A	AN3-13A	BOLT AFT ROLLERS ONLY -----	1	C
-25B	AN960-10	WASHER AFT ROLLERS ONLY -----	AR	C
-26	MS21044N3	NUT -----	1	
		-----*-----		
-26A	0414031-1	PLATE ASSEMBLY OUTBD LH SEAT & INBD RH SEAT -----	1	C
-26B	0414031-2	PLATE ASSEMBLY INBD LH SEAT & OUTBD RH SEAT -----	1	C
-27	0411105-1	SHAFT ASSEMBLY-RECLINING SEAT -----	1	

CONTINUED ON NEXT PAGE

FIGURE AND INDEX NO.	PART NUMBER	DESCRIPTION	UNITS PER ASSY	USABLE ON CODE
44 -28	0411266-1	SPRING-RECLINING SEAT -----	1	
	0411267-1	CAM-RECLINING SEAT ----- ATTACHING PARTS	2	
-30	NAS561CF3-14	ROLL PIN ----- ---*---	1	
-31	0713074-1	STOP-SEAT -----	6	
		ATTACHING PARTS		
-32	NAS43DD1-9	SPACER -----	2	
-33	MS20392-1C21	PIN -----	1	
-34	MS24665-132	COTTER PIN ----- ---*---	1	
-35	0410219-1	SEAT RAIL-OUTBOARD -----	2	
	0410219-2	SEAT RAIL-INBOARD ----- ATTACHING PARTS	2	
-36	NAS221-8	SCREW -----	8	
-37	MS21044N3	NUT ----- ---*---	8	
-38	0411546-1	STIFFENER -----	3	
		ATTACHING PARTS		
-39	NAS221-8	SCREW -----	2	
-40	MS21044N3	NUT ----- ---*---	2	
<p>NOTE. #THIS PART NUMBER MUST HAVE A SECOND DASH NUMBER ADDED TO DENOTE COLOR. REFER TO HOW TO ORDER UPHOLSTERED PARTS--PAGE VI.</p> <p>A---150 SERIAL 15071129 THRU 15072628 F150 SERIAL F15000530 THRU F15000738</p> <p>B---150 SERIAL 15071129 THRU 15072003 F150 SERIAL F15000530 THRU F15000658</p> <p>C---150 SERIAL 15072004 THRU 15072628 F150 SERIAL F15000659 THRU F15000738</p>				

This page intentionally left blank.

Seat (Cont)



150 SERIAL 15072629 THRU 15073658
F150 SERIAL F15000739 THRU F15000863

Figure 44A. Reclining Seat Installation

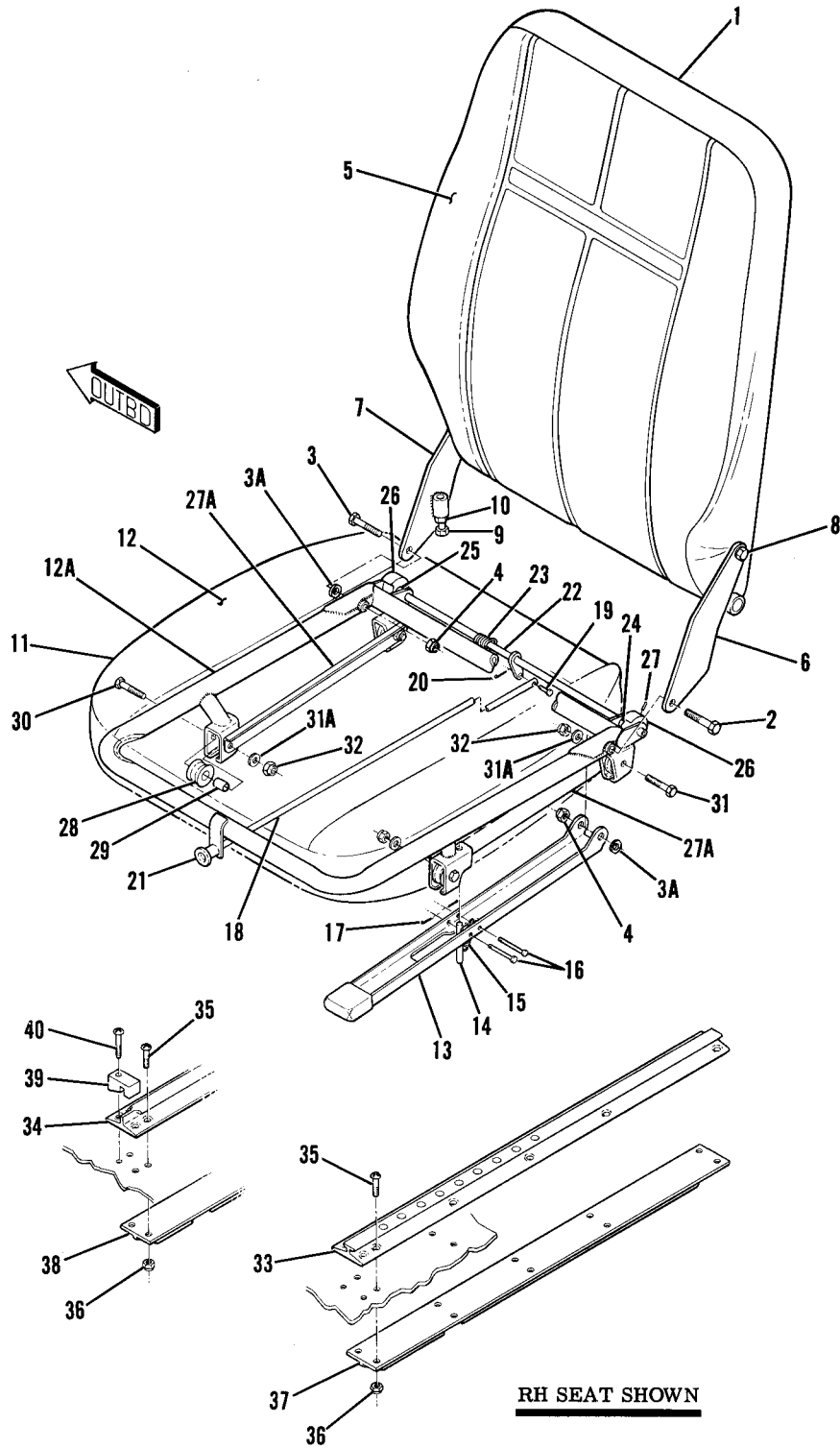
FIGURE AND INDEX NO.	PART NUMBER		DESCRIPTION	UNITS PER ASSY	USABLE ON CODE
			1 2 3 4 5 6 7		
44A-			RECLINING SEAT INSTALLATION -----	NP	A
- 1	0414033-1	#	SEAT ASSEMBLY-RECLINING -----	2	
			SEAT BACK ASSEMBLY-UPHOLSTERED -----	NP	
			ATTACHING PARTS -----		
- 2	AN4-14A		BOLT -----	2	
- 3	AN960-416L		WASHER -----	1	B
- 4	MS21042L4		NUT -----	2	
			---*---		
- 5	0414033-7	#	COVER ASSEMBLY-SEAT BACK -----	1	
- 6	0414038-1		HINGE ASSEMBLY-LH -----	1	
- 7	0414038-2		HINGE ASSEMBLY-RH -----	1	
			ATTACHING PARTS -----		
- 8	AN4-14A		BOLT -----	1	
	AN960-416		WASHER -----	1	
	MS21042L4		NUT -----	1	
			---*---		
- 9	NAS428-4-6		BOLT-SEAT STOP -----	2	
-10	AN315-4R		NUT-SEAT STOP -----	2	
-11			SEAT BOTTOM ASSEMBLY-UPHOLSTERED -----	NP	
-12	0414033-3	#	COVER ASSEMBLY-SEAT BOTTOM -----	1	
-13	0414035-10		LEVER ASSEMBLY-SEAT LATCH -----	1	
-14	0414035-6		PIN-SEAT LATCH -----	1	
-15	0411265-2		SPRING-SEAT LATCH -----	1	
-16	MS20392-1C39		PIN -----	2	
-17	MS24665-132		COTTER PIN -----	2	
-18	0411268-3		HANDLE ASSEMBLY-RECLINING SEAT -----	1	
			ATTACHING PARTS -----		
-19	MS20392-1C11		PIN -----	1	
-20	MS24665-132		COTTER PIN -----	1	
			---*---		
-21	0713303-19		KNOB-RECLINING SEAT -----	1	
			ATTACHING PARTS -----		
	NAS561CF2-6		ROLL PIN -----	1	
			---*---		
-22	0414025-1		BRACE -----	2	
-23	0311310		ROLLER -----	4	
			ATTACHING PARTS -----		
-24	0311586		BUSHING -----	1	
-25	AN3-11A		BOLT FWD ROLLERS ONLY -----	1	
-26	AN3-13A		BOLT AFT ROLLERS ONLY -----	1	
-27	MS21044N3		NUT -----	1	
			---*---		
-28	0414035-15		SHAFT ASSEMBLY-RECLINING SEAT -----	1	
-29	0411266-1		SPRING-RECLINING SEAT -----	1	
-30	0411267-1		CAM-RECLINING SEAT -----	2	
			ATTACHING PARTS -----		
-31	NAS561CF3-14		ROLL PIN -----	1	
			---*---		
-32	0410230-3		SEAT RAIL-LH OUTBOARD & RH INBOARD -----	2	
	0410230-2		SEAT RAIL-RH OUTBOARD & LH INBOARD -----	2	
			ATTACHING PARTS -----		
-33	NAS221-8		SCREW -----	9	
-34	MS21044N3		NUT -----	9	
			---*---		
-35	0410230-4		STIFFENER ASSEMBLY -----	3	
-36	NAS682A3		NUTPLATE -----	1	
-37	0713074-1		SEAT STOP -----	4	
			ATTACHING PARTS -----		
-38	NAS43DD1-9		SPACER -----	2	
-39	MS20392-1C21		PIN -----	1	
-40	MS24665-132		COTTER PIN -----	1	
			---*---		
-41	0410232-1		SEAT STOP -----	2	
			ATTACHING PARTS -----		
-42	NAS221-17		SCREW -----	1	
			---*---		

NOTE. #THIS PART NUMBER MUST HAVE A SECOND DASH NUMBER ADDED TO DENOTE COLOR. REFER TO HOW TO ORDER UPHOLSTERED PARTS-PAGE VI.

A---150 SERIAL 15072629 THRU 15073658
 F150 SERIAL F15000739 THRU F15000863

B---150 SERIAL 15072629 THRU 15072889
 F150 SERIAL F15000739 THRU F15000863

Seat (Cont)



150 SERIAL 15073659 THRU 15075781
F150 SERIAL F15000864 THRU F15001143

Figure 44B. Reclining Seat Installation



FIGURE AND INDEX NO.	PART NUMBER		DESCRIPTION						UNITS PER ASSY	USABLE ON CODE
			1	2	3	4	5	6		
44B-			RECLINING SEAT INSTALLATION						NP	A
	0414041-1	#	SEAT ASSEMBLY-RECLINING LH			WITH CLOUD GRAY INSERTS			1	B
	0414041-2	#	SEAT ASSEMBLY-RECLINING RH			WITH CLOUD GRAY INSERTS			1	B
	0414041-11	#	SEAT ASSEMBLY-RECLINING LH			SOLID COLOR OVERALL			1	C
	0414041-12	#	SEAT ASSEMBLY-RECLINING RH			SOLID COLOR OVERALL			1	C
	0415007-1	#	SEAT ASSEMBLY-RECLINING LH			WITH CLOUD GRAY INSERTS			1	D
	0415007-2	#	SEAT ASSEMBLY-RECLINING RH			WITH CLOUD GRAY INSERTS			1	D
	0415009-1	#	SEAT ASSEMBLY-RECLINING LH			SOLID COLOR OVERALL			1	E
	0415009-2	#	SEAT ASSEMBLY-RECLINING RH			SOLID COLOR OVERALL			1	E
- 1			SEAT BACK ASSEMBLY-UPHOLSTERED						NP	
			ATTACHING PARTS							
- 2	AN4-15A		BOLT INBD						1	
- 3	AN4-14A		BOLT OUTBD						1	
- 3A	AN960-416L		WASHER						2	
- 4	MS21042L4		NUT						2	
			*---							
- 5	0414041-7	#	COVER ASSEMBLY-SEAT BACK			WITH CLOUD GRAY INSERT			1	B
	0414041-15	#	COVER ASSEMBLY-SEAT BACK			SOLID COLOR OVERALL			1	C
	0415007-12	#	COVER ASSEMBLY-SEAT BACK			WITH CLOUD GRAY INSERT			1	D
	0415009-5	#	COVER ASSEMBLY-SEAT BACK			SOLID COLOR OVERALL			1	E
			ATTACHING PARTS							
	S1021A4-6		SCREW						4	
	AN960-4L		WASHER						4	
			*---							
- 6	0414039-1		HINGE ASSEMBLY-LH						1	
- 7	0414039-2		HINGE ASSEMBLY-RH						1	
			ATTACHING PARTS							
- 8	AN4-14A		BOLT						1	
	AN960-416		WASHER						1	
	MS21042L4		NUT						1	
			*---							
- 9	NAS428-4-6		BOLT-SEAT STOP						2	
-10	AN315-4R		NUT-SEAT STOP						2	
-11			SEAT BOTTOM ASSEMBLY-UPHOLSTERED						NP	
-12	0414041-3	#	COVER ASSEMBLY-SEAT BOTTOM			WITH CLOUD GRAY INSERT			1	B
	0414041-9	#	COVER ASSEMBLY-SEAT BOTTOM			SOLID COLOR OVERALL			1	C
	0415007-13	#	COVER ASSEMBLY-SEAT BOTTOM			WITH CLOUD GRAY INSERT			1	D
	0415009-6	#	COVER ASSEMBLY-SEAT BOTTOM			SOLID COLOR OVERALL			1	E
-12A	0414040-6		FRAME ASSY-WELDED SEAT BOTTOM RH						1	
	0414040-5		FRAME ASSY-WELDED SEAT BOTTOM LH						1	
	0414041-4		DIAPHRAGM-SEAT BOTTOM						1	
-13	0414040-11		LEVER ASSEMBLY-SEAT LATCH						1	
-14	0414035-6		PIN-SEAT LATCH						1	
-15	0411265-2		SPRING-SEAT LATCH						1	
-16	MS20392-1C35		PIN						2	
-17	MS24665-132		COTTER PIN						2	
-18	0411268-3		HANDLE ASSEMBLY-RECLINING SEAT						1	
			ATTACHING PARTS							
-19	MS20392-1C11		PIN						1	
-20	MS24665-132		COTTER PIN						1	
			*---							
-21	0713303-19		KNOB-RECLINING SEAT						1	
			ATTACHING PARTS							
	NAS561CF2-6		ROLL PIN						1	
			*---							
-22	0414040-15		SHAFT ASSEMBLY-RECLINING SEAT						1	
-23	0411266-1		SPRING						1	
-24	NAS43HT5-14		SPACER INBD						1	
-25	NAS43HT5-24		SPACER OUTBD						1	
-26	0411267-1		CAM-RECLINING SEAT						2	
			ATTACHING PARTS							
-27	NAS561C3-14		ROLL PIN						1	
			*---							
-27A	0414066-1		BRACE						2	
-28	0311310		ROLLER						4	
			ATTACHING PARTS							
-29	0311586		BUSHING						1	
-30	AN3-11A		BOLT FWD ROLLERS			USED WITHOUT 0414066-1 BRACE			1	
	AN3-12A		BOLT FWD ROLLERS			USED WITH 0414066-1 BRACE			1	
-31	AN3-12A		BOLT AFT ROLLERS			USED WITHOUT 0414066-1 BRACE			1	
	AN3-13A		BOLT AFT ROLLERS			USED WITH 0414066-1 BRACE			1	
-31A	AN960-10		WASHER						1	
-32	MS21044N3		NUT						1	
			*---							

CONTINUED ON NEXT PAGE

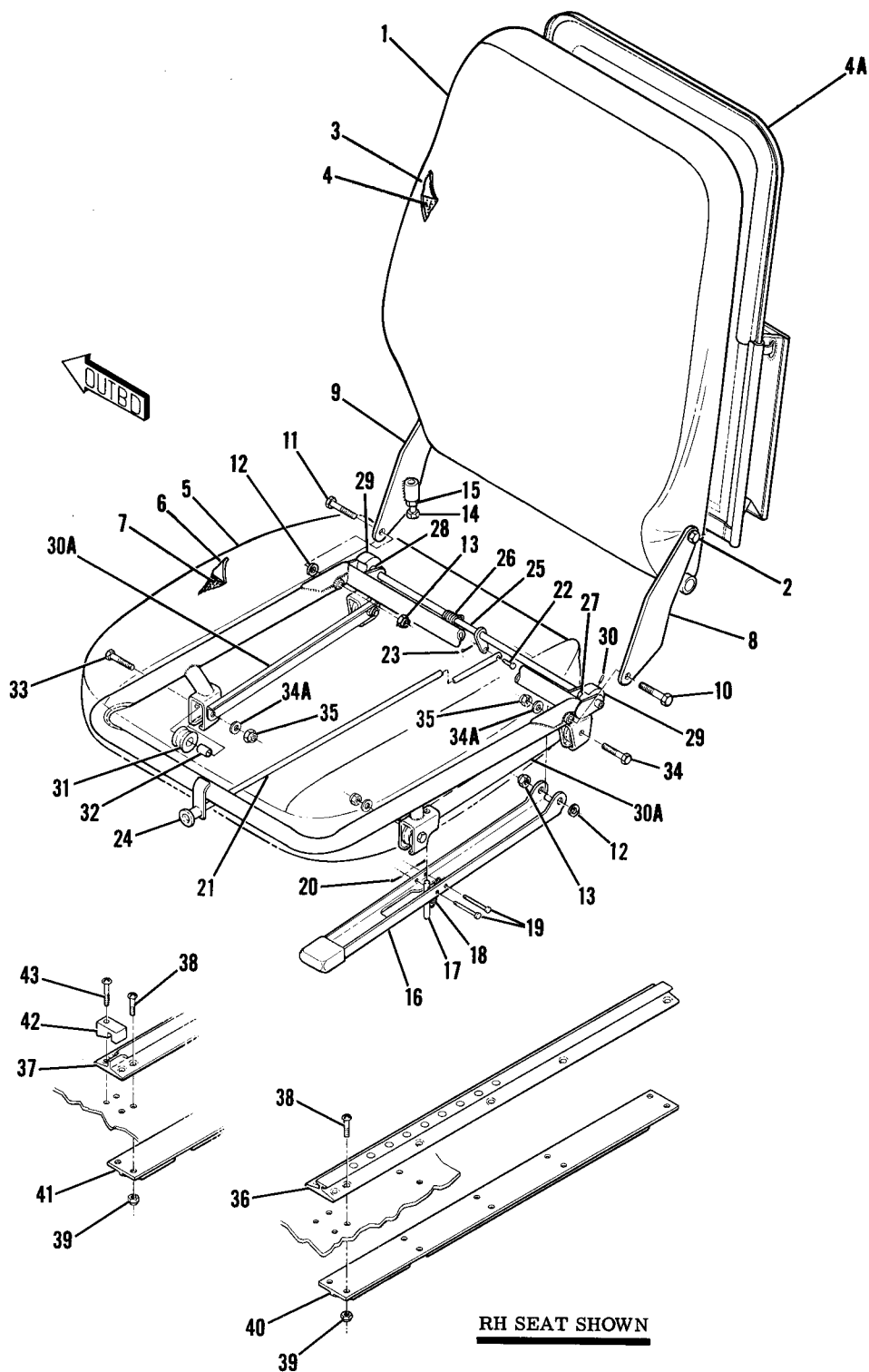
FIGURE AND INDEX NO.	PART NUMBER	DESCRIPTION	UNITS PER ASSY	USABLE ON CODE
		1 2 3 4 5 6 7		
44B-33	0410235-3	SEAT RAIL-INBD WEU 0410235-6 -----	2	
	0410235-6	SEAT RAIL-INBD -----	2	
-34	0410235-2	SEAT RAIL-RH OUTBD -----	1	
	0410235-1	SEAT RAIL-LH OUTBD -----	1	
		ATTACHING PARTS		
-35	NAS221-8	SCREW -----	10	
-36	MS21044N3	NUT -----	10	
		-----*		
-37	0410236-2	STIFFENER RH INBD ONLY -----	1	
-38	0410236-1	STIFFENER OUTBD -----	2	
-39	0410232-1	SEAT STOP OUTBD RAIL ONLY -----	2	
		ATTACHING PARTS		
-40	NAS221-17	SCREW -----	1	
		-----*		
<p>NOTE. #THIS PART NUMBER MUST HAVE A SECOND DASH NUMBER ADDED TO DENOTE COLOR. REFER TO HOW TO ORDER UPHOLSTERED PARTS-PAGE VI.</p> <p>A---150 SERIAL 15073659 THRU 15075781 F150 SERIAL F15000864 THRU F15001143 B---150 SERIAL 15073659 THRU 15074850 F150 SERIAL F15000864 THRU F15001013 C---150 SERIAL 15073659 THRU 15074850 D---150 SERIAL 15074851 THRU 15075781 F150 SERIAL F15001014 THRU F15001143 E---150 SERIAL 15074851 THRU 15075781</p>				



FIGURE AND INDEX NO.	PART NUMBER	DESCRIPTION							UNITS PER ASSY	USABLE ON CODE		
		1	2	3	4	5	6	7				
44C-			RECLINING SEAT INSTALLATION -----							NP	A	
		0414048-2	#	SEAT ASSY-RECLINING RH	WITH EMBOSSED VINYL INSERT	-----				1	C	
		0414048-1	#	SEAT ASSY-RECLINING LH	WITH EMBOSSED VINYL INSERT	-----				1	C	
		0414060-2	#	SEAT ASSY-RECLINING RH	WITH EMBOSSED VINYL INSERT	-----				1	D	
		0414060-1	#	SEAT ASSY-RECLINING LH	WITH EMBOSSED VINYL INSERT	-----				1	D	
		0414050-2	#	SEAT ASSY-RECLINING RH	PLAIN PERFORATED VINYL OVERALL	-----				1	B	
		0414050-1	#	SEAT ASSY-RECLINING LH	PLAIN PERFORATED VINYL OVERALL	-----				1	B	
	- 1		#	SEAT BACK ASSY	WITH EMBOSSED VINYL INSERT	-----				1	C	
		0414060-5	#	SEAT BACK ASSY	WITH EMBOSSED VINYL INSERT	-----				1	D	
		0414050-5	#	SEAT BACK ASSY	PLAIN PERFORATED VINYL OVERALL	-----				1	B	
				ATTACHING PARTS								
	- 2	AN4-14A		BOLT -----							2	
		AN960-416		WASHER UNDER BOLT HEAD -----							2	
	MS21042L4		NUT -----							2		
			----*----									
- 3	0414048-11	#	COVER ASSY-SEAT BACK	WITH EMBOSSED VINYL INSERT	-----				1	C		
	0414060-6	#	COVER ASSY-SEAT BACK	WITH EMBOSSED VINYL INSERT	-----				1	D		
	0415009-5	#	COVER ASSY-SEAT BACK	PLAIN PERFORATED VINYL OVERALL	-----				1	B		
			ATTACHING PARTS									
	S1021A4-6		SCREW -----							4		
	AN960-4L		WASHER -----							4		
			----*----									
- 4	0414048-8		CUSHION ASSY USED WITH 0414048-11 COVER -----							1	C	
	0414060-9		CUSHION ASSY -----							1	D	
	0415007-17		CUSHION ASSY USED WITH 0415009-5 COVER -----							1	B	
- 4A	0414063-1	□	TRIM ASSY-SEAT BACK -----							1	D	
			ATTACHING PARTS									
	S1021A4-6		SCREW -----							6	D	
	S1023A6-6		SCREW -----							4	D	
	S2255-1		WASHER -----							4	D	
			----*----									
- 5	0414048-6	#	SEAT BOTTOM ASSY-RH	WITH EMBOSSED VINYL INSERT	-----				1	C		
	0414048-7	#	SEAT BOTTOM ASSY-LH	WITH EMBOSSED VINYL INSERT	-----				1	C		
	0414060-4	#	SEAT BOTTOM ASSY-RH	WITH EMBOSSED VINYL INSERT	-----				1	D		
	0414060-3	#	SEAT BOTTOM ASSY-LH	WITH EMBOSSED VINYL INSERT	-----				1	D		
	0414050-4	#	SEAT BOTTOM ASSY-RH	PLAIN PERFORATED VINYL OVERALL	-----				1	B		
	0414050-3	#	SEAT BOTTOM ASSY-LH	PLAIN PERFORATED VINYL OVERALL	-----				1	B		
- 6	0414048-13	#	COVER ASSY-SEAT BOTTOM	WITH EMBOSSED VINYL INSERT	-----				1	C		
	0414060-7	#	COVER ASSY-SEAT BOTTOM	WITH EMBOSSED VINYL INSERT	-----				1	D		
	0415009-6	#	COVER ASSY-SEAT BOTTOM	PLAIN PERFORATED VINYL OVERALL	-----				1	B		
- 7	0414048-4	#	CUSHION ASSY USED WITH 0414048-13 & 0414060-7 COVERS							1		
	0415007-18	#	CUSHION ASSY USED WITH 0415009-6 COVER							1	B	
- 8	0414039-1		HINGE ASSY-LH -----							1		
- 9	0414039-2		HINGE ASSY-RH -----							1		
			ATTACHING PARTS									
-10	AN4-15A		BOLT INBD -----							1		
-11	AN4-14A		BOLT OUTBD -----							1		
-12	AN960-416L		WASHER -----							1		
-13	MS21042L4		NUT -----							1		
			----*----									

CONTINUED ON NEXT PAGE

Seat (Cont)



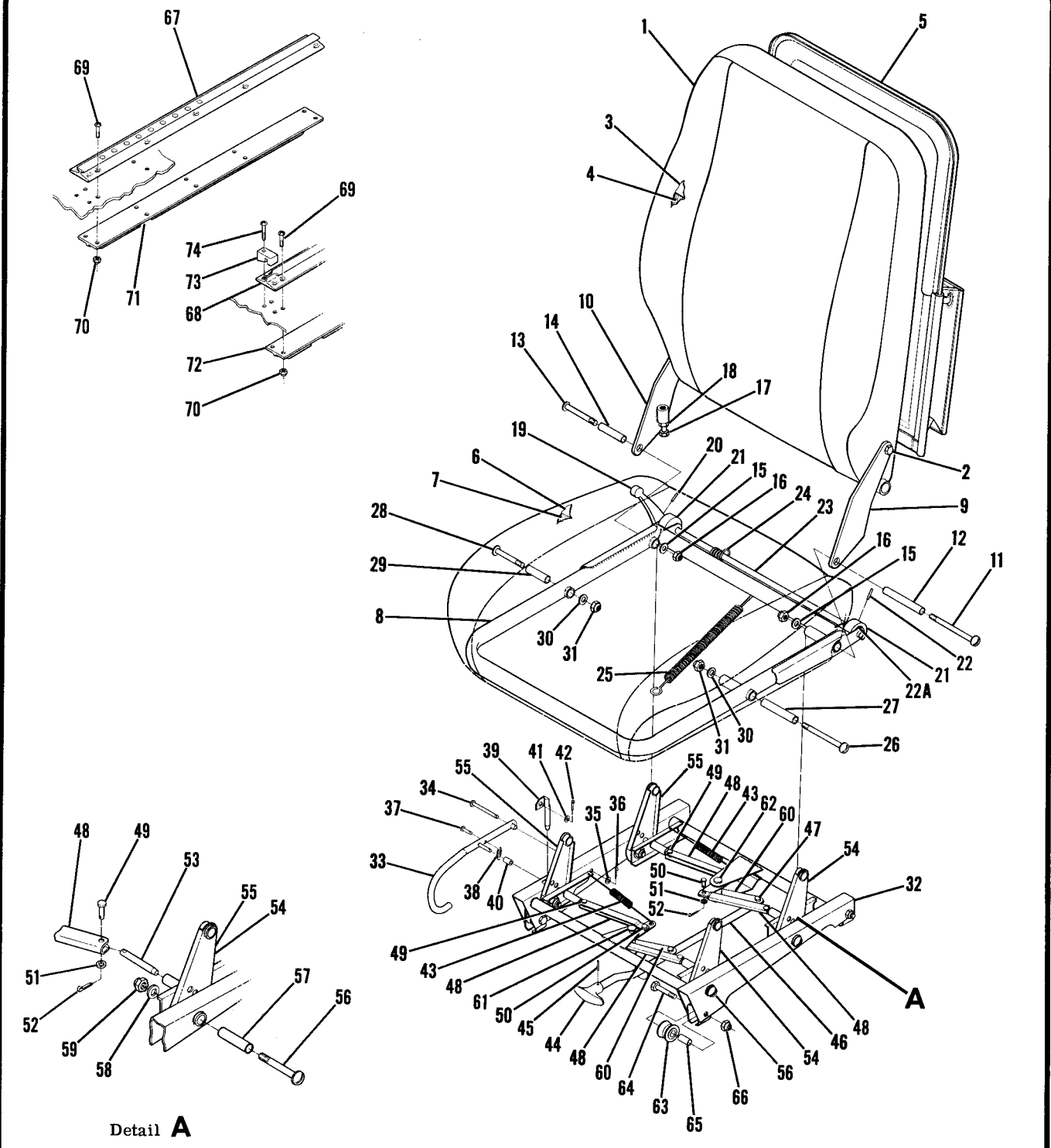
150 SERIAL 15075782 & ON
F150 SERIAL F15001144 & ON

Figure 44C. Reclining Seat Installation



FIGURE AND INDEX NO.	PART NUMBER	DESCRIPTION							UNITS PER ASSY	USABLE ON CODE
		1	2	3	4	5	6	7		
44C-14	NAS428-4-6	BOLT	SEAT STOP						2	
-15	AN315-4R	NUT	SEAT STOP						2	
-16	0414040-11	LEVER ASSY-SEAT LATCH							1	
-17	0414035-6	PIN-SEAT LATCH							1	
-18	0411265-2	SPRING-SEAT LATCH							1	
-19	MS20392-1C35	PIN							2	
-20	MS24665-132	COTTER PIN							2	
-21	0411268-3	HANDLE ASSY-RECLINING SEAT							1	
		ATTACHING PARTS								
-22	MS20392-1C11	PIN							1	
-23	MS24665-132	COTTER PIN							1	
		*---								
-24	0713303-19	KNOB-HANDLE							1	
		ATTACHING PARTS								
	NAS561CF2-6	ROLL PIN							1	
		*---								
-25	0414040-15	SHAFT ASSY-RECLINING SEAT							1	
-26	0411266-1	SPRING							1	
-27	NAS43HT5-14	SPACER INBD							1	
-28	NAS43HT5-24	SPACER OUTBD							1	
-29	0411267-1	CAM-RECLINING SEAT							2	
		ATTACHING PARTS								
-30	NAS561C3-14	ROLL PIN							1	
		*---								
-30A	0414066-1	BRACE							2	
-31	0311310	ROLLER							4	
		ATTACHING PARTS								
-32	0311586	BUSHING							1	
-33	AN3-11A	BOLT FWD ROLLERS	USED WITHOUT	0414066-1	BRACE				1	
	AN3-12A	BOLT FWD ROLLERS	USED WITH	0414066-1	BRACE				1	
-34	AN3-12A	BOLT AFT ROLLERS	USED WITHOUT	0414066-1	BRACE				1	
	AN3-13A	BOLT AFT ROLLERS	USED WITH	0414066-1	BRACE				1	
-34A	AN960-10	WASHER	USED WITH	0414066-1	BRACE				1	
-35	MS21044N3	NUT							1	
		*---								
-36	0410235-3	SEAT RAIL-INBD	WEU	0410235-6					2	E
	0410235-6	SEAT RAIL-INBD							2	F
-37	0410235-2	SEAT RAIL-RH OUTBD							1	
	0410235-1	SEAT RAIL-LH OUTBD							1	
		ATTACHING PARTS								
-38	NAS221-8	SCREW							10	
-39	MS21044N3	NUT							10	
		*---								
-40	0410236-2	STIFFENER	RH INBD ONLY						1	
-41	0410236-1	STIFFENER	OUTBD						2	
-42	0410232-1	SEAT STOP	OUTBD RAIL ONLY						2	
		ATTACHING PARTS								
-43	NAS221-17	SCREW							1	
		*---								
<p>NOTE. #THIS PART NUMBER MUST HAVE A SECOND DASH NUMBER ADDED TO DENOTE COLOR. REFER TO HOW TO ORDER UPHOLSTERED PARTS-PAGE VI.</p> <p>NOTE. □THIS PART NUMBER MUST HAVE A SECOND DASH NUMBER ADD TO DENOTE COLOR. REFER TO HOW TO ORDER INTERIOR PARTS-PAGE VII.</p> <p>A---150 SERIAL 15075782 & ON F150 SERIAL F15001144 & ON</p> <p>B---150 SERIAL 15075782 THRU 15077005</p> <p>C---150 SERIAL 15075782 THRU 15077005 F150 SERIAL F15001144 THRU F15001248</p> <p>D---150 SERIAL 15077006 & ON F150 SERIAL F15001249 & ON</p> <p>E---150 SERIAL 15075782 THRU 15077641 F150 SERIAL F15001144 THRU F15001323</p> <p>F---150 SERIAL 15077642 & ON F150 SERIAL F15001324 & ON</p>										

Seat (Cont)



150 SERIAL 15077006 & ON
F150 SERIAL F15001249 & ON
Figure 44D. Vertical Adjustable Seat Installation



FIGURE AND INDEX NO.	PART NUMBER		DESCRIPTION							UNITS PER ASSY	USABLE ON CODE
			1	2	3	4	5	6	7		
44D-			VERTICAL ADJUSTABLE SEAT INSTALLATION -----							NP	A
	0414056-1	#	SEAT ASSY-VERTICAL ADJUSTABLE LH -----							1	
	0414056-2	#	SEAT ASSY-VERTICAL ADJUSTABLE RH -----							1	
- 1	0414060-5	#	SEAT BACK ASSY-UPHOLSTERED -----							1	
			ATTACHING PARTS -----								
- 2	AN4-14A		BOLT -----							2	
	AN960-416		WASHER UNDER BOLT HEAD -----							2	
	MS21042L4		NUT -----							2	
			-----*								
- 3	0414060-6	#	COVER ASSY-SEAT BACK -----							1	
- 4	0414060-9		CUSHION ASSY-SEAT BACK -----							1	
- 5	0414063-1	□	TRIM ASSY-SEAT BACK -----							1	
			ATTACHING PARTS -----								
	S1021A4-6		SCREW -----							6	
	S1021A6-6		SCREW -----							4	
	S2255-1		WASHER -----							4	
			-----*								
	0414056-3	#	SEAT BOTTOM ASSY-UPHOLSTERED LH -----							1	
	0414056-4	#	SEAT BOTTOM ASSY-UPHOLSTERED RH -----							1	
- 6	0414060-7	#	COVER ASSY-SEAT BOTTOM -----							1	
- 7	0414048-4		CUSHION ASSY-SEAT BOTTOM -----							1	
	0414041-4		DIAPHRAGM-SEAT BOTTOM -----							1	
	0414065-1		SCUFF PLATE-DIAPHRAGM -----							2	
- 8	0414053-1		FRAME ASSY-LH -----							1	
	0414053-2		FRAME ASSY-RH -----							1	
- 9	0414039-5		HINGE ASSY-LH -----							1	
-10	0414039-6		HINGE ASSY-RH -----							1	
			ATTACHING PARTS -----								
-11	AN24-48A		BOLT OUTBD -----							1	
-12	0414054-22		SPACER OUTBD -----							1	
-13	AN24-32A		BOLT INBD -----							1	
-14	0414054-20		SPACER INBD -----							1	
-15	AN960-416		WASHER -----							1	
-16	MS21044N4		NUT -----							1	
			-----*								
-17	NAS428-4-6		BOLT-SEAT STOP -----							2	
-18	AN315-4R		NUT-SEAT STOP -----							2	
-19	0710312-3		HANDLE-RECLINING SEAT -----							1	
			ATTACHING PARTS -----								
-20	NAS561C3-10		ROLL PIN -----							1	
			-----*								
-21	0411267-1		CAM-RECLINING SEAT -----							2	
			ATTACHING PARTS -----								
-22	NAS561C3-14		ROLL PIN -----							1	
			-----*								
-22A	AN960-516		WASHER -----							4	
-23	0414054-24		SHAFT-RECLINING SEAT-LH -----							1	
	0414054-35		SHAFT-RECLINING SEAT-RH -----							1	
-24	0411266-1		SPRING-RECLINING SEAT -----							1	
-25	0414061-1		SPRING-VERTICAL SEAT ADJUST -----							1	
-26	AN24-44A		BOLT OUTBD -----							1	
-27	0414054-21		SPACER OUTBD -----							1	
-28	AN24-27A		BOLT INBD -----							1	
-29	0414054-18		SPACER INBD -----							1	
-30	AN960-416		WASHER -----							2	
-31	MS21044N4		NUT -----							2	
-32	0414053-3		PEDESTAL ASSY-WELDED LH -----							1	
	0414053-4		PEDESTAL ASSY-WELDED RH -----							1	
-33	0414054-41		HANDLE ASSY-LH -----							1	
	0414054-40		HANDLE ASSY-RH -----							1	
			ATTACHING PARTS -----								
-34	MS20392-1C47		PIN -----							1	
-35	AN960-4L		WASHER -----							1	
-36	MS24665-172		COTTER PIN -----							1	
			-----*								
-37	MS20392-1C11		PIN -----							1	
-38	0411265-2		SPRING -----							1	
-39	0414054-37		PIN ASSY-LOCKING LH -----							1	
	0414054-38		PIN ASSY-LOCKING RH -----							1	
			ATTACHING PARTS -----								
-40	NAS43HT1-27		SPACER -----							1	
-41	AN960-4L		WASHER -----							1	
-42	MS24665-172		COTTER PIN -----							1	
			-----*								
-43	1414116-3		SPRING -----							2	

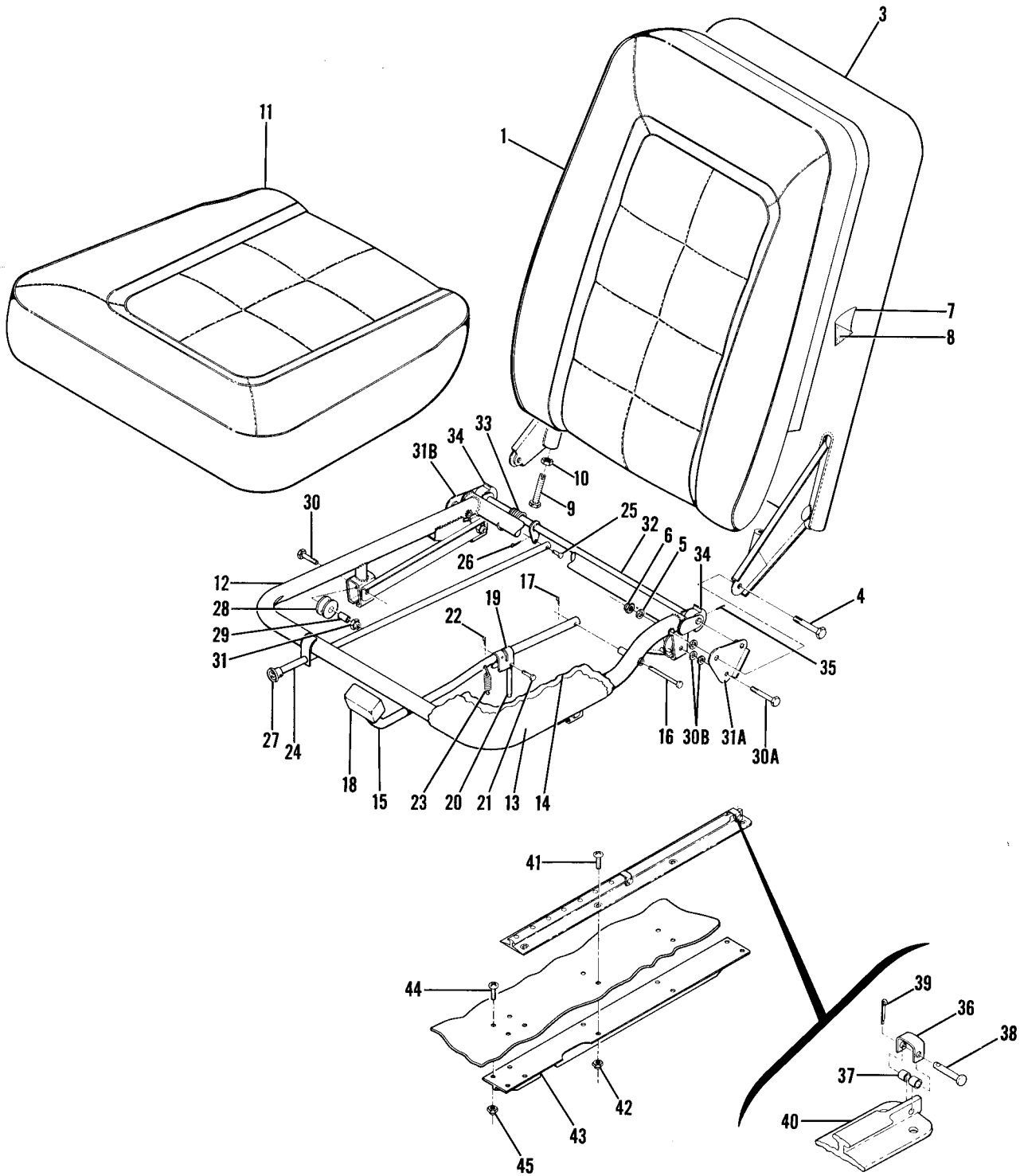
CONTINUED ON NEXT PAGE



FIGURE AND INDEX NO.	PART NUMBER	DESCRIPTION							UNITS PER ASSY	USABLE ON CODE
		1	2	3	4	5	6	7		
44D-44	0414057-1	HANDLE-SEAT RELEASE ----- ATTACHING PARTS -----							1	
-45	NAS561-3-8	ROLL PIN ----- -----*							1	
-46	0414054-11	SHAFT-SEAT RELEASE ----- ATTACHING PARTS -----							1	
-47	MS20392-2C15	PIN -----							2	
	AN960-10L	WASHER -----							2	
	MS24665-132	COTTER PIN ----- -----*							2	
-48	0414054-5	LINKAGE ----- ATTACHING PARTS -----							4	
-49	MS20392-1C11	PIN -----							1	
-50	MS20392-1C7	PIN -----							1	
-51	AN960-4L	WASHER -----							2	
-52	MS24665-170	COTTER PIN ----- -----*							2	
-53	0414054-10	PIN-SEAT RELEASE -----							4	
-54	0414054-8	BELLCRANK ASSY-LH -----							2	
-55	0414054-7	BELLCRANK ASSY-RH ----- ATTACHING PARTS -----							2	
-56	AN24-30A	BOLT -----							1	
-57	0414054-19	SPACER -----							1	
-58	AN960-416	WASHER -----							1	
-59	MS21044N4	NUT ----- -----*							1	
-60	0414054-31	BELLCRANK ASSY ----- ATTACHING PARTS -----							2	
-61	MS20392-3C39	PIN FWD -----							1	
-62	MS20392-3C33	PIN AFT -----							1	
	AN960-416L	WASHER -----							1	
	MS24665-134	COTTER PIN ----- -----*							1	
-63	0311310	ROLLER ----- ATTACHING PARTS -----							4	
-64	AN3-12A	BOLT -----							1	
-65	0311586	BUSHING -----							1	
-66	MS21044N3	NUT ----- -----*							1	
-67	0410235-3	SEAT RAIL-INBD WEU 0410235-6 -----							2	B
	0410235-6	SEAT RAIL INBD -----							2	C
-68	0410235-1	SEAT RAIL-LH OUTBD -----							1	
	0410235-2	SEAT RAIL-RH OUTBD ----- ATTACHING PARTS -----							1	
-69	NAS221-8	SCREW -----							10	
-70	MS21044N3	NUT ----- -----*							10	
-71	0410236-2	STIFFENER RH INBD ONLY -----							1	
-72	0410236-1	STIFFENER OUTBD -----							2	
-73	0410232-1	SEAT STOP OUTBD RAILS ONLY ----- ATTACHING PARTS -----							2	
-74	NAS221-17	SCREW ----- -----*							1	
<p>NOTE. #THIS PART NUMBER MUST HAVE A SECOND DASH NUMBER ADDED TO DENOTE COLOR. REFER TO HOW TO ORDER UPHOLSTERED PARTS-PAGE VI.</p> <p>NOTE. □THIS PART NUMBER MUST HAVE A SECOND DASH NUMBER ADDED TO DENOTE COLOR. REFER TO HOW TO ORDER INTERIOR PARTS-PAGE VII.</p> <p>A---150 SERIAL 15077006 & ON F150 SERIAL F15001249 & ON</p> <p>B---150 SERIAL 15077006 THRU 15077641 F150 SERIAL F15001249 THRU F15001323</p> <p>C---150 SERIAL 15077642 & ON F150 SERIAL F15001324 & ON</p>										

This page intentionally left blank.

Seat (Cont)



A150 SERIAL A1500001 THRU A1500276
FA150 SERIAL FA1500001 THRU FA1500166

Figure 45. Reclining Seat Installation - Aerobat

FIGURE AND INDEX NO.	PART NUMBER		DESCRIPTION							UNITS PER ASSY	USABLE ON CODE
			1	2	3	4	5	6	7		
45 -			RECLINING SEAT INSTALLATION AEROBAT -----							NP	A
	0414009-15	#	SEAT ASSEMBLY-RECLINING RH -----							1	
	0414009-16	#	SEAT ASSEMBLY-RECLINING RH -----							1	
- 1	0414009-5	#	CUSHION ASSEMBLY-SEAT BACK LH -----							1	
	0414009-6	#	CUSHION ASSEMBLY-SEAT BACK RH -----							1	
- 2			DELETED, NEVER USED -----								
- 3	0414009-205	*#	SEAT BACK ASSEMBLY-LH -----							1	
	0414009-204	*#	SEAT BACK ASSEMBLY-RH -----							1	
			ATTACHING PARTS								
- 4	AN3-13A		BOLT -----							2	B
	AN4-14A		BOLT -----							2	C
- 5	AN960-10		WASHER -----							2	B
	AN960-416		WASHER -----							AR	C
- 6	MS21044N3		NUT -----							2	B
	MS21042L4		NUT -----							2	C
			---*---								
- 7	0414009-12	#	COVER ASSEMBLY-SEAT BACK LH -----							1	
	0414009-14	#	COVER ASSEMBLY-SEAT BACK RH -----							1	
- 8	0414009-13		DIAPHRAGM-SEAT BACK -----							1	
- 9	NAS428H4-12		BOLT-SEAT STOP -----							2	
-10	AN315-4R		NUT-SEAT STOP -----							2	
-11	0414009-3	#	CUSHION ASSEMBLY-SEAT BOTTOM LH -----							1	
	0414009-4	#	CUSHION ASSEMBLY-SEAT BOTTOM RH -----							1	
-12	0414009-207	%#	SEAT BOTTOM ASSEMBLY-LH -----							1	
	0414009-206	%#	SEAT BOTTOM ASSEMBLY-RH -----							1	
-13	0414009-11	#	COVER ASSEMBLY-SEAT BOTTOM FRAME LH -----							1	
	0414009-13	#	COVER ASSEMBLY-SEAT BOTTOM FRAME RH -----							1	
-14	0414007-14		DIAPHRAGM -----							1	
-15	0414229-5		HANDLE ASSEMBLY-SEAT LATCH -----							1	
			ATTACHING PARTS								
-16	MS20392-2C59		PIN -----							1	
-17	MS24665-132		COTTER PIN -----							1	
			---*---								
-18	0700106-2		KNOB-HANDLE -----							1	
			ATTACHING PARTS								
	S1022Z6-8		SCREW -----							1	
			---*---								
-19	0311644		CLEVIS-SEAT LATCH -----							1	
			ATTACHING PARTS								
	MS24665-283		COTTER PIN -----							1	
			---*---								
-20	0411262-1		PIN-SEAT LATCH -----							1	
			ATTACHING PARTS								
-21	MS20392-1C15		PIN -----							1	
-22	MS24665-132		COTTER PIN -----							1	
			---*---								
-23	0411265-1		SPRING-SEAT LATCH -----							1	
-24	0411268-3		HANDLE ASSEMBLY-RECLINING SEAT -----							1	
			ATTACHING PARTS								
-25	MS20392-1C11		PIN -----							1	
-26	MS24665-132		COTTER PIN -----							1	
			---*---								
-27	0713303-19		KNOB-RECLINING SEAT -----							1	
			ATTACHING PARTS								
	NAS561CF2-6		ROLL PIN -----							1	
			---*---								
-28	0311310		ROLLER -----							4	
			ATTACHING PARTS								
-29	0311586		BUSHING -----							1	
-30	AN3-11A		BOLT -----							1	B
	AN3-11A		BOLT FORWARD ROLLERS ONLY -----							1	C
-30A	AN3-13A		BOLT AFT ROLLERS ONLY -----							1	C
-30B	AN960-10		WASHER AFT ROLLERS ONLY -----							AR	C
-31	MS21044N3		NUT -----							1	
			---*---								

CONTINUED ON NEXT PAGE

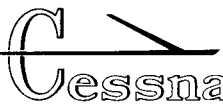
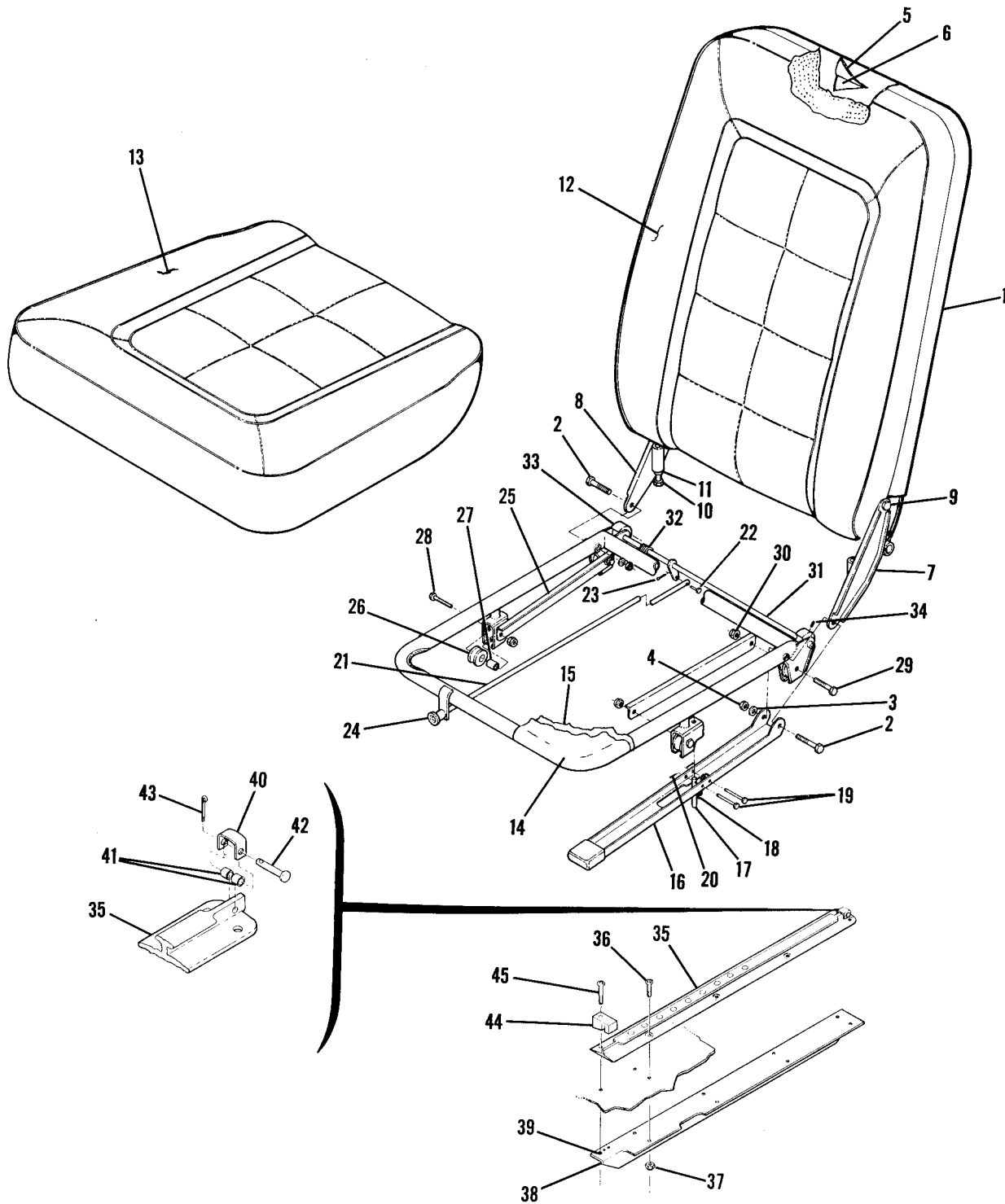


FIGURE AND INDEX NO.	PART NUMBER	DESCRIPTION	UNITS PER ASSY	USABLE ON CODE
45 -31A	0414031-1	PLATE ASSEMBLY OUTBD LH SEAT & INBD RH SEAT -----	1	C
-31B	0414031-2	PLATE ASSEMBLY INBD LH SEAT & OUTBD RH SEAT -----	1	C
-32	0411105-1	SHAFT ASSEMBLY-RECLINING SEAT -----	1	
-33	0411266-1	SPRING-RECLINING SEAT -----	1	
-34	0411267-1	CAM-RECLINING SEAT -----	2	
		ATTACHING PARTS		
-35	NAS561CF3-14	ROLL PIN -----	1	
		-----*-----		
-36	0713074-1	STOP-SEAT -----	6	
		ATTACHING PARTS		
-37	NAS43DD1-9	SPACER -----	2	
-38	MS20392-1C21	PIN -----	1	
-39	MS24665-132	COTTER PIN -----	1	
		-----*-----		
-40	0410219-1	SEAT RAIL-OUTBOARD -----	2	
	0410219-2	SEAT RAIL-INBOARD -----	2	
		ATTACHING PARTS		
-41	NAS221-8	SCREW -----	8	
-42	MS21044N3	NUT -----	8	
		-----*-----		
-43	0411546-1	STIFFENER -----	3	
		ATTACHING PARTS		
-44	NAS221-8	SCREW -----	2	
-45	MS21044N3	NUT -----	2	
		-----*-----		
<p>NOTE. #THIS PART NUMBER MUST HAVE A SECOND DASH NUMBER ADDED TO DENOTE COLOR. REFER TO HOW TO ORDER UPHOLSTERED PARTS-PAGE VI.</p> <p>NOTE. *THESE PARTS ARE NOT INTERCHANGEABLE WITH EXISTING SEAT BACK ASSY & SEAT BOTTOM ASSY FOR AIRCRAFT SERIALS A1500001 THRU A1500176 & FA1500001 THRU FA1500080. WHEN INITIALLY REPLACING THESE PARTS FOR THIS SERIAL BLOCK OF AIRCRAFT ALSO ORDER CORRESPONDING SEAT BOTTOM ASSY PART NO. 0414009-207 LH OR 0414009-206 RH & TWO AN4-14A BOLTS, SIX AN960-416 WASHERS, TWO NAS679A4 NUTS.</p> <p>NOTE. #THESE PARTS ARE NOT INTERCHANGEABLE WITH EXISTING SEAT BOTTOM ASSY & SEAT BACK ASSY FOR AIRCRAFT SERIALS A1500001 THRU A1500176 & FA1500001 THRU FA1500080. WHEN INITIALLY REPLACING THESE PARTS FOR THIS SERIAL BLOCK OF AIRCRAFT ALSO ORDER CORRESPONDING SEAT BACK ASSY PART NO. 0414009-205 LH OR 0414009-204 RH & TWO AN4-14A BOLTS, SIX AN960-416 WASHERS, TWO NAS679A4 NUTS.</p> <p>A---A150 SERIAL A1500001 THRU A1500276 FA150 SERIAL FA1500001 THRU FA1500166 B---A150 SERIAL A1500001 THRU A1500176 FA150 SERIAL FA1500001 THRU FA1500080 C---A150 SERIAL A1500177 THRU A1500276 FA150 SERIAL FA1500081 THRU FA1500166</p>				

FIGURE AND INDEX NO.	PART NUMBER		DESCRIPTION	UNITS PER ASSY	USABLE ON CODE
45A-			1 2 3 4 5 6 7		
	0414034-1	#	RECLINING SEAT INSTALLATION-AEROBAT -----	NP	A
	0414034-2	#	SEAT ASSEMBLY-RECLINING LH -----	1	
- 1			SEAT ASSEMBLY-RECLINING RH -----	1	
			SEAT BACK ASSEMBLY -----	NP	
			ATTACHING PARTS -----		
- 2	AN4-14A		BOLT -----	2	
- 3	AN960-416L		WASHER -----	1	B
- 4	MS21042L4		NUT -----	2	
			-----*-----		
- 5	0414034-12	#	COVER ASSEMBLY-SEAT BACK FRAME -----	1	
- 6	0414033-8		DIAPHRAGM-SEAT BACK -----	1	
			ATTACHING PARTS -----		
	S1021A4-6		SCREW -----	5	
	AN960-4L		WASHER -----	5	
			-----*-----		
- 7	0414038-1		HINGE ASSEMBLY-LH -----	1	
- 8	0414038-2		HINGE ASSEMBLY-RH -----	1	
			ATTACHING PARTS -----		
- 9	AN4-14A		BOLT -----	1	
	AN960-416		WASHER -----	1	
	MS21042L4		NUT -----	1	
			-----*-----		
CONTINUED ON NEXT PAGE					

Seat (Cont)

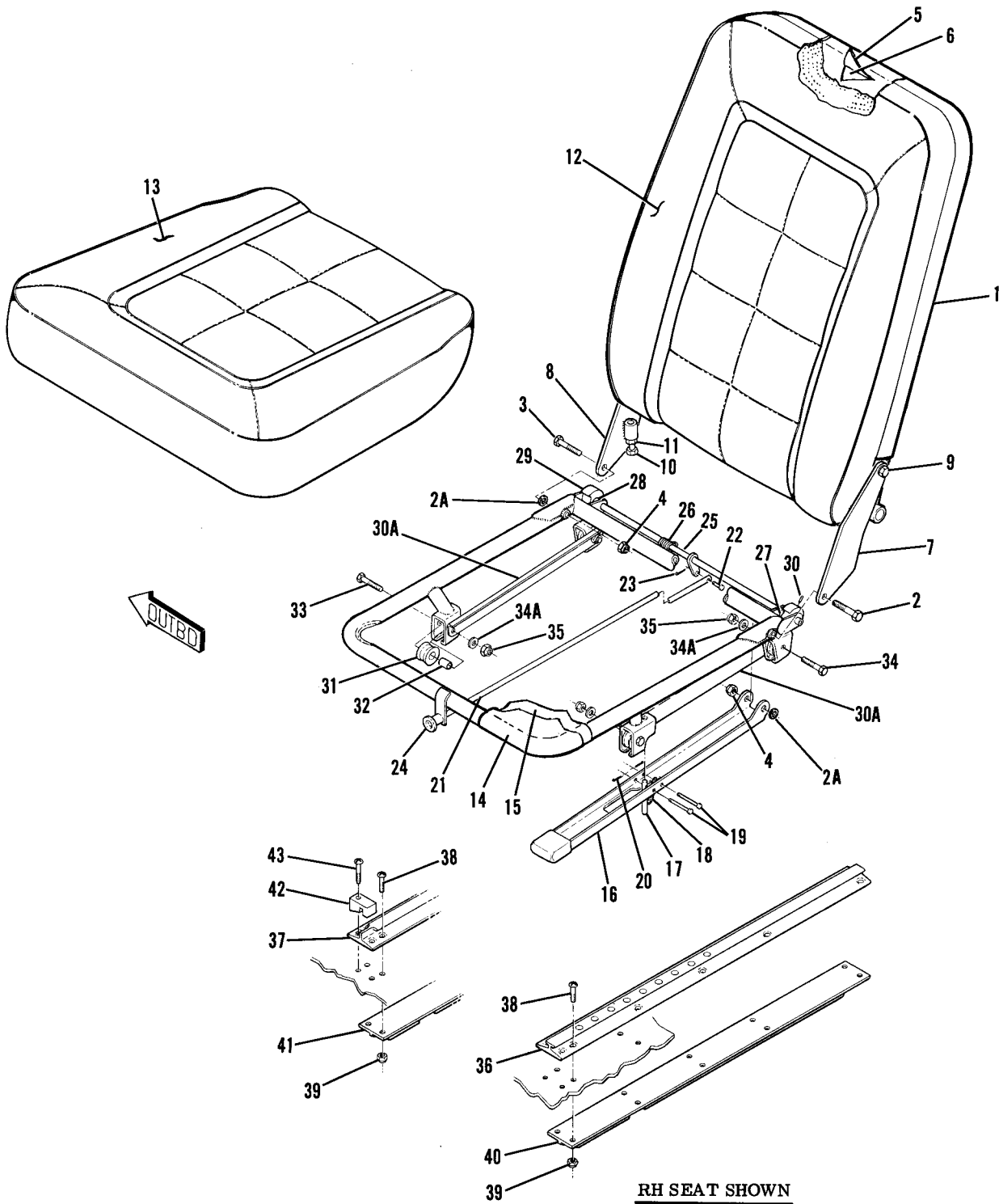


A150 SERIAL A1500277 THRU A1500342

Figure 45A. Reclining Seat Installation-Aerobat

FIGURE AND INDEX NO.	PART NUMBER		DESCRIPTION	UNITS PER ASSY	USABLE ON CODE
		1 2 3 4 5 6 7			
45A-10	NAS428-4-6		BOLT-SEAT STOP -----	2	
-11	AN315-4R		NUT-SEAT STOP -----	2	
-12	0414034-7	#	CUSHION ASSEMBLY-SEAT BACK LH -----	1	
	0414034-8	#	CUSHION ASSEMBLY-SEAT BACK RH -----	1	
-13	0414034-3	#	CUSHION ASSEMBLY-SEAT BOTTOM LH -----	1	
	0414034-4	#	CUSHION ASSEMBLY-SEAT BOTTOM RH -----	1	
			SEAT BOTTOM ASSEMBLY -----	NP	
-14	0414034-13	#	COVER ASSEMBLY-SEAT BOTTOM -----	1	
-15	0414033-4		DIAPHRAGM-SEAT BOTTOM -----	1	
-16	0414035-10		LEVER ASSEMBLY-SEAT LATCH -----	1	
-17	0414035-6		PIN-SEAT LATCH -----	1	
-18	0411265-2		SPRING-SEAT LATCH -----	1	
-19	MS20392-1C39		PIN -----	2	
-20	MS24665-132		COTTER PIN -----	2	
-21	0411268-3		HANDLE ASSEMBLY-RECLINING SEAT -----	1	
			ATTACHING PARTS		
-22	MS20392-1C11		PIN -----	1	
-23	MS24665-132		COTTER PIN -----	1	
			-----*		
-24	0713303-19		KNOB-RECLINING SEAT -----	1	
			ATTACHING PARTS		
	NAS561CF2-6		ROLL PIN -----	1	
			-----*		
-25	0414025-1		BRACE -----	2	
-26	0311310		ROLLER -----	4	
			ATTACHING PARTS		
-27	0311586		BUSHING -----	1	
-28	AN3-11A		BOLT FWD ROLLERS ONLY -----	1	
-29	AN3-13A		BOLT AFT ROLLERS ONLY -----	1	
-30	MS21044N3		NUT -----	1	
			-----*		
-31	0414035-15		SHAFT ASSEMBLY-RECLINING SEAT -----	1	
-32	0411266-1		SPRING-RECLINING SEAT -----	1	
-33	0411267-1		CAM-RECLINING SEAT -----	2	
			ATTACHING PARTS		
-34	NAS561CF3-14		ROLL PIN -----	1	
			-----*		
-35	0410230-3		SEAT RAIL-LH OUTBOARD & RH INBOARD -----	2	
	0410230-2		SEAT RAIL-RH OUTBOARD & LH INBOARD -----	2	
			ATTACHING PARTS		
-36	NAS221-8		SCREW -----	9	
-37	MS21044N3		NUT -----	9	
			-----*		
-38	0410230-4		STIFFENER ASSEMBLY -----	3	
-39	NAS682A3		NUTPLATE -----	1	
-40	0713074-1		SEAT STOP -----	4	
			ATTACHING PARTS		
-41	NAS43DD1-9		SPACER -----	2	
-42	MS20392-1C21		PIN -----	1	
-43	MS24665-132		COTTER PIN -----	1	
			-----*		
-44	0410232-1		SEAT STOP -----	2	
			ATTACHING PARTS		
-45	NAS221-17		SCREW -----	1	
			-----*		
<p>NOTE. #THIS PART NUMBER MUST HAVE A SECOND DASH NUMBER ADDED TO DENOTE COLOR. REFER TO HOW TO ORDER UPHOLSTERED PARTS-PAGE VI.</p> <p>A---A150 SERIAL A1500277 THRU A1500342 B---A150 SERIAL A1500227 THRU A1500298</p>					

Seat (Cont)



**A150 SERIAL A1500343 THRU A1500523
FA150 SERIAL FA1500167 THRU FA1500261**

Figure 45B. Reclining Seat Installation - Aerobat

FIGURE AND INDEX NO.	PART NUMBER		DESCRIPTION	UNITS PER ASSY	USABLE ON CODE
			1 2 3 4 5 6 7		
45B-			RECLINING SEAT INSTALLATION-AEROBAT -----	NP	A
	0414042-1	#	SEAT ASSEMBLY-RECLINING LH -----	1	B
	0414042-2	#	SEAT ASSEMBLY-RECLINING RH -----	1	B
	0415008-1	#	SEAT ASSEMBLY-RECLINING LH -----	1	C
	0415008-2	#	SEAT ASSEMBLY-RECLINING RH -----	1	C
- 1			SEAT BACK ASSEMBLY -----	NP	
			ATTACHING PARTS		
- 2	AN4-15A		BOLT INBD -----	1	
- 2A	AN960-416L		WASHER -----	2	
- 3	AN4-14A		BOLT OUTBD -----	1	
- 4	MS21042L4		NUT -----	2	
			---*---		
- 5	0414034-12	#	COVER ASSEMBLY-SEAT BACK FRAME -----	1	B
	0415008-23	#	COVER ASSEMBLY-SEAT BACK FRAME -----	1	C
- 6	0414033-8		DIAPHRAGM-SEAT BACK -----	1	
			ATTACHING PARTS		
	S1021A4-6		SCREW -----	5	
	AN960-4L		WASHER -----	5	
			---*---		
- 7	0414039-1		HINGE ASSEMBLY-LH -----	1	
- 8	0414039-2		HINGE ASSEMBLY-RH -----	1	
			ATTACHING PARTS		
- 9	AN4-14A		BOLT -----	1	
	AN960-416		WASHER -----	1	
	MS21042L4		NUT -----	1	
			---*---		
-10	NAS428-4-6		BOLT-SEAT STOP -----	2	
-11	AN315-4R		NUT-SEAT STOP -----	2	
-12	0414034-8	#	CUSHION ASSEMBLY-SEAT BACK RH -----	1	B
	0414034-7	#	CUSHION ASSEMBLY-SEAT BACK LH -----	1	B
	0415008-6	#	CUSHION ASSEMBLY-SEAT BACK RH -----	1	C
	0415008-5	#	CUSHION ASSEMBLY-SEAT BACK LH -----	1	C
-13	0414042-4	#	CUSHION ASSEMBLY-SEAT BOTTOM RH -----	1	B
	0414042-3	#	CUSHION ASSEMBLY-SEAT BOTTOM LH -----	1	B
	0415008-4	#	CUSHION ASSEMBLY-SEAT BOTTOM RH -----	1	C
	0415008-3	#	CUSHION ASSEMBLY-SEAT BOTTOM LH -----	1	C
			SEAT BOTTOM ASSEMBLY -----	NP	
-14	0414042-8	#	COVER ASSEMBLY-SEAT BOTTOM FRAME -----	1	B
	0415008-24	#	COVER ASSEMBLY-SEAT BOTTOM FRAME -----	1	C
-15	0414041-4		DIAPHRAGM-SEAT BOTTOM -----	1	
-16	0414040-11		LEVER ASSEMBLY-SEAT LATCH -----	1	
-17	0414035-6		PIN-SEAT LATCH -----	1	
-18	0411265-2		SPRING-SEAT LATCH -----	1	
-19	MS20392-1C35		PIN -----	2	
-20	MS24665-132		COTTER PIN -----	2	
-21	0411268-3		HANDLE ASSEMBLY-RECLINING SEAT -----	1	
			ATTACHING PARTS		
-22	MS20392-1C11		PIN -----	1	
-23	MS24665-132		COTTER PIN -----	1	
			---*---		
-24	0713303-19		KNOB-RECLINING SEAT -----	1	
			ATTACHING PARTS		
	NAS561CF2-6		ROLL PIN -----	1	
			---*---		
-25	0414040-15		SHAFT ASSEMBLY-RECLINING SEAT -----	1	
-26	0411266-1		SPRING -----	1	
-27	NAS43HT5-14		SPACER INBD -----	1	
-28	NAS43HT5-24		SPACER OUTBD -----	1	
-29	0411267-1		CAM-RECLINING SEAT -----	2	
			ATTACHING PARTS		
-30	NAS561C3-14		ROLL PIN -----	1	
			---*---		
-30A	0414066-1		BRACE -----	2	
-31	0311310		ROLLER -----	4	
			ATTACHING PARTS		
-32	0311586		BUSHING -----	1	
-33	AN3-11A		BOLT FWD ROLLERS USED WITHOUT 0414066-1 BRACE -----	1	
	AN3-12A		BOLT FWD ROLLERS USED WITH 0414066-1 BRACE -----	1	
-34	AN3-12A		BOLT AFT ROLLERS USED WITHOUT 0414066-1 BRACE -----	1	
	AN3-13A		BOLT AFT ROLLERS USED WITH 0414066-1 BRACE -----	1	
-34A	AN960-10		WASHER USED WITH 0414066-1 BRACE -----	1	
-35	MS21044N3		NUT -----	1	
			---*---		

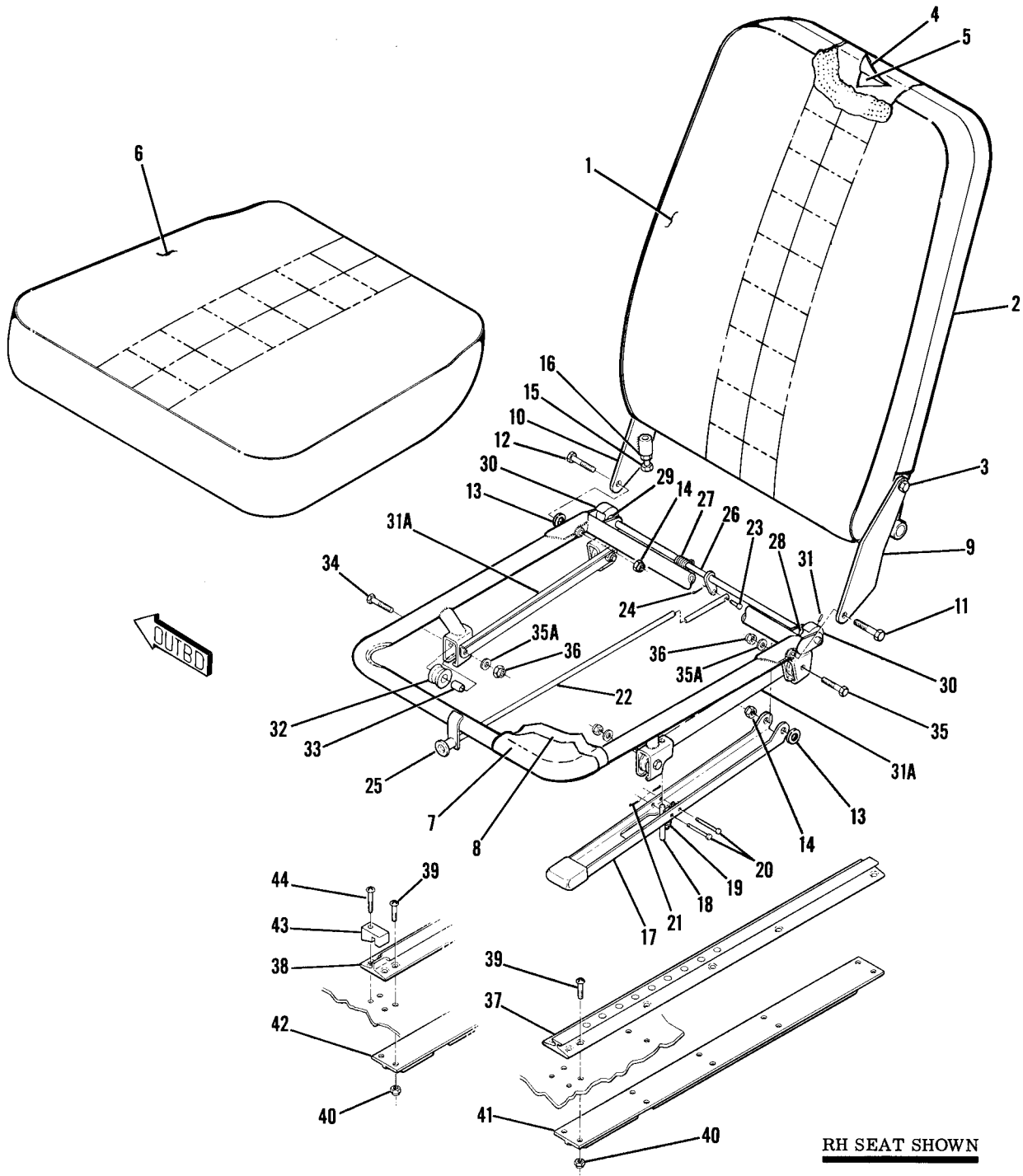
CONTINUED ON NEXT PAGE



FIGURE AND INDEX NO.	PART NUMBER	DESCRIPTION	UNITS PER ASSY	USABLE ON CODE
		1 2 3 4 5 6 7		
45B-36	0410235-3	SEAT RAIL-INBD WEU 0410235-6 -----	2	
	0410235-6	SEAT RAIL-INBD -----	2	
-37	0410235-1	SEAT RAIL-LH OUTBD -----	1	
	0410235-2	SEAT RAIL-RH OUTBD -----	1	
		ATTACHING PARTS		
-38	NAS221-8	SCREW -----	10	
-39	MS21044N3	NUT -----	10	
		---*---		
-40	0410236-2	STIFFENER RH INBD ONLY -----	1	
-41	0410236-1	STIFFENER OUTBD -----	2	
-42	0410232-1	SEAT STOP OUTBD RAIL ONLY -----	2	
		ATTACHING PARTS		
-43	NAS221-17	SCREW -----	1	
		---*---		
		NOTE. #THIS PART NUMBER MUST HAVE A SECOND DASH NUMBER ADDED TO DENOTE COLOR. REFER TO HOW TO ORDER UPHOLSTERED PARTS-PAGE VI.		
		A---A150 SERIAL A1500343 THRU A1500523 FA150 SERIAL FA1500167 THRU FA1500261		
		B---A150 SERIAL A1500343 THRU A1500429 FA150 SERIAL FA1500167 THRU FA1500211		
		C---A150 SERIAL A1500430 THRU A1500523 FA150 SERIAL FA1500212 THRU FA1500261		

This page intentionally left blank.

Seat (Cont)



**A150 SERIAL A1500524 & ON
FA150 SERIAL FA1500262 & ON**

Figure 45C. Reclinable Seat Installation - Aerobat



FIGURE AND INDEX NO.	PART NUMBER		DESCRIPTION							UNITS PER ASSY	USABLE ON CODE
			1	2	3	4	5	6	7		
45C-			RECLINING SEAT INSTALLATION-AEROBAT -----							NP	A
	0414049-2	#	SEAT ASSY-RECLINING RH -----							1	
	0414049-1	#	SEAT ASSY-RECLINING LH -----							1	
- 1	0414049-4	#	UPHOLSTERED CUSHION ASSY-SEAT BACK -----							1	
- 2	0414049-9	#	SEAT BACK ASSY -----							1	
			ATTACHING PARTS								
- 3	AN4-14A		BOLT -----							2	
	AN960-416		WASHER UNDER BOLT HEAD -----							2	
	MS21042L4		NUT -----							2	
			---*---								
- 4	0415008-23	#	COVER ASSY-SEAT BACK FRAME -----							1	
- 5	0414033-8		DIAPHRAGM-SEAT BACK -----							1	
			ATTACHING PARTS								
	S1021A4-6		SCREW -----							4	
	AN960-4L		WASHER -----							4	
			---*---								
- 6	0414049-3	#	UPHOLSTERED CUSHION ASSY-SEAT BOTTOM -----							1	
	0414049-6	#	SEAT BOTTOM ASSY-RH -----							1	
	0414049-5	#	SEAT BOTTOM ASSY-LH -----							1	
- 7	0415008-24	#	COVER ASSY-SEAT BOTTOM FRAME -----							1	
- 8	0414041-4		DIAPHRAGM-SEAT BOTTOM -----							1	
- 9	0414039-1		HINGE ASSY-LH -----							1	
-10	0414039-2		HINGE ASSY-RH -----							1	
			ATTACHING PARTS								
-11	AN4-15A		BOLT INBD -----							1	
-12	AN4-14A		BOLT OUTBD -----							1	
-13	AN960-416L		WASHER -----							1	
-14	MS21042L4		NUT -----							1	
			---*---								
-15	NAS428-4-6		BOLT-SEAT STOP -----							2	
-16	AN315-4R		NUT-SEAT STOP -----							2	
-17	0414040-11		LEVER ASSY-SEAT LATCH -----							1	
-18	0414035-6		PIN-SEAT LATCH -----							1	
-19	0411265-2		SPRING-SEAT LATCH -----							1	
-20	MS20392-1C35		PIN -----							2	
-21	MS24665-132		COTTER PIN -----							2	
-22	0411268-3		HANDLE ASSY-RECLINING SEAT -----							1	
			ATTACHING PARTS								
-23	MS20392-1C11		PIN -----							1	
-24	MS24665-132		COTTER PIN -----							1	
			---*---								
-25	0713303-19		KNOB-RECLINING SEAT -----							1	
			ATTACHING PARTS								
	NAS561CF2-6		ROLL PIN -----							1	
			---*---								
-26	0414040-15		SHAFT ASSY-RECLINING SEAT -----							1	
-27	0411266-1		SPRING -----							1	
-28	NAS43HT5-14		SPACER INBD -----							1	
-29	NAS43HT5-24		SPACER OUTBD -----							1	
-30	0411267-1		CAM-RECLINING SEAT -----							2	
			ATTACHING PARTS								
-31	NAS561C3-14		ROLL PIN -----							1	
			---*---								
-31A	0414066-1		BRACE -----							2	
-32	0311310		ROLLER -----							4	
			ATTACHING PARTS								
-33	0311586		BUSHING -----							1	
-34	AN3-11A		BOLT FWD ROLLERS USED WITHOUT 0414066-1 BRACE -----							1	
	AN3-12A		BOLT FWD ROLLERS USED WITH 0414066-1 BRACE -----							1	
-35	AN3-12A		BOLT AFT ROLLERS USED WITHOUT 0414066-1 BRACE -----							1	
	AN3-13A		BOLT AFT ROLLERS USED WITH 0414066-1 BRACE -----							1	
-35A	AN960-10		WASHER USED WITH 0414066-1 BRACE -----							1	
-36	MS21044N3		NUT -----							1	
			---*---								

CONTINUED ON NEXT PAGE

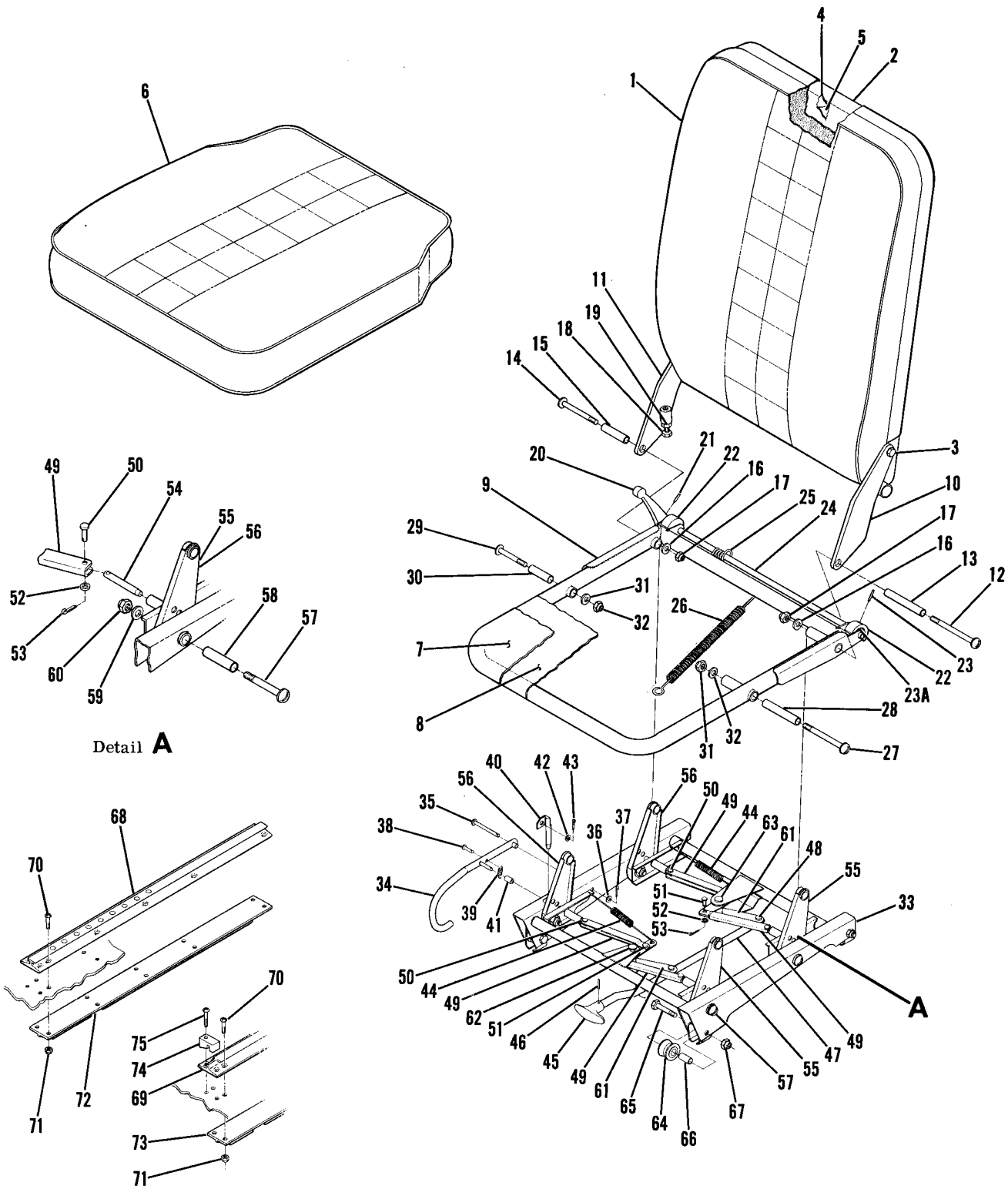
FIGURE AND INDEX NO.	PART NUMBER	DESCRIPTION	UNITS PER ASSY	USABLE ON CODE
45C-37	0410235-3	SEAT RAIL-INBD WEU 0410235-6 -----	2	B
	0410235-6	SEAT RAIL-INBD -----	2	C
-38	0410235-1	SEAT RAIL-LH OUTBD -----	1	
	0410235-2	SEAT RAIL-RH OUTBD -----	1	
		ATTACHING PARTS		
-39	NAS221-8	SCREW -----	10	
-40	MS21044N3	NUT -----	10	
		-----*		
-41	0410236-2	STIFFENER RH INBD ONLY -----	1	
-42	0410236-1	STIFFENER OUTBD -----	2	
-43	0410232-1	SEAT STOP OUTBD RAIL ONLY -----	2	
		ATTACHING PARTS		
-44	NAS221-17	SCREW -----	1	
		-----*		
<p>NOTE. #THIS PART NUMBER MUST HAVE A SECOND DASH NUMBER ADDED TO DENOTE COLOR. REFER TO HOW TO ORDER UPHOLSTERED PARTS-PAGE VI.</p> <p>A---A150 SERIAL A1500524 & ON FA150 SERIAL FA1500262 & ON</p> <p>B---A150 SERIAL A1500524 THRU A1500647 FA150 SERIAL FA1500262 THRU FA1500301</p> <p>C---A150 SERIAL A1500648 & ON FA150 SERIAL FA1500302 & ON</p>				



FIGURE AND INDEX NO.	PART NUMBER		DESCRIPTION							UNITS PER ASSY	USABLE ON CODE
			1	2	3	4	5	6	7		
45D-			VERTICAL ADJUSTABLE SEAT INSTALLATION-AEROBAT -----							N	A
	0414058-1	#	SEAT ASSY-VERTICAL ADJUSTABLE LH -----							1	
	0414058-2	#	SEAT ASSY-VERTICAL ADJUSTABLE RH -----							1	
- 1	0414049-4	#	UPHOLSTERED CUSHION ASSY-SEAT BACK -----							1	
- 2	0414049-9	#	SEAT BACK ASSY -----							1	
			ATTACHING PARTS								
- 3	AN4-14A		BOLT -----							2	
	AN960-416		WASHER UNDER BOLT HEAD -----							2	
	MS21042L4		NUT -----							2	
			-----*								
- 4	0415008-23	#	COVER ASSY-SEAT BACK FRAME -----							1	
- 5	0414033-8		DIAPHRAGM-SEAT BACK -----							1	
			ATTACHING PARTS								
	S1021A4-6		SCREW -----							4	
	AN960-4L		WASHER -----							4	
			-----*								
- 6	0414049-3	#	UPHOLSTERED CUSHION ASSY-SEAT BOTTOM -----							1	
	0414058-3	#	SEAT BOTTOM ASSY-LH -----							1	
	0414058-4	#	SEAT BOTTOM ASSY-RH -----							1	
- 7	0415008-24	#	COVER ASSY-SEAT BOTTOM FRAME -----							1	
- 8	0414041-4		DIAPHRAGM-SEAT BOTTOM -----							1	
	0414065-1		SCUFF PLATE-DIAPHRAGM -----							2	
- 9	0414053-1		FRAME ASSY-LH -----							1	
	0414053-2		FRAME ASSY-RH -----							1	
-10	0414039-5		HINGE ASSY-LH -----							1	
-11	0414039-6		HINGE ASSY-RH -----							1	
			ATTACHING PARTS								
-12	AN24-48A		BOLT OUTBD -----							1	
-13	0414054-22		SPACER OUTBD -----							1	
-14	AN24-32A		BOLT INBD -----							1	
-15	0414054-20		SPACER INBD -----							1	
-16	AN960-416		WASHER -----							1	
-17	MS21044N4		NUT -----							1	
			-----*								
-18	NAS428-4-6		BOLT-SEAT STOP -----							2	
-19	AN315-4R		NUT-SEAT STOP -----							2	
-20	0710312-3		HANDLE-RECLINING SEAT -----							1	
			ATTACHING PARTS								
-21	NAS561C3-10		ROLL PIN -----							1	
			-----*								
-22	0411267-1		CAM-RECLINING SEAT -----							2	
			ATTACHING PARTS								
-23	NAS561C3-14		ROLL PIN -----							1	
			-----*								
-23A	AN960-516		WASHER -----							4	
-24	0414054-24		SHAFT-RECLINING SEAT-LH -----							1	
	0414054-35		SHAFT-RECLINING SEAT RH -----							1	
-25	0411266-1		SPRING-RECLINING SEAT -----							1	
-26	0414061-1		SPRING-VERTICAL SEAT ADJUST -----							1	
-27	AN24-44A		BOLT OUTBD -----							1	
-28	0414054-21		SPACER OUTBD -----							1	
-29	AN24-27A		BOLT INBD -----							1	
-30	0414054-18		SPACER INBD -----							1	
-31	AN960-416		WASHER -----							2	
-32	MS21044N3		NUT -----							2	
-33	0414053-3		PEDESTAL ASSY-WELDED LH -----							1	
	0414053-4		PEDESTAL ASSY-WELDED RH -----							1	
-34	0414054-41		HANDLE ASSY-LH -----							1	
	0414054-40		HANDLE ASSY-RH -----							1	
			ATTACHING PARTS								
-35	MS20392-1C47		PIN -----							1	
-36	AN960-4L		WASHER -----							1	
-37	MS24665-172		COTTER PIN -----							1	
			-----*								
-38	MS20392-1C11		PIN -----							1	
-39	0411265-2		SPRING -----							1	
-40	0414054-37		PIN ASSY-LOCKING LH -----							1	
	0414054-38		PIN ASSY-LOCKING RH -----							1	
			ATTACHING PARTS								
-41	NASHT1-27		SPACER -----							1	
-42	AN960-4L		WASHER -----							1	
-43	MS24665-172		COTTER PIN -----							1	
			-----*								
-44	1414116-3		SPRING -----							2	

CONTINUED ON NEXT PAGE

Seat (Cont)



A150 SERIAL A1500610 & ON
FA150 SERIAL FA1500282 & ON

Figure 45D. Vertical Adjustable Seat Installation - Aerobat

FIGURE AND INDEX NO.	PART NUMBER	DESCRIPTION	UNITS PER ASSY	USABLE ON CODE
				1 2 3 4 5 6 7
45D-45	0414057-1	HANDLE-SEAT RELEASE ----- ATTACHING PARTS -----	1	
-46	NAS561-3-8	ROLL PIN ----- -----*	1	
-47	0414054-11	SHAFT-SEAT RELEASE ----- ATTACHING PARTS -----	1	
-48	MS20392-2C15	PIN -----	2	
	AN960-10L	WASHER -----	2	
	MS24665-132	COTTER PIN ----- -----*	2	
-49	0414054-5	LINKAGE ----- ATTACHING PARTS -----	4	
-50	MS20392-1C11	PIN -----	1	
-51	MS20392-1C7	PIN -----	1	
-52	AN960-4L	WASHER -----	2	
-53	MS24665-170	COTTER PIN ----- -----*	2	
-54	0414054-10	PIN-SEAT RELEASE -----	4	
-55	0414054-8	BELLCRANK ASSY-LH -----	2	
-56	0414054-7	BELLCRANK ASSY-RH ----- ATTACHING PARTS -----	2	
-57	AN24-30A	BOLT -----	1	
-58	0414054-19	SPACER -----	1	
-59	AN960-416	WASHER -----	1	
-60	MS21044N4	NUT ----- -----*	1	
-61	0414054-31	BELLCRANK ASSY ----- ATTACHING PARTS -----	2	
-62	MS20392-3C39	PIN FWD -----	1	
-63	MS20392-3C33	PIN AFT -----	1	
	AN960-416L	WASHER -----	1	
	MS24665-134	COTTER PIN ----- -----*	1	
-64	0311310	ROLLER ----- ATTACHING PARTS -----	4	
-65	AN3-12A	BOLT -----	1	
-66	0311586	BUSHING -----	1	
-67	MS21044N3	NUT ----- -----*	1	
-68	0410235-3	SEAT RAIL-INBD WEU 0410235-6 -----	2	B
	0410235-6	SEAT RAIL-INBD -----	2	C
-69	0410235-1	SEAT RAIL-LH OUTBD -----	1	
	0410235-2	SEAT RAIL-RH OUTBD ----- ATTACHING PARTS -----	1	
-70	NAS221-8	SCREW -----	10	
-71	MS21044N3	NUT ----- -----*	10	
-72	0410236-2	STIFFENER RH INBD ONLY -----	1	
-73	0410236-1	STIFFENER OUTBD -----	2	
-74	0410232-1	SEAT STOP OUTBD RAILS ONLY ----- ATTACHING PARTS -----	2	
-75	NAS221-17	SCREW ----- -----*	1	

NOTE. #THIS PART NUMBER MUST HAVE A SECOND DASH NUMBER ADDED TO DENOTE COLOR. REFER TO HOW TO ORDER UPHOLSTERED PARTS-PAGE VI.

A---A150 SERIAL A1500610 & ON
FA150 SERIAL FA1500282 & ON
B---A150 SERIAL A1500610 THRU A1500647
FA150 SERIAL FA1500282 THRU FA1500301
C---A150 SERIAL A1500648 & ON
FA150 SERIAL FA1500302 & ON

Seat (Cont)

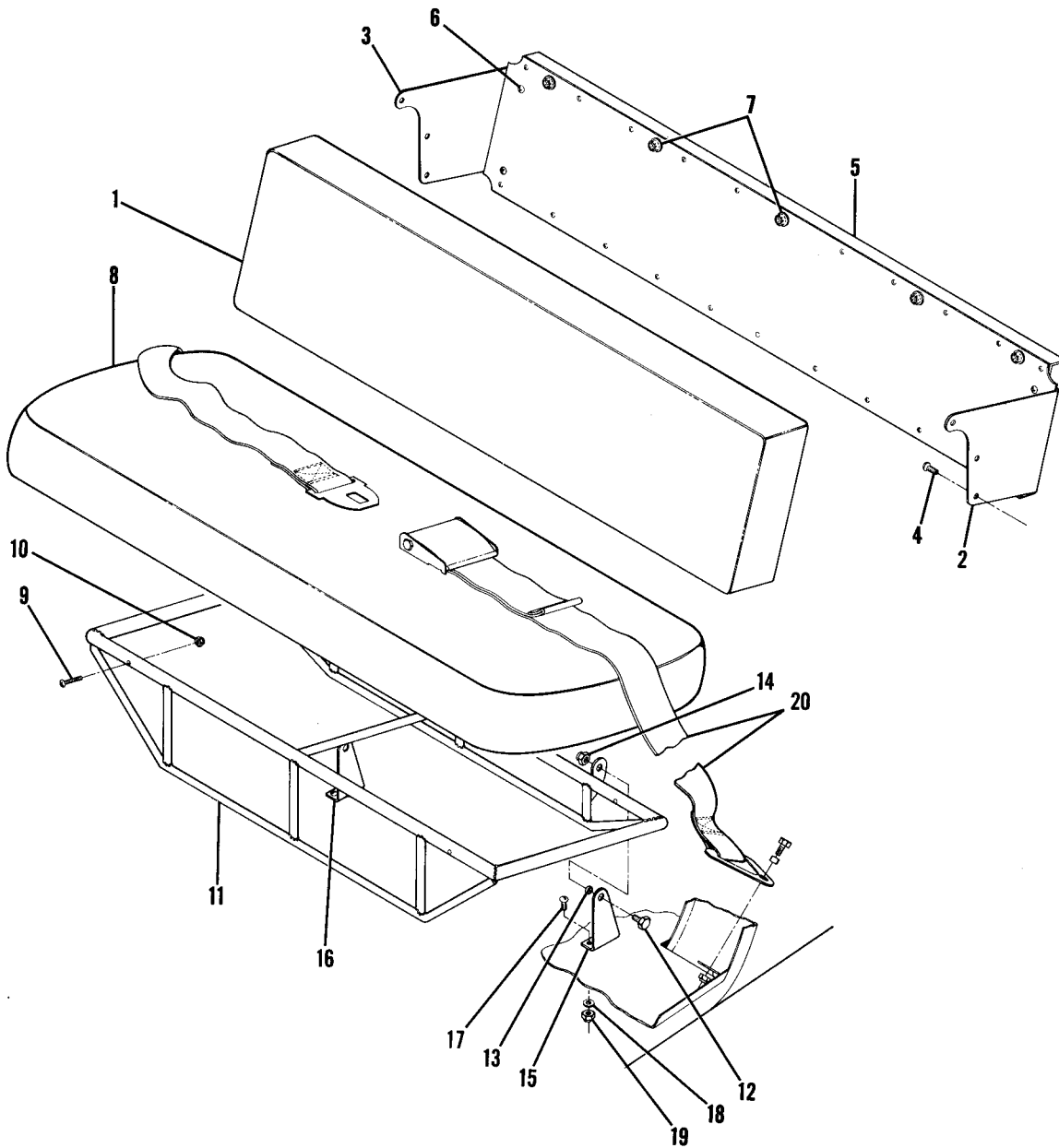
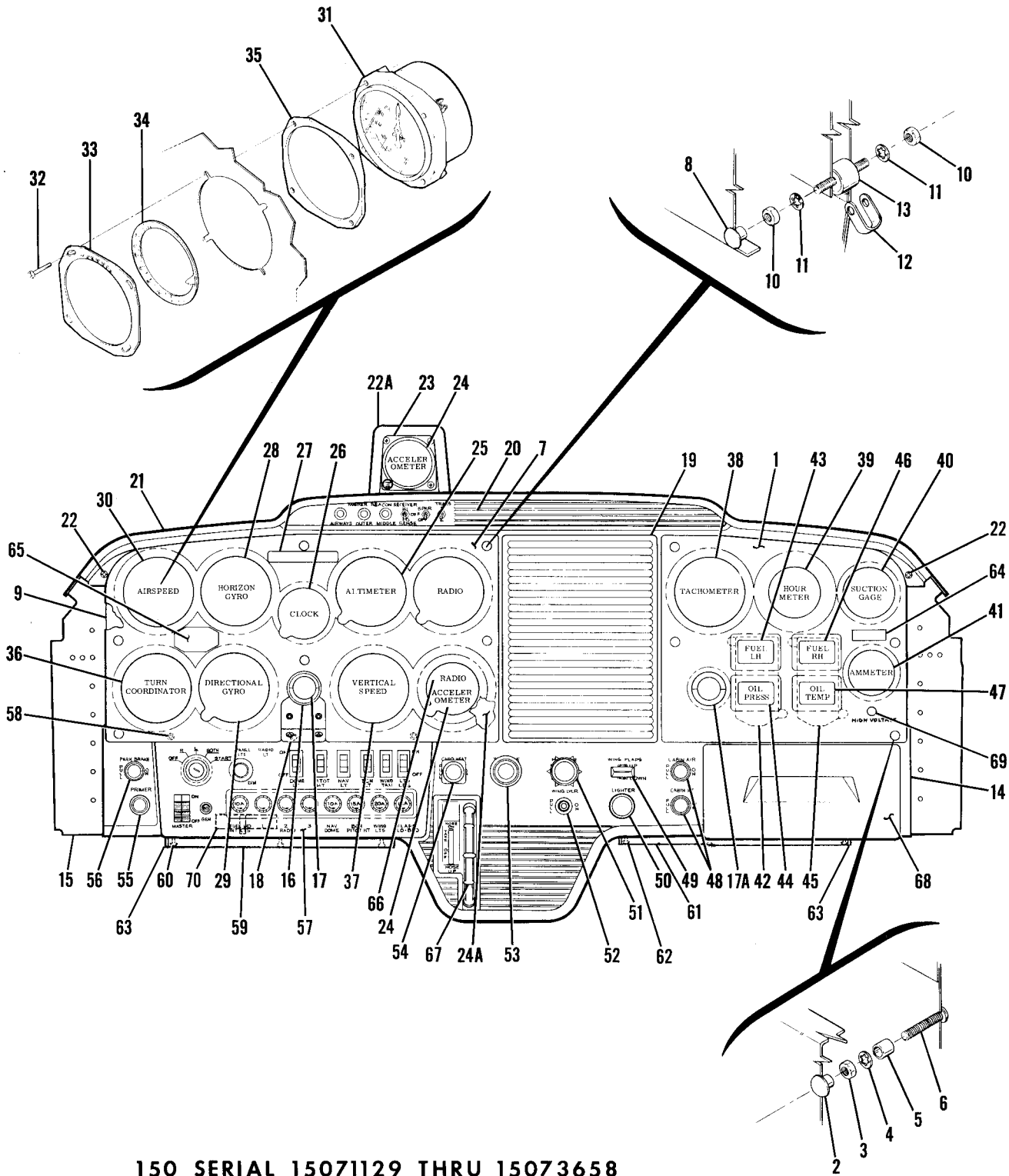


Figure 46. Auxiliary Seat Installation

FIGURE AND INDEX NO.	PART NUMBER		DESCRIPTION							UNITS PER ASSY	USABLE ON CODE
			1	2	3	4	5	6	7		
46 -			AUXILIARY SEAT INSTALLATION -----							NP	
- 1	0711080-1	#	BACKREST ASSEMBLY -----							1	
	AN227-7		SOCKET -----							5	
	AN227-6		BUTTON -----							5	
- 2	0400138-1	□	SUPPORT ASSEMBLY-BACKREST LH -----							1	
- 3	0400138-2	□	SUPPORT ASSEMBLY-BACKREST RH -----							1	
			ATTACHING PARTS -----								
- 4	NAS388-104		SCREW -----							3	
			---*---								
	NAS682A3K		NUTPLATE -----							2	
- 5	0400131-1		SEAT BACK SUPPORT ASSEMBLY -----							1	
			ATTACHING PARTS -----								
- 6	AN520-10R5		SCREW -----							4	
			---*---								
- 7	AN227-8		STUD -----							5	
	AN227-9		STUD -----							5	
- 8	0400136-6	#	SEAT BOTTOM ASSEMBLY -----							1	A
	0400136-9	#	SEAT BOTTOM ASSEMBLY -----							1	B
			ATTACHING PARTS -----								
- 9	AN315-8R14		SCREW -----							4	
-10	MS21044N08		NUT -----							4	
			---*---								
-11	0400134-5	□	FRAME ASSEMBLY -----							1	
			ATTACHING PARTS -----								
-12	AN3-4A		BOLT -----							2	
-13	NAS43HT3-6		SPACER -----							2	
-14	MS21044N3		NUT -----							2	
			---*---								
-15	0711098-7		HINGE-FLOOR FITTING LH -----							1	
-16	0711098-8		HINGE-FLOOR FITTING RH -----							1	
			ATTACHING PARTS -----								
-17	AN515-6R8		SCREW -----							2	
-18	AN960-8		WASHER -----							2	
-19	MS21044N08		NUT -----							2	
			---*---								
-20	SEE FIG 50A		SEAT BELT INSTL -----							1	
<p>NOTE. #THIS PART NUMBER MUST HAVE A SECOND DASH NUMBER ADDED TO DENOTE COLOR. REFER TO HOW TO ORDER UPHOLSTERED PARTS-PAGE VI.</p> <p>NOTE. #THIS PART NUMBER MUST HAVE A SECOND DASH NUMBER ADDED TO DENOTE COLOR. REFER TO HOW TO ORDER INTERIOR PARTS-PAGE VII.</p> <p>A---150 SERIAL 15071129 THRU 15073658 F150 SERIAL F15000530 THRU F15000863 A150 SERIAL A1500001 THRU A1500342 FA150 SERIAL FA150001 THRU FA1500166</p> <p>B---150 SERIAL 15073659 & ON F150 SERIAL F15000864 & ON A150 SERIAL A1500343 & ON FA150 SERIAL FA1500167 & ON</p>											

Instruments



150 SERIAL 15071129 THRU 15073658
 F150 SERIAL F15000530 THRU F15000863
 A150 SERIAL A1500001 THRU A1500342
 FA150 SERIAL FA1500001 THRU FA1500166

15071129 THRU 15072628
 F15000530 THRU F15000738
 A1500001 THRU A1500276
 FA1500001 THRU FA1500166

Figure 47. Instrument Panel Equipment Installation

FIGURE AND INDEX NO.	PART NUMBER		DESCRIPTION							UNITS PER ASSY	USABLE ON CODE
			1	2	3	4	5	6	7		
47 -			INSTRUMENT PANEL & EQUIPMENT INSTALLATION -----							NP	AP
- 1	0413461-2	□	COVER-ENGINE INSTRUMENT -----							1	AA
	0413461-12	□	COVER ASSEMBLY-ENGINE INSTRUMENT -----							1	AB
			ATTACHING PARTS								
- 2	0513351-1		SCREW POST -----							4	AA
- 3	AN340B8		NUT -----							4	AA
- 4	AN936A8		WASHER -----							4	AA
- 5	NAS43DD3-25		SPACER -----							4	AA
- 6	AN515-8R14		SCREW -----							4	AA
			-----*								
- 7	0413461-6	□	COVER-SHOCK PANEL USED WITH S1314N1 & C661012-0101 -----							1	AJ
	0413461-7	□	COVER-SHOCK PANEL USED WITH C661011-0105, C661011-0106 -----							1	AA
			C661071-0101 & C661071-0102								
	0413461-13	□	COVER ASSEMBLY-SHOCK PANEL USED WITH C661012-0101 -----							1	AG
	0413461-14	□	COVER ASSEMBLY-SHOCK PANEL USED WITH C661071-0101 & -----							1	AB
			C661071-0102								
			ATTACHING PARTS								
- 8	0513351-1		SCREW POST -----							6	AA
			-----*								
- 9	0413459-1		PANEL-SHOCK MOUNTED INSTRUMENT WEU 0413459-3 -----							1	AK
	0413459-3		PANEL-SHOCK MOUNTED INSTRUMENT -----							1	AL
	0413459-2		PANEL ASSEMBLY-SHOCK MOUNTED INSTRUMENT WEU 0413459-4 -----							1	AM
	0413459-4		PANEL ASSEMBLY-SHOCK MOUNTED INSTRUMENT -----							1	AN
			ATTACHING PARTS								
-10	AN340B8		NUT -----							12	
-11	AN936A8		WASHER -----							12	
-12	0413247		STRAP-GROUND -----							2	
-13	0411059-3		SHOCKMOUNT -----							6	AA
	0413523-1		SHOCKMOUNT WEU 0413523-4 -----							6	AB
			-----*								
-14	0413467-5	□	COVER-STATIONARY PANEL -----							1	S
	0413467-8	□	COVER-STATIONARY PANEL -----							1	T
-15	0413457-8		PANEL ASSEMBLY-STATIONARY -----							1	AA
	0413457-10		PANEL ASSEMBLY-STATIONARY -----							1	AB
	S1863-2		NUTPLATE-DOUBLE LUG ATTACH SWITCH PANEL ASSEMBLY -----							3	
	S1862-1		NUTPLATE-SINGLE LUG ATTACH SWITCH PANEL ASSEMBLY -----							3	
	NAS684A06		NUTPLATE ATTACH GLOVE BOX DOOR -----							4	
	0413487-1		BRACKET-INSTRUMENT PANEL -----							1	
	0413522-1		BRACKET-INSTRUMENT PANEL COVER ATTACH -----							6	AB
-16	0413454-1	□	COLLAR ASSEMBLY-CONTROL LOCK -----							1	AA
	0760131-7		SUPPORT & COLLAR-CONTROL LOCK -----							1	AB
			ATTACHING PARTS								
	AN515-6R10		SCREW -----							4	
	AN960-6L		WASHER -----							4	
	MS21044N06		NUT -----							4	
	0413454-3		PLATE -----							1	AA
			-----*								
-17	0513056-3		GROMMET HALF-INSTRUMENT PANEL -----							2	AA
-17A	0513056-4		GROMMET HALF-INSTRUMENT PANEL -----							2	
-18	0413461-3	□	PLATE-SPLICE -----							1	AA
	0413461-15	□	PLATE ASSEMBLY-SPLICE -----							1	AB
			ATTACHING PARTS								
	S1021Z6-8B		SCREW -----							4	
	NAS395-4-3		NUT -----							4	
			-----*								
-19	0413467-3	□	COVER-RADIO CUTOUT -----							1	AC
	0413527-1	□	COVER-RADIO CUTOUT -----							1	AD
	0413532	□	TRIM-RADIO COVER -----							AR	AD
-20	0413467-4	□	INSERT-EYEBROW 150 & F150 ONLY -----							1	U
	0413512-1	□	INSERT-EYEBROW 150 & F150 ONLY -----							1	V
	0413467-6	□	INSERT-EYEBROW USED WHEN NARCO MARK 12B IS INSTALLED -----							1	W
			WITH VOA-50M INDICATOR 150 ONLY								
	0413512-2	□	INSERT-EYEBROW USED WHEN NARCO MARK 12B IS INSTALLED -----							1	X
			WITH VOA-50M INDICATOR 150 ONLY								
	0405004-1		PLACARD-INSTRUMENT PANEL A150 ONLY -----							1	E
	0405009-1		PLACARD-INSTRUMENT PANEL A150 ONLY -----							1	Y
	0405004-2		PLACARD-INSTRUMENT PANEL FA150 ONLY -----							1	F
	0405009-2		PLACARD-INSTRUMENT PANEL FA150 ONLY -----							1	Z
	0405004-3		PLACARD-INSTRUMENT PANEL USED WHEN NARCO MARK 12B IS -----							1	E
			INSTALLED WITH VOA-50M INDICATOR A150 ONLY								
	0405009-3		PLACARD-INSTRUMENT PANEL USED WHEN NARCO MARK 12B IS -----							1	Y
			INSTALLED WITH VOA-50M INDICATOR A150 ONLY								

CONTINUED ON NEXT PAGE

FIGURE AND INDEX NO.	PART NUMBER		DESCRIPTION							UNITS PER ASSY	USABLE ON CODE	
			1	2	3	4	5	6	7			
47 -21	0413467-2	□	EYEBROW-INSTRUMENT PANEL -----							1	S	
	0415003-2		EYEBROW ASSEMBLY-INSTRUMENT PANEL ----- ATTACHING PARTS -----							1	T	
-22	0413032-2		RETAINER-EYEBROW -----							1	S	
	S1023A6-12B		SCREW -----							9		
	S1067B1		WASHER -----							9		
	NAS446-2-3		NUT -----							2		
-22A	0413470-1	□	COVER-ACCELEROMETER -----							1	C	
			ATTACHING PARTS -----									
	S1021Z4-6		SCREW -----							4		
	NAS446-1-1		NUT -----							4		
-23	0413491-1		BRACKET-ACCELEROMETER -----							1	C	
			ATTACHING PARTS -----									
	AN515B8R6		SCREW -----							3		
	MS21044N08		NUT -----							3		
-24	C661015-0101		ACCELEROMETER WEU C661015-0102 -----							1	AE	
	C661015-0102		ACCELEROMETER -----							1	AF	
			ATTACHING PARTS -----									
	AN515B8R10		SCREW -----							3		
	AN340B8		NUT -----							3		
	AN936A8		WASHER -----							3		
-24A	0413509-1		ADAPTER-ACCELEROMETER -----							1	C	
			ATTACHING PARTS -----									
	AN515B8R10		SCREW -----							3		
	AN936A8		WASHER -----							3		
-25	C661012-0101		ALTIMETER-18,000 FT FOR VFR APPLICATIONS ONLY -----							1	D	
	C661011-0105		ALTIMETER-20,000 FT SENSITIVE WEU C661071-0101 -----							1	A	
	C661071-0101		ALTIMETER-20,000 FT SENSITIVE -----							1	AD	
	C661011-0106		ALTIMETER-20,000 FT FEET/MILIBARS WEU C661071-0102 -----							1	AC	
	C661071-0102		ALTIMETER-20,000 FT FEET/MILIBARS -----							1	AD	
			ATTACHING PARTS -----									
	AN515B6R10		SCREW -----							3		
			-----*-----									
	-26	S1317N2		CLOCK-ELECTRIC WEU C664508-0101 -----							1	AC
		C664508-0101		CLOCK-ELECTRIC -----							1	AD
			ATTACHING PARTS -----									
	AN515B6R12		SCREW -----							2		
			-----*-----									
-27	0400211-6		PLACARD-AIRPLANE IDENTIFICATION -----							1		
-28	C661001-0501	*	INDICATOR-GYRO HORIZON WEU C661001-0505 -----							1	Q	
	C661001-0505	*	INDICATOR-GYRO HORIZON WEU C661076-0101, -0102 OR -0103 -----							1	R	
	C661001-0503	*	INDICATOR-GYRO HORIZON WEU C661076-0102 -----							1	AC	
	C661076-0102	*	INDICATOR-GYRO HORIZON -----							1	AD	
	C661001-0502	*	INDICATOR-GYRO HORIZON WEU C661076-0101 -----							1	AC	
	C661076-0101	*	INDICATOR-GYRO HORIZON -----							1	AD	
	C661001-0504	*	INDICATOR-GYRO HORIZON WEU C661076-0103 -----							1	AC	
	C661076-0103	*	INDICATOR-GYRO HORIZON -----							1	AD	
	C661076-0105	*	INDICATOR-GYRO HORIZON -----							1	AQ	
				ATTACHING PARTS -----								
		AN515B6R6		SCREW -----							4	
			-----*-----									
-29	C661002-0501	%	INDICATOR-DIRECTIONAL GYRO WEU C661002-0505 -----							1	Q	
	C661002-0505	%	INDICATOR-DIRECTIONAL GYRO WEU C661075-0104 -----							1	R	
	C661002-0503	%	INDICATOR-DIRECTIONAL GYRO WEU C661002-0506 -----							1	Q	
	C661002-0506	%	INDICATOR-DIRECTIONAL GYRO WEU C661075-0103 -----							1	R	
	C661075-0103	%	INDICATOR-DIRECTIONAL GYRO -----							1	AD	
	C661002-0301	%	INDICATOR-DIRECTIONAL GYRO WEU C661075-0104 -----							1	AC	
	C661075-0104	%	INDICATOR-DIRECTIONAL GYRO -----							1	AD	
	C661002-0504	%	INDICATOR-DIRECTIONAL GYRO WEU C661075-0101 -----							1	AC	
	C661075-0101	%	INDICATOR-DIRECTIONAL GYRO -----							1	AD	
	C661075-0106	%	INDICATOR-DIRECTIONAL GYRO -----							1	AQ	
	C661075-0105	%	INDICATOR-DIRECTIONAL GYRO WITH HEADING REF BUG -----							1	AN	
				ATTACHING PARTS -----								
		AN515B6R8		SCREW -----							4	
			-----*-----									

CONTINUED ON NEXT PAGE



FIGURE AND INDEX NO.	PART NUMBER	DESCRIPTION	UNITS PER ASSY	USABLE ON CODE		
					1	2
47 -30	S1470N10	INDICATOR-AIRSPEED WEU C661060-0101 -----	1	B		
	S1323N4	INDICATOR-AIRSPEED ALTERNATE WEU C661060-0101 -----	1	B		
	C661060-0101	INDICATOR-AIRSPEED -----	1	AG		
	C661010-1004	INDICATOR-AIRSPEED A150 & FA150 ONLY WEU C661061-0102 --	1	AE		
	C661060-0102	INDICATOR-AIRSPEED A150 & FA150 ONLY -----	1	AF		
	AN515B6R10	ATTACHING PARTS SCREW -----	4			
		-----*----- TRUE AIRSPEED INSTALLATION				
-31	C661010-0101	INDICATOR-TRUE AIRSPEED WEU C661061-0101 -----	1	B		
	C661061-0101	INDICATOR-TRUE AIRSPEED -----	1	AG		
	C661010-0105	INDICATOR-TRUE AIRSPEED WEU C661061-0102 -----	1	AE		
	C661061-0102	INDICATOR-TRUE AIRSPEED -----	1	AF		
	AN515B6R16	ATTACHING PARTS SCREW -----	4			
-32	0700162-1	RETAINER ASSEMBLY -----	1			
-33	0700189-4	RING ASSEMBLY WHEN EXHAUSTED USE 0700189-6 -----	1	G		
	0700189-6	RING ASSEMBLY WEU 0700189-10 -----	1	H		
-34	0700189-10	RING ASSEMBLY -----	1	AD		
	0700162-7	SPACER -----	2			
		-----*-----				
-36	C661003-0501	INDICATOR-TURN COORDINATOR WEU C661003-0504 -----	1	AC		
	C661003-0504	INDICATOR-TURN COORDINATOR -----	1	AD		
	2904-1	INDICATOR-TURN COORDINATOR BTID USED WITH -----	1	AC		
	C661003-0601	WING LEVELER INSTALLATION ONLY WEU C661003-0601 INDICATOR-TURN COORDINATOR USED WITH -----	1	AD		
	S1302N1	WING LEVELER INSTALLATION ONLY INDICATOR-TURN & BANK WEU S1413N2 -----	1	AC		
	S1413N1	INDICATOR-TURN & BANK ALT FOR S1302N1 WEU S1413N2 -----	1	AC		
	S1413N2	INDICATOR-TURN & BANK -----	1	AD		
	AN515B6R16	ATTACHING PARTS SCREW -----	4			
	AN936A6B	WASHER -----	4			
	AN340B6	NUT -----	4	AC		
		-----*-----				
-37	S1392N2	INDICATOR-VERTICAL SPEED WEU C661080-0101 -----	1	AC		
	C661080-0101	INDICATOR-VERTICAL SPEED -----	1	AD		
	AN507B632R12	ATTACHING PARTS SCREW -----	3			
	S1066B1	WASHER -----	3			
		-----*-----				
-38	S1305N7	TACHOMETER WEU C668020-0101 -----	1	AC		
	C668020-0101	TACHOMETER -----	1	AD		
	AN515B8R10	ATTACHING PARTS SCREW -----	4			
	NAS43DD3-24	SPACER -----	4			
	AN936A8	WASHER -----	4			
	AN340B8	NUT -----	4			
		-----*-----				
-39	S1605-3	SHAFT-TACHOMETER -----	1			
	C664501-0101	HOURLYMETER WEU C664501-0103 -----	1	AC		
	C664501-0103	HOURLYMETER -----	1	AD		
	AN515-6R6	ATTACHING PARTS SCREW -----	4			
	NAS43DD1-6	SPACER -----	4			
	AN936A6	WASHER -----	4			
	AN340B6	NUT -----	4			
		-----*-----				
	0411757-1	COVER-HOURLYMETER -----	1			
	AN515B6R6	ATTACHING PARTS SCREW -----	4			
	AN936A6	WASHER -----	4			
	AN340B6	NUT -----	4			
		-----*-----				
-40	S1414N1	GAGE-SUCTION WEU C668540-0101 -----	1	AC		
	S1414-1	GAGE-SUCTION ALT WEU C668540-0101 -----	1	AC		
	C668540-0101	GAGE-SUCTION -----	1	AD		
	AN515B6R12	ATTACHING PARTS SCREW -----	4			
	AN936A6	WASHER USED WITH S1414-1 -----	4	AC		
	AN340B6	NUT USED WITH S1414-1 -----	4	AC		
		-----*-----				

CONTINUED ON NEXT PAGE

FIGURE AND INDEX NO.	PART NUMBER	DESCRIPTION	UNITS PER ASSY	USABLE ON CODE
47 -41	S1320-1	AMMETER-60 AMP WEU S1320-3 -----	1	AC
	S1320-3	AMMETER-60 AMP WEU S1320-5 -----	1	J
	S1320-5	AMMETER-60 AMP -----	1	K
-42	0413427-3	SPACER-AMMETER -----	1	
	C669504-0102	INSTRUMENT CLUSTER-LH WEU C669504-0104 -----	1	L
	C669504-0104	INSTRUMENT CLUSTER-LH -----	1	M
		ATTACHING PARTS		
		SCREW -----	2	
		SPACER -----	2	
		WASHER -----	2	
		NUT -----	2	
		-----*		
-43	441364	GAGE-FUEL SW -----	1	
-44	444652	GAGE-OIL PRESSURE SW -----	1	L
	444679	GAGE-OIL PRESSURE SW -----	1	M
-45	C669505-0102	INSTRUMENT CLUSTER-RH -----	1	S
	C669505-0103	INSTRUMENT CLUSTER-RH -----	1	T
		ATTACHING PARTS		
		SCREW -----	2	
		SPACER -----	2	
		WASHER -----	2	
		NUT -----	2	
		-----*		
-46	441365	GAGE-FUEL SW -----	1	
-47	442820	GAGE-OIL TEMP SW -----	1	S
	442876-38	GAGE-OIL TEMP SW -----	1	T
-48	S1239-46	CONTROL-CABIN HEAT, CABIN AIR -----	2	
-49	S1661-2	SWITCH-FLAP -----	1	
		ATTACHING PARTS		
	S1216-4	NUT -----	1	
	-----*			
-50	S1771-1	KNOB-FLAP SWITCH -----	1	
	0513039-7	CIGAR LIGHTER -----	1	
	L4858-1	PLUG-HEATER CUE -----	1	
	S1982-1	KNOB-CIGAR LIGHTER -----	1	
	60232-1	CIRCUIT BREAKER-CIGAR LIGHTER CUE -----	1	
	CM2692-28-2H	PLUG BUTTON INSTALLED WHEN LIGHTER IS NOT USED -----	1	
	S1777-1	CONTROL-MIXTURE -----	1	
	S1791-1	VALVE-WING LEVELER -----	1	
	ATTACHING PARTS			
	AN960-616	WASHER -----	1	
	0713026-6	NUT -----	1	
	-----*			
-53	S1981-1	KNOB-WING LEVELER VALVE -----	1	
	S1222-17	CONTROL-THROTTLE WEU C299505-0202S -----	1	N
	C299505-0202S	CONTROL-THROTTLE -----	1	P
	S1748-1	KNOB-THROTTLE -----	1	
	1213646-2	WASHER BETWEEN PANEL COVER & CONTROL -----	1	
-54	S1230-19	CONTROL-CARBURETOR HEAT -----	1	
-55	C291502-0103	PRIMER ASSEMBLY-FUEL -----	1	
	S1974-1	KNOB-PRIMER -----	1	
-56	S1239-49	CONTROL-PARKING BRAKE -----	1	
-57	SEE FIG 48	PANEL ASSEMBLY-SWITCH -----	1	
		ATTACHING PARTS		
-58	S102126-8	SCREW -----	3	
	-----*			
-59	0413514-1	PAD-PROTECTION -----	1	AH
	0414037-1	PAD-PROTECTION -----	1	AB
		ATTACHING PARTS		
-60	S102126-14	SCREW -----	3	AH
	S102126-8	SCREW -----	3	AB
	-----*			
-61	0413514-9	PAD-PROTECTION -----	1	AH
	0414037-2	PAD-PROTECTION -----	1	AB
		ATTACHING PARTS		
-62	S102126-7	SCREW -----	3	AH
	S102126-8	SCREW -----	3	AB
	-----*			
-63	1514014-1	CAP -----	4	AH
-64	SEE FIG 2	PLACARD-MASTER SWITCH -----	1	

CONTINUED ON NEXT PAGE

FIGURE AND INDEX NO.	PART NUMBER	DESCRIPTION	UNITS PER ASSY	USABLE ON CODE
		1 2 3 4 5 6 7		
47 -65	SEE FIG 2	PLACARD-SPIN -----	1	C
-66		RADIO INSTALLATION SEE CESSNA ELECTRONICS MANUAL -----	1	
-67	SEE FIG 72	ELEVATOR TRIM CONTROL INSTALLATION -----	1	
-68	SEE FIG 49	GLOVE BOX & DOOR INSTALLATION -----	1	
-69	S2135-1	LIGHT ASSEMBLY-OVERVOLTAGE -----	1	AB
-70	C593001-0101	SENSOR-OVERVOLTAGE -----	1	
	S2209-2	ATTACHING PARTS -----		
		TIE STRAP -----	1	
		-----*		
		NOTE. □THIS PART NUMBER MUST HAVE A SECOND DASH NUMBER ADDED TO DENOTE COLOR. REFER TO HOW TO ORDER INTERIOR PARTS-PAGE VII.		
		NOTE. *THESE GYROS ARE PHYSICALLY & FUNCTIONALLY INTERCHANGEABLE.		
		NOTE. †THESE GYROS ARE PHYSICALLY & FUNCTIONALLY INTERCHANGEABLE.		
		A---150 SERIAL 15071129 THRU 15072628 A150 SERIAL A1500001 THRU A1500276		
		B---150 SERIAL 15071129 THRU 15072628 F150 SERIAL F15000530 THRU F15000863		
		C---A150 SERIAL A1500001 THRU A1500342 FA150 SERIAL FA1500001 THRU FA1500166		
		D---150 SERIAL 15071129 THRU 15073658		
		E---A150 SERIAL A1500001 THRU A1500226		
		F---FA150 SERIAL FA1500001 THRU FA1500081		
		G---150 SERIAL 15071129 THRU 15071794 F150 SERIAL F15000530 THRU F15000679 A150 SERIAL A1500001 THRU A1500160 FA150 SERIAL FA1500001 THRU FA1500059		
		H---150 SERIAL 15071795 THRU 15072628 F150 SERIAL F15000680 THRU F15000863 A150 SERIAL A1500161 THRU A1500276 FA150 SERIAL FA1500060 THRU FA1500166		
		J---150 SERIAL 15072629 THRU 15073391 F150 SERIAL F15000530 THRU F15000863 A150 SERIAL A1500277 THRU A1500332 FA150 SERIAL FA15000001 THRU FA1500166		
		K---150 SERIAL 15073392 THRU 15073658 A150 SERIAL A1500333 THRU A1500342		
		L---150 SERIAL 15071129 THRU 15072182 F150 SERIAL F15000530 THRU F15000658 A150 SERIAL A1500001 THRU A1500246 FA150 SERIAL FA1500001 THRU FA1500081		
		M---150 SERIAL 15072183 THRU 15073658 F150 SERIAL F15000659 THRU F15000863 A150 SERIAL A1500247 THRU A1500342 FA150 SERIAL FA1500082 THRU FA1500166		
		N---150 SERIAL 15071129 THRU 15071874 F150 SERIAL F15000530 THRU F15000658 A150 SERIAL A1500001 THRU A1500182 FA150 SERIAL FA1500001 THRU FA1500081		
		P---150 SERIAL 15071875 THRU 15073658 F150 SERIAL F15000659 THRU F15000863 A150 SERIAL A1500183 THRU A1500342 FA150 SERIAL FA1500082 THRU FA1500166		
		Q---150 SERIAL 15071129 THRU 15071784 F150 SERIAL F15000530 THRU F15000658 A150 SERIAL A1500001 THRU A1500164 FA150 SERIAL FA1500001 THRU FA1500081		
		R---150 SERIAL 15071785 THRU 15072628 F150 SERIAL F15000659 THRU F15000863 A150 SERIAL A1500165 THRU A1500276 FA150 SERIAL FA1500082 THRU FA1500166		
		CONTINUED ON NEXT PAGE		

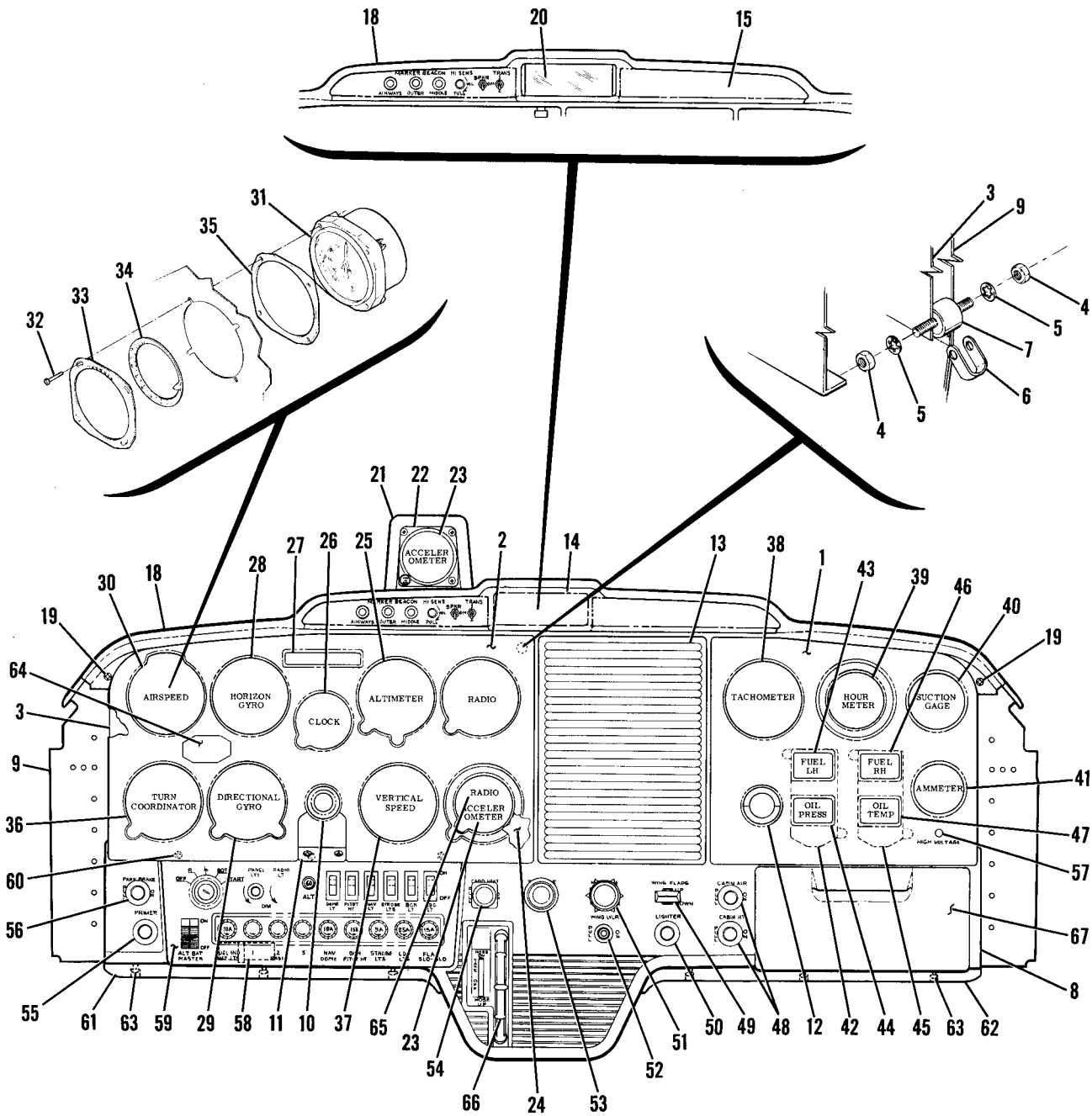
FIGURE AND INDEX NO.	PART NUMBER	DESCRIPTION	UNITS PER ASSY	USABLE ON CODE
47 -		<p style="text-align: center;">1 2 3 4 5 6 7</p> <p>S---150 SERIAL 15071129 THRU 15072003 F150 SERIAL F15000530 THRU F15000658 A150 SERIAL A1500001 THRU A1500226 FA150 SERIAL FA1500001 THRU FA1500081</p> <p>T---150 SERIAL 15072004 THRU 15073658 F150 SERIAL F15000659 THRU F15000863 A150 SERIAL A1500227 THRU A1500342 FA150 SERIAL FA1500082 THRU FA1500167</p> <p>U---150 SERIAL 15071129 THRU 15072003 F150 SERIAL F15000530 THRU F15000658</p> <p>V---150 SERIAL 15072004 THRU 15073658 F150 SERIAL F15000659 THRU F15000863</p> <p>W---150 SERIAL 15071129 THRU 15072003</p> <p>X---150 SERIAL 15072004 THRU 15073658</p> <p>Y---A150 SERIAL A1500227 THRU A1500342</p> <p>Z---FA150 SERIAL FA1500082 THRU FA1500166</p> <p>AA---150 SERIAL 15071129 THRU 15072628 F150 SERIAL F1500530 THRU F15000738 A150 SERIAL A1500001 THRU A1500276 FA150 SERIAL FA1500001 THRU FA1500166</p> <p>AB---150 SERIAL 15072629 THRU 15073658 F150 SERIAL F15000739 THRU F15000863 A150 SERIAL A1500277 THRU A1500342</p> <p>AC---150 SERIAL 15071129 THRU 15072628 F150 SERIAL F15000530 THRU F15000863 A150 SERIAL A1500001 THRU A1500276 FA150 SERIAL FA1500001 THRU FA1500166</p> <p>AD---150 SERIAL 15072629 THRU 15073658 A150 SERIAL A1500277 THRU A1500342</p> <p>AE---A150 SERIAL A1500001 THRU A1500276 FA150 SERIAL FA1500001 THRU FA1500166</p> <p>AF---A150 SERIAL A1500277 THRU A1500342</p> <p>AG---150 SERIAL 15072629 THRU 15073658</p> <p>AH---150 SERIAL 15072004 THRU 15072628 F150 SERIAL F15000659 THRU F15000738 A150 SERIAL A1500227 THRU A1500276 FA150 SERIAL FA1500082 THRU FA1500166</p> <p>AJ---150 SERIAL 15071129 THRU 15072628</p> <p>AK---150 SERIAL 15071129 THRU 15072628 F150 SERIAL F15000530 THRU F15000738 A150 SERIAL A1500001 THRU A1500276 FA150 SERIAL FA1500001 THRU FA1500161</p> <p>AL---FA150 SERIAL FA1500162 THRU FA1500166</p> <p>AM---150 SERIAL 15072629 THRU 15073449 F150 SERIAL F15000739 THRU F15000818 A150 SERIAL A1500277 THRU A1500333</p> <p>AN---150 SERIAL 15073450 THRU 15073658 F150 SERIAL F15000819 THRU F15000863 A150 SERIAL A1500334 THRU A1500342</p> <p>AP---150 SERIAL 15071129 THRU 15073658 F150 SERIAL F15000530 THRU F15000863 A150 SERIAL A1500001 THRU A1500342 FA150 SERIAL FA1500001 THRU FA1500166</p> <p>AQ---150 SERIAL 15071129 THRU 15073658 A150 SERIAL A1500001 THRU A1500342</p>		



FIGURE AND INDEX NO.	PART NUMBER		DESCRIPTION							UNITS PER ASSY	USABLE ON CODE
			1	2	3	4	5	6	7		
47A-			INSTRUMENT PANEL & EQUIPMENT INSTALLATION -----							NP	A
- 1	0413529-1	□	COVER ASSY-ENGINE INSTRUMENT -----							1	T
	0413529-8	□	COVER ASSY-ENGINE INSTRUMENT -----							1	Z
	0413529-12	□	COVER ASSY-ENGINE INSTRUMENT -----							1	AC
	1513839-6		GUIDE-COVER ALIGNING -----							3	U
- 2	0413529-3	□	COVER ASSY-SHOCK PANEL USED WITH C661012-0101 -----							1	L
	0413529-10	□	COVER ASSY-SHOCK PANEL USED WITH C661012-0101 -----							1	M
	0413529-4	□	COVER ASSY-SHOCK PANEL USED WITH C661071-0101 & -----							1	T
	0413529-11	□	COVER ASSY-SHOCK PANEL USED WITH C661071-0101 & -----							1	U
	1513839-3		GUIDE-COVER ALIGNING -----							2	T
	1513839-3		GUIDE-COVER ALIGNING -----							5	U
- 3	0413459-4		PANEL ASSY-SHOCK MOUNTED INSTRUMENT -----							1	T
	0413459-5		PANEL ASSY-SHOCK MOUNTED INSTRUMENT -----							1	U
			ATTACHING PARTS -----								
- 4	MS25082B2		NUT -----							12	
- 5	AN936A8		WASHER -----							12	
- 6	0413247		STRAP-GROUND -----							2	
- 7	0413523-4		SHOCKMOUNT -----							6	
			-----*								
- 8	MS35489-33		GROMMET-PANEL GUIDE -----							5	U
	0413467-8	□	COVER-STATIONARY PANEL -----							1	T
	0413467-9	□	COVER-STATIONARY PANEL -----							1	Z
	0413467-10	□	COVER-STATIONARY PANEL -----							1	AC
- 9	0413457-12		PANEL ASSY-STATIONARY -----							1	T
	0413457-14		PANEL ASSY-STATIONARY -----							1	Z
	0413457-15		PANEL ASSY-STATIONARY -----							1	AC
	S1863-2		NUTPLATE-DOUBLE LUG ATTACH SWITCH PANEL -----							3	
	S1862-1		NUTPLATE-SINGLE LUG ATTACH SWITCH PANEL -----							3	
	NAS684A06		NUTPLATE ATTACH GLOVE BOX DOOR -----							4	
	0413487-1		BRACKET-INSTRUMENT PANEL -----							1	
	0413522-3		BRACKET-INSTRUMENT PANEL COVER ATTACH -----							6	T
	0413522-3		BRACKET-INSTRUMENT PANEL COVER ATTACH -----							2	U
	0413534-1		BRACKET-MARKER BEACON -----							1	U
	MS35489-4		GROMMET -----							3	U
-10	0760131-7		SUPPORT & COLLAR-CONTROL LOCK -----							1	J
	0760131-6		SUPPORT & COLLAR-CONTROL LOCK -----							1	K
			ATTACHING PARTS -----								
	AN515-6R10		SCREW -----							4	
	AN960-6L		WASHER -----							4	
	MS21044N06		NUT -----							4	
			-----*								
-11	0413529-7	□	PLATE ASSY-SPLICE -----							1	
			ATTACHING PARTS -----								
	S102126-8B		SCREW -----							2	
	NAS395-4-3		NUT -----							2	
			-----*								
-12	0513056-3		GROMMET HALF -----							2	T
	0760131-5		SUPPORT-CONTROL TUBE -----							1	U
			ATTACHING PARTS -----								
	AN515-6R10		SCREW -----							4	U
	AN960-6L		WASHER -----							4	U
	MS21044N06		NUT -----							4	U
			-----*								
-13	0413531-1	□	COVER-RADIO CUTOUT -----							1	T
	0413531-28	□	COVER ASSY-RADIO CUTOUT -----							1	U
	0413532-1	□	TRIM-RADIO COVER -----							AR	
-14	0415005-1	□	INSERT-EYEBROW 150 WITHOUT MIRROR INSTL -----							1	L
	0415005-3	□	INSERT-EYEBROW A150 WITHOUT MIRROR INSTL -----							1	D
	0415005-5	□	INSERT-EYEBROW 150 & A150 WITHOUT MIRROR INSTL -----							1	N
	0415005-9	□	INSERT-EYEBROW 150 & A150 WITHOUT MIRROR INSTL -----							1	E
	0415005-7	□	INSERT-EYEBROW 150 & A150 WITHOUT MIRROR INSTL USED -----							1	N
	0415005-11	□	INSERT-EYEBROW 150 & A150 WITHOUT MIRROR INSTL USED -----							1	E
			WITH MARKER BCN INSTL -----								
-15	0415005-2	□	INSERT-EYEBROW 150 & F150 WITH MIRROR INSTL -----							1	P
	0415005-4	□	INSERT-EYEBROW A150 & FA150 WITH MIRROR INSTL -----							1	R
	0415005-6	□	INSERT-EYEBROW USED WITH MIRROR INSTL -----							1	Z
	0415005-10	□	INSERT-EYEBROW USED WITH MIRROR INSTL -----							1	AC
	0415005-8	□	INSERT-EYEBROW USED WITH MIRROR & MARKER BCN INSTL -----							1	Z
	0415005-12	□	INSERT-EYEBROW USED WITH MIRROR & MARKER BCN INSTL -----							1	AC
-16			DELETED, NOT USED -----								
-17			DELETED, NOT USED -----								

CONTINUED ON NEXT PAGE

Instruments (Cont)



150 SERIAL 15073659 THRU 15077005
 F150 SERIAL F15000864 THRU F15001248
 A150 SERIAL A1500343 THRU A1500609
 FA150 SERIAL FA1500167 THRU FA1500281

Figure 47A. Instrument Panel Equipment Installation



FIGURE AND INDEX NO.	PART NUMBER	DESCRIPTION							UNITS PER ASSY	USABLE ON CODE
		1	2	3	4	5	6	7		
47A-18	0415003-4 0415003-6	EYEBROW ASSY-INSTRUMENT PANEL ----- EYEBROW ASSY-INSTRUMENT PANEL ----- ATTACHING PARTS -----							1 1	T U
-19	S1023A6-12B S1067B1 NAS446-2-3	SCREW ----- WASHER ----- NUT ----- -----*							9 9 2	
-20	0400339-1 MS21042L4 AN960-416	MIRROR ASSY-REAR VIEW ----- ATTACHING PARTS ----- NUT ----- WASHER ----- -----*							1 1 2	
-21	0413470-1 S1021Z4-6 NAS446-1-1	□	COVER-ACCELEROMETER ----- ATTACHING PARTS ----- SCREW ----- NUT ----- -----*					1 4 4	F	
-22	0413491-1 AN515B8R6 MS21044N08	BRACKET-ACCELEROMETER ----- ATTACHING PARTS ----- SCREW ----- NUT ----- -----*							1 3 3	F
-23	C661015-0102 AN515B8R10 AN936A8 AN340B8	ACCELEROMETER ----- ATTACHING PARTS ----- SCREW ----- WASHER ----- NUT ----- -----*							1 3 3 3	F
-24	0413509-1 AN515B8R10 AN936A8 AN340B8	ADAPTER-ACCELEROMETER ----- ATTACHING PARTS ----- SCREW ----- WASHER ----- NUT ----- -----*							1 3 3 3	F
-25	C661012-0101 C661071-0101 C661071-0102 C661025-0102 SEE FIG 73A AN515B6R10	ALTIMETER-18,000 FT FOR VFR APPLICATIONS ONLY ----- ALTIMETER-20,000 FT SENSITIVE ----- ALTIMETER-20,000 FT FEET/MILIBARS ----- ALTIMETER-35,000 FT FEET/MILIBARS ----- ENCODING & DUAL ALTIMETER INSTL ----- ATTACHING PARTS ----- SCREW ----- -----*							1 1 1 1 AR 3	B W X
-26	S1317N2 C664508-0101 AN515B6R12	CLOCK-ELECTRIC WEU C664508-0101 ----- CLOCK-ELECTRIC ----- ATTACHING PARTS ----- SCREW ----- -----*							1 1 2	G H
-27	0400211-6	PLACARD-AIRPLANE IDENTIFICATION -----							1	
-28	C661076-0102 C661076-0101 C661076-0103 C661076-0105 AN515B6R6	* * * * 	INDICATOR-GYRO HORIZON ----- INDICATOR-GYRO HORIZON ----- INDICATOR-GYRO HORIZON ----- INDICATOR-GYRO HORIZON ----- ATTACHING PARTS ----- SCREW ----- -----*					1 1 1 1 1 4	W	
-29	C661075-0103 C661075-0104 C661075-0101 C661075-0106 C661075-0105 AN515B6R8	% % % % 	INDICATOR-DIRECTIONAL GYRO ----- INDICATOR-DIRECTIONAL GYRO ----- INDICATOR-DIRECTIONAL GYRO ----- INDICATOR-DIRECTIONAL GYRO ----- INDICATOR-DIRECTIONAL GYRO WITH HEADING REFERENCE BUG ----- ATTACHING PARTS ----- SCREW ----- -----*					1 1 1 1 1 4	W	
-30	C661060-0101 C661060-0102 AN515B6R10	INDICATOR-AIRSPPEED ----- INDICATOR-AIRSPPEED A150 & FA150 ONLY ----- ATTACHING PARTS ----- SCREW ----- -----*							1 1 4	C F

CONTINUED ON NEXT PAGE

FIGURE AND INDEX NO.	PART NUMBER	DESCRIPTION	UNITS PER ASSY	USABLE ON CODE
47A-		TRUE AIRSPEED INSTALLATION -----	NP	
-31	C661061-0101	INDICATOR-TRUE AIRSPEED -----	1	C
	C661061-0102	INDICATOR-TRUE AIRSPEED A150 & FA150 ONLY -----	1	F
		ATTACHING PARTS -----		
-32	AN515B6R16	SCREW -----	4	
-33	0700162-1	RETAINER ASSY -----	1	
-34	0700189-10	RING ASSY -----	1	
-35	0700162-7	SPACER -----	2	
		---*---		
-36	C661003-0501	INDICATOR-TURN COORDINATOR WEU C661003-0504 -----	1	G
	C661003-0504	INDICATOR-TURN COORDINATOR -----	1	H
	C661003-0601	INDICATOR-TURN COORDINATOR USED WITH -----	1	T
		WING LEVELER INSTALLATION ONLY -----		
	S1413N2	INDICATOR-TURN & BANK -----	1	
		ATTACHING PARTS -----		
	AN515B6R16	SCREW -----	4	
	AN936A6B	WASHER -----	4	
		---*---		
-37	C661080-0101	INDICATOR-VERTICAL SPEED -----	1	
		ATTACHING PARTS -----		
	AN507B632R12	SCREW -----	3	
	S1066B1	WASHER -----	3	
		---*---		
-38	S1305N7	TACHOMETER WEU C668020-0101 -----	1	G
	C668020-0101	TACHOMETER -----	1	V
	C668020-0113	TACHOMETER -----	1	AA
		ATTACHING PARTS -----		
	AN515B8R10	SCREW -----	4	
	NAS43DD3-22	SPACER -----	4	
	AN936A8	WASHER -----	4	
	AN340B8	NUT -----	4	
		---*---		
-39	S1605-3	SHAFT-TACHOMETER -----	1	
	C664501-0101	HOURLYMETER WEU C664501-0103 -----	1	G
	C664501-0103	HOURLYMETER -----	1	H
		ATTACHING PARTS -----		
	AN515-6R6	SCREW -----	4	
	NAS43DD1-6	SPACER -----	4	
	AN936A6	WASHER -----	4	
	AN340B6	NUT -----	4	
		---*---		
-40	S1414N1	GAGE-SUCTION WEU C668540-0101 -----	1	G
	C668540-0101	GAGE-SUCTION -----	1	H
		ATTACHING PARTS -----		
	AN515B6R12	SCREW -----	4	
		---*---		
-41	S1320-5	AMMETER-60 AMP -----	1	
	0413427-3	SPACER-AMMETER -----	1	
-42	C669504-0104	INSTRUMENT CLUSTER-LH -----	1	
		ATTACHING PARTS -----		
	AN515-6R14	SCREW -----	2	
	NAS43DD1-32	SPACER -----	2	
	AN936A6	WASHER -----	2	
	AN340B6	NUT -----	2	
		---*---		
-43	441364	GAGE-FUEL SW -----	1	
-44	444679	GAGE-OIL PRESSURE SW -----	1	
-45	C669505-0103	INSTRUMENT CLUSTER-RH -----	1	
		ATTACHING PARTS -----		
	AN515-6R14	SCREW -----	2	
	NAS43DD1-32	SPACER -----	2	
	AN936A6	WASHER -----	2	
	AN340B6	NUT -----	2	
		---*---		
-46	441365	GAGE-FUEL SW -----	1	
-47	442876-38	GAGE-OIL TEMP SW -----	1	
-48	S1239-46	CONTROL-CABIN HEAT, CABIN AIR -----	2	
-49	S1661-2	SWITCH-FLAP -----	1	
		ATTACHING PARTS -----		
	S1216-4	NUT -----	1	
		---*---		
	S1771-1	KNOB-FLAP SWITCH -----	1	

CONTINUED ON NEXT PAGE

FIGURE AND INDEX NO.	PART NUMBER	DESCRIPTION	UNITS PER ASSY	USABLE ON CODE
		1 2 3 4 5 6 7		
47A-50	0513039-7	CIGAR LIGHTER -----	1	
	L4858-1	PLUG-HEATER CUE -----	1	
	S1982-1	KNOB-CIGAR LIGHTER -----	1	
	60232-1	CIRCUIT BREAKER-CIGAR LIGHTER CUE -----	1	Q
	155109A	FUSEHOLDER-CIGAR LIGHTER -----	1	Y
	SFE-9	FUSE-CIGAR LIGHTER -----	1	Y
	CM2692-28-2H	PLUG BUTTON INSTALLED WHEN LIGHTER IS NOT USED -----	1	
-51	S1777-1	CONTROL-MIXTURE -----	1	AB
	S1234-11	CONTROL-MIXTURE -----	1	AC
	041811-1	SPACER-MIXTURE CONTROL .120 THICK -----	AR	AC
	041811-2	SPACER-MIXTURE CONTROL .060 THICK -----	AR	AC
-52	S1791-1	VALVE-WING LEVELER -----	1	T
		ATTACHING PARTS -----		
	AN960-616	WASHER -----	1	T
	0713026-6	NUT -----	1	T
		-----*		
	S1981-1	KNOB-WING LEVELER VALVE -----	1	T
-53	C299505-0202S	CONTROL-THROTTLE -----	1	
	S1748-1	KNOB-THROTTLE -----	1	
	1213646-2	WASHER BETWEEN PANEL COVER & CONTROL -----	1	
-54	S1230-19	CONTROL-CARBURETOR HEAT -----	1	
-55	C291502-0103	PRIMER ASSY-FUEL -----	1	
	S1974-1	KNOB-PRIMER -----	1	
-56	S1239-49	CONTROL-PARKING BRAKE -----	1	
-57	S2135-1	LIGHT ASSY-OVERVOLTAGE -----	1	
-58	C593001-0101	SENSOR-OVERVOLTAGE -----	1	
		ATTACHING PARTS -----		
	S2209-2	TIE STRAP -----	1	
		-----*		
-59	SEE FIG 48 & 48A	PANEL ASSY-SWITCH -----	1	
		ATTACHING PARTS -----		
-60	S102126-8	SCREW -----	3	
		-----*		
-61	0414037-1	PAD-PROTECTION LH WEU 0414037-3 -----	1	T
	0414037-3	PAD-PROTECTION LH -----	1	U
-62	0414037-2	PAD-PROTECTION RH -----	1	
		ATTACHING PARTS -----		
-63	S102126-8	SCREW -----	3	
		-----*		
-64	SEE FIG 2A	PLACARD-SPIN -----	1	
-65		RADIO INSTALLATION SEE CESSNA ELECTRONICS MANUAL -----	AR	
-66	SEE FIG 72	ELEVATOR TRIM CONTROL INSTALLATION -----	1	
-67	SEE FIG 49	GLOVE BOX & DOOR INSTALLATION -----	1	
<p>NOTE. #THIS PART NUMBER MUST HAVE A SECOND DASH NUMBER ADDED TO DENOTE COLOR. REFER TO HOW TO ORDER INTERIOR PARTS-PAGE VII.</p> <p>NOTE. *THESE GYROS ARE PHYSICALLY & FUNCTIONALLY INTERCHANGABLE.</p> <p>NOTE. #THESE GYROS ARE PHYSICALLY & FUNCTIONALLY INTERCHANGABLE.</p> <p>A---150 SERIAL 15073659 THRU 15077005 F150 SERIAL F15000864 THRU F15001248 A150 SERIAL A1500343 THRU A1500609 FA150 SERIAL FA1500167 THRU FA1500281</p> <p>B---150 SERIAL 15073659 THRU 15077005 C---150 SERIAL 15073659 THRU 15077005 F150 SERIAL F15000864 THRU F15001248</p> <p>D---A150 SERIAL A1500343 THRU A1500429 E---150 SERIAL 15075782 THRU 15077005 A150 SERIAL A1500524 THRU A1500609</p> <p>F---A150 SERIAL A1500343 THRU A1500609 FA150 SERIAL FA1500167 THRU FA1500281</p> <p>G---F150 SERIAL F15000864 THRU F15001013 FA150 SERIAL FA1500167 THRU FA1500211</p> <p style="text-align: center;">CONTINUED ON NEXT PAGE</p>				

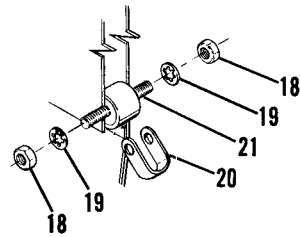
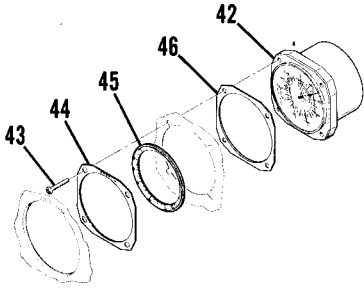


FIGURE AND INDEX NO.	PART NUMBER	DESCRIPTION	UNITS PER ASSY	USABLE ON CODE
47A-		<p style="text-align: center;">1 2 3 4 5 6 7</p> <p>H---150 SERIAL 15073659 THRU 15077005 F150 SERIAL F15001014 THRU F15001248 A150 SERIAL A1500343 THRU A1500609 FA150 SERIAL FA1500212 THRU FA1500281</p> <p>J---150 SERIAL 15073659 THRU 15074384 F150 SERIAL F15000864 THRU F1500943 A150 SERIAL A1500343 THRU A1500389 FA150 SERIAL FA1500167 THRU FA1500211</p> <p>K---150 SERIAL 15074385 THRU 15077005 F150 SERIAL F15000944 THRU F15001248 A150 SERIAL A1500390 THRU A1500609 FA150 SERIAL FA1500212 THRU FA1500281</p> <p>L---150 SERIAL 15073659 THRU 15074850 M---150 SERIAL 15074851 THRU 15077005 N---150 SERIAL 15074851 THRU 15075781 A150 SERIAL A1500430 THRU A1500523</p> <p>P---150 SERIAL 15073659 THRU 15074850 F150 SERIAL F15000864 THRU F15001013</p> <p>Q---150 SERIAL 15073659 THRU 15075564 F150 SERIAL F15000864 THRU F15001143 A150 SERIAL A1500343 THRU A1500480 FA150 SERIAL FA1500167 THRU FA1500261</p> <p>R---A150 SERIAL A1500343 THRU A1500249 FA150 SERIAL FA1500167 THRU FA1500211</p> <p>S---A150 SERIAL A1500430 THRU A1500609 FA150 SERIAL FA1500212 THRU FA1500281</p> <p>T---150 SERIAL 15073659 THRU 15074850 F150 SERIAL F15000864 THRU F15001013 A150 SERIAL A1500343 THRU A1500429 FA150 SERIAL FA1500167 THRU FA1500211</p> <p>U---150 SERIAL 15074851 THRU 15077005 F150 SERIAL F15001014 THRU F15001248 A150 SERIAL A1500430 THRU A1500609 FA150 SERIAL FA1500212 THRU FA1500281</p> <p>V---150 SERIAL 15073659 THRU 15075781 F150 SERIAL F15001014 THRU F15001143 A150 SERIAL A1500343 THRU A1500429</p> <p>W---150 SERIAL 15073659 THRU 15077005 A150 SERIAL A1500343 THRU A1500609</p> <p>X---150 SERIAL 15074564 THRU 15077005 F150 SERIAL F15000944 THRU F15001248 A150 SERIAL A1500408 THRU A1500609 FA150 SERIAL FA1500212 THRU FA1500281</p> <p>Y---150 SERIAL 15075565 THRU 15077005 F150 SERIAL F15000144 THRU F15001248 A150 SERIAL A1500481 THRU A1500609 FA150 SERIAL FA1500262 THRU FA1500281</p> <p>Z---150 SERIAL 15074851 THRU 15075781 F150 SERIAL F15001014 THRU F15001143 A150 SERIAL A1500430 THRU A1500523 FA150 SERIAL FA1500212 THRU FA1500261</p> <p>AA---150 SERIAL 15075781 THRU 15077005 F150 SERIAL F15001143 THRU F15001248 A150 SERIAL A1500430 THRU A1500609</p> <p>AB---150 SERIAL 15073659 THRU 15075781 F150 SERIAL F15000864 THRU F15001143 A150 SERIAL A1500343 THRU A1500523 FA150 SERIAL FA1500167 THRU FA1500261</p> <p>AC---150 SERIAL 15075782 THRU 15077005 F150 SERIAL F15001144 THRU F15001248 A150 SERIAL A1500524 THRU A1500609 FA150 SERIAL FA1500262 THRU FA1500281</p>		

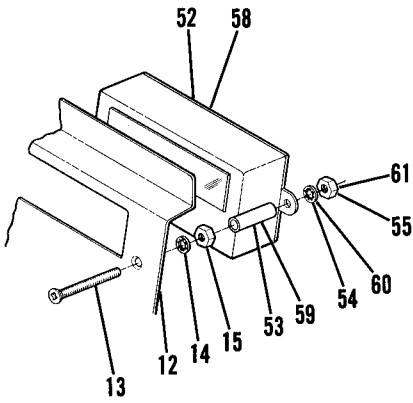
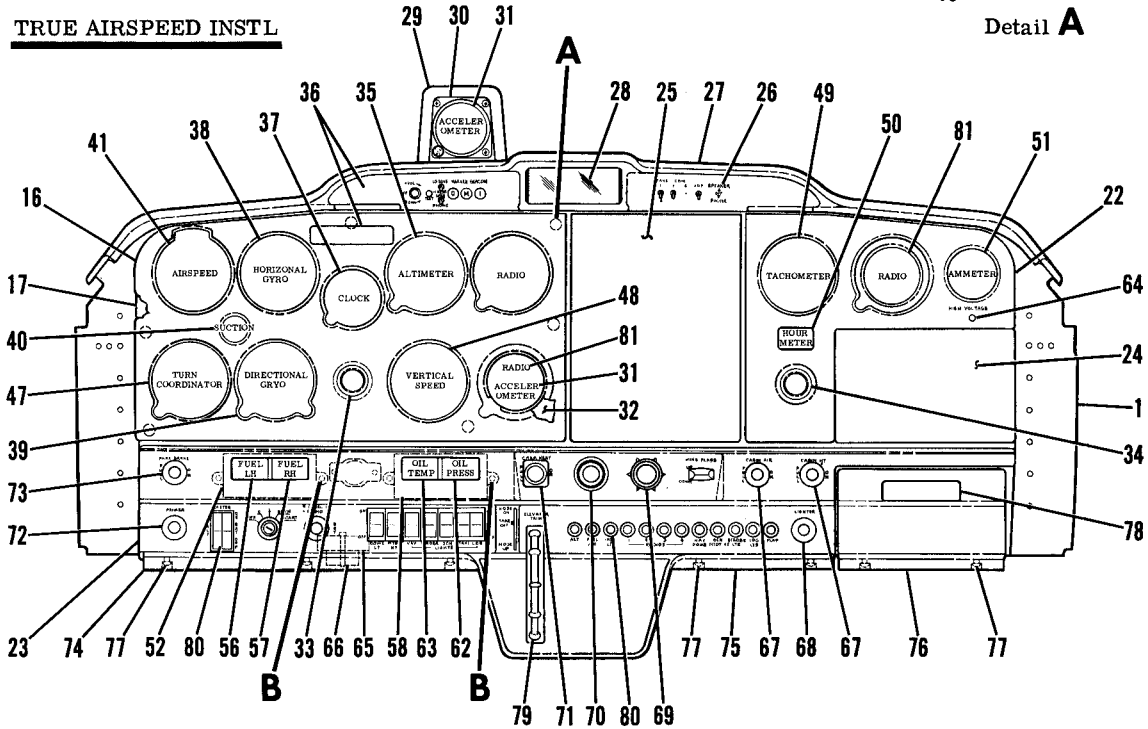
FIGURE AND INDEX NO.	PART NUMBER	DESCRIPTION	UNITS PER ASSY	USABLE ON CODE
		1 2 3 4 5 6 7		
47B-		INSTRUMENT PANEL & EQUIPMENT INSTALLATION -----	NP	A
- 1	0413540-1	PANEL ASSY-STATIONARY INSTRUMENT -----	1	
- 2	0413534-1	BRACKET-MARKER BEACON -----	1	
- 3	S2092-3	FASTENER-HOOK BKI -----	AR	
- 4	MS35489-4	GROMMET -----	3	
- 5	0413542-1	STIFFENER -----	1	
- 6	0413522-3	BRACKET-INSTRUMENT PANEL ATTACH -----	2	
	S2093-3	FASTENER-HOOK BKI -----	AR	
- 7	AN515B6R6	SCREW -----	1	
	AN936A6	WASHER -----	1	
	AN340B6	NUT -----	1	
- 8	0413557-1	BRACKET ASSY -----	2	
- 8A	0413538-1	STIFFENER -----	1	
- 9	S1863-2	NUTPLATE -----	11	
-10	0413543-2	STRAP -----	1	
-11	0413550-1	STIFFENER -----	1	
-12	0413541-2	PANEL ASSY-LOWER -----	1	
-13	AN507-632R24	SCREW -----	4	
-14	AN936A6	WASHER -----	4	
-15	AN340B6	NUT -----	4	
-16	0413544-5	COVER ASSY-SHOCK PANEL -----	1	
	1513839-3	GUIDE-COVER ALIGNING -----	4	
	S2092-4	FASTENER-PILE BKI -----	AR	
-17	0413459-7	PANEL ASSY-SHOCK MOUNTED INSTRUMENT -----	1	
		ATTACHING PARTS		
-18	MS25082B2	NUT -----	14	
-19	AN936A8	WASHER -----	14	
-20	0413247	STRAP-GROUND -----	2	
-21	0413523-4	SHOCKMOUNT -----	7	
		-----*		
	MS35489-33	GROMMET-PANEL GUIDE -----	4	
	S2092-3	FASTENER-HOOK BKI -----	AR	
-22	0413544-2	COVER ASSY-STATIONARY INSTRUMENT RH -----	1	
	1513839-6	GUIDE-COVER ALIGNING -----	3	
	S2092-4	FASTENER-PILE BKI -----	AR	
-23	0413545-1	COVER ASSY-LOWER INSTRUMENT PANEL -----	1	
		ATTACHING PARTS		
	S1021Z6-8	SCREW -----	12	
		-----*		
-24	0413554-1	COVER ASSY-RADIO CUTOUT RH -----	1	
	S2092-3	FASTENER-HOOK BKI -----	AR	
-25	0413553-1	COVER ASSY-RADIO CUTOUT 9.24 IN LG -----	AR	
	0413553-2	COVER ASSY-RADIO CUTOUT 6.24 IN LG -----	AR	
	0413553-3	COVER ASSY-RADIO CUTOUT 3.24 IN LG -----	AR	
-26	0415025-1	INSERT-EYEBROW WITHOUT MIRROR INSTL -----	1	
	0415025-2	INSERT-EYEBROW USED WITH MIRROR INSTL -----	1	
-27	0415003-8	EYEBROW ASSY-INSTRUMENT PANEL -----	1	
		ATTACHING PARTS		
	S1023A6-12B	SCREW -----	7	
	S1067B1	WASHER -----	7	
		-----*		
-28	0400339-1	MIRROR ASSY-REAR VIEW -----	1	
		ATTACHING PARTS		
	MS21042L4	NUT -----	1	
	AN960-416	WASHER -----	2	
		-----*		
-29	0413470-1	COVER-ACCELEROMETER -----	1	B
		ATTACHING PARTS		
	S1021Z4-6	SCREW -----	4	
	NAS446-1-1	NUT -----	4	
		-----*		
-30	0413491-1	BRACKET-ACCELEROMETER -----	1	B
		ATTACHING PARTS		
	AN515B8R6	SCREW -----	3	
	MS21044N08	NUT -----	3	
		-----*		
-31	C661015-0102	ACCELEROMETER -----	1	B
		ATTACHING PARTS		
	AN515B8R10	SCREW -----	3	
	AN936A8	WASHER -----	3	
	AN340B8	NUT -----	3	
		-----*		

CONTINUED ON NEXT PAGE

Instruments (Cont)



TRUE AIRSPEED INSTL



Detail B

150 SERIAL 15077006 THRU 15078505
 F150 SERIAL F15001249 THRU F15001338
 A150 SERIAL A1500610 THRU A1500684
 FA150 SERIAL FA1500282 THRU FA1500311

Figure 47B. Instrument Panel Equipment Installation

FIGURE AND INDEX NO.	PART NUMBER	DESCRIPTION	UNITS PER ASSY	USABLE ON CODE
		1 2 3 4 5 6 7		
47B-32	0413509-1	ADAPTER-ACCELEROMETER ----- ATTACHING PARTS -----	1	B
	AN515B8R10	SCREW -----	3	
	AN936A8	WASHER -----	3	
	AN340B8	NUT -----	3	
		---*---		
-33	0760131-6	SUPPORT & COLLAR-CONTROL LOCK LH -----	1	
-34	0760131-5	SUPPORT & COLLAR-CONTROL LOCK RH ----- ATTACHING PARTS -----	1	
	AN515-6R10	SCREW -----	4	
	AN960-6L	WASHER -----	4	
	MS21044N06	NUT -----	4	
		---*---		
-35	C661071-0101	ALTIMETER-20,000 FT SENSITIVE -----	1	C
	C661071-0102	ALTIMETER-20,000 FT FEET/MILLIBARS -----	1	
	C661025-0102	ALTIMETER-35,000 FT FEET/MILLIBARS -----	1	
	SEE FIG 73A	ENCODING & DUAL ALTIMETER INSTL ----- ATTACHING PARTS -----	AR	
	AN515B6R10	SCREW -----	3	
		---*---		
-36	SEE FIG 2C	PLACARDS -----	AR	
-37	C664508-0101	CLOCK-ELECTRIC ----- ATTACHING PARTS -----	1	
	AN515B6R12	SCREW -----	2	
		---*---		
-38	C661076-0102	* GYRO-HORIZON -----	1	
	C661076-0101	* GYRO-HORIZON -----	1	
	C661076-0103	* GYRO-HORIZON -----	1	
	C661076-0105	* GYRO-HORIZON ----- ATTACHING PARTS -----	1	C
	AN515B6R6	SCREW -----	4	
		---*---		
-39	C661075-0103	% GYRO-DIRECTIONAL -----	1	
	C661075-0104	% GYRO-DIRECTIONAL -----	1	
	C661075-0101	% GYRO-DIRECTIONAL -----	1	
	C661075-0106	% GYRO-DIRECTIONAL -----	1	C
	C661075-0105	% GYRO-DIRECTIONAL WITH HEADING REFERENCE BUG ----- ATTACHING PARTS -----	1	
	AN515B6R8	SCREW -----	4	
		---*---		
-40	C668509-0101	GAGE-SUCTION -----	1	
-41	C661064-0101	INDICATOR-AIRSPD 150 & F150 ONLY -----	1	D
	C661064-0201	INDICATOR-AIRSPD A150 & FA150 ONLY ----- ATTACHING PARTS -----	1	B
	AN515B6R10	SCREW -----	4	
		---*---		
-42	C661065-0101	TRUE AIRSPD INSTL -----	NP	
	C661065-0102	INDICATOR-TRUE AIRSPD 150 & F150 ONLY -----	1	D
		INDICATOR-TRUE AIRSPD A150 & FA150 ONLY ----- ATTACHING PARTS -----	1	B
	AN515B6R16	SCREW -----	4	
-44	0700162-1	RETAINER ASSY -----	1	
-45	S2234-1	RING ASSY 150 & F150 ONLY -----	1	D
	S2234-2	RING ASSY A150 & FA150 ONLY -----	1	B
-46	0700162-3	SPACER .050 THICK -----	AR	
	0700162-4	SPACER .060 THICK -----	AR	
	0700162-6	SPACER .071 THICK -----	AR	
	0700162-7	SPACER .040 THICK ----- ---*---	AR	
-47	C661003-0504	INDICATOR-TURN COORDINATOR -----	1	
	S1413N2	INDICATOR-TURN & BANK ----- ATTACHING PARTS -----	1	
	AN515B6R16	SCREW -----	4	
	AN936A6B	WASHER -----	4	
		---*---		
-48	C661080-0101	INDICATOR-VERTICAL SPEED ----- ATTACHING PARTS -----	1	
	AN507B632R12	SCREW -----	3	
	S1066B1	WASHER -----	3	
		---*---		

CONTINUED ON NEXT PAGE

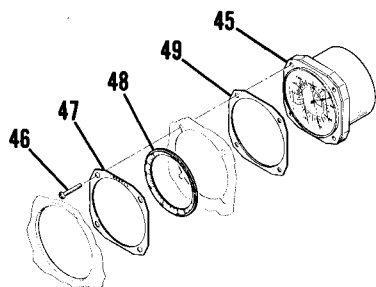


FIGURE AND INDEX NO.	PART NUMBER	DESCRIPTION	1 2 3 4 5 6 7							UNITS PER ASSY	USABLE ON CODE
47B-49	C668020-0113	TACHOMETER ----- ATTACHING PARTS								1	E
	AN515B8R10	SCREW -----								4	
	NAS43DD3-22	SPACER -----								4	
	AN936A8	WASHER -----								4	
	AN340B8	NUT -----								4	
	S1605-3	---*---									
-50	C664502-0101	SHAFT-TACHOMETER ----- HOURMETER ----- ATTACHING PARTS								1 1 1	
	AN515B6R12	SCREW -----								4	
	NAS43DD1-26	SPACER -----								4	
	AN936A6	WASHER -----								4	
	AN340B6	NUT -----								4	
	S1320-5	---*---									
-51	0413427-3	AMMETER-60 AMP -----								1	
-52	C669511-0101	SPACER-AMMETER ----- INSTRUMENT CLUSTER ----- ATTACHING PARTS								1 1 1	
-53	NAS43DD1-56	SPACER -----								2	
-54	AN936A6	WASHER -----								2	
-55	AN340B6	NUT -----								2	
	S1320-5	---*---									
-56	441413	GAGE-FUEL LH SW -----								1	
-57	441412	GAGE-FUEL RH SW -----								1	
-58	C669512-0103 **	INSTRUMENT CLUSTER ----- ATTACHING PARTS								1	
-59	NAS43DD1-56	SPACER -----								2	
-60	AN936A6	WASHER -----								2	
-61	AN340B6	NUT -----								2	
	S1320-5	---*---									
-62	444697	GAGE-OIL PRESSURE SW -----								1	
-63	442907-1 **	GAGE-OIL TEMP SW -----								1	
-64	S2135-1	LIGHT ASSY-OVERVOLTAGE -----								1	
-65	C5930G1-0101	SENSOR-OVERVOLTAGE -----								1	
-66	TVA-1315	CAPACITOR -----								1	
	S2209-2	ATTACHING PARTS TIE STRAP -----								1	
	S1239-46	---*---									
-67	0513039-7	CONTROL-CABIN HEAT, CABIN AIR -----								2	
-68	L4858-1	CIGAR LIGHTER -----								1	
	S1982-1	PLUG-HEATER CUE -----								1	
	155109A	KNOB-CIGAR LIGHTER -----								1	
	SFE-9	FUSEHOLDER-CIGAR LIGHTER -----								1	
-69	S1234-11	FUSE-CIGAR LIGHTER -----								1	
-70	C299505-0202S	CONTROL-MIXTURE -----								1	
	S1748-1	CONTROL-THROTTLE -----								1	
	1213646-2	KNOB-THROTTLE -----								1	
-71	S1230-19	WASHER BETWEEN PANEL COVER & CONTROL -----								1	
-72	C291502-0103	CONTROL-CARBURETOR HEAT -----								1	
	S1974-1	PRIMER ASSY-FUEL -----								1	
-73	S1239-49	KNCB-PRIMER -----								1	
-74	0413551-1	CONTROL-PARKING BRAKE -----								1	
-75	0413551-2	PAD-PROTECTION LH -----								1	
-76	0413551-3	PAD-PROTECTION CENTER ----- PAD-PROTECTION RH ----- ATTACHING PARTS								1 1 1	
-77	S1021Z6-8	SCREW -----								3	
	S1021Z6-8	---*---									
-78	SEE FIG 49A	MAP CASE INSTL -----								1	
-79	SEE FIG 72	ELEVATOR TRIM CONTROL INSTL -----								1	

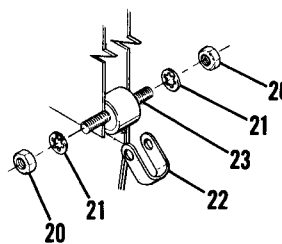
CONTINUED ON NEXT PAGE

FIGURE AND INDEX NO.	PART NUMBER	DESCRIPTION	UNITS PER ASSY	USABLE ON CODE
47B-80 -81	SEE FIG 498	<p style="text-align: center;">1 2 3 4 5 6 7</p> <p>SWITCH & CIRCUIT BREAKER INSTL ----- RADIO INSTL SEE CESSNA ELECTRONICS MANUAL -----</p> <p>NOTE. □THIS PART NUMBER MUST HAVE A SECOND DASH NUMBER ADDED TO DENOTE COLOR. REFER TO HOW TO ORDER INTERIOR PARTS-PAGE VII.</p> <p>NOTE. *THESE GYROS ARE PHYSICALLY & FUNCTIONALLY INTERCHANGABLE.</p> <p>NOTE. †THESE GYROS ARE PHYSICALLY & FUNCTIONALLY INTERCHANGABLE.</p> <p>NOTE. **WHEN INITIALLY ORDERING THIS PART FOR AIRCRAFT PRIOR TO SERIALS 15077216 & A1500631 A NEW SENDING UNIT, PART NUMBER S1630-4, MUST BE INSTALLED.</p> <p>A---150 SERIAL 15077006 THRU 15078505 F150 SERIAL F15001249 THRU F15001338 A150 SERIAL A1500610 THRU A1500684 FA150 SERIAL FA1500282 THRU FA1500311</p> <p>B---A150 SERIAL A1500610 THRU A1500684 FA150 SERIAL FA1500282 THRU FA1500311</p> <p>C---150 SERIAL 15077006 THRU 15078505 A150 SERIAL A1500610 THRU A1500684</p> <p>D---150 SERIAL 15077006 THRU 15078505 F150 SERIAL F15001249 THRU F15001338</p> <p>E---150 SERIAL 15077006 THRU 15078505 F150 SERIAL F15001249 THRU F15001338 A150 SERIAL A1500610 THRU A1500684</p>	1 AR	

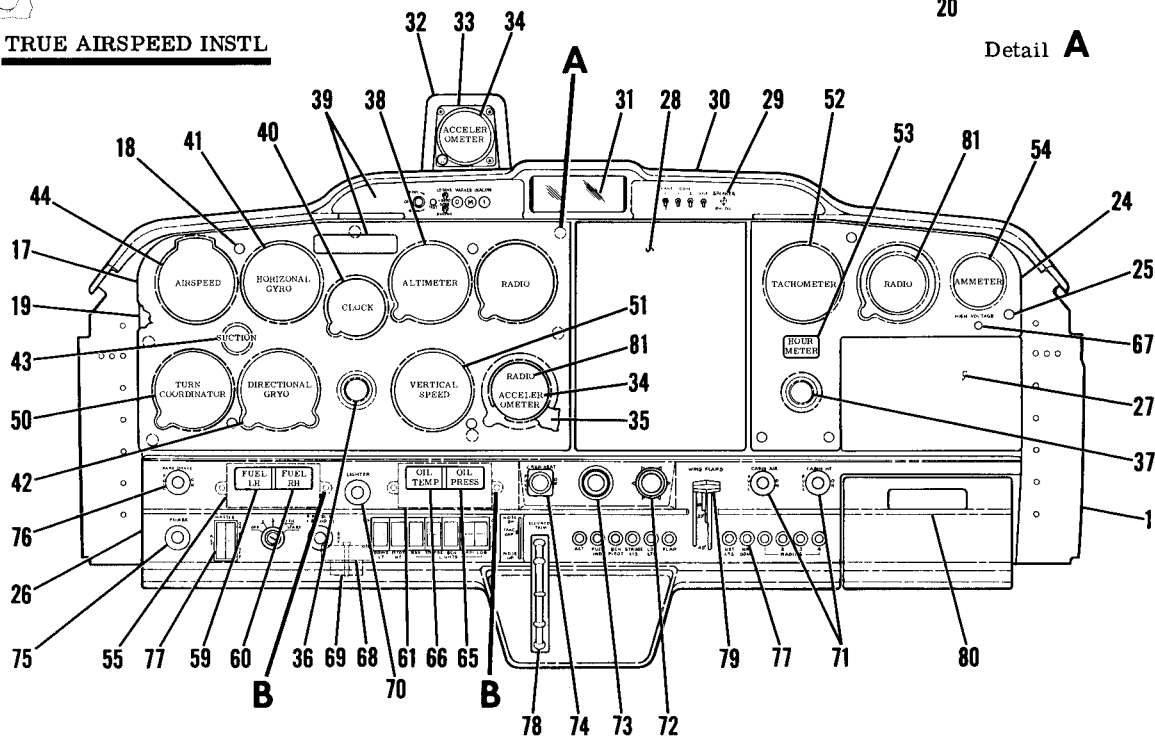
Instruments (Cont)



TRUE AIRSPEED INSTL

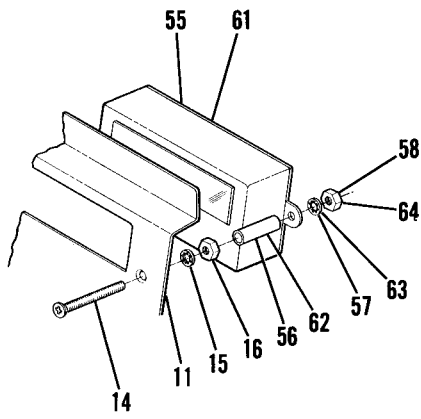


Detail A

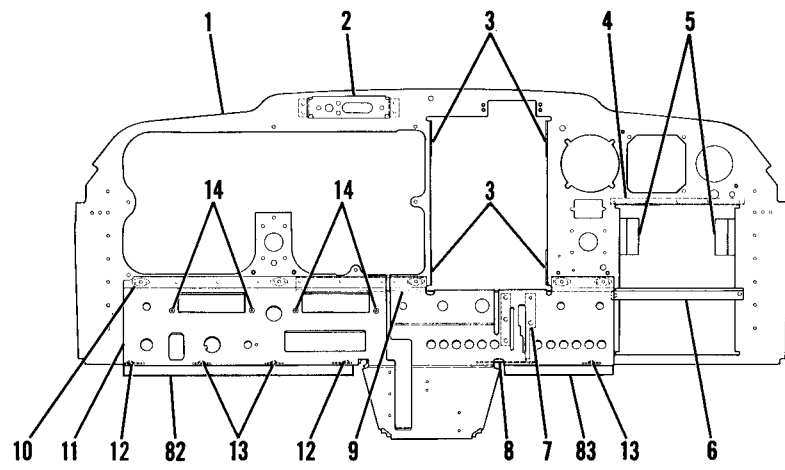


B

B



Detail B



**150 SERIAL 15078506 & ON
 F150 SERIAL F15001339 & ON
 A150 SERIAL A1500685 & ON
 FA150 SERIAL FA1500312 & ON**

Figure 47C. Instrument Panel Equipment Installation



FIGURE AND INDEX NO.	PART NUMBER	DESCRIPTION	UNITS PER ASSY	USABLE ON CODE
		1 2 3 4 5 6 7		
47C-		INSTRUMENT PANEL & EQUIPMENT INSTALLATION -----	NP	A
- 1	0413540-3	PANEL ASSY-STATIONARY INSTRUMENT -----	1	
- 2	0413534-1	BRACKET-MARKER BEACON -----	1	
- 3	S2092-3	FASTENER-HOOK BKI -----	AR	
- 4	0413542-1	STIFFENER -----	1	
- 5	0413557-1	BRACKET ASSY -----	2	
- 6	0413538-1	STIFFENER -----	1	
- 7	0460208-1	BRACKET-FLAP INDICATOR -----	1	
- 8	0413543-2	STRAP -----	1	
- 9	0413550-1	STIFFENER -----	1	
-10	S1863-2	NUTPLATE -----	5	
-11	0413558-1	PANEL ASSY-LOWER -----		
-12	S1862-1A	NUTPLATE -----	2	
-13	S1863-2A	NUTPLATE -----	3	
-14	AN507-632R24	SCREW -----	4	
-15	AN936A6	WASHER -----	4	
-16	AN340B6	NUT -----	4	
-17	0413544-9	□ COVER ASSY-SHOCK PANEL -----	1	
		ATTACHING PARTS -----		
-18	1513174-3	NUT -----	4	
		---*---		
-19	0413459-8	PANEL ASSY-SHOCK MOUNTED INSTRUMENT -----	1	
		ATTACHING PARTS -----		
-20	MS250882	NUT -----	14	
-21	AN936A8	WASHER -----	14	
-22	0413247	STRAP-GROUND -----	2	
-23	0413523-4	SHOCKMOUNT -----	7	
		---*---		
-24	0413544-11	□ COVER-STATIONARY INSTRUMENT RH -----	1	
		ATTACHING PARTS -----		
-25	1513174-3	NUT -----	4	
		---*---		
-26	0413559-1	□ COVER-LOWER INSTRUMENT PANEL -----	1	
		ATTACHING PARTS -----		
	S1021Z6-8	SCREW -----	6	
		---*---		
-27	0413554-1	□ COVER ASSY-RADIO CUTOUT RH -----	1	
	S2092-3	FASTENER-HOOK BKI -----	AR	
-28	0413553-1	□ COVER ASSY-RADIO CUTOUT 9.24 IN LG -----	AR	
	0413553-2	□ COVER ASSY-RADIO CUTOUT 6.24 IN LG -----	AR	
	0413553-3	□ COVER ASSY-RADIO CUTOUT 3.24 IN LG -----	AR	
-29	0415025-1	□ INSERT-EYEBROW WITHOUT MIRROR INSTL -----	1	
	0415025-2	□ INSERT-EYEBROW USED WITH MIRROR INSTL -----	1	
-30	0415003-8	EYEBROW ASSY-INSTRUMENT PANEL -----	1	
		ATTACHING PARTS -----		
	S1023A6-12B	SCREW -----	7	
	S1067B1	WASHER -----	7	
		---*---		
-31	0400339-1	MIRROR ASSY-REAR VIEW -----	1	
		ATTACHING PARTS -----		
	MS21042L4	NUT -----	1	
	AN960-416	WASHER -----	1	
		---*---		
-32	0413470-1	□ COVER-ACCELEROMETER -----	1	B
		ATTACHING PARTS -----		
	S102124-6	SCREW -----	4	
	NAS446-1-1	NUT -----	4	
		---*---		
-33	0413491-1	BRACKET-ACCELEROMETER -----	1	B
		ATTACHING PARTS -----		
	AN515B8R6	SCREW -----	3	
	MS21044N08	NUT -----	3	
		---*---		
-34	C661015-0102	ACCELEROMETER -----	1	B
		ATTACHING PARTS -----		
	AN515B8R10	SCREW -----	3	
	AN936A8	WASHER -----	3	
	AN340B8	NUT -----	3	
		---*---		

CONTINUED ON NEXT PAGE

FIGURE AND INDEX NO.	PART NUMBER	DESCRIPTION							UNITS PER ASSY	USABLE ON CODE
		1	2	3	4	5	6	7		
47C-35	0413509-1	ADAPTER-ACCELEROMETER -----							1	B
		ATTACHING PARTS -----								
	AN515B8R10	SCREW -----							3	
	AN936A8	WASHER -----							3	
	AN340B8	NUT -----							3	
		-----*								
-36	0760131-6	SUPPORT & COLLAR-CONTROL LOCK LH -----							1	
-37	0760131-5	SUPPORT & COLLAR-CONTROL LOCK RH -----							1	
		ATTACHING PARTS -----								
	AN515-6R10	SCREW -----							4	
	AN960-6L	WASHER -----							4	
	NAS679A06	NUT -----							4	
		-----*								
-38	C661071-0101	ALTIMETER-20,000 FT SENSITIVE -----							1	C
	C661071-0102	ALTIMETER-20,000 FT FEET/MILLIBARS -----							1	
	6661025-0102	ALTIMETER-35,000 FT FEET/MILLIBARS -----							1	
	SEE FIG 73A	ENCODING & DUAL ALTIMETER INSTL -----							AR	
		ATTACHING PARTS -----								
	AN5156R10	SCREW -----							3	
		-----*								
-39	SEE FIG 2D	PLACARDS -----							AR	
-40	C664508-0101	CLOCK-ELECTRIC -----							1	
		ATTACHING PARTS -----								
	AN515B6R12	SCREW -----							2	
		-----*								
-41	C661076-0102	*	GYRO-HORIZON -----						1	
	C661076-0101	*	GYRO-HORIZON -----						1	
	C661076-0103	*	GYRO-HORIZON -----						1	
	C661076-0105	*	GYRO-HORIZON -----						1	
		ATTACHING PARTS -----								
	AN515B6R6	SCREW -----							4	
		-----*								
-42	C661075-0103	%	GYRO-DIRECTIONAL -----						1	
	C661075-0104	%	GYRO-DIRECTIONAL -----						1	
	C661075-0101	%	GYRO-DIRECTIONAL -----						1	
	C661075-0106	%	GYRO-DIRECTIONAL -----						1	C
	C661075-0105	%	GYRO-DIRECTIONAL WITH HEADING REFERENCE BUG -----						1	
		ATTACHING PARTS -----								
	AN515B6R8	SCREW -----							4	
		-----*								
-43	C668509-0101	GAGE-SUCTION -----							1	
-44	C661064-0101	INDICATOR-AIRSPEED 150 & F150 ONLY -----							1	D
	C661064-0201	INDICATOR-AIRSPEED A150 & FA150 ONLY -----							1	B
		ATTACHING PARTS -----								
	AN515B6R10	SCREW -----							4	
		-----*								
-45	C661065-0101	TRUE AIRSPEED INSTL -----							NP	
	C661065-0102	INDICATOR-TRUE AIRSPEED 150 & F150 ONLY -----							1	D
		INDICATOR-TRUE AIRSPEED A150 & FA150 ONLY -----							1	B
		ATTACHING PARTS -----								
-46	AN515B6R16	SCREW -----							4	
-47	0700162-1	RETAINER ASSY -----							1	
-48	S2234-1	RING ASSY 150 & F150 ONLY -----							1	D
	S2234-2	RING ASSY A150 & FA150 ONLY -----							1	B
-49	0700162-3	SPACER .050 THICK -----							AR	
	0700162-4	SPACER .060 THICK -----							AR	
	0700162-6	SPACER .071 THICK -----							AR	
	0700162-7	SPACER .040 THICK -----							AR	
		-----*								
-50	C661003-0504	INDICATOR-TURN COORDINATOR -----							1	
	S1413N2	INDICATOR-TURN & BANK -----							1	
		ATTACHING PARTS -----								
	AN515B6R12	SCREW -----							4	
	AN936A6B	WASHER -----							4	
		-----*								

CONTINUED ON NEXT PAGE



FIGURE AND INDEX NO.	PART NUMBER	DESCRIPTION	UNITS PER ASSY	USABLE ON CODE
47C-51	C661080-0101	INDICATOR-VERTICAL SPEED ----- ATTACHING PARTS -----	1	
	AN507B632R12	SCREW -----	3	
	S1066B1	WASHER -----	3	
		-----*		
-52	C668020-0113	TACHOMETER ----- ATTACHING PARTS -----	1	E
	AN515B8R10	SCREW -----	4	
	NAS43DD3-22	SPACER -----	4	
	AN936A8	WASHER -----	4	
	AN340B8	NUT -----	4	
		-----*		
	S1605-3	SHAFT-TACHOMETER -----	1	
-53	C664502-0101	HOURLY METER ----- ATTACHING PARTS -----	1	
	AN515B6R12	SCREW -----	4	
	NAS43DD1-26	SPACER -----	4	
	AN936A6	WASHER -----	4	
	AN340B6	NUT -----	4	
		-----*		
-54	S1320-5	AMMETER-60 AMP -----	1	
	0413427-3	SPACER-AMMETER -----	1	
-55	C669511-0101	INSTRUMENT CLUSTER ----- ATTACHING PARTS -----	1	
-56	NAS43DD1-56	SPACER -----	2	
-57	AN936A6	WASHER -----	2	
-58	AN340B6	NUT -----	2	
		-----*		
-59	441413	GAGE-FUEL LH SW -----	1	
-60	441412	GAGE-FUEL RH SW -----	1	
-61	C669512-0103	INSTRUMENT CLUSTER ----- ATTACHING PARTS -----	1	
-62	NAS43DD1-56	SPACER -----	2	
-63	AN936A6	WASHER -----	2	
-64	AN340B6	NUT -----	2	
		-----*		
-65	444697	GAGE-OIL PRESSURE SW -----	1	
-66	442907-1	GAGE-OIL TEMP SW -----	1	
-67	S2135-1	LIGHT ASSY-OVERVOLTAGE -----	1	
-68	C593001-0101	SENSOR-OVERVOLTAGE -----	1	
-69	TVA-1315	CAPACITOR ----- ATTACHING PARTS -----	1	
	S2209-2	TIE STRAP -----	1	
		-----*		
-70	0513039-7	CIGAR LIGHTER ----- PLUG-HEATER CUE -----	1	
	L4858-1	KNOB-CIGAR LIGHTER -----	1	
	S1982-1	FUSEHOLDER-CIGAR LIGHTER -----	1	
	155109A	FUSE-CIGAR LIGHTER -----	1	
	SFE-9	CONTROL-CABIN HEAT, CABIN AIR -----	2	
-71	S1239-46	CONTROL-MIXTURE -----	1	
-72	9862010-3	CONTROL-THROTTLE -----	1	
-73	9863053-7	WASHER BETWEEN PANEL COVER & CONTROL -----	1	
-74	S1230-19	CONTROL-CARBURETOR HEAT -----	1	
-75	C291502-0103	PRIMER ASSY-FUEL -----	1	
	S1974-1	KNOB-PRIMER -----	1	
-76	S1239-49	CONTROL-PARKING BRAKE -----	1	
-77	SEE FIG 48C	SWITCH & CIRCUIT BREAKER INSTL -----	1	
-78	SEE FIG 72	ELEVATOR TRIM CONTROL INSTL -----	1	
-79	SEE FIG 70A	FLAP POSITION INDICATOR INSTL -----	1	
-80	SEE FIG 49A	MAP CASE INSTL -----	1	
-81		RADIO INSTL SEE CESSNA ELECTRONICS MANUAL -----	AR	

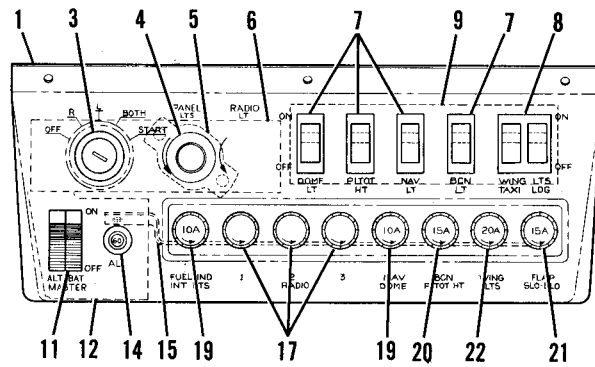
CONTINUED ON NEXT PAGE

FIGURE AND INDEX NO.	PART NUMBER	DESCRIPTION	UNITS PER ASSY	USABLE ON CODE
47C-82	0513292-1	1 2 3 4 5 6 7 PROTECTOR ASSY-LH ----- ATTACHING PARTS ----- SCREW ----- ---*---	1	
	S1021Z6-6	SCREW -----	4	
-83	0513292-2	PROTECTOR ASSY-RH ----- ATTACHING PARTS -----	1	
	S1021Z6-6	SCREW ----- ---*---	2	
NOTE. □THIS PART NUMBER MUST HAVE A SECOND DASH NUMBER ADDED TO DENOTE COLOR. REFER TO HOW TO ORDER INTERIOR PARTS-PAGE VII.				
NOTE. *THESE GYROS ARE PHYSICALLY & FUNCTIONALLY INTERCHANGABLE.				
NOTE. †THESE GYROS ARE PHYSICALLY & FUNCTIONALLY INTERCHANGABLE.				
A---150 SERIAL 15078506 & ON F150 SERIAL F15001339 & ON A150 SERIAL A1500685 & ON FA150 SERIAL FA1500312 & ON B---A150 SERIAL A1500685 & ON FA150 SERIAL FA1500312 & ON C---150 SERIAL 15078506 & ON A150 SERIAL A1500685 & ON D---150 SERIAL 15078506 & ON F150 SERIAL F15001339 & ON E---150 SERIAL 15078506 & ON F150 SERIAL F15001339 & ON A150 SERIAL A1500685 & ON				

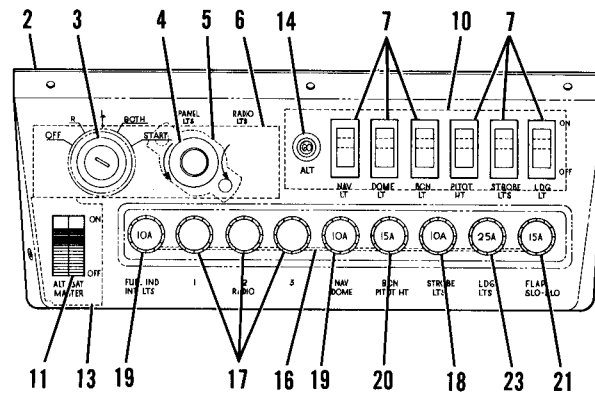
FIGURE AND INDEX NO.	PART NUMBER		DESCRIPTION	UNITS PER ASSY	USABLE ON CODE
		1 2 3 4 5 6 7			
48 -			SWITCH PANEL ASSEMBLY -----	NP	G
- 1	0413462-203	□	PANEL-SWITCH -----	1	A
- 2	0413462-205	□	PANEL-SWITCH -----	1	C
	0413462-207	□	PANEL-SWITCH -----	1	D
- 3	C292501-0102	*□	KIT-IGNITION SWITCH WEU C292501-0104 -----	1	E
	C292501-0104	*	KIT-IGNITION SWITCH -----	1	F
	0413463-3		SHIELD-IGNITION SWITCH -----	1	
- 4	S1880-2		RHEOSTAT-INSTRUMENT LIGHT -----	1	
	S1981-3		KNOB ASSEMBLY-RHEOSTAT -----	1	
			ATTACHING PARTS -----		
	AN565B8H3		SCREW-SET -----	1	
			---*---		
- 5	CA-2		CIRCUIT BREAKER SPTD -----	1	
			ATTACHING PARTS -----		
	AN507-1032-26		SCREW -----	2	
	NAS43DD3-71		SPACER -----	2	
	MS25082-12		NUT -----	2	
			---*---		
- 6	0413480-2		BRACKET-IGNITION SWITCH -----	1	
- 7	S2160-1		SWITCH -----	4	A
	S2160-1		SWITCH -----	6	B
	S2161-1		SWITCH-DUMMY -----	AR	
- 8	S2160-4		SWITCH-DOUBLE -----	1	A
	S2161-2		SWITCH-DUMMY -----	1	A
- 9	0413462-208		SPACER-SWITCH -----	1	A
-10	0413462-209		SPACER-SWITCH -----	1	B
-11	S1690-1-1		SWITCH-MASTER -----	1	H
	S1994-1-1	%	SWITCH-MASTER -----	1	K
			ATTACHING PARTS -----		
	AN507-632R5		SCREW -----	2	H
			---*---		
-11A	0770719-2		DIODE ASSY-MASTER SWITCH ON BACK OF MASTER SWITCH -----	1	
-12	S1843-1	%	BEZEL-MASTER SWITCH MOUNTING -----	1	K
-13	0413479-1		BRACKET-MASTER SWITCH -----	1	A
	0413479-2		BRACKET-MASTER SWITCH -----	1	J
	0413462-12		SPACER-MASTER SWITCH -----	1	K
			ATTACHING PARTS -----		
	AN507-632R6		SCREW -----	1	J
	MS21044N06		NUT -----	1	J
			---*---		
-14	S1596-60L		CIRCUIT BREAKER 60 AMP -----	1	
	S2122-2		NUT-CIRCUIT BREAKER BRIGHT -----	AR	
	S2122-1		NUT-CIRCUIT BREAKER BLACK -----	AR	
-15	0470008-1		BAR-BUS -----	1	A
-16	0470007-1		BAR-BUS -----	1	B
-17	S1090-1		FUSEHOLDER-RADIO -----	3	
	S1090-10		CAP -----	1	
-18	S1090-3		FUSEHOLDER-10 AMP -----	1	B
	S1090-12		CAP -----	1	B
	S1091-10		FUSE-10 AMP -----	1	B
-19	S1090-3		FUSEHOLDER-10 AMP -----	2	
	S1090-12		CAP -----	1	
	S1091-10		FUSE-10 AMP -----	2	

CONTINUED ON NEXT PAGE

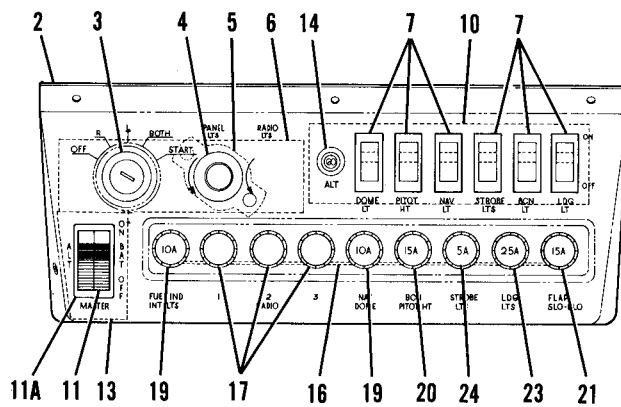
Instruments (Cont)



1970 MODELS



1971 & 1972 MODELS



1973 MODELS

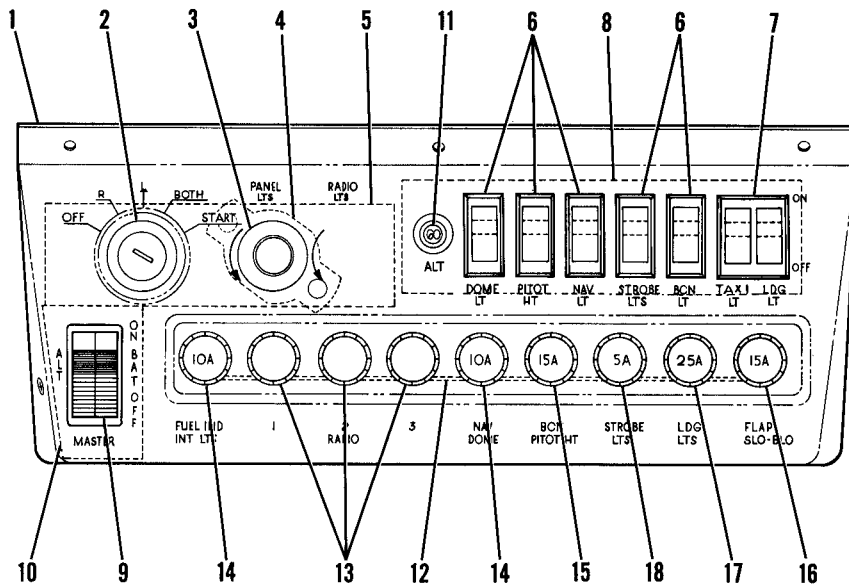
150 SERIAL 15071129 THRU 15074850
 F150 SERIAL F15000530 THRU F15001013
 A150 SERIAL A1500001 THRU A1500429
 FA150 SERIAL FA1500001 THRU FA1500211

Figure 48. Switch Panel Assembly



FIGURE AND INDEX NO.	PART NUMBER	DESCRIPTION							UNITS PER ASSY	USABLE ON CODE
		1	2	3	4	5	6	7		
48 -20	S1090-4	FUSEHOLDER-15 AMP -----							1	
	S1090-13	CAP -----							1	
	S1091-15	FUSE-15 AMP BOTH FLASHING BEACON & HEATED PITOT INSTL ----							1	
	S1091-10	FUSE-10 AMP FLASHING BEACON ONLY -----							1	
-21	S1090-4	FUSEHOLDER-15 AMP -----							1	
	S1090-13	CAP -----							1	
-22	S1627-15	FUSE-15 AMP SLO-BLO -----							1	
	S1090-5	FUSEHOLDER-20 AMP -----							1	A
	S1090-14	CAP -----							1	A
	S1091-20	FUSE-20 AMP -----							1	A
-23	S1090-6	FUSEHOLDER-25 AMP -----							1	B
	S1090-15	CAP -----							1	B
	S1091-25	FUSE-25 AMP -----							1	B
	S1090-2	FUSEHOLDER-5 AMP -----							1	D
-24	S1090-11	CAP -----							1	D
	S1091-5	FUSE-5 AMP -----							1	D
<p>NOTE. #THIS PART NUMBER MUST HAVE A SECOND DASH NUMBER ADDED TO DENOTE COLOR. REFER TO HOW TO ORDER INTERIOR PARTS-PAGE VII.</p> <p>NOTE. *THIS KIT ALSO INCLUDES DOORLOCK & KEYS</p> <p>NOTE. ‡S1994-1-1 MASTER SWITCH & S1843-1 BEZEL MUST BE USED WITH 0413462-207 SWITCH PANEL.</p> <p>A---150 SERIAL 15071129 THRU 15072003 F150 SERIAL F15000530 THRU F15000658 A150 SERIAL A1500001 THRU A1500226 FA150 SERIAL FA1500001 THRU FA1500081</p> <p>B---150 SERIAL 15072004 THRU 15074850 F150 SERIAL F15000659 THRU F15001013 A150 SERIAL A1500227 THRU A1500429 FA150 SERIAL FA1500082 THRU FA1500211</p> <p>C---150 SERIAL 15072004 THRU 15073658 F150 SERIAL F15000659 THRU F15000863 A150 SERIAL A1500227 THRU A1500342 FA150 SERIAL FA1500082 THRU FA1500166</p> <p>D---150 SERIAL 15073659 THRU 15074850 F150 SERIAL F15000864 THRU F15001013 A150 SERIAL A1500343 THRU A1500429 FA150 SERIAL FA1500167 THRU FA1500211</p> <p>E---150 SERIAL 15071129 THRU 15074427 F150 SERIAL F15000530 THRU F15001013 A150 SERIAL A1500001 THRU A1500389 FA150 SERIAL FA1500001 THRU FA1500211</p> <p>F---150 SERIAL 15074428 THRU 15074850 A150 SERIAL A1500390 THRU A1500429</p> <p>G---150 SERIAL 15071129 THRU 15074850 F150 SERIAL F15000530 THRU F15001013 A150 SERIAL A1500001 THRU A1500429 FA150 SERIAL FA1500001 THRU FA1500211</p> <p>H---150 SERIAL 15071129 THRU 15073961 F150 SERIAL F15000530 THRU F15000893, F15000896, F15000898, F15000899, F15000900 & F15000903 A150 SERIAL A1500001 THRU A1500361 FA150 SERIAL FA1500001 THRU FA1500191</p> <p>J---150 SERIAL 15072004 THRU 15073961 F150 SERIAL F15000659 THRU F15000893, F15000896, F15000898, F15000899, F15000900 & F15000903 A150 SERIAL A1500227 THRU A1500361 FA150 SERIAL FA1500082 THRU FA1500191</p> <p>K---150 SERIAL 15073962 THRU 15074850 F150 SERIAL F15000894, F15000895, F15000897 F15000901, F15000902 & F15000904 THRU F15001013 A150 SERIAL A1500362 THRU A1500429 FA150 SERIAL FA1500192 THRU FA1500211</p>										

Instruments (Cont)

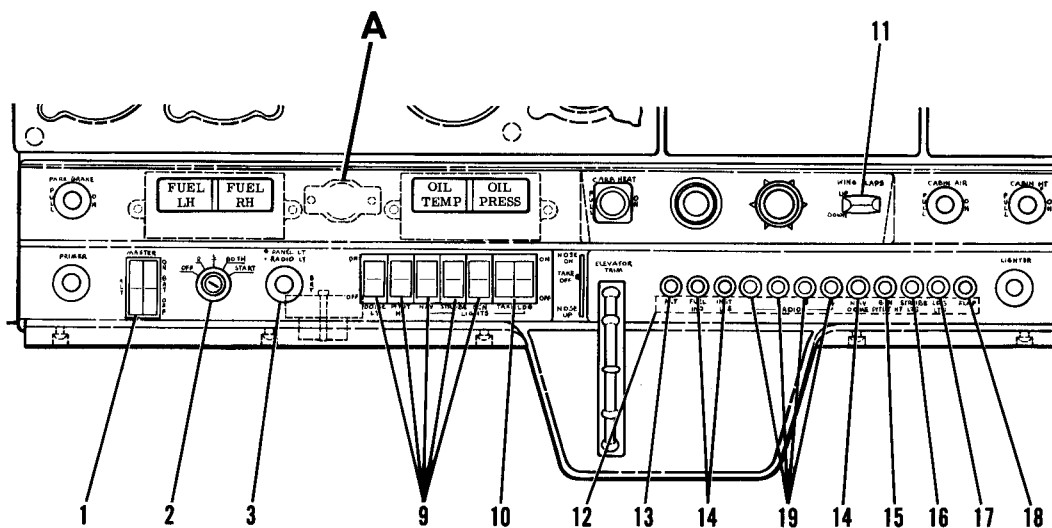
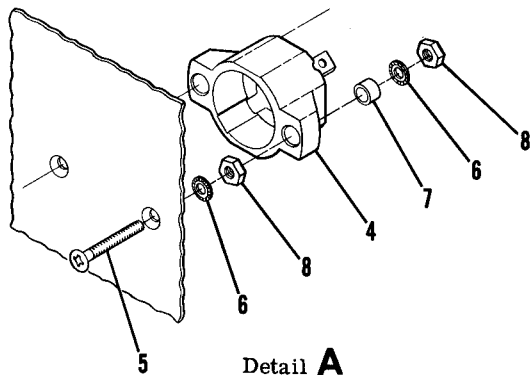


150 SERIAL 15074851 THRU 15077005
 F150 SERIAL F15001014 THRU F15001248
 A150 SERIAL A1500430 THRU A1500609
 FA150 SERIAL FA1500212 THRU FA1500281

Figure 48A. Switch Panel Assembly

FIGURE AND INDEX NO.	PART NUMBER		DESCRIPTION	UNITS PER ASSY	USABLE ON CODE
			1 2 3 4 5 6 7		
48A-			SWITCH PANEL ASSEMBLY -----	NP	A
- 1	0413462-19	□	PANEL-SWITCH -----	1	B
	0413462-22	□	PANEL-SWITCH -----	1	C
- 2	C292501-0104	*	KIT-IGNITION SWITCH -----	1	
	0413462-3		SHIELD-IGNITION SWITCH -----	1	
- 3	S1880-2		RHEOSTAT-INSTRUMENT LIGHT -----	1	
	S1981-3		KNOB ASSEMBLY-RHEOSTAT -----	1	
			ATTACHING PARTS -----		
	AN56588H3		SCREW-SET -----	1	
			-----*		
- 4	CA-2		CIRCUIT BREAKER SPTD -----	1	
			ATTACHING PARTS -----		
	AN507-1032-26		SCREW -----	2	
	NAS43DD3-71		SPACER -----	2	
	MS25082-12		NUT -----	2	
			-----*		
- 5	0413480-2		BRACKET-IGNITION SWITCH -----	1	
- 6	S2160-1		SWITCH -----	5	
	S2161-1		SWITCH-DUMMY -----	AR	
- 7	S2160-5		SWITCH LANDING LIGHT INSTALLATION ONLY -----	1	
	S2160-4		SWITCH LANDING LIGHT & TAXI LIGHT INSTALLATION -----	1	
	S2161-2		SWITCH-DUMMY LANDING & TAXI LIGHT LOCATION -----	AR	
- 8	0413462-20		SPACER-SWITCH -----	1	
- 9	S1994-1-1		SWITCH-MASTER -----	1	
	S1843-1		BEZEL-MASTER SWITCH -----	1	
	0770719-2		DIODE ASSY-MASTER SWITCH ON BACK OF MASTER SWITCH -----	1	
-10	0413462-12		SPACER-MASTER SWITCH -----	1	
-11	S1596-60L		CIRCUIT BREAKER -----	1	
	S2122-2		NUT-CIRCUIT BREAKER BRIGHT -----	1	
	S2122-1		NUT-CIRCUIT BREAKER BLACK -----	1	
-12	0470007-1		BAR-BUS -----	1	
-13	S1090-1		FUSEHOLDER-RADIO -----	3	
	S1090-10		CAP -----	1	
-14	S1090-3		FUSEHOLDER-10 AMP -----	2	
	S1090-12		CAP -----	1	
	S1091-10		FUSE -----	2	
-15	S1090-4		FUSEHOLDER-15 AMP -----	1	
	S1090-13		CAP -----	1	
	S1091-15		FUSE-15 AMP USED WITH BOTH FLASHING BEACON & -----	1	
			PITOT INSTL OR PITOT INSTL ONLY -----		
	S1091-10		FUSE-10 AMP USED WITH FLASHING BEACON ONLY -----	1	
-16	S1090-4		FUSEHOLDER-15 AMP -----	1	
	S1090-13		CAP -----	1	
	S1627-15		FUSE-15 AMP SLO BLD -----	1	
-17	S1090-6		FUSEHOLDER-25 AMP -----	1	
	S1090-15		CAP -----	1	
	S1091-25		FUSE-25 AMP -----	1	
-18	S1090-2		FUSEHOLDER-5 AMP -----	1	
	S1090-11		CAP -----	1	
	S1091-5		FUSE-5 AMP -----	1	
<p>NOTE. □THIS PART NUMBER MUST HAVE A SECOND DASH NUMBER ADDED TO DENOTE COLOR. REFER TO HOW TO ORDER INTERIOR PARTS-PAGE VII.</p> <p>NOTE. *THIS KIT ALSO INCLUDES DOORLOCK & KEYS.</p> <p>A---150 SERIAL 15074851 THRU 15077005 F150 SERIAL F15001014 THRU F15001248 A150 SERIAL A1500430 THRU A1500609 FA150 SERIAL FA1500212 THRU FA1500281</p> <p>B---150 SERIAL 15074851 THRU 15075781 F150 SERIAL F15001014 THRU F15001143 A150 SERIAL A1500340 THRU A1500523 FA150 SERIAL FA1500212 THRU FA1500261</p> <p>C---150 SERIAL 15075782 THRU 15077005 F150 SERIAL F15001144 THRU F15001248 A150 SERIAL A1500524 THRU A1500609 FA150 SERIAL FA1500262 THRU FA1500281</p>					

Instruments (Cont)

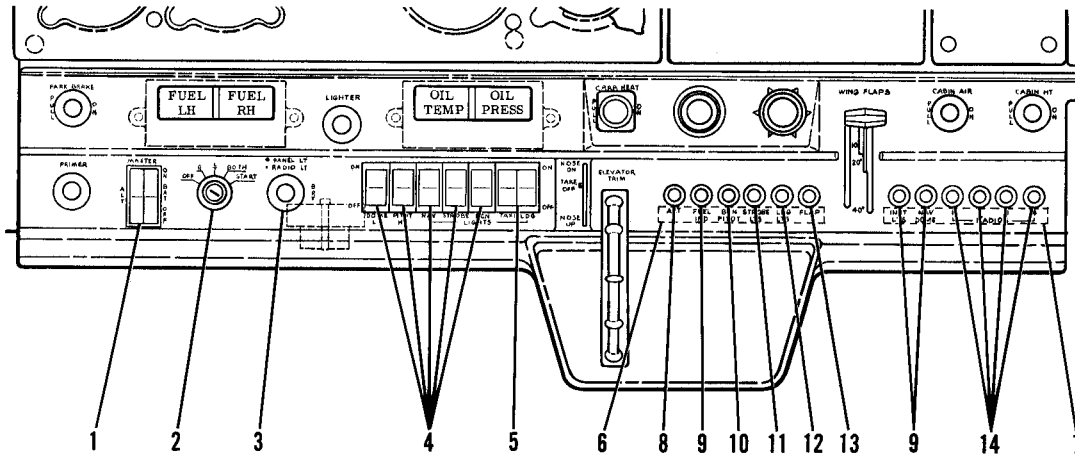


150 SERIAL 15077006 THRU 15078505
 F150 SERIAL F15001249 THRU F15001338
 A150 SERIAL A1500610 THRU A1500684
 FA150 SERIAL FA1500282 THRU FA1500311

Figure 48B. Switch & Circuit Breaker Installation

FIGURE AND INDEX NO.	PART NUMBER	DESCRIPTION	UNITS PER ASSY	USABLE ON CODE
48B-		1 2 3 4 5 6 7		
- 1	S1994-1-1	SWITCH & CIRCUIT BREAKER INSTALLATION -----	NP	A
	S1843-1	SWITCH-MASTER -----	1	
- 2	C292501-0104 *	BEZEL-MASTER SWITCH -----	1	
	0713221-1	KIT-IGNITION SWITCH -----	1	
- 3	S1995-4	COVER-IGNITION SWITCH -----	1	
	AN565B2H3	KNOB ASSY-VARIABLE RESISTOR -----	1	
		ATTACHING PARTS		
	S2091-5	SCREW-SET -----	1	
	S2000B270J	---*---		
- 4	CA-2	RESISTOR ASSY-TANDEM VARIABLE -----	1	
		RESISTOR -----	2	
- 5	AN505-6R16	CIRCUIT BREAKER SPTD -----	1	
- 6	AN936B6	ATTACHING PARTS		
- 7	NAS430D3-10	SCREW -----	2	
- 8	AN315-640	WASHER -----	4	
		SPACER -----	2	
		NUT -----	4	
		---*---		
- 9	S2160-1	SWITCH -----	5	
	S2161-1	COVER-SWITCH CUTOUT -----	AR	
-10	S2160-5	SWITCH LANDING LIGHT INSTALLATION ONLY -----	1	
	S2160-4	SWITCH LANDING & TAXI LIGHT INSTALLATION -----	1	
	S2161-2	COVER-SWITCH CUTOUT -----	AR	
-11	S1661-2	SWITCH-FLAP -----	1	
		ATTACHING PARTS		
	S1216-4	NUT -----	1	
		---*---		
-12	S1771-1	KNOB-FLAP SWITCH -----	1	
-13	I270704-4	BUS BAR -----	1	
-14	S1596-60L	CIRCUIT BREAKER-60 AMP -----	1	
-15	S1360-10L	CIRCUIT BREAKER-10 AMP -----	3	
	S1360-15L	CIRCUIT BREAKER-15 AMP USED WITH BOTH FLASHING BEACON & HEATED PITOT INSTL OR HEATED PITOT INSTL ONLY -----	1	
	S1360-10L	CIRCUIT BREAKER-10 AMP USED WITH FLASHING BEACON ONLY -----	1	
-16	S1360-5L	CIRCUIT BREAKER-5 AMP -----	1	
-17	S1360-25L	CIRCUIT BREAKER-25 AMP -----	1	
-18	S1360-15L	CIRCUIT BREAKER-15 AMP -----	1	
	S2122-1	NUT CIRCUIT BREAKER ATTACH -----	AR	
-19		RADIO INSTL SEE CESSNA ELECTRONICS MANUAL -----	1	
<p>NOTE. *THIS KIT ALSO INCLUDES DOORLOCK & KEYS.</p> <p>A---150 SERIAL 15077006 THRU 15078505 F150 SERIAL F15001249 THRU F15001338 A150 SERIAL A1500610 THRU A1500684 FA150 SERIAL FA1500282 THRU FA1500311</p>				

Instruments (Cont)

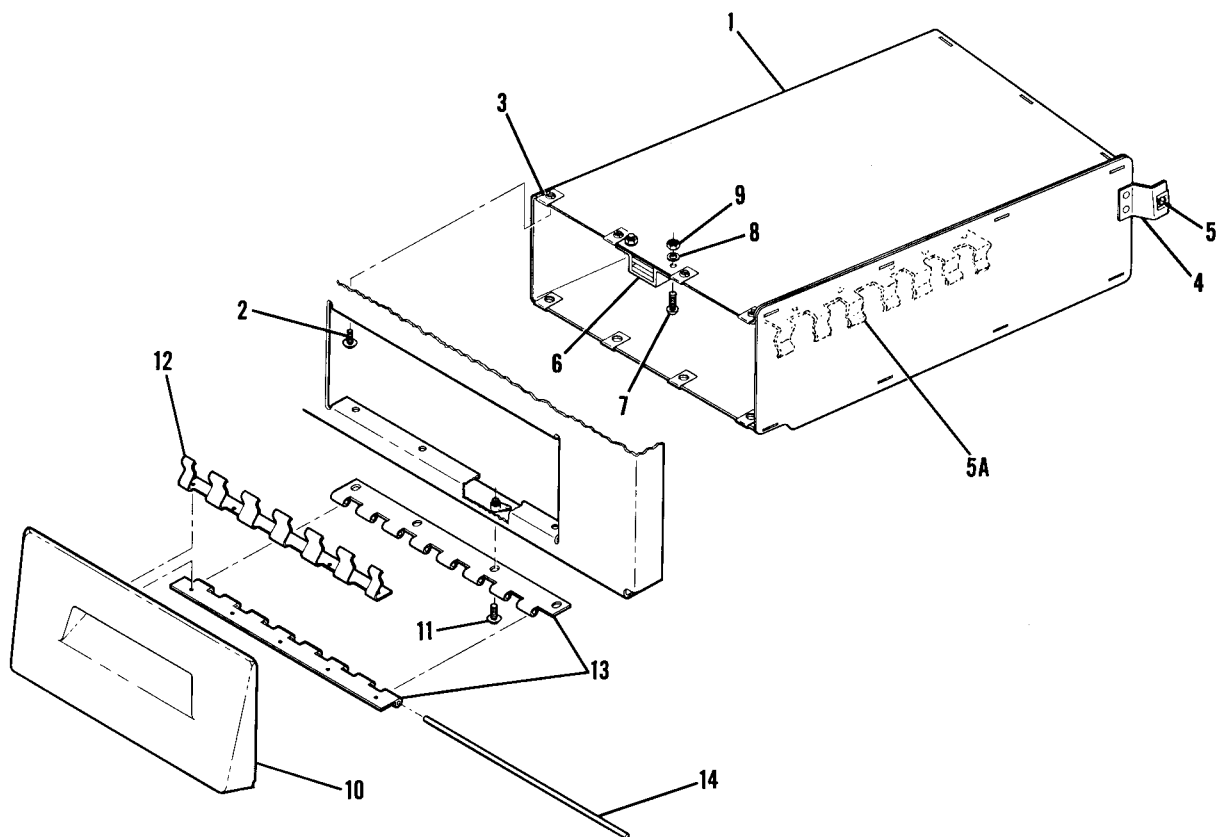


150 SERIAL 15078506 & ON
F150 SERIAL F15001339 & ON
A150 SERIAL A1500685 & ON
FA150 SERIAL FA1500312 & ON

Figure 48C. Switch & Circuit Breaker Installation

FIGURE AND INDEX NO.	PART NUMBER	DESCRIPTION	UNITS PER ASSY	USABLE ON CODE
		1 2 3 4 5 6 7		
48C-		SWITCH & CIRCUIT BREAKER INSTALLATION -----	NP	A
- 1	S1994-1-1	SWITCH-MASTER -----	1	
	S1843-1	BEZEL-MASTER SWITCH -----	1	
- 2	C292501-0104 *	KIT-IGNITION SWITCH -----	1	
	0713221-1	COVER-IGNITION SWITCH -----	1	
- 3	S1995-4	KNOB ASSY-VARIABLE RESISTOR -----	1	
		ATTACHING PARTS		
	AN565B2H3	SCREW-SET -----	1	
		---*---		
	S2091-5	RESISTOR ASSY-TANDEM VARIABLE -----	1	
	S20008270J	RESISTOR -----	2	
- 4	S2160-1	SWITCH -----	5	
	S2161-1	COVER-SWITCH CUTOUT -----	AR	
- 5	S2160-4	SWITCH LANDING & TAXI LIGHT INSTL -----	1	
	S2160-5	SWITCH LANDING LIGHT INSTL ONLY -----	1	
	S2161-2	COVER-SWITCH CUTOUT -----	AR	
- 6	1270704-5	BUS BAR -----	1	
- 7	1270704-6	BUS BAR USED WITHOUT RADIO INSTL -----	1	
	1270704-1	BUS BAR USED WITH RADIO INSTL -----	1	
- 8	S1596-60L	CIRCUIT BREAKER-60 AMP -----	1	
- 9	S1360-10L	CIRCUIT BREAKER-10 AMP -----	3	
-10	S1360-20L	CIRCUIT BREAKER-20 AMP USED WITH BOTH FLASHING BEACON & HEATED PITOT OR HEATED PITOT ONLY -----	1	
	S1360-15L	CIRCUIT BREAKER-15 AMP USED WITH FLASHING BEACON ONLY -----	1	
-11	S1360-5L	CIRCUIT BREAKER-5 AMP -----	1	
-12	S1360-25L	CIRCUIT BREAKER-25 AMP -----	1	
-13	S1360-15L	CIRCUIT BREAKER-15 AMP -----	1	
	S2122-1	NUT CIRCUIT BREAKER ATTACH -----	1	
-14		RADIO INSTL SEE CESSNA ELECTRONICS MANUAL -----	AR	
<p>NOTE. *THIS KIT ALSO INCLUDES DOORLOCK & KEYS.</p> <p>A---150 SERIAL 15078506 & ON F150 SERIAL F15001339 & ON A150 SERIAL A1500685 & ON FA150 SERIAL FA1500312 & ON</p>				

Map Compartment



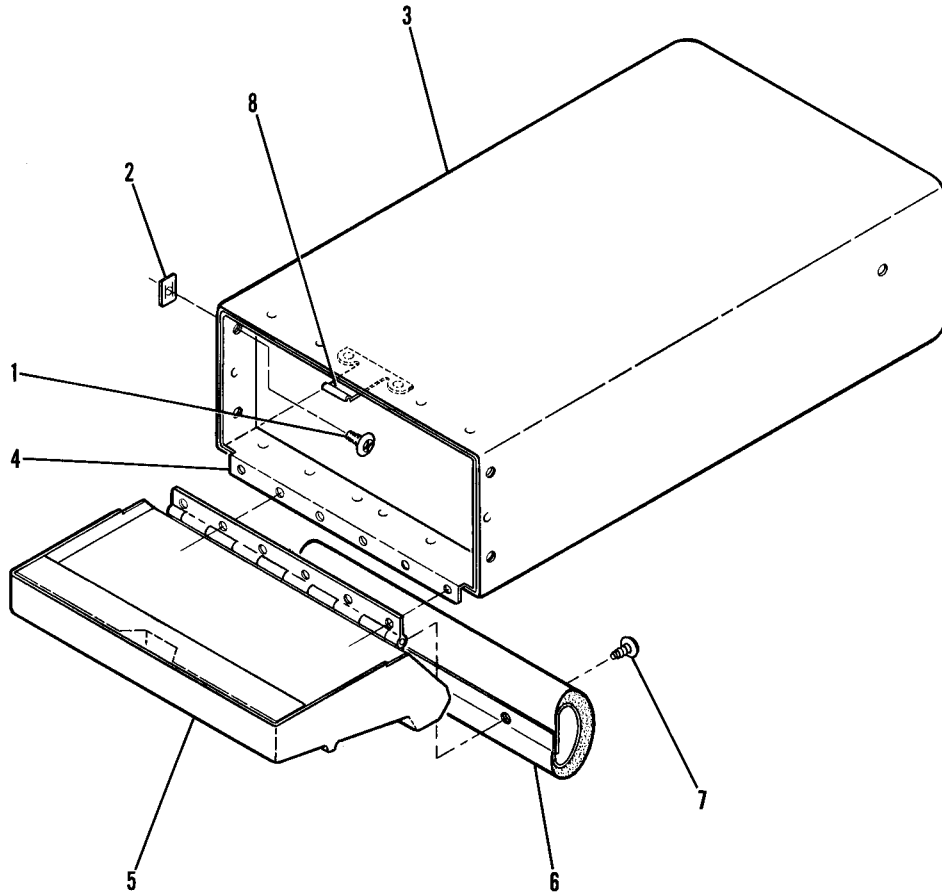
150 SERIAL 15071129 THRU 15077005
F150 SERIAL F15000530 THRU F15001248
A150 SERIAL A1500001 THRU A1500609
FA150 SERIAL FA1500001 THRU FA1500281

Figure 49. Glove Box Installation



FIGURE AND INDEX NO.	PART NUMBER	DESCRIPTION							UNITS PER ASSY	USABLE ON CODE
		1	2	3	4	5	6	7		
49 -		GLOVE BOX INSTALLATION -----							NP	
- 1	0413481-1	BOX ASSEMBLY-GLOVE -----							1	C
	0413481-6	BOX ASSEMBLY-GLOVE -----							1	B
- 2	S1021Z6-6	ATTACHING PARTS -----								
		SCREW -----							8	
		---*---								
- 3	NAS395-6-3	NUTPLATE -----							8	
- 4	0413482-1	BRACKET ASSEMBLY -----							1	
- 5	NAS395-3-3	NUTPLATE -----							1	
- 5A	0413521-1	FUSEHOLDER -----							1	B
- 6	S1895-1	MAGNETIC CATCH -----							1	
		ATTACHING PARTS -----								
- 7	AN515-6R8	SCREW -----							2	
- 8	AN936B6	WASHER -----							2	
- 9	AN340-6	NUT -----							2	
		---*---								
-10	0413458-1	□	DOOR ASSEMBLY-GLOVE BOX -----						1	A
	0413525-1	□	DOOR ASSEMBLY-GLOVE BOX -----						1	B
	0413525-10	□	DOOR ASSEMBLY-GLOVE BOX -----						1	D
			ATTACHING PARTS -----							
-11	AN515-6R6	SCREW -----							4	
		---*---								
-12	0413458-4	FUSEHOLDER -----							1	A
	0413526-1	FUSEHOLDER -----							1	D
-13	0413458-5	HINGE ASSEMBLY -----							1	A
	0413525-1	HINGE ASSEMBLY -----							1	E
-14	0413375-9	PIN-HINGE -----							1	
<p>NOTE. □THIS PART NUMBER MUST HAVE A SECOND DASH NUMBER ADDED TO DENOTE COLOR. REFER TO HOW TO ORDER INTERIOR PARTS-PAGE VII.</p> <p>A---150 SERIAL 15071129 THRU 15072628 F150 SERIAL F15000530 THRU F15000738 A150 SERIAL A1500001 THRU A1500276 FA150 SERIAL FA1500001 THRU FA1500161</p> <p>B---150 SERIAL 15072629 THRU 15072814 F150 SERIAL F15000739 THRU F15000818 A150 SERIAL A1500277 THRU A1500290</p> <p>C---150 SERIAL 15071129 THRU 15072628, 15072815 THRU 15077005 F150 SERIAL F15000530 THRU F15000738, F15000819 THRU 15001248 A150 SERIAL A1500001 THRU A1500276, A1500291 THRU A1500610 FA150 SERIAL FA1500001 THRU FA1500281</p> <p>D---150 SERIAL 15072815 THRU 15077005 F150 SERIAL F15000819 THRU F15001248 A150 SERIAL A1500291 THRU A1500609 FA150 SERIAL 1500162 THRU FA1500281</p> <p>E---150 SERIAL 15072629 THRU 15077005 F150 SERIAL F15000739 THRU F15001248 A150 SERIAL A1500277 THRU A1500609 FA150 SERIAL FA1500162 THRU FA1500281</p>										

Map Compartment (Cont)

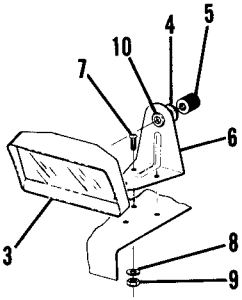


150 SERIAL 15077006 & ON
F150 SERIAL F15001249 & ON
A150 SERIAL A1500610 & ON
FA150 SERIAL FA1500282 & ON

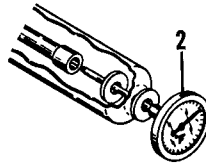
Figure 49A. Map Case Installation

FIGURE AND INDEX NO.	PART NUMBER		DESCRIPTION	UNITS PER ASSY	USABLE ON CODE
			1 2 3 4 5 6 7		
49A-	0413546-1	□	MAP CASE INSTALLATION -----	NP	A
	0413546-13	□	MAP CASE ASSY-REMOVABLE -----	1	B
			MAP CASE ASSY-REMOVABLE -----	1	C
			ATTACHING PARTS		
- 1	S102126-6		SCREW -----	4	
- 2	NAS446-2-3		NUT -----	4	
			-----*		
- 3	0513085-3		CASE-MAP CASE -----	1	
- 4	0413546-9		STIFFENER-MAP CASE -----	1	
- 5	0413546-2	□	DOOR ASSY-MAP CASE -----	1	B
	0413546-14	□	DOOR ASSY-MAP CASE -----	1	C
- 6	0513292-3	□	PROTECTOR ASSY -----	1	C
			ATTACHING PARTS		
- 7	S102126-6		SCREW -----	2	C
			-----*		
- 8	0413546-10		LATCH-MAP CASE -----	1	
<p>NOTE. □THIS PART NUMBER MUST HAVE A SECOND DASH NUMBER ADDED TO DENOTE COLOR. REFER TO HOW TO ORDER INTERIOR PARTS-PAGE VII.</p> <p>A---150 SERIAL 15077006 & ON F150 SERIAL F15001249 & ON A150 SERIAL A1500610 & ON FA150 SERIAL FA1500282 & ON</p> <p>B---150 SERIAL 15077006 THRU 15078505 F150 SERIAL F15001249 THRU F15001338 A150 SERIAL A1500610 THRU A1500684 FA150 SERIAL FA1500282 THRU FA1500311</p> <p>C---150 SERIAL 15078506 & ON F150 SERIAL F15001339 & ON A150 SERIAL A1500685 & ON FA150 SERIAL FA1500312 & ON</p>					

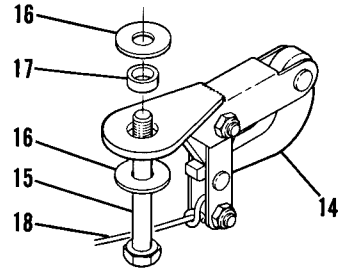
Fuselage Equipment



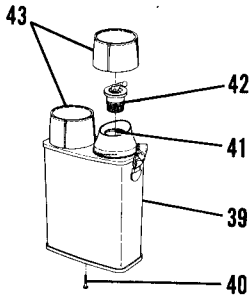
CODE D
MIRROR INSTALLATION



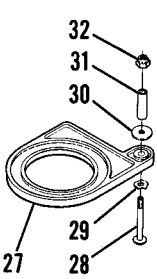
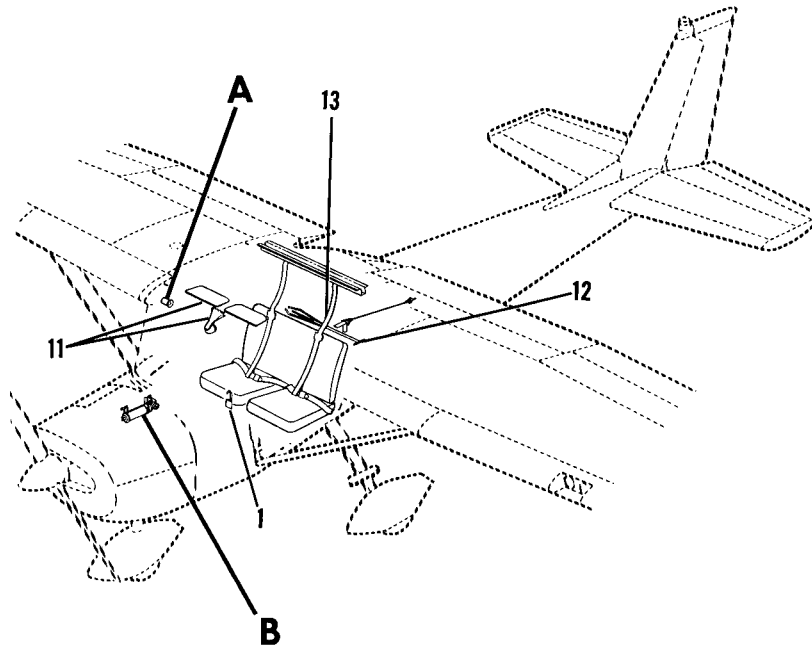
Detail **A**



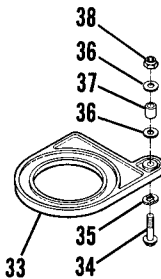
TOW HOOK INSTALLATION



TWIN PACK
ASSEMBLY

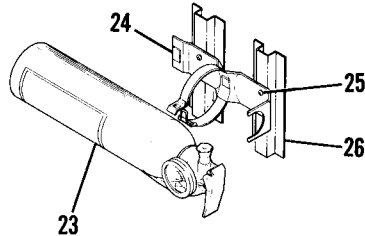


CODE N

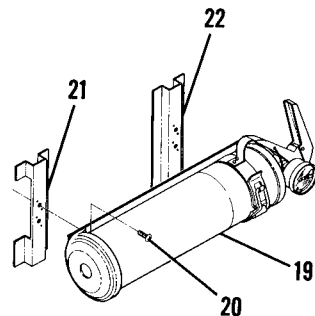


CODE P

CUP HOLDER



CODE J



CODE H

Detail **B**

Figure 50. Fuselage Equipment Installation

FIGURE AND INDEX NO.	PART NUMBER	DESCRIPTION	UNITS PER ASSY	USABLE ON CODE		
					1	2
50 -		FUSELAGE EQUIPMENT INSTALLATION -----	NP			
- 1	0460134-1	LOCK ASSY-CONTROL -----	1	A		
	0460134-3	LOCK ASSY-CONTROL -----	1	B		
	0460137-1	LOCK ASSY-CONTROL -----	1	C		
- 2	C668507-0101	GAGE-OUTSIDE AIR TEMP -----	1			
	C668507-0102	GAGE-OUTSIDE AIR TEMP ALTERNATE -----	1			
	SEE FIG 47A	MIRROR INSTL-REAR VIEW -----	NP	D		
- 3	0500312-2	MIRROR INSTL-REAR VIEW -----	NP	E		
		MIRROR ASSY -----	1	D		
		ATTACHING PARTS -----				
- 4	S1450-4A11-063	WASHER -----	1	D		
- 5	0500313-1	NUT -----	1	D		
		-----*				
- 6	0500310-1	BRACKET ASSY -----	1	D		
		ATTACHING PARTS -----				
- 7	AN507B832R8	SCREW -----	3	D		
- 8	S1450-3A14-050	WASHER -----	4	D		
- 9	MS20365B832C	NUT -----	3	D		
		-----*				
-10	MS35489-6	GROMMET -----	1	D		
-11	SEE FIG 51	COMPASS & SUN VISOR INSTL -----	1	D		
	SEE FIG 51A	COMPASS & SUN VISOR INSTL -----	1	E		
-12	0700315-2	TOW BAR-NOSE WHEEL WEU 0501019-1 -----	1	F		
	0700315-4	TOW BAR-NOSE WHEEL ALTERNATE WEU 0501019-1 -----	1	F		
	0501019-1	TOW BAR-NOSE WHEEL -----	1	G		
-13	SEE FIG 50A&50B	SHOULDER HARNESS & SEAT BELT INSTL -----	1			
		TOW HOOK INSTL -----	NP			
-14	0500228-2	TOW HOOK -----	1			
-15	AN5-23A	BOLT -----	1			
-16	S1450-5-14-063	WASHER -----	2			
-17	0500228-5	BUSHING -----	1			
-18	0500228-3	CORD-TOW HOOK -----	1			
-19	0800111-2	FIRE EXTINGUISHER & BRACKET -----	1	H		
	CP23/4	FIRE EXTINGUISHER & BRACKET GFET ALTERNATE -----	1	H		
		ATTACHING PARTS -----				
-20	AN515-8R8	SCREW -----	4	H		
		-----*				
-21	0400028-7	BRACKET ASSY-FIRE EXTINGUISHER FWD -----	1	H		
-22	0400028-4	BRACKET ASSY-FIRE EXTINGUISHER AFT -----	1	H		
	NAS680A08	NUTPLATE -----	2	H		
-23	C421001-0101	FIRE EXTINGUISHER -----	1	J		
-24	C421001-0102	BRACKET-FIRE EXTINGUISHER -----	1	J		
		ATTACHING PARTS -----				
-25	AN520-10R7	SCREW -----	1	J		
		-----*				
-26	0413510-1	BRACKET ASSY-FIRE EXTINGUISHER -----	2	J		
	NAS680A3	NUTPLATE -----	2	J		
-27	0501022-1	CUP HOLDER -----	2	N		
		ATTACHING PARTS -----				
-28	AN525-10R22	SCREW -----	1	N		
-29	S1357-3	WASHER -----	1	N		
-30	AN960PD10L	WASHER USED ON LH INSTL -----	2	N		
	AN960-10L	WASHER USED ON RH INSTL -----	2	N		
-31	NAS43DD3-30	SPACER USED ON LH INSTL -----	1	N		
	NAS43DD3-32	SPACER USED ON RH INSTL -----	1	N		
-32	MS21044N3	NUT -----	1	N		
		-----*				
-33	0501022-1	CUP HOLDER -----	2	P		
		ATTACHING PARTS -----				
-34	AN525-10R16	SCREW -----	1	P		
-35	S1357-3	WASHER -----	1	P		
-36	AN960PD10L	WASHER -----	2	P		
-37	NAS43DD3-24	SPACER -----	1	P		
-38	MS21044N3	NUT -----	1	P		
		-----*				

CONTINUED ON NEXT PAGE



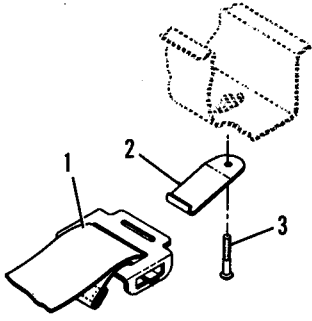
FIGURE AND INDEX NO.	PART NUMBER	DESCRIPTION	UNITS PER ASSY	USABLE ON CODE		
					1	2
50 -39	C733001-0101	TWIN PACK ASSY-BEVERAGE -----	1	K		
-40	S1021A10-16	SCREW -----	2	K		
-41	01	FILLER LFC -----	2	K		
-42	C733001-0103	STOPPER -----	2	K		
-43	1195-0061	CAP LFC -----	2	K		
	10004-98	JACK POINT NOT ILLUSTRATED -----	1	L		
	0441215-1	JACK PAD ASSY NOT ILLUSTRATED -----	1	M		
	SEE FIG 14	CUP-FUEL SAMPLER -----	1			
<p>NOTE. THIS PART NUMBER MUST HAVE A SECOND DASH NUMBER ADDED TO DENOTE COLOR. REFER TO HOW TO ORDER INTERIOR PARTS - PAGE VII.</p> <p>A---150 SERIAL 15071129 THRU 15072628 F150 SERIAL F15000530 THRU F15000738 A150 SERIAL A1500001 THRU A1500276 FA150 SERIAL FA1500001 THRU FA1500166</p> <p>B---150 SERIAL 15072629 THRU 15074384 F150 SERIAL F15000739 THRU 15000943 A150 SERIAL A1500277 THRU A1500389 FA150 SERIAL FA1500167 THRU FA1500211</p> <p>C---150 SERIAL 15074385 & ON F150 SERIAL F15000944 & ON A150 SERIAL A1500390 & ON FA150 SERIAL FA1500212 & ON</p> <p>D---150 SERIAL 15071129 THRU 15073658 F150 SERIAL F15000530 THRU F15000863 A150 SERIAL A1500001 THRU A1500342 FA150 SERIAL FA1500001 THRU FA1500166</p> <p>E---150 SERIAL 15073659 & ON F150 SERIAL F15000864 & ON A150 SERIAL A1500343 & ON FA150 SERIAL FA1500167 & ON</p> <p>F---150 SERIAL 15071129 THRU 15072519 F150 SERIAL F15000530 THRU F15000738 A150 SERIAL A1500001 THRU A1500263 FA150 SERIAL FA1500001 THRU FA1500161</p> <p>G---150 SERIAL 15072520 & ON F150 SERIAL F15000739 & ON A150 SERIAL A1500264 & ON FA150 SERIAL FA1500162 & ON</p> <p>H---150 SERIAL 15071129 THRU 15071649 F150 SERIAL F15000530 THRU F15000658 A150 SERIAL A1500001 THRU A1500135 FA150 SERIAL FA1500001 THRU FA1500081</p> <p>J---150 SERIAL 15071650 & ON F150 SERIAL F15000659 & ON A150 SERIAL A1500136 & ON FA150 SERIAL FA1500082 & ON</p> <p>K---150 SERIAL 15071129 & ON A150 SERIAL A1500001 & ON</p> <p>L---150 SERIAL 15071129 THRU 15072003 F150 SERIAL F15000530 THRU F15000658 A150 SERIAL A1500001 THRU A1500226 FA150 SERIAL FA1500001 THRU FA1500081</p> <p>M---150 SERIAL 15072004 THRU 15073284 F150 SERIAL F15000659 THRU F15000833 A150 SERIAL A1500227 THRU A1500324 FA150 SERIAL FA1500082 THRU FA1500166</p> <p>N---150 SERIAL 15072629 THRU 15077005 F150 SERIAL F15000739 THRU F15001248 A150 SERIAL A1500277 THRU A1500609 FA150 SERIAL FA1500122 THRU FA1500281</p> <p>P---150 SERIAL 15077006 THRU 15078505 F150 SERIAL F15001249 THRU F15001338 A150 SERIAL A1500610 THRU A1500684 FA150 SERIAL FA1500282 THRU FA1500311</p>						



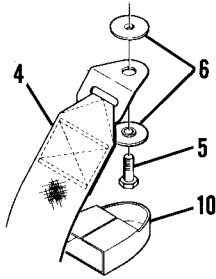
FIGURE AND INDEX NO.	PART NUMBER	DESCRIPTION	UNITS PER ASSY	USABLE ON CODE
50A-		SEAT BELT & SHOULDER HARNESS INSTALLATION -----	NP	AK
- 1	S2029-1	SHOULDER HARNESS ASSY -----	2	A
- 2	0411936-2	HOCK-SHOULDER HARNESS -----	2	A
- 3	AN4-4A	BOLT -----	2	A
- 4	S2275F202 *	SHOULDER HARNESS ASSY FIESTA RED -----	2	B
	S2275H202 *	SHOULDER HARNESS ASSY HOLIDAY BLUE -----	2	B
	S2275G202 *	SHOULDER HARNESS ASSY PICNIC GREEN -----	2	C
	S2275W202 *	SHOULDER HARNESS ASSY CLOVE BROWN -----	2	D
	S2275A202 *	SHOULDER HARNESS ASSY TAHITIAN RED -----	2	E
	S2275L202 *	SHOULDER HARNESS ASSY BOGOTA BLUE -----	2	F
	S2275C202 *	SHOULDER HARNESS ASSY CYPRUS GREEN -----	2	F
	S2275R202 *	SHOULDER HARNESS ASSY DRAGON RED -----	2	G
	S2275P202 *	SHOULDER HARNESS ASSY ROYAL BLUE -----	2	G
	S2275D202 *	SHOULDER HARNESS ASSY TAN -----	2	G
	S2275S202 *	SHOULDER HARNESS ASSY VELDT GOLD -----	2	G
	S2275W202 *	SHOULDER HARNESS ASSY JAVA GOLD -----	2	H
	S2275U202 *	SHOULDER HARNESS ASSY PEACOCK BLUE -----	2	H
	S2275Z202 *	SHOULDER HARNESS ASSY POPPEY RED -----	2	H
	S2275AA202 *	SHOULDER HARNESS ASSY GOLDEN OLIVE -----	2	H
	S2275AA202 *	SHOULDER HARNESS ASSY OLIVE GREEN -----	2	J
	S2275BB202 *	SHOULDER HARNESS ASSY COPEN BLUE -----	2	J
	S2275CC202 *	SHOULDER HARNESS ASSY CHESTNUT BROWN -----	2	J
	S2275DD202 *	SHOULDER HARNESS ASSY OLD GOLD -----	2	J
	S2275T202 *	SHOULDER HARNESS ASSY SUNSET RED -----	2	J
		ATTACHING PARTS		
- 5	NAS464P4A8	BOLT -----	1	L
- 6	S2074-1	SPACER -----	2	P
- 7	S2074-1	SPACER -----	3	M
- 8	NAS43HT4-22	SPACER -----	1	N
- 9	AN960-616	WASHER -----	2	N
-10	S2076-1	COVER -----	1	P
-11	0415010-1	COVER -----	1	Q
		---*---		

CONTINUED ON NEXT PAGE

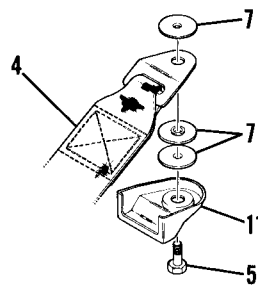
Fuselage Equipment (Cont)



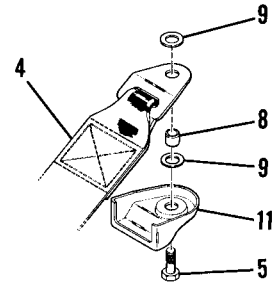
CODE A



CODE P



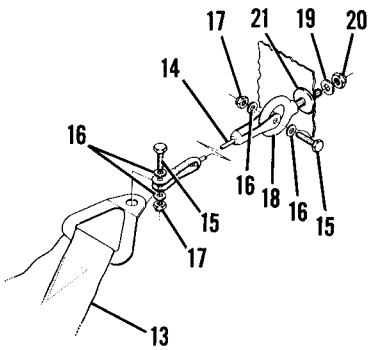
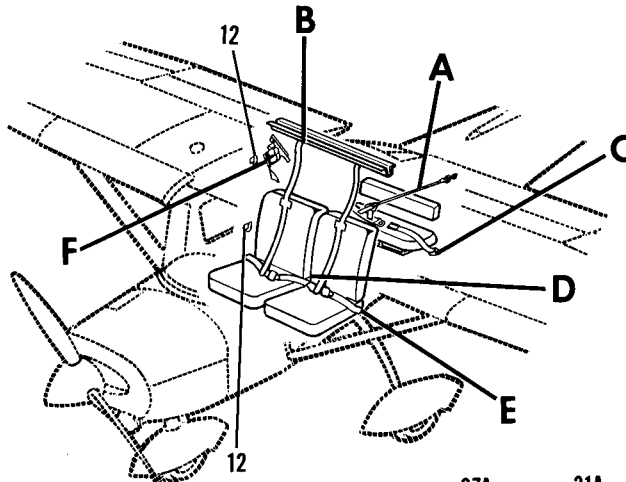
CODE M



CODE N

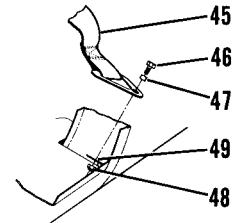
150 & F150

Detail B

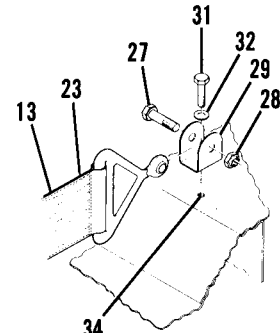


A150 & FA150

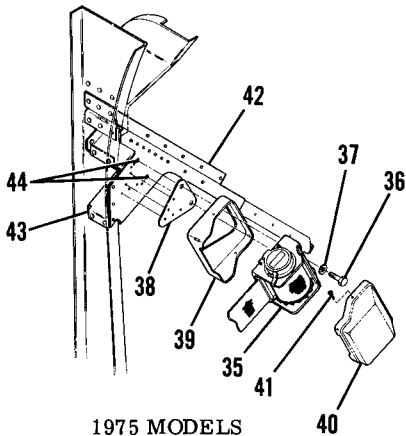
Detail A



Detail C

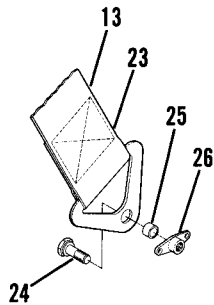


1970 MODELS
A150 & FA150

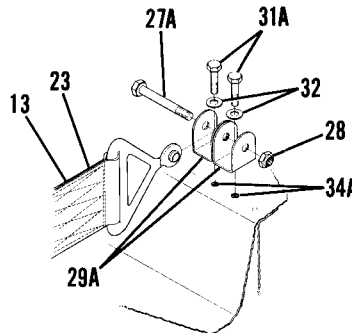


1975 MODELS
150 & F150

Detail F

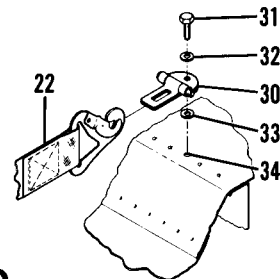


Detail E



1971 THRU 1975 MODELS
150, F150, A150 & FA150

Detail D



1970 MODELS
150 & F150

150 SERIAL 15071129 THRU 15077005
F150 SERIAL F15000530 THRU F15001248
A150 SERIAL A1500001 THRU A1500609
FA150 SERIAL FA1500001 THRU FA1500281

Figure 50A. Seat Belt & Shoulder Harness Installation



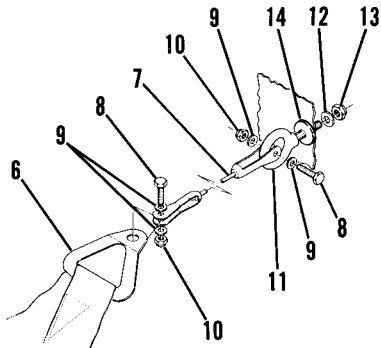
FIGURE AND INDEX NO.	PART NUMBER	DESCRIPTION	UNITS PER ASSY	USABLE ON CODE		
					1	2
50A-12	S2081-1	CLIP SHOULDER HARNESS STORAGE ATTACHING PARTS	4	R		
	S2081-2	COVER	1	R		
	0414032-1	DOUBLER	1	R		
	S1023A6-8C	SCREW	1	R		
-13	S1996-1	SHOULDER HARNESS & SEAT BELT ASSY AEROBAT	2	S		
	S1996-7	SHOULDER HARNESS & SEAT BELT ASSY AEROBAT	2	T		
-14	0414024-1	CABLE ASSY	2	U		
	0414024-4	CABLE ASSY	2	V		
-15	AN3-6A	BOLT	4	U		
	AN5-7A	BOLT	4	V		
-16	AN960-10	WASHER	8	U		
	AN960-516L	WASHER	8	V		
-17	MS21044N3	NUT	4	U		
	MS21042L5	NUT	4	V		
-18	0511165	EYEBOLT	2	W		
-19	AN960-416	WASHER	2	W		
-20	MS21042L4	NUT	2	W		
-21	AN970-4	WASHER	2	X		
-22	S1622B6	BELT ASSY-SEAT BLACK 150 ONLY	2	Y		
	S1746B15	BELT ASSY-SEAT BLACK F150 ONLY	2	Z		
-23	S2275F104	BELT ASSY-SEAT FIESTA RED	2	B		
*	S2275H104	BELT ASSY-SEAT HOLIDAY BLUE	2	B		
*	S2275G104	BELT ASSY-SEAT PICNIC GREEN	2	C		
*	S2275W104	BELT ASSY-SEAT CLOVE BROWN	2	D		
*	S2275A104	BELT ASSY-SEAT TAHITIAN RED	2	E		
*	S2275L104	BELT ASSY-SEAT BOGOTA BLUE	2	F		
*	S2275C104	BELT ASSY-SEAT CYPRUS BLUE	2	F		
*	S2275R104	BELT ASSY-SEAT DRAGON RED	2	G		
*	S2275P104	BELT ASSY-SEAT ROYAL BLUE	2	G		
*	S2275D104	BELT ASSY-SEAT TAN	2	G		
*	S2275S104	BELT ASSY-SEAT VELDT GOLD	2	G		
*	S2275W104	BELT ASSY-SEAT JAVA GOLD	2	H		
*	S2275U104	BELT ASSY-SEAT PEACOCK BLUE	2	H		
*	S2275Z104	BELT ASSY-SEAT POPPY RED	2	H		
*	S2275AA104	BELT ASSY-SEAT GOLDEN OLIVE	2	H		
*	S2275AA104	BELT ASSY-SEAT OLIVE GREEN	2	J		
*	S2275BB104	BELT ASSY-SEAT COPEN BLUE	2	J		
*	S2275CC104	BELT ASSY-SEAT CHESTNUT BROWN	2	J		
*	S2275DD104	BELT ASSY-SEAT OLD GOLD	2	J		
*	S2275T104	BELT ASSY-SEAT SUNSET RED	2	J		
-24	AN525-416R9	BOLT-SEAT BELT	2	AF		
	AN4-5A	BOLT-SEAT BELT	2	AG		
	NAS464-4-5	BOLT-SEAT BELT	2	AJ		
-25	NAS43HT4-12	SPACER-SEAT BELT	2	AA		
	0413496-2	BUSHING-SEAT BELT	2	W		
-26	NAS1068A4	NUTPLATE-SEAT BELT	2	AB		
	NAS696A4	NUTPLATE-SEAT BELT	2	AH		
	NAS680A4	NUTPLATE-SEAT BELT	2	AJ		
-27	AN5-11A	BOLT-SEAT BELT	1	U		
-27A	AN5-21A	BOLT-SEAT BELT	1	AC		
-28	MS21042L5	NUT-SEAT BELT	1	AD		
-29	0413496-1	BRACKET-SEAT BELT ATTACH	1	U		
-29A	0413496-1	BRACKET-SEAT BELT ATTACH	2	AH		
	0414045-1	BRACKET ASSY-SEAT BELT ATTACH	1	AJ		
-30	0711083-1	LATCH ASSY-SEAT BELT ATTACHING PARTS	1	A		
-31	AN4-10A	BOLT	1	AB		
-31A	AN4-7A	BOLT	1	AC		
-32	AN960-416L	WASHER	1			
-33	AN960-4	WASHER	1	AB		
-34	NAS698A4	NUTPLATE	1	AB		
-34A	NAS696A4	NUTPLATE	1	AC		

CONTINUED ON NEXT PAGE

FIGURE AND INDEX NO.	PART NUMBER	DESCRIPTION							UNITS PER ASSY	USABLE ON CODE
		1	2	3	4	5	6	7		
50A-		INERTIA REEL SEAT BELT & SHOULDER HARNESS INSTL -----							NP	K
-35	S2199-6	BELT ASSY-INERTIA REEL RH SEAT BLACK ONLY -----							1	
	S2199-5	BELT ASSY-INERTIA REEL LH SEAT BLACK ONLY -----							1	
		ATTACHING PARTS -----								
-36	NAS464P4A6	BOLT -----							2	
-37	AN960-416L	WASHER -----							2	
-38	0415015-1	SPACER -----							1	
-39	0415014-1	COVER-BOTTOM -----							1	
		*-----								
-40	0415014-2	COVER-TOP -----							1	
		ATTACHING PARTS -----								
-41	S102124-6	SCREW -----							2	
		*-----								
-42	0412018-2	REINFORCEMENT-RH -----							1	
	0412018-1	REINFORCEMENT-LH -----							1	
-43	0412017-2	BRACKET ASSY-RH -----							1	
	0412017-1	BRACKET ASSY-LH -----							1	
-44	NAS696A4	NUTPLATE -----							2	
-45	S1618B3	BELT ASSY-AUXILIARY SEAT BLACK -----							1	Y
	S1746B2	BELT ASSY-AUXILIARY SEAT BLACK -----							1	AF
	S1746F2	BELT ASSY-AUXILIARY SEAT FIESTA RED -----							1	B
	S1746H2	BELT ASSY-AUXILIARY SEAT HOLIDAY BLUE -----							1	B
	S1746G2	BELT ASSY-AUXILIARY SEAT PICNIC GREEN -----							1	C
	S1746W2	BELT ASSY-AUXILIARY SEAT CLOVE BROWN -----							1	D
	S1746A2	BELT ASSY-AUXILIARY SEAT TAHITIAN RED -----							1	E
	S1746L2	BELT ASSY-AUXILIARY SEAT BOGOTA BLUE -----							1	F
	S1746C2	BELT ASSY-AUXILIARY SEAT CYPRUS GREEN -----							1	F
	S1746R2	BELT ASSY-AUXILIARY SEAT DRAGON RED -----							1	G
	S1746P2	BELT ASSY-AUXILIARY SEAT ROYAL BLUE -----							1	G
	S1746D2	BELT ASSY-AUXILIARY SEAT TAN -----							1	G
	S1746S2	BELT ASSY-AUXILIARY SEAT VELDT GOLD -----							1	G
	S1746W2	BELT ASSY-AUXILIARY SEAT JAVA GOLD -----							1	H
	S1746U2	BELT ASSY-AUXILIARY SEAT PEACOCK BLUE -----							1	H
	S1746Z2	BELT ASSY-AUXILIARY SEAT POPPY RED -----							1	H
	S1746AA2	BELT ASSY-AUXILIARY SEAT GOLDEN OLIVE -----							1	H
	S1746AA2	BELT ASSY-AUXILIARY SEAT OLIVE GREEN -----							1	J
	S1746BB2	BELT ASSY-AUXILIARY SEAT COPEN BLUE -----							1	J
	S1746CC2	BELT ASSY-AUXILIARY SEAT CHESTNUT BROWN -----							1	J
	S1746DD2	BELT ASSY-AUXILIARY SEAT OLD GOLD -----							1	J
	S1746T2	BELT ASSY-AUXILIARY SEAT SUNSET RED -----							1	J
		ATTACHING PARTS -----								
-46	AN4-6A	BCLT -----							2	
-47	NAS43HT4-20	SPACER -----							2	
-48	MS21042L4	NUT -----							2	
		*-----								
-49	SEE FIG 29	LUG-SEAT BELT ATTACH -----							2	
<p>NOTE. *WHEN INITIALLY ORDERING THIS PART BOTH SEAT BELT & SHOULDER HARNESS MUST BE ORDERED.</p> <p>A---150 SERIAL 15071129 THRU 15072003 F150 SERIAL F15000530 THRU F15000658 B---150 SERIAL 15072004 THRU 15072628 C---150 SERIAL 15072004 THRU 15072628 F150 SERIAL F15000659 THRU F15000738 D---150 SERIAL 15072004 THRU 15073658 F150 SERIAL F15000659 THRU F15000738 E---150 SERIAL 15072629 THRU 15073658 F---150 SERIAL 15072629 THRU 15073658 F150 SERIAL F15000739 THRU F15000843 G---150 SERIAL 15073659 THRU 15073966 F150 SERIAL F15000864 THRU F15000943</p>										
CONTINUED ON NEXT PAGE										

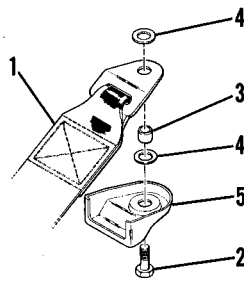
FIGURE AND INDEX NO.	PART NUMBER	DESCRIPTION	UNITS PER ASSY	USABLE ON CODE
50A-		<p style="text-align: center;">1 2 3 4 5 6 7</p> <p>H---150 SERIAL 15073967 THRU 15074850 F150 SERIAL F15000944 THRU F15001013</p> <p>J---150 SERIAL 15074851 THRU 15077005 F150 SERIAL F15001014 THRU F15001248</p> <p>K---150 SERIAL 15075782 THRU 15077005 F150 SERIAL F15001144 THRU F15001248</p> <p>L---150 SERIAL 15072004 THRU 15077005 F150 SERIAL F15000659 THRU F15001248</p> <p>M---150 SERIAL 15075480 THRU 15075747 F150 SERIAL F15001134 THRU F15001143</p> <p>N---150 SERIAL 15075748 THRU 15077005 F150 SERIAL F15001144 THRU F15001248</p> <p>P---150 SERIAL 15072004 THRU 15075479 F150 SERIAL F15000659 THRU F15001133</p> <p>Q---150 SERIAL 15075480 THRU 15077005 F150 SERIAL F15001144 THRU F15001248</p> <p>R---150 SERIAL 15072004 THRU 15074850 F150 SERIAL F15000659 THRU F15001013</p> <p>S---A150 SERIAL A1500001 THRU A1500342 FA150 SERIAL FA1500001 THRU FA1500166</p> <p>T---A150 SERIAL A1500343 THRU A1500609 FA150 SERIAL FA1500167 THRU FA1500281</p> <p>U---A150 SERIAL A1500001 THRU A1500226 FA150 SERIAL FA1500001 THRU FA1500081</p> <p>V---A150 SERIAL A1500227 THRU A1500609 FA150 SERIAL FA1500082 THRU FA1500281</p> <p>W---A150 SERIAL A1500001 THRU A1500609 FA150 SERIAL FA1500001 THRU FA1500281</p> <p>X---A150 SERIAL A1500430 THRU A1500609 FA150 SERIAL FA1500212 THRU FA1500281</p> <p>Y---150 SERIAL 15071129 THRU 15072003</p> <p>Z---F150 SERIAL F15000530 THRU F15000658</p> <p>AA---150 SERIAL 15071129 THRU 15077005 F150 SERIAL F15000530 THRU F15001248</p> <p>AB---150 SERIAL 15071129 THRU 15072003 F150 SERIAL F15000530 THRU F15000658 A150 SERIAL A1500001 THRU A1500226 FA150 SERIAL FA1500001 THRU FA1500081</p> <p>AC---150 SERIAL 15072004 THRU 15077005 F150 SERIAL F15000659 THRU F15001248 A150 SERIAL A1500227 THRU A1500609 FA150 SERIAL FA1500082 THRU FA1500281</p> <p>AD---150 SERIAL 15072004 THRU 15077005 F150 SERIAL F15000659 THRU F15001248 A150 SERIAL A1500001 THRU A1500609 FA150 SERIAL FA1500001 THRU FA1500281</p> <p>AE---150 SERIAL 15075782 THRU 15077005 F150 SERIAL F15000530 THRU F15000658, F15001144 THRU F15001248 A150 SERIAL A1500001 THRU A1500609 FA150 SERIAL FA1500001 THRU FA1500281</p> <p>AF---150 SERIAL 15071129 THRU 15075781 F150 SERIAL F15000530 THRU F15001143 A150 SERIAL A1500001 THRU A1500276 F150 SERIAL FA1500001 THRU FA1500121</p> <p>AG---A150 SERIAL A1500277 THRU A1500523 FA150 SERIAL FA1500122 THRU FA1500261</p> <p>AH---150 SERIAL 15072004 THRU 15075781 F150 SERIAL F15000659 THRU F15001143 A150 SERIAL A1500227 THRU A1500523 FA150 SERIAL FA1500082 THRU FA1500261</p> <p>AJ---150 SERIAL 15075782 THRU 15077005 F150 SERIAL F15001144 THRU F15001248 A150 SERIAL A1500524 THRU A1500609 FA150 SERIAL FA1500262 THRU FA1500281</p> <p>AK---150 SERIAL 15071129 THRU 15077005 F150 SERIAL F15000530 THRU F15001248 A150 SERIAL A1500001 THRU A1500609 FA150 SERIAL FA1500001 THRU FA1500281</p>		

Fuselage Equipment (Cont)



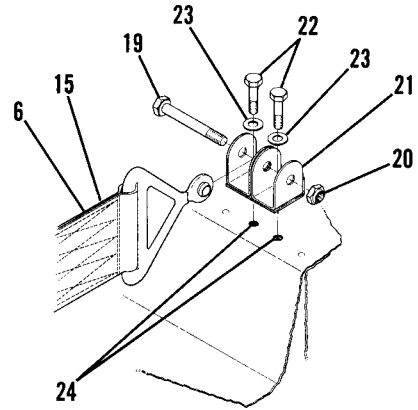
A150 & FA150

Detail **A**

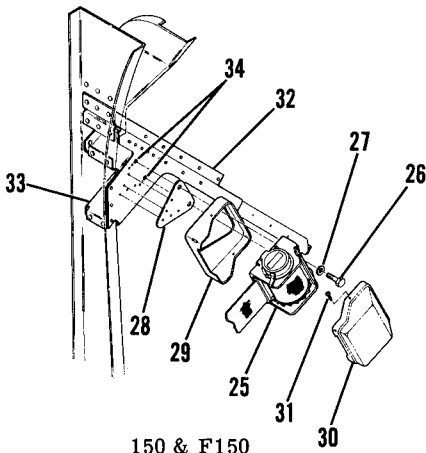
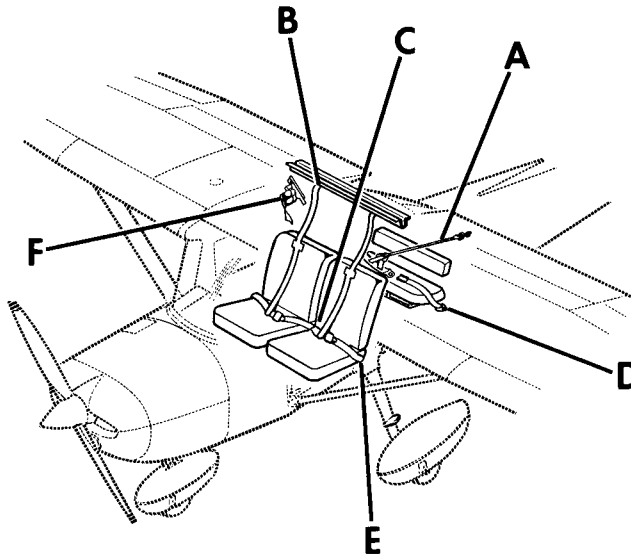


150 & F150

Detail **B**

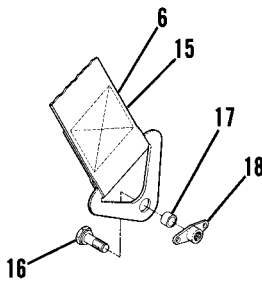


Detail **C**

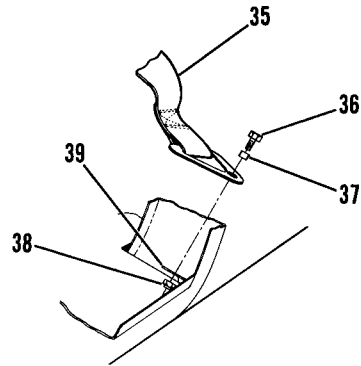


150 & F150

Detail **F**



Detail **E**



Detail **D**

**150 SERIAL 15077006 & ON
 F150 SERIAL F15001249 & ON
 A150 SERIAL A1500610 & ON
 FA150 SERIAL FA1500282 & ON**

Figure 50B. Seat Belt & Shoulder Harness Installation

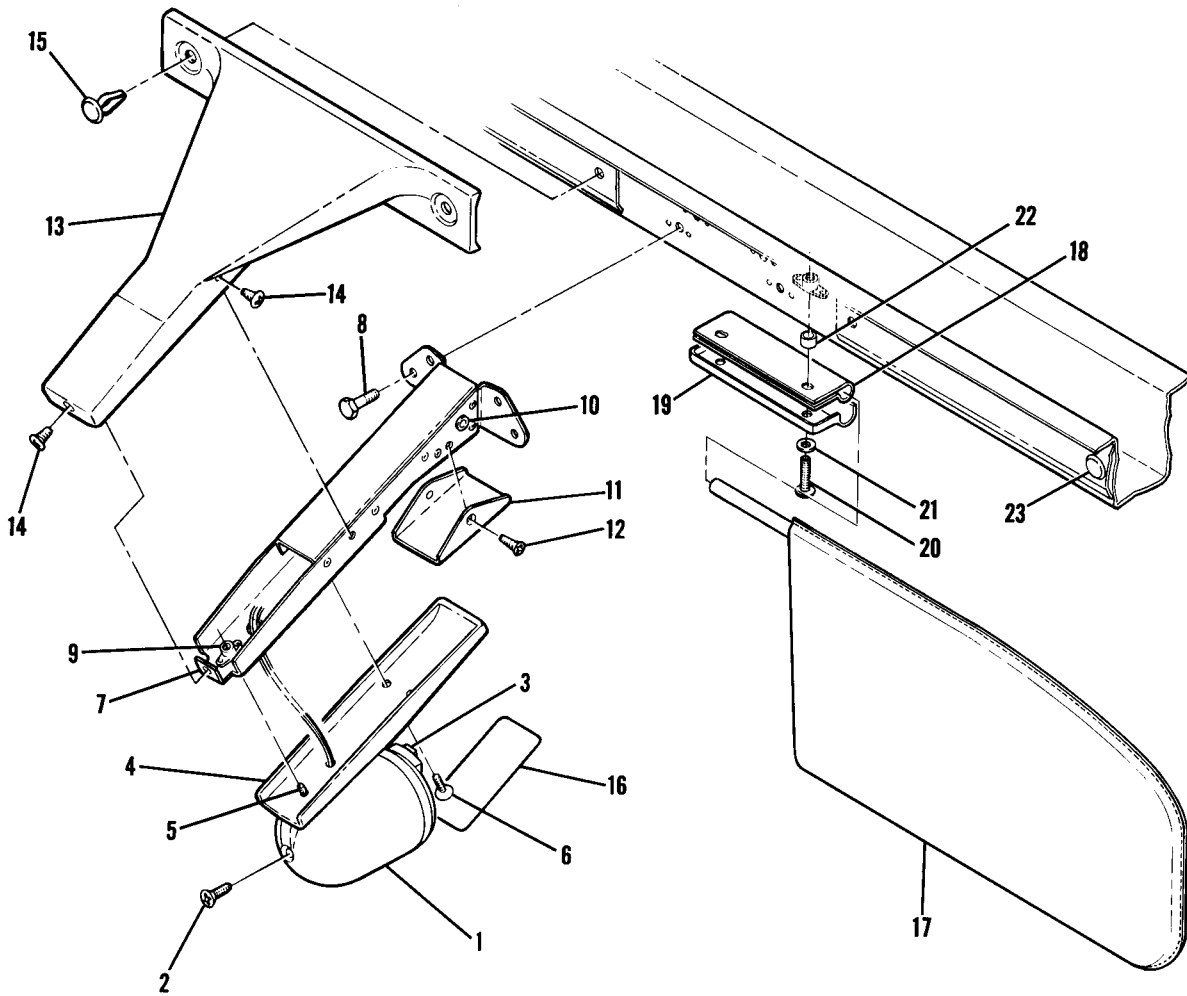
FIGURE AND INDEX NO.	PART NUMBER		DESCRIPTION	UNITS PER ASSY	USABLE ON CODE
			1 2 3 4 5 6 7		
50B-			SEAT BELT & SHOULDER HARNESS INSTALLATION -----	NP	A
- 1	S2275GG202	*	SHOULDER HARNESS ASSY ORO GREEN -----	2	B
	S2275FF202	*	SHOULDER HARNESS ASSY SAPPHIRE BLUE -----	2	B
	S2275CC202	*	SHOULDER HARNESS ASSY CHESTNUT BROWN -----	2	B
	S2275HH202	*	SHOULDER HARNESS ASSY TOPAZ GOLD -----	2	B
	S2275EE202	*	SHOULDER HARNESS ASSY RUBY RED -----	2	B
			ATTACHING PARTS		
- 2	NAS464P4A8		BOLT -----	1	B
- 3	NAS43HT4-22		SPACER -----	1	B
- 4	AN960-616		WASHER -----	2	B
- 5	0415010-1		COVER -----	1	B
			-----*		
- 6	S1996-7		SHOULDER HARNESS & SEAT BELT ASSY AEROBAT -----	2	C
- 7	0414024-4		CABLE ASSY -----	2	C
- 8	AN5-7A		BOLT -----	4	C
- 9	AN960-516L		WASHER -----	8	C
-10	MS21042L5		NUT -----	4	C
-11	0511165		EYEBOLT -----	2	C
-12	AN960-416		WASHER -----	2	C
-13	MS21042L4		NUT -----	2	C
-14	AN970-4		WASHER -----	2	C
-15	S2275GG104	*	BELT ASSY-SEAT ORO GREEN -----	2	B
	S2275FF104	*	BELT ASSY-SEAT SAPPHIRE BLUE -----	2	B
	S2275CC104	*	BELT ASSY-SEAT CHESTNUT BROWN -----	2	B
	S2275HH104	*	BELT ASSY-SEAT TOPAZ GOLD -----	2	B
	S2275EE104	*	BELT ASSY-SEAT RUBY RED -----	2	B
-16	NAS464-4-5		BOLT-SEAT BELT -----	2	
-17	NAS43HT4-12		SPACER-SEAT BELT -----	2	B
	0413496-2		BUSHING-SEAT BELT -----	2	C
-18	NAS680A4		NUTPLATE-SEAT BELT -----	2	B
-19	AN5-21A		BOLT-SEAT BELT -----	1	
-20	MS21042L5		NUT-SEAT BELT -----	1	
-21	0414045-1		BRACKET ASSY-SEAT BELT ATTACH -----	1	C
			ATTACHING PARTS		
-22	AN4-7A		BOLT -----	2	
-23	AN960-416L		WASHER -----	2	
-24	NAS696A4		NUTPLATE -----	2	
			-----*		
-25	S2199-6		INERTIA REEL SEAT BELT & SHOULDER HARNESS INSTALLATION -----	NP	B
	S2199-5		BELT ASSY-INERTIA REEL RH SEAT BLACK ONLY -----	1	
			BELT ASSY-INERTIA REEL LH SEAT BLACK ONLY -----	1	
			ATTACHING PARTS		
-26	NAS464P4A6		BOLT -----	2	
-27	AN960-416L		WASHER -----	2	
-28	0415015-1		SPACER -----	1	
-29	0415014-1		COVER-BOTTOM -----	1	
			-----*		
-30	0415014-2		COVER-TOP -----	1	
			ATTACHING PARTS		
-31	S1021Z4-6		SCREW -----	2	
			-----*		
-32	0412018-2		REINFORCEMENT-RH -----	1	
	0412018-1		REINFORCEMENT-LH -----	1	
-33	0412017-2		BRACKET ASSY-RH -----	1	
	0412017-1		BRACKET ASSY-LH -----	1	
-34	NAS696A4		NUTPLATE -----	2	
-35	S1746B2		BELT ASSY-AUXILIARY SEAT BLACK -----	1	B
	S1746GG2		BELT ASSY-AUXILIARY SEAT ORO GREEN -----	1	B
	S1746FF2		BELT ASSY-AUXILIARY SEAT SAPPHIRE BLUE -----	1	B
	S1746CC2		BELT ASSY-AUXILIARY SEAT CHESTNUT BROWN -----	1	B
	S1746HH2		BELT ASSY-AUXILIARY SEAT TOPAZ GOLD -----	1	B
	S1746EE2		BELT ASSY-AUXILIARY SEAT RUBY RED -----	1	B
			ATTACHING PARTS		
-36	AN4-6A		BOLT -----	2	
-37	NAS43HT4-20		SPACER -----	2	
-38	MS21042L4		NUT -----	2	
			-----*		

CONTINUED ON NEXT PAGE

FIGURE AND INDEX NO.	PART NUMBER	DESCRIPTION	UNITS PER ASSY	USABLE ON CODE
50B-39	SEE FIG. 29	<p>1 2 3 4 5 6 7</p> <p>LUG-SEAT BELT ATTACH -----</p> <p>NOTE. *WHEN INITIALLY ORDERING THIS PART FOR AIRCRAFT PRIOR TO SERIALS 15077380 & F15001339 BOTH SEAT BELT & SHOULDER HARNESS MUST BE ORDERED.</p> <p>A---150 SERIAL 15077006 & ON F150 SERIAL F15001249 & ON A150 SERIAL A1500610 & ON FA150 SERIAL FA1500282 & ON</p> <p>B---150 SERIAL 15077006 & ON F150 SERIAL F15001249 & ON</p> <p>C---A150 SERIAL A1500610 & ON FA150 SERIAL FA1500282 & ON</p>	2	

This page intentionally left blank.

Fuselage Equipment (Cont)

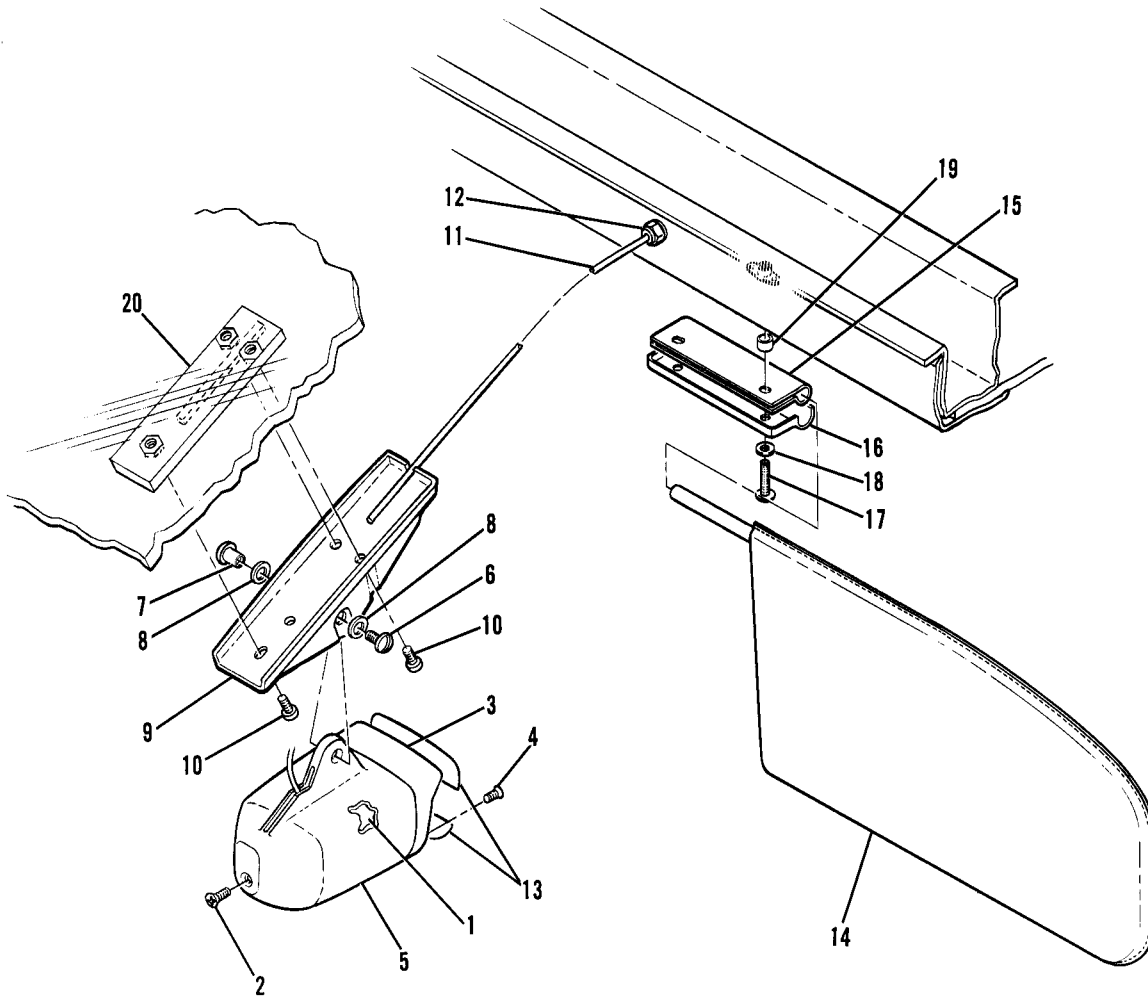


150 SERIAL 15071129 THRU 15073658
F150 SERIAL F15000530 THRU F15000863
A150 SERIAL A1500001 THRU A1500342
FA150 SERIAL FA1500001 THRU FA1500166

Figure 51. Compass & Sun Visor Installation

FIGURE AND INDEX NO.	PART NUMBER	DESCRIPTION							UNITS PER ASSY	USABLE ON CODE
		1	2	3	4	5	6	7		
51 -		COMPASS & SUN VISOR INSTALLATION -----							NP	C
- 1	C660501-0101	COMPASS -----							1	
- 2	S1571-8-10	ATTACHING PARTS -----							1	
- 3	MS25237-330	SCREW -----							1	
- 4	0713813-1	*-----								
		BULB-COMPASS -----							1	
- 5	AN515B6R12	MOUNT-COMPASS -----							1	
- 6	AN960D8	ATTACHING PARTS -----							1	
- 6	AN507B832R6	SCREW -----							1	
		WASHER -----							1	
		SCREW -----							2	
		*-----								
- 7	0413474-1	SUPPORT ASSEMBLY-COMPASS MOUNT -----							1	
- 8	AN3-3A	ATTACHING PARTS -----							4	
		BOLT -----								
		*-----								
- 9	NAS697A08	NUTPLATE -----							3	
-10	S1291-2	GROMMET -----							1	
-11	0413478-1	□	COVER-COMPASS MOUNT SUPPORT LOWER -----						1	
			ATTACHING PARTS -----							
-12	S1022Z6-6		SCREW -----						2	
			*-----							
-13	0413475-1	□	COVER-COMPASS MOUNT SUPPORT -----						1	A
	0413475-2	□	COVER-COMPASS MOUNT SUPPORT -----						1	B
			ATTACHING PARTS -----							
-14	S1021Z6-6		SCREW -----						3	
-15	S2090-1		PLUG BUTTON UC -----						2	A
	AN515B6R10		SCREW -----						4	B
	0413475		SPACER -----						2	B
			*-----							
-16	0713819-1		CARD-COMPASS CORRECTION -----						1	
-17	1414087-13	#	SUN VISOR ASSEMBLY -----						2	
-18	1414087-15		CLAMP -----						1	
-19	0413504-1		COVER-SUN VISOR SUPPORT -----						1	
			ATTACHING PARTS -----							
-20	AN525-10R14		SCREW -----						2	
-21	AN960-10L		WASHER -----						2	
-22	NAS43HT3-20		SPACER -----						2	
			*-----							
-23	S1898-4		PLUG BUTTON UC -----						2	
<p>NOTE. #THIS PART NUMBER MUST HAVE A SECOND DASH NUMBER ADDED TO DENOTE COLOR. REFER TO HOW TO ORDER UPHOLSTERED PARTS-PAGE VI.</p> <p>NOTE. □THIS PART NUMBER MUST HAVE A SECOND DASH NUMBER ADDED TO DENOTE COLOR. REFER TO HOW TO ORDER INTERIOR PARTS-PAGE VII.</p> <p>A---150 SERIAL 15071129 THRU 15072628 F150 SERIAL F15000530 THRU F15000738 A150 SERIAL A1500001 THRU A1500276 FA150 SERIAL FA1500001 THRU FA1500121</p> <p>B---150 SERIAL 15072629 THRU 15073658 F150 SERIAL F15000739 THRU F15000863 A150 SERIAL A1500277 THRU A1500342 FA150 SERIAL FA1500122 THRU FA1500166</p> <p>C---150 SERIAL 15071129 THRU 15073658 F150 SERIAL F15000530 THRU F15000863 A150 SERIAL A1500001 THRU A1500342 FA150 SERIAL FA1500001 THRU FA1500166</p>										

Fuselage Equipment (Cont)



150 SERIAL 15073659 & ON
F150 SERIAL F15000864 & ON
A150 SERIAL A1500343 & ON
FA150 SERIAL FA1500167 & ON

Figure 51A. Compass & Sun Visor Installation

FIGURE AND INDEX NO.	PART NUMBER	DESCRIPTION	UNITS PER ASSY	USABLE ON CODE
		1 2 3 4 5 6 7		
51A-		COMPASS & SUN VISOR INSTALLATION -----	NP	A
- 1	C660501-0101	COMPASS -----	1	
		ATTACHING PARTS -----		
- 2	AN5078832R14	SCREW -----	1	
		-----*		
	MS25237-330	BULB-COMPASS -----	1	
- 3	0413517-15	BEZEL-COMPASS -----	1	
		ATTACHING PARTS -----		
- 4	AN51084R8	SCREW -----	2	
		-----*		
- 5	0413517-5	CUP-COMPASS -----	1	
		ATTACHING PARTS -----		
- 6	D366	SCREW -----	1	
- 7	D4023X.375	POST-SCREW -----	1	
- 8	AN960D10	WASHER -----	2	
		-----*		
- 9	0413517-3	BASE-COMPASS -----	1	
		ATTACHING PARTS -----		
-10	AN50088-6	SCREW -----	3	
		-----*		
-11	0413441-1	TUBE ASSY -----	1	
		ATTACHING PARTS -----		
-12	S1216-3	NUT -----	1	
	AN936A416	WASHER -----	1	
	NAS620A416L	WASHER -----	1	
		-----*		
-13	0400213-6	PLACARD SET-COMPASS CORRECTION -----	1	
-14	1414087-13	SUN VISOR ASSEMBLY -----	1	
-15	1414087-15	CLAMP -----	1	
-16	0413504-1	COVER-SUN VISOR -----	1	
		ATTACHING PARTS -----		
-17	AN525-10R14	SCREW -----	2	
-18	AN960-10L	WASHER -----	2	
-19	NAS43HT3-20	SPACER -----	2	
		-----*		
-20	0413437-1	BASE PLATE ASSY-COMPASS MOUNT -----	1	
<p>NOTE. #THIS PART NUMBER MUST HAVE A SECOND DASH NUMBER ADDED TO DENOTE COLOR. REFER TO HOW TO ORDER UPHOLSTERED PARTS-PAGE VI.</p> <p>A---150 SERIAL 15073659 & ON F150 SERIAL F15000864 & ON A150 SERIAL A1500343 & ON FA150 SERIAL FA1500167 & ON</p>				

Fuselage Equipment (Cont)

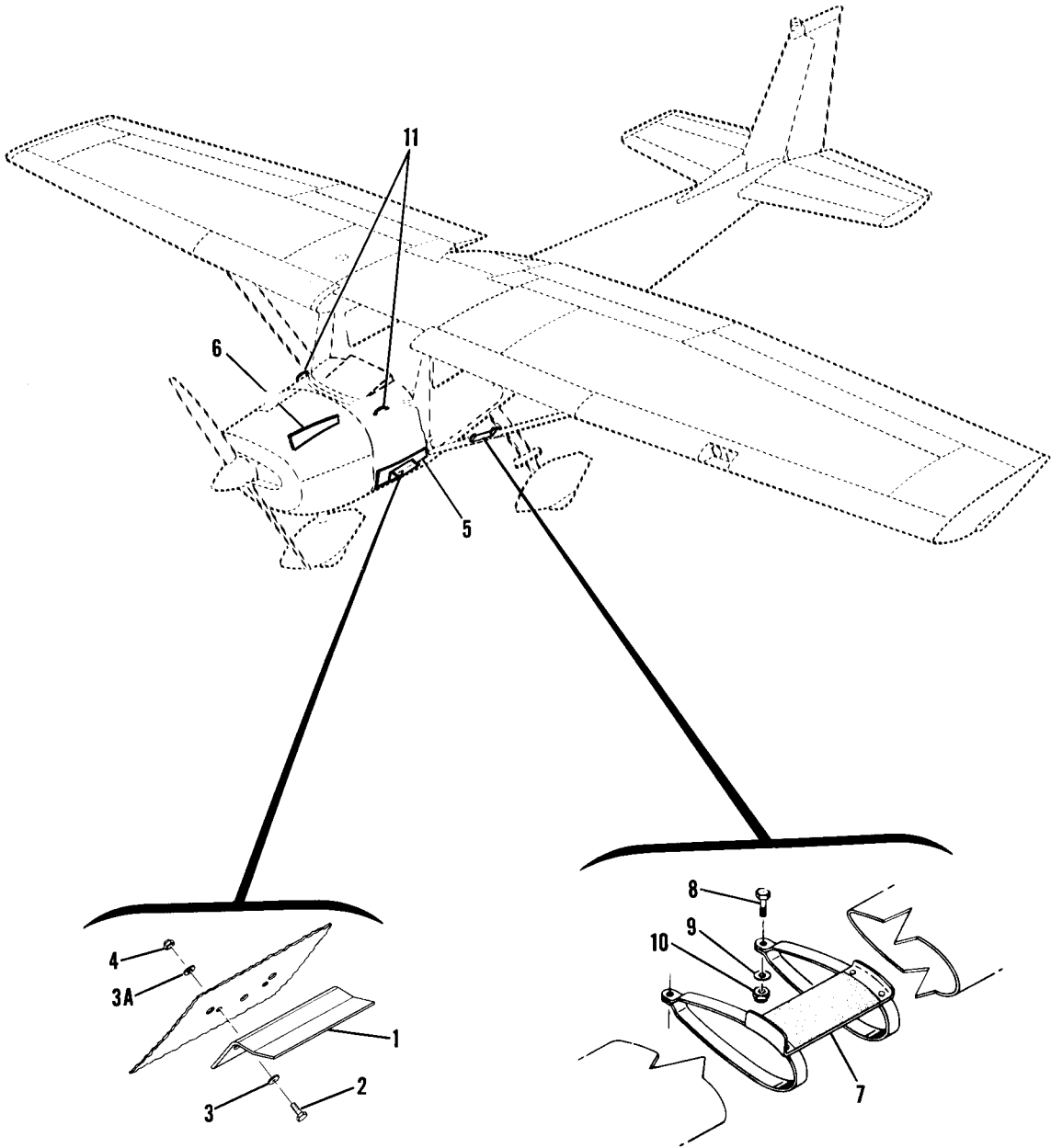
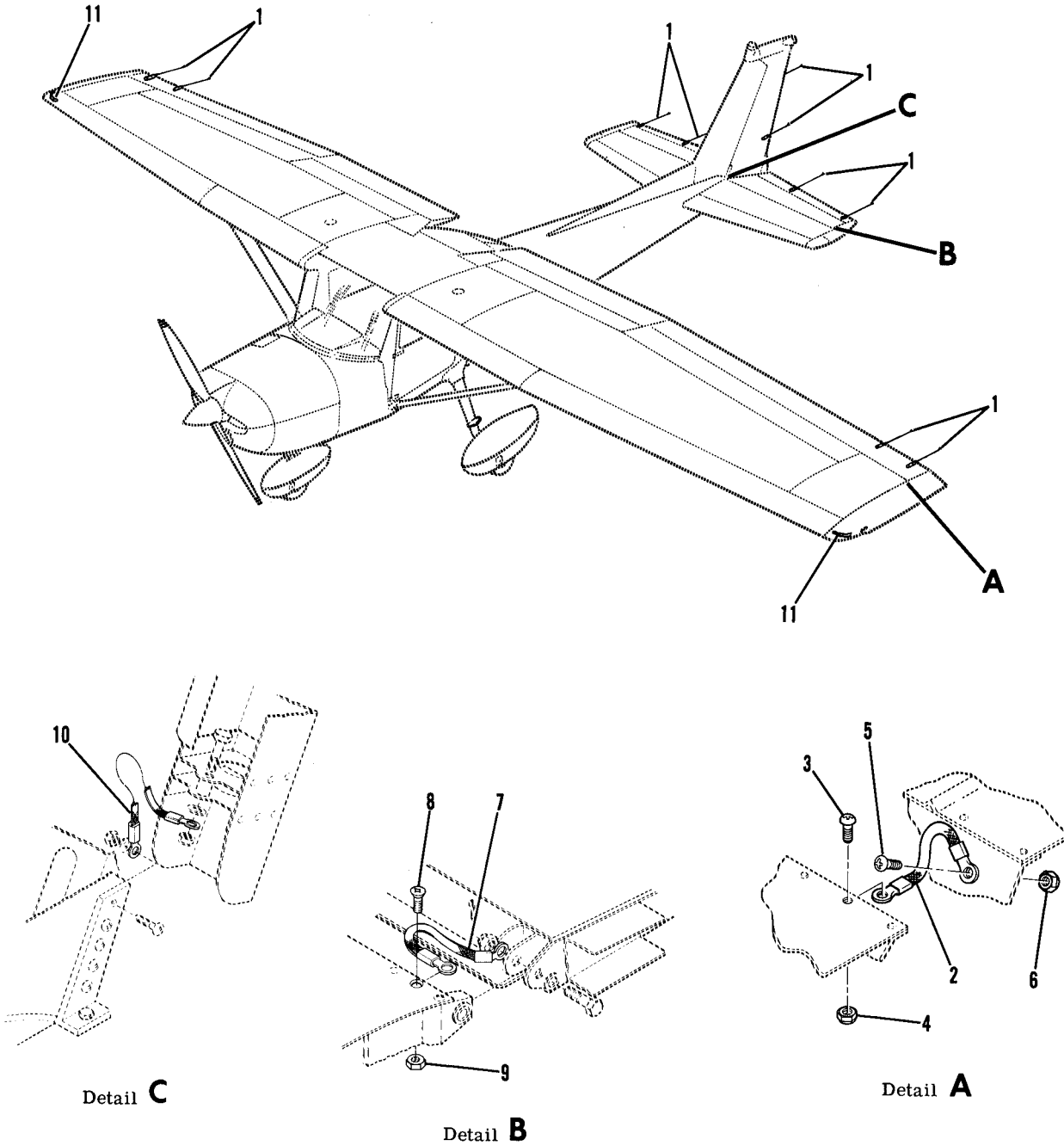


Figure 52. Refueling Step and Handle Installation

FIGURE AND INDEX NO.	PART NUMBER	DESCRIPTION	UNITS PER ASSY	USABLE ON CODE
		1 2 3 4 5 6 7		
52 -		REFUELING STEP & HANDLE INSTALLATION -----	NP	
- 1	0413399-1	STEP-LH -----	1	
	0413399-2	STEP-RH -----	1	
		ATTACHING PARTS		
- 2	AN3-5A	BOLT -----	2	
- 3	AN960D10L	WASHER -----	2	
- 3A	AN970-3	WASHER -----	2	
- 4	MS21044N3	NUT -----	2	
		---*---		
- 5	0413351-1	DOUBLER-LH -----	1	
- 6	0413351-2	DOUBLER-RH -----	1	
- 7	0500276-1	STEP ASSEMBLY-STRUT LH -----	1	A
	0500276-2	STEP ASSEMBLY-STRUT RH -----	1	A
	0500276-5	STEP ASSEMBLY-STRUT LH -----	1	B
	0500276-6	STEP ASSEMBLY-STRUT RH -----	1	B
		ATTACHING PARTS		
- 8	AN3-3A	BOLT -----	2	
- 9	AN960D10L	WASHER -----	2	
-10	MS21044N3	NUT -----	2	
		---*---		
-11	1613224-2	HANDLE-REFUELING -----	2	
		ATTACHING PARTS		
	S1450-4H12-050	WASHER UPPER -----	1	
	AN960-416L	WASHER LOWER -----	1	
	MS21042L4	NUT -----	1	
		---*---		
		A---150 SERIAL 15071129 & ON F150 SERIAL F15000530 & ON		
		B---A150 SERIAL A1500001 & ON FA150 SERIAL FA1500001 & ON		

Fuselage Equipment (Cont)

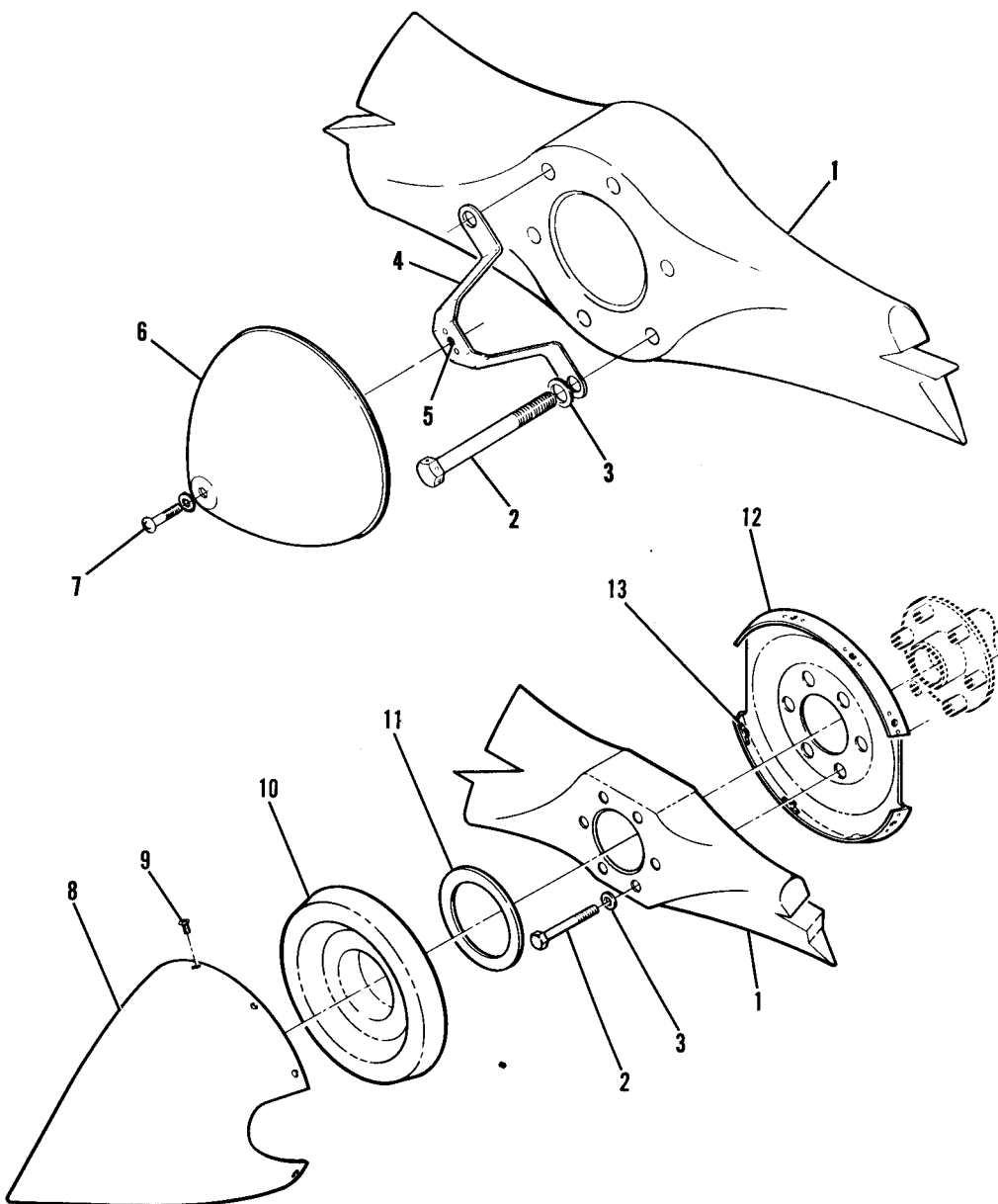


150 SERIAL 15077006 & ON
F150 SERIAL F15001249 & ON
A150 SERIAL A1500610 & ON
FA150 SERIAL FA1500282 & ON

Figure 52A. Static Discharger Installation

FIGURE AND INDEX NO.	PART NUMBER	DESCRIPTION	UNITS PER ASSY	USABLE ON CODE
		1 2 3 4 5 6 7		
52A-		STATIC DISCHARGER INSTALLATION -----	NP	A
- 1	C592001-0201	WICK-STATIC DISCHARGE -----	10	
	S2230-1	ATTACHING PARTS -----		
		RIVET-BLIND -----	2	
		-----*		
- 2	1570102-19	STRAP ASSEMBLY-BONDED -----	2	
		ATTACHING PARTS -----		
- 3	AN515-8R6	SCREW -----	1	
- 4	MS21044N08	NUT -----	1	
- 5	AN525-10R6	SCREW -----	1	
- 6	MS21044N3	NUT -----	1	
		-----*		
- 7	1570102-20	STRAP ASSEMBLY-BONDED -----	2	
		ATTACHING PARTS -----		
- 8	AN515-8R6	SCREW -----	1	
- 9	MS21044N08	NUT -----	1	
		-----*		
-10	1570102-18	STRAP ASSEMBLY-BONDED -----	1	
-11	1570102-10	STRAP ASSEMBLY-BONDED -----	2	
		A---150 SERIAL 15077006 & ON F150 SERIAL F15001249 & ON A150 SERIAL A1500610 & ON FA150 SERIAL FA1500282 & ON		

Propeller

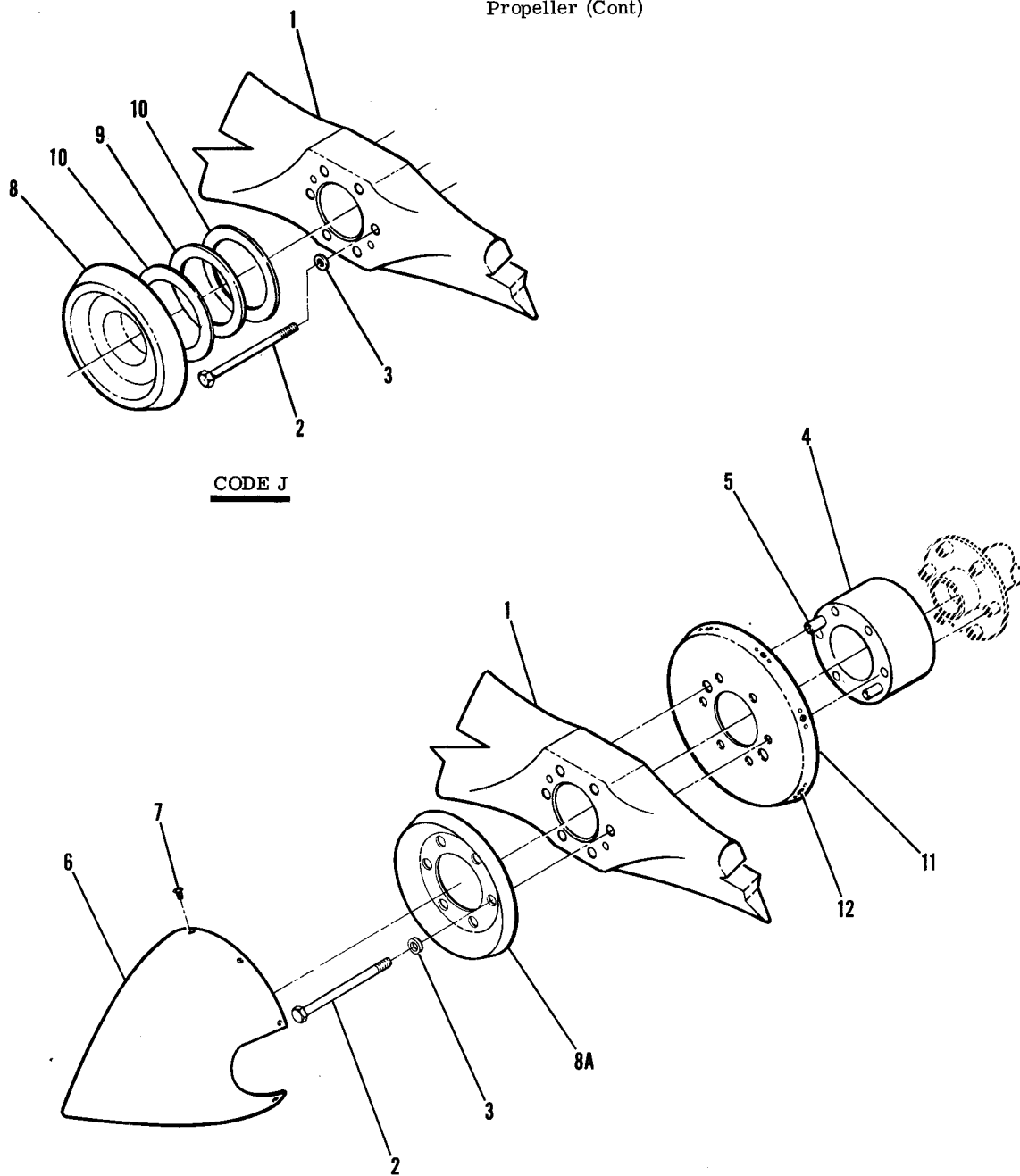


150 SERIAL 15071129 THRU 15072003
F150 SERIAL F15000530 THRU F15000658
A150 SERIAL A1500001 THRU A1500226
FA150 SERIAL FA1500001 THRU FA1500081

Figure 53. Propeller and Spinner Installation

FIGURE AND INDEX NO.	PART NUMBER	DESCRIPTION	UNITS PER ASSY	USABLE ON CODE
		1 2 3 4 5 6 7		
53 -		PROPELLER & SPINNER INSTALLATION -----	NP	B
- 1	0450515-2	PROPELLER-METAL 1A101/DCM6948 MCCAULEY -----	1	
	C161001-0203	PROPELLER-FLOATPLANE 1A90/CF7535 MCCAULEY -----	1	
		ATTACHING PARTS -----		
- 2	A2513-8	BOLT MCL -----	6	
- 3	A1638-13	WASHER MCL -----	6	
		-----*		
	S1433-2	DECAL-CESSNA -----	1	
- 4	0450260	BRACKET ASSEMBLY-SPINNER -----	1	A
- 5	NAS680A08	NUTPLATE -----	1	A
- 6	0450516-1	SPINNER-PROPELLER -----	1	A
		ATTACHING PARTS -----		
- 7	AN515-8R14	SCREW -----	1	A
	AN96008	WASHER -----	1	A
		-----*		
- 8	0450027-12	* SPINNER INSTALLATION-LARGE -----	NP	
		SPINNER-PROPELLER -----	1	
		ATTACHING PARTS -----		
- 9	AN525-832R7	SCREW -----	8	
		-----*		
-10	0450039-1	* BULKHEAD-SPINNER FORWARD -----	1	
-11	0450039-2	SPACER -----	AR	
-12	0450040-1	* BULKHEAD ASSEMBLY-SPINNER AFT -----	1	
-13	NAS680A08	NUTPLATE -----	8	
		 NOTE. *WHEN INITIALLY ORDERING THESE PARTS FOR AIRCRAFT SERIALS 15071129 THRU 15071725, F15000530 THRU F15000595, A1500001 THRU A1500153, & FA1500001 THRU FA1500026 REFER TO CESSNA SERVICE LETTER SE70-1.		
		 A---150 SERIAL 15071129 THRU 15072003 B---150 SERIAL 15071129 THRU 15072003 F150 SERIAL F15000530 THRU F15000658 A150 SERIAL A1500001 THRU A1500226 FA150 SERIAL FA1500001 THRU FA1500081		

Propeller (Cont)

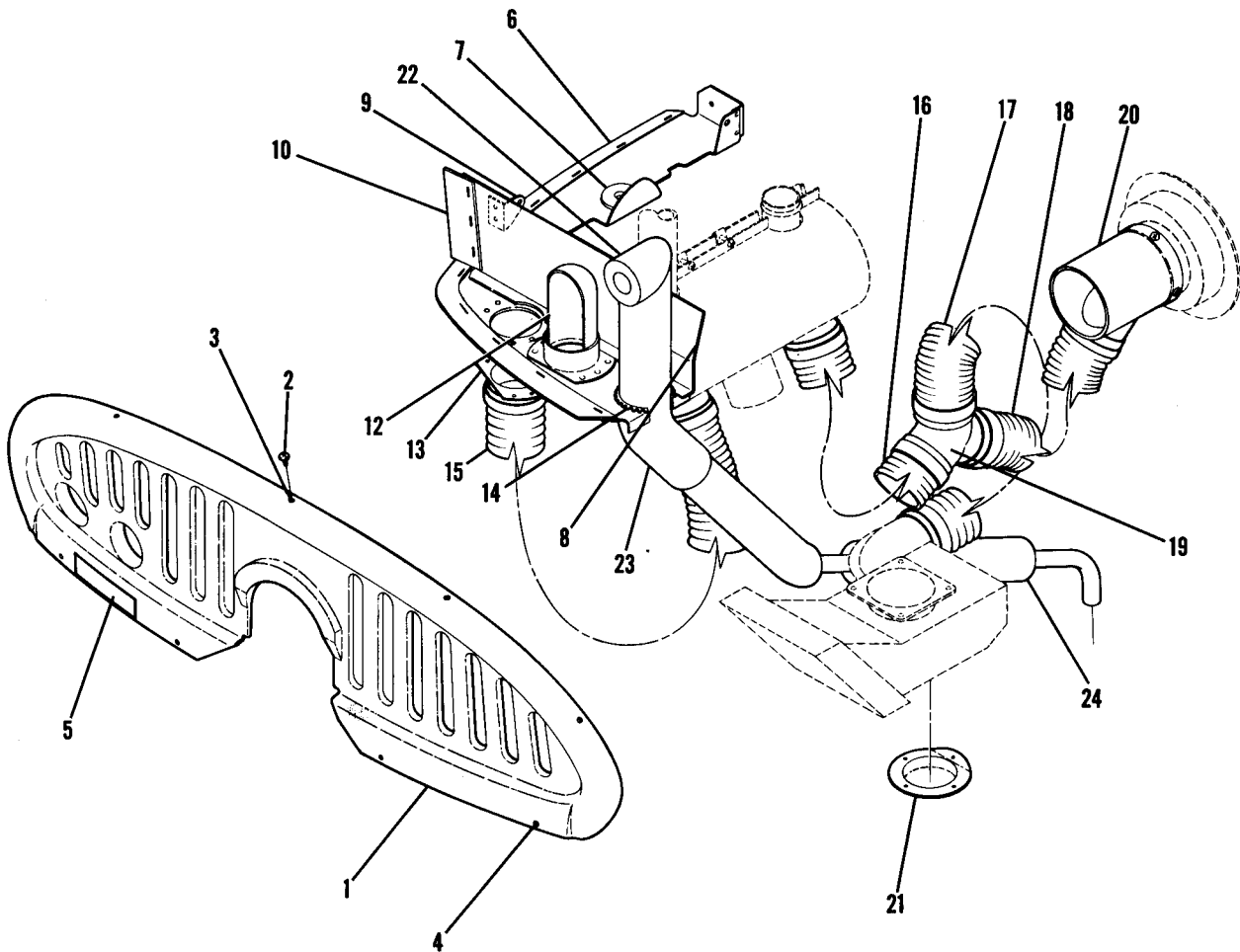


150 SERIAL 15072004 & ON
F150 SERIAL F15000659 & ON
A150 SERIAL A1500227 & ON
FA150 SERIAL FA1500082 THRU FA1500121

Figure 53A. Propeller and Spinner Installation

FIGURE AND INDEX NO.	PART NUMBER	DESCRIPTION	UNITS PER ASSY	USABLE ON CODE
		1 2 3 4 5 6 7		
53A-		PROPELLER & SPINNER INSTALLATION -----	NP	A
- 1	C161001-0401	PROPELLER ASSEMBLY 1A101/GCM6948 MCCAULEY ----- WEU C161001-0402	1	B
	C161001-0402	PROPELLER ASSEMBLY 1A101/HCM6948 MCCAULEY -----	1	E
	C161001-0403	PROPELLER ASSEMBLY 1A102/OCM6948 MCCAULEY -----	1	G
	C161001-0404	PROPELLER ASSEMBLY 1A101/PCM6948 MCCAULEY -----	1	F
	C161001-0405	PROPELLER ASSEMBLY 1A101/HCM6948 MCCAULEY ----- ALTERNATE FOR C161001-0404	1	F
		ATTACHING PARTS		
- 2	A2513-51	BOLT MCL USE WITH C161001-0401 ONLY -----	6	B
	A2513-52	BOLT MCL -----	6	C
- 3	A1638-14	WASHER MCL USE WITH C161001-0401 ONLY -----	6	B
	AN960-616L	WASHER MCL -----	6	C
		-----*		
- 4	B4304	SPACER-PROPELLER MCL USE WITH C161001-0401 ONLY -----	1	B
	B4351	SPACER-PROPELLER MCL USE WITH C161001-0402 & ----- C161001-0405 ONLY	1	C
	C4593	SPACER-PROPELLER MCL USE WITH C161001-0403 & ----- C161001-0404 ONLY	1	H
	C4513	SPACER-PROPELLER ALT MCL USE WITH ----- C161001-0403 & C161001-0404 ONLY	1	H
- 5	A2973-2	PIN-DOWEL MCL -----	2	
- 6	0450042-1	SPINNER-PROPELLER -----	1	
		ATTACHING PARTS		
- 7	AN525-832R7	SCREW -----	8	
		-----*		
- 8		BULKHEAD-SPINNER FWD FSD 0450050-1 SEE NOTE * -----	NP	J
- 8A	0450050-1	BULKHEAD-SPINNER FWD -----	1	K
- 9	0450039-2	SPACER NOT USED WITH 0450050-1 -----	AR	J
-10	0450039-5	SPACER NOT USED WITH 0450050-1 -----	2	J
-11	0450046-1	BULKHEAD ASSEMBLY-SPINNER AFT WEU 0450046-3 -----	1	D
	0450046-3	BULKHEAD ASSEMBLY-SPINNER AFT -----	1	H
-12	NAS680A08	NUTPLATE -----	8	
<p>NOTE. *WHEN INITIALLY ORDERING THESE PARTS FOR AIRCRAFT SERIALS 15072004 THRU 15075781, F15000659 THRU F15001143, A1500227 THRU A1500523 & FA1500082 THRU FA1500121 REFER TO CESSNA SERVICE LETTER SE74-18.</p> <p>A---150 SERIAL 15072004 & ON F150 SERIAL F15000659 & ON A150 SERIAL A1500227 & ON FA150 SERIAL FA1500082 THRU FA1500121</p> <p>B---150 SERIAL 15072004 THRU 15072472 F150 SERIAL F15000659 THRU F15000738 A150 SERIAL A1500227 THRU A1500258 FA150 SERIAL FA1500082 THRU FA1500121</p> <p>C---150 SERIAL 15072473 & ON F150 SERIAL F15000739 & ON A150 SERIAL A1500259 & ON</p> <p>D---150 SERIAL 15072004 THRU 15074850 F150 SERIAL F15000659 THRU F15001013 A150 SERIAL A1500227 THRU A1500429 FA150 SERIAL FA1500082 THRU FA1500121</p> <p>E---150 SERIAL 15072473 THRU 15074850 F150 SERIAL F15000739 THRU F15001013 A150 SERIAL A1500259 THRU A1500429</p> <p>F---150 SERIAL 15074851 THRU 15075781 F150 SERIAL F15001014 THRU F15001143</p> <p>G---150 SERIAL 15075782 & ON F150 SERIAL F15001144 & ON A150 SERIAL A1500430 & ON</p> <p>H---150 SERIAL 15074851 & ON F150 SERIAL F15001014 & ON A150 SERIAL A1500430 & ON</p> <p>J---150 SERIAL 15072004 THRU 15075781 F150 SERIAL F15000659 THRU F15001143 A150 SERIAL A1500227 THRU A1500523 FA150 SERIAL FA1500082 THRU FA1500121</p> <p>K---150 SERIAL 15075782 & ON F150 SERIAL F15001144 & ON A150 SERIAL A1500524 & ON</p>				

Winterization



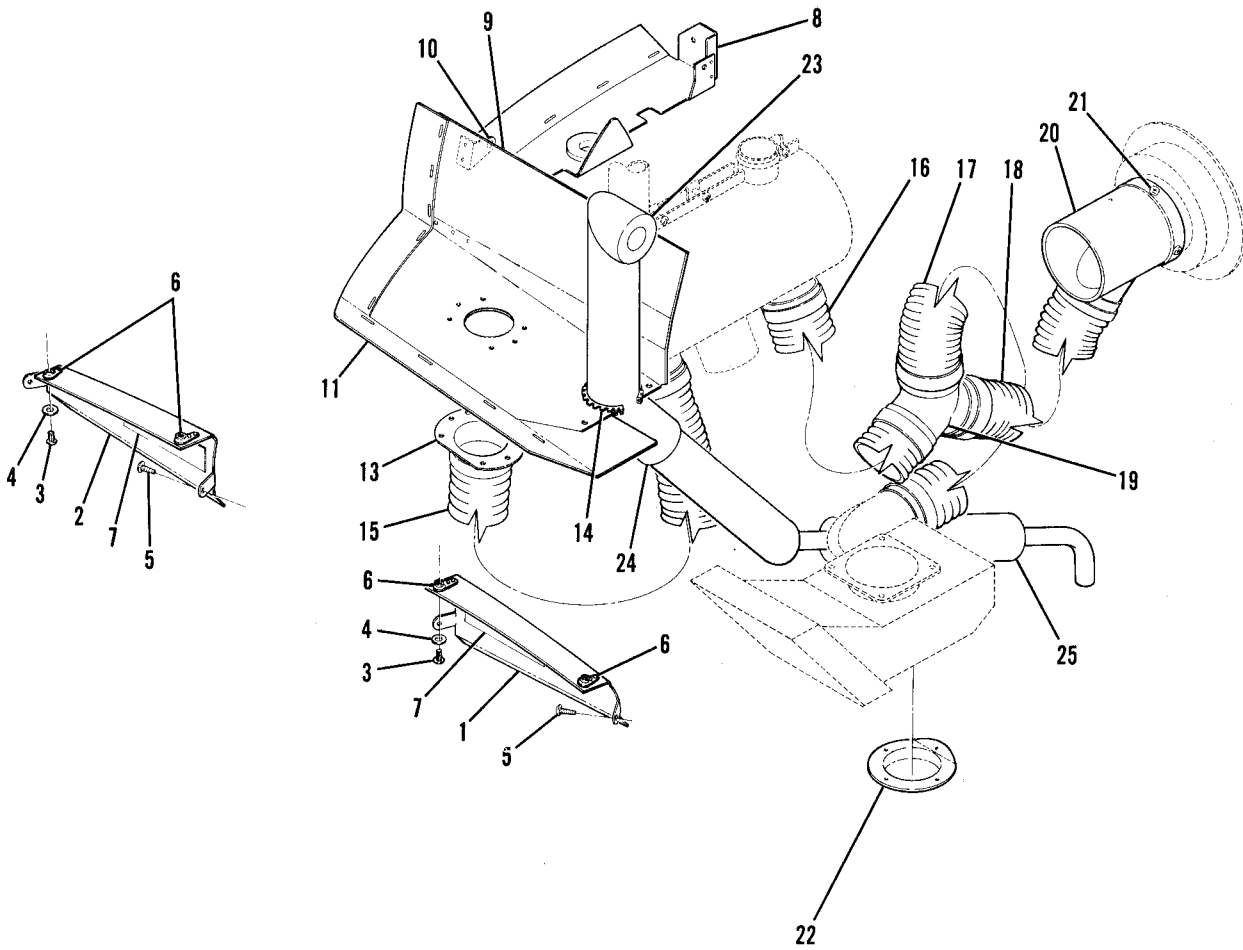
150 SERIAL 15071129 THRU 15072003
F150 SERIAL F15000530 THRU F15000658
A150 SERIAL A1500001 THRU A1500226
FA150 SERIAL FA1500001 THRU FA1500081

Figure 54. Winterization Equipment Installation



FIGURE AND INDEX NO.	PART NUMBER	DESCRIPTION							UNITS PER ASSY	USABLE ON CODE
		1	2	3	4	5	6	7		
54 -		WINTERIZATION EQUIPMENT INSTALLATION -----							NP	A
- 1	0452007-2-791	COVER-COWL OPENING -----							1	
		ATTACHING PARTS -----								
- 2	S102128-6	SCREW -----							9	
- 3	S1863-3	NUTPLATE -----							5	
- 4	S1862-2	NUTPLATE -----							4	
		-----*								
- 5	0552110-1	PLACARD-WINTERIZATION -----							1	
	0450502-39	BAFFLE ASSEMBLY-ENGINE -----							1	
- 6	0450502-13	SEAL -----							1	
- 7	MS35489-15	GROMMET -----							1	
- 8	0450302-1	BAFFLE ASSEMBLY-VERTICAL -----							1	
- 9	0450302-3	BRACKET -----							1	
-10	0450302-4	SEAL -----							1	
-11		DELETED -----								
-12	0450266-1	SCOOP ASSEMBLY -----							1	
-13	0450262	UNION -----							2	
-14	S1050-1	GROMMET-* IN LG BULK ITEM REF S1050-1* -----							1	
-15	S1053K16T	HOSE-18.25 IN LG BULK ITEM REF S1053E16T-18.25 -----							1	
-16	S1053K16T	HOSE-10.00 IN LG BULK ITEM REF S1053K16T-10.00 -----							1	
-17	S1053K16T	HOSE-7.50 IN LG BULK ITEM REF S1053K16T-7.50 -----							1	
-18	S1053K16T	HOSE-11.50 IN LG BULK ITEM REF S1053K16T-11.50 -----							1	
	NAS397-32	ATTACHING PARTS -----								
		CLAMP -----							2	
		-----*								
-19	0450408-1	TUBE ASSEMBLY-DUAL HEATER -----							1	
-20	0453117-1	TEE ASSEMBLY-CABIN HEATER -----							1	
		ATTACHING PARTS -----								
	S102128-6	SCREW -----							4	
		-----*								
-21	0452006-1	CAP-AIRBOX -----							1	
-22	0456004-1	VENT TUBE ASSY-WINTERIZATION -----							1	
-23	0456004-200	TUBE ASSEMBLY-INSULATING -----							1	
-24	0456004-6	TUBE-INSULATING -----							1	
<p>NOTE. *LENGTH TO BE DETERMINED LATER</p> <p>A---150 SERIAL 15071129 THRU 15072003 F150 SERIAL F15000530 THRU F15000658 A150 SERIAL A1500001 THRU A1500226 FA150 SERIAL FA1500001 THRU FA1500081</p>										

Winterization (Cont)

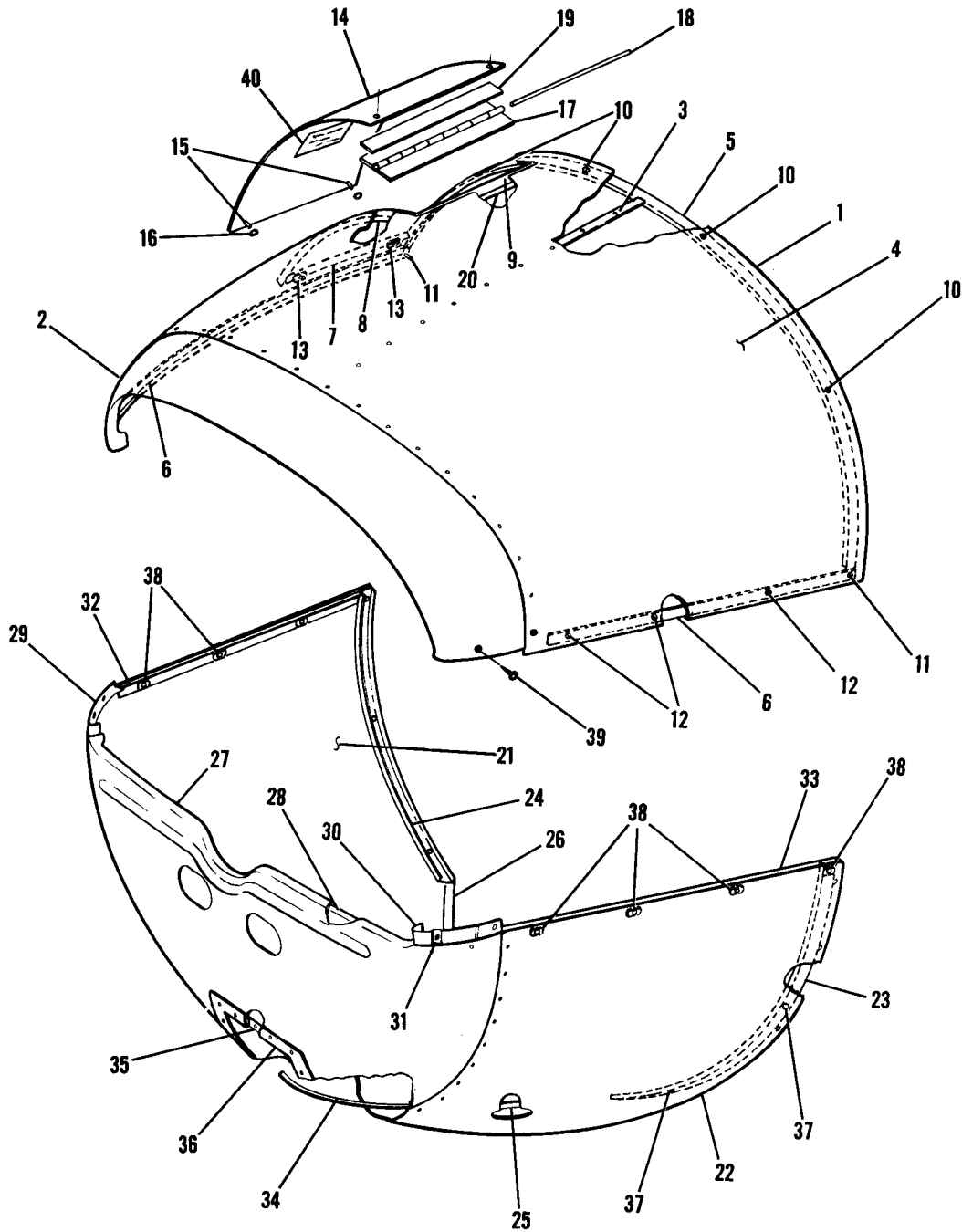


150 SERIAL 15072004 & ON
F150 SERIAL F15000659 & ON
A150 SERIAL A1500227 & ON
FA150 SERIAL FA1500082 & ON

Figure 54A. Winterization Equipment Installation

FIGURE AND INDEX NO.	PART NUMBER	DESCRIPTION	UNITS PER ASSY	USABLE ON CODE
		1 2 3 4 5 6 7		
54A-		WINTERIZATION EQUIPMENT INSTALLATION -----	NP	A
- 1	0450409-1	COVER ASSEMBLY-NOSE CAP LH -----	1	
- 2	0450409-2	COVER ASSEMBLY-NOSE CAP RH -----	1	
		ATTACHING PARTS -----		
- 3	AN520-10R6	SCREW -----	2	
- 4	AN960D10L	WASHER -----	2	
- 5	S1021Z8-8	SCREW -----	2	
		-----*		
- 6	NAS682A3K	NUTPLATE -----	2	
- 7	0552110-1	PLACARD WEU 0552110-3 -----	1	B
		PLACARD -----	1	C
- 8	SEE FIG 59A	BAFFLE ASSEMBLY-HORIZONTAL RH -----	1	
- 9	0455001-14	BAFFLE ASSEMBLY-VERTICAL RH -----	1	
-10	0450302-3	BRACKET -----	1	
-11	0455001-10	SEAL -----	1	
-12		DELETED, NEVER USED -----		
-13	0450262	UNION -----	1	
-14	S1050-1	GROMMET-* IN LG BULK ITEM REF S1050-1-* -----	1	
-15	S1053K16T	HOSE-18.25 IN LG BULK ITEM REF S1053K16T-18.25 -----	1	
-16	S1053K16T	HOSE-10.00 IN LG BULK ITEM REF S1053K16T-10.00 -----	1	
-17	S1053K16T	HOSE-7.50 IN LG BULK ITEM REF S1053K16T-7.50 -----	1	
-18	S1053K16T	HOSE-11.50 IN LG BULK ITEM REF S1053K16T-11.50 -----	1	
		ATTACHING PARTS -----		
	NAS397-22	CLAMP -----	2	
		-----*		
-19	0450408-1	TUBE ASSEMBLY-DUAL HEATER -----	1	
-20	0453117-1	TEE ASSEMBLY-CABIN HEATER -----	1	
		ATTACHING PARTS -----		
-21	S1021Z8-6	SCREW -----	4	
		-----*		
-22	0452006-1	CAP-AIRBOX -----	1	
-23	0456004-1	VENT TUBE ASSY-WINTERIZATION -----	1	
-24	0456004-200	TUBE ASSEMBLY-INSULATING -----	1	
-25	0456004-6	TUBE-INSULATING -----	1	
		 NOTE. *LENGTH TO BE ADDED LATER		
		 A---150 SERIAL 15072004 & ON F150 SERIAL F15000659 & ON A150 SERIAL A1500227 & ON FA150 SERIAL FA1500082 & ON		
		B---150 SERIAL 15072004 THRU 15074850 FA150 SERIAL FA1500082 & ON A150 SERIAL A1500227 THRU A1500429 FA150 SERIAL FA1500082 THRU FA1500211		
		C---150 SERIAL 15074851 & ON F150 SERIAL F15001014 & ON A150 SERIAL A1500430 & ON FA150 SERIAL FA1500212 & ON		

Cowling

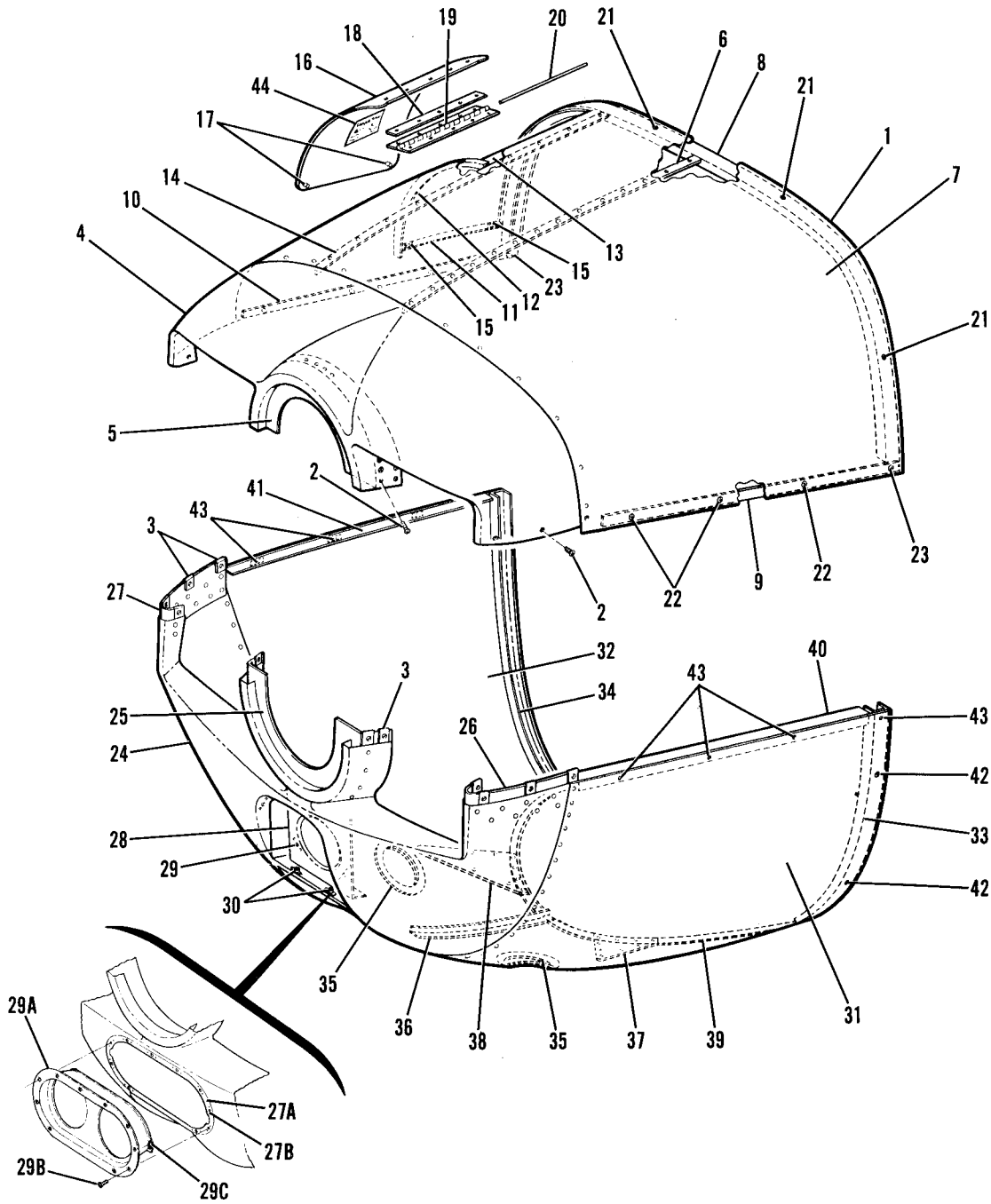


150 SERIAL 15071129 THRU 15072003
F150 SERIAL F15000530 THRU F15000658
A150 SERIAL A1500001 THRU A1500226
FA150 SERIAL FA1500001 THRU FA1500081

Figure 55. Engine Cowling Assembly

FIGURE AND INDEX NO.	PART NUMBER	DESCRIPTION	UNITS PER ASSY	USABLE ON CODE
		1 2 3 4 5 6 7		
55 -		ENGINE COWL ASSEMBLY -----	NP	A
- 1	0452003-2	COWL ASSEMBLY-UPPER -----	1	
- 2	0452002-6	NOSECAP-UPPER COWL -----	1	
- 3	0452003-14	ANGLE-UPPER COWL TOP -----	1	
- 4	0452003-4	SKIN ASSEMBLY-UPPER COWL -----	1	
- 5	0452003-11	CHANNEL-UPPER COWL -----	1	
- 6	0452003-17	DOUBLER-UPPER COWL LH -----	1	
	0452003-16	DOUBLER-UPPER COWL RH -----	1	
- 7	0452004-1	DOUBLER-DOOR LOWER -----	1	
- 8	0452003-28	DOUBLER-UPPER COWL -----	1	
- 9	0452003-25	DOUBLER-UPPER COWL DOOR OPENING -----	1	
-10	S1115-32	STUD PHILLIPS HEAD -----	4	
-11	S1115-35	STUD PHILLIPS HEAD -----	2	
-12	S1115-33	STUD PHILLIPS HEAD -----	6	
	S1115-9	RING ATTACH STUD -----	12	
-13	S1115-19	RECEPTACLE -----	2	
-14	0452003-20	DOOR ASSEMBLY-COWL ACCESS -----	1	
-15	S1115-21	STUD -----	2	
-16	S1115-9	RING ATTACH STUD -----	2	
-17	0452003-22	HINGE ASSEMBLY -----	1	
-18	MS20253-2-7.00	PIN-HINGE -----	1	
-19	0452003-27	SPACER BETWEEN HINGE & DOOR -----	1	
-20	0452003-15	ANGLE -----	1	
	0452003-3	COWL ASSEMBLY-LOWER -----	1	
-21	0452003-6	SKIN ASSEMBLY-LOWER COWL RH -----	1	
-22	0452003-7	SKIN ASSEMBLY-LOWER COWL LH -----	1	
-23	0452003-13	CHANNEL-LOWER COWL LH -----	1	
-24	0452003-12	CHANNEL-LOWER COWL RH -----	1	
-25	0452002-29	DOUBLER-EXHAUST OPENING -----	1	
-26	0452003-26	DOUBLER-AFT LOWER -----	1	
-27	0452002-45	NOSECAP ASSEMBLY-LOWER COWL -----	1	
-28	0452002-43	DOUBLER-NOSECAP -----	1	
-29	0452002-16	DOUBLER-NOSECAP RH -----	1	
-30	0452002-17	DOUBLER-NOSECAP LH -----	1	
-31	NAS395-18-3	NUT -----	6	
-32	0452003-18	ANGLE-SIDE RH -----	1	
-33	0452003-19	ANGLE-SIDE LH -----	1	
-34	0452002-42	ANGLE-LOWER -----	1	
-35	0452002-30	DOUBLER-AIRSCOOP -----	1	
-36	0452200-1	FAIRING-AIR SCOOP -----	1	
-37	S1115-32	STUD PHILLIPS HEAD -----	6	
	S1115-9	RING ATTACH STUD -----	6	
-38	S1115-19	RECEPTACLE -----	8	
-39	S102128-8	SCREW ATTACH UPPER TO LOWER NOSECAP -----	6	
-40	S1397-5	PLACARD-ENGINE OIL CHANGE -----	1	
		A---150 SERIAL 15071129 THRU 15072003 F150 SERIAL F15000530 THRU F15000658 A150 SERIAL A1500001 THRU A1500226 FA150 SERIAL FA1500001 THRU FA1500081		

*Cowling (Cont)



DUAL LANDING LIGHT

150 SERIAL 15072004 & ON
F150 SERIAL F15000659 & ON
A150 SERIAL A1500227 & ON
FA150 SERIAL FA1500082 & ON

Figure 55A. Engine Cowling Assembly

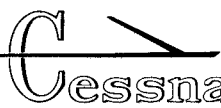


FIGURE AND INDEX NO.	PART NUMBER	DESCRIPTION	UNITS PER ASSY	USABLE ON CODE		
					1	2
55A-		ENGINE COWL ASSEMBLY -----	NP	A		
- 1	0452010-3	COWL ASSEMBLY-UPPER -----	1			
		ATTACHING PARTS -----				
- 2	S1021Z8-8	SCREW -----	12			
- 3	NAS395-17-3	NUT -----	12			
		-----*				
- 4	0452011-2	NOSECAP ASSEMBLY-UPPER CCWL -----	1			
- 5	0452012-1	STIFFENER-NOSECAP UPPER -----	1			
- 6	0452010-4	STIFFENER-UPPER COWL TOP -----	1			
- 7	0452003-4	SKIN ASSEMBLY-UPPER COWL -----	1			
- 8	0452003-11	CHANNEL-UPPER COWL -----	1			
- 9	0452003-17	DOUBLER-UPPER COWL LH -----	1			
-10	0452003-16	DOUBLER-UPPER COWL RH -----	1			
-11	0452004-1	DOUBLER-DOOR LOWER -----	1			
-12	0452003-28	DOUBLER-DOOR -----	1			
-13	0452003-25	DOUBLER-DOOR UPPER -----	1			
-14	0452010-9	STIFFENER -----	1			
-15	S1115-19	RECEPTACLE -----	2			
-16	0452003-20	DOOR ASSEMBLY-COWL ACCESS -----	1			
-17	S1115-21	STUD -----	2			
	S1115-9	RING ATTACH STUD -----	2			
-18	0452003-27	SPACER -----	1			
-19	0452003-22	HINGE ASSEMBLY -----	1			
-20	MS20253-2-7.00	PIN-HINGE -----	1			
-21	S1115-32	STUD -----	4			
-22	S1115-33	STUD -----	6			
-23	S1115-35	STUD -----	2			
	S1115-9	RING ATTACH STUD -----	12			
	0452010-2	COWL ASSEMBLY-LOWER WITHOUT LANDING LIGHT PROVISIONS -----	1			
	0452010-200	COWL ASSEMBLY-LOWER WITH SINGLE LANDING LIGHT PROVISIONS -----	1	B		
	0452010-201	COWL ASSEMBLY-LOWER WITH SINGLE LANDING LIGHT PROVISIONS -----	1	C		
	0452010-18	COWL ASSEMBLY-LOWER WITH DUAL LANDING LIGHT PROVISIONS -----	1	D		
-24	0452011-1	NOSECAP ASSEMBLY-LOWER WITHOUT LANDING LIGHT PROVISION -----	1			
	0452011-200	NOSECAP ASSY-LOWER WITH SINGLE LANDING LIGHT PROVISIONS -----	1	B		
	0452011-201	NOSECAP ASSY-LOWER WITH SINGLE LANDING LIGHT PROVISIONS -----	1	C		
	0452011-6	NOSECAP ASSY-LOWER WITH DUAL LANDING LIGHT PROVISIONS -----	1	D		
-25	0452012-2	STIFFENER-NOSECAP LOWER -----	1			
-26	0452012-5	DOUBLER ASSEMBLY-LH -----	1			
-27	0452012-6	DOUBLER ASSEMBLY-RH -----	1			
	S1863-2	NUTPLATE -----	1			
-27A	0452009-9	DOUBLER ASSY USED WITH DUAL LANDING LIGHT PROVISIONS -----	1	D		
-27B	NAS697A08	NUTPLATE -----	13	D		
-28	0452014-1	BRACKET ASSEMBLY-SINGLE LANDING LIGHT SUPPORT -----	1	B		
	0452018-5	BRACKET ASSEMBLY-SINGLE LANDING LIGHT SUPPORT -----	1	C		
-29	NAS680A08	NUTPLATE -----	3			
-29A	0452009-11	SUPPORT ASSY USED WITH DUAL LANDING LIGHT PROVISIONS -----	1	D		
		ATTACHING PARTS -----				
-29B	AN515-8R6	SCREW -----	13	D		
		-----*				
-29C	NAS697A08	NUTPLATE -----	6	D		
-30	NAS680A08	NUTPLATE USED WITH SINGLE LANDING LIGHT PROVISIONS -----	6			
-31	0452010-5	SKIN ASSEMBLY-LOWER COWL LH -----	1			
-32	0452010-6	SKIN ASSEMBLY-LOWER COWL RH -----	1			
-33	0452003-13	CHANNEL-LOWER COWL LH -----	1			
-34	0452003-12	CHANNEL-LOWER COWL RH -----	1			
-35	0452002-29	DOUBLER-EXHAUST OPENING -----	1			
-36	0452010-10	STIFFENER-LOWER -----	1			
-37	0452008-1	REINFORCEMENT-LH -----	1			
-38	0452008-2	REINFORCEMENT-RH -----	1			
-39	0452003-26	DOUBLER-AFT LOWER -----	1			
-40	0452010-11	STIFFENER-SIDE LH -----	1			
-41	0452010-12	STIFFENER-SIDE RH -----	1			
-42	S1115-32	STUD -----	6			
	S1115-9	RING ATTACH STUD -----	6			
-43	S1115-19	RECEPTACLE -----	8			

CONTINUED ON NEXT PAGE

FIGURE AND INDEX NO.	PART NUMBER	DESCRIPTION	UNITS PER ASSY	USABLE ON CODE
55A-44	S1397-5	<p>1 2 3 4 5 6 7</p> <p>PLACARD-ENGINE OIL CHANGE -----</p> <p>A---150 SERIAL 15072004 & ON F150 SERIAL F15000659 & ON A150 SERIAL A1500227 & ON FA150 SERIAL FA1500082 & ON</p> <p>B---150 SERIAL 15072004 THRU 15072628 F150 SERIAL F15000659 THRU F15000738 A150 SERIAL A1500227 THRU A1500276 FA150 SERIAL FA1500082 THRU FA1500166</p> <p>C---150 SERIAL 15072629 & ON F150 SERIAL F15000739 & ON A150 SERIAL A1500277 & ON FA150 SERIAL FA1500167 & ON</p> <p>D---150 SERIAL 15074851 & ON F150 SERIAL F15001014 & ON A150 SERIAL A1500430 & ON FA150 SERIAL FA1500212 & ON</p>	1	

This page intentionally left blank.

Engine

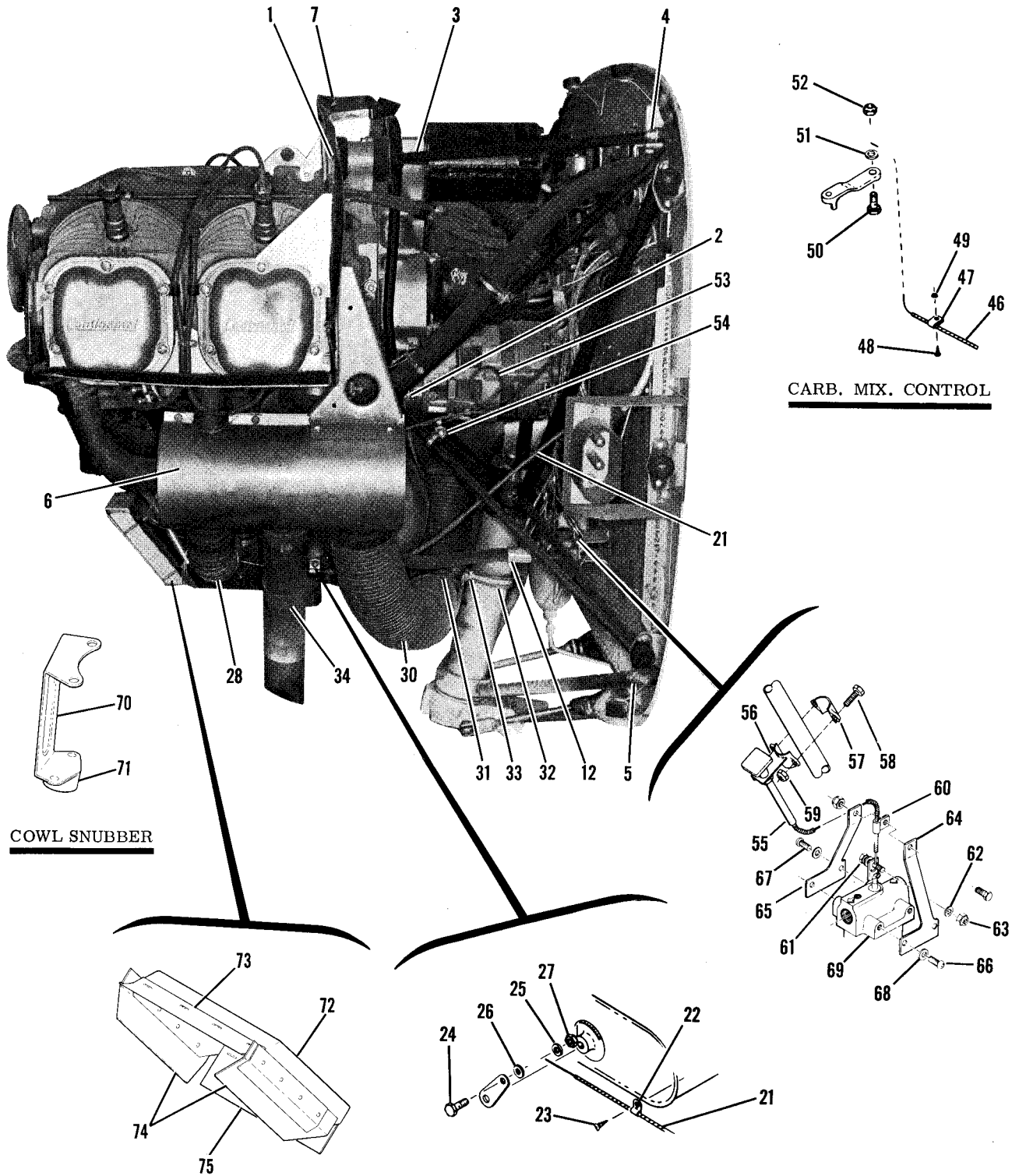


Figure 56. (Sheet 1 of 2) Engine Installation

Engine (Cont)

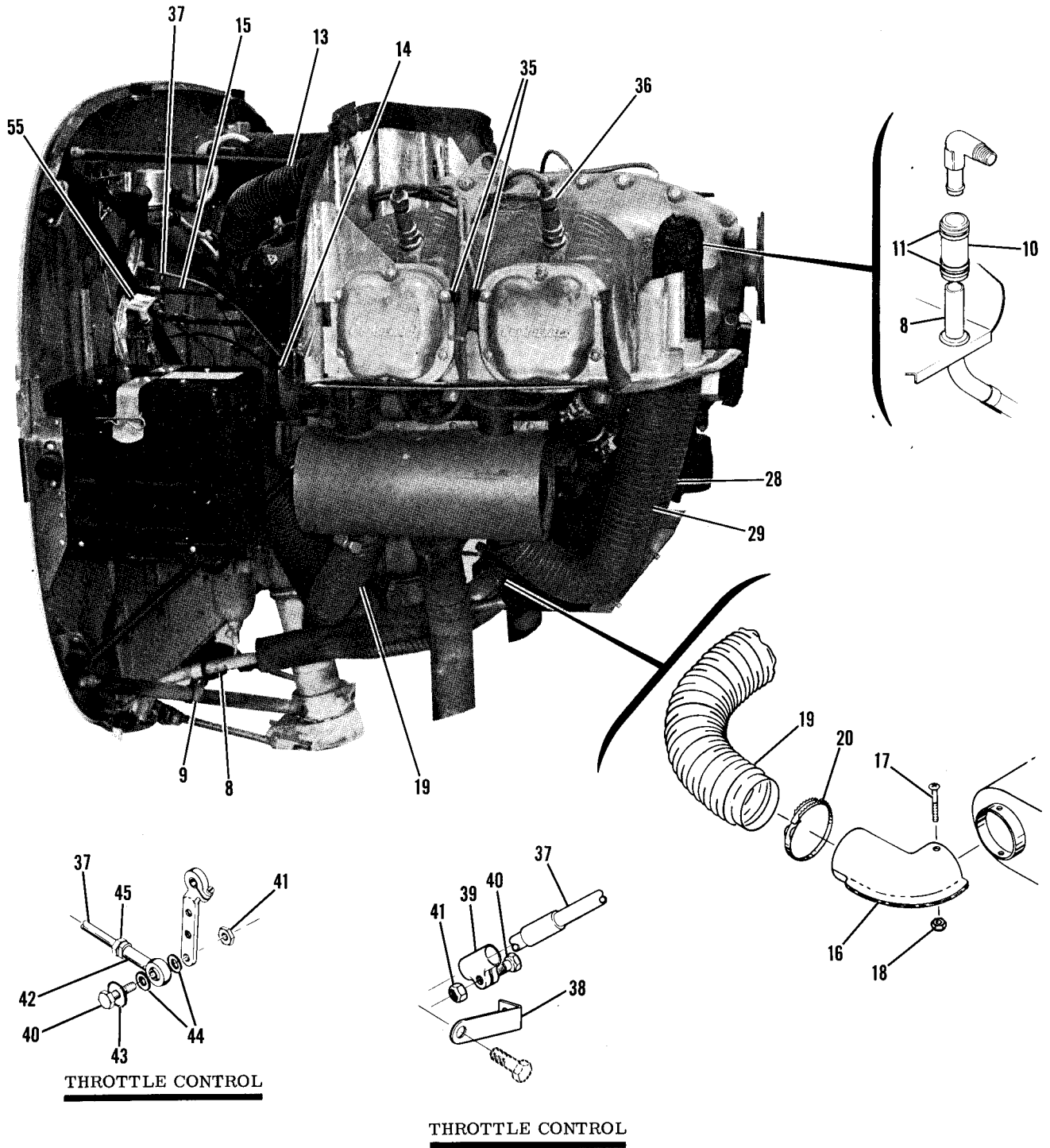


Figure 56. (Sheet 2 of 2) Engine Installation

FIGURE AND INDEX NO.	PART NUMBER	DESCRIPTION	UNITS PER ASSY	USABLE ON CODE
56 -	0-200A	ENGINE INSTALLATION ----- ENGINE SPEC 48 CM -----	NP 1	
- 1	AN6-54A	ATTACHING PARTS ----- BOLT UPPER FWD MOUNTS ONLY -----	2	G
- 2	AN6-43A	BOLT UPPER FWD MOUNTS ONLY -----	2	H
	AN6-43A	BOLT LWR FWD LH MOUNT ONLY -----	1	
	AN6-44A	BOLT LWR FWD RH MOUNT ONLY -----	1	
	0551012-2	STRAP-GROUND LWR FWD MOUNTS ONLY -----	2	
	AN960-616	WASHER -----	3	
	MS21042L6	NUT -----	4	
- 3	0451120-1	MOUNT ASSEMBLY-ENGINE -----	1	
- 4	AN5-22A	BOLT UPPER AFT MOUNTS ONLY -----	2	
- 5	AN5-20A	BOLT LOWER AFT MOUNTS ONLY -----	2	
	AN960-516	WASHER -----	4	
	S1450-5-18-063	WASHER -----	4	
	MS20365-524C	NUT -----	4	
	SEE FIG 57	ENGINE COMPONENTS & ACCESSORIES -----	1	
- 6	SEE FIG 58	ENGINE EXHAUST STACK ASSEMBLY -----	1	
- 7	SEE FIG 59	ENGINE BAFFLES INSTALLATION -----	1	E
	SEE FIG 59A	ENGINE BAFFLES INSTALLATION -----	1	F
- 8	0456004-2	LINE-VENT -----	1	
		ATTACHING PARTS -----		
- 9	S1485D10U	CLAMP -----	1	
	S102128-10	SCREW -----	1	
		-----*-----		
-10	S51-10	HOSE 4.75 IN LG BULK ITEM REF S51-10-19 -----	1	
		ATTACHING PARTS -----		
-11	NAS397-16	CLAMP -----	2	
		-----*-----		
-12	S1167-6-0230	HOSE ASSEMBLY-FUEL CARB TO STRAINER -----	1	E
	S1167-6-0194	HOSE ASSEMBLY-FUEL CARB TO STRAINER -----	1	F
		ATTACHING PARTS -----		
	AN816-6D	NIPPLE -----	1	
	MS20822-6-6D	ELBOW -----	1	A
	AN816-6-6D	NIPPLE -----	1	B
	AN912-2D	BUSHING -----	1	F
	MS20823-6D	ELBOW -----	1	F
		-----*-----		
-13	S1053E8T	HOSE-BLAST 19.75 IN LG BULK ITEM ----- REF S1053E8T19.75	1	
		ATTACHING PARTS -----		
	NAS397-16	CLAMP -----	1	
	NAS397-18	CLAMP -----	1	
		-----*-----		
-14	0750139	ADAPTER-OIL TEMPERATURE -----	1	L
	S1630-4	SENDING UNIT-OIL TEMPERATURE -----	1	M
	MS35769-11	GASKET -----	1	M
-15	SEE FIG 78	HOSE ASSEMBLY-OIL PRESSURE -----	1	
-16	0450314	FITTING ASSEMBLY-CARBURETOR HEAT -----	1	
		ATTACHING PARTS -----		
-17	AN515-6R40	SCREW -----	1	
-18	MS21045L08	NUT -----	1	
		-----*-----		
-19	S1053K16T	HOSE-CARB AIR BOX TO RH SHROUD 17.0 IN LG ----- BULK ITEM REF S1053K16T17.0	1	
		ATTACHING PARTS -----		
-20	NAS397-34	CLAMP -----	2	
		-----*-----		
-21	S1230-19	CONTROL-CARBURETOR HEAT -----	1	
		ATTACHING PARTS -----		
-22	S1485D3U	CLAMP -----	2	
-23	S102126-8	SCREW -----	1	
-24	0450311	CLAMP -----	1	
-25	AN960-10	WASHER -----	1	
-26	AN960-10L	WASHER -----	1	
-27	MS21045L3	NUT -----	1	
	AN742D2	CLAMP FASTEN CARB HEAT CONTROL TO MOUNT -----	1	
	S1485D8U	CLAMP FASTEN CARB HEAT CONTROL TO MOUNT -----	1	
	S102128-8	SCREW FASTEN CARB HEAT CONTROL TO MOUNT -----	1	
		-----*-----		

CONTINUED ON NEXT PAGE



FIGURE AND INDEX NO.	PART NUMBER	DESCRIPTION							UNITS PER ASSY	USABLE ON CODE
		1	2	3	4	5	6	7		
56 -28	S1053E16T	HOSE-AIR INTAKE LH	27.0	IN	LG	BULK ITEM	-----	1	E	
		REF S1053E16T27.0								
	S1053E16T	HOSE-AIR INTAKE LH	20.0	IN	LG	BULK ITEM	-----	1	F	
		REF S1053E16T20.0								
		ATTACHING PARTS								
	0550100-11	BRACKET				ATTACH HOSE AT CARBURETOR	-----	1		
	AN742D34	CLAMP				ATTACH HOSE AT CARBURETOR	-----	1		
	AN520-18R8	SCREW				ATTACH HOSE AT CARBURETOR	-----	1		
	MS21045L3	NUT				ATTACH HOSE AT CARBURETOR	-----	1		
		---*---								
-29	S1053E16T	HOSE-AIR INTAKE RH	19.0	IN	LG	BULK ITEM	-----	1	E	
		REF S1053E16T19.0								
	S1053E16T	HOSE-AIR INTAKE LH	20.0	IN	LG	BULK ITEM	-----	1	F	
		REF S1053E16T20.0								
		ATTACHING PARTS								
	NAS397-34	CLAMP					-----	2		
		---*---								
-30	S1053K24T	HOSE-CABIN HEATER VALVE TO LH SHROUD	30.0	IN	LG		-----	1		
		BULK ITEM REF S1053K24T30.0								
		ATTACHING PARTS								
	NAS398-50	CLAMP					-----	2		
-31	MS21919DG48	CLAMP					-----	1		
-32	MS21919DG36	CLAMP					-----	1		
-33	AN520-10R10	SCREW					-----	1		
	AN960-10L	WASHER					-----	1		
	MS21045L3	NUT					-----	1		
		---*---								
-34	0450340-1	BRACE ASSEMBLY-EXHAUST STACK					-----	1		
		ATTACHING PARTS								
	AN741-16P	CLAMP					-----	2		
	AN4C6A	BOLT					-----	2		
	MS21042L4	NUT					-----	2		
		---*---								
-35	0750178-2	CLAMP				LWR SPARK PLUG LEAD TO REAR CYLINDER	-----	2		
-36	SEE FIG 57	SPARK PLUG					-----	8		
-37	S1222-17	CONTROL ASSEMBLY-THROTTLE				WEU C299505-0202S	-----	1	C	
	C299505-0202S	CONTROL ASSEMBLY-THROTTLE					-----	1	D	
	9863053-7	CONTROL ASSEMBLY-THROTTLE					-----	1	Q	
		ATTACHING PARTS								
-38	0450343-1	BRACKET					-----	1		
-39	0450191-1	CLAMP					-----	1		
-40	AN3-5A	BOLT					-----	2		
-41	MS21045L3	NUT					-----	2		
-42	S1104-3	ROD END					-----	1		
-43	AN970-3	WASHER					-----	1		
-44	AN960D10	WASHER					-----	2		
-45	AN356-1032	LOCKNUT					-----	1		
	S1399-1	SLEEVE	1.5	IN	LG	BULK ITEM REF S1399-1-1.50	-----	1		
		---*---								
-46	S1777-1	CONTROL-CARBURETOR MIXTURE					-----	1	J	
	S1234-11	CONTROL-CARBURETOR MIXTURE					-----	1	N	
	9862010-3	CONTROL-CARBURETOR MIXTURE					-----	1	Q	
		ATTACHING PARTS								
-47	AN742D3	CLAMP					-----	1	P	
	S2226-2	CLAMP					-----	1	Q	
-48	AN3-3A	BOLT					-----	1		
-49	MS21045L3	NUT					-----	1		
-50	0450311-6	CLAMP					-----	1	J	
	0450311-12	CLAMP					-----	1	K	
-51	AN960-416L	WASHER					-----	1		
	MS21042L4	NUT					-----	1		
-52	AN735D24	CLAMP				FASTEN MIXTURE CONTROL TO OIL FILLER TUBE	-----	1		
	S1485D10U	CLAMP				FASTEN MIXTURE CONTROL TO OIL FILLER TUBE	-----	1	P	
	S1021Z8-8	SCREW				FASTEN MIXTURE CONTROL TO OIL FILLER TUBE	-----	1	P	
	S2226-2	CLAMP				FASTEN MIXTURE CONTROL TO OIL FILLER TUBE	-----	1	Q	
	AN3-3A	BOLT				FASTEN MIXTURE CONTROL TO OIL FILLER TUBE	-----	1	Q	
	MS21045L3	NUT				FASTEN MIXTURE CONTROL TO OIL FILLER TUBE	-----	1	Q	
		---*---								

CONTINUED ON NEXT PAGE

FIGURE AND INDEX NO.	PART NUMBER	DESCRIPTION	UNITS PER ASSY	USABLE ON CODE
56 -53	0400311-103	LINE ASSEMBLY-PRIMER ----- ATTACHING PARTS -----	1	
-54	AN742D2	CLAMP TIN -----	1	
	S1485D8U	CLAMP -----	1	
	S1021Z8-8	SCREW -----	1	
	NAS446-4-3	NUT -----	1	
		-----*		
-55	S1517-11	CONTROL ASSEMBLY-STRAINER DRAIN ----- ATTACHING PARTS -----	1	
-56	0456002-1	BRACKET ASSEMBLY -----	1	
-57	AN741T6P	CLAMP -----	2	
-58	AN4-6A	BOLT -----	2	
-59	MS21042L4	NUT -----	2	
-60	AN742D3	CLAMP -----	1	
	AN515-10R10	SCREW -----	1	
	MS21045L3	NUT -----	1	
-61	0450311-3	CLAMP -----	1	
-62	AN960-416	WASHER -----	AR	
-63	MS21042L4	NUT -----	1	
-64	0500315-1	BRACKET-STRAINER DRAIN CONTROL -----	1	
-65	0500315-2	BRACKET-STRAINER DRAIN CONTROL -----	1	
-66	MS20074-03-04	BOLT COMMON TO STRAINER ATTACH -----	2	
-67	AN515-10R10	SCREW -----	2	
-68	AN936A10	WASHER TWO ARE COMMON TO STRAINER ATTACH -----	4	
		-----*		
-69	SEE FIG 77	FUEL STRAINER ASSEMBLY -----	1	
-70	0452019-1	BRACKET ASSEMBLY-COWL SNUBBER -----	1	F
-71	S1115-29	SHOCKMOUNT -----	1	F
-72	0452017-15	SEAL ASSEMBLY-CARBURETOR AIR FILTER -----	1	F
-73	0452017-5	SEAL-UPPER -----	1	F
-74	0452017-6	SEAL-SIDE -----	2	F
-75	0452017-7	SEAL-LOWER -----	1	F
<p>NOTE. *WHEN INITIALLY REPLACING THIS PART ON AIRCRAFT PRIOR TO SERIALS 15077216 & A1500631 A NEW OIL TEMP GAGE, PART NUMBER 442907-1, MUST BE INSTALLED.</p> <p>A---150 SERIAL F15000530 THRU F15000619 B---150 SERIAL 15071129 THRU 15072003 F150 SERIAL F15000620 THRU F15000658 A150 SERIAL A1500001 THRU A1500226 FA150 SERIAL FA1500001 THRU FA1500081 C---150 SERIAL 15071129 THRU 15071874 F150 SERIAL F15000530 THRU F15000658 A150 SERIAL A1500001 THRU A1500182 FA150 SERIAL FA1500001 THRU FA1500081 D---150 SERIAL 15071875 THRU 15078505 F150 SERIAL F15000659 THRU F15001338 A150 SERIAL A1500183 THRU A1500684 FA150 SERIAL FA1500082 THRU FA1500311 E---150 SERIAL 15071129 THRU 15072003 F150 SERIAL F15000530 THRU F15000658 A150 SERIAL A1500001 THRU A1500226 FA150 SERIAL FA1500001 THRU FA1500081 F---150 SERIAL 15072004 & ON F150 SERIAL F15000659 & ON A150 SERIAL A1500227 & ON FA150 SERIAL FA1500082 & ON G---150 SERIAL 15071129 THRU 15072537 F150 SERIAL F15000530 THRU F15000738 A150 SERIAL A1500001 THRU A1500264 FA150 SERIAL FA1500001 THRU FA1500121 H---150 SERIAL 15072538 & ON F150 SERIAL F15000739 & ON A150 SERIAL A1500265 & ON J---150 SERIAL 15071129 THRU 15075781 F150 SERIAL F15000530 THRU F15001143 A150 SERIAL A1500001 THRU A1500523 FA150 SERIAL FA1500001 THRU FA1500261</p>				
CONTINUED ON NEXT PAGE				

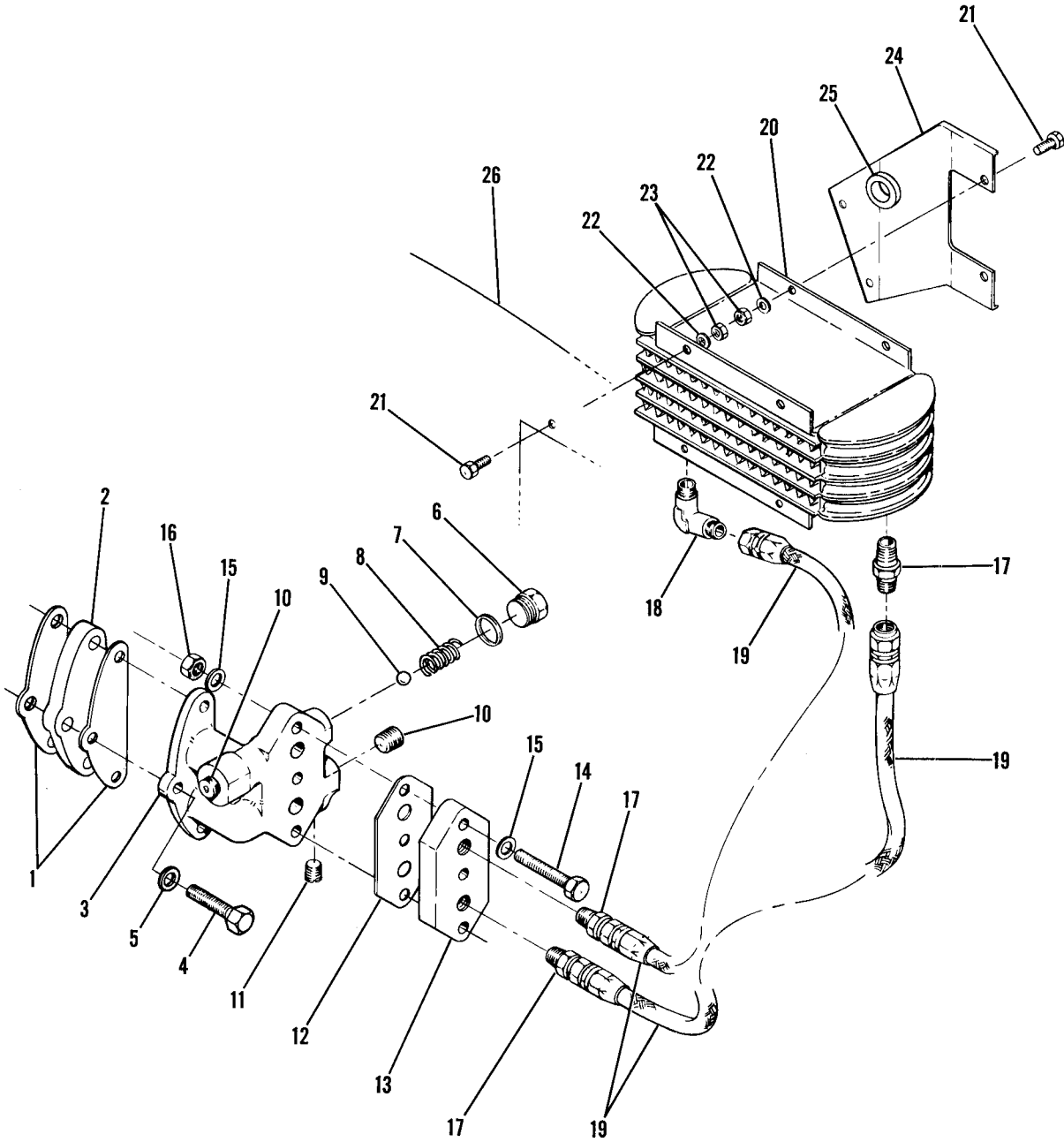


FIGURE AND INDEX NO.	PART NUMBER	DESCRIPTION	UNITS PER ASSY	USABLE ON CODE
56 -		<p style="text-align: center;">1 2 3 4 5 6 7</p> K---150 SERIAL 15075782 & ON F150 SERIAL F15001144 & ON A150 SERIAL A1500524 & ON FA150 SERIAL FA1500262 & ON L---150 SERIAL 15071129 THRU 15077005 F150 SERIAL F15000530 THRU F15001248 A150 SERIAL A1500001 THRU A1500609 FA150 SERIAL FA1500001 THRU FA1500281 M---150 SERIAL 15077006 & ON F150 SERIAL F15001249 & ON A150 SERIAL A1500610 & ON FA150 SERIAL FA1500282 & ON N---150 SERIAL 15075782 THRU 15078505 F150 SERIAL F15001144 THRU F15001338 A150 SERIAL A1500524 THRU A1500684 FA150 SERIAL FA1500262 THRU FA1500311 P---150 SERIAL 15071129 THRU 15078505 F150 SERIAL F15000530 THRU F15001338 A150 SERIAL A1500001 THRU A1500684 FA150 SERIAL FA1500001 THRU FA1500311 Q---150 SERIAL 15078506 & ON F150 SERIAL F15001339 & ON A150 SERIAL A1500685 & ON FA150 SERIAL FA1500312 & ON		

This page intentionally left blank.

FIGURE AND INDEX NO.	PART NUMBER	DESCRIPTION	UNITS PER ASSY	USABLE ON CODE
		1 2 3 4 5 6 7		
57 -		* ENGINE COMPONENTS & ASSOCIATED ACCESSORIES -----	NP	
- 1	628122	CARBURETOR AIR INTAKE HOUSING ASSEMBLY CM -----	1	
- 2	21323	GASKET-CARBURETOR AIR INTAKE TO CARBURETOR CM -----	1	
- 3	C294510-0201	FILTER-CARBURETOR AIR -----	1	
- 4	35923	GASKET-CARBURETOR AIR FILTER CM -----	1	
- 5	633028	CARBURETOR ASSEMBLY MARVEL 10-1494 CM -----	1	
- 6	21051	GASKET CARBURETOR TO ENGINE CM -----	1	
- 7	634464	STARTER WITHOUT CLUTCH CM -----	1	
- 8	634465	CLUTCH-STARTER CM -----	1	
- 9	352179	GASKET-STARTER TO ENGINE CM -----	1	
-10	C611501-0204	ALTERNATOR-60 AMP WITHOUT DRIVE -----	1	
	E05820	DRIVE ASSEMBLY-ALTERNATOR CM -----	1	
-11	35019	GASKET-ALTERNATOR TO ENGINE CM -----	1	
-12	C611001-0102	VOLTAGE REGULATOR 60 AMP -----	1	A
	C611001-0201	VOLTAGE REGULATOR 60 AMP -----	1	B
-13	633401	MAGNETO SLICK 4001 CM -----	2	
-14	36066	GEAR-MAGNETO DRIVE CM USED WITH 633401 ABOVE -----	2	
-15	633914	IGNITION HARNESS-RIGHT MAGNETO CM -----	1	
-16	633915	IGNITION HARNESS-LEFT MAGNETO CM -----	1	
-17	REM40E	SPARK PLUG-18MM CHAMPIGN -----	AR	
	SR88	SPARK PLUG-18MM AC -----	AR	
 --NOTE-- 				
THIS FIGURE IS NOT ILLUSTRATED				
NOTE. *THIS LISTING IS COMPILED TO PROVIDE PART NUMBERS OF COMMONLY USED ENGINE COMPONENTS AND ASSOCIATED ACCESSORIES. RELATIONSHIP OF THESE PARTS TO ENGINE OR AIRCRAFT ASSEMBLIES IS NOT INDICATED BY INDENTATION. THIS FIGURE IS NOT ILLUSTRATED. INDEX NUMBERS ARE PROVIDED FOR LOCATION OF LINE ON WHICH THE PART NUMBER APPEARS.				
 --NOTE-- 				
FOR ENGINE COMPONENTS NOT LISTED ON THIS FIGURE REFER TO CONTINENTAL PARTS CATALOG.				
A---150 SERIAL 15071129 THRU 15077005 F150 SERIAL F15000530 THRU F15001248 A150 SERIAL A1500001 THRU A1500609 FA150 SERIAL FA1500001 THRU FA1500281				
B---150 SERIAL 15077006 & ON F150 SERIAL F15001249 & ON A150 SERIAL A1500610 & ON FA150 SERIAL FA1500282 & ON				

Engine (Cont)



150 SERIAL 15078527 & ON
F150 SERIAL F15001379 & ON
A150 SERIAL A1500686 & ON

Figure 57A. Oil Cooler Installation



FIGURE AND INDEX NO.	PART NUMBER	DESCRIPTION	UNITS PER ASSY	USABLE ON CODE		
					1	2
57A-		OIL COOLER INSTALLATION -----	NP	A		
- 1	530642	GASKET CM -----	2			
- 2	0456003-5	SPACER -----	1			
- 3	4763	ADAPTOR-OIL COOLER CM ----- ATTACHING PARTS	1			
- 4	MS20074-05-12	BOLT -----	3			
- 5	AN960PD516L	WASHER ----- ---*---	3			
- 6	532432	PLUG CM -----	1			
- 7	AN900-10	GASKET -----	1			
- 8	2848	SPRING CM -----	1			
- 9	2849	BALL CM -----	1			
-10	401753	PLUG CM -----	2			
-11	2024	PLUG CM -----	1			
-12	0456003-1	GASKET -----	1			
-13	0450035-1	ADAPTOR-OIL COOLER ----- ATTACHING PARTS	1			
-14	AN6-16	BOLT -----	3			
-15	AN960PD616L	WASHER -----	6			
-16	MS21042L6	WASHER ----- ---*---	3			
-17	AN816-6-6D	NIPPLE -----	3			
-18	MS20822-6-6D	ELBOW -----	1			
-19	S1236-6-0094	HOSE ASSY -----	2			
-20	10578B	OIL COOLER SW ----- ATTACHING PARTS	1			
-21	AN3-4A	BOLT -----	6			
-22	AN960PD10L	WASHER -----	6			
-23	MS21045L3	NUT ----- ---*---	6			
-24	0456005-1	BRACKET-OIL COOLER -----	1			
-25	MS35489-20	GROMMET -----	1			
-26	SEE FIG 59A	BAFFLE ASSY-OIL COOLER -----	1			

A---150 SERIAL 15078527 & ON
 F150 SERIAL F15001379 & ON
 A150 SERIAL A1500686 & ON

Engine (Cont)

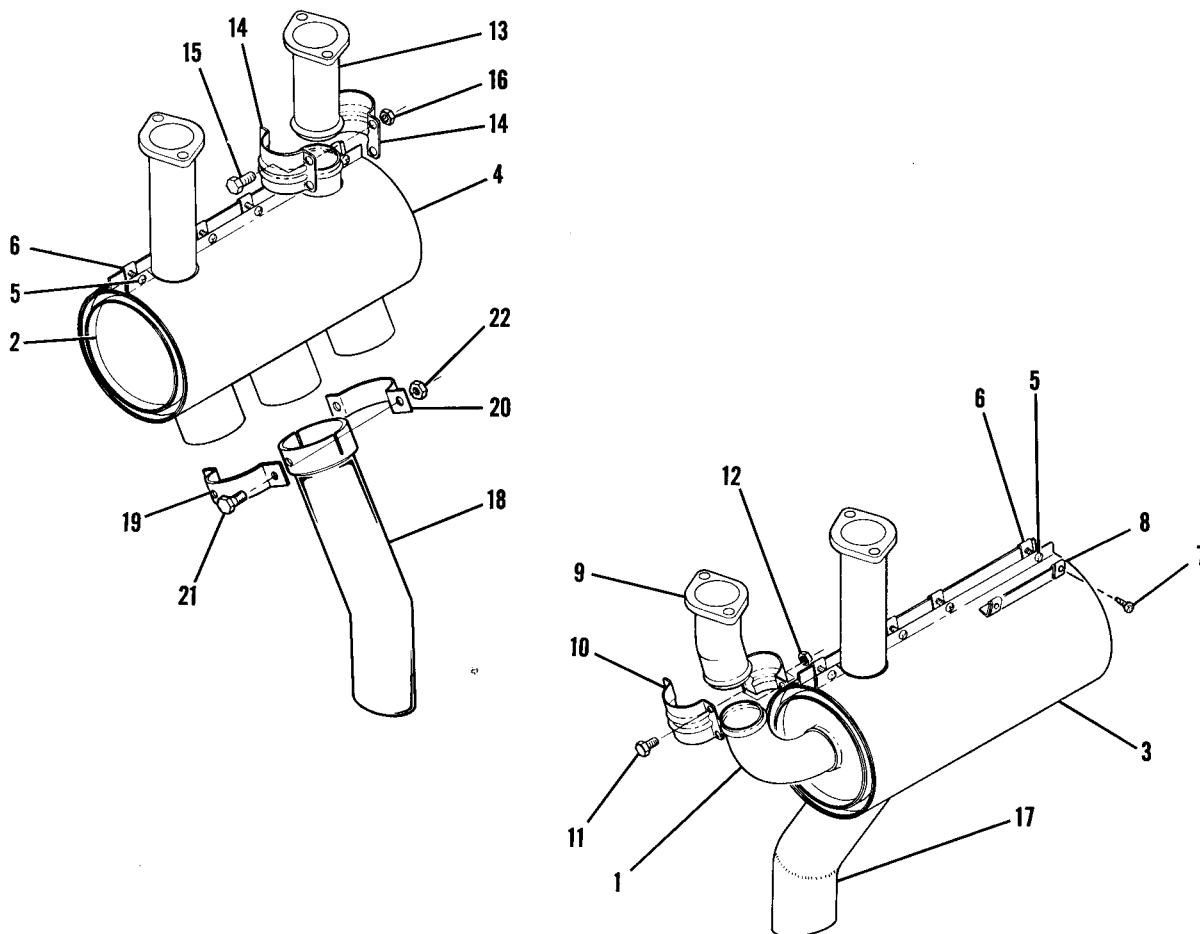
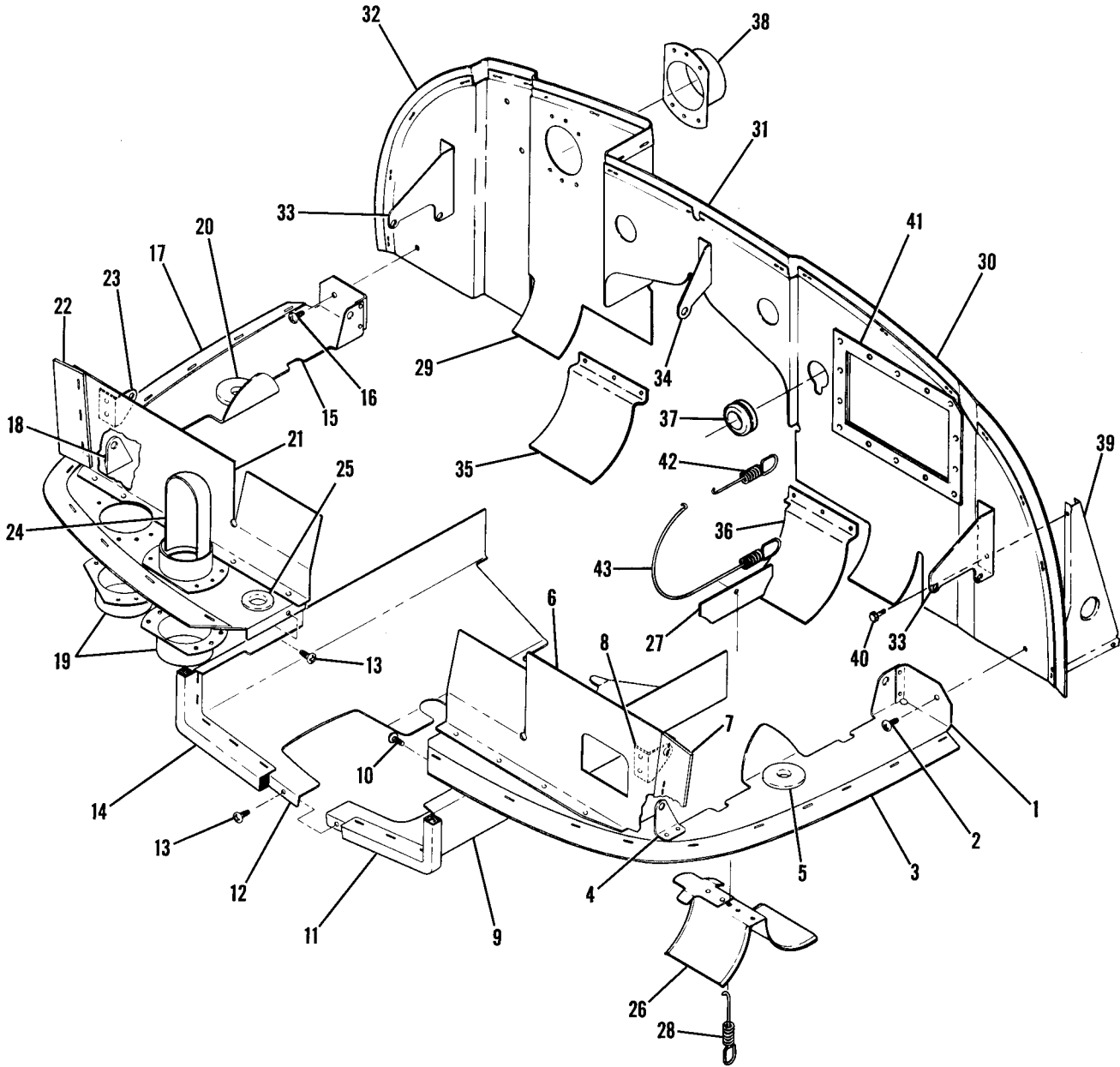


Figure 58. Exhaust Stack Assemblies

FIGURE AND INDEX NO.	PART NUMBER	DESCRIPTION	UNITS PER ASSY	USABLE ON CODE
58 -	0450400-21	EXHAUST STACK ASSEMBLY-LH -----	1	
	0450400-25	EXHAUST STACK ASSEMBLY-RH -----	1	
- 1	0450400-3	MUFFLER WELD ASSEMBLY-LH -----	1	
- 2	0450400-26	MUFFLER WELD ASSEMBLY-RH -----	1	
- 3	0450400-23	SHROUD ASSY-EXHAUST STACK LH -----	1	
- 4	0450400-6	SHROUD ASSY-EXHAUST STACK RH -----	1	
		ATTACHING PARTS		
- 5	S102128-20	SCREW -----	4	
- 6	NAS395-14-3	NUT -----	4	
- 7	S102128-6	SCREW LH SHROUD ONLY -----	2	
- 8	NAS395-14-3	NUT LH SHROUD ONLY -----	2	
		----*----		
- 9	0450338-69	RISER ASSEMBLY-LH WEU 0450338-76 -----	1	C
	0450338-76	RISER ASSEMBLY-LH -----	1	D
		ATTACHING PARTS		
-10	0550176-50	CLAMP ASSEMBLY INCLUDES BOTH HALVES -----	1	
-11	AN3-4A	BOLT -----	2	
-12	MS21045L3	NUT -----	2	
		----*----		
-13	0450338-70	STACK ASSEMBLY-RH WEU 0450338-74 -----	1	A
	0450338-74	STACK ASSEMBLY-RH -----	1	B
		ATTACHING PARTS		
-14	0550176-50	CLAMP ASSEMBLY INCLUDES BOTH HALVES -----	1	
-15	AN3-4A	BOLT -----	1	
-16	MS21045L3	NUT -----	1	
		----*----		
-17	0450338-67	TAILPIPE ASSEMBLY-LH -----	1	
-18	0450338-66	TAILPIPE ASSEMBLY-RH -----	1	
		ATTACHING PARTS		
-19	0450338-9	CLAMP HALF ASSEMBLY -----	1	
-20	0450338-10	CLAMP HALF -----	1	
-21	AN4-3A	BOLT -----	2	
-22	MS21042L4	NUT -----	2	
		----*----		
		A---150 SERIAL 15071129 THRU 15073487 F150 SERIAL F15000530 THRU F15000833 A150 SERIAL A1500001 THRU A1500334 FA150 SERIAL FA1500001 THRU FA1500166		
		B---150 SERIAL 15073488 & ON F150 SERIAL F15000834 & ON A150 SERIAL A1500335 & ON FA150 SERIAL FA1500167 & ON		
		C---150 SERIAL 15071129 THRU 15074879 F150 SERIAL F15000530 & ON A150 SERIAL A1500001 THRU A1500419 FA150 SERIAL FA1500001 & ON		
		D---150 SERIAL 15074880 & ON A150 SERIAL A1500420 & ON		

Engine (Cont)

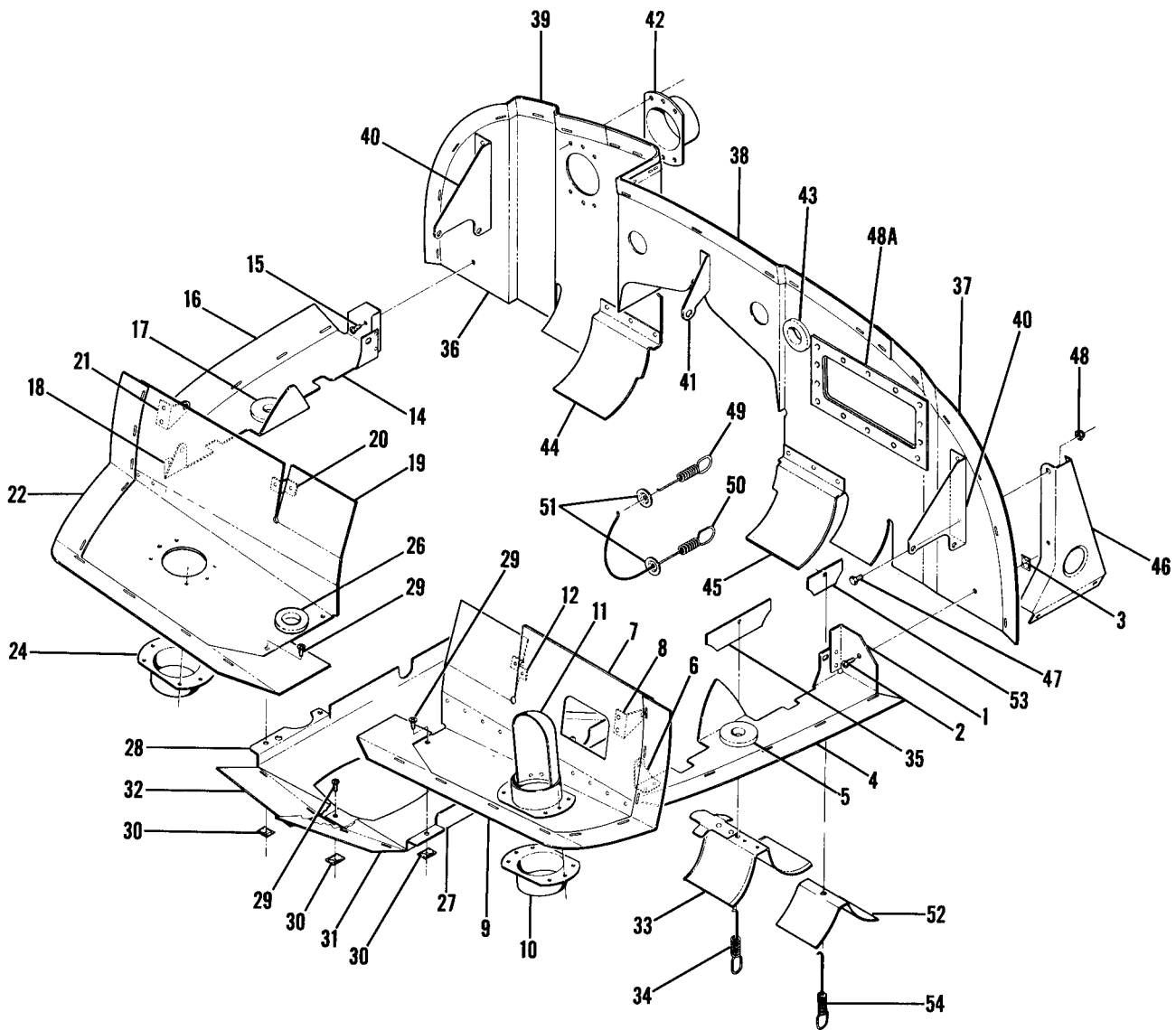


150 SERIAL 15071129 THRU 15072003
F150 SERIAL F15000530 THRU F15000658
A150 SERIAL A1500001 THRU A1500226
FA150 SERIAL FA1500001 THRU FA1500081

Figure 59. Engine Baffles Installation

FIGURE AND INDEX NO.	PART NUMBER	DESCRIPTION	UNITS PER ASSY	USABLE ON CODE
		1 2 3 4 5 6 7		
59 -		BAFFLES INSTALLATION-ENGINE -----	NP	A
- 1	0450502-31	BAFFLE ASSEMBLY-LEFT CYLINDER -----	1	
		ATTACHING PARTS -----		
- 2	S1021Z8-6	SCREW -----	1	
	NAS446-4-3	NUT -----	1	
		-----*		
- 3	0450502-12	SEAL-LEFT CYLINDER BAFFLE -----	1	
- 4	0450507-1	BRACKET-LEFT CYLINDER BAFFLE -----	1	
- 5	MS35489-15	GROMMET -----	1	
- 6	0450303-1	BAFFLE ASSEMBLY-LEFT CYLINDER VERTICAL -----	1	
- 7	0450303-3	SEAL-VERTICAL BAFFLE -----	1	
- 8	0450302-3	BRACKET -----	1	
- 9	0450502-23	BAFFLE ASSEMBLY-LOWER CASE LH -----	1	
		ATTACHING PARTS -----		
-10	S1021Z8-6	SCREW -----	1	
	NAS446-4-3	NUT -----	1	
		-----*		
-11	0450234-29	RUB STRIP-LEFT LOWER BAFFLE -----	1	
-12	0450502-22	BAFFLE ASSEMBLY-LOWER CASE RH -----	1	
		ATTACHING PARTS -----		
-13	S1021Z8-6	SCREW -----	2	
	NAS446-4-3	NUT -----	2	
		-----*		
-14	0450234-29	RUB STRIP-RIGHT LOWER BAFFLE -----	1	
-15	0450502-32	BAFFLE ASSEMBLY-RIGHT CYLINDER -----	1	
	SEE FIG 54	BAFFLE ASSEMBLY-RIGHT CYLINDER USED WITH -----	1	
		WINTERIZATION INSTALLATION ONLY -----		
		ATTACHING PARTS -----		
-16	S1021Z8-6	SCREW -----	1	
	NAS446-4-3	NUT -----	1	
		-----*		
-17	0450502-13	SEAL-RIGHT CYLINDER BAFFLE -----	1	
-18	0450163-1	BRACKET-RIGHT CYLINDER BAFFLE -----	1	
-19	0450262	UNION-RIGHT CYLINDER BAFFLE -----	2	
-20	MS35489-15	GROMMET -----	1	
-21	0450302-1	BAFFLE ASSEMBLY-RIGHT CYLINDER VERTICAL -----	1	
-22	0450302-4	SEAL-VERTICAL BAFFLE -----	1	
-23	0450302-3	BRACKET -----	1	
-24	0450266-1	SCOOP ASSEMBLY-CABIN HEAT -----	1	
-25	MS35489-17	GROMMET -----	1	
-26	0450322	BAFFLE-INTER CYLINDER LH -----	1	
	0450322-1	BAFFLE-INTER CYLINDER RH -----	1	
-27	0450210	SUPPORT-INTER CYLINDER BAFFLE -----	2	
-28	0450211-1	FASTENER-INTER CYLINDER BAFFLE -----	2	
-29	0450502-36	BAFFLE ASSEMBLY-VERTICAL REAR -----	1	
	0450502-38	BAFFLE ASSEMBLY-VERTICAL REAR FLOATPLANE ONLY -----	1	
-30	0450502-28	SEAL-REAR BAFFLE LH -----	1	
-31	0450502-29	SEAL-REAR BAFFLE CENTER -----	1	
-32	0450502-30	SEAL-REAR BAFFLE RH -----	1	
-33	0450215-1	BRACKET-REAR BAFFLE -----	2	
-34	0450506-1	BRACKET-REAR BAFFLE -----	1	
-35	0450502-24	DEFLECTOR-RH -----	1	
-36	0450502-25	DEFLECTOR-LH -----	1	
-37	MS35489-20	GROMMET-REAR BAFFLE -----	2	
-38	0450262	UNION-ALTERNATOR BLAST TUBE -----	1	
-39	0450345-1	BRACE-REAR BAFFLE -----	1	
		ATTACHING PARTS -----		
-40	AN4-4A	BOLT -----	1	
	MS21042L4	NUT -----	1	
		-----*		
-41	0450034-1	DOUBLER-REAR BAFFLE FLOATPLANE ONLY -----	1	
-42	0450277-5	FASTENER-REAR BAFFLE -----	2	
-43	0450277-8	FASTENER-REAR BAFFLE -----	2	
	S290-832	WASHER -----	4	
		A---150 SERIAL 15071129 THRU 15072003 F150 SERIAL F15000530 THRU F15000658 A150 SERIAL A1500001 THRU A1500226 FA150 SERIAL FA1500001 THRU FA1500081		

Engine (Cont)

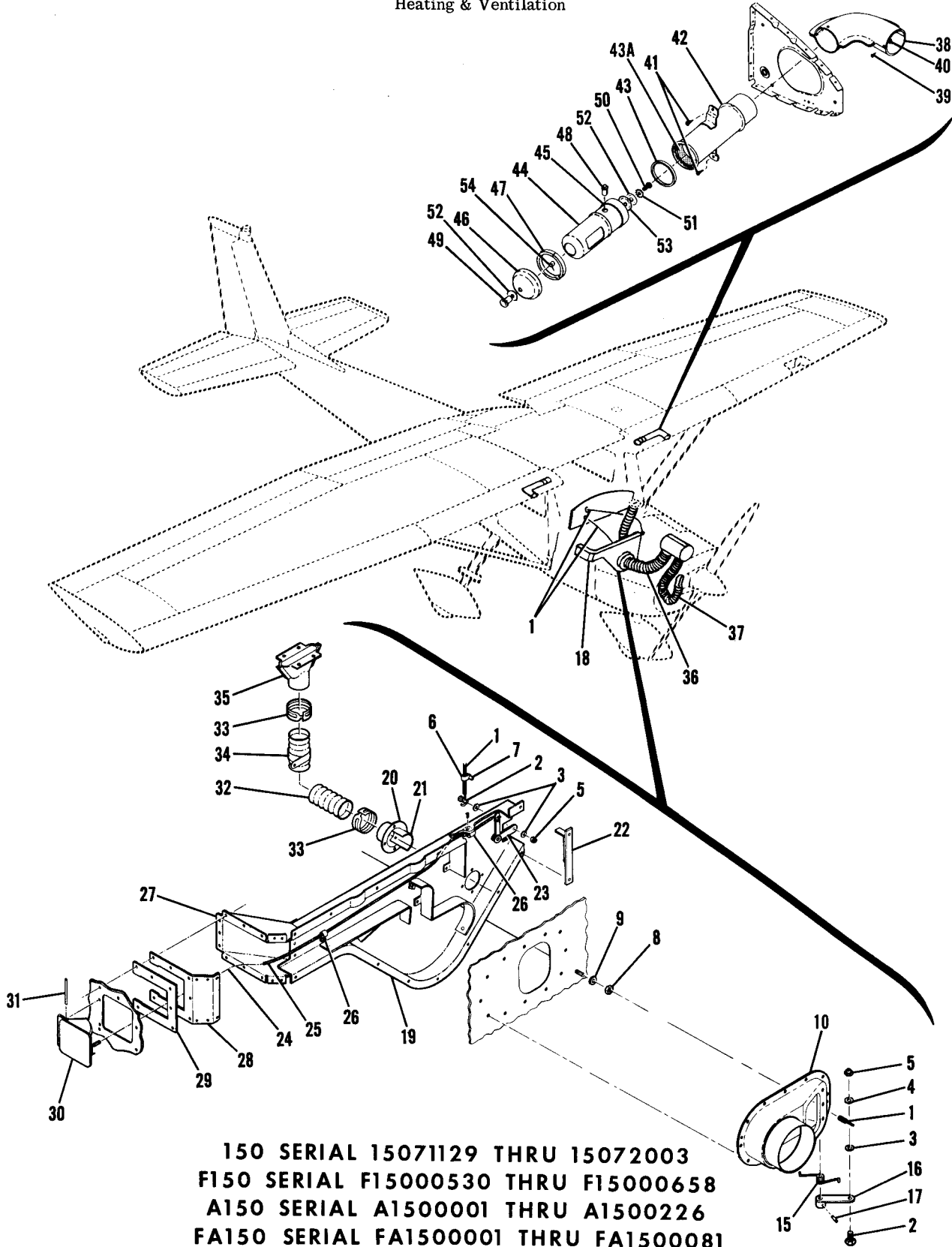


150 SERIAL 15072004 & ON
F150 SERIAL F15000659 & ON
A150 SERIAL A1500227 & ON
FA150 SERIAL FA1500082 & ON

Figure 59A. Engine Baffles Installation

FIGURE AND INDEX NO.	PART NUMBER	DESCRIPTION	UNITS PER ASSY	USABLE ON CODE
		1 2 3 4 5 6 7		
59A-		ENGINE BAFFLES INSTALLATION -----	NP	A
- 1	0455001-3	BAFFLE ASSEMBLY-HORIZONTAL LH -----	1	
		ATTACHING PARTS -----		
- 2	S102128-6	SCREW -----	1	
- 3	NAS446-4-3	NUT -----	1	
		-----*		
- 4	0455001-7	SEAL -----	1	
- 5	MS35489-15	GROMMET -----	1	
- 6	0450507-1	BRACKET -----	1	
- 7	0455000-5	BAFFLE ASSEMBLY-VERTICAL LH -----	1	
- 8	0450302-3	BRACKET -----	1	
- 9	0455000-7	SEAL-ENGINE BAFFLE -----	1	
-10	0450262	UNION -----	1	
-11	0450266-1	SCOOP ASSEMBLY -----	1	
-12	0450303-4	BRACKET -----	1	
-13		DELETED, NEVER USED -----		
-14	0455001-2	BAFFLE ASSEMBLY-HORIZONTAL RH -----	1	
		ATTACHING PARTS -----		
-15	S102128-6	SCREW -----	1	
	NAS446-4-3	NUT -----	1	
		-----*		
-16	0455001-8	SEAL -----	1	
-17	MS35489-15	GROMMET -----	1	
-18	0450163-1	BRACKET -----	1	
-19	0455001-4	BAFFLE ASSEMBLY-VERTICAL RH -----	1	
	SEE FIG 54A	BAFFLE ASSEMBLY-VERTICAL RH USED WITH -----	1	
		WINTERIZATION INSTALLATION ONLY -----		
-20	0450303-5	BRACKET -----	1	
-21	0450302-3	BRACKET -----	1	
-22	0455001-10	SEAL -----	1	
-23		DELETED, NEVER USED -----		
-24	0450262	UNION -----	1	
-25		DELETED, NEVER USED -----		
-26	MS35489-17	GROMMET -----	1	
-27	0455000-11	BAFFLE ASSEMBLY-LOWER LH -----	1	
-28	0455000-4	BAFFLE ASSEMBLY-LOWER RH -----	1	
		ATTACHING PARTS -----		
-29	S102128-8	SCREW -----	3	
-30	NAS446-4-3	NUT -----	3	
		-----*		
-31	0455000-13	SEAL-LH -----	1	
-32	0455000-6	SEAL-RH -----	1	
-33	0450322	BAFFLE-INTER CYLINDER LH -----	1	
	0450322-1	BAFFLE-INTER CYLINDER RH -----	1	
-34	0450211-1	FASTENER-INTER CYLINDER BAFFLE -----	2	
-35	0450210	SUPPORT-INTER CYLINDER BAFFLE -----	2	
-36	0450502-42	BAFFLE ASSEMBLY-VERTICAL REAR -----	1	
	0450502-44	BAFFLE ASSEMBLY-VERTICAL REAR USED WITH OIL COOLER -----	1	B
-37	0450502-28	SEAL-REAR BAFFLE LH -----	1	
-38	0450502-29	SEAL-REAR BAFFLE CENTER -----	1	
-39	0450502-30	SEAL-REAR BAFFLE RH -----	1	
-40	0450215-1	BRACKET-REAR BAFFLE -----	2	
-41	0450506-1	BRACKET-REAR BAFFLE -----	1	
-42	0450262	UNION-ALTERNATOR BLAST TUBE -----	1	
-43	MS35489-20	GROMMET -----	2	
-44	0450502-24	DEFLECTOR-RH -----	1	
-45	0450502-25	DEFLECTOR-LH -----	1	
-46	0450345-1	BRACE-REAR BAFFLE -----	1	
		ATTACHING PARTS -----		
-47	AN4-4A	BOLT -----	1	
-48	MS21042L4	NUT -----	1	
		-----*		
-48A	0456006-1	DOUBLER-REAR BAFFLE USED WITH OIL COOLER -----	1	B
-49	0450277-5	FASTENER-REAR BAFFLE -----	2	
-50	0450277-8	FASTENER-REAR BAFFLE -----	2	
-51	S290-832	WASHER -----	4	
-52	0450171	BAFFLE-INTER HEAD -----	2	
-53	0450209	SUPPORT-INTER HEAD BAFFLE -----	2	
-54	0450211-2	FASTENER-INTER HEAD BAFFLE -----	2	
		A---150 SERIAL 15072004 & ON F150 SERIAL F15000659 & ON A150 SERIAL A1500227 & ON FA150 SERIAL FA1500082 & ON		
		B---150 SERIAL 15078506 & ON F150 SERIAL F15001339 & ON A150 SERIAL A1500685 & ON		

Heating & Ventilation



150 SERIAL 15071129 THRU 15072003
 F150 SERIAL F15000530 THRU F15000658
 A150 SERIAL A1500001 THRU A1500226
 FA150 SERIAL FA1500001 THRU FA1500081

Figure 60. Cabin Heating & Ventilating System Installation

FIGURE AND INDEX NO.	PART NUMBER	DESCRIPTION	UNITS PER ASSY	USABLE ON CODE
		1 2 3 4 5 6 7		
60 -		CABIN HEATING & VENTILATING SYSTEM INSTALLATION -----	NP	A
- 1	S1239-46	CONTROL ASSEMBLY-CABIN HEAT & CABIN AIR -----	2	
		ATTACHING PARTS -----		
- 2	0450311	CLAMP -----	1	
- 3	AN960-10	WASHER -----	2	
- 4	AN960-10L	WASHER -----	1	
- 5	MS20365-1032C	NUT -----	1	
		---*---		
- 6	S1485D3U	CLAMP -----	1	
		ATTACHING PARTS -----		
- 7	S1021Z8-12	SCREW -----	1	
	NAS43DD3-22	SPACER -----	1	
		---*---		
- 8	S1283-1	NUT -----	2	
- 9	AN960-10L	WASHER -----	1	
-10	0453006-3	VALVE ASSEMBLY-CABIN HEATER -----	1	
-11		DELETED, NOT AVAILABLE -----		
-12		DELETED, NOT AVAILABLE -----		
-13		DELETED, NOT AVAILABLE -----		
-14		DELETED, NOT AVAILABLE -----		
-15	1253041-1	SPRING -----	1	
-16	1253037-1	ARM ASSEMBLY -----	1	
-17	NAS561C2-8	ROLL PIN -----	1	
-18	0453002-26	HEATER ASSEMBLY-CABIN -----	NP	
-19	0453002-25	DISTRIBUTOR ASSEMBLY -----	1	
-20	0453002-16	SPOUT-DEFROSTER -----	1	
-21	0453010-1	INSERT-HEATER SPOUT -----	1	
-22	0453002-4	DEFLECTOR-CABIN HEATER -----	1	
-23	0453002-24	BELLCRANK -----	1	
-24	S1398-1	WIRE-21.10 IN LG BULK ITEM REF S1398-1-21.10 -----	1	
-25	S1398-2	CASING-15.60 IN LG BULK ITEM REF S1398-2-15.60 -----	1	
		ATTACHING PARTS -----		
-26	S1485D3U	CLAMP -----	2	
	S1021Z8-8	SCREW -----	2	
		---*---		
-27	0453002-5	SCOOP -----	1	
-28	0453002-6	DOUBLER -----	1	
-29	0453002-10	SEAL -----	1	
-30	0453002-7	DOOR ASSEMBLY-CABIN AIR -----	1	
-31	MS20253P1-164	PIN-HINGE -----	1	
-32	S1053E10T	HOSE-28.00 IN LG BKI REF S1053E10T-28.00 -----	1	
		ATTACHING PARTS -----		
-33	NAS397-22	CLAMP -----	2	
-34	S1485D20U	CLAMP -----	1	
		---*---		
-35	0413452-1	NOZZLE ASSEMBLY-DEFROSTER -----	1	
-36	S1053K24T	HOSE-HEATER VALVE TO LH SHROUD 30.00 IN LG -----	1	
		BULK ITEM REF S1053K24T30.00 -----		
		ATTACHING PARTS -----		
	NAS398-50	CLAMP -----	2	
	MS21919DG48	CLAMP ATTACH HOSE TO NOSE GEAR -----	1	
	MS21919DG36	CLAMP ATTACH HOSE TO NOSE GEAR -----	1	
	AN520-10R10	SCREW ATTACH HOSE TO NOSE GEAR -----	1	
	AN960-10L	WASHER ATTACH HOSE TO NOSE GEAR -----	1	
	MS21044N3	NUT ATTACH HOSE TO NOSE GEAR -----	1	
		---*---		
-37	S1053E16T	HOSE-LH SHROUD TO RH BAFFLE 27.00 IN LG -----	1	
		BULK ITEM REF S1053E16T27.0 -----		
		ATTACHING PARTS -----		
	NAS397-34	CLAMP -----	2	
	0550100-11	BRACKET ATTACH HOSE AT CARBURETOR -----	1	
	AN942D34	CLAMP ATTACH HOSE AT CARBURETOR -----	1	
	AN520-10R8	SCREW ATTACH HOSE AT CARBURETOR -----	1	
	MS21044N3	NUT ATTACH HOSE AT CARBURETOR -----	1	
		---*---		
-38	0413233	ELBOW ASSEMBLY-CABIN AIR VENT -----	2	
		ATTACHING PARTS -----		
-39	S1021Z8-6	SCREW -----	1	
-40	NAS446-4-3	NUT -----	1	
		---*---		
CONTINUED ON NEXT PAGE				

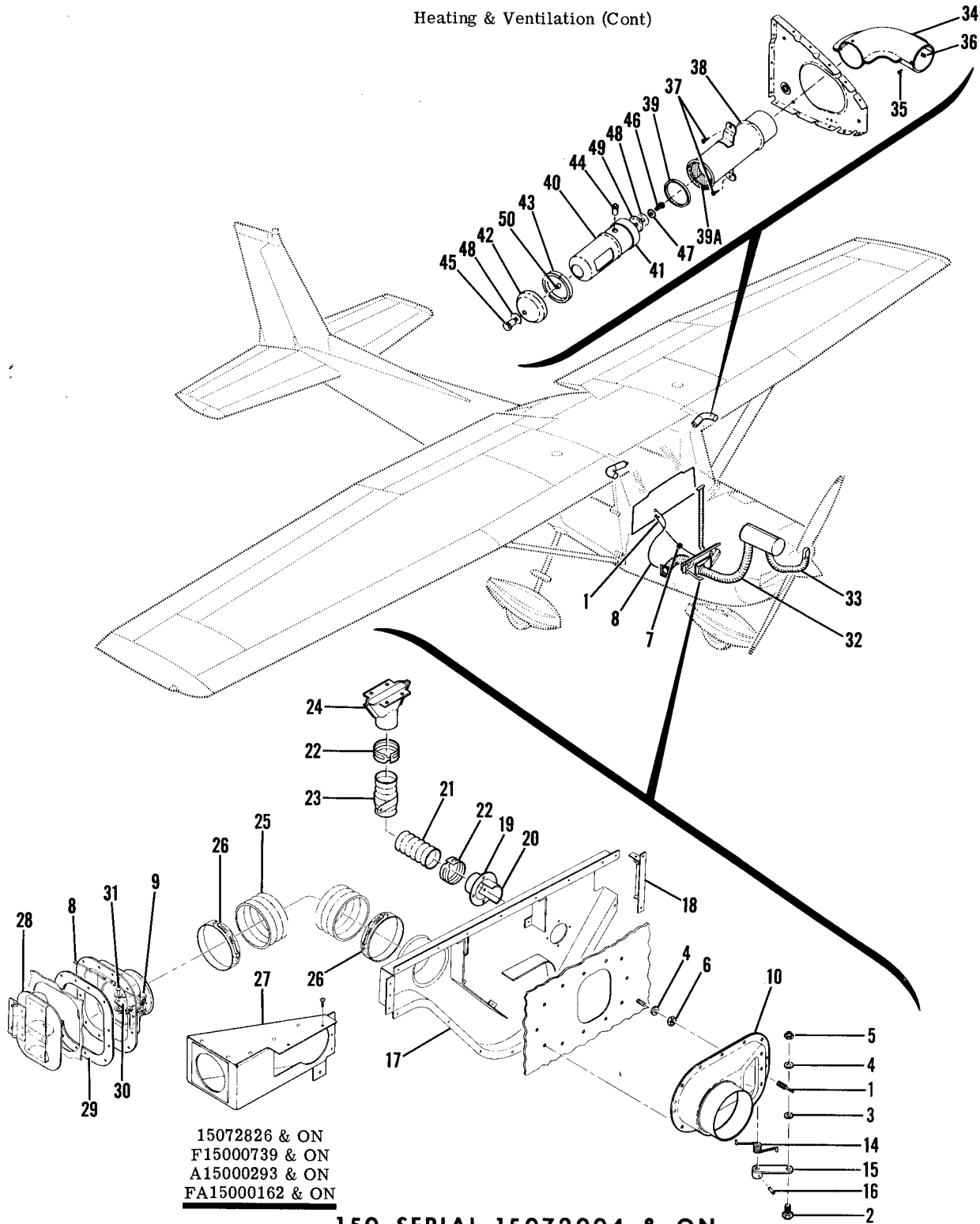


FIGURE AND INDEX NO.	PART NUMBER	DESCRIPTION	UNITS PER ASSY	USABLE ON CODE
60 -	0413163-23	OUTLET ASSEMBLY-CABIN AIR LH -----	1	
	0413163-24	OUTLET ASSEMBLY-CABIN AIR RH -----	1	
		ATTACHING PARTS		
-41	S102128-6	SCREW -----	2	
		-----*		
-42	0413163-8	TUBE ASSEMBLY-LH -----	1	
	0413163-9	TUBE ASSEMBLY-RH -----	1	
-43	0413163-7	SEAL-FELT -----	1	
-43A	0413163-47	SEAL -----	1	
-44	0413163-18	OUTLET ASSEMBLY -----	1	
-45	0413163-43	SEAL -----	1	
	0413163-11	CAP ASSEMBLY-AIR OUTLET -----	1	
-46	0413257	CAP -----	1	
-47	S1441-2	SEAL-6.56 IN LG BULK ITEM REF S1441-2-6.56 -----	1	
-48	0413203	CATCH-BULLET WHEN EXHAUSTED USE S2024-1 -----	2	
	S2024-1	CATCH -----	2	
-49	0713303-2	KNOB-CAP -----	1	
		ATTACHING PARTS		
-50	AN515-8R8	SCREW -----	1	
-51	AN936A8	WASHER -----	1	
-52	0413228	WASHER -----	2	
-53	0413347-1	WASHER -----	1	
-54	NAS43003-5	SPACER -----	1	
		-----*		
		A---150 SERIAL 15071129 THRU 15072003		
		F150 SERIAL F15000530 THRU F15000658		
		A150 SERIAL A1500001 THRU A1500226		
		FA150 SERIAL FA1500001 THRU FA1500081		



FIGURE AND INDEX NO.	PART NUMBER	DESCRIPTION	UNITS PER ASSY	USABLE ON CODE
60A-		1 2 3 4 5 6 7		
- 1	S1239-46	CABIN HEATING & VENTILATING SYSTEM INSTALLATION ----- CONTROL ASSEMBLY-CABIN HEAT ----- ATTACHING PARTS	NP 1	A
- 2	0450311	CLAMP -----	1	
- 3	AN960-10	WASHER -----	1	
- 4	AN960-10L	WASHER -----	2	
- 5	MS20365-1032C	NUT -----	1	
- 6	S1283-1	NUT -----	2	
- 7	S1485D3U	CLAMP -----	1	
	S1021Z8-10	SCREW ----- -----*	1	
- 8	S1239-46	CONTROL ASSEMBLY-CABIN AIR ----- ATTACHING PARTS	1	
- 9	0450311-5	CLAMP -----	1	
	AN960-10	WASHER -----	1	
	MS21044N3	NUT ----- -----*	1	
-10	0453006-3	VALVE ASSEMBLY-CABIN HEATER -----	1	
-11		DELETED, NOT AVAILABLE -----		
-12		DELETED, NOT AVAILABLE -----		
-13		DELETED, NOT AVAILABLE -----		
-14	1253041-1	SPRING -----	1	
-15	1253037-1	ARM ASSEMBLY -----	1	
-16	NAS561C2-8	ROLL PIN -----	1	
-17	0453002-27	DISTRIBUTOR ASSEMBLY-CABIN HEATER -----	1	B
	0453002-31	DISTRIBUTOR ASSEMBLY-CABIN HEATER -----	1	C
-18	0453002-4	DEFLECTOR-CABIN HEATER -----	1	
-19	0453002-16	SPOUT-DEFROSTER -----	1	
-20	0453010-1	INSERT-SPOUT -----	1	
-21	S1053E10T	HOSE-28.00 IN LG BKI REF S1053E10T-28.00 ----- ATTACHING PARTS	1	
-22	NAS397-22	CLAMP -----	2	
-23	S1485D20U	CLAMP ----- -----*	1	
-24	0413452-1	NOZZLE ASSEMBLY-DEFROSTER -----	1	
-25	S1053E20T	HOSE-11.0 IN LG BKI REF S1053E20T-11.0 ----- ATTACHING PARTS	1	B
-26	NAS398-42	CLAMP ----- -----*	2	B
-27	0413518-1	DUCT ASSEMBLY-AIR VALVE ----- ATTACHING PARTS	1	C
	AN515-8R6	SCREW ----- -----*	4	C
CONTINUED ON NEXT PAGE				

Heating & Ventilation (Cont)



**150 SERIAL 15072004 & ON
 F150 SERIAL F15000659 & ON
 A150 SERIAL A1500227 & ON
 FA150 SERIAL FA1500082 & ON**

Figure 60A. Cabin Heating & Ventilating System Installation

FIGURE AND INDEX NO.	PART NUMBER	DESCRIPTION	UNITS PER ASSY	USABLE ON CODE
		1 2 3 4 5 6 7		
60A-	1213475-2	INLET ASSEMBLY-COLD AIR -----	1	
-28	1213478-1	DOOR ASSY-COLD AIR INLET -----	1	
-29	1213483-1	SEAL -----	1	
-30	1213482-1	LEVER -----	1	
		ATTACHING PARTS		
-31	MS20392-1-7	PIN -----	2	
	AN960-6L	WASHER -----	1	
	AN960-4L	WASHER -----	AR	
	MS24665-132	PIN-COTTER -----	2	
		-----*		
-32	S1053K24T	HOSE-HEATER VALVE TO LH SHROUD 30.00 IN LG -----	1	
		BULK ITEM REF S1053K24T30.00		
		ATTACHING PARTS		
	NAS398-50	CLAMP -----	2	
	MS21919DG48	CLAMP ATTACH HOSE TO NOSE GEAR -----	1	
	MS21919DG36	CLAMP ATTACH HOSE TO NOSE GEAR -----	1	
	AN520-10R10	SCREW ATTACH HOSE TO NOSE GEAR -----	1	
	AN960-10L	WASHER ATTACH HOSE TO NOSE GEAR -----	1	
	MS21044N3	NUT ATTACH HOSE TO NOSE GEAR -----	1	
		-----*		
-33	S1053E16T	HOSE-LH SHROUD TO LH BAFFLE 20.00 IN LG -----	1	
		BULK ITEM REF S1053E16T20.00		
		ATTACHING PARTS		
	NAS397-34	CLAMP -----	2	
		-----*		
-34	0413233	ELBOW ASSEMBLY-CABIN AIR VENT -----	2	
		ATTACHING PARTS		
-35	S1021Z8-6	SCREW -----	1	
-36	NAS446-4-3	NUT -----	1	
		-----*		
	0413163-23	OUTLET ASSEMBLY-CABIN AIR LH -----	1	
	0413163-24	OUTLET ASSEMBLY-CABIN AIR RH -----	1	
		ATTACHING PARTS		
-37	S1021Z8-6	SCREW -----	2	
		-----*		
-38	0413163-8	TUBE ASSEMBLY-LH -----	1	
	0413163-9	TUBE ASSEMBLY-RH -----	1	
-39	0413163-7	SEAL-FELT -----	1	
-39A	0413163-47	SEAL -----	1	
-40	0413163-18	OUTLET ASSEMBLY -----	1	
-41	0413163-43	SEAL -----	1	
	0413163-11	CAP ASSEMBLY-AIR OUTLET -----	1	
-42	0413257	CAP -----	1	
-43	S1441-2	SEAL-6.56 IN LG BULK ITEM REF S1441-2-6.56 -----	1	
-44	S2024-1	CATCH -----	2	
-45	0713303-2	KNOB-CAP -----	1	
		ATTACHING PARTS		
-46	AN515-8R8	SCREW -----	1	
-47	AN936A8	WASHER -----	1	
-48	0413228	WASHER -----	2	
-49	0413347-1	WASHER -----	1	
-50	NAS43DD3-5	SPACER -----	1	
		-----*		
		A---150 SERIAL 15072004 & ON F150 SERIAL F15000659 & ON A150 SERIAL A1500227 & ON FA150 SERIAL FA1500082 & ON		
		B---150 SERIAL 15072004 THRU 15072825 F150 SERIAL F15000659 THRU F15000738 A150 SERIAL A1500227 THRU A1500292 FA150 SERIAL FA1500082 THRU FA1500161		
		C---150 SERIAL 15072826 & ON F150 SERIAL F15000739 & ON A150 SERIAL A1500293 & ON FA150 SERIAL FA1500162 & ON		

Control Pedals

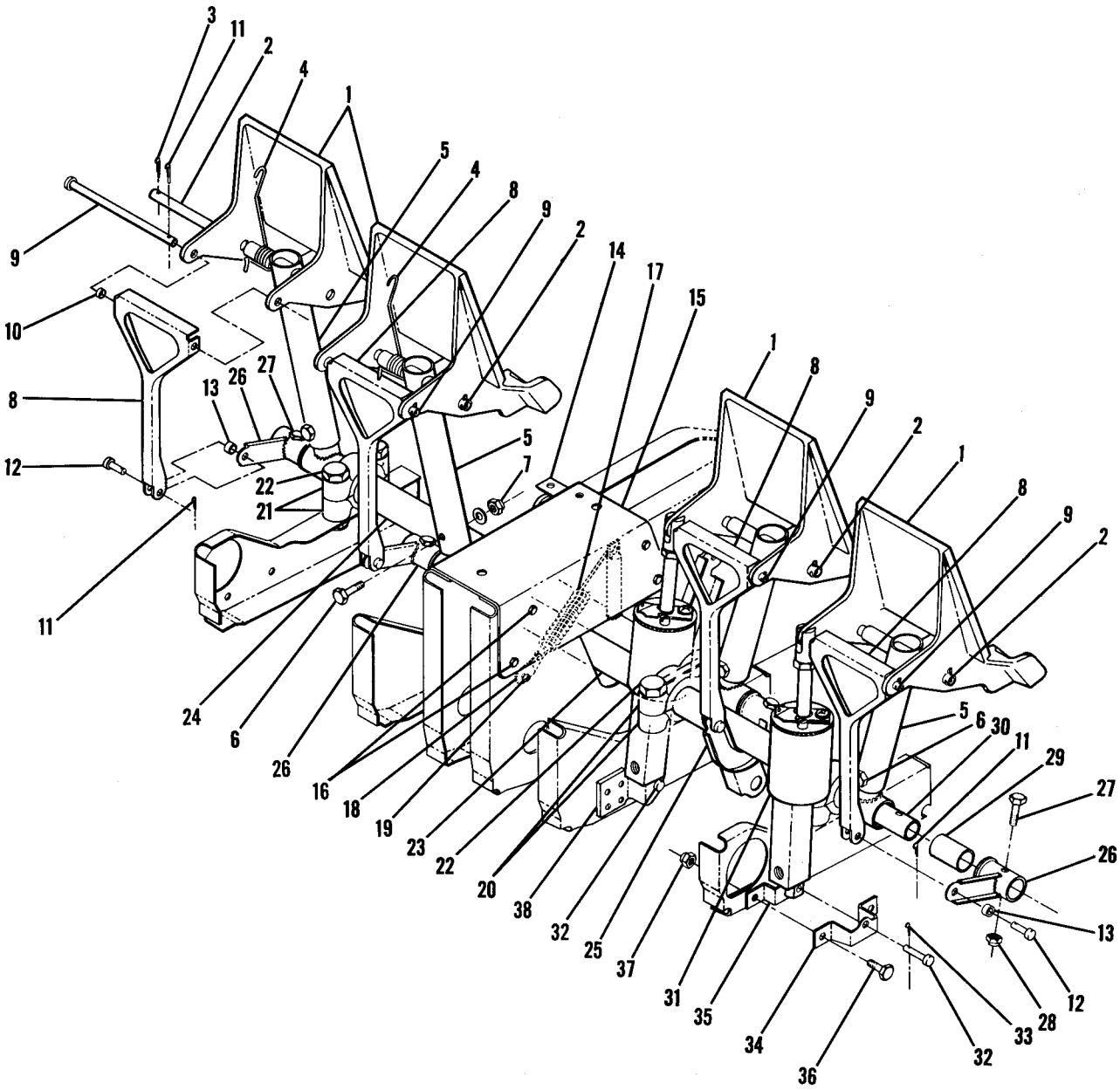
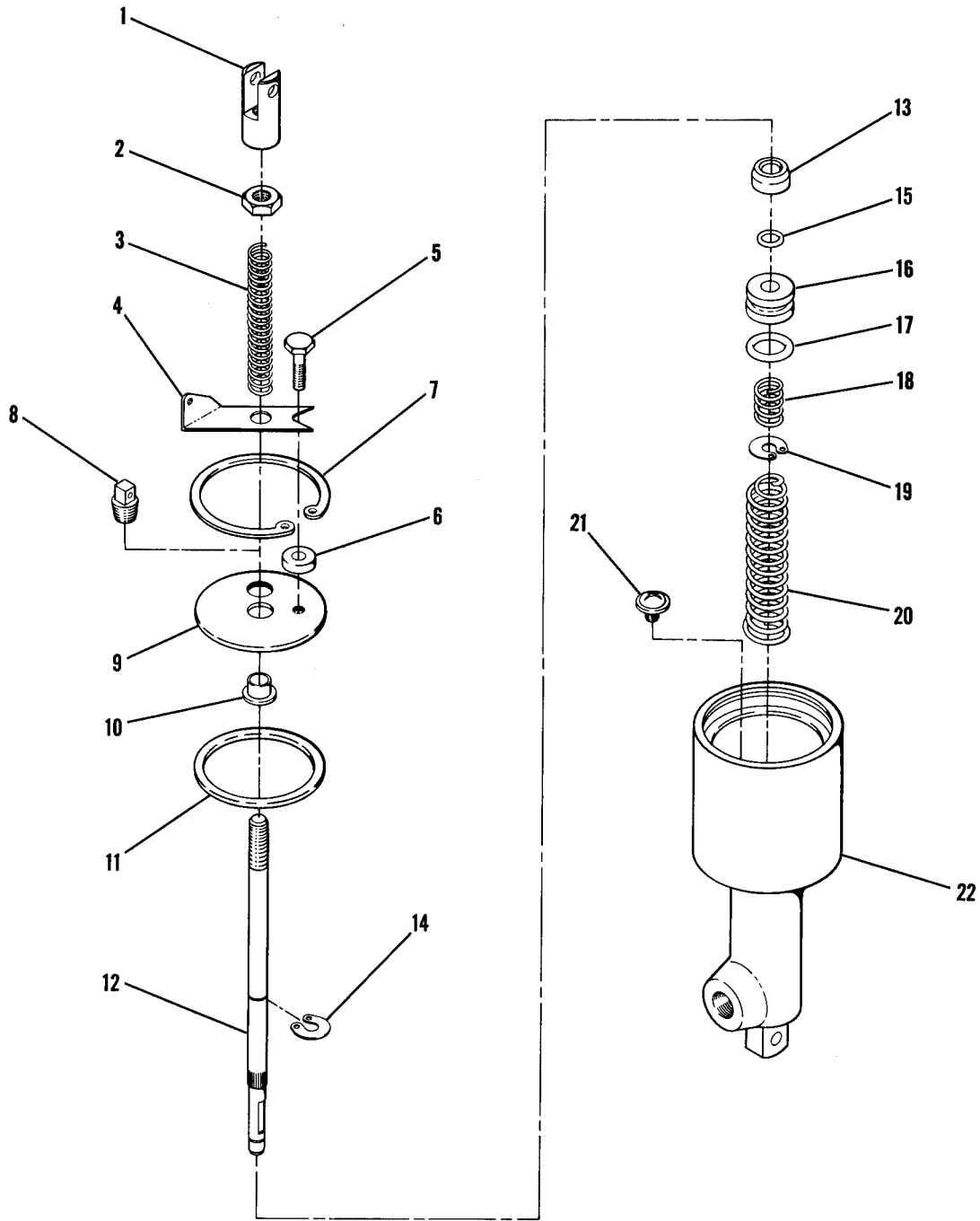


Figure 61. Rudder & Brake Pedal Installation



FIGURE AND INDEX NO.	PART NUMBER	DESCRIPTION	UNITS PER ASSY	USABLE ON CODE
61 -		PEDAL INSTALLATION-RUDDER & BRAKE -----	NP	
- 1	1460320-1	PEDAL-BRAKE & RUDDER -----	4	
		ATTACHING PARTS -----		
- 2	1460501-21	SHAFT -----	1	
- 3	MS24665-281	PIN-COTTER -----	2	
		-----*		
- 4	1460505-1	SPRING RH PEDALS ONLY -----	2	
- 5	0411307	ARM ASSEMBLY-RUDDER PEDAL -----	4	
		ATTACHING PARTS -----		
- 6	AN3-12A	BOLT -----	1	
	AN960-10	WASHER -----	1	
- 7	MS21044N3	NUT -----	1	
		-----*		
- 8	0411564	LINK-DUAL BRAKES -----	4	
		ATTACHING PARTS -----		
- 9	0411778-2	SHAFT -----	1	
-10	NAS42HT6-8	SPACER RH PEDALS ONLY -----	1	
-11	MS24665-132	PIN-COTTER -----	2	
-12	MS20392-2C13	PIN -----	1	
-13	NAS43HT3-12	SPACER -----	1	
		-----*		
-14	0400312-1	ANGLE -----	1	
		ATTACHING PARTS -----		
	AN3-4A	BOLT -----	1	
		-----*		
-15	0411286	STIFFENER-CONTROL Y BULKHEAD -----	1	
		ATTACHING PARTS -----		
-16	AN3-3A	BOLT -----	9	
		-----*		
-17	0310196-13	SPRING-BRAKE & RUDDER RETURN -----	2	
-18	0441132	CLIP -----	2	
		ATTACHING PARTS -----		
-19	AN520-10R7	SCREW -----	1	
	MS20365-1032C	NUT -----	1	
		-----*		
-20	S1675-1	BEARING HALF-INBOARD -----	4	
-21	S1674-1	BEARING HALF-OUTBOARD -----	4	
		ATTACHING PARTS -----		
-22	AN3-16A	BOLT -----	2	
	MS21044N3	NUT -----	2	
		-----*		
-23	0411526-1	WELD ASSEMBLY-RUDDER BAR -----	1	
-24	0411526-2	WELD ASSEMBLY-RUDDER BAR -----	1	
-25	0411573-1	BELLCRANK ASSEMBLY -----	1	
-26	0411563	BELLCRANK ASSEMBLY -----	3	
		ATTACHING PARTS -----		
-27	AN3-10A	BOLT -----	1	
-28	MS21044N3	NUT -----	1	
		-----*		
-29	S1003-43A	BEARING -----	4	
-30	0411565	TUBE-DUAL BRAKE TORQUE -----	2	
-31	SEE FIG 62	CYLINDER ASSEMBLY-BRAKE -----	2	A
	SEE FIG 63	CYLINDER ASSEMBLY-BRAKE -----	2	B
		ATTACHING PARTS -----		
-32	MS20392-2C15	PIN -----	1	
-33	MS24665-132	PIN-COTTER -----	1	
		-----*		
-34	0411550	BRACKET-BRAKE CYLINDER OUTSIDE -----	1	
-35	0411549	BRACKET-BRAKE CYLINDER INSIDE -----	1	
		ATTACHING PARTS -----		
-36	AN3-3A	BOLT -----	2	
-37	MS20365-1032C	NUT -----	2	
		-----*		
-38	0716224-2	ANCHCR-INBOARD CYLINDER ATTACH -----	1	
		A---150 SERIAL 15071129 & ON		
		A150 SERIAL A1500001 & ON		
		B---F150 SERIAL F15000530 & ON		
		FA150 SERIAL FA1500001 & ON		

Brake Cylinder

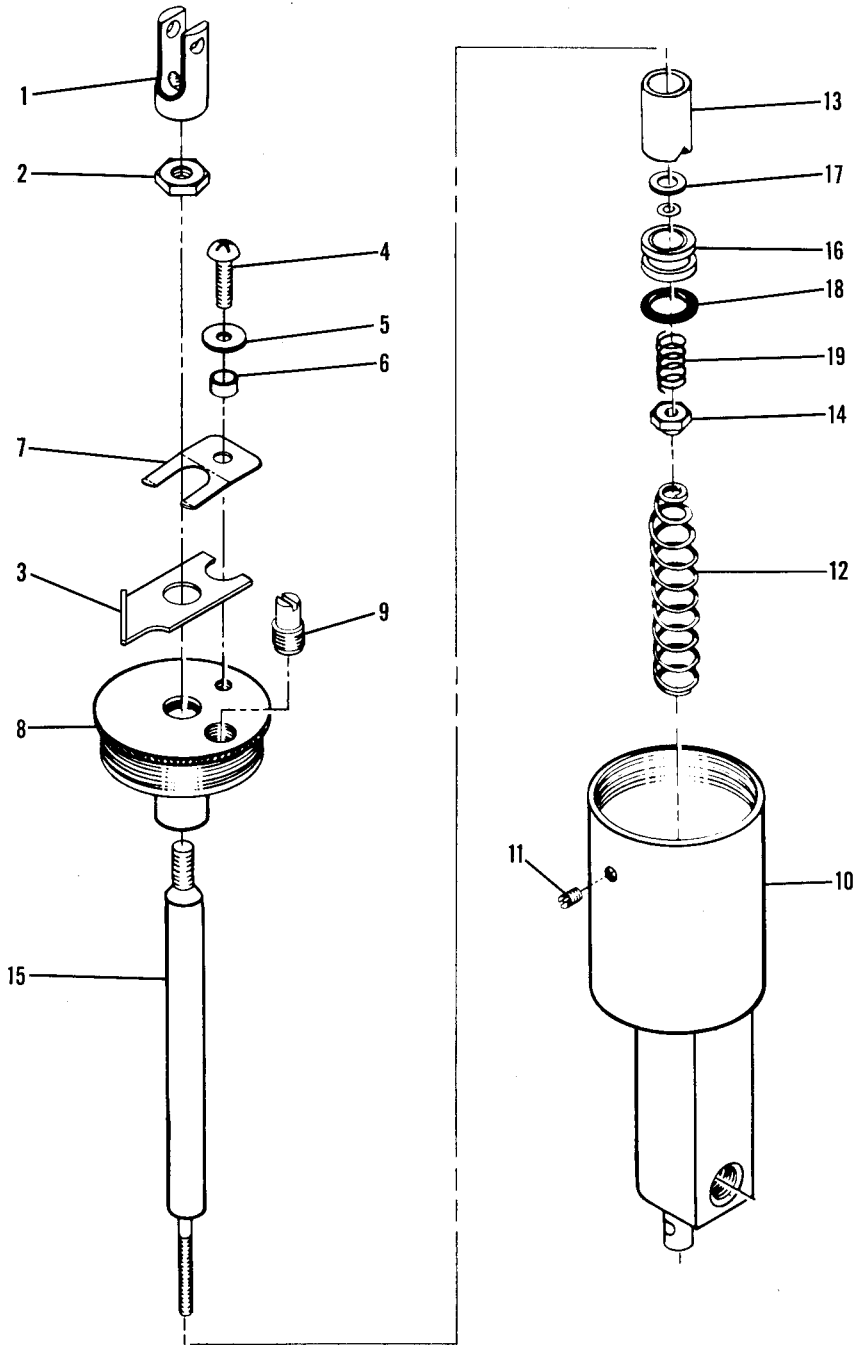


150 SERIAL 15071129 THRU 15071813
A150 SERIAL A1500001 THRU A1500170

Figure 62. Master Brake Cylinder Assembly

FIGURE AND INDEX NO.	PART NUMBER	DESCRIPTION	UNITS PER ASSY	USABLE ON CODE
		1 2 3 4 5 6 7		
62 -	C163020-0101	CYLINDER ASSEMBLY-MASTER BRAKE -----	2	A
- 1	A279A	CLEVIS GRDS -----	1	
- 2	AN316-4	NUT-LOCK -----	1	
- 3	A088A	SPRING GRDS -----	1	
- 4	A147A	LEVER-PARKING BRAKE GRDS -----	1	
- 5	AN3-5A	BOLT -----	1	
- 6	A126A	SPACER-RUBBER GRDS -----	1	
- 7	N5000-175	SNAP RING WKI -----	1	
- 8	A148A	PLUG-FILLER GRDS -----	1	
- 9	A064A	PLATE ASSEMBLY-COVER GRDS -----	1	
-10		BUSHING -----	NP	
-11	TS33-30	RUBBER RING SQ. CUT -----	1	
-12	A085A	SHAFT ASSEMBLY GRDS -----	1	
-13		COLLAR-THRUST GRDS -----	NP	
-14	X5133-21	SNAP RING WKI -----	1	
-15	AN6227B4	O RING -----	1	
-16	A223A	PISTON GRDS -----	1	
-17	AN6227B9	O RING -----	1	
-18	A113A	SPRING GRDS -----	1	
-19	X5133-21	SNAP RING WKI -----	1	
-20	A089A	SPRING GRDS -----	1	
-21	A087A	BOLT & LOCKWASHER ASSEMBLY GRDS -----	1	
-22	A061A	HOUSING-BRAKE CYLINDER GRDS -----	1	
A---150 SERIAL 15071129 THRU 15071813 A150 SERIAL A1500001 THRU A1500170				

Brake Cylinder (Cont)

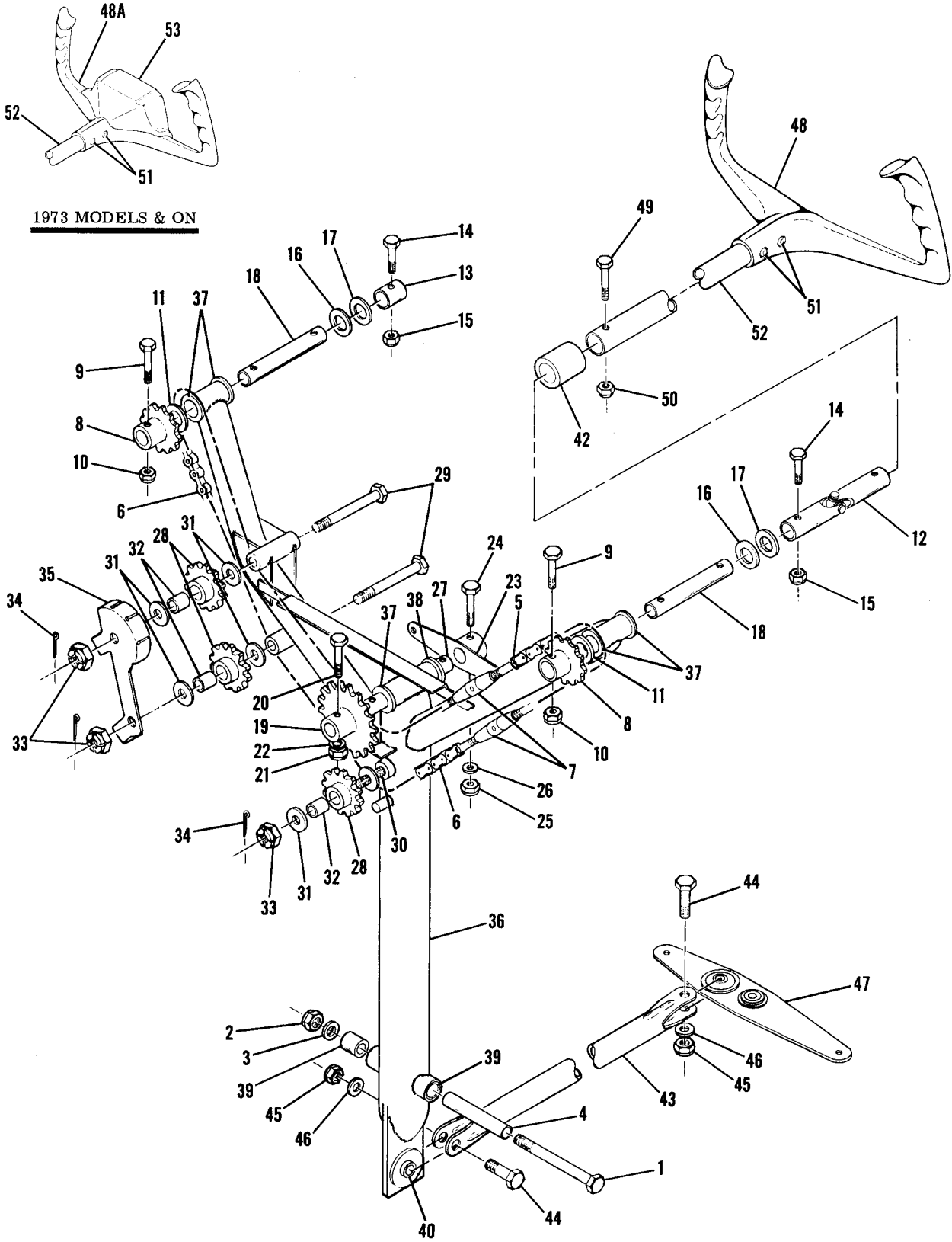


150 SERIAL 15071814 & ON
F150 SERIAL F15000530 & ON
A150 SERIAL A1500171 & ON
FA150 SERIAL FA1500001 & ON

Figure 63. Master Brake Cylinder Assembly

FIGURE AND INDEX NO.	PART NUMBER	DESCRIPTION	UNITS PER ASSY	USABLE ON CODE
		1 2 3 4 5 6 7		
63 -	0541138-19	CYLINDER ASSEMBLY-MASTER BRAKE -----	2	A
- 1	0541140	CLEVIS-ROD END -----	1	
- 2	AN316-4R	NUT-CHECK -----	1	
- 3	0541165-1	PLATE-LOCK -----	1	
		ATTACHING PARTS		
- 4	AN515-10R8	SCREW-MACHINE -----	1	
- 5	AN960-10	WASHER -----	1	
- 6	0541146-1	SPACER -----	1	
		---*---		
- 7	0541167-1	SPRING-PARKING BRAKE -----	1	
- 8	0541151	COVER-MASTER CYLINDER -----	1	
- 9	0541139	PLUG-FILLER -----	1	
-10	0541184-1	BODY-MASTER CYLINDER -----	1	
-11	AN565D6H3	SCREW -----	1	
-12	0541148	SPRING-PISTON RETURN -----	1	
-13	0541149	SLEEVE-PISTON ROD -----	1	
	0541138-5	PISTON ASSEMBLY-MASTER CYLINDER -----	1	
-14	22FH632	NUT SPS -----	1	
-15	0541144	ROD -----	1	
-16	0541143	PISTON -----	1	
-17	800-001-6	LOCK-O-SEAL PKSC -----	1	
-18	MS28775-110	O RING -----	1	
-19	0541148-1	SPRING -----	1	
		A---150 SERIAL 15071814 & ON F150 SERIAL F15000530 & ON A150 SERIAL A1500171 & ON FA150 SERIAL FA1500001 & ON		

Flight Controls



1973 MODELS & ON

Figure 64. Control Y Installation



FIGURE AND INDEX NO.	PART NUMBER	DESCRIPTION	UNITS	USABLE
			PER ASSY	ON CODE
64 -	0460128-1	CONTROL Y INSTALLATION ----- CONTROL Y ASSEMBLY ----- ATTACHING PARTS -----	NP 1	
- 1	AN4-31A	BOLT -----	1	
- 2	MS21042L4	NUT -----	1	
- 3	AN960-416L	WASHER -----	1	
- 4	S18-30	BUSHING -----	1	
		-----*		
- 5	0413372-1	CHAIN ASSEMBLY-CONTROL Y -----	1	
- 6	0413372-8	CHAIN ASSEMBLY-CONTROL Y -----	1	
- 7	AN155-32S	BARREL -----	2	
- 8	0411047	SPROCKET -----	2	
		ATTACHING PARTS -----		
- 9	AN3-11A	BOLT -----	1	
-10	MS21044N3	NUT -----	1	
-11	AN960-816	WASHER -----	2	
		-----*		
-12	0411257	UNIVERSAL JOINT LH ONLY -----	1	
-13	0460101	SPACER RH ONLY -----	1	
	0411257	UNIVERSAL JOINT RH DUAL CONTROLS -----	2	
		ATTACHING PARTS -----		
-14	AN3-10A	BOLT -----	1	
-15	MS21044N3	NUT -----	1	
-16	AN960-816	WASHER -----	1	
-17	0411221-2	WASHER -----	AR	
		-----*		
-18	0411255	SHAFT -----	2	
-19	0413374-1	SPROCKET -----	1	
		ATTACHING PARTS -----		
-20	AN3-11A	BOLT -----	1	
-21	MS21044N3	NUT -----	1	
-22	AN960-10	WASHER -----	1	
		-----*		
-23	0413370-1	ARM -----	1	
		ATTACHING PARTS -----		
-24	AN3-11A	BOLT -----	1	
-25	MS21044N3	NUT -----	1	
-26	AN960-10	WASHER -----	1	
		-----*		
-27	0413379	SHAFT -----	1	
-28	0413373-1	SPROCKET -----	3	
		ATTACHING PARTS -----		
-29	AN4-25	BOLT -----	1	
-30	AN4-30	BOLT -----	1	
-31	NAS70-261-750	WASHER -----	2	
-32	0413380-1	BUSHING -----	1	
-33	AN310-4	NUT -----	1	
-34	MS24665-132	COTTER PIN -----	1	
		-----*		
-35	0460129-1	GUARD -----	1	
-36	0460128-200	CONTROL Y ASSEMBLY -----	1	
-37	S1004-28A	BEARING -----	5	
-38	S1004-29A	BEARING -----	1	
-39	B610	BEARING TOR -----	2	
-40	MS27261KSP4	BEARING -----	1	
-41		DELETED, NOT AVAILABLE -----		
-42	S1495-10	HOSE-1.12 IN LG BULK ITEM REF S1495-10-1.12 -----	2	
-43	0460116-3	LINK-ELEVATOR CONTROL -----	1	
		ATTACHING PARTS -----		
-44	AN4-11A	BOLT -----	2	
-45	MS21042L4	NUT -----	2	
-46	AN960-416	WASHER -----	2	
		-----*		
-47	0411258-1	BELLCRANK-ELEVATOR CONTROL -----	1	

CONTINUED ON NEXT PAGE

FIGURE AND INDEX NO.	PART NUMBER	DESCRIPTION							UNITS PER ASSY	USABLE ON CODE
		1	2	3	4	5	6	7		
64 -48	0513240-16	CONTROL WHEEL ASSEMBLY-PILOT & COPILOT WEU 0513261-7 -----							2	A
	0513240-18	CONTROL WHEEL ASSEMBLY-PILOT & COPILOT NOT DRILLED -----							2	B
	0513261-7	FOR MIKE SWITCH WEU 0513261-7								
	0513240-20	CONTROL WHEEL ASSEMBLY-PILOT & COPILOT NOT DRILLED -----							2	C
		FOR MIKE SWITCH								
	0513240-20	CONTROL WHEEL ASSEMBLY-PILOT ONLY DRILLED FOR MIKE SWITCH -							1	B
		WEU 0513261-8								
-48A	0513261-8	CONTROL WHEEL ASSEMBLY-PILOT ONLY DRILLED FOR MIKE SWITCH -							1	C
	0513261-10	CONTROL WHEEL ASSEMBLY-PILOT & COPILOT NOT DRILLED -----							2	J
		FOR MIKE SWITCH								
	0513261-16	CONTROL WHEEL ASSEMBLY-PILOT & COPILOT NOT DRILLED -----							2	K
		FOR MIKE SWITCH								
	0513261-11	CONTROL WHEEL ASSEMBLY-PILOT ONLY DRILLED FOR MIKE SWITCH -							1	J
	0513261-17	CONTROL WHEEL ASSEMBLY-PILOT ONLY DRILLED FOR MIKE SWITCH --							1	K
		ATTACHING PARTS								
-49	AN3-10A	BOLT -----							1	
-50	MS21044N3	NUT -----							1	
		-----*								
	0513239-9	WHEEL-CONTROL PILOT & COPILOT WEU 0513260-13 -----							1	A
	0513239-13	WHEEL-CONTROL PILOT & COPILOT NOT DRILLED -----							1	B
		FOR MIKE SWITCH WEU 0513260-13								
	0513239-18	WHEEL-CONTROL PILOT & COPILOT FSO 0513261-7 -----							NP	D
	0513260-13	WHEEL-CONTROL PILOT & COPILOT NOT DRILLED -----							1	E
		FOR MIKE SWITCH								
	0513260-4	WHEEL-CONTROL PILOT & COPILOT NOT DRILLED -----							1	H
		FOR MIKE SWITCH								
	0513239-15	WHEEL-CONTROL PILOT ONLY DRILLED FOR MIKE SWITCH ---							1	B
	0513260-19	WHEEL-CONTROL PILOT ONLY DRILLED FOR MIKE SWITCH ---							NP	D
		FSO 0513261-8								
	0513260-14	WHEEL-CONTROL PILOT ONLY DRILLED FOR MIKE SWITCH ---							1	E
	0513260-5	WHEEL-CONTROL PILOT ONLY DRILLED FOR MIKE SWITCH ---							1	F
-51	0413216-6	RIVET -----							2	F
	0413216-6	RIVET AFT HOLE -----							1	D
	0413216-9	RIVET FWD HOLE -----							1	D
-52	0413213-16	TUBE WEU 0413213-19 -----							1	A
	0413213-19	TUBE -----							1	G
	0413213-21	TUBE USED WITH 0513239-18 & 0513260-19 ONLY -----							1	D
	0413213-26	TUBE -----							1	K
-53	0514088-1	PAD-CONTROL WHEEL -----							2	L
	0414044-1	PAD-CONTROL WHEEL -----							2	M
	0514097-1	PAD-CONTROL WHEEL -----							2	N
	SEE FIG 2 & 2A	PLACARD-CONTROL WHEEL INSIGNIA -----							AR	
<p>A---150 SERIAL 15071129 THRU 15072003 F150 SERIAL F15000530 THRU F15000658 A150 SERIAL A1500001 THRU A1500226 FA150 SERIAL FA1500001 THRU FA1500081</p> <p>B---150 SERIAL 15072004 THRU 15072725, 15072744, 15072750 & 15072751 F150 SERIAL F15000659 THRU F15000863 A150 SERIAL A1500227 THRU A1500279 FA150 SERIAL FA1500082 THRU FA1500166</p> <p>C---150 SERIAL 15072726 THRU 15072743, 15072745 THRU 15072749, 15072752 THRU 15073658 A150 SERIAL A1500280 THRU A1500342</p> <p>D---150 SERIAL 15072726 THRU 15072743, 15072745 THRU 15072749, 15072752 THRU 15073391 A150 SERIAL A1500280 THRU A1500330</p> <p>E---150 SERIAL 15073392 THRU 15073658 F150 SERIAL F15000834 THRU F15000863 A150 SERIAL A1500331 THRU A1500342</p> <p>F---150 SERIAL 15071129 THRU 15072725, 15072744, 15072750, 15072751, 15073392 & ON F150 SERIAL F15000530 & ON A150 SERIAL A1500001 THRU A1500279, A1500331 & ON FA150 SERIAL FA1500001 & ON</p>										
CONTINUED ON NEXT PAGE										



FIGURE AND INDEX NO.	PART NUMBER	DESCRIPTION	UNITS PER ASSY	USABLE ON CODE
64 -		<p style="text-align: center;">1 2 3 4 5 6 7</p> <p>G---150 SERIAL 15072004 THRU 15072725, 15072744, 15072750, 15072751, 15073392 THRU 15074384 F150 SERIAL F15000659 THRU F15000943 A150 SERIAL A1500227 THRU A1500279, A1500331 THRU A1500389 FA150 SERIAL FA1500082 THRU FA1500211</p> <p>H---150 SERIAL 15073659 & ON F150 SERIAL F15000864 & ON A150 SERIAL A1500343 & ON FA150 SERIAL FA1500167 & ON</p> <p>J---150 SERIAL 15073659 THRU 15074384 F150 SERIAL F15000864 THRU F15000943 A150 SERIAL A1500343 THRU A1500389 FA150 SERIAL FA1500167 THRU FA1500211</p> <p>K---150 SERIAL 15074385 & ON F150 SERIAL F15000944 & ON A150 SERIAL A1500390 & ON FA150 SERIAL FA1500212 & ON</p> <p>L---150 SERIAL 15073659 THRU 15074850 F150 SERIAL F15000864 THRU F15001013 A150 SERIAL A1500343 THRU A1500429 FA150 SERIAL FA1500167 THRU FA1500211</p> <p>M---150 SERIAL 15074851 THRU 15075781 F150 SERIAL F15001014 THRU F15001143 A150 SERIAL A1500430 THRU A1500523 FA150 SERIAL FA1500212 THRU FA1500261</p> <p>N---150 SERIAL 15075782 & ON F150 SERIAL F15001144 & ON A150 SERIAL A1500524 & ON FA150 SERIAL FA1500262 & ON</p>		

Flight Controls (Cont)

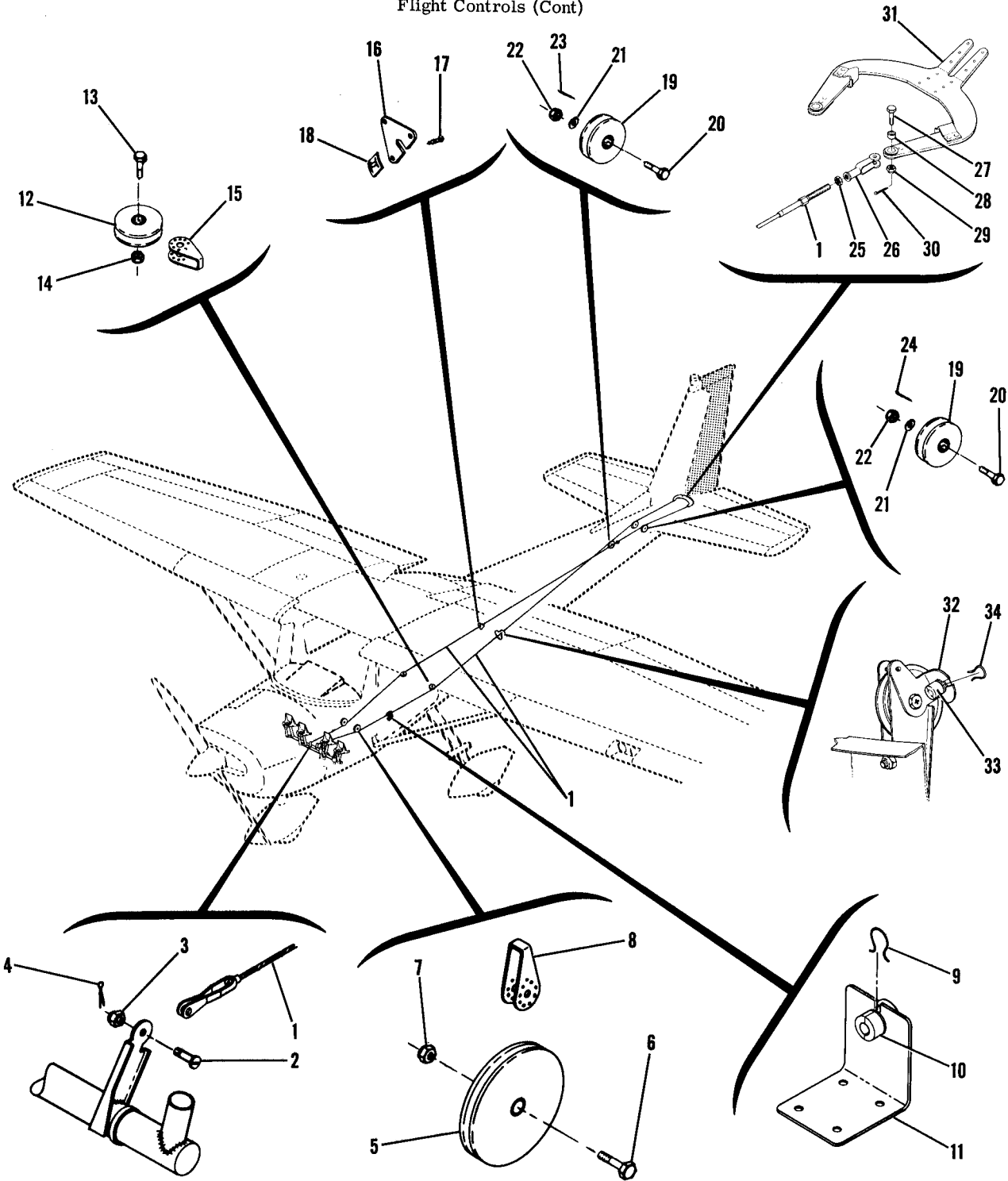
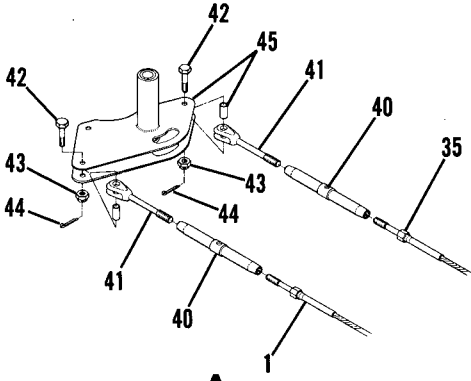


Figure 65. Rudder Control System Installation

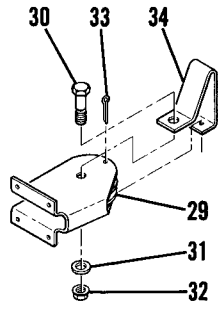


FIGURE AND INDEX NO.	PART NUMBER	DESCRIPTION							UNITS PER ASSY	USABLE ON CODE
		1	2	3	4	5	6	7		
65 -		RUDDER CONTROL SYSTEM INSTALLATION -----							NP	
- 1	0400107-49	CABLE ASSEMBLY-RUDDER CONTROL LH -----							1	
	0400107-149	CABLE ASSEMBLY-RUDDER CONTROL LH STAINLESS STEEL -----							1	
	0400107-50	CABLE ASSEMBLY-RUDDER CONTROL RH -----							1	
	0400107-150	CABLE ASSEMBLY-RUDDER CONTROL RH STAINLESS STEEL -----							1	
		ATTACHING PARTS -----								
- 2	AN23-10	BOLT -----							1	
- 3	AN310-3	NUT -----							1	
- 4	MS24665-132	PIN-COTTER -----							1	
		-----*								
- 5	S378-4	PULLEY -----							2	
		ATTACHING PARTS -----								
- 6	AN4-10A	BOLT -----							1	
- 7	MS21042L4	NUT -----							1	
- 8	0411421-6	GUARD -----							1	
		-----*								
- 9	S339-1	CLIP -----							1	
-10	S338-1	FAIRLEAD-HALF -----							2	
-11	0460200-1	RETAINER-FAIRLEAD -----							1	
-12	S378-3	PULLEY -----							2	
		ATTACHING PARTS -----								
-13	AN4-10A	BOLT -----							1	
-14	MS21042L4	NUT -----							1	
-15	0411421-2	GUARD -----							1	
		-----*								
-16	0412168-1	FAIRLEAD -----							1	
		ATTACHING PARTS -----								
-17	S102128-6	SCREW -----							3	
-18	NAS446-4-3	NUT -----							3	
		-----*								
-19	S378-3	PULLEY -----							3	
		ATTACHING PARTS -----								
-20	AN4-10A	BOLT -----							1	
-21	AN960-416	WASHER -----							1	
-22	MS21042L4	NUT -----							1	
		-----*								
-23	MS24665-283	PIN-COTTER CABLE GUARD -----							1	
-24	MS24665-134	PIN-COTTER CABLE GUARD -----							2	
-25	AN315-4R	NUT -----							2	
-26	MS27975-3	CLEVIS -----							2	
		ATTACHING PARTS -----								
-27	AN3-7A	BOLT -----							1	B
	AN3-6	BOLT -----							1	C
-28	NAS74A3-004	BUSHING -----							1	
	NAS74A3-004P	BUSHING ALTERNATE -----							1	
-29	MS21044N3	NUT -----							1	B
	AN310-3	NUT -----							1	C
-30	MS24665-134	PIN-COTTER -----							1	C
		-----*								
-31	SEE FIG 22 & 22A	HORN ASSY-RUDDER -----							1	
-32	0460151-1	SUPPORT-FAIRLEAD -----							1	A
-33	S338-1	FAIRLEAD HALF -----							2	A
-34	S339-1	CLIP -----							1	A
<p>A---150 SERIAL 15074662 & ON F150 SERIAL F15001063 & ON A150 SERIAL A1500416 & ON FA150 SERIAL FA1500236 & ON</p> <p>B---150 SERIAL 15071129 THRU 15075943 F150 SERIAL F15000530 THRU F15001143 A150 SERIAL A1500001 THRU A1500541 FA150 SERIAL FA1500001 THRU FA1500261</p> <p>C---150 SERIAL 15075944 & ON F150 SERIAL F15001144 & ON A150 SERIAL A1500542 & ON FA150 SERIAL FA1500262 & ON</p>										

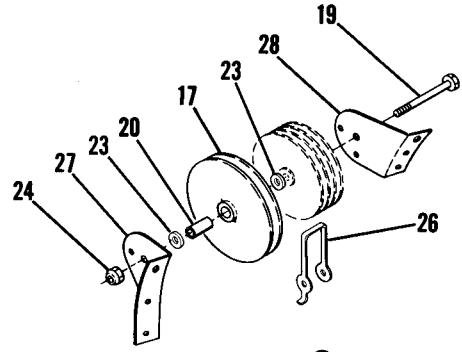
Flight Control (Cont)



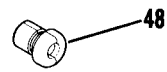
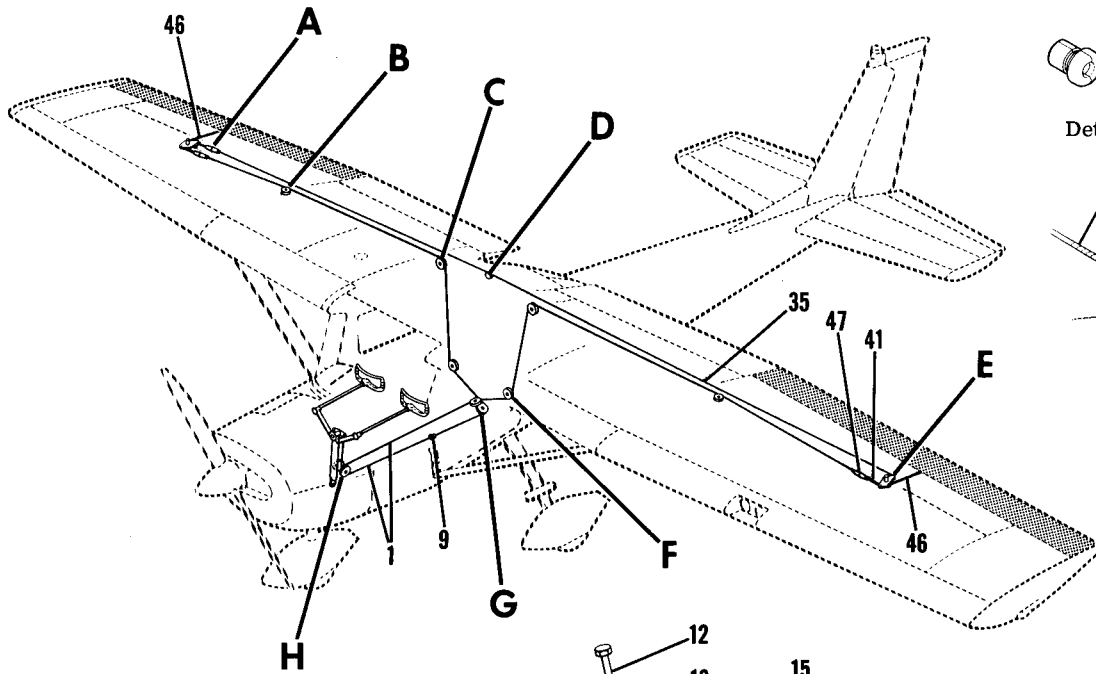
Detail A



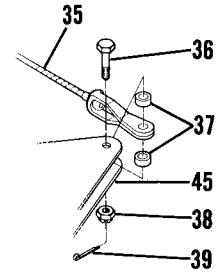
Detail B



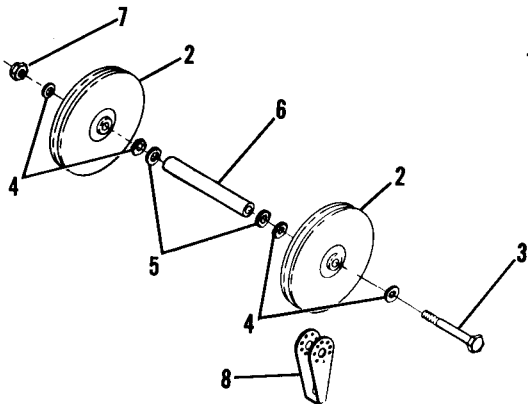
Detail C



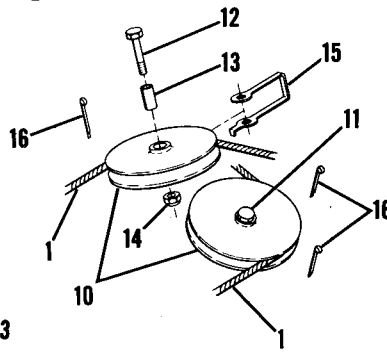
Detail D



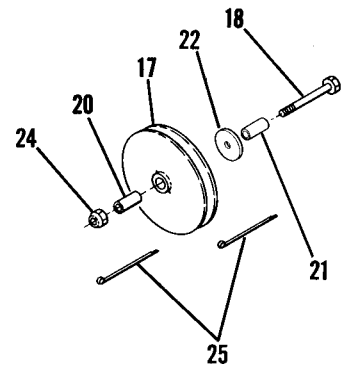
Detail E



Detail H



Detail G



Detail F

Figure 66. Aileron Control System Installation

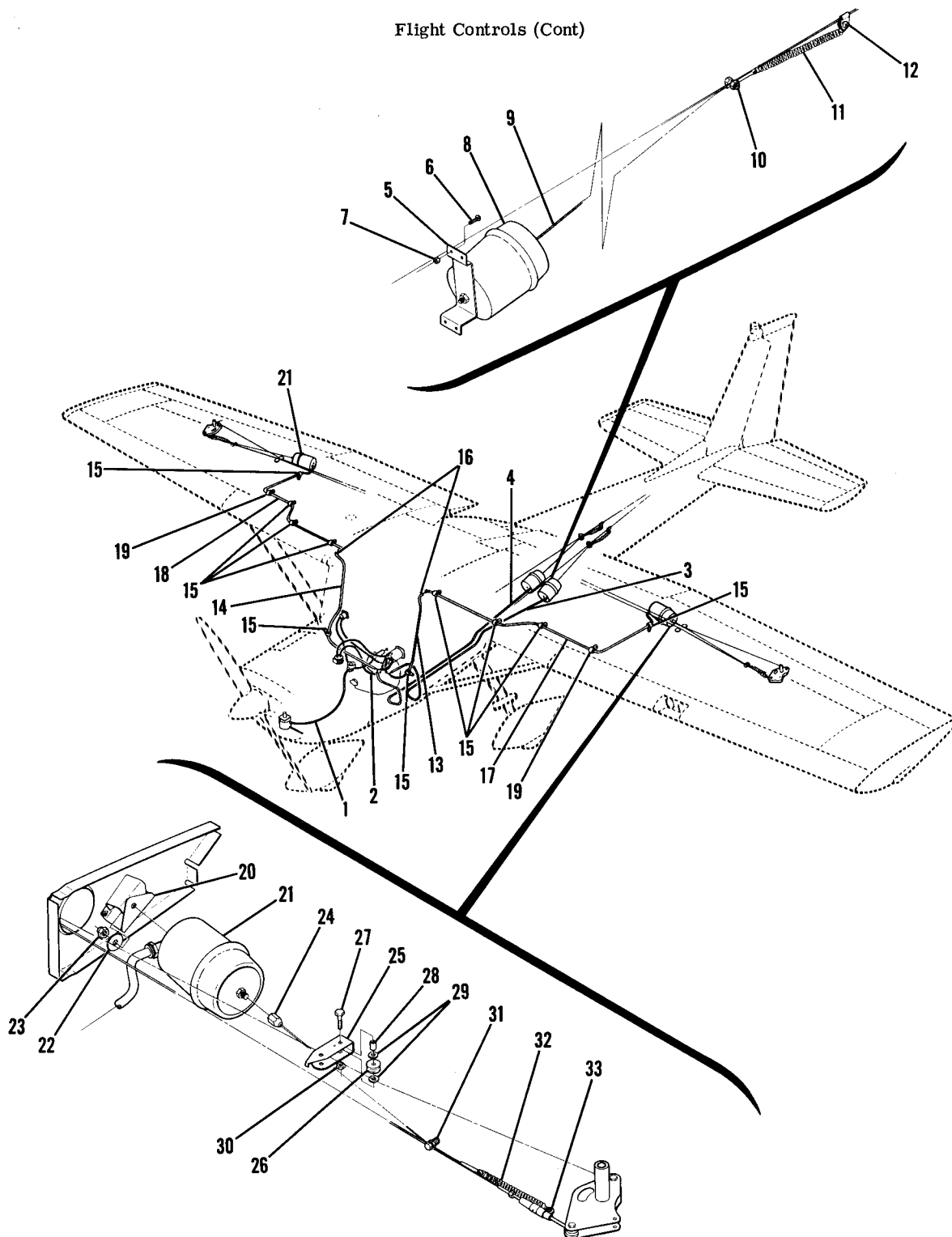
FIGURE AND INDEX NO.	PART NUMBER	DESCRIPTION	UNITS PER ASSY	USABLE ON CODE
66 -		AILERON CONTROL SYSTEM INSTALLATION -----	NP	
- 1	0400107-41	CABLE ASSEMBLY-AILERON CONTROL -----	2	
	0400107-141	CABLE ASSEMBLY-STAINLESS STEEL AILERON CONTROL -----	2	
		ATTACHING PARTS -----		
	AN23-10	BOLT-CLEVIS ATTACH TO CONTROL Y -----	1	
	AN310-3	NUT ATTACH TO CONTROL Y -----	1	
	MS24665-132	PIN-COTTER ATTACH TO CONTROL Y -----	1	
		---*---		
- 2	S378-4	PULLEY -----	2	
		ATTACHING PARTS -----		
- 3	AN4-43A	BOLT -----	1	
- 4	AN960-416L	WASHER -----	4	
- 5	AN960-416	WASHER -----	2	
- 6	NAS43DD4-152	SPACER -----	1	
- 7	MS21042L4	NUT -----	1	
		---*---		
- 8	0411421-6	GUARD -----	2	
- 9	S338-1	FAIRLEAD HALF -----	2	
		ATTACHING PARTS -----		
	S339-1	CLIP -----	1	
		---*---		
-10	MS20220-2	PULLEY -----	2	
		ATTACHING PARTS -----		
-11	AN3-10A	BOLT -----	1	
-12	AN3-11A	BOLT -----	1	
-13	0460109-1	BUSHING -----	1	
-14	MS21044N3	NUT -----	1	
		---*---		
-15	0460108-1	GUARD -----	1	
-16	MS24665-136	PIN-COTTER -----	3	
-17	MS20220-2	PULLEY -----	4	
		ATTACHING PARTS -----		
-18	AN3-16A	BOLT -----	1	
-19	AN3-17A	BOLT -----	1	
-20	0460109-1	BUSHING -----	1	
-21	NAS43HT3-44	SPACER -----	1	
-22	AN970-3	WASHER -----	1	
-23	AN960-10	WASHER -----	2	
-24	MS21044N3	NUT -----	1	
		---*---		
-25	MS24665-143	PIN-COTTER -----	4	
-26	0460108-1	GUARD -----	4	
-27	0412044-2	BRACKET-PULLEY RH FWD -----	1	
	0412044-1	BRACKET-PULLEY LH FWD -----	1	
-28	0412044-4	BRACKET-PULLEY RH AFT -----	1	
	0412044-3	BRACKET-PULLEY LH AFT -----	1	
-29	S378-3	PULLEY -----	2	
		ATTACHING PARTS -----		
-30	AN4-10A	BOLT -----	1	
-31	AN960-10L	WASHER -----	1	
-32	MS21042L4	NUT -----	1	
		---*---		
-33	MS24665-132	PIN-COTTER -----	2	
-34	0423016-1	GUARD-PULLEY -----	1	
-35	0400107-21	CABLE-AILERON CONTROL -----	1	
	0400107-121	CABLE-STAINLESS STEEL AILERON CONTROL -----	1	
		ATTACHING PARTS -----		
-36	AN3-7A	BOLT -----	1	A
	AN3-7	BOLT -----	1	B
-37	NAS43HT4-9	SPACER -----	2	
-38	MS21044N3	NUT -----	1	A
	AN310-3	NUT -----	1	B
-39	MS24665-134	PIN-COTTER -----	1	B
		---*---		
-40	AN155-32L	BARREL-TURNBUCKLE -----	2	

CONTINUED ON NEXT PAGE

FIGURE AND INDEX NO.	PART NUMBER	DESCRIPTION							UNITS PER ASSY	USABLE ON CODE
		1	2	3	4	5	6	7		
66 -41	AN161-32LL	FORK -----							3	
		ATTACHING PARTS								
-42	AN3-7A	BOLT -----							1	A
	AN3-7	BOLT -----							1	B
-43	MS21044N3	NUT -----							1	A
	AN310-3	NUT -----							1	B
-44	MS24665-134	PIN-COTTER -----							1	B
		---*---								
-45	SEE FIG 15	BELLCRANK ASSY-AILERON -----							2	
-46	SEE FIG 15	ROD ASSY-AILERON -----							2	
-47	AN155-32S	BARREL-TURNBUCKLE -----							1	
-48	S338-1	FAIRLEAD HALF -----							2	
		ATTACHING PARTS								
	S339-1	CLIP -----							1	
		---*---								
		A---150 SERIAL 15071129 THRU 15075943								
		F150 SERIAL F15000530 THRU F15001143								
		A150 SERIAL A1500001 THRU A1500541								
		FA150 SERIAL FA1500001 THRU FA1500261								
		B---150 SERIAL 15075944 & ON								
		F150 SERIAL F15001144 & ON								
		A150 SERIAL A1500542 & ON								
		FA150 SERIAL FA1500262 & ON								

This page intentionally left blank.

Flight Controls (Cont)

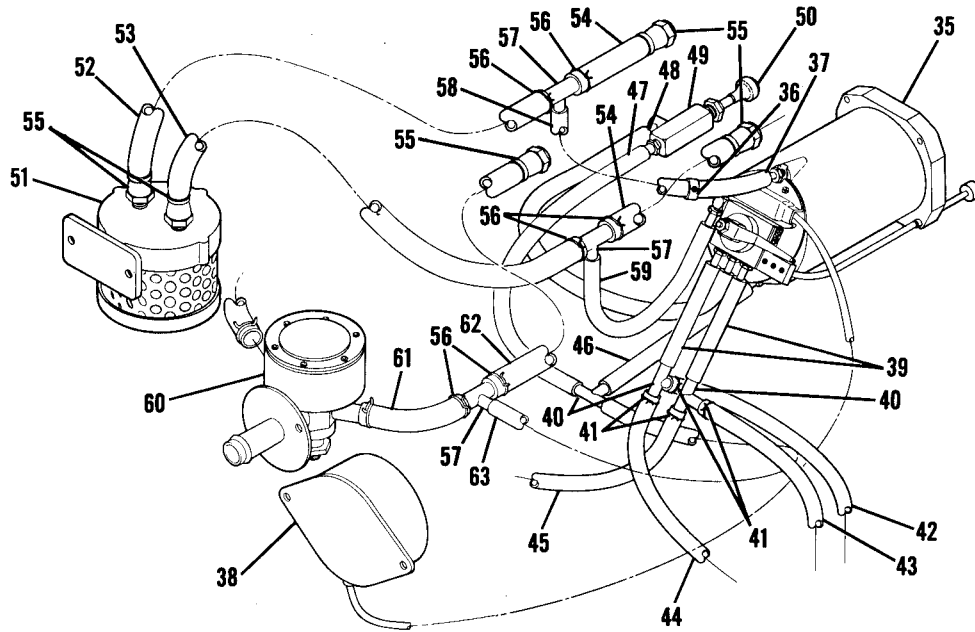


150 SERIAL 15071129 THRU 15074850
F150 SERIAL F15000530 THRU F15001013
A150 SERIAL A1500001 THRU A1500429
FA150 SERIAL FA1500001 THRU FA1500211

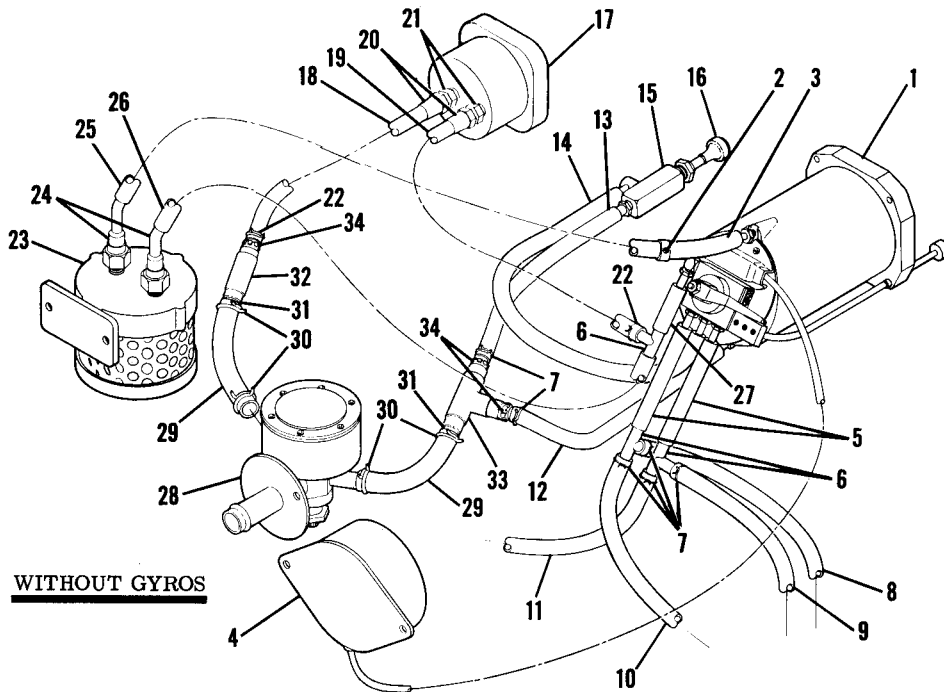
Figure 67. Wing Leveler Installation

FIGURE AND INDEX NO.	PART NUMBER	DESCRIPTION	UNITS PER ASSY	USABLE ON CODE
		1 2 3 4 5 6 7		
67 -		WING LEVELER INSTALLATION -----	NP	A
- 1	SEE FIG 79	VACUUM SYSTEM -----	1	
- 2	SEE FIG 68	WING LEVELER COMPONENTS -----	1	
- 3	S1071R3	TUBE-RED * IN LG BULK ITEM REF S1071R3-* -----	1	
- 4	S1071G3	TUBE-GREEN * IN LG BULK ITEM REF S1071G3-* -----	1	
- 5	0412071-2	BRACKET-RH -----	1	
	0412071-1	BRACKET-LH -----	1	
		ATTACHING PARTS		
- 6	AN515-8R8	SCREW -----	4	
- 7	MS21044N08	NUT -----	4	
		-----*-----		
- 8	1005-0-1	SERVO ASSEMBLY-RUDDER BTID -----	2	
		ATTACHING PARTS		
	AN970-5	WASHER -----	1	
	MS21042L5	NUT -----	1	
		-----*-----		
- 9	0422358-1	CABLE ASSEMBLY-RUDDER SERVO -----	2	
-10	S8S	CONNECTOR PEUN -----	2	
	SEL8S	CONNECTOR PEUN ALTERNATE -----	2	
-11	0413416-4	SPRING -----	2	
-12	AN742D2	CLAMP -----	2	
		ATTACHING PARTS		
	AN525-10R6	SCREW -----	1	
	MS21044N3	NUT -----	1	
		-----*-----		
-13	S1071R3	TUBE-RED * IN LG BULK ITEM REF S1071R3-* -----	1	
-14	S1071G3	TUBE-GREEN * IN LG BULK ITEM REF S1071G3-* -----	1	
-15	S1592-2A	CLAMP -----	10	
		ATTACHING PARTS		
	S1021Z6-8	SCREW -----	1	
		-----*-----		
-16	S1794-1	FITTING -----	2	
	S1494-6	CLAMP -----	4	
-17	S1071R3	TUBE-RED * IN LG BULK ITEM REF S1071R3-* -----	1	
-18	S1071G3	TUBE-GREEN * IN LG BULK ITEM REF S1071G3-* -----	1	
-19	49165-22	HARNESS BAND UC -----	2	
		ATTACHING PARTS		
	S1021Z6-8	SCREW -----	1	
		-----*-----		
-20	0422356-1	MOUNTING BRACKET ASSEMBLY-SERVO LH -----	1	
	0422356-2	MOUNTING BRACKET ASSEMBLY-SERVO RH -----	1	
		ATTACHING PARTS		
	AN515-8R8	SCREW -----	3	
		-----*-----		
	NAS69808	NUTPLATE -----	3	
-21	1005-1-0	SERVO ASSEMBLY-AILERON BTID -----	2	
		ATTACHING PARTS		
-22	AN970-5	WASHER -----	1	
-23	MS21042L5	NUT -----	1	
		-----*-----		
-24	0422358-1	CABLE ASSEMBLY-AILERON SERVO -----	2	
-25	0422357-1	BRACKET-PULLEY -----	2	
-26	S1710-1	PULLEY -----	2	
		ATTACHING PARTS		
-27	AN3-10A	BOLT -----	1	
-28	0411783-1	BUSHING -----	1	
-29	AN960-10	WASHER -----	2	
-30	MS21044N3	NUT -----	1	
		-----*-----		
-31	S8S	CONNECTOR PEUN -----	2	
	SEL8S	CONNECTOR PEUN ALTERNATE -----	2	
-32	0413416-4	SPRING -----	2	
-33	AN742D6	CLAMP -----	2	
		ATTACHING PARTS		
	AN515-8R6	SCREW -----	1	
	MS21044N08	NUT -----	1	
		-----*-----		
		NOTE. *LENGTH TO BE DETERMINED LATER		
		A---150 SERIAL 15071129 THRU 15074850		
		F150 SERIAL F15000530 THRU F15001013		
		A150 SERIAL A1500001 THRU A1500429		
		FA150 SERIAL FA1500001 THRU FA1500211		

Flight Controls (Cont)



USED WITH GYROS



WITHOUT GYROS

150 SERIAL 15071129 THRU 15074850
 F150 SERIAL F15000530 THRU F15001013
 A150 SERIAL A1500001 THRU A1500429
 FA150 SERIAL FA1500001 THRU FA1500211

Figure 68. Wing Leveler Components



FIGURE AND INDEX NO.	PART NUMBER	DESCRIPTION							UNITS PER ASSY	USABLE ON CODE
		1	2	3	4	5	6	7		
68 -		WING LEVELER COMPONENTS USED WITHOUT GYROS							NP	C
- 1	2904-1	INDICATOR-TURN COORDINATOR BTID WEU C661003-0601							1	A
	C661003-0601	INDICATOR-TURN COORDINATOR							1	B
		ATTACHING PARTS								
	AN515B6R12	SCREW							3	
	AN936A6B	WASHER							3	
	AN340B6	NUT							3	

- 2		%	VALVE-RESTRICTOR					NP		
- 3	S1800-1		TUBE-* IN LG BULK ITEM REF S1800-1-*					1		
- 4		%	INVERTER					NP		
		ATTACHING PARTS								
	AN515-8R8	SCREW							2	
	MS21044N08	NUT							2	

- 5	S1800-1	TUBE-3.00 IN LG BULK ITEM REF S1800-1-3.00					2			
- 6	S1793-1	TEE							3	
- 7	S1494-6	CLAMP							6	
- 8	S1071R3	TUBE-RED * IN LG BULK ITEM REF S1071R3-*					1			
- 9	S1071G3	TUBE-GREEN * IN LG BULK ITEM REF S1071G3-*					1			
-10	S1071R3	TUBE-RED * IN LG BULK ITEM REF S1071R3-*					1			
-11	S1071G3	TUBE-GREEN * IN LG BULK ITEM REF S1071G3-*					1			
-12	S1800-1	TUBE-* IN LG BULK ITEM REF S1800-1-*					1			
-13	S1800-1	TUBE-* IN LG BULK ITEM REF S1800-1-*					1			
-14	S1800-1	TUBE-* IN LG BULK ITEM REF S1800-1-*					1			
-15	S1791-1	VALVE-WING LEVELER							1	
		ATTACHING PARTS								
	AN960-616	WASHER							1	
	0713026-6	NUT							1	

-16	S1981-1	KNOB							1	
-17	SEE FIG 47	GAGE-SUCTION							1	
-18	S1495-4	HOSE-* IN LG BULK ITEM REF S1499-4J-*					1			
-19	S1495-4	HOSE-* IN LG BULK ITEM REF S1499-4J-*					1			
-20	S1497-4	FITTING-SOCKETLESS							2	
-21	AN816-4D	NIPPLE							2	
-22	S1494-7	CLAMP							2	
-23	SEE FIG 79	FILTER ASSEMBLY-AIR							1	
-24	1713039-1	FITTING							2	
-25	S1800-1	TUBE-* IN LG BULK ITEM REF S1800-1-*					1			
-26	S1800-1	TUBE-* IN LG BULK ITEM REF S1800-1-*					1			
-27	S1800-1	TUBE-* IN LG BULK ITEM REF S1800-1-*					1			
-28	C482001-0301	VALVE-RELIEF							1	
-29	S1495-6	HOSE-4.00 IN LG BULK ITEM REF S1495-6-4.00					2			
-30	S1494-9	CLAMP							4	
-31	S1828-4	ADAPTER							2	
-32	S1803-2	COUPLING							1	
-33	S1826-2	TEE							1	
-34	S1805-1	REDUCER							3	
	S1828-3	ADAPTER							3	
		WING LEVELER COMPONENTS USED WITH GYROS							NP	
-35	2904-1	INDICATOR-TURN COORDINATOR BTID WEU C661003-0601							1	A
	C661003-0601	INDICATOR-TURN COORDINATOR							1	B
		ATTACHING PARTS								
	AN515B6R12	SCREW							3	
	AN936A6B	WASHER							3	
	AN340B6	NUT							3	

-36		%	VALVE-RESTRICTOR					NP		
-37	S1800-1		TUBE-* IN LG BULK ITEM REF S1800-1-*					1		
-38		%	INVERTER					NP		
		ATTACHING PARTS								
	AN515-8R8	SCREW							2	
	MS21044N08	NUT							2	

-39	S1800-1	TUBE-3.00 IN LG BULK ITEM REF S1800-1-3.00					2			
-40	S1793-1	TEE							3	
-41	S1494-6	CLAMP							4	

CONTINUED ON NEXT PAGE



FIGURE AND INDEX NO.	PART NUMBER	DESCRIPTION						UNITS PER ASSY	USABLE ON CODE	
		1	2	3	4	5	6			7
68 -42	S1071R3	TUBE-RED	*	IN LG	BULK ITEM	REF S1071R3-*	-----	1		
-43	S1071G3	TUBE-GREEN	*	IN LG	BULK ITEM	REF S1071G3-*	-----	1		
-44	S1071R3	TUBE-RED	*	IN LG	BULK ITEM	REF S1071R3-*	-----	1		
-45	S1071G3	TUBE-GREEN	*	IN LG	BULK ITEM	REF S1071G3-*	-----	1		
-46	S1800-1	TUBE-*	IN LG	BULK ITEM	REF S1800-1-*	-----	-----	1		
-47	S1800-1	TUBE-*	IN LG	BULK ITEM	REF S1800-1-*	-----	-----	1		
-48	S1800-1	TUBE-*	IN LG	BULK ITEM	REF S1800-1-*	-----	-----	1		
-49	S1791-1	VALVE-WING LEVELER	-----						1	
		ATTACHING PARTS								
	AN960-616	WASHER	-----						1	
	0713026-6	NUT	-----						1	
		---*---								
-50	S1981-1	KNOB	-----						1	
-51	SEE FIG 79	FILTER ASSEMBLY-AIR	-----						1	
-52	S1495-6	HOSE-*	IN LG	BULK ITEM	REF 0413453-2	-----	-----	1		
		AIR FILTER TO HORIZON GYRO								
-53	S1495-6	HOSE-*	IN LG	BULK ITEM	REF 0413453-3	-----	-----	1		
		AIR FILTER TO DIRECTIONAL GYRO								
-54	S1495-6	HOSE-3.25	IN LG	BULK ITEM	REF S1499-6L-3.25	-----	-----	2		
-55	S1497-6	FITTING-SOCKETLESS	-----						5	
-56	S1494-9	CLAMP	-----						7	
-57	S1793-2	TEE	-----						3	
-58	S1800-1	TUBE-*	IN LG	BULK ITEM	REF S1800-1-*	-----	-----	1		
-59	S1800-1	TUBE-*	IN LG	BULK ITEM	REF S1800-1-*	-----	-----	1		
-60	SEE FIG 79	VALVE-RELIEF	-----						1	
-61	S1495-6	HOSE-*	IN LG	BULK ITEM	REF S1495-6-*	-----	-----	1		
-62	S1495-6	HOSE-*	IN LG	BULK ITEM	REF 0413453-4	-----	-----	1		
		RELIEF VALVE TO DIRECTIONAL GYRO								
-63	S1800-1	TUBE-*	IN LG	BULK ITEM	REF S1800-1-*	-----	-----	1		
<p>NOTE. *LENGTH TO BE DETERMINED LATER</p> <p>NOTE. †INVERTER, RESTRICTOR VALVE & TURN COORDINATOR MUST BE ORDERED AS A MATCHED SET.</p> <p>A---150 SERIAL 15071129 THRU 15072628 F150 SERIAL F15000530 THRU F15000833 A150 SERIAL A1500001 THRU A1500276 FA150 SERIAL FA1500001 THRU FA1500166</p> <p>B---150 SERIAL 15072629 & ON F150 SERIAL F1500834 & ON A150 SERIAL A1500277 & ON FA150 SERIAL FA1500167 & ON</p> <p>C---150 SERIAL 15071129 THRU 15074850 F150 SERIAL F15000530 THRU F15001013 A150 SERIAL A1500001 THRU A1500429 F150 SERIAL FA1500001 THRU FA1500211</p>										

FIGURE AND INDEX NO.	PART NUMBER	DESCRIPTION	UNITS PER ASSY	USABLE ON CODE
69 -		1 2 3 4 5 6 7 FLAP SYSTEM INSTALLATION-ELECTRIC -----	NP	
- 1	0400107-45	CABLE-FLAP -----	2	
	0400107-145	CABLE-FLAP STAINLESS STEEL -----	2	
- 2	0400107-46	CABLE-FLAP -----	2	
	0400107-146	CABLE-FLAP STAINLESS STEEL -----	2	
		ATTACHING PARTS	.	
- 3	MS20392-1C9	PIN -----	2	
	MS24665-134	PIN-COTTER -----	2	
- 4	AN155-16S	BARREL -----	1	
		---*---		
- 5	S378-2	PULLEY -----	2	
		ATTACHING PARTS		
- 6	AN3-7A	BOLT -----	1	
- 7	MS21044N3	NUT -----	1	
- 8	AN960-10	WASHER -----	1	
		---*---		
- 9	MS24665-132	PIN-COTTER CABLE GUARD -----	2	
-10	S378-2	PULLEY -----	4	
		ATTACHING PARTS		
-11	AN3-17A	BOLT -----	1	
-12	MS21044N3	NUT -----	1	
-13	0760610-6	GUARD RH -----	1	
	0760610-5	GUARD LH -----	1	
-14	MS20220-2	PULLEY USED ON AILERON SYSTEM -----	1	
-15	0460108-1	GUARD USED ON AILERON PULLEY -----	2	
	0460109-1	BUSHING USED WITH AILERON PULLEY -----	1	
-16	AN960-10	WASHER -----	2	
		---*---		
-17	0412044-2	BRACKET-PULLEY RH FWD -----	1	
	0412044-1	BRACKET-PULLEY LH FWD -----	1	
-18	0412044-4	BRACKET-PULLEY RH AFT -----	1	
	0412044-3	BRACKET-PULLEY LH AFT -----	1	
-19	S378-3	PULLEY -----	2	C
		ATTACHING PARTS		
-20	AN4-10A	BOLT -----	1	C
-21	MS21042L4	NUT -----	1	C
		---*---		
-22	S378-2	PULLEY -----	2	C
-22A	S378-2	PULLEY -----	4	D
		ATTACHING PARTS		
-23	AN3-6A	BOLT -----	1	
-24	MS21044N3	NUT -----	1	
		---*---		
-25	MS24665-132	PIN-COTTER CABLE GUARD -----	4	
-26	0760612-1	DRIVE PULLEY ASSEMBLY-RH -----	1	
-27	0760612-7	DRIVE PULLEY ASSEMBLY-LH -----	1	
		ATTACHING PARTS		
-28	AN4-60A	BOLT -----	1	
	0523536	BUSHING -----	1	
	0522629-1	WASHER -----	2	
	AN960D416	WASHER -----	2	
-29	MS21042L4	NUT -----	1	
		---*---		
	B610	BEARING TOR -----	1	

CONTINUED ON NEXT PAGE

Flight Controls (Cont)

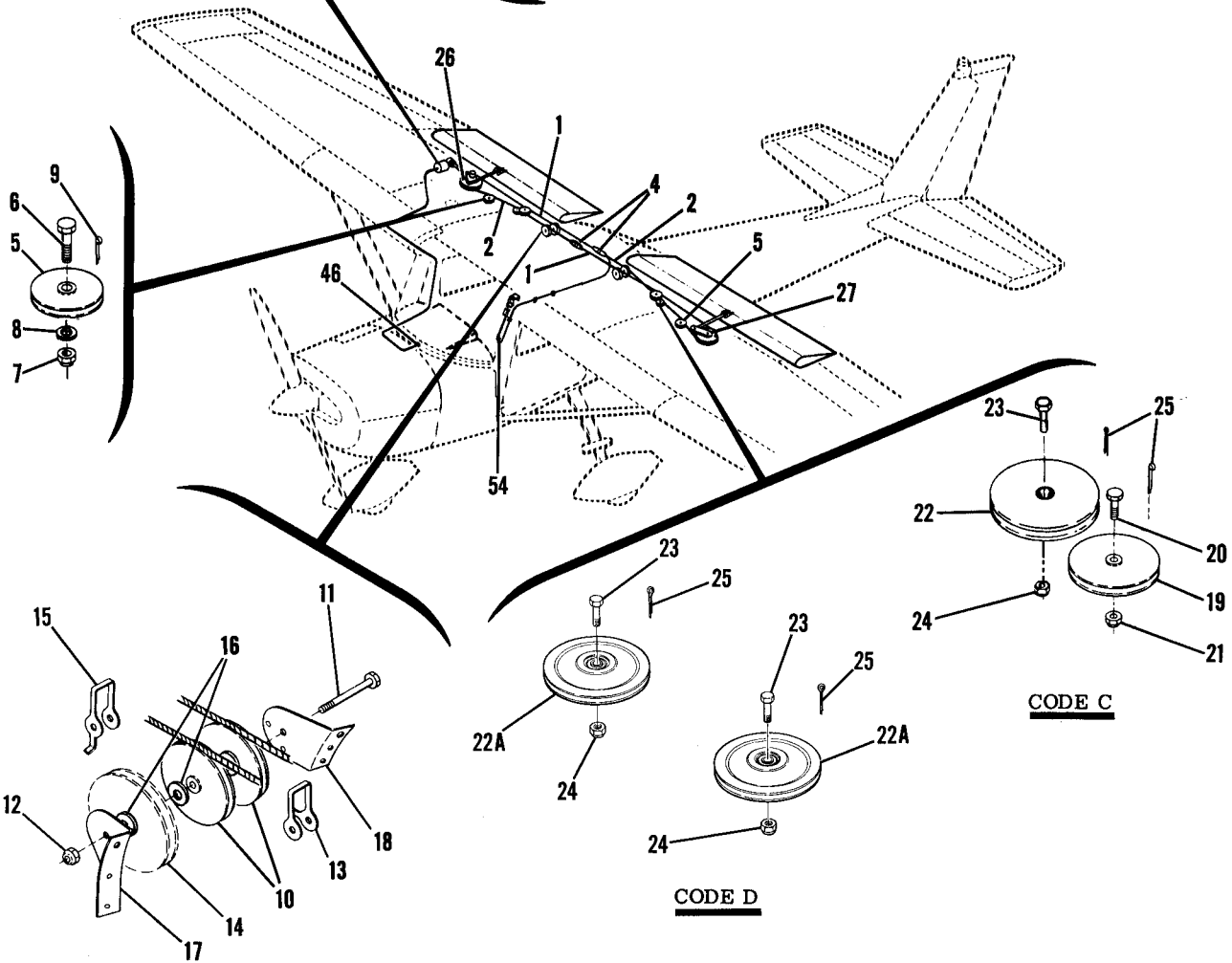
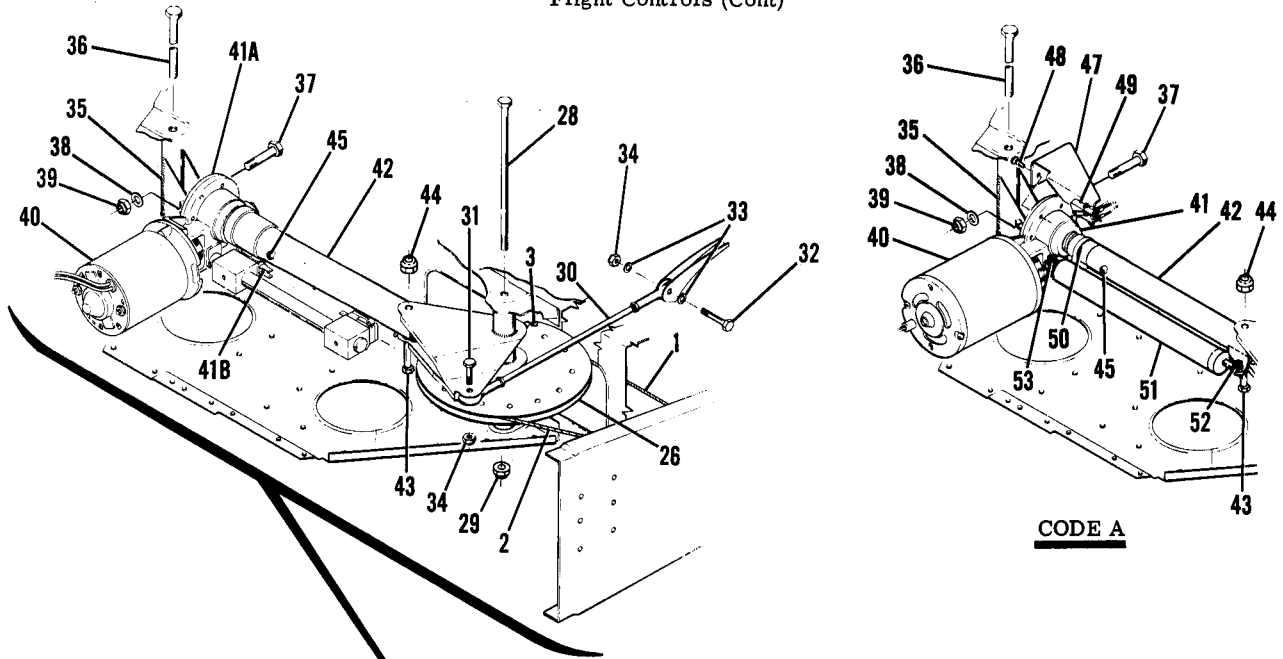


Figure 69. Electric Flap System Installation

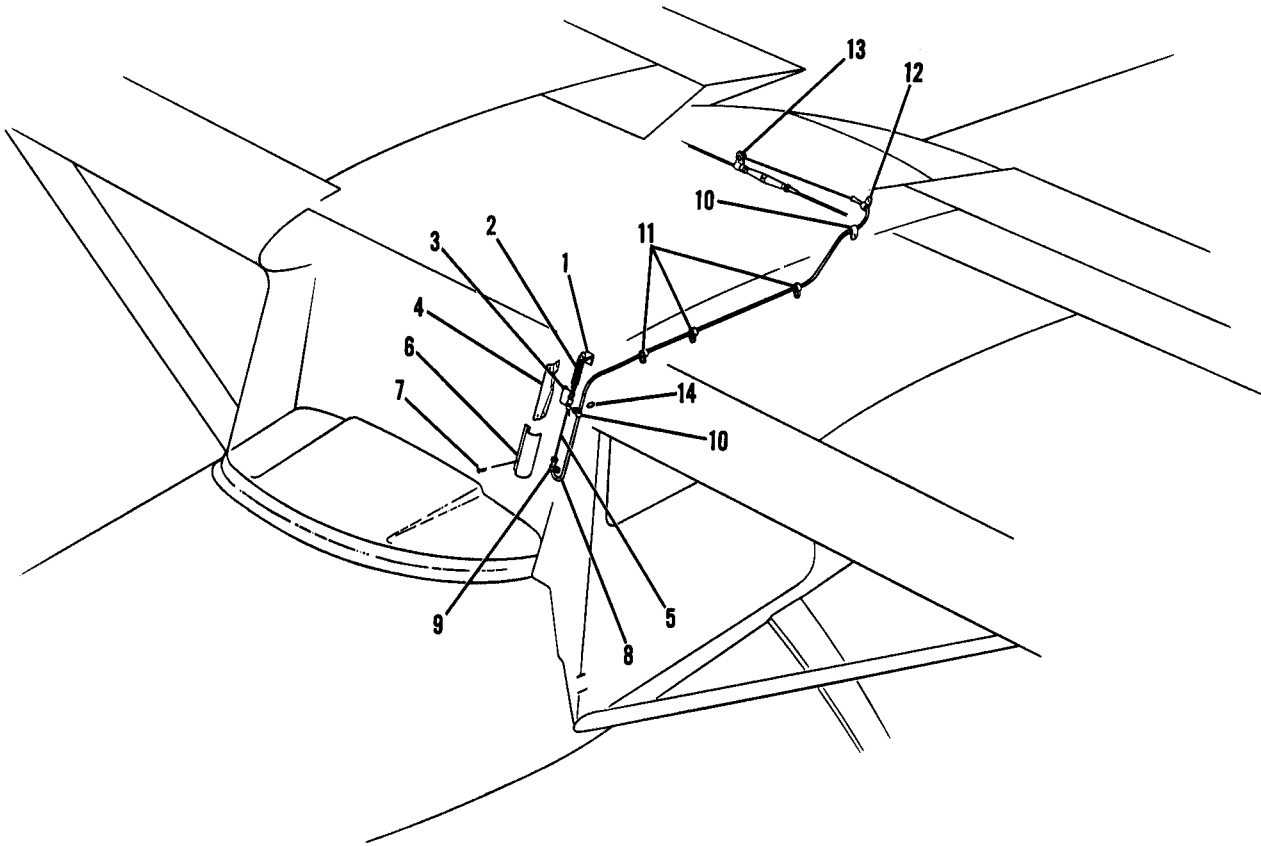
FIGURE AND INDEX NO.	PART NUMBER	DESCRIPTION	UNITS PER ASSY	USABLE ON CODE
69 -30	0523537	ROD ASSEMBLY ----- ATTACHING PARTS -----	2	
-31	AN3-7A	BOLT ATTACH BELLCRANK END -----	1	
-32	AN3-11A	BOLT ATTACH TO FLAP END -----	1	
-33	AN960-10	WASHER ATTACH AT FLAP END -----	5	
-34	MS21044N3	NUT -----	1	
		-----*		
-35	0760619-1	HINGE ASSEMBLY-FLAP MOTOR ----- ATTACHING PARTS -----	1	
-36	AN4-56A	BOLT -----	1	
	0523536	BUSHING -----	1	
	MS21042L4	NUT -----	1	
		-----*		
	B610	BEARING TOR -----	1	
	C301002-0301	ACTUATOR & MOTOR ASSEMBLY FSO C301002-0301 & SK150-41 ----- ACTUATOR & MOTOR ASSEMBLY -----	1 1	A B
		ATTACHING PARTS -----		
-37	AN6-15A	BOLT -----	1	
-38	AN960-616	WASHER -----	1	
-39	MS21042L6	NUT -----	1	
		-----*		
-40	C301002-0103	MOTOR-FLAP ACTUATOR -----	1	
-41		ACTUATOR ASSEMBLY-FLAP FSO C301002-0301 & SK150-41 -----	1	A
-41A	C301002-0308	ACTUATOR & SWITCH BAR ASSY -----	1	B
-41B	S1906-2	SWITCH-FLAP LIMIT ----- ATTACHING PARTS -----	2	B
	AN515-4-9	SCREW -----	2	B
	AN936A4	NUT -----	2	B
		-----*		
	C301001-0211	COUPLING -----	1	
-42	0409007-4	TUBE ASSEMBLY-FLAP -----	1	A
-42A	0760620-1	TUBE ASSEMBLY-FLAP FSO 0760620-9 -----	NP	E
	0760620-9	TUBE ASSEMBLY-FLAP ----- ATTACHING PARTS -----	1	G
		-----*		
-43	AN4-15A	BOLT -----	1	
	0760614-1	BUSHING -----	1	
-44	MS21042L5	NUT -----	1	
		-----*		
	S1003-66A	BEARING -----	1	
-45	AN565D8H3	SET SCREW -----	1	F
	AN565B428H4	SET SCREW -----	1	G
-46	S1661-2	SWITCH-FLAP CONTROL -----	1	
-47	0420019-1	SUPPORT-FLAP LIMIT SWITCH ----- ATTACHING PARTS -----	1	A
-48	AN507-1032R12	SCREW -----	2	A
	AN936B10	WASHER -----	2	A
		-----*		
-49	S1906-1	SWITCH-FLAP LIMIT CRYE ----- ATTACHING PARTS -----	1	A
	AN515-4R12	SCREW -----	2	A
	NAS620-4	WASHER -----	2	A
	AN340-4	NUT -----	2	A
		-----*		
-50	S1601-16	CLAMP ----- ATTACHING PARTS -----	1	A
	AN520-10R24	SCREW -----	1	A
	AN960-10	WASHER -----	1	A
	MS21044N3	NUT -----	1	A
		-----*		
-51	10650	CYLINDER ----- ATTACHING PARTS -----	1	A
-52	NAS221-10	SCREW -----	1	A
	AN960-10L	WASHER -----	1	A
	MS21044N3	NUT -----	1	A
-53	NAS221-14	SCREW -----	1	A
	AN960-10	WASHER -----	1	A
	MS21044N3	NUT -----	1	A
	NAS43HT3-4	SPACER BETWEEN CYLINDER & BRACKET -----	1	A
	0409007-2	BRACKET -----	1	A
		-----*		

CONTINUED ON NEXT PAGE

FIGURE AND INDEX NO.	PART NUMBER	DESCRIPTION							UNITS PER ASSY	USABLE ON CODE
		1	2	3	4	5	6	7		
69 -54	SEE FIG 70 SEE FIG 70A	FLAP POSITION INDICATOR INSTALLATION ----- FLAP POSITION INDICATOR INSTALLATION ----- NOTE. *WHEN ORDERING THIS PART ALSO ORDER ONE AN5658428H4 SET SCREW. A---150 SERIAL 15071129 THRU 15072629 F150 SERIAL F15000530 THRU F15000738 A150 SERIAL A1500001 THRU A1500277 FA150 SERIAL FA1500001 THRU FA1500132 B---150 SERIAL 15072630 & ON F150 SERIAL F15000739 & ON A150 SERIAL A1500278 & ON FA150 SERIAL FA1500133 & ON C---150 SERIAL 15071129 THRU 15074399 F150 SERIAL F15000530 THRU F15000943 A150 SERIAL A1500001 THRU A1500387 FA150 SERIAL FA1500001 THRU FA1500211 D---150 SERIAL 15074400 & ON F150 SERIAL F15000944 & ON A150 SERIAL A1500388 & ON FA150 SERIAL FA1500212 & ON E---150 SERIAL 15072630 THRU 15075326 F150 SERIAL F15000739 THRU F15001073 A150 SERIAL A1500278 THRU A1500464 FA150 SERIAL FA1500133 THRU FA1500236 F---150 SERIAL 15071129 THRU 15075326 F150 SERIAL F15000530 THRU F15001073 A150 SERIAL A1500001 THRU A1500464 FA150 SERIAL FA1500001 THRU FA1500236 G---150 SERIAL 15075327 & ON F150 SERIAL F15001074 & ON A150 SERIAL A1500465 & ON FA150 SERIAL FA1500237 & ON H---150 SERIAL 15071129 THRU 15078505 F150 SERIAL F15000530 THRU F15001338 A150 SERIAL A1500001 THRU A1500684 FA150 SERIAL FA1500001 THRU FA1500311 J---150 SERIAL 15078506 & ON F150 SERIAL F15001339 & ON A150 SERIAL A1500685 & ON FA150 SERIAL FA1500312 & ON							1 1	H J

This page intentionally left blank.

Flight Controls (Cont)



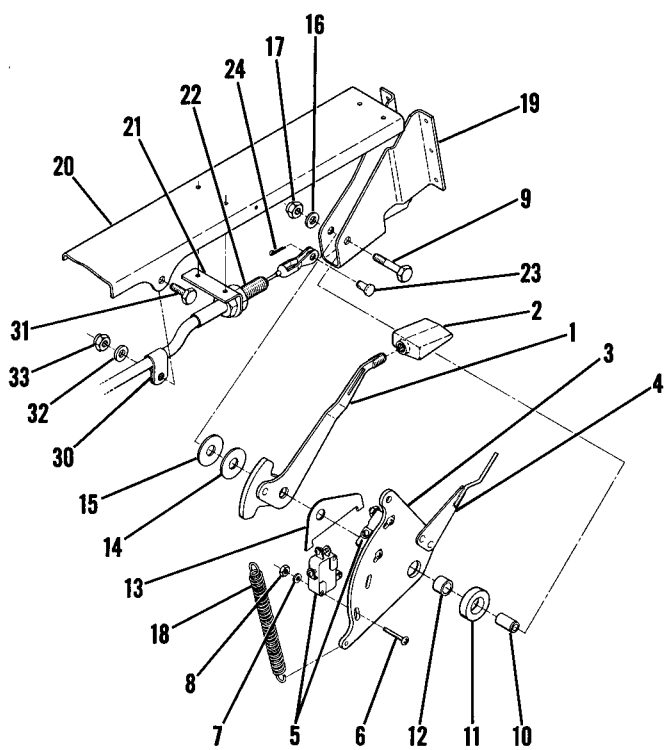
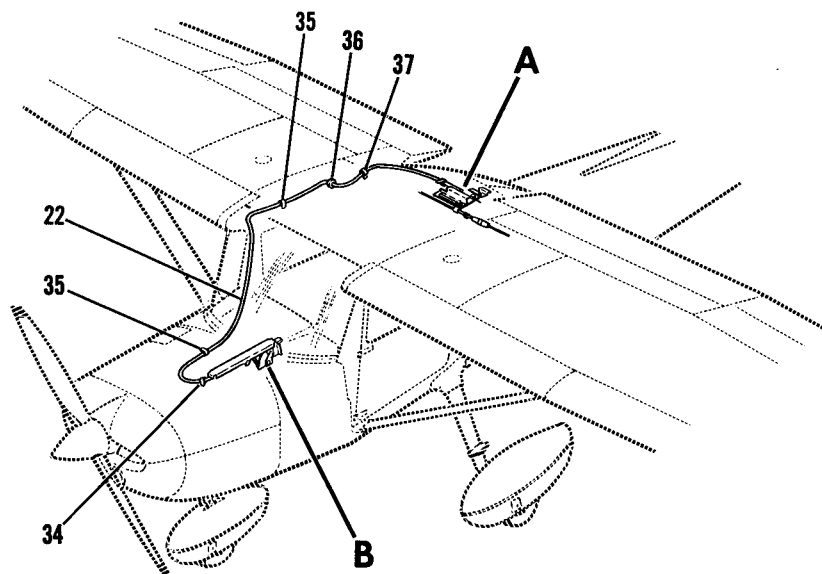
**150 SERIAL 15071129 THRU 15078505
F150 SERIAL F15000530 THRU F15001338
A150 SERIAL A1500001 THRU A1500684
FA150 SERIAL FA1500001 THRU FA1500311**

Figure 70. Flap Position Indicator Installation

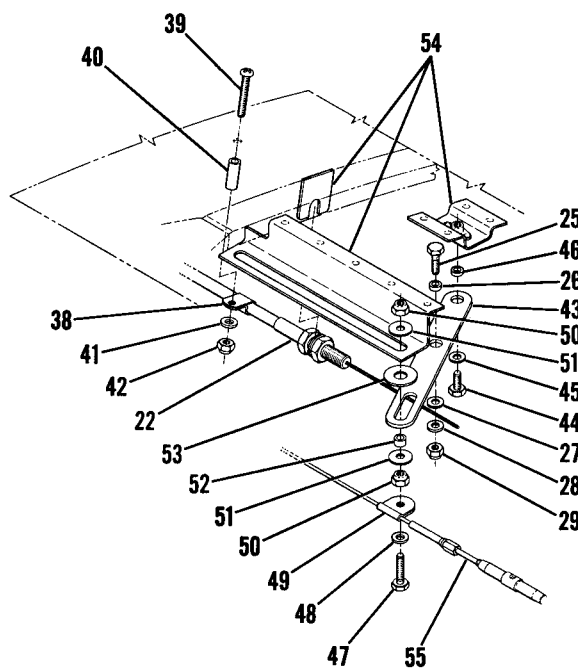


FIGURE AND INDEX NO.	PART NUMBER	DESCRIPTION	UNITS PER ASSY	USABLE ON CODE
		1 2 3 4 5 6 7		
70 -		FLAP POSITION INDICATOR INSTALLATION -----	NP	D
- 1	0413447-2	CLAMP SUPPORT -----	1	
	S102126-6	ATTACHING PARTS -----		
		SCREW -----	1	
		-----*		
- 2	0413416-4	SPRING -----	1	
- 3	0413446-1	MARKER-FLAP POSITION -----	1	
- 4	0413445-1	SUPPORT-FLAP INDICATOR -----	1	
		ATTACHING PARTS -----		
	S102226-8C	SCREW -----	2	
		-----*		
- 5	0413416-6	WIRE -----	1	
- 6	0413449-1	TRIM -----	1	
		ATTACHING PARTS -----		
- 7	S102126-6	SCREW -----	2	
		-----*		
- 8	0413416-8	TUBE -----	1	
		ATTACHING PARTS -----		
- 9	AN742D3	CLAMP -----	1	
	NAS43DD1-10	SPACER -----	1	
	S102126-10	SCREW -----	1	
-10	AN742D3	CLAMP -----	5	
	S102126-6	SCREW -----	5	
-11	AN742D3	CLAMP -----	3	
	S102126-6	SCREW -----	3	
	AN520-10R20	SCREW -----	3	A
	NAS43HT3-44	SPACER -----	3	B
	22NM-02	NUT EN -----	3	B
-12	AN742D3	CLAMP -----	1	
	AN515-8R10	SCREW -----	1	
	NAS43DD3-16	SPACER -----	1	
	MS21044N08	NUT -----	1	
		-----*		
-13	AN742D3	CLAMP -----	1	
	AN515-8R8	SCREW -----	1	
	MS21044N08	NUT -----	1	
	SEE FIG 41	SHIELD ASSEMBLY-FLAP INDICATOR & DOORPOST -----	1	
-14	S1894-3	BULB-FLAP INDICATOR LIGHT -----	1	C
	25-207	SOCKET-INDICATOR LIGHT -----	1	C
		NOTE. □THIS PART NUMBER MUST HAVE A SECOND DASH NUMBER ADDED TO DENOTE COLOR. REFER TO HOW TO ORDER INTERIOR PARTS-PAGE VII.		
		A---150 SERIAL 15071129 THRU 15078505 F150 SERIAL F15000530 THRU F15001338		
		B---A150 SERIAL A1500001 THRU A1500684 FA150 SERIAL FA1500001 THRU FA1500311		
		C---150 SERIAL 15072004 THRU 15078505 F150 SERIAL F15000659 THRU F15001338 A150 SERIAL A1500227 THRU A1500684 FA150 SERIAL FA1500082 THRU FA1500311		
		D---150 SERIAL 15071129 THRU 15078505 F150 SERIAL F15000530 THRU F15001338 A150 SERIAL A1500001 THRU A1500684 FA150 SERIAL FA1500001 THRU FA1500311		

Flight Controls (Cont)



Detail B



Detail A

150 SERIAL 15078506 & ON
F150 SERIAL F15001339 & ON
A150 SERIAL A1500685 & ON
FA150 SERIAL FA1500312 & ON

Figure 70A. Flap Position Indicator Installation



FIGURE AND INDEX NO.	PART NUMBER	DESCRIPTION	UNITS PER ASSY	USABLE ON CODE
70A-		FLAP POSITION INDICATOR INSTALLATION -----	NP	A
- 1	0460207-1	LEVER ASSY-FLAP -----	1	
- 2	S1771-3	KNOB-FLAP LEVER -----	1	
- 3	0460210-1	INDICATOR ASSY-FLAP -----	1	
- 4	0460210-3	INDICATOR-FLAP -----	1	
- 5	S1906-1	SWITCH-FLAP LIMIT -----	2	
		ATTACHING PARTS		
- 6	AN515-4R12	SCREW -----	2	
- 7	NAS620-4	WASHER -----	2	
	1670019-1	INSULATOR -----	1	
- 8	AN340-4	NUT -----	2	
		---*---		
- 9	AN3-10A	BOLT -----	1	
-10	NAS75-3-018	BUSHING -----	1	
-11	S1438-9	WASHER -----	1	
-12	1512280-24	BUSHING -----	1	
-13	0460206-1	SPACER -----	1	
-14	1512280-25	WASHER -----	1	
-15	1452533-2	WASHER -----	1	
-16	AN960-10	WASHER -----	1	
-17	MS21044N3	NUT -----	1	
-18	0460216-1	SPRING-FLAP INDICATOR -----	1	
-19	0460208-1	BRACKET-FLAP INDICATOR -----	1	
-20	0460209-1	BRACKET ASSY-FLAP CONTROL -----	1	
-21	0460209-3	BRACKET-FLAP CONTROL -----	1	
-22	9864050-8	CABLE ASSY-FLAP CONTROL -----	1	
		ATTACHING PARTS		
-23	MS20392-2C7	PIN -----	1	
-24	MS24665-134	PIN-COTTER -----	1	
-25	0470311-7	CLAMP -----	1	
-26	NAS43HT3-6	SPACER -----	1	
-27	AN960-10L	WASHER -----	1	
-28	AN960-10	WASHER -----	1	
-29	MS21044N3	NUT -----	1	
		---*---		
-30	AN742D5	CLAMP -----	1	
		ATTACHING PARTS		
-31	AN3-4A	BOLT -----	1	
-32	AN960-10	WASHER -----	1	
-33	MS21044N3	NUT -----	1	
		---*---		
-34	AN742D5	CLAMP -----	1	
		ATTACHING PARTS		
	AN515-8R8	SCREW -----	1	
	AN960-8	WASHER -----	1	
	MS21044N08	NUT -----	1	
		---*---		
-35	AN742D5	CLAMP -----	2	
		ATTACHING PARTS		
	AN520-10R8	SCREW -----	1	
	AN960-10	WASHER -----	1	
	MS21044N3	NUT -----	1	
		---*---		
-36	MS35489-14	GROMMET -----	1	
-37	AN742D5	CLAMP -----	1	
		ATTACHING PARTS		
	AN520-8R8	SCREW -----	1	
	AN960-8	WASHER -----	1	
	MS21044N08	NUT -----	1	
		---*---		
-38	AN742D5	CLAMP -----	1	
		ATTACHING PARTS		
-39	AN520-10R20	SCREW -----	1	
-40	NAS43DD3-48	SPACER -----	1	
-41	AN960-10	WASHER -----	1	
-42	MS21044N3	NUT -----	1	
		---*---		

CONTINUED ON NEXT PAGE

FIGURE AND INDEX NO.	PART NUMBER	DESCRIPTION	UNITS PER ASSY	USABLE ON CODE
70A-43	0460217-1	BELLCRANK-FLAP INDICATOR ----- ATTACHING PARTS	1	
-44	AN3-3A	BOLT -----	1	
-45	AN960-10L	WASHER -----	1	
-46	NAS43HT3-6	SPACER -----	1	
-47	NAS428-3-7	BOLT -----	1	
-48	AN960-10L	WASHER -----	1	
-49	0460218-1	CLAMP-FLAP INDICATOR -----	1	
-50	MS21044N3	NUT -----	2	
-51	S1450-3-10-032	WASHER -----	2	
-52	NAS43HT3-12	SPACER -----	1	
-53	1512280-25	WASHER ----- -----*	1	
-54	SEE FIG 29	BRACKETS-FLAP INDICATOR -----	AR	
-55	SEE FIG 69	CABLE-FLAP -----	AR	
		A---150 SERIAL 15078506 & ON F150 SERIAL F15001339 & ON A150 SERIAL A1500685 & ON FA150 SERIAL FA1500312 & ON		

This page intentionally left blank.

Flight Controls (Cont)

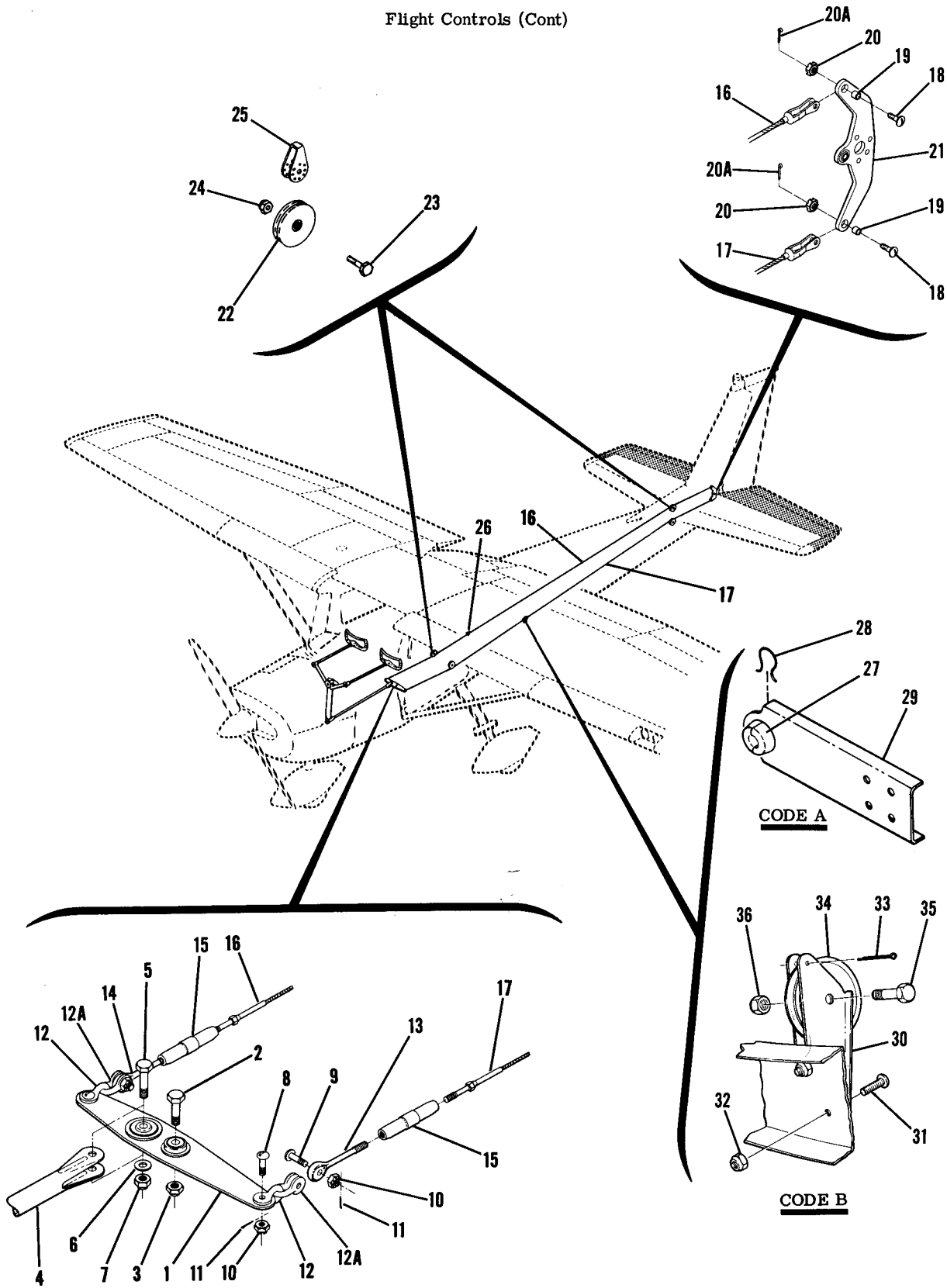


Figure 71. Elevator Control System Installation

FIGURE AND INDEX NO.	PART NUMBER	DESCRIPTION	UNITS PER ASSY	USABLE ON CODE
71 -		ELEVATOR CONTROL SYSTEM INSTALLATION -----	NP	
- 1	0411258-1	BELLCRANK-ELEVATOR FORWARD -----	1	
		ATTACHING PARTS		
- 2	AN4-10A	BOLT -----	1	
- 3	MS21042L4	NUT -----	1	
		-----*		
- 4	0460116-3	TUBE-BELLCRANK TO CONTROL Y -----	1	
		ATTACHING PARTS		
- 5	AN4-11A	BOLT -----	1	
- 6	AN960-416	WASHER -----	1	
- 7	MS21042L4	NUT -----	1	
		-----*		
- 8	AN23-10	BOLT -----	2	
- 9	AN23-11	BOLT -----	2	
-10	AN310-3	NUT -----	4	
-11	MS24665-132	PIN-COTTER -----	4	
-12	AN115-21	SHACKLE -----	2	
-12A	0533010-1	SHACKLE -----	2	
-13	AN165-22RL	EYE-TURNBUCKLE LH -----	1	
-14	AN165-22RS	EYE-TURNBUCKLE RH -----	1	
-15	AN155-32S	BARREL-TURNBUCKLE -----	2	
-16	0400107-5	CABLE-ELEVATOR CONTROL UP -----	1	
	0400107-105	CABLE-ELEVATOR CONTROL UP STAINLESS STEEL -----	1	
-17	0400107-9	CABLE-ELEVATOR CONTROL DOWN -----	1	
	0400107-109	CABLE-ELEVATOR CONTROL DOWN STAINLESS STEEL -----	1	
		ATTACHING PARTS		
-18	AN3-5A	BOLT -----	1	C
	AN23-11	BOLT -----	1	D
-19	NAS43HT3-13	SPACER -----	1	
-20	MS21044N3	NUT -----	1	C
	AN320-3	NUT -----	1	D
-20A	MS24665-134	PIN-COTTER -----	1	D
		-----*		
-21	SEE FIG 20	BELLCRANK ASSEMBLY-ELEVATOR REAR -----	1	
-22	S378-3	PULLEY -----	4	
		ATTACHING PARTS		
-23	AN4-10A	BOLT -----	1	
-24	MS21042L4	NUT -----	1	
		-----*		
-25	0411421-2	GUARD -----	4	
-26	S338-1	FAIRLEAD-HALF -----	2	
		ATTACHING PARTS		
	S339-1	CLIP -----	1	
		-----*		
-27	S338-1	FAIRLEAD-HALF -----	2	A
-28	S339-1	CLIP -----	1	A
-29	0460201-1	RETAINER-CABLE GUIDE -----	1	A
-30	0460150-1	BRACKET -----	1	B
		ATTACHING PARTS		
-31	AN520-10R6	SCREW -----	2	B
-32	MS21044N3	NUT -----	2	B
		-----*		
-33	MS24665-134	PIN-COTTER -----	1	B
-34	S378-3	PULLEY -----	1	B
		ATTACHING PARTS		
-35	AN4-10A	BOLT -----	1	B
-36	MS21042L4	NUT -----	1	B
		-----*		
<p>A---150 SERIAL 15071129 THRU 15074661 F150 SERIAL F15000539 THRU F15001062 A150 SERIAL A1500001 THRU A1500415 F150 SERIAL F1500001 THRU FA1500235</p> <p>B---150 SERIAL 15074662 & ON F150 SERIAL F15001063 & ON A150 SERIAL A1500416 & ON FA150 SERIAL FA1500236 & ON</p> <p>C---150 SERIAL 15071129 THRU 15075943 F150 SERIAL F15000530 THRU F15001143 A150 SERIAL A1500001 THRU A1500541 FA150 SERIAL FA1500001 THRU FA1500261</p> <p>D---150 SERIAL 15075944 & ON F150 SERIAL F1500144 & ON A150 SERIAL A1500542 & ON FA150 SERIAL FA1500262 & ON</p>				

Flight Controls (Cont)

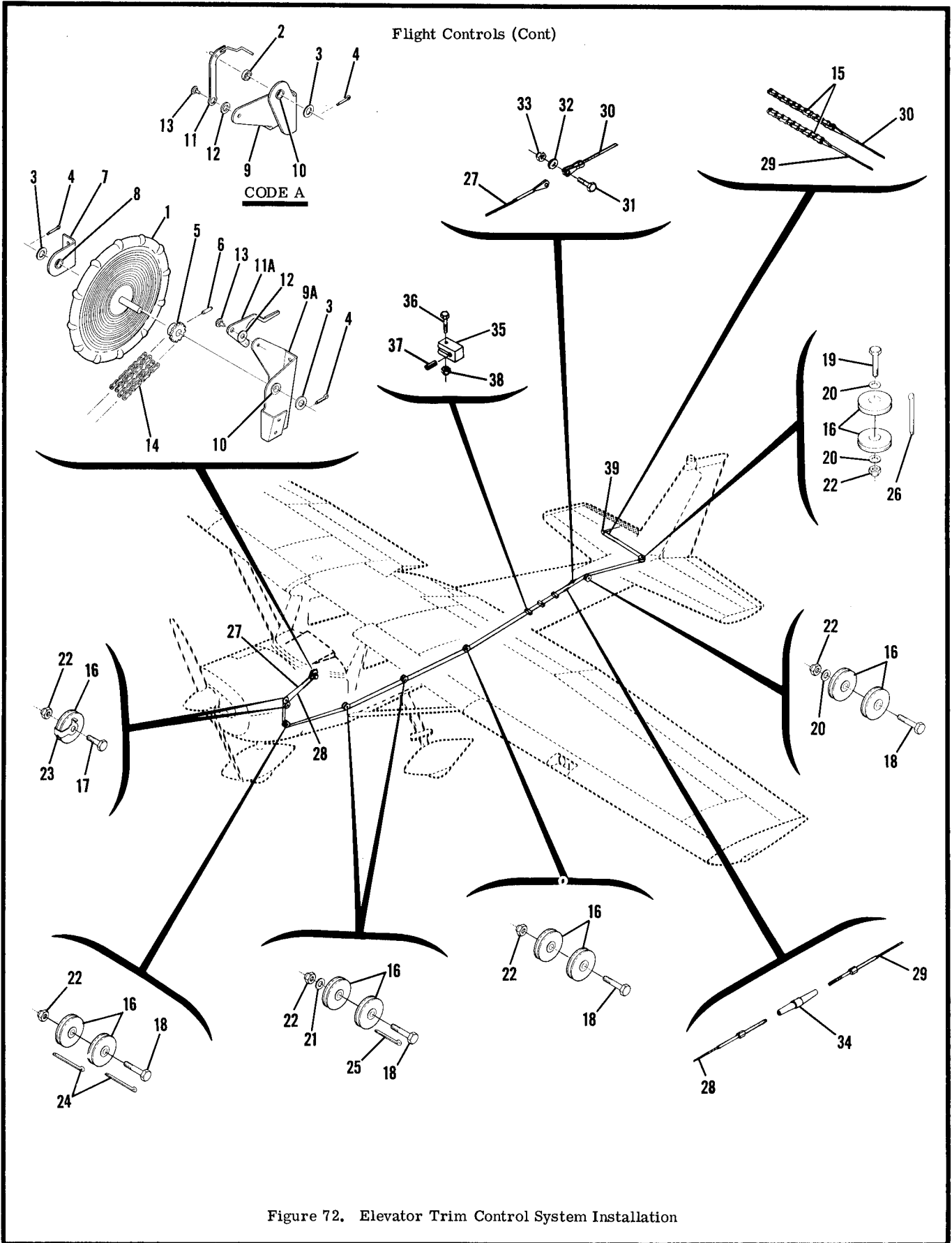


FIGURE AND INDEX NO.	PART NUMBER	DESCRIPTION	UNITS PER ASSY	USABLE ON CODE
72 -		ELEVATOR TRIM CONTROL SYSTEM INSTALLATION -----	NP	
- 1	0460127-2	WHEEL ASSEMBLY-TAB CONTROL ----- ATTACHING PARTS	1	
- 2	NAS43DD4-4	SPACER -----	2	A
- 3	AN960-416L	WASHER -----	2	
- 4	MS24665-5	PIN-COTTER ----- *-----	2	
- 5	0432134-1	SPROCKET ----- ATTACHING PARTS	1	
- 6	NAS561P3-8	ROLL PIN ----- *-----	1	
- 7	0460132-1	BRACKET ASSEMBLY -----	1	
- 8	S1896-4L1	BEARING -----	1	
- 9	0460133-3	SUPPORT ASSEMBLY -----	1	A
- 9A	0460152-1	BRACKET ASSY -----	1	B
-10	S1896-4L1	BEARING -----	1	
-11	0460131	INDICATOR ARM ASSEMBLY -----	1	A
-11A	0460153-1	INDICATOR ARM ASSY ----- ATTACHING PARTS	1	B
-12	AN960D10L	WASHER -----	1	
-13	1460315-10	PIN ----- *-----	1	
-14	0432138-1 C4189	CHAIN-ELEVATOR TRIM ----- MASTER LINK-CHAIN -----	1 AR	
-15	0432138-8 C4189	CHAIN-ELEVATOR TRIM ----- MASTER LINK-CHAIN -----	1 AR	
-16	S378-1L	PULLEY ----- ATTACHING PARTS	14	
-17	AN3-5A	BOLT -----	1	
-18	AN3-10A	BOLT -----	1	
-19	AN3-11A	BOLT -----	1	
-20	AN960-10	WASHER -----	2	
-21	AN960-10L	WASHER -----	1	
-22	MS21044N3	NUT ----- *-----	1	
-23	0460124-1	GUARD-CABLE -----	2	
-24	MS24665-138	PIN-COTTER CABLE GUARD -----	2	
-25	MS24665-285	PIN-COTTER CABLE GUARD -----	2	
-26	MS24665-355	PIN-COTTER CABLE GUARD -----	1	
-27	0400107-56	CABLE-TAB WHEEL TO DISCONNECT -----	1	
	0400107-156	CABLE-TAB WHEEL TO DISCONNECT STAINLESS STEEL -----	1	
-28	0400107-55	CABLE-TAB WHEEL TO TURNBUCKLE -----	1	
	0400107-155	CABLE-TAB WHEEL TO TURNBUCKLE STAINLESS STEEL -----	1	
-29	0400107-30	CABLE-TAB ACTUATOR TO TURNBUCKLE -----	1	
	0400107-130	CABLE-TAB ACTUATOR TO TURNBUCKLE STAINLESS STEEL -----	1	
-30	0400107-28	CABLE-TAB ACTUATOR TO DISCONNECT -----	1	A
	0400107-57	CABLE-TAB ACTUATOR TO DISCONNECT -----	1	B
	0400107-128	CABLE-TAB ACTUATOR TO DISCONNECT STAINLESS STEEL -----	1	A
	0400107-157	CABLE-TAB ACTUATOR TO DISCONNECT STAINLESS STEEL ----- ATTACHING PARTS	1	B
-31	AN3-4A	BOLT -----	1	
-32	AN960-10	WASHER -----	1	
-33	MS21044N3	NUT ----- *-----	1	
-34	AN155-8L	BARREL-TURNBUCKLE -----	1	
-35	0411523	BLGCK-ELEVATOR TAB -----	3	
-36	AN3-6	BOLT -----	1	
-37	0411524	BUSHING -----	1	
-38	MS20365-1032C	NUT -----	1	
-39	SEE FIG 18	ACTUATOR ASSEMBLY-ELEVATOR TAB -----	1	
<p>A---150 SERIAL 15072119 THRU 15077005 F150 SERIAL F15000530 THRU F15001248 A150 SERIAL A1500001 THRU A1500609 FA150 SERIAL FA1500001 THRU FA1500281</p> <p>B---150 SERIAL 15077006 & ON F150 SERIAL F15001249 & ON A150 SERIAL A1500610 & ON FA150 SERIAL FA1500282 & ON</p>				

Pitot System

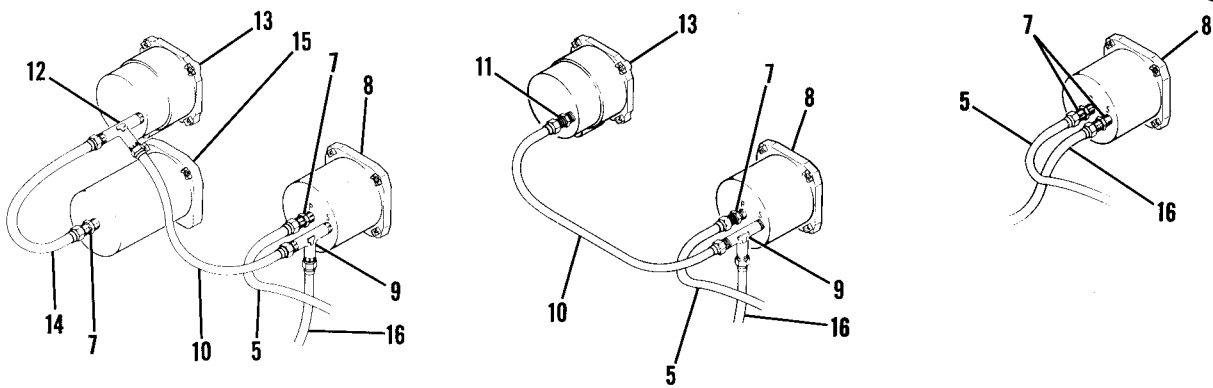
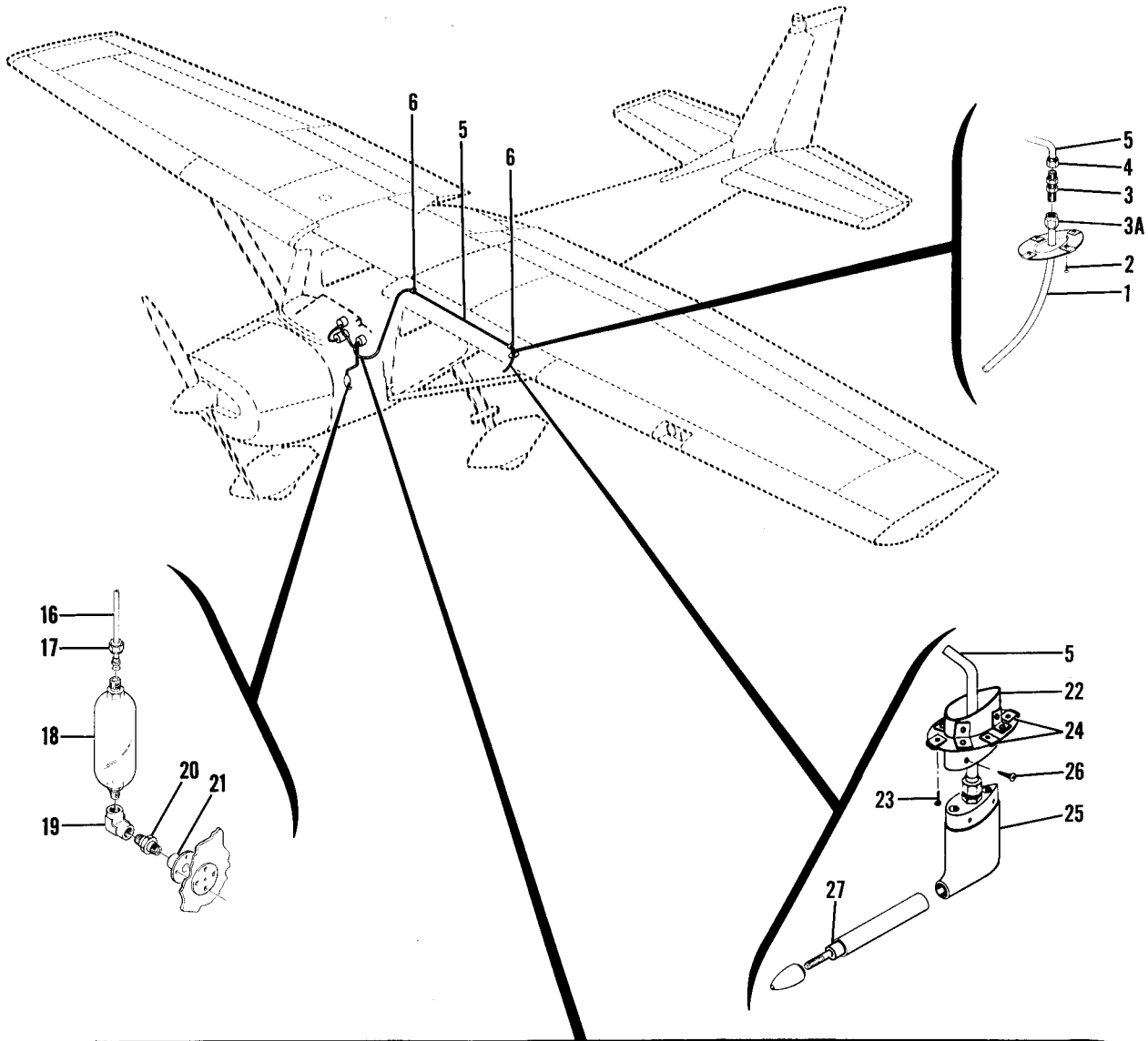


Figure 73. Pitot System Installation

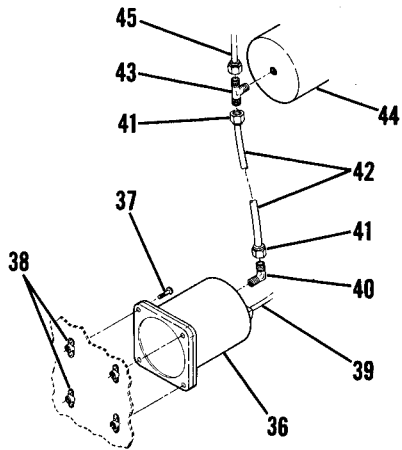


FIGURE AND INDEX NO.	PART NUMBER	DESCRIPTION	UNITS PER ASSY	USABLE ON CODE
73 -		PITOT SYSTEM INSTALLATION -----	NP	
- 1	0521103-2	TUBE ASSEMBLY-PITOT WEU 0521103-4 -----	1	A
	0521103-4	TUBE ASSEMBLY-PITOT -----	1	B
		ATTACHING PARTS -----		
- 2	S1021Z8-8	SCREW -----	4	
		-----*		
- 3	S1132-1	UNION-NYLON -----	1	
- 3A	S1130-1	NUT -----	1	B
- 4	S1130-1	NUT -----	1	
	S1131-1	INSERT -----	1	
- 5	S1071-1	TUBE-POLYETHYLENE-PITOT TUBE TO AIRSPEED INDICATOR -----	1	
		80.0 IN LG BULK ITEM REF S1071-1-80.0 -----		
		ATTACHING PARTS -----		
- 6	AN742D4	CLAMP -----	2	
	S1021Z8-8	SCREW -----	2	
	NAS395-12-3	NUT -----	2	
		-----*		
- 7	S1133-1	CONNECTOR-NYLON -----	2	
	S1130-1	NUT-NYLON -----	2	
	S1131-1	INSERT-NYLON -----	2	
- 8		INDICATOR-AIRSPEED SEE INSTRUMENT PANEL FIG -----	1	
- 9	S1139-1	TEE-NYLON -----	1	
	S1130-1	NUT-NYLON -----	2	
	S1131-1	INSERT-NYLON -----	2	
-10	S1071-1	TUBE-POLYETHYLENE-AIRSPEED TO ALTIMETER -----	1	
		* IN LG BULK ITEM REF S1071-1-* -----		
-11	S1133-1	CONNECTOR-NYLON USED WHEN VERT SPEED IS NOT INSTALLED -----	1	
-12	S1139-1	TEE-NYLON USED WHEN VERT SPEED IS INSTALLED -----	1	
	S1130-1	NUT-NYLON -----	2	
	S1131-1	INSERT-NYLON -----	2	
-13		ALTIMETER SEE INSTRUMENT PANEL FIG -----	1	
	SEE FIG 73A	ENCODING & DUAL ALTIMETER INSTL -----	AR	
-14	S1071-1	TUBE-POLYETHYLENE-ALTIMETER TO VERTICAL SPEED -----	1	
		* IN LG BULK ITEM REF S1071-1-* -----		
-15		INDICATOR-VERTICAL SPEED SEE INSTRUMENT PANEL FIG -----	1	
-16	S1071-1	TUBE-POLYETHYLENE-AIRSPEED TO SUMP -----	1	
		18.0 IN LG BULK ITEM REF S1071-1-18.0 -----		
-17	S1130-1	NUT-NYLON -----	1	
	S1131-1	INSERT-NYLON -----	1	
-18	S1258-1	SUMP-STATIC SOURCE -----	1	
-19	AN916-1D	ELBOW -----	1	
-20	AN911-1D	NIPPLE -----	1	
-21	S1776-1	BUTTON-PITOT STATIC LINE -----	1	
		HEATED PITOT TUBE INSTALLATION -----	NP	
-22	0721101-8	CONNECTOR ASSEMBLY -----	1	
		ATTACHING PARTS -----		
-23	S1021Z8-8	SCREW -----	4	
		-----*		
-24	NAS395-14-3	NUT -----	4	
-25	0721105-27	TUBE ASSEMBLY-HEATED PITOT -----	1	
		ATTACHING PARTS -----		
-26	AN507-640R4	SCREW -----	4	
		-----*		
-27	0721105-5	HEATER ASSEMBLY-PITOT -----	1	
		SWITCH & FUSE-HEATED PITCT SEE SWITCH INSTL FIG -----	1	

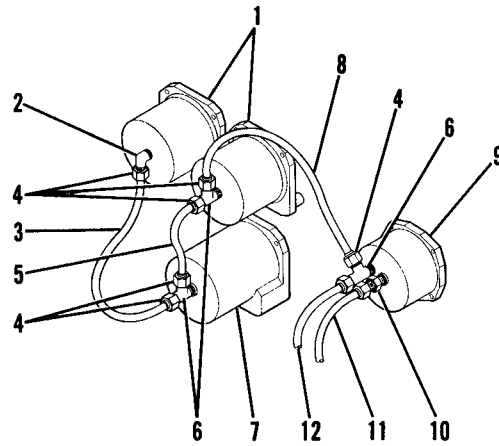
NOTE. *LENGTH TO BE ADDED LATER.

A---150 SERIAL 15072119 THRU 15072585
 F150 SERIAL F15000530 THRU F15000738
 A150 SERIAL A1500001 THRU A1500269
 FA150 SERIAL FA1500001 THRU FA1500121
 B---150 SERIAL 15072586 & ON
 F150 SERIAL F15000739 & ON
 A150 SERIAL A1500270 & ON
 FA150 SERIAL FA1500122 & ON

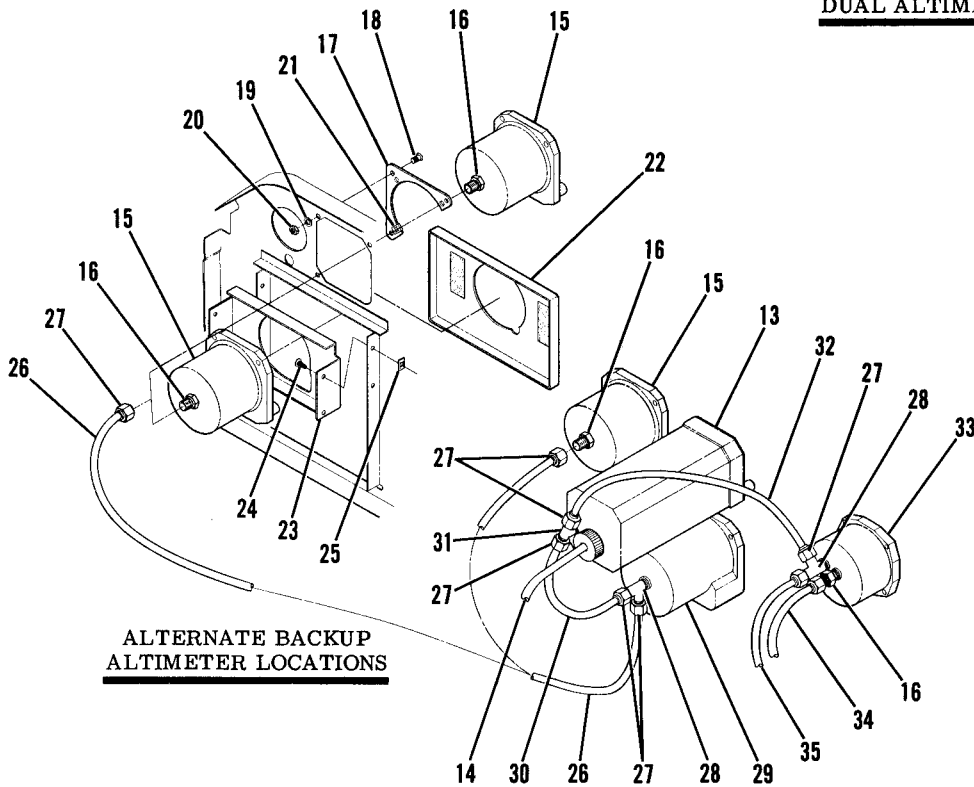
Pitot System (Cont)



BLIND ENCODER INSTL



DUAL ALTIMETER INSTL



ALTERNATE BACKUP
ALTIMETER LOCATIONS

ENCODING ALTIMETER INSTL

150 SERIAL 15075782 & ON
 F150 SERIAL F15001014 & ON
 A150 SERIAL A1500524 & ON
 FA150 SERIAL FA1500212 & ON

Figure 73A. Encoding & Dual Altimeter Installations

FIGURE AND INDEX NO.	PART NUMBER	DESCRIPTION	UNITS PER ASSY	USABLE ON CODE
73A-		DUAL ALTIMETER INSTALLATION -----	NP	A
- 1	C661071-0102	ALTIMETER-50 FT INCREMENTS -----	2	
	C661025-0102	ALTIMETER-20 FT INCREMENTS -----	2	
		ATTACHING PARTS		
	AN515B6R16	SCREW -----	3	
	AN936A68	WASHER -----	3	
	AN340B6	NUT -----	3	
		-----*		
- 2	S1135-1	ELBOW -----	1	
- 3	S1071-1	TUBE-ALTIMETER TO VERTICAL SPEED * IN LG BKI -----	1	
- 4	S1130-1	NUT -----	6	
	S1131-1	INSERT -----	6	
- 5	S1071-1	TUBE-ALTIMETER TO VERTICAL SPEED * IN LG BKI -----	1	
- 6	S1139-1	TEE -----	3	
- 7		INDICATOR-VERTICAL SPEED SEE INSTRUMENT PANEL FIG -----	1	
- 8	S1071-1	TUBE-ALTIMETER TO AIRSPEED * IN LG BKI -----	1	
- 9		INDICATOR-AIRSPEED SEE INSTRUMENT PANEL FIG -----	1	
-10	S1133-1	CONNECTOR -----	1	
-11	SEE FIG 73	TUBE ASSY-AIRSPEED TO PITOT TUBE -----	1	
-12	SEE FIG 73	TUBE ASSY-AIRSPEED TO SUMP -----	1	
		ENCODING ALTIMETER INSTALLATION -----	NP	B
-13	42540-3114	ALTIMETER-ENCODING FEET/INCHES ARC -----	1	C
	42540-3214	ALTIMETER-ENCODING FEET/MILIBARS ARC -----	1	
		ATTACHING PARTS		
	AN515B6R7	SCREW -----	3	
		-----*		
-14		CABLE ASSY SEE CESSNA ELECTRONICS MANUAL -----	1	
-15		ALTIMETER-BACKUP SEE INSTRUMENT PANEL FIG -----	1	
-16	S1133-1	CONNECTOR -----	2	
-17	0401013-5	ADAPTOR -----	1	
		ATTACHING PARTS		
-18	AN515B6R6	SCREW -----	3	
-19	AN936A6	WASHER -----	3	
-20	AN340B6	NUT -----	3	
		-----*		
-21	NAS488-1-1	NUT -----	3	
-22	0413554-4	COVER ASSY -----	1	D
	S2092-3	FASTENER-HOOK BKI -----	AR	D
-23	0413555-1	BRACKET ASSY -----	1	D
		ATTACHING PARTS		
-24	S1021Z6-6	SCREW -----	4	D
-25	NAS446-2-3	NUT -----	4	D
		-----*		
-26	S1071-1	TUBE-ALTIMETER TO VERTICAL SPEED * IN LG BKI -----	1	
-27	S1130-1	NUT -----	6	
	S1131-1	INSERT -----	6	
-28	S1139-1	TEE -----	2	
-29		INDICATOR-VERTICAL SPEED SEE INSTRUMENT PANEL FIG -----	1	
-30	S1071-1	TUBE-VERTICAL SPEED TO ENCODING ALTIMETER * IN LG -----	1	
-31	S1138-1	TEE -----	1	
-32	S1071-1	TUBE-ENCODING ALTIMETER TO AIRSPEED * IN LG BKI -----	1	
-33		INDICATOR-AIRSPEED SEE INSTRUMENT PANEL FIG -----	1	
-34	SEE FIG 73	TUBE ASSY-AIRSPEED TO PITOT TUBE -----	1	
-35	SEE FIG 73	TUBE ASSY-AIRSPEED TO SUMP -----	1	

CONTINUED ON NEXT PAGE

FIGURE AND INDEX NO.	PART NUMBER	DESCRIPTION	UNITS PER ASSY	USABLE ON CODE
73A-		1 2 3 4 5 6 7 BLIND ENCODER INSTALLATION -----	1	E
-36	C744001-0101	BLIND ENCODER -----	1	
-37	AN515-8R12	ATTACHING PARTS		
-38	NAS680A08K	SCREW -----	4	
-39		NUTPLATE -----	4	
-40	S1135-1	----*----		
-41	S1130-1	CABLE ASSY SEE CESSNA ELECTRONICS MANUAL -----	1	
-42	S1131-1	ELBOW -----	1	
-43	S1071-1	NUT -----	2	
-44	S1138-1	INSERT -----	2	
-45	SEE FIG 73	TUBE-ENCODER TO TEE * IN LG BKI -----	1	
		TEE -----	1	
		ALTIMETER OR VERTICAL SPEED SEE INSTRUMENT PANEL FIG -----	1	
		TUBE ASSY -----	1	
		NOTE. *LENGTH TO BE DETERMINED LATER.		
		NOTE. □THIS PART NUMBER MUST HAVE A SECOND DASH NUMBER ADDED TO DENOTE COLOR. REFER TO HOW TO ORDER INTERIOR PARTS-PAGE VII.		
		A---F150 SERIAL F15001014 & ON FA150 SERIAL FA1500212 & ON		
		B---150 SERIAL 15075782 & ON F150 SERIAL F15001249 & ON A150 SERIAL A1500524 & ON FA150 SERIAL F1500282 & ON		
		C---150 SERIAL 15075782 & ON A150 SERIAL A1500524 & ON		
		D---150 SERIAL 15077006 & ON F150 SERIAL F15001249 & ON A150 SERIAL A1500610 & ON FA150 SERIAL FA1500282 & ON		
		E---150 SERIAL 15078506 & ON F150 SERIAL F15001339 & ON A150 SERIAL A1500685 & ON FA150 SERIAL FA1500312 & ON		

This page intentionally left blank.

Stall Warning System

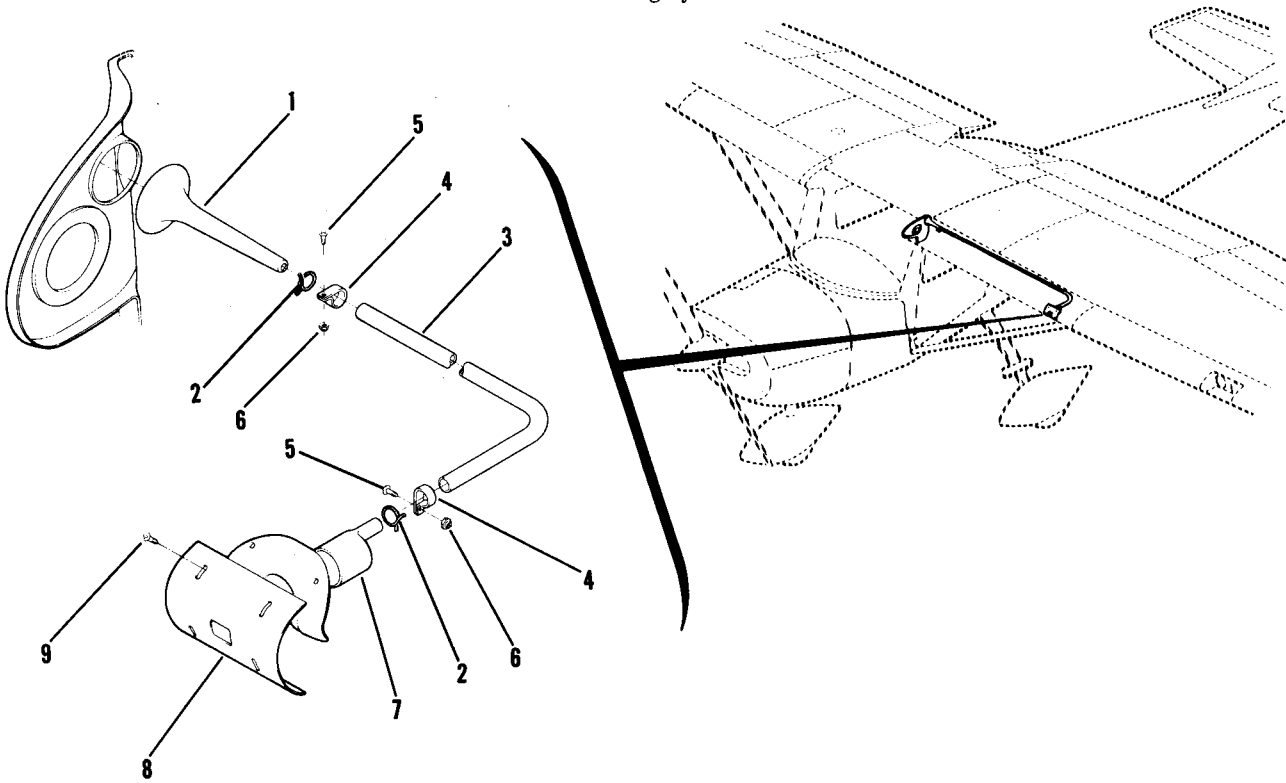


Figure 74. Stall Warning Horn Installation

FIGURE AND INDEX NO.	PART NUMBER	DESCRIPTION	UNITS PER ASSY	USABLE ON CODE
74 -		1 2 3 4 5 6 7		
- 1	0413483-1	STALL WARNING HORN INSTALLATION -----	NP	
- 2	S1494-8	HORN ASSEMBLY -----	1	
- 3	S1071-4	CLAMP -----	2	
		TUBE-53.75 IN LG BULK ITEM REF S1071-4-53.75 -----	1	
		ATTACHING PARTS -----		
- 4	AN742D8	CLAMP -----	4	
- 5	S1021Z6-6	SCREW -----	4	
- 6	NAS395-5-3	NUT -----	4	
		-----*		
- 7	0413485-1	SCOOP ASSY-STALL WARNING -----	1	
	0413485-2	SCREEN -----	1	
	0413028-5	SEAL-FELT -----	1	
- 8	0413028-4	PLATE-SCOOP -----	1	A
	0413028-8	PLATE-SCOOP -----	1	B
		ATTACHING PARTS -----		
- 9	S1021Z8-8	SCREW -----	4	
	NAS395-18-1	NUT -----	4	
		-----*		
		A---150 SERIAL 15071129 THRU 15072003 F150 SERIAL F15000530 THRU F15000658 A150 SERIAL A1500001 THRU A1500226 FA150 SERIAL FA1500001 THRU FA1500081		
		B---150 SERIAL 15072004 & ON F150 SERIAL F15000659 & ON A150 SERIAL A1500227 & ON FA150 SERIAL FA1500082 & ON		



FIGURE AND INDEX NO.	PART NUMBER	DESCRIPTION	UNITS PER ASSY	USABLE ON CODE
		1 2 3 4 5 6 7		
75 -		BRAKE SYSTEM INSTALLATION -----	NP	
- 1	SEE FIG 62	CYLINDER ASSEMBLY-BRAKE -----	2	A
	SEE FIG 63	CYLINDER ASSEMBLY-BRAKE -----	2	B
- 2	MS28778-4	PACKING -----	2	B
- 3	S1743-2	CONNECTOR -----	2	E
- 3A	1782001-1	NIPPLE -----	2	G
- 4	AN914-1D	ELBOW -----	2	F
- 4A	AN916-1D	ELBOW -----	2	G
- 5	S1810-1075	HOSE ASSEMBLY-BRAKE LH & RH -----	2	
- 6	0413436-2	BRACKET -----	1	
		ATTACHING PARTS		
- 7	S1021210-6	SCREW -----	2	
- 8	NAS395-25-3	NUT -----	2	
		---*---		
CONTINUED ON NEXT PAGE				

Brake System

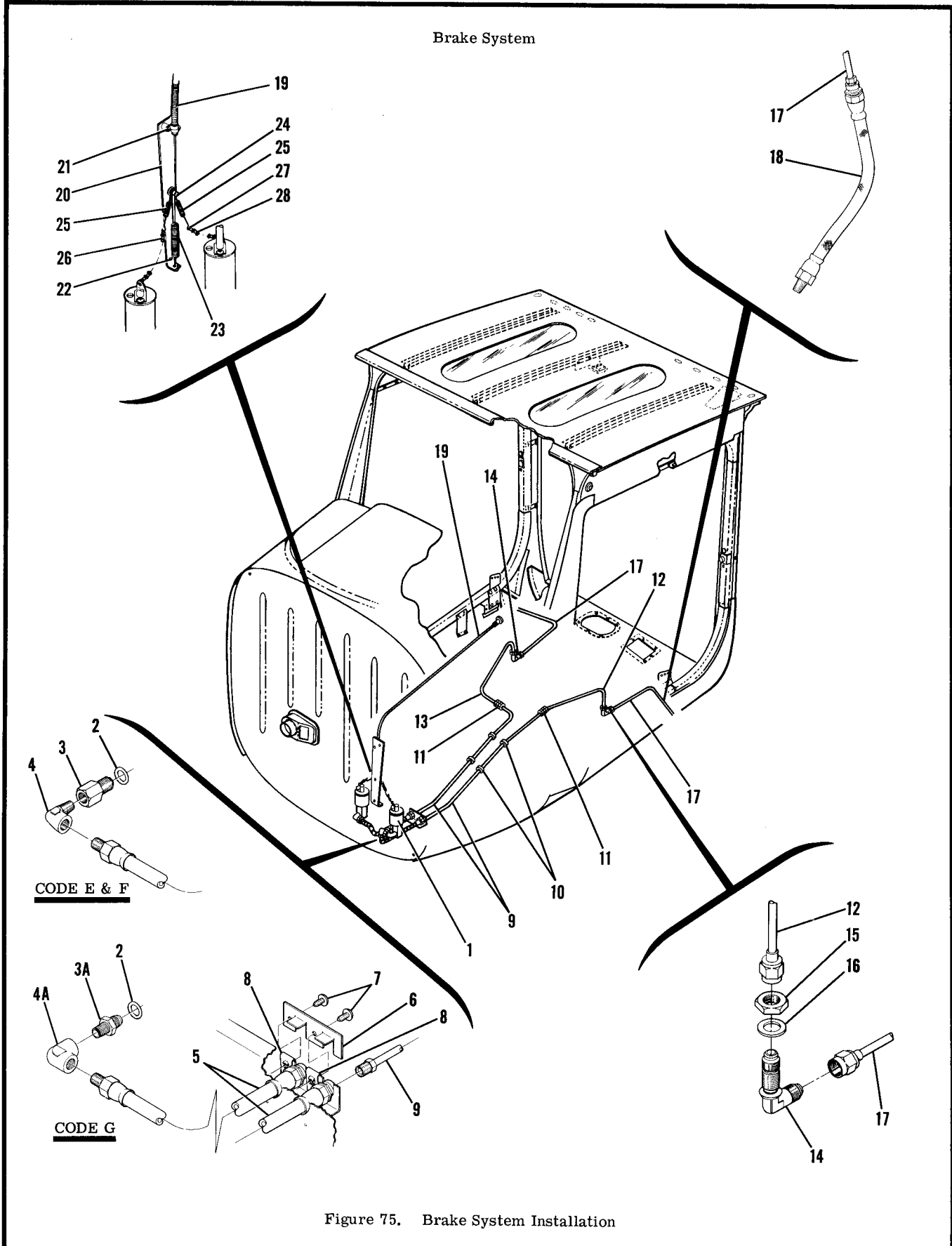
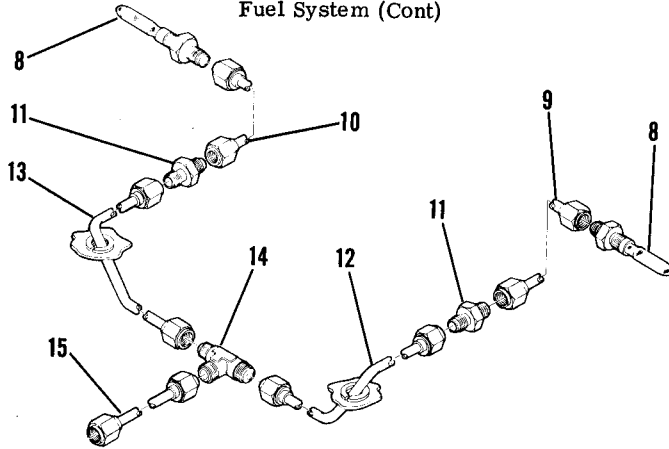


Figure 75. Brake System Installation

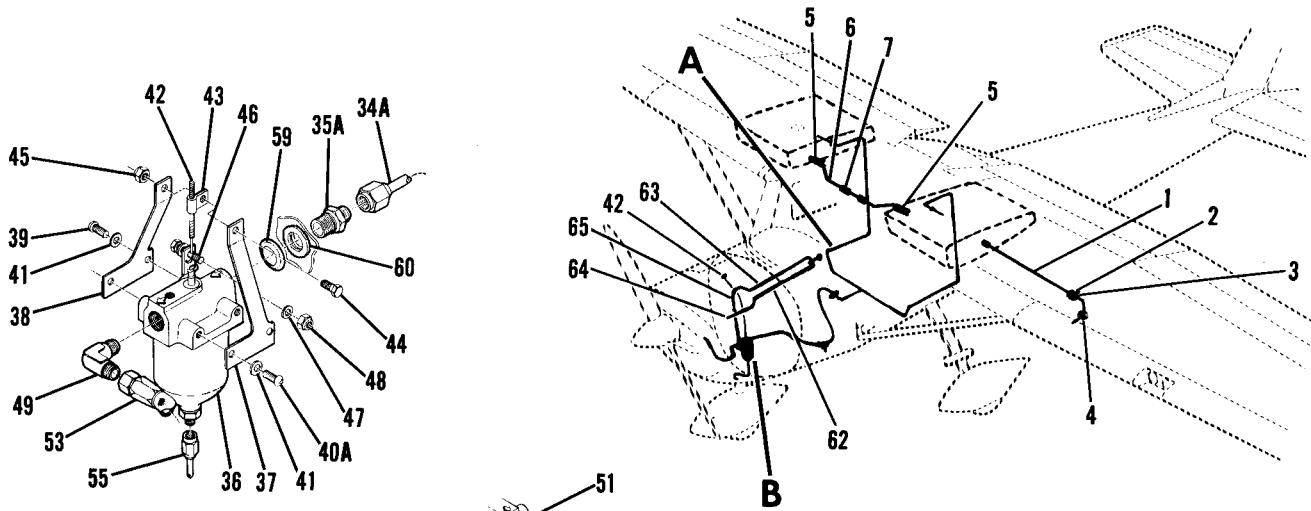


FIGURE AND INDEX NO.	PART NUMBER	DESCRIPTION	UNITS PER ASSY	USABLE ON CODE
75 - 9	0400311-98	LINE ASSEMBLY-BRAKE -----	2	
-10	MS35489-7	GROMMET -----	4	
-11	AN815-3D	UNION -----	2	
-12	0400311-97	LINE ASSEMBLY-BRAKE LH -----	1	
-13	0400311-96	LINE ASSEMBLY-BRAKE RH -----	1	
-14	AN833-3D	ELBOW -----	2	
-15	AN924-3D	NUT -----	2	
-16	AN960-716L	WASHER -----	2	
-17	0400311-99	LINE ASSEMBLY-BRAKE FUSELAGE TO HOSE -----	2	C
	SEE FIG 36A&36B	BRAKE LINE INSTALLATION FUSELAGE TO BRAKE -----	1	D
	MS21919DG3	ATTACHING PARTS		
	NAS220-6	CLAMP CLAMP LINE AT STEP ON SPRING -----	1	C
	MS21044N08	SCREW -----	1	C
		NUT -----	1	C
		---*---		
-18	S1810-1075	HOSE ASSEMBLY LINE ASSEMBLY TO BRAKE -----	1	C
-19	S1239-49	CONTROL-PARKING BRAKE -----	1	
-20	0541174-1	PLATE-PARKING BRAKE -----	1	
		ATTACHING PARTS		
-21	S102128-14	SCREW -----	2	
	NAS446-4-3	NUT -----	2	
	NAS43DD3-23	SPACER -----	2	
	AN742D3	CLAMP -----	2	
-22	S102128-8	SCREW -----	2	
	NAS446-4-3	NUT -----	2	
		---*---		
-23	0541172-1	SPRING-RETURN -----	1	
		ATTACHING PARTS		
-24	0450258	CLAMP -----	1	
	AN500A8-5	SCREW -----	1	
		---*---		
-25	0541173-1	SPRING -----	2	
-26	S1099-1-4.50	CHAIN-PARKING BRAKE LH -----	1	C
	S1099-1-5.00	CHAIN-PARKING BRAKE LH -----	1	D
-27	0541178-1	LINK -----	2	C
-28	S1099-1-3.60	CHAIN-PARKING BRAKE RH -----	1	C
	S1099-1-4.10	CHAIN-PARKING BRAKE RH -----	1	D
	0541178-1	LINK ATTACH CHAIN TO BRAKE CYLINDER -----	2	
		A---150 SERIAL 15071129 THRU 15071813 A150 SERIAL A1500001 THRU A1500170		
		B---150 SERIAL 15071814 & ON F150 SERIAL F15000530 & ON A150 SERIAL A1500171 & ON FA150 SERIAL FA1500001 & ON		
		C---150 SERIAL 15071129 THRU 15072003 F150 SERIAL F15000530 THRU F15000658 A150 SERIAL A1500001 THRU A1500226 FA150 SERIAL FA1500001 THRU FA1500081		
		D---150 SERIAL 15072004 & ON F150 SERIAL F15000659 & ON A150 SERIAL A1500227 & ON FA150 SERIAL FA1500082 & ON		
		E---150 SERIAL 15071814 THRU 15073911 F150 SERIAL F15000530 THRU F15000839 A150 SERIAL A1500171 THRU A1500358 FA150 SERIAL FA150001 THRU FA1500166		
		F---150 SERIAL 15071129 THRU 15073911 F150 SERIAL F15000530 THRU F15000839 A150 SERIAL A1500001 THRU A1500358 FA150 SERIAL FA1500001 THRU FA1500166		
		G---150 SERIAL 15073912 & ON F150 SERIAL F15000840 & ON A150 SERIAL A1500359 & ON FA150 SERIAL FA1500167 & ON		

Fuel System (Cont)

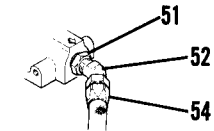


Detail A



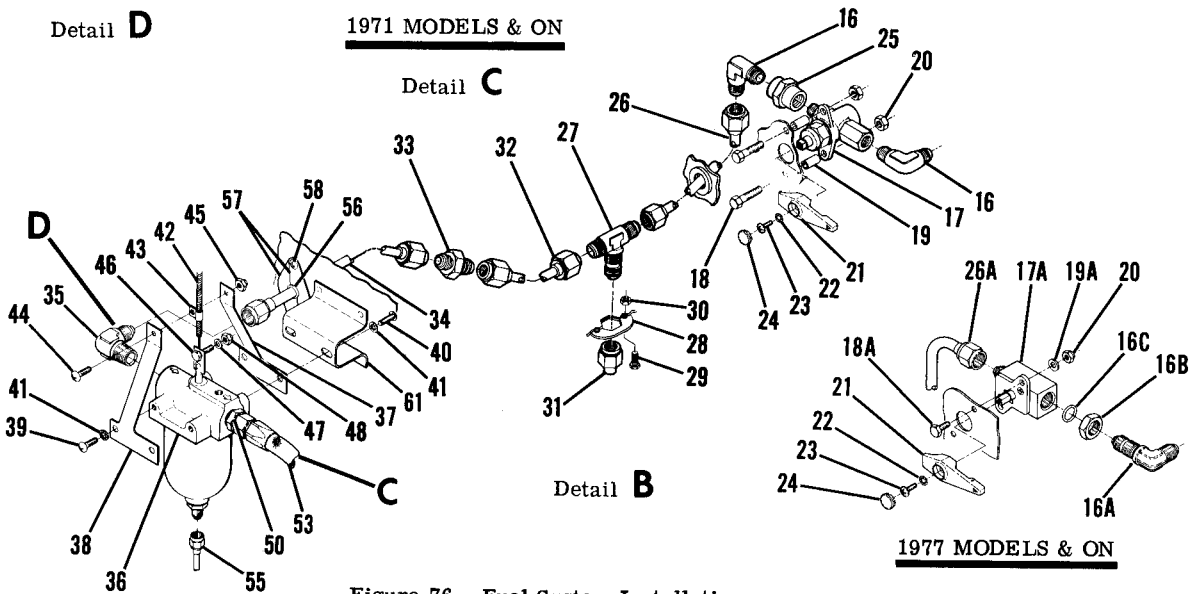
F15000530 THRU F15000619
EXCEPT FLOATPLANES

Detail D



1971 MODELS & ON

Detail C



Detail B

1977 MODELS & ON

Figure 76. Fuel System Installation



FIGURE AND INDEX NO.	PART NUMBER	DESCRIPTION							UNITS PER ASSY	USABLE ON CODE
		1	2	3	4	5	6	7		
76 -		FUEL SYSTEM INSTALLATION -----							NP	
- 1	0400311-86	LINE ASSEMBLY-VENT -----							1	A
	0400311-104	LINE ASSEMBLY-VENT AEROBAT -----							1	B
	0400311-87	LINE ASSEMBLY-VENT EXTENDED RANGE ONLY -----							1	A
	0400311-105	LINE ASSEMBLY-VENT EXTENDED RANGE ONLY AEROBAT -----							1	B
		ATTACHING PARTS -----								
- 2	0512006-1	ANGLE -----							1	
- 3	A3047A6-92	CLAMP TIN -----							1	
	S1021Z8-8	SCREW -----							1	
		-----*								
- 4	MS35489-11	GROMMET -----							1	
- 5	S1495-6	HOSE-3.0 IN LG BULK ITEM REF S1495-6-3.00 -----							2	
		ATTACHING PARTS -----								
	S1891-6	CLAMP -----							2	
	AN737TW24	CLAMP ALTERNATE -----							2	
		-----*								
- 6	0400311-100	LINE-VENT -----							1	
		ATTACHING PARTS -----								
- 7	MS21919DG6	CLAMP -----							2	
	S1021Z8-8	SCREW -----							2	
		-----*								
- 8	0422130	STRAINER ASSEMBLY -----							2	
- 9	0400311-64	LINE ASSEMBLY-FUEL LH -----							1	
-10	0400311-65	LINE ASSEMBLY-FUEL RH -----							1	
-11	AN815-6D	UNION -----							2	
-12	0400311-61	LINE ASSEMBLY-FUEL LH -----							1	H
	0400311-113	LINE ASSEMBLY-FUEL LH -----							1	J
-13	0400311-62	LINE ASSEMBLY-FUEL RH -----							1	H
	0400311-112	LINE ASSEMBLY-FUEL RH -----							1	J
-14	AN824-6D	TEE -----							1	
-15	0400311-59	LINE ASSEMBLY-FUEL -----							1	H
	0400311-110	LINE ASSEMBLY-FUEL -----							1	J
-16	MS20822-6D	ELBOW -----							2	N
-16A	AN833-6D	ELBOW -----							1	P
-16B	AN924-6D	NUT -----							1	P
-16C	MS29512-06	O RING -----							1	P
-17	0411803-6	VALVE ASSEMBLY-FUEL SHUT OFF -----							1	H
	0411803-8	VALVE ASSEMBLY-FUEL SHUT OFF -----							1	M
	SEE FIG 76A	VALVE ASSEMBLY-FUEL SHUT OFF -----							1	P
		ATTACHING PARTS -----								
-18	AN3H10A	BOLT -----							2	N
-18A	AN3-4A	BOLT -----							2	P
-19	NAS43HT3-34	SPACER -----							2	N
-19A	AN960-10L	WASHER -----							2	P
-20	MS20364-1032C	NUT -----							2	
		-----*								
-21	0716623-3	HANDLE -----							1	H
	0716623-5	HANDLE -----							1	J
-22	AN936A8	WASHER -----							1	
-23	AN525-8R6	SCREW -----							1	
-24	0716624-1	COVER -----							1	
-25	AN910-2D	COUPLING -----							1	N
-26	0400311-63	LINE ASSEMBLY-FUEL -----							1	H
	0400311-111	LINE ASSEMBLY-FUEL -----							1	M
-26A	0400311-118	LINE ASSEMBLY-FUEL -----							1	P
-27	AN834-6D	TEE -----							1	
-28	0413338	LOCK PLATE -----							1	
		ATTACHING PARTS -----								
-29	AN520-10R8	SCREW -----							2	
-30	NAS696A3K	NUTPLATE -----							2	
		-----*								
-31	AN929-6	CAP ASSEMBLY -----							1	
-32	0400311-58	LINE ASSEMBLY-FUEL -----							1	
-33	AN815-6D	UNION -----							1	
-34	0400311-79	LINE ASSEMBLY-FUEL -----							1	
-34A	0400311-57	LINE ASSEMBLY-FUEL -----							1	C
-35	MS20822-6-6D	ELBOW -----							1	Q
	MS20822-6-8D	ELBOW -----							1	S
-35A	AN816-6-6D	NIPPLE -----							1	D
-36	SEE FIG 77	STRAINER ASSEMBLY-FUEL -----							1	

CONTINUED ON NEXT PAGE

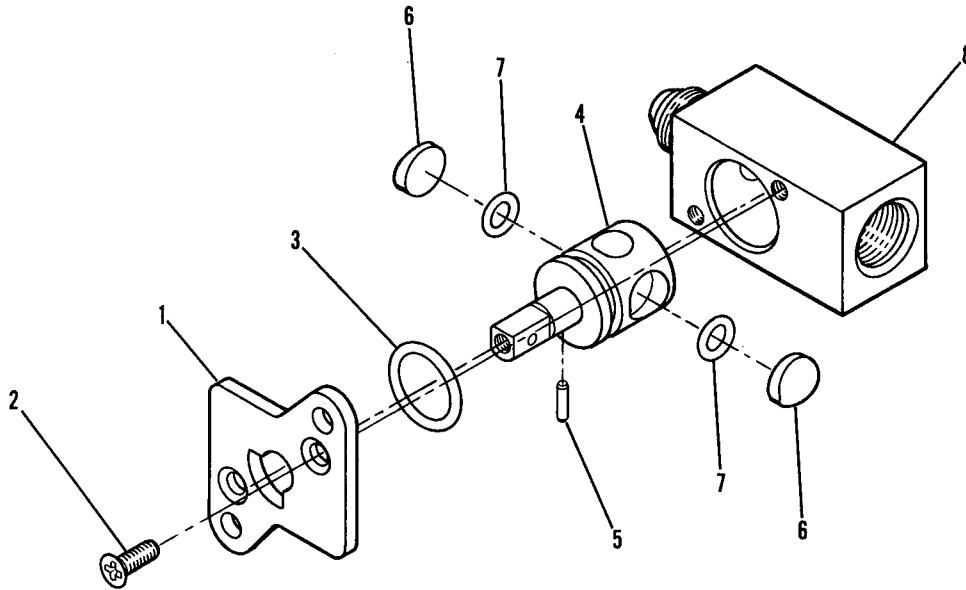


FIGURE AND INDEX NO.	PART NUMBER	DESCRIPTION	UNITS PER ASSY	USABLE ON CODE
76 -37	0500315-1	BRACKET -----	1	
-38	0500315-2	BRACKET -----	1	
		ATTACHING PARTS		
-39	AN515-10R10	SCREW -----	2	
-40	MS20074-03-04	BOLT -----	2	C
-40A	AN515-10R10	SCREW -----	2	D
-41	AN936A10	WASHER -----	2	
		---*---		
-42	SEE FIG 56	CONTROL ASSEMBLY -----	1	
		ATTACHING PARTS		
-43	AN742D3	CLAMP -----	1	
-44	AN515-10R8	SCREW -----	1	
-45	MS21044N3	NUT -----	1	
-46	0450311-3	CLAMP -----	1	
-47	AN960-416	WASHER -----	AR	
-48	MS21042L4	NUT -----	1	
		---*---		
-49	MS20822-6-6D	ELBOW -----	1	D
-50	AN816-6-6D	NIPPLE -----	1	E
-51	AN912-2D	BUSHING -----	1	R
	AN912-5D	BUSHING -----	1	S
-52	MS20823-6D	ELBOW -----	1	G
-53	S1167-6-0230	HOSE ASSEMBLY -----	1	F
-54	S1167-6-0194	HOSE ASSEMBLY -----	1	G
-55	0400311-95	LINE ASSEMBLY-STRAINER DRAIN -----	1	
-56	NAS557-6	GROMMET -----	1	C
-57	S1095-3	SHIELD HALF -----	2	C
		ATTACHING PARTS		
-58	S1021Z8-6	SCREW -----	2	C
		---*---		
-59	0750032-1	SHIELD -----	1	D
-60	S354-3	GROMMET -----	1	D
-61	SEE FIG 26	BRACKET-FUEL STRAINER -----	1	
-62	0400311-102	LINE ASSEMBLY-PRIMER LH WEU 0400311-117 -----	1	K
	0400311-117	LINE ASSEMBLY-PRIMER LH -----	1	L
-63	0400311-101	LINE ASSEMBLY-PRIMER RH WEU 0400311-116 -----	1	K
	0400311-116	LINE ASSEMBLY-PRIMER RH -----	1	L
-64	0400311-103	LINE ASSEMBLY-PRIMER FIREWALL TO ENGINE -----	1	
-65	0400106-83	LINE ASSEMBLY-PRIMER FIREWALL TO STRAINER -----	1	
		ATTACHING PARTS		
	AN816-2D	NIPPLE-LINE ASSEMBLY TO FUEL STRAINER -----	1	
		---*---		
<p>NOTE. *THESE PARTS ARE NOT INCLUDED WITH FUEL VALVE ON 1977 MODELS & ON & MUST BE ORDERED SEPARATELY.</p> <p>A---150 SERIAL 15071129 & ON F150 SERIAL F15000530 & ON</p> <p>B---A150 SERIAL A1500001 & ON FA150 SERIAL FA1500001 & ON</p> <p>C---150 SERIAL 15071129 & ON F150 SERIAL F15000620 & ON F150 SERIAL F15000530 & ON FLOATPLANE A150 SERIAL A1500001 & ON FA150 SERIAL FA1500001 & ON</p> <p>D---F150 SERIAL F15000530 THRU F15000619 EXCEPT FLOATPLANE</p> <p>E---150 SERIAL 15071129 THRU 15072003 F150 SERIAL F15000620 THRU F15000658 A150 SERIAL A1500001 THRU A1500226 FA150 SERIAL FA1500001 THRU FA1500081</p> <p>F---150 SERIAL 15071129 THRU 15072003 F150 SERIAL F15000530 THRU F15000658 A150 SERIAL A1500001 THRU A1500226 FA150 SERIAL FA1500001 THRU FA1500081</p> <p>G---150 SERIAL 15072004 & ON F150 SERIAL F15000659 & ON A150 SERIAL A1500227 & ON FA150 SERIAL FA1500082 & ON</p>				
<p>CONTINUED ON NEXT PAGE</p>				



FIGURE AND INDEX NO.	PART NUMBER	DESCRIPTION	UNITS PER ASSY	USABLE ON CODE
76 -		<p style="text-align: center;">1 2 3 4 5 6 7</p> <p>H---150 SERIAL 15071129 THRU 15073658 F150 SERIAL F15000530 THRU F15000863 A150 SERIAL A1500001 THRU A1500342 FA150 SERIAL FA1500001 THRU FA1500166</p> <p>J---150 SERIAL 15073659 & ON F150 SERIAL F15000864 & ON A150 SERIAL A1500343 & ON FA150 SERIAL FA1500167 & ON</p> <p>K---150 SERIAL 15071129 THRU 15077005 F150 SERIAL F15000530 THRU F15001248 A150 SERIAL A1500001 THRU A1500609 FA150 SERIAL FA1500001 THRU FA1500281</p> <p>L---150 SERIAL 15077006 & ON F150 SERIAL F15001249 & ON A150 SERIAL A1500610 & ON FA150 SERIAL FA1500282 & ON</p> <p>M---150 SERIAL 15073659 THRU 15078505 F150 SERIAL F15000864 THRU F15001338 A150 SERIAL A1500343 THRU A1500684 FA150 SERIAL FA1500167 THRU FA1500311</p> <p>N---150 SERIAL 15071129 THRU 15078505 F150 SERIAL F15000530 THRU F15001338 A150 SERIAL A1500001 THRU A1500684 FA150 SERIAL FA1500001 THRU FA1500311</p> <p>P---150 SERIAL 15078506 & ON F150 SERIAL F15001339 & ON A150 SERIAL A1500685 & ON FA150 SERIAL FA1500312 & ON</p> <p>Q---150 SERIAL 15071129 THRU 15077758 F150 SERIAL F15000620 & ON F150 SERIAL F15000530 & ON FLOATPLANE A150 SERIAL A1500001 THRU A1500653 FA150 SERIAL FA1500001 & ON</p> <p>R---150 SERIAL 15072004 THRU 15077758 F150 SERIAL F15000659 & ON A150 SERIAL A1500227 THRU A1500653 FA150 SERIAL FA1500082 & ON</p> <p>S---150 SERIAL 15077759 & ON A150 SERIAL A1500654 & ON</p>		

Fuel System (Cont)



150 SERIAL 15078506 & ON
 F150 SERIAL F15001339 & ON
 A150 SERIAL A1500685 & ON
 FA150 SERIAL FA1500312 & ON

Figure 76A. Fuel Shut Off Valve Assembly

FIGURE AND INDEX NO.	PART NUMBER	DESCRIPTION	UNITS PER ASSY	USABLE ON CODE
76A-		1 2 3 4 5 6 7		
- 1	9851070-1 9851074-1	FUEL SHUT OFF VALVE ASSEMBLY ----- COVER-FUEL SHUT OFF VALVE ----- ATTACHING PARTS -----	1 1	A
- 2	AN507-832R7	SCREW ----- -----*	2	
- 3	MS29513-016	O RING -----	1	
- 4	9851072-2	ROTOR-FUEL SHUT OFF VALVE -----	1	
- 5	NAS561P3-5	ROLL PIN -----	1	
- 6	9851073-1	SEAL-FUEL SHUT OFF VALVE -----	2	
- 7	MS29513-010	O RING -----	2	
- 8	9851071-2	BODY-FUEL SHUT OFF VALVE -----	1	
		A---150 SERIAL 15078506 & ON F150 SERIAL F15001339 & ON A150 SERIAL A1500685 & ON FA150 SERIAL FA1500312 & ON		

Fuel System (Cont)

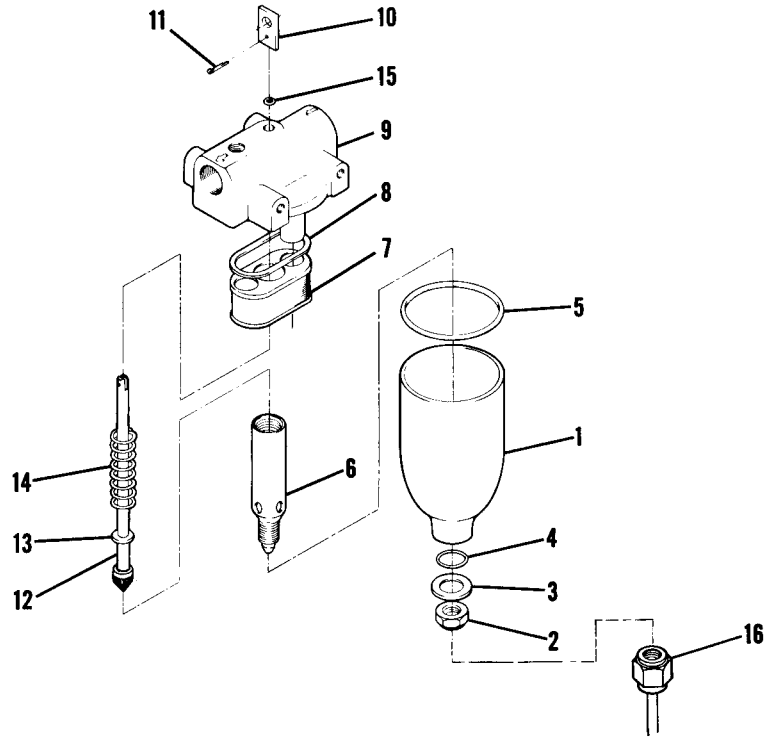
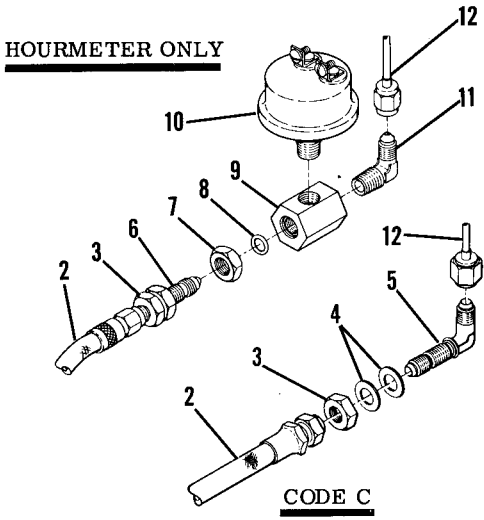


Figure 77. Fuel Strainer Assembly

FIGURE AND INDEX NO.	PART NUMBER	DESCRIPTION	UNITS PER ASSY	USABLE ON CODE
		1 2 3 4 5 6 7		
77 -	0756005-8	* STRAINER ASSEMBLY-FUEL	1	
- 1	0756008-1	BOWL-FUEL STRAINER	1	
		ATTACHING PARTS		
- 2	S1573-3	NUT	1	
- 3	0756015-1	WASHER	1	
- 4	MS29513-111	O RING	1	
- 5	MS29513-138	O RING	1	
		-----*		
- 6	0756011-1	STANDPIPE	1	
- 7	0756009-1	FILTER-FUEL STRAINER	1	
- 8	0756009-8	GASKET	1	
- 9	0756005-2	* TOP ASSEMBLY-FUEL STRAINER	1	
-10	0756014-1	PLATE	1	
		ATTACHING PARTS		
-11	MS24665-132	COTTER PIN	1	
		-----*		
-12	0756010-6	PLUNGER ASSEMBLY-DRAIN	1	
-13	0756014-2	WASHER	2	
-14	0756012-1	SPRING	1	
-15	MS29513-10	O RING	1	
-16	0400311-95	LINE ASSEMBLY-STRAINER DRAIN	1	
<p>NOTE. *WHEN INITIALLY ORDERING THIS PART FOR AIRCRAFT SERIALS 1507759 & ON, & A1500654 & ON ALSO ORDER ONE AN912-2D BUSHING & ONE MS20822-6-6D ELBOW.</p>				

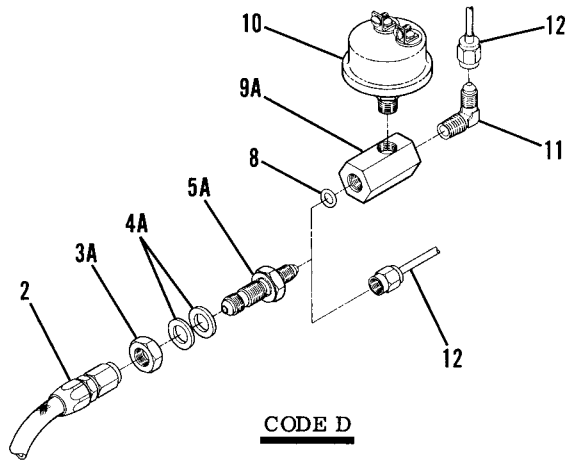
Oil System

HOURLMETER ONLY

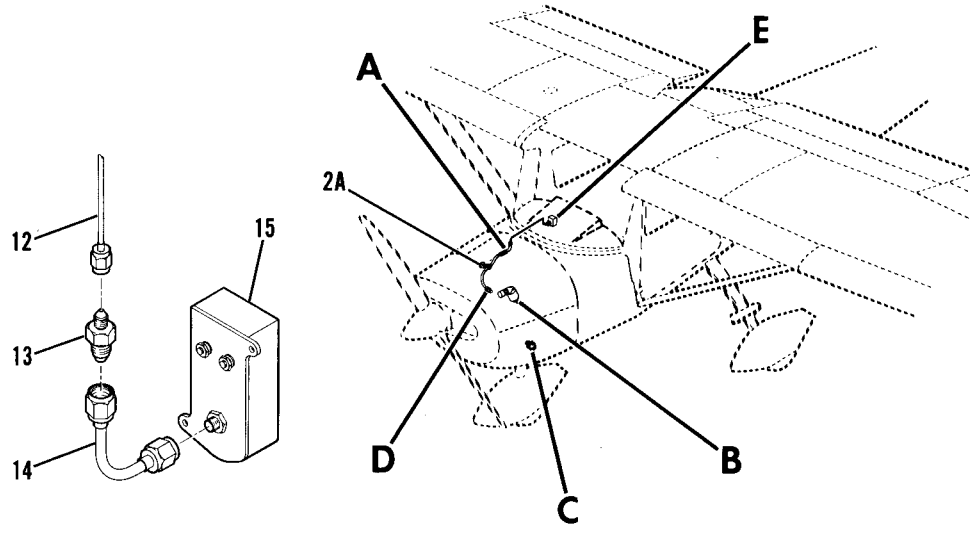


CODE C

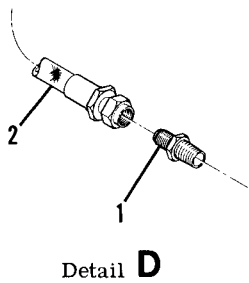
Detail **A**



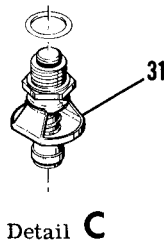
CODE D



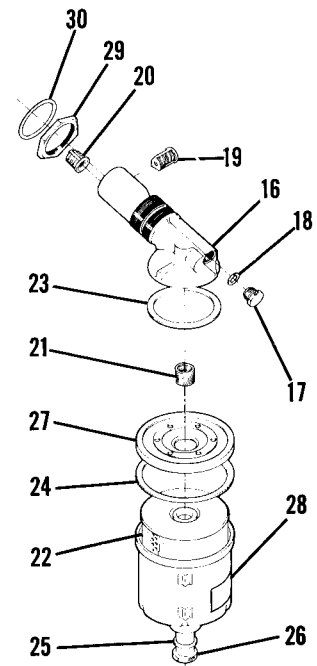
Detail **E**



Detail **D**



Detail **C**



Detail **B**

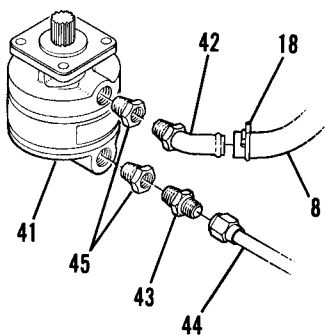
Figure 78. Oil System Installation

FIGURE AND INDEX NO.	PART NUMBER	DESCRIPTION	UNITS PER ASSY	USABLE ON CODE
		1 2 3 4 5 6 7		
78 -		OIL SYSTEM INSTALLATION -----	NP	
- 1	AN816-2B	NIPPLE -----	1	C
	0752037-3	ELBOW -----	1	D
- 2	S1168-2-15	HOSE ASSEMBLY-OIL PRESSURE -----	1	C
	S1236-3-0150	HOSE ASSEMBLY-OIL PRESSURE -----	1	D
		ATTACHING PARTS		
- 2A	S1486DG8L	CLAMP -----	1	
	MS21919DG6	CLAMP -----	1	
	S1021Z8-8	SCREW -----	1	
		---*---		
- 3	AN924-2D	NUT -----	1	C
- 3A	AN924-3D	NUT -----	1	D
- 4	AN960-516	WASHER -----	2	C
- 4A	AN960-616	WASHER -----	2	D
- 5	AN833-2D	ELBOW -----	1	C
- 5A	1450024-3	UNION WEU S2289-2 -----	1	H
	S2289-2	UNION -----	1	J
- 6	AN832-2D	UNION USED WITH HOURMETER -----	1	C
- 7	AN924-2D	NUT USED WITH HOURMETER -----	1	C
- 8	MS28778-2	O RING USED WITH HOURMETER -----	1	
- 9	1213158-2	ADAPTER USED WITH HOURMETER -----	1	C
- 9A	1213158-3	ADAPTER USED WITH HOURMETER -----	1	D
-10	S1711-1	SWITCH USED WITH HOURMETER -----	1	
-11	MS20822-2	ELBOW USED WITH HOURMETER -----	1	E
	MS20822-2D	ELBOW USED WITH HOURMETER -----	1	F
-12	0400311-78	LINE ASSEMBLY-OIL PRESSURE -----	1	F
	0400311-114	LINE ASSY-OIL PRESSURE -----	1	F
-13	AN919-1D	REDUCER -----	1	B
-14	1700121-66	LINE ASSEMBLY-OIL PRESSURE -----	1	B
-15		GAGE-OIL PRESSURE SEE INSTRUMENT PANEL FIG -----	1	
		INSTALLATION-FULL FLOW OIL FILTER -----	NP	
	0450404-200	ADAPTER ASSEMBLY-OIL FILTER WEU 0450404-201 -----	1	A
	0450404-201	ADAPTER ASSEMBLY-OIL FILTER -----	1	A
-16	0450403-2	ADAPTER WEU 0450403-3 -----	1	A
	0450403-3	ADAPTER -----	1	A
-17	0495601-1	PLUG -----	1	
-18	AN622789	O RING -----	1	
-19	0756022-1	VALVE ASSEMBLY-BY PASS -----	1	
-20	0756022-2	VALVE ASSEMBLY-OUTLET USED WITH 0450403-2 ONLY -----	1	A
-21	MS124663	INSERT -----	1	
	C294505-0101	FILTER ASSEMBLY-FULL FLOW OIL -----	1	
-22	C294505-0102	FILTER ELEMENT KIT-OIL -----	1	
-23	6436635	GASKET AC -----	1	
-24	6436637	GASKET AC -----	1	
-25	5579654	WASHER AC -----	1	
-26	6436916	STUD AC -----	1	
-27	6436989	LID-OIL FILTER AC -----	1	
-28	1250410-3	PLACARD-OIL FILTER -----	1	
-29	1250405-1	NUT -----	1	
-30	AN123883	PACKING -----	1	
	SE709	WRENCH-FILTER ADAPTER -----	1	
-31	S1964-3	VALVE ASSEMBLY-QUICK DRAIN OIL -----	1	
<p>A---150 SERIAL 15071129 THRU 15078440 F150 SERIAL F15000530 THRU F15001338 A150 SERIAL A1500001 THRU A1500679 FA150 SERIAL FA1500001 THRU FA1500311</p> <p>B---150 SERIAL 15071129 THRU 15072182 F150 SERIAL F15000530 THRU F15000658 A150 SERIAL A1500001 THRU A1500246 FA150 SERIAL FA1500001 THRU FA1500081</p> <p>C---150 SERIAL 15071129 THRU 15072003 F150 SERIAL F15000530 THRU F15000658 A150 SERIAL A1500001 THRU A1500226 FA150 SERIAL FA1500001 THRU FA1500081</p> <p>D---150 SERIAL 15072004 & ON F150 SERIAL F15000659 & ON A150 SERIAL A1500227 & ON FA150 SERIAL FA1500082 & ON</p>				
CONTINUED ON NEXT PAGE				

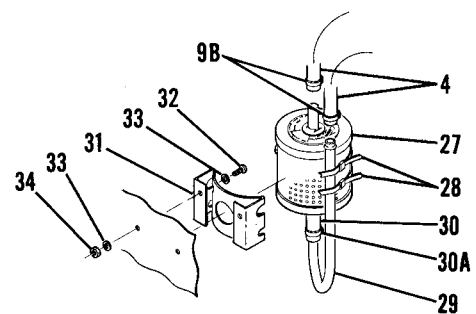
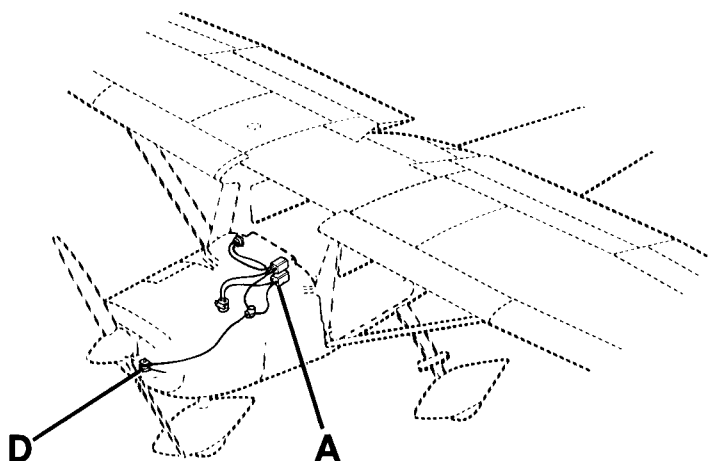
FIGURE AND INDEX NO.	PART NUMBER	DESCRIPTION	UNITS PER ASSY	USABLE ON CODE
78 -		<p style="text-align: center;">1 2 3 4 5 6 7</p> <p>E---150 SERIAL 15071129 THRU 15077005 F150 SERIAL F15000530 THRU F15001248 A150 SERIAL A1500001 THRU A1500609 FA150 SERIAL FA1500001 THRU FA1500281</p> <p>F---150 SERIAL 15077006 & ON F150 SERIAL F15001249 & ON A150 SERIAL A1500610 & ON FA150 SERIAL FA1500282 & ON</p> <p>G---150 SERIAL 15078441 & ON F150 SERIAL F15001339 & ON A150 SERIAL A1500680 & ON FA150 SERIAL FA1500312 & ON</p> <p>H---150 SERIAL 15072004 THRU 15078040 F150 SERIAL F15000659 THRU F15001338 A150 SERIAL A1500227 THRU A1500658 FA150 SERIAL FA1500082 THRU FA1500311</p> <p>J---150 SERIAL 15078041 & ON F150 SERIAL F15001339 & ON A150 SERIAL A1500659 & ON FA150 SERIAL FA1500312 & ON</p>		

This page intentionally left blank.

Vacuum System

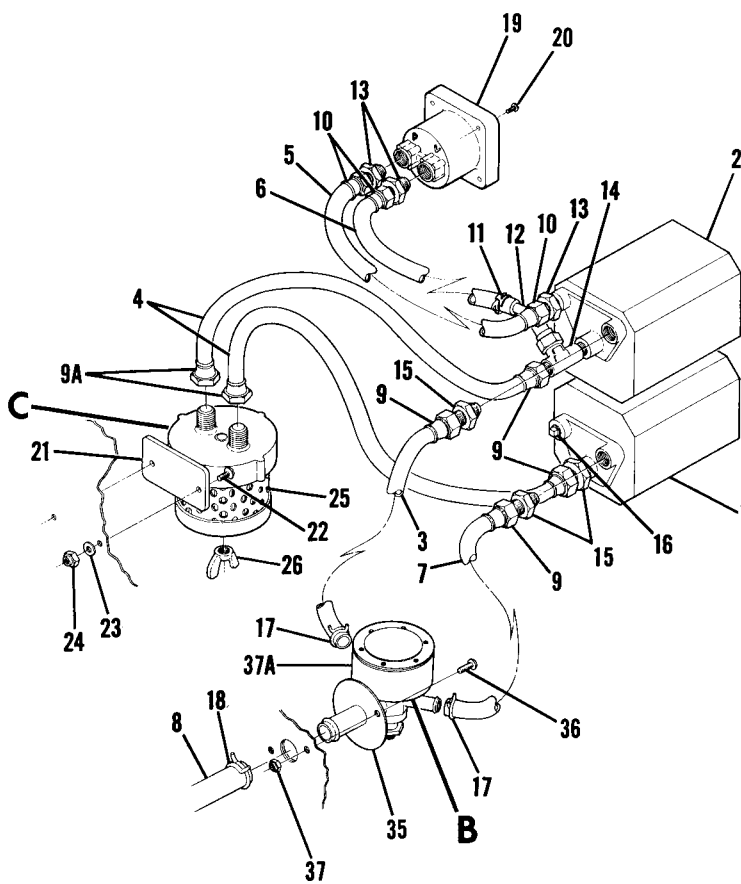


Detail D

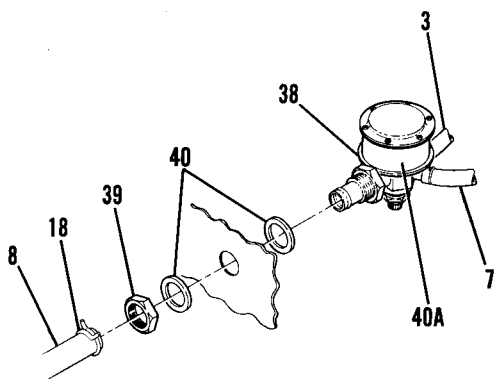


CODE L

Detail C



Detail A



CODE F

Detail B

150 SERIAL 15071129 THRU 15077005
 F150 SERIAL F15000530 THRU F15001248
 A150 SERIAL A1500001 THRU A1500609
 FA150 SERIAL FA1500001 THRU FA1500281

Figure 79. Vacuum System Installation



FIGURE AND INDEX NO.	PART NUMBER		DESCRIPTION							UNITS PER ASSY	USABLE ON CODE
			1	2	3	4	5	6	7		
79 -			VACUUM SYSTEM INSTALLATION -----							NP	M
- 1	C661002-0501	*	INDICATOR-DIRECTIONAL GYRO		WEU	C661002-0505	-----		1	A	
	C661002-0505	*	INDICATOR-DIRECTIONAL GYRO		WEU	C661075-0104	-----		1	B	
	C661002-0503	*	INDICATOR-DIRECTIONAL GYRO		WEU	C661002-0506	-----		1	A	
	C661002-0506	*	INDICATOR-DIRECTIONAL GYRO		WEU	C661075-0103	-----		1	B	
	C661075-0103	*	INDICATOR-DIRECTIONAL GYRO		-----			1	H		
	C661002-0301	*	INDICATOR-DIRECTIONAL GYRO		WEU	C661075-0104	-----		1	G	
	C661075-0104	*	INDICATOR-DIRECTIONAL GYRO		-----			1	H		
	C661002-0504	*	INDICATOR-DIRECTIONAL GYRO		WEU	C661075-0101	-----		1	G	
	C661075-0101	*	INDICATOR-DIRECTIONAL GYRO		-----			1	H		
	C661075-0106	*	INDICATOR-DIRECTIONAL GYRO		-----			1	J		
	C661075-0105	*	INDICATOR-DIRECTIONAL GYRO		WITH HEADING REFERENCE BUG		----		1	C	
	AN515B6R8		ATTACHING PARTS								
			SCREW -----							4	
			-----*								
- 2	C661001-0501	%	INDICATOR-GYRO HORIZON		WEU	C661001-0505	-----		1	A	
	C661001-0505	%	INDICATOR-GYRO HORIZON		WEU	C661076-0101,-0102 OR -0103	----		1	B	
	C661001-0503	%	INDICATOR-GYRO HORIZON		WEU	C661076-0102	-----		1	G	
	C661076-0102	%	INDICATOR-GYRO HORIZON		-----			1	H		
	C661001-0502	%	INDICATOR-GYRO HORIZON		WEU	C661076-0101	-----		1	G	
	C661076-0101	%	INDICATOR-GYRO HORIZON		-----			1	H		
	C661001-0504	%	INDICATOR-GYRO HORIZON		WEU	C661076-0103	-----		1	G	
	C661076-0103	%	INDICATOR-GYRO HORIZON		-----			1	H		
	C661076-0105	%	INDICATOR-GYRO HORIZON		-----			1	J		
	AN515B6R6		ATTACHING PARTS								
			SCREW -----							4	
			-----*								
- 3	S1495-6		HOSE-11.50 IN LG		BULK ITEM	REF	S1499-6L-11.50	-----		1	
			HORIZON GYRO TO RELIEF VALVE		-----						
- 4	S1495-6	#	HOSE-21.00 IN LG		BULK ITEM	REF	S1499-6LL-21.00	-----		2	K
			GYROS TO AIR FILTER		-----						
	S1495-6		HOSE-19.25 IN LG		BKI	REF	S1499-6L-19.25	-----		1	L
			GYROS TO AIR FILTER		-----						
- 5	S1495-4		HOSE-36.00 IN LG		BULK ITEM	REF	S1499-4JJ-36.00	-----		1	
			HORIZON GYRO TO P SIDE OF SUCTION GAGE		-----						
- 6	S1495-4		HOSE-32.00 IN LG		BULK ITEM	REF	S1691-1-32.00	-----		1	
			HORIZON GYRO TO V SIDE OF SUCTION GAGE		-----						
- 7	S1495-6	#	HOSE-11.50 IN LG		BULK ITEM	REF	S1499-6L-11.50	-----		1	
			DIRECTIONAL GYRO TO RELIEF VALVE		-----						
- 8	S1495-10		HOSE-33.75 IN LG		BULK ITEM	REF	S1495-10-33.75	-----		1	
			RELIEF VALVE TO VACUUM PUMP		-----						
- 9	S1497-6		FITTING-SOCKETLESS -----							4	
- 9A	S1497-6		FITTING-SOCKETLESS -----							2	K
- 9B	S1693-1		STA STRAP -----							2	L
- 10	S1497-4		FITTING-SOCKETLESS -----							3	
- 11	NAS397-8		CLAMP -----							1	
- 12	1713039-1		ELBOW ASSEMBLY -----							1	
- 13	AN816-4D		NIPPLE -----							3	
- 14	MS20826-6D		TEE -----							1	
- 15	AN816-6D		NIPPLE -----							3	
- 16	MS20913-1D		PLUG-PIPE -----							1	
	MS20913-2D		PLUG-PIPE		USED WITH C661001-0502		-----		1		
- 17	S1494-10		CLAMP -----							2	
- 18	S1494-14		CLAMP -----							2	
- 19	S1414N1		GAGE-SUCTION		WEU	C668540-0101	-----		1	G	
	S1414-1		GAGE-SUCTION		ALTERNATE	WEU	C668540-0101	----		1	H
	C668540-0101		GAGE-SUCTION		-----			1	H		
			ATTACHING PARTS								
- 20	AN515B6R12		SCREW -----							4	
	AN936A6		WASHER		USED WITH S1414-1		-----		4	G	
	AN340B6		NUT		USED WITH S1414-1		-----		4	G	
			-----*								
- 21	C294501-0101		AIR FILTER ASSEMBLY-VACUUM -----							1	K
			ATTACHING PARTS								
- 22	AN520-10R10		SCREW -----							2	K
- 23	AN960PD10		WASHER -----							2	K
- 24	MS21045L3		NUT -----							2	K
			-----*								
- 25	C294501-0103		FILTER ELEMENT-VACUUM AIR -----							1	K
- 26	P2274		NUT-WING		DCI	-----		1	K		

CONTINUED ON NEXT PAGE

FIGURE AND INDEX NO.	PART NUMBER	DESCRIPTION	UNITS PER ASSY	USABLE ON CODE
79 -27	C294502-0101	AIR FILTER ASSY ----- ATTACHING PARTS -----	1	L
-28	S1693-3	STA STRAP ----- -----*	2	L
-29	0713533-1	U TUBE-VACUUM FILTER -----	1	L
-30	S1495-6	HOSE-2.0 IN LG BKT ----- ATTACHING PARTS -----	1	L
-30A	S1693-1	STA STRAP ----- -----*	2	L
-31	0513448-1	BRACKET-AIR FILTER ----- ATTACHING PARTS -----	1	L
-32	AN520-10R10	SCREW -----	2	L
-33	AN960PD10L	WASHER -----	4	L
-34	MS21045L3	NUT ----- -----*	2	L
-35	C482001-0301	VALVE-VACUUM RELIEF WEU C482001-0401 ----- ATTACHING PARTS -----	1	E
-36	AN515-8R8	SCREW -----	2	E
-37	MS21045L08	NUT ----- -----*	2	E
-37A	C482001-0202	FILTER ELEMENT -----	1	E
-38	C482001-0401 **	VALVE-VACUUM RELIEF ----- ATTACHING PARTS -----	1	F
-39	AN924-10D	NUT -----	1	F
-40	S1450-14A20-016	WASHER ----- -----*	2	F
-40A	C482001-0202	FILTER ELEMENT -----	1	F
-41	C431003-0103	PUMP-VACUUM -----	1	
	C431002-0102	PUMP-VACUUM ALTERNATE -----	1	
	C431003-0301 **	PUMP-VACUUM ALTERNATE -----	1	D
-42	S1861-6	ELBOW -----	1	
-43	AN816-6-6D	NIPPLE -----	1	
-44	0400311-88	TUBE -----	1	
-45	AN912-4D	BUSHING USED WITH C431003-0301 PUMP ONLY -----	2	D
<p>NOTE. *THESE GYROS ARE PHYSICALLY & FUNCTIONALLY INTERCHANGEABLE.</p> <p>NOTE. †THESE GYROS ARE PHYSICALLY & FUNCTIONALLY INTERCHANGEABLE.</p> <p>NOTE. #WHEN ORDERING THIS PART FOR AIRCRAFT EQUIPPED WITH BRITTIAN WING LEVELER SEE FIG 68.</p> <p>NOTE. **WHEN ORDERING THIS PART FOR AIRCRAFT ORIGINALLY EQUIPPED WITH C482001-0301 VALVE ALSO ORDER ONE AN924-10D NUT & TWO S1450-14A20-016 WASHERS.</p> <p>NOTE. ‡WHEN C431003-0301 PUMP IS SUPPLIED AS A SPARE FOR C431002-0102 OR C431003-0103 PUMP, TWO AN912-4D BUSHINGS & ONE 0452019-1 SNUBBER BKT MUST ALSO BE ORDERED. THIS PUMP IS NOT USED ON 1970 MODELS.</p> <p>A---150 SERIAL 15071129 THRU 15071784 F150 SERIAL F15000530 THRU F15000658 A150 SERIAL A1500001 THRU A1500164 FA150 SERIAL FA1500001 THRU FA1500081</p> <p>B---150 SERIAL 15071785 THRU 15072628 F150 SERIAL F15000659 THRU F15001013 A150 SERIAL A1500165 THRU A1500276 FA150 SERIAL FA1500082 THRU FA1500211</p> <p>C---150 SERIAL 15073450 THRU 15077005 F150 SERIAL F15000819 THRU F15001248 A150 SERIAL A1500334 THRU A1500609 FA150 SERIAL FA1500162 THRU FA1500281</p> <p>D---150 SERIAL 15072004 THRU 15077005 F150 SERIAL F15000659 THRU F15001248 A150 SERIAL A1500277 THRU A1500609 FA150 SERIAL FA1500082 THRU FA1500281</p>				
CONTINUED ON NEXT PAGE				

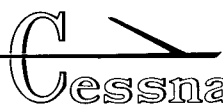
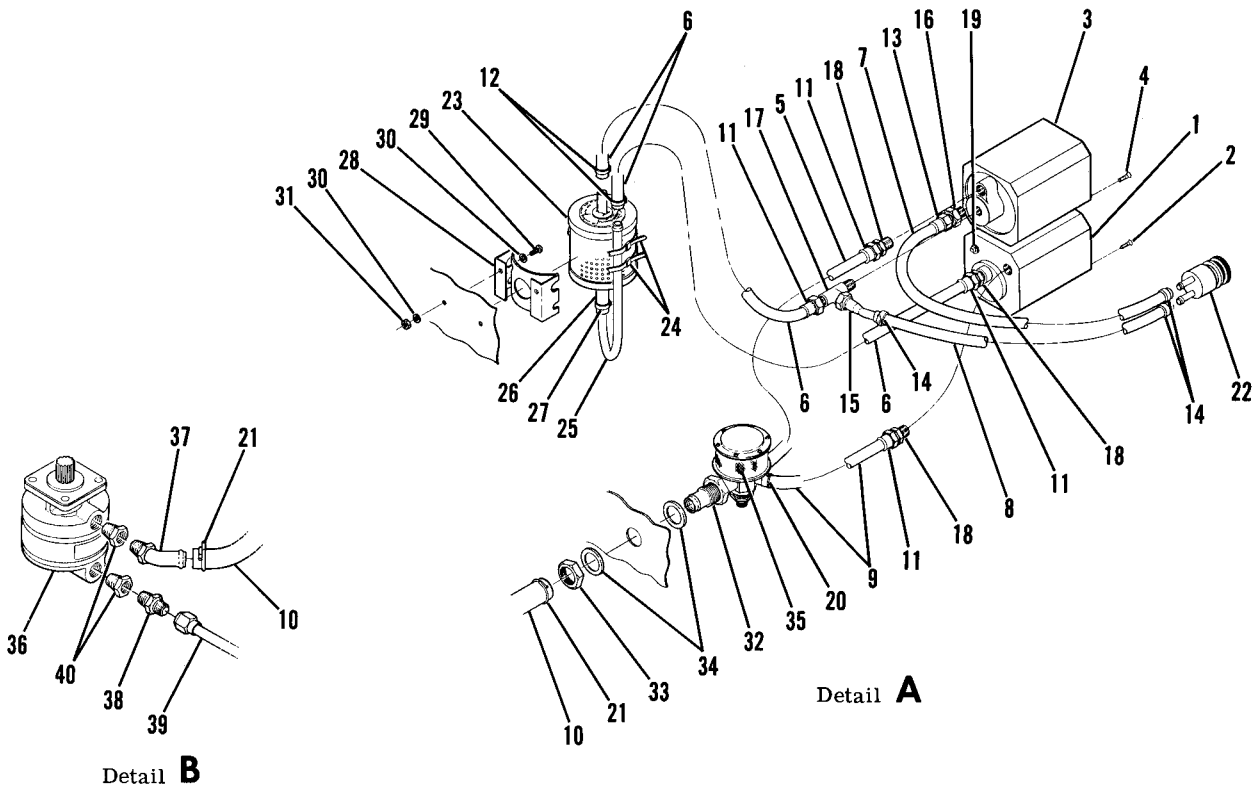
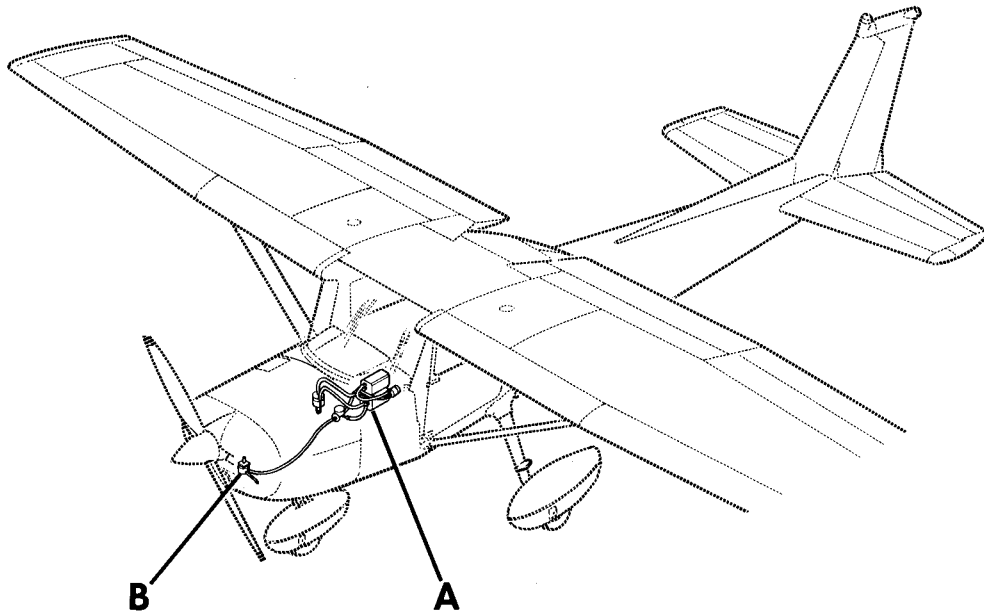


FIGURE AND INDEX NO.	PART NUMBER	DESCRIPTION	UNITS PER ASSY	USABLE ON CODE
79 -		<p style="text-align: center;">1 2 3 4 5 6 7</p> E---150 SERIAL 15071129 THRU 15072489 F150 SERIAL F15000530 THRU F15000756 A150 SERIAL A1500001 THRU A1500260 FA150 SERIAL FA1500001 THRU FA1500121 F---150 SERIAL 15072490 THRU 15077005 F150 SERIAL F15000757 THRU F15001248 A150 SERIAL A1500261 THRU A1500609 FA150 SERIAL FA1500122 THRU FA1500281 G---150 SERIAL 15071129 THRU 15072628 F150 SERIAL F15000530 THRU F15001013 A150 SERIAL A1500001 THRU A1500276 FA150 SERIAL FA1500001 THRU FA1500211 H---150 SERIAL 15072629 THRU 15077005 F150 SERIAL F15001014 THRU F15001248 A150 SERIAL A1500277 THRU A1500609 FA150 SERIAL FA1500212 THRU FA1500281 J---150 SERIAL 15071129 THRU 15077005 A150 SERIAL A1500001 THRU A1500609 K---150 SERIAL 15071129 THRU 15075523 A150 SERIAL A1500001 THRU A1500478 F150 SERIAL F15000530 THRU F15001189 FA150 SERIAL FA1500001 THRU FA1500271 L---150 SERIAL 15075524 THRU 15077005 F150 SERIAL F15001190 THRU F15001248 A150 SERIAL A1500479 THRU A1500609 FA150 SERIAL FA1500272 THRU FA1500281 M---150 SERIAL 15071129 THRU 15077005 F150 SERIAL F15000530 THRU F15001248 A150 SERIAL A1500001 THRU A1500609 FA150 SERIAL FA1500001 THRU FA1500281		

Vacuum System (Cont)



150 SERIAL 15077006 & ON
F150 SERIAL F15001249 & ON
A150 SERIAL A1500610 & ON
FA150 SERIAL FA1500282 & ON

Figure 79A. Vacuum System Installation



FIGURE AND INDEX NO.	PART NUMBER		DESCRIPTION							UNITS PER ASSY	USABLE ON CODE
			1	2	3	4	5	6	7		
79A-			VACUUM SYSTEM INSTALLATION -----							NP	A
- 1	C661075-0103	*	GYRO-DIRECTIONAL -----							1	
	C661075-0104	*	GYRO-DIRECTIONAL -----							1	
	C661075-0101	*	GYRO-DIRECTIONAL -----							1	
	C661075-0106	*	GYRO-DIRECTIONAL -----							1	B
	C661075-0105	*	GYRO-DIRECTIONAL WITH HEADING REFERENCE BUG -----							1	
			ATTACHING PARTS -----								
- 2	AN515B6R8		SCREW -----							4	
			-----*-----								
- 3	C661076-0102	%	GYRO-HORIZON -----							1	
	C661076-0101	%	GYRO-HORIZON -----							1	
	C661076-0103	%	GYRO-HORIZON -----							1	
	C661076-0105	%	GYRO-HORIZON -----							1	B
			ATTACHING PARTS -----								
- 4	AN516B6R6		SCREW -----							4	
			-----*-----								
- 5	S1495-6		HOSE-11.50 IN LG BKI REF S1499-6L-11.50 -----							1	
			HORIZON GYRO TO RELIEF VALVE -----								
- 6	S1495-6		HOSE-19.25 IN LG BKI REF S1499-6L-19.25 -----							2	
			GYROS TO AIR FILTER -----								
- 7	S1495-4		HOSE-** IN LG BKI REF S1499-4J-** -----							1	
			HORIZON GYRO TOP SIDE OF SUCTION GAGE -----								
- 8	S1495-4		HOSE-** IN LG BKI REF S1691-2-** -----							1	
			HORIZON GYRO TO V SIDE OF SUCTION GAGE -----								
- 9	S1495-6		HOSE-11.50 IN LG BKI REF S1499-6L-11.50 -----							1	
			DIRECTIONAL GYRO TO RELIEF VALVE -----								
-10	S1495-10		HOSE-33.75 IN LG BKI REF S1495-10-33.75 -----							1	
			RELIEF VALVE TO VACUUM PUMP -----								
-11	S1497-6		FITTING-SOCKETLESS -----							4	
-12	S1693-1		STA STRAP -----							2	
-13	S1497-4		FITTING-SOCKETLESS -----							1	
-14	NAS397-8		CLAMP -----							3	
-15	1713039-1		ELBOW-ASSEMBLY -----							1	
-16	AN816-4D		NIPPLE -----							1	
-17	MS20826-6D		TEE -----							1	
-18	AN8160-6D		NIPPLE -----							3	
-19	MS20913-1D		PLUG-PIPE -----							1	
-20	S1494-10		CLAMP -----							2	
-21	S1494-14		CLAMP -----							2	
-22	C668509-0101		GAGE-SUCTION -----							1	
-23	C294502-0101		AIR FILTER ASSY-VACUUM -----							1	
			ATTACHING PARTS -----								
-24	S1693-3		STA STRAP -----							2	
			-----*-----								
-25	0713533-1		U TUBE-VACUUM FILTER -----							1	
-26	S1495-6		HOSE-2.0 IN LG BKI -----							1	
			ATTACHING PARTS -----								
-27	S1693-1		STA STRAP -----							2	
			-----*-----								
-28	0513448-1		BRACKET-AIR FILTER -----							1	
			ATTACHING PARTS -----								
-29	AN520-10R10		SCREW -----							2	
-30	AN960PD10L		WASHER -----							4	
-31	MS21045L3		NUT -----							2	
			-----*-----								
-32	C482001-0401		VALVE-VACUUM RELIEF -----							1	
			ATTACHING PARTS -----								
-33	AN924-10D		NUT -----							1	
-34	S1450-14A20-016		WASHER -----							2	
			-----*-----								
-35	C482001-0202		FILTER ELEMENT -----							1	
-36	C431003-0103		PUMP-VACUUM -----							1	
	C431002-0102		PUMP-VACUUM ALTERNATE -----							1	
	C431003-0301	%	PUMP-VACUUM ALTERNATE -----							1	
-37	S1861-6		ELBOW -----							1	
-38	AN816-6-6D		NIPPLE -----							1	

CONTINUED ON NEXT PAGE

FIGURE AND INDEX NO.	PART NUMBER	DESCRIPTION	UNITS PER ASSY	USABLE ON CODE
79A-39 -40	0400311-88 AN912-4D	<p style="text-align: center;">1 2 3 4 5 6 7</p> <p>TUBE ----- BUSHING USED WITH C431003-0301 PUMP ONLY -----</p> <p>NOTE. *THESE GYROS ARE PHYSICALLY & FUNCTIONALLY INTERCHANGEABLE.</p> <p>NOTE. †THESE GYROS ARE PHYSICALLY & FUNCTIONALLY INTERCHANGEABLE.</p> <p>NOTE. **LENGTH TO BE DETERMINED LATER.</p> <p>NOTE. ‡WHEN C431003-0301 PUMP IS SUPPLIED AS A SPARE FOR C431002-0102 OR C431003-0103 PUMP, TWO AN912-4D BUSHINGS MUST ALSO BE ORDERED.</p> <p>A---150 SERIAL 15077006 & ON F150 SERIAL F15001249 & ON A150 SERIAL A1500610 & ON FA150 SERIAL FA1500282 & ON</p> <p>B---150 SERIAL 15077006 & ON A150 SERIAL A1500610 & ON</p>	1 2	



FIGURE AND INDEX NO.	PART NUMBER	DESCRIPTION	UNITS PER ASSY	USABLE ON CODE
80 -		ELECTRICAL EQUIPMENT INSTALLATION -----	NP	
- 1	0511319-201 *	BATTERY KIT-AIRCRAFT -----	1	
- 2	0412007-9	STRAP-BATTERY GROUND -----	1	
	S292-16	SLEEVING-INSULATION 10.00 IN LG BKI -----	1	K
- 3	0410011-PA8	CABLE-BATTERY TO BATTERY CONTACTOR -----	1	J
	0470401-PA1	CABLE-BATTERY TO BATTERY CONTACTOR -----	1	K
- 4	0410011-PA14	CABLE-BATTERY CONTACTOR TO STARTER CONTACTOR -----	1	J
	0470401-PA5	CABLE-BATTERY CONTACTOR TO STARTER CONTACTOR -----	1	K
- 5	S1579-1	CONTACTOR-BATTERY WEU S1579-2 -----	1	E
	S1579-2	CONTACTOR-BATTERY -----	1	F
		ATTACHING PARTS		
- 6	AN3-3A	BOLT -----	2	
- 7	AN960-10L	WASHER -----	2	
- 8	MS20365-1032C	NUT -----	2	
		----*----		
- 9	S1807-1	COVER -----	2	
-10	S2209-1	STA-STRAP -----	2	
-11	0770728-1	DIODE ASSEMBLY INCLUDES TERMINALS -----	1	
-12	S1090-22	FUSE HOLDER ASSEMBLY-ELECTRIC CLOCK & HOURMETER -----	1	
	S1090-23	CAP -----	1	
	S1091-1	FUSE-1 AMP ELECTRIC CLOCK & HOURMETER -----	1	
		GROUND SERVICE PLUG INSTALLATION -----	1	
-13	AN2552-3A	RECEPTACLE-GROUND SERVICE PLUG -----	1	
		ATTACHING PARTS		
-14	AN509-10R14	SCREW -----	2	
-15	MS21045L3	NUT -----	2	
		----*----		
-16	0553005-1	BRACKET-GROUND SERVICE PLUG -----	1	
-17	0453004-1	DOUBLER -----	1	
-18	0453005-1	STIFFENER -----	1	
-19	0312155-10	GROUND STRAP -----	1	

CONTINUED ON NEXT PAGE

Electrical Equipment

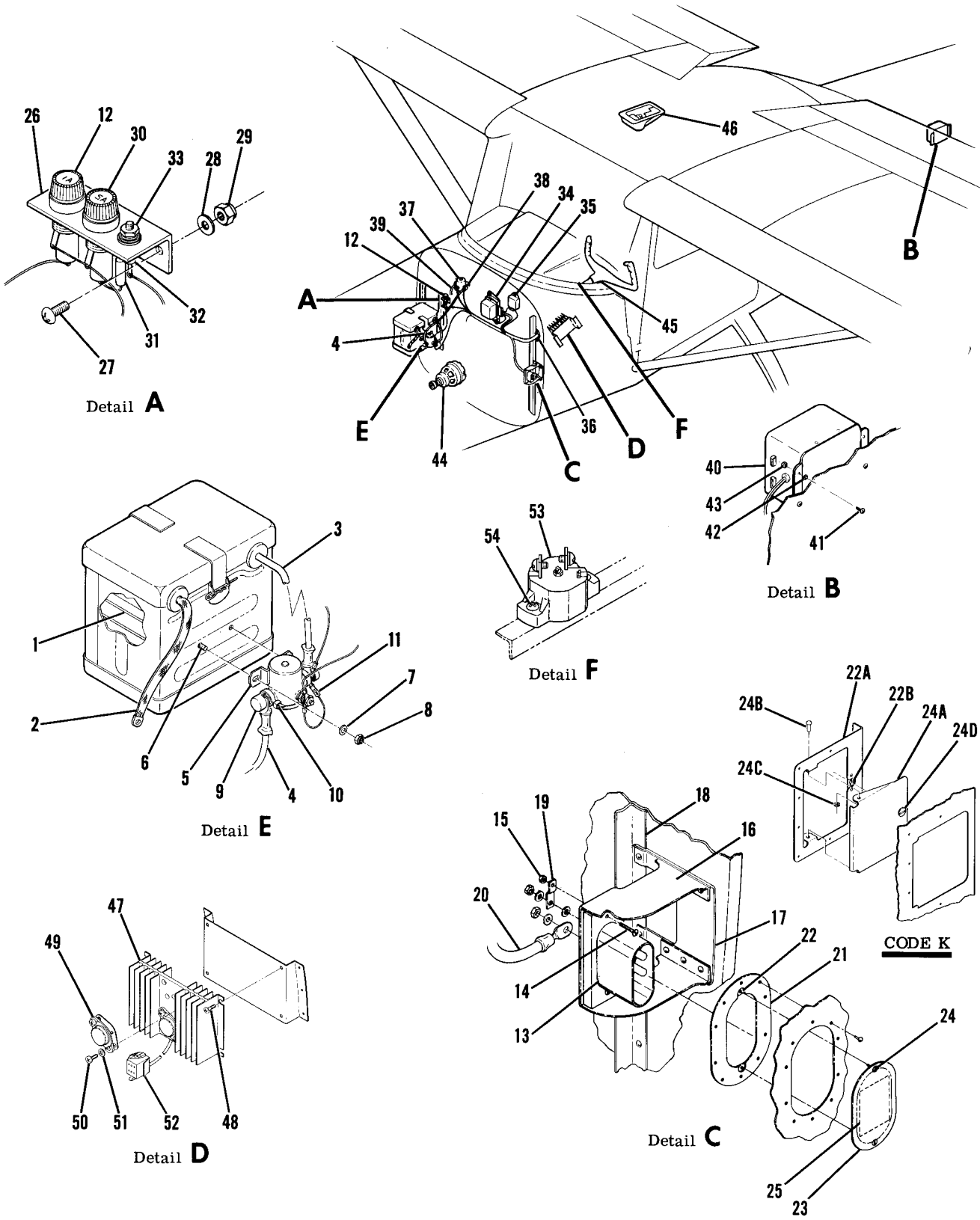


Figure 80. Electrical Equipment Installation



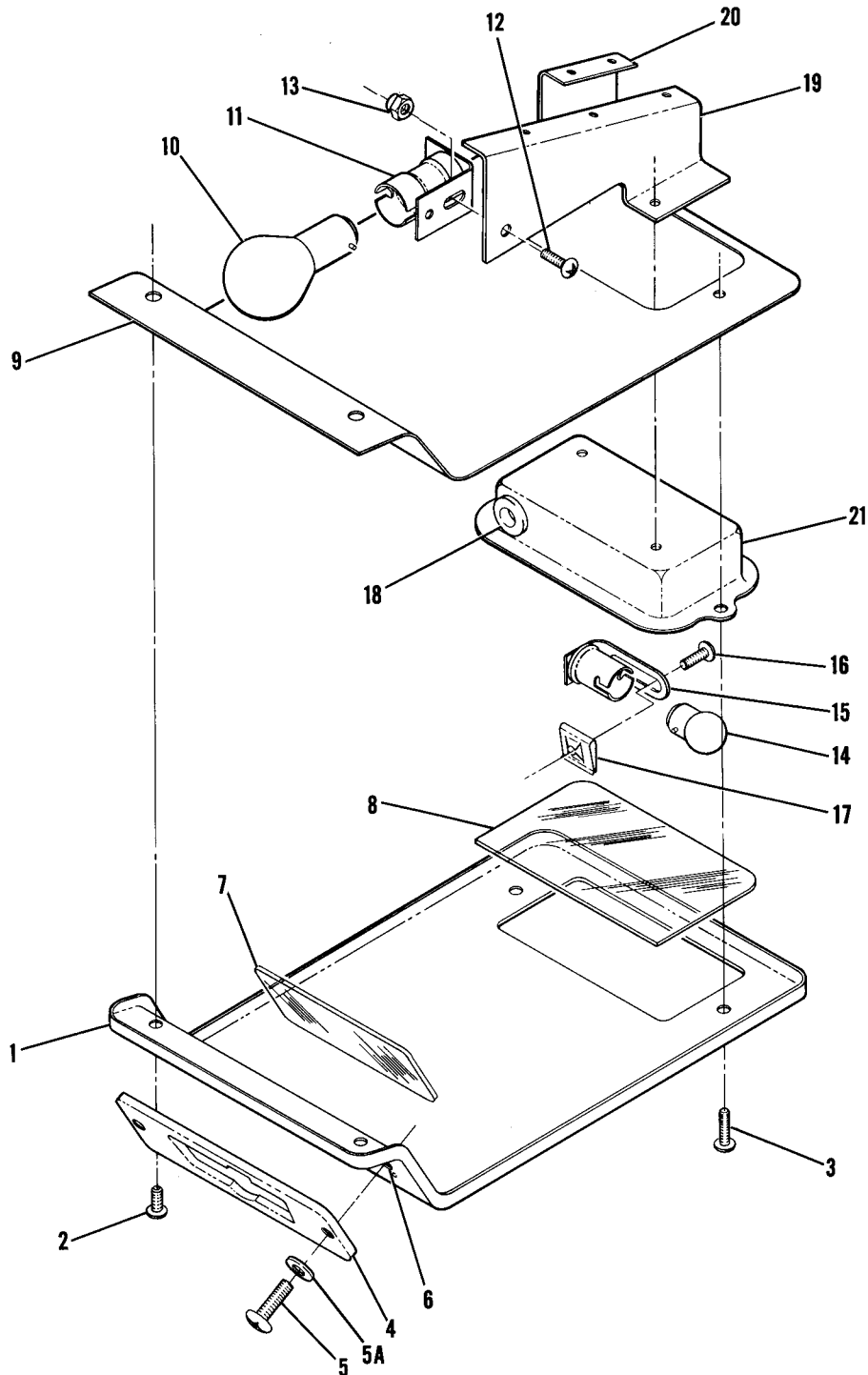
FIGURE AND INDEX NO.	PART NUMBER	DESCRIPTION							UNITS PER ASSY	USABLE ON CODE
		1	2	3	4	5	6	7		
80 -20	0410011-PC1	CABLE-GROUND SERVICE PLUG TO BATTERY CONTACTOR -----							1	J
	0470401-PC1	CABLE-GROUND SERVICE PLUG TO BATTERY CONTACTOR -----							1	K
-21	0752610-1	DOUBLER ASSEMBLY -----							1	J
-22	S1115-19	RECEPTACLE-STUD -----							2	J
-22A	0552161-2	DOUBLER ASSY -----							1	K
-22B	S1115-19	RECEPTACLE -----							1	K
-23	0752611-1	DOOR ASSY-GROUND SERVICE PLUG -----							1	J
-24	S1115-30	STUD -----							2	J
	S1115-9	RING -----							2	J
-24A	0552161-4	DOOR ASSY-GROUND SERVICE PLUG -----							1	K
		ATTACHING PARTS								
-24B	MS20450C8-5	RIVET-TUBLAR -----							2	K
-24C	AN960XCL4	WASHER -----							2	K
		---*---								
-24D	S1115-1	STUD -----							1	K
	S1115-9	RING -----							1	K
-25		PLACARD SEE PLACARD FIGURES -----							1	
-26	0712031-1	MOUNTING BRACKET-FUSE & DIODE-EXT POWER & CLOCK -----							1	
		ATTACHING PARTS								
-27	AN515-10R8	SCREW -----							2	
-28	AN960-10L	WASHER -----							2	
-29	MS21045L3	NUT -----							2	
		---*---								
-30	S1090-2	FUSE HOLDER-EXTERNAL POWER -----							1	
	S1090-11	CAP -----							1	
	S1091-5	FUSE-EXTERNAL POWER 5 AMP -----							1	
-31	X26263	RESISTOR-GROUND SERVICE PLUG .75 OHMS TRTA -----							1	
-32	20H3P	DIODE-EXTERNAL POWER SATA -----							1	
	6F20-D	DIODE-EXTERNAL POWER ALTERNATE AFE -----							1	
	43-1761	INSULATING HARDWARE SPD ORDER WITH 6F20-D -----							1	
	1N1344A	DIODE-EXTERNAL POWER SPD -----							1	
		ATTACHING PARTS								
-33	LN-1032-X	NUT WECK -----							1	
	S1038-2	WASHER -----							1	
		---*---								
-34	C611001-0101	VOLTAGE REGULATOR 60 AMP WEU C611001-0102 -----							1	G
	C611001-0102	VOLTAGE REGULATOR 60 AMP -----							1	H
	C611001-0201	VOLTAGE REGULATOR 60 AMP -----							1	K
		ATTACHING PARTS								
	AN520-416R8	SCREW -----							2	
		---*---								
	C6AB10A730A	HOUSING-REGULATOR PLUG -----							1	
-35	0770038-2	NOISE FILTER -----							1	
		ATTACHING PARTS								
	AN520-8R8	SCREW -----							2	
		---*---								
-36	S1095-5	SHIELD HALF -----							2	
		ATTACHING PARTS								
	S1021Z8-6	SCREW -----							2	
	NAS446-4-3	NUT -----							2	
		---*---								
	NAS557-10A	GROMMET -----							1	
-37	S1991-1	CONTACTOR-STARTER -----							1	
		ATTACHING PARTS								
	AN3-3A	BOLT -----							2	
		---*---								
-38	S1807-1	COVER -----							2	
	S2209-1	STA-STRAP -----							2	
-39	0410011-KA3	CABLE-STARTER CONTACTOR TO STARTER -----							1	J
	0470401-KA3	CABLE-STARTER CONTACTOR TO STARTER -----							1	K
-40	C622004-0103	POWER SUPPLY-STROBE LIGHT -----							1	C
	SEE FIG 3	POWER SUPPLY-STROBE LIGHT -----							1	D
		ATTACHING PARTS								
-41	AN520-10R8	SCREW -----							4	C
-42	AN960-10L	WASHER -----							4	C
-43	MS21044N3	NUT -----							4	C
		---*---								
-44	SEE FIG 82	ALTERNATOR INSTALLATION -----							1	
-45	SEE FIG 85	CONTROL WHEEL MAP LIGHT INSTALLATION -----							1	A
	SEE FIG 85A	CONTROL WHEEL MAP LIGHT & MIKE SWITCH INSTALLATION -----							1	B

CONTINUED ON NEXT PAGE

FIGURE AND INDEX NO.	PART NUMBER	DESCRIPTION	UNITS PER ASSY	USABLE ON CODE		
					1	2
80 -46	SEE FIG 81	INSTRUMENT PANEL LIGHTS INSTALLATION -----	1	A		
	SEE FIG 81A&81B	INSTRUMENT PANEL LIGHTS INSTALLATION -----	1	B		
	SEE FIG 83	LANDING LIGHT INSTALLATION-WING -----	1	A		
	SEE FIG 83A&83B	LANDING LIGHT INSTALLATION-COWL -----	1	B		
	SEE FIG 84	FLASHING BEACON LIGHT INSTALLATION -----	1			
	SEE FIG 48 & 48A	INSTRUMENT PANEL ELECTRICAL COMPONENTS -----	1			
	-47	1570166-1	DIMMING ASSY-TRANSISTORIZED LIGHT -----	1	K	
	-48	AN520-10R6	ATTACHING PARTS			
		AN960-10L	SCREW -----	4	K	
	-49	2N3055	WASHER -----	4	K	
			-----*			
	-50	S1021Z6-8	TRANSISTOR RCA -----	2	K	
			ATTACHING PARTS			
	-51	AN960-6L	SCREW -----	2	K	
	-52	S1641-6	WASHER -----	2	K	
-----*						
-53	CA-2	HOUSING-SOCKET -----	1	K		
-54	AN515-6R8 MS21044N06	CIRCUIT BREAKER -----	1	L		
		ATTACHING PARTS				
		SCREW -----	2	L		
		NUT -----	2	L		
		-----*				
<p>NOTE. *THIS KIT INCLUDES DRY BATTERY & ELECTROLYTE</p> <p>A---150 SERIAL 15071129 THRU 15072003 F150 SERIAL F15000530 THRU F15000658 A150 SERIAL A1500001 THRU A1500226 FA150 SERIAL FA1500001 THRU FA1500081</p> <p>B---150 SERIAL 15072004 & ON F150 SERIAL F15000659 & ON A150 SERIAL A1500227 & ON FA150 SERIAL FA1500082 & ON</p> <p>C---150 SERIAL 15072004 THRU 15073658 F150 SERIAL F15000659 THRU F15000863 A150 SERIAL A1500227 THRU A1500342 FA150 SERIAL FA1500082 THRU FA1500166</p> <p>D---150 SERIAL 15073659 & ON F150 SERIAL F15000864 & ON A150 SERIAL A1500343 & ON FA150 SERIAL FA1500167 & ON</p> <p>E---150 SERIAL 15071129 THRU 15073740 F150 SERIAL F15000530 THRU F15000903 A150 SERIAL A1500001 THRU A1500344 FA150 SERIAL FA1500001 THRU FA1500191</p> <p>F---150 SERIAL 15073741 & ON F150 SERIAL F15000904 & ON A150 SERIAL A1500345 & ON FA150 SERIAL FA1500192 & ON</p> <p>G---150 SERIAL 15071129 THRU 15075632 F150 SERIAL F15000530 THRU F15001133 A150 SERIAL A1500001 THRU A1500480 FA150 SERIAL FA1500001 THRU FA1500261</p> <p>H---150 SERIAL 15075633 THRU 15077005 F150 SERIAL F15001134 THRU F15001248 A150 SERIAL A1500481 THRU A1500609 FA150 SERIAL FA1500262 THRU FA1500281</p> <p>J---150 SERIAL 15071129 THRU 15077009 F150 SERIAL F15000530 THRU F15001248 A150 SERIAL A1500001 THRU A1500609 FA150 SERIAL FA1500001 THRU FA1500281</p> <p>K---150 SERIAL 15077006 & ON F150 SERIAL F15001249 & ON A150 SERIAL A1500610 & ON FA150 SERIAL FA1500282 & ON</p> <p>L---150 SERIAL 15078506 & ON F150 SERIAL F15001339 & ON A150 SERIAL A1500685 & ON FA150 SERIAL FA1500312 & ON</p>						

This page intentionally left blank.

Electrical Equipment (Cont)

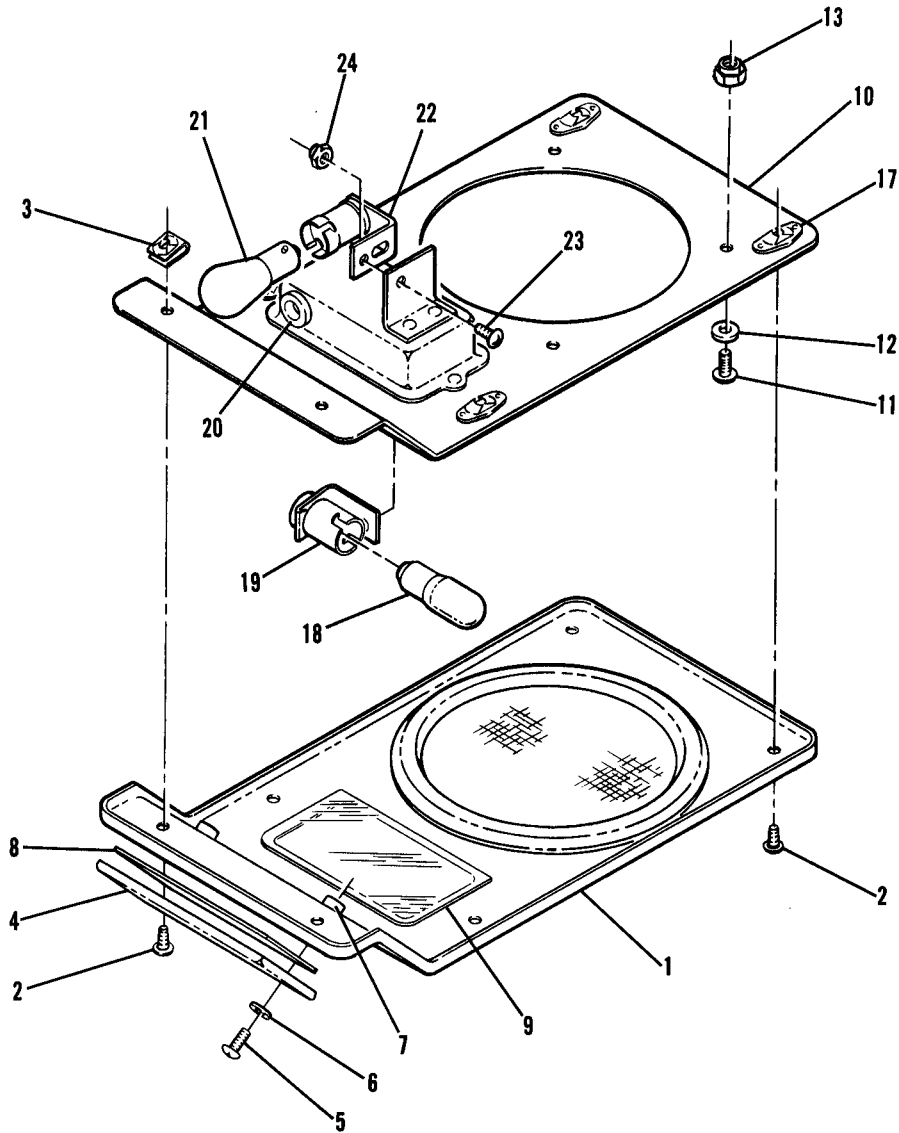


150 SERIAL 15071129 THRU 15072003
 F150 SERIAL F15000530 THRU F15000658
 A150 SERIAL A1500001 THRU A1500226
 FA150 SERIAL FA1500001 THRU FA1500081

Figure 81. Instrument Panel Lights Installation

FIGURE AND INDEX NO.	PART NUMBER	DESCRIPTION	UNITS PER ASSY	USABLE ON CODE
81 -		1 2 3 4 5 6 7		
- 1	0414013-1	INSTRUMENT PANEL LIGHT INSTALLATION ----- COVER ASSEMBLY-OVERHEAD CONSOLE ----- ATTACHING PARTS -----	NP 1	A
- 2	S102126-6	SCREW -----	2	
- 3	S102124-8	SCREW -----	2	
		---*---		
- 4	0414013-3	SHIELD ----- ATTACHING PARTS -----	1	
- 5	AN515-6R10	SCREW -----	2	
- 5A	AN960D8L	WASHER -----	2	
		---*---		
- 6	NAS680A06K	NUTPLATE -----	2	
- 7	0414013-4	LENS-INSTRUMENT LIGHT -----	1	
- 8	0413141-1	LENS-INSTRUMENT LIGHT -----	1	
- 9	0413503-1	SUPPORT-OVERHEAD CONSOLE -----	1	
-10	MS15584-2	BULB-INSTRUMENT LIGHT -----	1	
-11	0513208-1	SOCKET-INSTRUMENT LIGHT ----- ATTACHING PARTS -----	1	
-12	AN515-6-6	SCREW -----	1	
-13	MS21044N06	NUT -----	1	
		---*---		
-14	S1876-1	BULB-INSTRUMENT LIGHT -----	1	
-15	0413138	SOCKET-INSTRUMENT LIGHT ----- ATTACHING PARTS -----	1	
-16	S102124-6	SCREW -----	1	
-17	NAS395-1-3	NUT -----	1	
		---*---		
-18	MS35489-4	GROMMET -----	1	
	0413495-1	BRACKET ASSEMBLY -----	1	
-19	0413495-2	BRACKET-LH -----	1	
-20	0413495-3	BRACKET-RH -----	1	
-21	0413140-5	REFLECTOR -----	1	
		A---150 SERIAL 15071129 THRU 15072003 F150 SERIAL F15000530 THRU F15000658 A150 SERIAL A1500001 THRU A1500226 FA150 SERIAL FA1500001 THRU FA1500081		

Electrical Equipment (Cont)

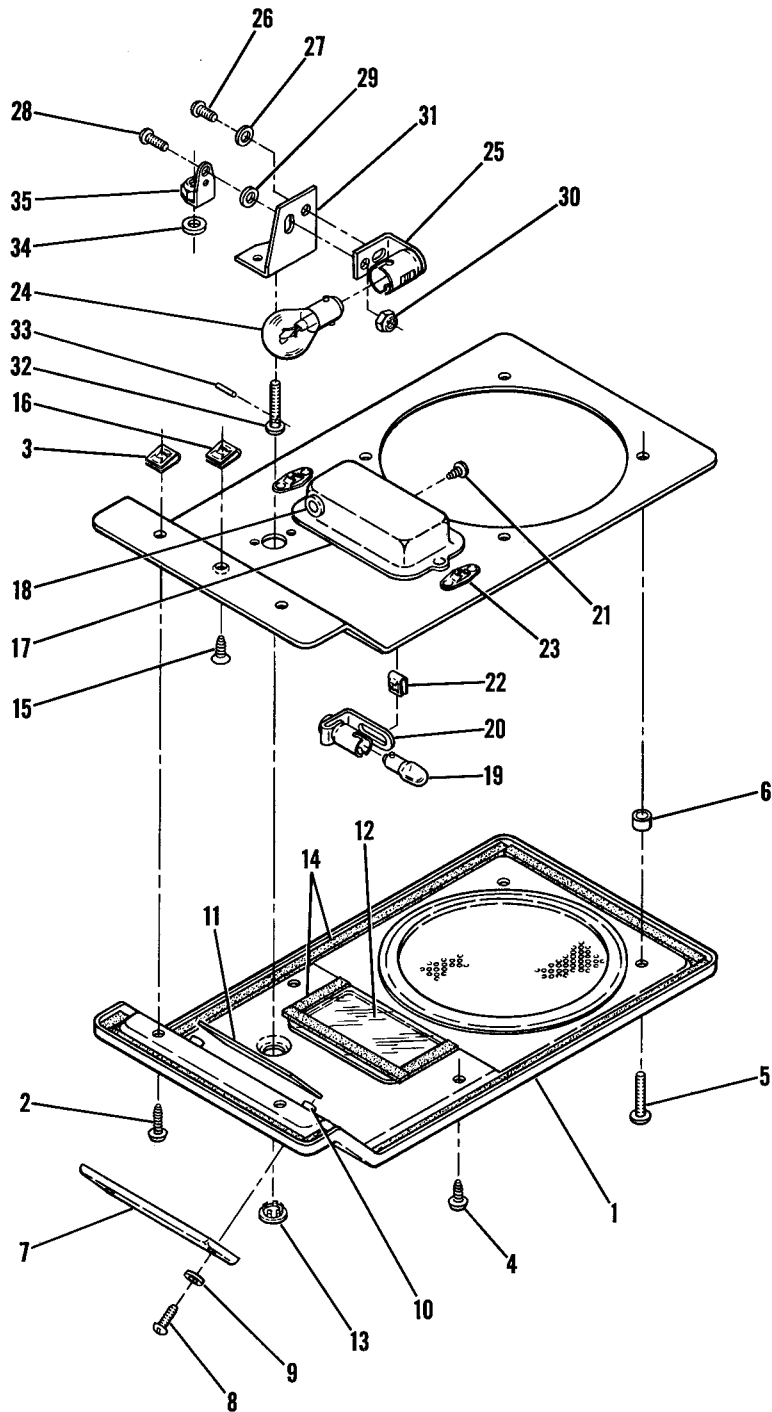


150 SERIAL 15072004 THRU 15078505
 F150 SERIAL F15000659 THRU F15001338
 A150 SERIAL A1500227 THRU A1500684
 FA150 SERIAL FA1500082 THRU FA1500311

Figure 81A. Instrument Panel Lights Installation

FIGURE AND INDEX NO.	PART NUMBER	DESCRIPTION	UNITS PER ASSY	USABLE ON CODE
81A--		1 2 3 4 5 6 7		
- 1	0470114-1	INSTRUMENT PANEL LIGHT INSTALLATION ----- COVER ASSEMBLY-OVERHEAD CONSOLE ----- ATTACHING PARTS -----	NP 1	A
- 2	S102126-10	SCREW -----	6	
- 3	NAS395-3-3	NUT -----	2	
		*-----		
- 4	0414013-3	SHIELD ----- ATTACHING PARTS -----	1	
- 5	AN515-6R10	SCREW -----	2	
- 6	S1554-3	WASHER -----	2	
		*-----		
- 7	NAS680A06K	NUTPLATE -----	2	
- 8	0414013-4	LENS-INSTRUMENT LIGHT -----	1	
- 9	0413141-1	LENS-INSTRUMENT LIGHT -----	1	
-10	0470112-1	SUPPORT ASSEMBLY-OVERHEAD CONSOLE ----- ATTACHING PARTS -----	1	
-11	AN515-8R8	SCREW -----	4	
-12	AN960-8L	WASHER -----	4	
-13	MS2104408	NUT -----	4	
		*-----		
-14		DELETED, NEVER USED -----		
-15		DELETED, NEVER USED -----		
-16		DELETED, NEVER USED -----		
-17	S1863-2A	NUTPLATE -----	4	
-18	S1876-1	BULB-INSTRUMENT LIGHT -----	1	
-19	0413138	SOCKET-INSTRUMENT LIGHT ----- ATTACHING PARTS -----	1	
	S102126-4	SCREW -----	2	
	NAS395-1-3	NUT -----	2	
		*-----		
-20	MS35489-4	GROMMET -----	1	
-21	MS15584-2	BULB-INSTRUMENT LIGHT -----	1	
-22	0513208-1	SOCKET-INSTRUMENT LIGHT ----- ATTACHING PARTS -----	1	
-23	AN515-6-6	SCREW -----	1	
-24	MS21044N06	NUT -----	1	
		*-----		
		A---150 SERIAL 15072004 THRU 15078505 F150 SERIAL F15000659 THRU F15001338 A150 SERIAL A1500227 THRU A1500684 . FA150 SERIAL FA1500082 THRU FA1500311		

Electrical Equipment (Cont)



150 SERIAL 15078506 & ON
 F150 SERIAL F15001339 & ON
 A150 SERIAL A1500685 & ON
 FA150 SERIAL FA1500312 & ON

Figure 81B. Instrument Panel Light Installation

FIGURE AND INDEX NO.	PART NUMBER	DESCRIPTION	UNITS PER ASSY	USABLE ON CODE
818-		1 2 3 4 5 6 7		
- 1	0414068-1	INSTRUMENT PANEL LIGHT INSTALLATION ----- COVER ASSY-OVERHEAD CONSOLE ----- ATTACHING PARTS	1 1	A
- 2	S1021Z6-10	SCREW -----	2	
- 3	NAS395-3-3	NUT -----	2	
- 4	S1021Z6-8	SCREW -----	2	
- 5	AN520-10R12	SCREW -----	2	
- 6	NAS43HT3-16	SPACER ----- -----*	2	
- 7	0414069-1	SHIELD-OVERHEAD CONSOLE ----- ATTACHING PARTS	1	
- 8	AN515-6R8	SCREW -----	2	
- 9	S1554-3	WASHER ----- -----*	2	
-10	NAS697A06L	NUTPLATE -----	2	
-11	0414013-4	LENS-INSTRUMENT LIGHT -----	1	
-12	0413141-1	LENS-OVERHEAD LIGHT -----	1	
-13	CM2692-12R3S	PLUG BUTTON -----	1	
-14	S2108-2	SEAL BKI -----	AR	
	0414067-1	SUPPORT ASSY-OVERHEAD CONSOLE ----- ATTACHING PARTS	1	
-15	S1022Z6-8	SCREW -----	1	
-16	NAS395-3-3	NUT ----- -----*	1	
-17	0470118-2	REFLECTOR-OVERHEAD CONSOLE LIGHT -----	1	
-18	MS35489-4	GROMMET -----	1	
-19	S1876-1	BULB-OVERHEAD LIGHT -----	1	
-20	0413138	SOCKET-OVERHEAD LIGHT ----- ATTACHING PARTS	1	
-21	S1021Z6-4	SCREW -----	2	
-22	NAS395-2-3	NUT ----- -----*	2	
-23	S1863-2A	NUTPLATE -----	2	
-24	MS15584-2	BULB-INSTRUMENT LIGHT -----	1	
-25	0513208-1	SOCKET-INSTRUMENT LIGHT ----- ATTACHING PARTS	1	
-26	AN520-8R6	SCREW -----	1	
-27	NAS620-8	WASHER -----	1	
-28	AN520-8R7	SCREW -----	1	
-29	NAS620-10	WASHER -----	1	
-30	MS21044N08	NUT ----- -----*	2	
-31	0511324-2	BRACKET-ADJUSTABLE INSTRUMENT LIGHT -----	1	
-32	0511324-4	SCREW-ADJUSTABLE INSTRUMENT LIGHT -----	1	
-33	MS16562-193	ROLL PIN -----	1	
-34	AN960-10	WASHER -----	1	
-35	0511324-3	NUT-ADJUSTABLE INSTRUMENT LIGHT -----	1	
		A---150 SERIAL 15078506 & ON F150 SERIAL F15001339 & ON A150 SERIAL A1500685 & ON FA150 SERIAL FA1500312 & ON		

Electrical Equipment (Cont)

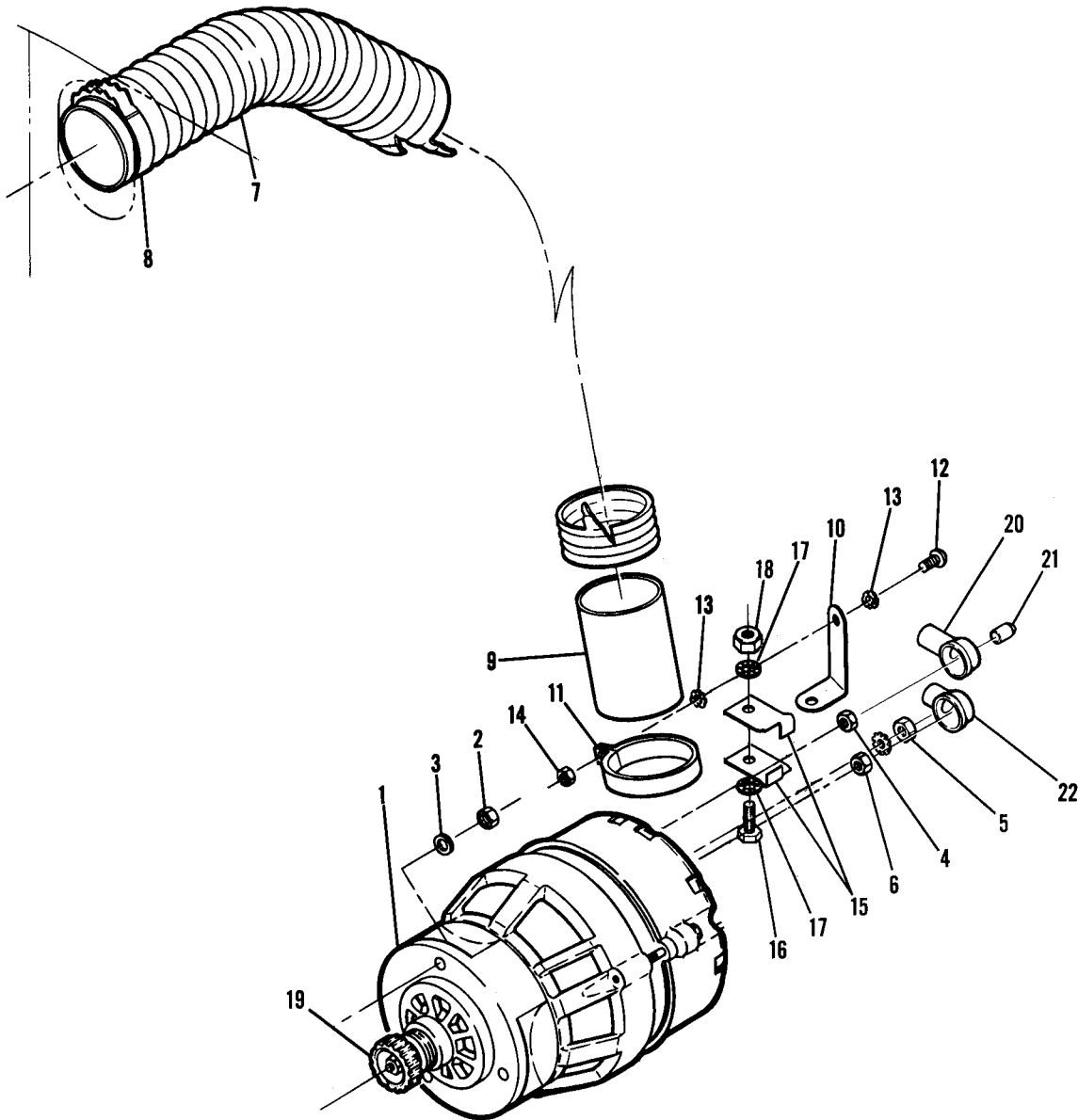
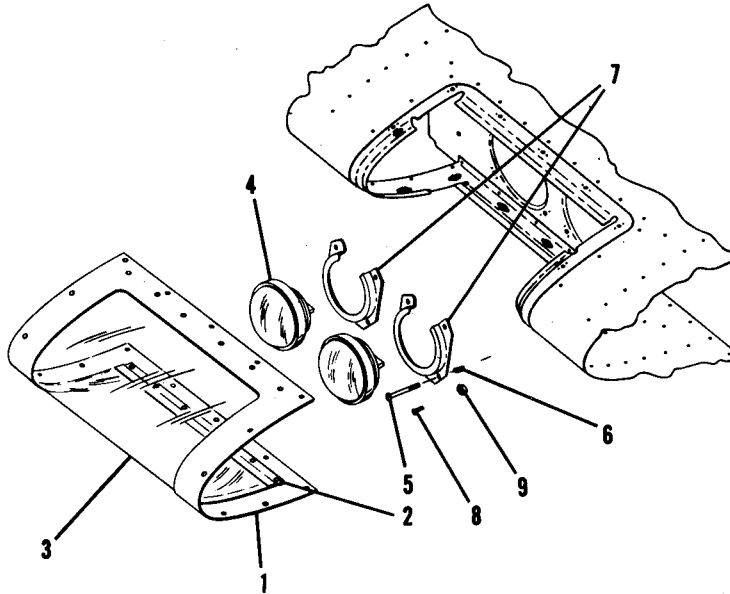


Figure 82. 60 Amp Alternator Installation

FIGURE AND INDEX NO.	PART NUMBER	DESCRIPTION	UNITS PER ASSY	USABLE ON CODE
82 -		1 2 3 4 5 6 7		
- 1	C611501-0202 C611501-0204	ALTERNATOR INSTALLATION-60 AMP ALTERNATOR ASSEMBLY WEU C611501-0204 ALTERNATOR ASSEMBLY ATTACHING PARTS	NP 1 1	A B
- 2	MS21042L5	NUT	3	
- 3	AN960-516	WASHER -----*-----	3	
- 4	MS21042L4	NUT ON BATTERY TERMINAL	1	A
	AN340-416	NUT ON BATTERY TERMINAL	1	B
- 5	MS21045L3	NUT ON FIELD TERMINAL	1	A
	AN340-10	NUT ON FIELD TERMINAL	1	B
	AN936A10	WASHER ON FIELD TERMINAL	1	
- 6	MS21045L3	NUT ON GROUND TERMINAL	1	A
	AN340-10	NUT ON GROUND TERMINAL	1	B
- 7	S1053E16T	HOSE-18 IN LG BULK ITEM REF S1053E16T18	1	
- 8	NAS397-34	CLAMP	1	
- 9	0450032-1	SUPPORT-BLAST TUBE	1	
-10	0450037-1	STRAP-BLAST TUBE SUPPORT	1	
-11	AN735-32	CLAMP	1	
-12	AN520-10R12	SCREW	1	
-13	AN936A10	WASHER	3	
-14	MS21045L3	NUT	1	
-15	0450036-1	CLAMP-HALF	2	
-16	AN3-3	BOLT	1	
-17	AN936A10	WASHER	2	
-18	MS20364-1032C	NUT	1	
-19	EQ5820	DRIVE ASSEMBLY-ALTERNATOR	1	
-20	S2114-1	NIPPLE	1	C
-21	S2093-2	COVER	1	C
-22	S2114-2	NIPPLE	1	C
<p>A---150 SERIAL 15071129 THRU 15072143 F150 SERIAL F15000530 THRU F15000658 A150 SERIAL A1500001 THRU A1500241 FA150 SERIAL FA1500001 THRU FA1500081</p> <p>B---150 SERIAL 15072144 & ON F150 SERIAL F150000659 & ON A150 SERIAL A1500242 & ON FA150 SERIAL FA1500082 & ON</p> <p>C---150 SERIAL 15072629 & ON F150 SERIAL F15000739 & ON A150 SERIAL A1500277 & ON FA150 SERIAL FA1500122 & ON</p>				

Electrical Equipment (Cont)



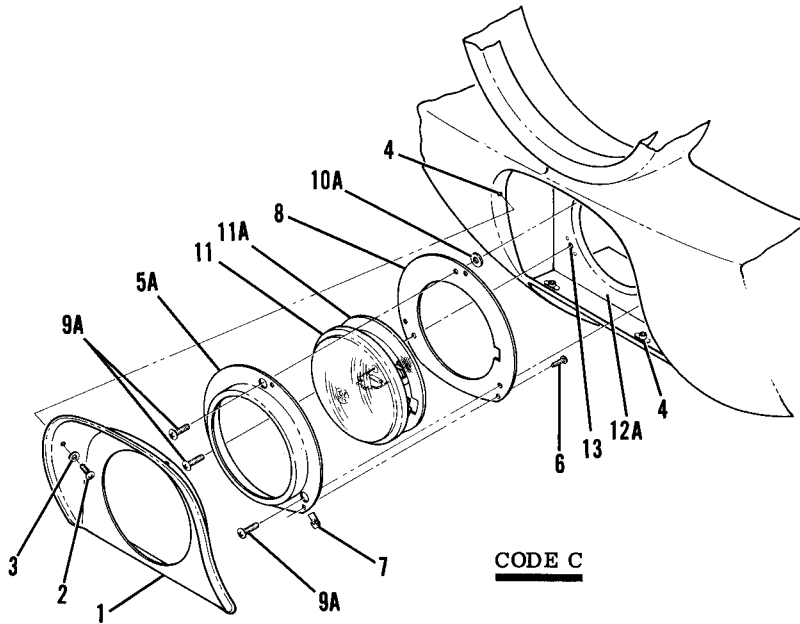
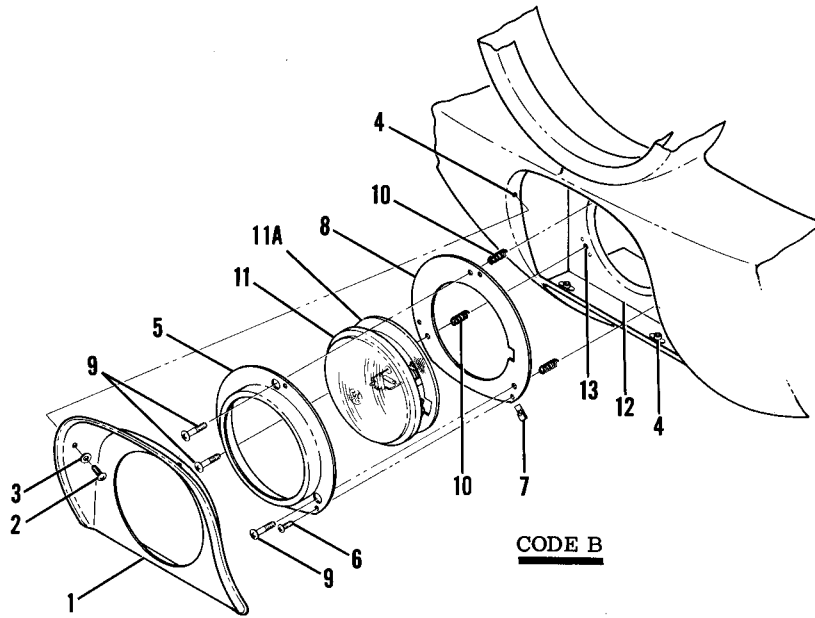
150 SERIAL 15071129 THRU 15072003
 F150 SERIAL F15000530 THRU F15000658
 A150 SERIAL A1500001 THRU A1500226
 FA150 SERIAL FA1500001 THRU FA1500081

Figure 83. Landing Light Installation

FIGURE AND INDEX NO.	PART NUMBER	DESCRIPTION	UNITS PER ASSY	USABLE ON CODE
83 -		1 2 3 4 5 6 7		
- 1	0523115	LANDING LIGHT INSTALLATION-WING -----	NP	A
- 2	0523115-3	WINDOW ASSEMBLY-LANDING LIGHT -----	1	
- 3	0523115-5	RETAINER -----	2	
- 4	0523118-1	WINDOW-PLEXIGLASS -----	1	
		LIGHT-LANDING -----	2	
		ATTACHING PARTS		
- 5	AN515-8R26	SCREW -----	3	
- 6	0713124-1	SPRING -----	3	
- 7	0423542-6	BRACKET ASSEMBLY -----	1	
		-----*		
- 8	AN515-8R7	SCREW -----	1	
- 9	MS21044N08	NUT -----	1	
		A---150 SERIAL 15071129 THRU 15072003 F150 SERIAL F15000530 THRU F15000658 A150 SERIAL A1500001 THRU A1500226 FA150 SERIAL FA1500001 THRU FA1500081		

This page intentionally left blank.

Electrical Equipment (Cont)

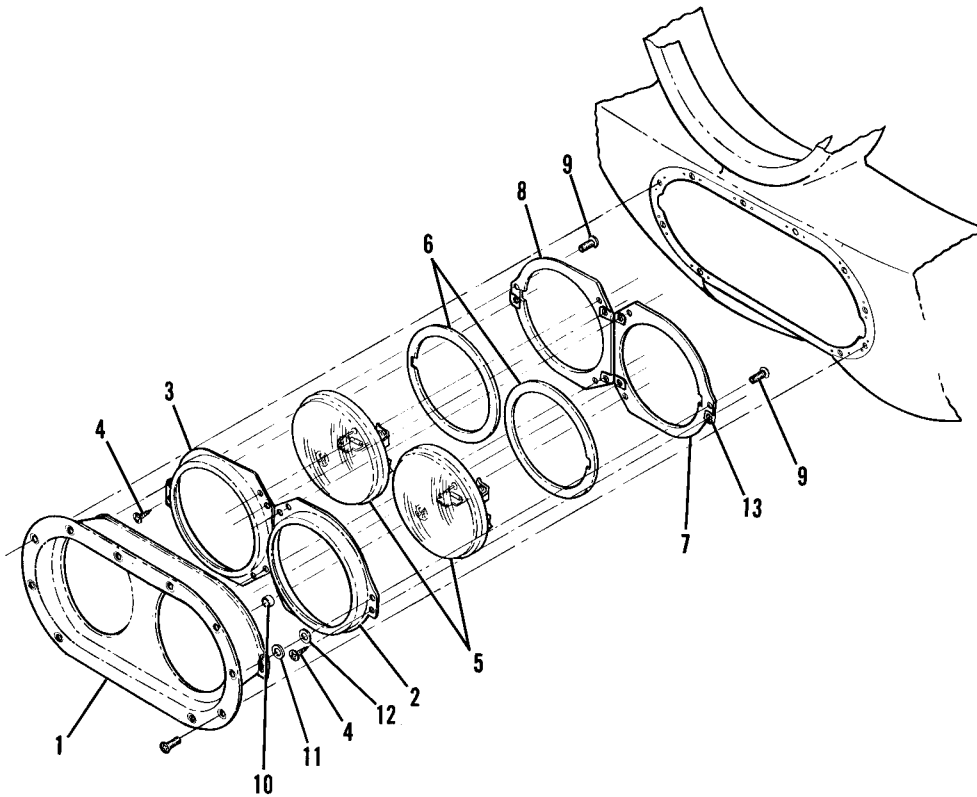


150 SERIAL 15072004 & ON
F150 SERIAL F15000659 & ON
A150 SERIAL A1500227 & ON
FA150 SERIAL FA1500082 & ON

Figure 83A. Landing Light Installation - Cowl

FIGURE AND INDEX NO.	PART NUMBER	DESCRIPTION	UNITS PER ASSY	USABLE ON CODE
		1 2 3 4 5 6 7		
83A-		LANDING LIGHT INSTALLATION-COWL -----	NP	A
- 1	0452013-2	COVER-COWL LIGHT -----	1	
		ATTACHING PARTS -----		
- 2	AN515-8R6	SCREW -----	6	
- 3	AN960-8L	WASHER -----	6	
- 4	NAS680A08	NUTPLATE -----	6	
		-----*		
- 5	0452015-2	BRACKET -----	1	B
- 5A	0452015-6	BRACKET -----	1	C
		ATTACHING PARTS -----		
- 6	S1021Z6-8	SCREW -----	3	
- 7	NAS488-1-3	NUT -----	3	
		-----*		
- 8	0452015-7	PLATE -----	1	
		ATTACHING PARTS -----		
- 9	AN515-8R18	SCREW -----	3	B
- 9A	AN515-8R8	SCREW -----	3	C
-10	0450277-11	SPRING -----	3	B
-10A	AN960-10	WASHER -----	AR	C
	AN960-10L	WASHER -----	AR	C
		-----*		
-11	4313	LIGHT GE -----	1	
-11A	0752646-1	GASKET -----	AR	
-12	0452014-1	BRACKET ASSEMBLY-LANDING LIGHT SUPPORT -----	1	B
-12A	0452018-1	BRACKET ASSEMBLY-LANDING LIGHT SUPPORT WEU 0452018-5 -----	1	D
	0452018-5	BRACKET ASSEMBLY-LANDING LIGHT SUPPORT -----	1	E
-13	NAS680A08	NUTPLATE -----	3	
<p>A---150 SERIAL 15072004 & ON F150 SERIAL F15000659 & ON A150 SERIAL A1500227 & ON FA150 SERIAL FA1500082 & ON</p> <p>B---150 SERIAL 15072004 THRU 15072628 F150 SERIAL F15000659 THRU F15000738 A150 SERIAL A1500227 THRU A1500276 FA150 SERIAL FA1500082 THRU FA1500166</p> <p>C---150 SERIAL 15072629 & ON F150 SERIAL F15000739 & ON A150 SERIAL A1500277 & ON FA150 SERIAL FA1500167 & ON</p> <p>D---150 SERIAL 15072629 THRU 15074012 F150 SERIAL F15000739 THRU F15000903 A150 SERIAL A1500277 THRU A1500362 FA150 SERIAL FA1500167 THRU FA1500191</p> <p>E---150 SERIAL 15074013 & ON F150 SERIAL F15000904 & ON A150 SERIAL A1500363 & ON FA150 SERIAL FA1500192 & ON</p>				

Electrical Equipment (Cont)



150 SERIAL 15074851 & ON
F150 SERIAL F15001014 & ON
A150 SERIAL A1500430 & ON
FA150 SERIAL FA1500212 & ON

Figure 83B. Landing Light Installation - Cowl

FIGURE AND INDEX NO.	PART NUMBER	DESCRIPTION							UNITS PER ASSY	USABLE ON CODE
		1	2	3	4	5	6	7		
83B-		LANDING LIGHT INSTALLATION-COWL -----							NP	A
- 1	SEE FIG 55A	SUPPORT ASSEMBLY-LANDING LIGHT -----							1	
- 2	1752118-1	BRACKET-LH -----							1	
- 3	1752118-2	BRACKET-RH -----							1	
		ATTACHING PARTS								
- 4	S102126-8	SCREW -----							3	
		-----*								
- 5	4509	BULB-LANDING LIGHT GE -----							2	
- 6	0752646-1	GASKET -----							AR	
- 7	1752118-3	PLATE ASSEMBLY-LH -----							1	
- 8	1752118-4	PLATE ASSEMBLY-RH -----							1	
		ATTACHING PARTS								
- 9	AN515-8R6	SCREW -----							3	
-10	NAS43DD3-12	SPACER LH ONLY -----							1	
-11	AN960-10	WASHER LH ONLY -----							AR	
-12	AN960-10L	WASHER LH ONLY -----							AR	
		-----*								
-13	NAS448-1-3	NUT -----							3	
		A---150 SERIAL 15074851 & ON								
		F150 SERIAL F15001014 & ON								
		A150 SERIAL A1500430 & ON								
		FA150 SERIAL FA1500212 & ON								

Electrical Equipment (Cont)

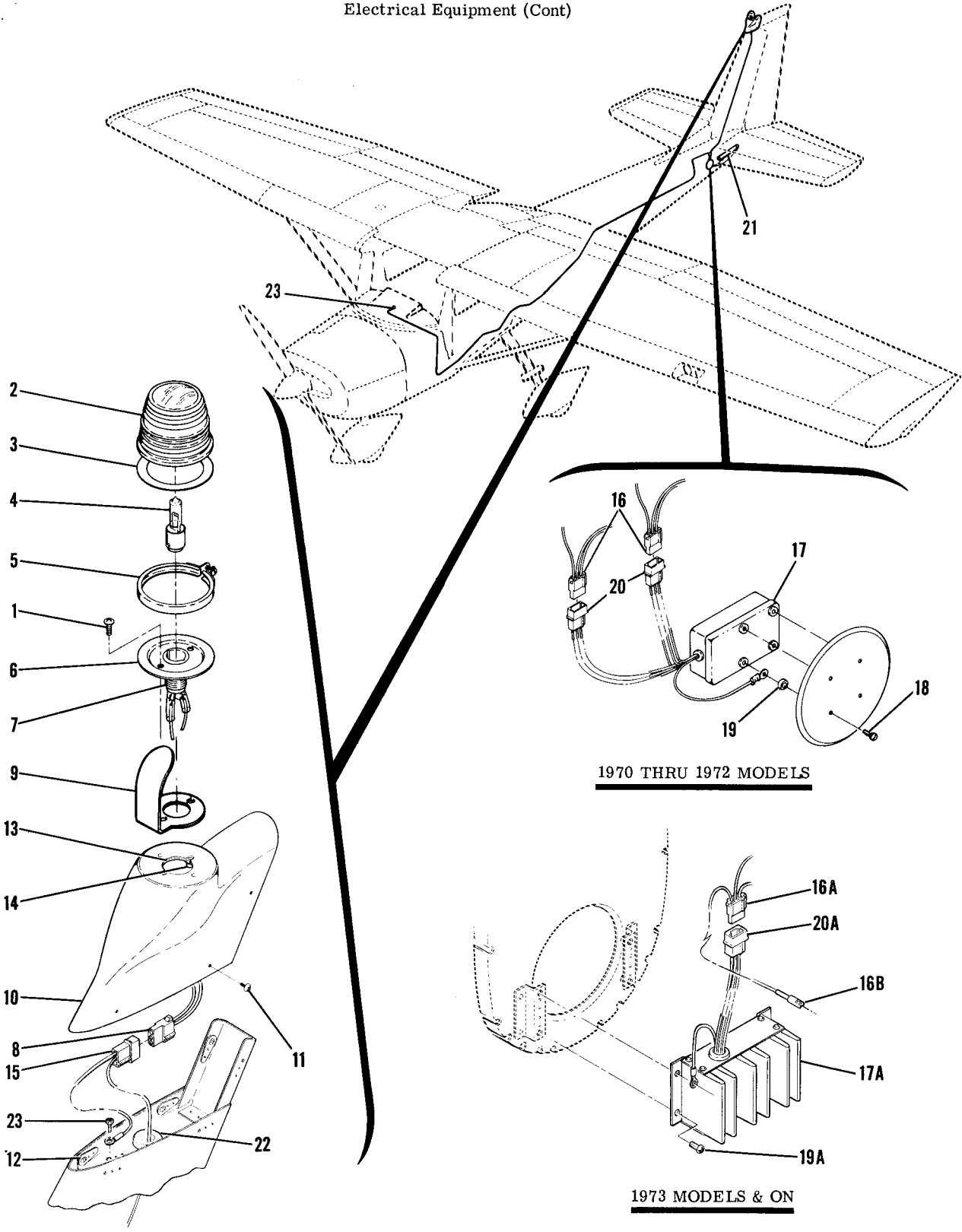
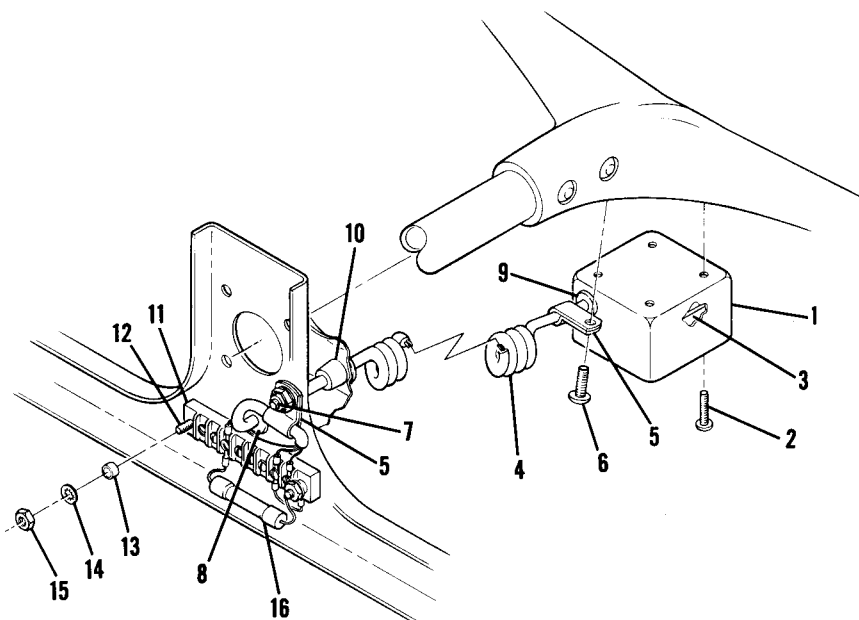


Figure 84. Flashing Beacon Light Installation

FIGURE AND INDEX NO.	PART NUMBER	DESCRIPTION	UNITS PER ASSY	USABLE ON CODE
		1 2 3 4 5 6 7		
84 -	C621001-0103 C621001-0106	FLASHING BEACON LIGHT INSTALLATION ----- LIGHT ASSEMBLY-FLASHING BEACON WEU C621001-0106 ----- LIGHT ASSEMBLY-FLASHING BEACON -----	NP 1 1	F G
- 1	AN515-8R8	ATTACHING PARTS SCREW -----	2	
- 2	C17325	DOME AEFS -----	1	
- 3	C17330	GASKET AEFS -----	1	
- 4	C17312-3	BULB-FLASHING BEACON 125 WATT AEFS -----	1	F
- 5	C17326	CLAMP ASSEMBLY AEFS -----	1	
- 6	C17331-3 C17331-6	PLATE-MOUNTING AEFS WEU C17331-6 ----- PLATE-MOUNTING AEFS -----	1 1	F G
- 7	C17313	SOCKET ASSEMBLY AEFS -----	1	
- 8	S1638-1	HOUSING-PLUG -----	1	
- 9	0400215-1	SHIELD -----	1	
-10	0431017-1-791 0430011-3-791	TIP ASSEMBLY-FLASHING BEACON ----- TIP ASSEMBLY-FLASHING BEACON -----	1 1	H J
-11	S102126-4	ATTACHING PARTS SCREW -----	6	
-12	S1862-1	NUTPLATE -----	6	
-13	0431017-2	PLATE ASSEMBLY-MOUNTING -----	1	
-14	NAS680A08	NUTPLATE -----	2	
-15	S1638-2	HOUSING-CAP -----	1	
-16	S1638-1	HOUSING PLUG -----	1	A
	S1638-1	HOUSING PLUG -----	2	B
-16A	S1638-1	HOUSING PLUG -----	1	E
-16B	S1637-1	HOUSING CAP -----	1	E
-17	C594501-0201 C594501-0203	FLASHER ASSEMBLY-BEACON LIGHT WEU C594501-0203 ----- FLASHER ASSEMBLY-BEACON LIGHT -----	1 1	A B
-17A	C594502-0101	FLASHER ASSEMBLY-BEACON LIGHT ----- ATTACHING PARTS	1	E
-18	AN515-8R8	SCREW -----	4	B
-19	NAS43HT3-8	SPACER -----	4	B
-19A	AN515-8R6	SCREW -----	4	E
-20	S1638-2	HOUSING CAP -----	1	A
	S1638-2	HOUSING CAP -----	2	B
-20A	S1638-2	HOUSING CAP -----	1	E
-21	OR95-1.5	RESISTOR LTVE -----	1	C
	AN515-8R9 MS21044N08	ATTACHING PARTS SCREW ----- NUT -----	2 2	
-22	MS35489-13 MS35489-4	GROMMET ----- GROMMET -----	1 1	D E
-23	AN515-8R6	SCREW -----	1	E
-24	SEE FIG 48 SEE FIG 48	SWITCH ASSEMBLY ----- FUSE -----	1 1	
		A---150 SERIAL 15071129 THRU 15071388 F150 SERIAL F15000530 THRU F15000679 A150 SERIAL A1500001 THRU A1500062 FA150 SERIAL FA1500001 THRU FA1500009 B---150 SERIAL 15071389 THRU 15073658 F150 SERIAL F15000680 THRU F15000863 A150 SERIAL A1500063 THRU A1500342 FA150 SERIAL FA1500010 THRU FA1500166 C---150 SERIAL 15071954 & ON F150 SERIAL F15000659 & ON A150 SERIAL A1500217 & ON FA150 SERIAL FA1500060 & ON D---150 SERIAL 15071129 THRU 15073658 F150 SERIAL F15000530 THRU F15000863 A150 SERIAL A1500001 THRU A1500342 FA150 SERIAL FA1500001 THRU FA1500166		
CONTINUED ON NEXT PAGE				

FIGURE AND INDEX NO.	PART NUMBER	DESCRIPTION	UNITS PER ASSY	USABLE ON CODE
84 -		<p style="text-align: center;">1 2 3 4 5 6 7</p> <p>E---150 SERIAL 15073659 & ON F150 SERIAL F15000864 & ON A150 SERIAL A1500343 & ON FA150 SERIAL FA1500167 & ON</p> <p>F---150 SERIAL 15071129 THRU 15074396 F150 SERIAL F15000530 THRU F15001003 A150 SERIAL A1500001 THRU A1500385 FA150 SERIAL FA1500001 THRU FA1500209</p> <p>G---150 SERIAL 15074397 & ON F150 SERIAL F15001004 & ON A150 SERIAL A1500386 & ON FA150 SERIAL FA1500210 & ON</p> <p>H---150 SERIAL 15071129 THRU 15075781 F150 SERIAL F15000530 THRU F15001143 A150 SERIAL A1500001 THRU A1500523 FA150 SERIAL FA1500001 THRU FA1500261</p> <p>J---150 SERIAL 15075782 & ON F150 SERIAL F15001144 & ON A150 SERIAL A1500524 & ON FA150 SERIAL FA1500262 & ON</p>		

Electrical Equipment (Cont)

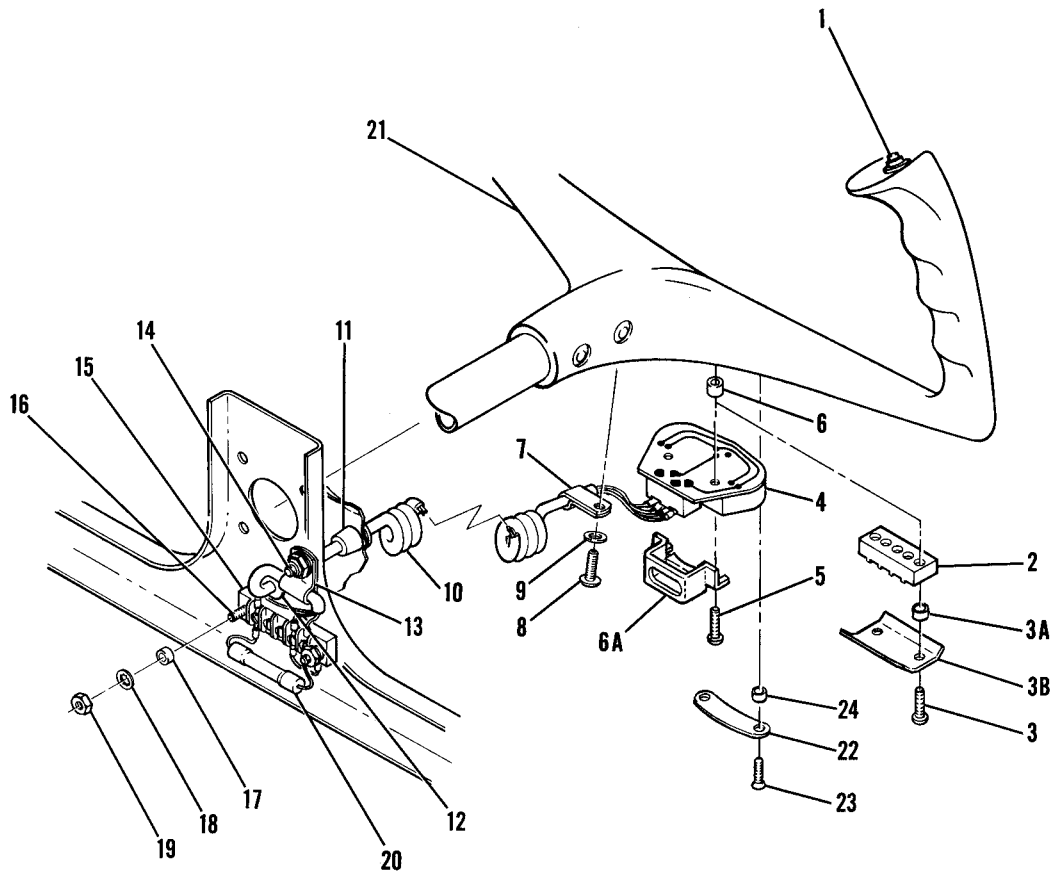


150 SERIAL 15071129 THRU 15072003
 F150 SERIAL F15000530 THRU F15000658
 A150 SERIAL A1500001 THRU A1500226
 FA150 SERIAL FA1500001 THRU FA1500081

Figure 85. Control Wheel Map Light Installation

FIGURE AND INDEX NO.	PART NUMBER	DESCRIPTION	UNITS PER ASSY	USABLE ON CODE
85 -		1 2 3 4 5 6 7		
- 1	1770009-1	CONTROL WHEEL MAP LIGHT INSTALLATION -----	NP	A
		SHIELD -----	1	
		ATTACHING PARTS -----		
- 2	AN515-2R10	SCREW -----	4	
	S1959-1	INSERT -----	4	
		----*----		
- 3	1570142-3	CIRCUIT BOARD ASSEMBLY-MAP LIGHT -----	1	
- 4	8499	COILED CORD BDN -----	1	
		ATTACHING PARTS -----		
- 5	S1115-3	CLAMP -----	2	
- 6	AN515-8R5	SCREW -----	1	
	AN960-8L	WASHER -----	1	
	S1559-2	INSERT -----	1	
- 7	AN515-6R10	SCREW -----	1	
	AN960-6L	WASHER -----	1	
	MS21044N06	NUT -----	1	
		----*----		
- 8	MS5489-33	GROMMET -----	1	
- 9	MS35489-4	GROMMET -----	1	
-10	K-375-125	BUSHING-SNUB HEMA -----	1	
-11	8-171	TERMINAL BLOCK CIN -----	1	
		ATTACHING PARTS -----		
-12	AN507-440-7	SCREW -----	2	
-13	NAS43DD0-6	SPACER -----	2	
-14	AN936A4	WASHER -----	2	
-15	AN340-4	NUT -----	2	
		----*----		
-16	1570141-1	FUSE ASSEMBLY-MAP LIGHT -----	1	
		A---150 SERIAL 15071129 THRU 15072003		
		F150 SERIAL F15000530 THRU F15000658		
		A150 SERIAL A1500001 THRU A1500226		
		FA150 SERIAL FA1500001 THRU FA1500081		

Electrical Equipment (Cont)



150 SERIAL 15072004 & ON
 F150 SERIAL F15000659 & ON
 A150 SERIAL A1500227 & ON
 FA150 SERIAL FA1500082 & ON

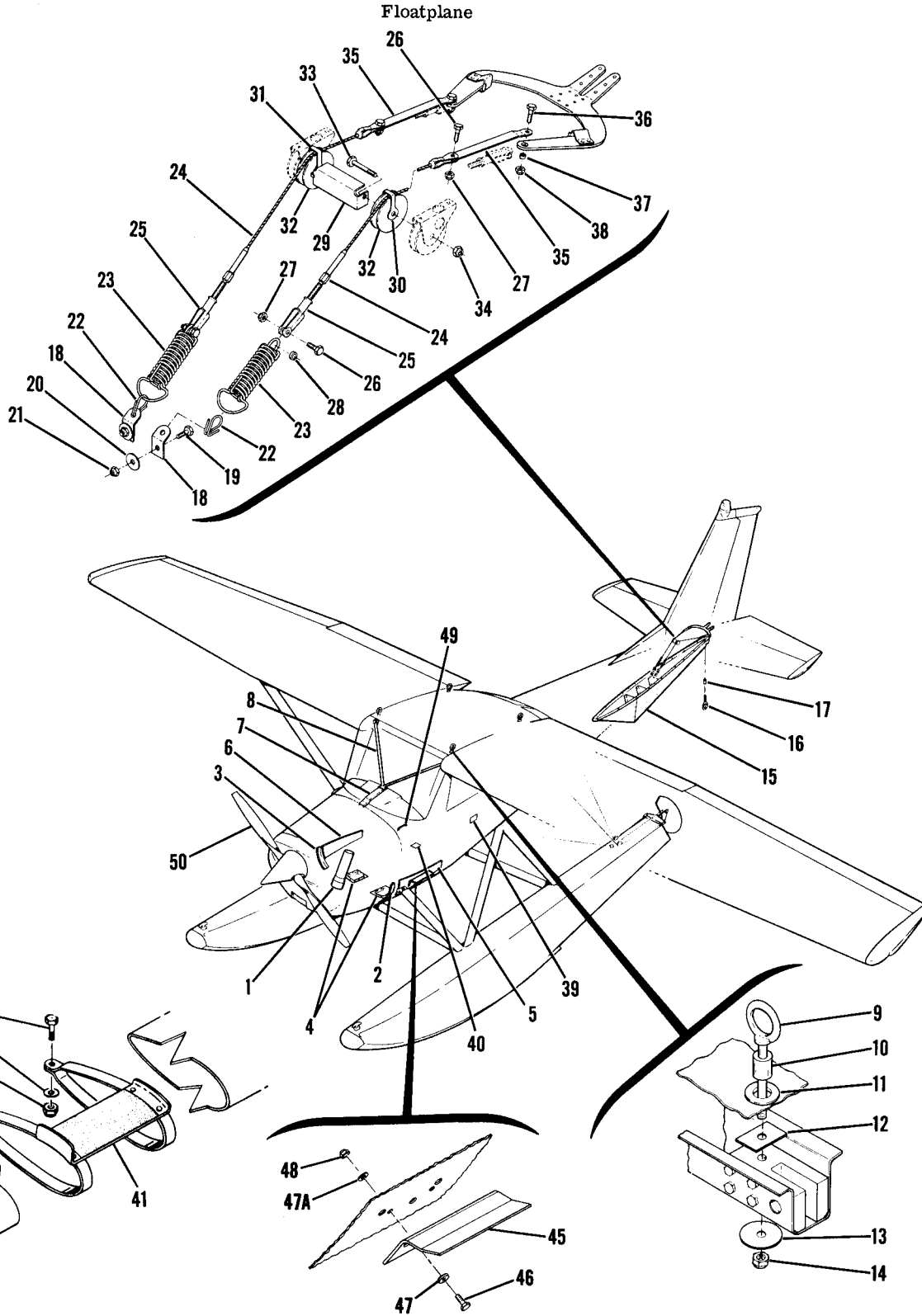
Figure 85A. Control Wheel Map Light & Mike Switch Installation

FIGURE AND INDEX NO.	PART NUMBER	DESCRIPTION	UNITS PER ASSY	USABLE ON CODE
85A-		1 2 3 4 5 6 7		
- 1	S1985-1	CONTROL WHEEL MAP LIGHT & MIKE SWITCH INSTALLATION	NP	A
- 2	351-11-03-001	SWITCH-MIKE	1	
		TERMINAL BLOCK-MIKE SWITCH CIN USED	1	
		WHEN MAPLIGHT IS NOT INSTALLED		
		ATTACHING PARTS		
- 3	AN515-2R6	SCREW	2	B
	AN515-2R10	SCREW	2	C
	S1959-1	INSERT	2	
- 3A	NAS43DD0-9	SPACER	2	C
- 3B	0570096-1	COVER-TERMINAL BLOCK	1	C
		---*---		
- 4	0570088-1	MAP LIGHT ASSY	1	D
	0570088-3	MAP LIGHT ASSY	1	E
		ATTACHING PARTS		
- 5	AN515-2R12	SCREW	AR	
	AN515-2R14	SCREW	AR	
	AN515-2R16	SCREW	AR	
- 6	NAS43DD0-14	SPACER	AR	
	NAS43DD0-15	SPACER	AR	
	NAS43DD0-16	SPACER	AR	
	NAS43DD0-17	SPACER	AR	
	NAS43DD0-18	SPACER	AR	
	NAS43DD0-19	SPACER	AR	
	S1959-1	INSERT	2	
- 6A	0570095-1	COVER-TERMINAL BLOCK	1	C
		---*---		
- 7	S1155-3	CLAMP	1	
		ATTACHING PARTS		
- 8	AN515-8R5	SCREW	1	
- 9	AN960-8L	WASHER	1	
	S1959-2	INSERT	1	
		---*---		
-10	8409	CABLE-RETRACTILE BDN	1	
-11	K375-125	BUSHING-SNUB HEMA	1	
-12	MS35489-33	GROMMET	1	
-13	S1155-3	CLAMP	1	
		ATTACHING PARTS		
-14	AN515-6R10	SCREW	1	
	AN960-6L	WASHER	1	
	MS21044N06	NUT	1	
		---*---		
-15	351-11-05-001	TERMINAL BLOCK CIN	1	
		ATTACHING PARTS		
-16	AN515-4R7	SCREW	2	
-17	NAS43DD0-6	SPACER	2	
-18	AN936A4	WASHER	2	
-19	AN340-4	NUT	2	
		---*---		
-20	1570141-1	FUSE ASSEMBLY-MAP LIGHT	1	
-21	SEE FIG 64	CONTROL WHEEL ASSEMBLY	1	
-22	0570094-1	SHIELD-MAP LIGHT	1	D
		ATTACHING PARTS		
-23	MS51959-5B	SCREW	2	D
-24	0570094-2	SPACER	2	D
		---*---		
<p>A---150 SERIAL 15072004 & ON F150 SERIAL F15000659 & ON A150 SERIAL A1500227 & ON FA150 SERIAL FA1500082 & ON</p> <p>B---150 SERIAL 15072004 THRU 15072618 F150 SERIAL F15000659 THRU F15000738 A150 SERIAL A1500227 THRU A1500276 FA150 SERIAL FA1500082 THRU FA1500121</p> <p>C---150 SERIAL 15072619 & ON F150 SERIAL F15000739 & ON A150 SERIAL A1500277 & ON FA150 SERIAL FA1500122 & ON</p> <p>D---150 SERIAL 15072004 THRU 15073658 F150 SERIAL F15000659 THRU F15000863 A150 SERIAL A1500227 THRU A1500342 FA150 SERIAL FA1500082 THRU FA1500166</p> <p>E---150 SERIAL 15073659 & ON F150 SERIAL F15000864 & ON A150 SERIAL A1500343 & ON FA150 SERIAL FA1500167 & ON</p>				

This page intentionally left blank.



FIGURE AND INDEX NO.	PART NUMBER	DESCRIPTION							UNITS PER ASSY	USABLE ON CODE
		1	2	3	4	5	6	7		
86 -		FLOATPLANE FITTINGS INSTALLATION ED088A-1650 -----							NP	A
- 1	0451116-1	FILLER TUBE-ENGINE MOUNT -----							1	
	TY-42	PLUG-FILLER TUBE CLOV -----							1	
- 2	0452005-1	STIFFENER-COWL LH -----							1	
- 3	0452005-2	STIFFENER-COWL RH -----							1	
- 4	0413352-1	COVER-STEERING ARM -----							2	
		ATTACHING PARTS								
	S102128-8	SCREW -----							12	
	NAS446-4-3	NUT -----							12	
		---*---								
- 5	0413351-1	DOUBLER-FUSELAGE LH -----							1	
- 6	0413351-2	DOUBLER-FUSELAGE RH -----							1	
- 7	0413431-1	STIFFENER-COWL DECK -----							1	
- 8	0413432-12	BRACE ASSY-FLOATPLANE COWL DECK -----							1	
		ATTACHING PARTS								
	AN4-12A	BOLT -----							1	
	MS21042L4	NUT -----							1	
	AN3-31A	BOLT -----							4	
	AN960-10	WASHER -----							4	
	MS21044N3	NUT -----							4	
		---*---								
- 9	0541115-3	EYEBOLT-HOISTING -----							4	
-10	0541115-2	SPACER -----							4	
-11	MS35488-17	GROMMET -----							4	
-12	0541115-4	PLATE -----							4	
-13	AN970-5	WASHER -----							4	
-14	MS21042L5	NUT -----							4	
CONTINUED ON NEXT PAGE										

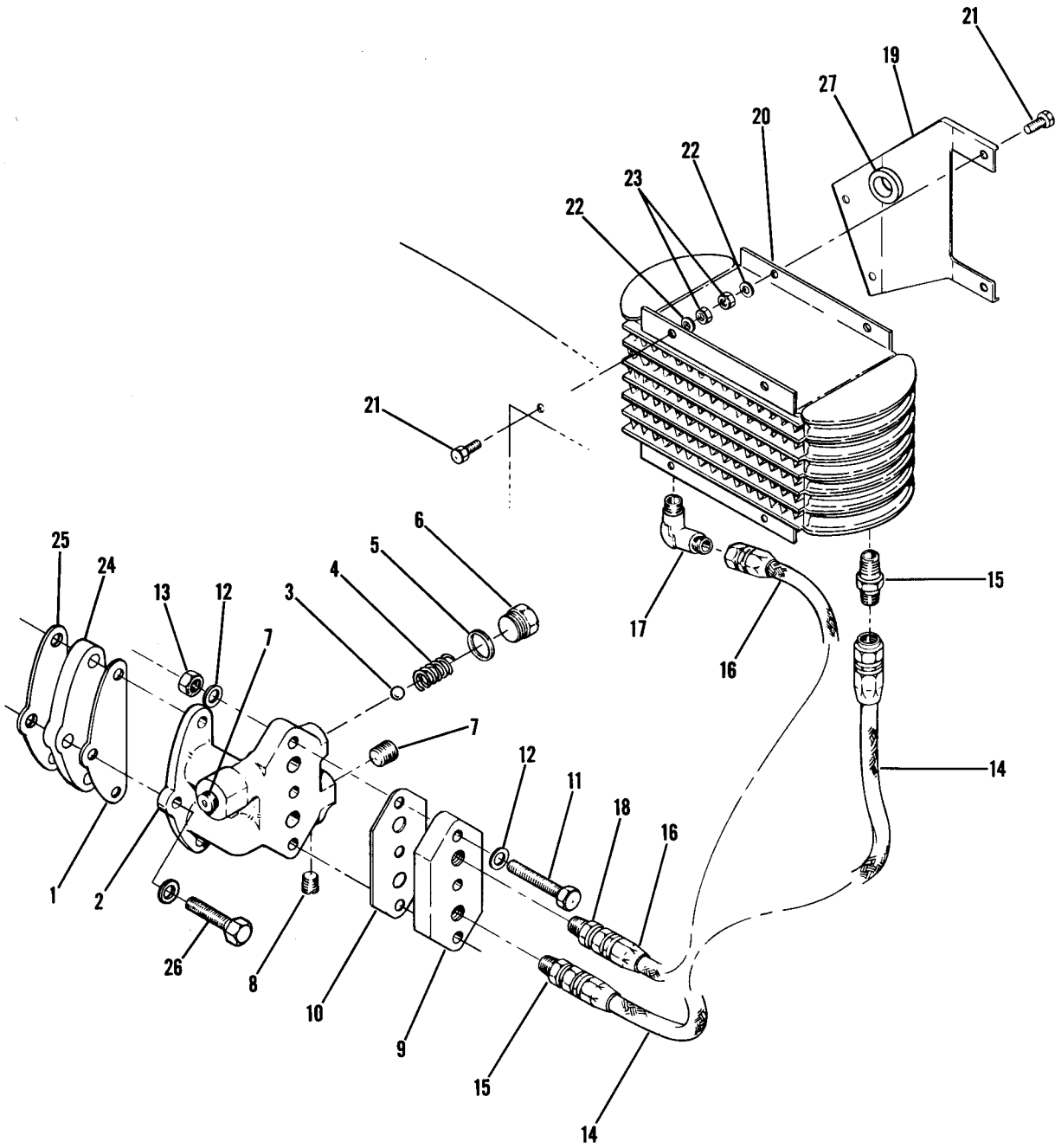


150 SERIAL 15071129 THRU 15072003
F150 SERIAL F15000530 THRU F15000658

Figure 86. Floatplane Fittings Installation

FIGURE AND INDEX NO.	PART NUMBER	DESCRIPTION	UNITS PER ASSY	USABLE ON CODE
		1 2 3 4 5 6 7		
86 -15	0431020-2	FIN ASSEMBLY-VENTRAL ATTACHING PARTS	1	
	AN525-832R10	SCREW	22	
	AN936A8	WASHER	22	
	S1613-08-75	RIVNUT	20	
	NAS698A08	NUTPLATE	2	
		---*---		
-16	0523613-2	EYEBOLT	1	
-17	NAS43HT5-40	SPACER	1	
-18	0460196-2	CLIP-RUDDER CENTRALIZER ATTACHING PARTS	2	
		---*---		
-19	AN3-5A	BOLT	1	
-20	AN970-3	WASHER	1	
-21	MS21044N3	NUT	1	
		---*---		
-22	0742200-6	LINK-RUDDER CENTRALIZER	2	
-23	0460195-1	SPRING ASSEMBLY-RUDDER CENTRALIZER	2	
-24	0400107-151	CABLE ASSEMBLY-RUDDER CENTRALIZER ATTACHING PARTS	2	
		---*---		
-25	AN486-4	CLEVIS	1	
-26	AN3-5A	BOLT	2	
-27	MS21044N3	NUT	2	
-28	NAS43HT3-9	SPACER	1	
		---*---		
-29	0460197-1	STIFFENER-RUDDER PULLEY BRACKET	1	
-30	0460198-1	GUARD-CABLE LH	1	
-31	0460198-2	GUARD-CABLE RH	1	
-32	S378-3	PULLEY	2	
		---*---		
-33	AN4-14A	BOLT	1	
-34	MS21042L4	NUT	1	
		---*---		
-35	0460196-1	LINK-RUDDER CENTRALIZER ATTACHING PARTS	2	
		---*---		
-36	AN3-7A	BOLT	1	
-37	NAS74A3-004	BUSHING	1	
	NAS74A3-004P	BUSHING	1	
-38	MS21044N3	NUT	1	
		---*---		
-39	1205001-11	PLACARD-OPERATIONAL LIMITATIONS	1	
-40	0410218-6	PLATE ASSEMBLY-FUEL INDICATOR	1	
		WEU 0410218-11		
	0410218-7	PLATE ASSEMBLY-FUEL INDICATOR	1	
		WEU 0410218-13		
-41	0500276-1	STEP ASSEMBLY-STRUT LH	1	
	0500276-2	STEP ASSEMBLY-STRUT RH	1	
		---*---		
-42	AN3-3A	BOLT	2	
-43	AN960D10L	WASHER	2	
-44	MS21044N3	NUT	2	
		---*---		
-45	0413399-1	STEP-LH	1	
	0413399-2	STEP-RH	1	
		---*---		
-46	AN3-5A	BOLT	2	
-47	AN960D10L	WASHER	2	
-47A	AN970-3	WASHER	2	
-48	MS21044N3	NUT	2	
		---*---		
-49	1613224-2	HANDLE	2	
		---*---		
		ATTACHING PARTS		
	S1450-4H12-050	WASHER	2	
	AN960-416L	WASHER	2	
	MS21042L4	NUT	2	
		---*---		
-50	SEE FIG 53	PROPELLER & SPINNER INSTALLATION	1	
	SEE FIG 59	BAFFLE ASSEMBLY-VERTICAL REAR	1	
	SEE FIG 87	OIL COOLER INSTALLATION	1	
		---*---		
		NOTE. STAINLESS STEEL CONTROL CABLES ARE REQUIRED ON FLOATPLANE		
		A---150 SERIAL 15071129 THRU 15072003 F150 SERIAL F15000530 THRU F15000658		

Floatplane (Cont)



150 SERIAL 15071129 THRU 15072003
F150 SERIAL F15000530 THRU F15000658

Figure 87. Oil Cooler Installation - Floatplane

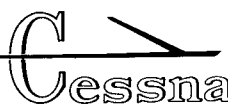
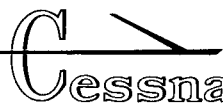


FIGURE AND INDEX NO.	PART NUMBER	DESCRIPTION	UNITS	USABLE
			PER ASSY	ON CODE
		1 2 3 4 5 6 7		
87 -		OIL COOLER INSTALLATION-FLOATPLANE -----	NP	A
- 1	22344	GASKET CM -----	1	
- 2	4763	ADAPTER-OIL COOLER CM -----	1	
- 3	2849	BALL-7/16 IN. STEEL CM -----	1	
- 4	2848	SPRING CM -----	1	
- 5	AN900-10	GASKET CM -----	1	
- 6	2265	PLUG CM -----	1	
- 7	20288	PLUG CM -----	2	
- 8	2024	PLUG CM -----	1	
- 9	0450035-1	ADAPTER-OIL COOLER ----- ATTACHING PARTS	1	
-10	0456003-3	GASKET -----	1	
-11	AN6-16A	BOLT -----	3	
-12	AN960PD616	WASHER -----	6	
-13	MS21042L6	NUT -----	3	
		---*---		
-14	S1236-6-0074	HOSE ASSEMBLY ----- ATTACHING PARTS	1	
-15	AN816-6-6D	NIPPLE -----	2	
		---*---		
-16	S1236-6-0094	HOSE ASSEMBLY ----- ATTACHING PARTS	1	
-17	MS20822-6-6D	ELBOW -----	1	
-18	AN816-6-6D	NIPPLE -----	1	
		---*---		
-19	0450034-2	BRACKET -----	1	
-20	8526250	OIL COOLER HR ----- ATTACHING PARTS	1	
-21	AN3-4A	BOLT -----	6	
-22	AN960PD10L	WASHER -----	6	
-23	MS21045L3	NUT -----	2	
		---*---		
-24	0456003-5	SPACER -----	1	
-25	22344	GASKET CM -----	1	
-26	MS20074-05-12	BOLT -----	3	
-27	MS35489-20	GROMMET -----	1	
		A---150 SERIAL 15071129 THRU 15072003 F150 SERIAL F15000530 THRU F15000658		

This page intentionally left blank.

**NUMERICAL
INDEX**





PART NUMBER	FIGURE AND INDEX NO.
AN115-21	71 -12
AN123883	78 -30
AN155-16S	69 - 4
AN155-32L	66 -40
AN155-32S	64 - 7
AN155-32S	66 -47
AN155-32S	71 -15
AN155-8L	72 -34
AN161-32LL	66 -41
AN165-22RL	71 -13
AN165-22RS	71 -14
AN227-6	46 - 1
AN227-7	46 - 1
AN227-8	46 - 7
AN227-9	46 - 7
AN23-10	65 - 2
AN23-10	66 - 1
AN23-10	71 - 8
AN23-11	33 -60
AN23-11	71 - 9
AN23-11	71 -18
AN23-17	33 -62
AN24-27A	44D-28
AN24-27A	45D-29
AN24-30A	44D-56
AN24-30A	45D-57
AN24-32A	44D-13
AN24-32A	45D-14
AN24-44A	44D-26
AN24-44A	45D-27
AN24-48A	44D-11
AN24-48A	45D-12
AN2552-3A	80 -13
AN3-10A	25 -25
AN3-10A	32 - 6
AN3-10A	61 -27
AN3-10A	64 -14
AN3-10A	64 -49
AN3-10A	66 -11
AN3-10A	67 -27
AN3-10A	70A- 9
AN3-10A	72 -18
AN3-11A	16 -10
AN3-11A	16 -19
AN3-11A	44 -25
AN3-11A	44 -25
AN3-11A	44A-25
AN3-11A	44B-30
AN3-11A	44C-33
AN3-11A	45 -30
AN3-11A	45 -30
AN3-11A	45A-28
AN3-11A	45B-33
AN3-11A	45C-34
AN3-11A	64 - 9
AN3-11A	64 -20
AN3-11A	64 -24
AN3-11A	66 -12
AN3-11A	69 -32
AN3-11A	72 -19
AN3-12A	44B-30
AN3-12A	44B-31
AN3-12A	44C-33
AN3-12A	44C-34
AN3-12A	44D-64
AN3-12A	45B-33
AN3-12A	45B-34
AN3-12A	45C-34
AN3-12A	45C-35
AN3-12A	45D-65
AN3-12A	61 - 6
AN3-13A	44 - 2
AN3-13A	44 -25A
AN3-13A	44A-26

PART NUMBER	FIGURE AND INDEX NO.
AN3-13A	44B-31
AN3-13A	44C-34
AN3-13A	45 - 4
AN3-13A	45 -30A
AN3-13A	45A-29
AN3-13A	45B-34
AN3-13A	45C-35
AN3-16A	61 -22
AN3-16A	66 -18
AN3-17A	66 -19
AN3-17A	69 -11
AN3-20A	29 - 1
AN3-21A	27 - 2
AN3-21A	28 - 3
AN3-22A	28 - 2
AN3-3	82 -16
AN3-3A	29 -32
AN3-3A	33 -45
AN3-3A	51 - 8
AN3-3A	52 - 8
AN3-3A	56 -48
AN3-3A	56 -52
AN3-3A	61 -16
AN3-3A	61 -36
AN3-3A	70A-44
AN3-3A	80 - 6
AN3-3A	80 -37
AN3-3A	86 -42
AN3-31A	86 - 8
AN3-4A	16 -29
AN3-4A	46 -12
AN3-4A	57A-21
AN3-4A	58 -11
AN3-4A	58 -15
AN3-4A	61 -14
AN3-4A	70A-31
AN3-4A	72 -31
AN3-4A	76 -18A
AN3-4A	87 -21
AN3-5	20 -36
AN3-5A	20 - 2
AN3-5A	52 - 2
AN3-5A	56 -40
AN3-5A	62 - 5
AN3-5A	71 -18
AN3-5A	72 -17
AN3-5A	86 -19
AN3-5A	86 -26
AN3-5A	86 -46
AN3-6	20 -40
AN3-6	65 -27
AN3-6	72 -36
AN3-6A	20 - 3
AN3-6A	50A-15
AN3-6A	69 -23
AN3-7	20 - 7
AN3-7	66 -36
AN3-7	66 -42
AN3-7A	15 -11
AN3-7A	16 - 8
AN3-7A	65 -27
AN3-7A	66 -36
AN3-7A	66 -42
AN3-7A	69 - 6
AN3-7A	69 -31
AN3-7A	86 -36
AN3-7A	76 -18
AN3H10A	20 - 8A
AN310-3	33 -55
AN310-3	65 - 3
AN310-3	65 -29
AN310-3	66 - 1
AN310-3	66 -38
AN310-3	66 -43

PART NUMBER	FIGURE AND INDEX NO.
AN310-3	71 -10
AN310-4	33 -39
AN310-4	33 -51
AN310-4	64 -33
AN310-5	32 -20
AN310-5	32 -25
AN315-3R	18 -13
AN315-3R	19 -13
AN315-4R	44 - 7
AN315-4R	44A-10
AN315-4R	44B-10
AN315-4R	44C-15
AN315-4R	44D-18
AN315-4R	45 -10
AN315-4R	45A-11
AN315-4R	45B-11
AN315-4R	45C-16
AN315-4R	45D-19
AN315-4R	65 -25
AN315-640	48B- 8
AN315-8R14	46 - 9
AN316-4	62 - 2
AN316-4R	15 -16
AN316-4R	16 -14
AN316-4R	63 - 2
AN316-6R	32 -10
AN316-6R	32 -14
AN320-3	20 -38
AN320-3	33 -64
AN320-3	71 -20
AN320-7	32 -20
AN320-7	32 -25
AN340-10	82 - 5
AN340-10	82 - 6
AN340-4	69 -49
AN340-4	70A- 8
AN340-4	85 -15
AN340-4	85A-19
AN340-416	82 - 4
AN340-6	49 - 9
AN340B6	47 -36
AN340B6	47 -39
AN340B6	47 -39
AN340B6	47 -40
AN340B6	47 -42
AN340B6	47 -45
AN340B6	47A-39
AN340B6	47A-42
AN340B6	47A-45
AN340B6	47B- 7
AN340B6	47B-15
AN340B6	47B-50
AN340B6	47B-55
AN340B6	47B-61
AN340B6	47C-16
AN340B6	47C-53
AN340B6	47C-58
AN340B6	47C-64
AN340B6	68 - 1
AN340B6	68 -35
AN340B6	73A- 1
AN340B6	73A-20
AN340B6	79 -20
AN340B8	47 - 3
AN340B8	47 -10
AN340B8	47 -24
AN340B8	47 -24A
AN340B8	47 -38
AN340B8	47A-23
AN340B8	47A-24
AN340B8	47A-38
AN340B8	47B-31
AN340B8	47B-32
AN340B8	47B-49

PART NUMBER	FIGURE AND INDEX NO.
AN340B8	47C-34
AN340B8	47C-35
AN340B8	47C-52
AN356-1032	56 -45
AN365-428	34 -13
AN365-428	37 -25
AN365-428	37B-14
AN365-428	37B-25
AN365-524	37 -14
AN365-524A	34C-11
AN4-10A	22 - 1
AN4-10A	22A- 1
AN4-10A	24 -55
AN4-10A	24A-59
AN4-10A	50A-31
AN4-10A	65 - 6
AN4-10A	65 -13
AN4-10A	65 -20
AN4-10A	66 -30
AN4-10A	69 -20
AN4-10A	71 - 2
AN4-10A	71 -23
AN4-10A	71 -35
AN4-11A	64 -44
AN4-11A	71 - 5
AN4-12A	86 - 8
AN4-14A	44 - 2
AN4-14A	44A- 2
AN4-14A	44A- 8
AN4-14A	44B- 3
AN4-14A	44B- 8
AN4-14A	44C- 2
AN4-14A	44C-11
AN4-14A	44D- 2
AN4-14A	45 - 4
AN4-14A	45A- 2
AN4-14A	45A- 9
AN4-14A	45B- 3
AN4-14A	45B- 9
AN4-14A	45C- 3
AN4-14A	45C-12
AN4-14A	45D- 3
AN4-14A	86 -33
AN4-15A	44B- 2
AN4-15A	44C-10
AN4-15A	45B- 2
AN4-15A	45C-11
AN4-15A	69 -43
AN4-21A	25 -14
AN4-22A	34 -11
AN4-24A	34A-11
AN4-25	64 -29
AN4-3A	58 -21
AN4-30	64 -30
AN4-31	33 -35
AN4-31	33 -47
AN4-31A	64 - 1
AN4-36A	37B-12
AN4-4A	21 - 1
AN4-4A	21A- 1
AN4-4A	29 -32C
AN4-4A	50A- 3
AN4-4A	59 -40
AN4-4A	59A-47
AN4-41A	37A-15
AN4-42A	15 - 3
AN4-42A	15 - 8
AN4-43A	66 - 3
AN4-5A	18 - 1
AN4-5A	19 - 1
AN4-5A	50A-24
AN4-56A	69 -36
AN4-6A	21 - 2
AN4-6A	21A- 3

PART NUMBER	FIGURE AND INDEX NO.
AN4-6A	50A-46
AN4-6A	50B-36
AN4-6A	56 -58
AN4-60A	16 - 2
AN4-60A	69 -28
AN4-7A	18 - 2
AN4-7A	19 - 2
AN4-7A	50A-31A
AN4-7A	50B-22
AN4-7A	56 -34
AN4C6A	37A-24
AN4H21A	23 -15
AN415-2	23 -15
AN486-4	86 -25
AN5-11A	50A-27
AN5-12A	36A-20
AN5-12A	36B-20
AN5-20A	56 - 5
AN5-21A	36 -17
AN5-21A	50A-27A
AN5-21A	50B-19
AN5-22A	34C- 9
AN5-22A	36 -17
AN5-22A	56 - 4
AN5-23A	50 -15
AN5-24A	32 - 3
AN5-33A	33 - 4
AN5-35A	37 -12
AN5-37A	32 -27
AN5-43A	33 - 7
AN5-7A	10 - 7
AN5-7A	11 - 6
AN5-7A	50A-15
AN5-7A	50B- 8
AN5-7A	32 -18
AN5-7A	33 -17
AN500A6-8	75 -24
AN500A8-5	51A-10
AN500B8-6	48B- 5
AN505-6R16	48 - 5
AN507-1032-26	48A- 4
AN507-1032-26	36 -24
AN507-1032R10	36A-12
AN507-1032R10	36B-12
AN507-1032R10	38 - 2
AN507-1032R10	38A- 2
AN507-1032R12	69 -48
AN507-440-7	85 -12
AN507-632R14	3 -38
AN507-632R24	47B-13
AN507-632R24	47C-14
AN507-632R5	48 -11
AN507-632R6	48 -13
AN507-632R8	3 -32B
AN507-632R8	3 -39
AN507-640R4	73 -26
AN507-832R7	76A- 2
AN507-832R8	3 -32
AN507-832R8	38 -31
AN507-832R8	38A-32
AN507B632R12	47 -37
AN507B632R12	47A-37
AN507B632R12	47B-48
AN507B632R12	47C-51
AN507B832R14	51A- 2
AN507B832R6	51 - 6
AN507B832R8	50 - 7
AN509-10R14	80 -14
AN509-10R15	38 -10
AN509-10R15	38A-10
AN509-416R12	18 - 7
AN509-416R12	19 - 7
AN509-416R13	25 -12
AN509-416R13	25A- 9
AN510B4R8	51A- 4

PART NUMBER	FIGURE AND INDEX NO.
AN515-10R10	56 -60
AN515-10R10	56 -67
AN515-10R10	76 -39
AN515-10R10	76 -40A
AN515-10R8	63 - 4
AN515-10R8	76 -44
AN515-10R8	80 -27
AN515-2R10	85 - 2
AN515-2R10	85A- 3
AN515-2R10	85A- 5
AN515-2R10	85A- 5
AN515-2R6	85A- 3
AN515-4-9	69 -41B
AN515-4R12	69 -49
AN515-4R12	70A- 6
AN515-4R6	22 -29
AN515-4R6	22A-16
AN515-4R7	85A-16
AN515-6-6	81 -12
AN515-6-6	81A-23
AN515-6R10	47 -16
AN515-6R10	47A-10
AN515-6R10	47A-12
AN515-6R10	47B-34
AN515-6R10	47C-37
AN515-6R10	81 - 5
AN515-6R10	81A- 5
AN515-6R10	85 - 7
AN515-6R10	85A-14
AN515-6R12	41 -14
AN515-6R14	47 -42
AN515-6R14	47 -45
AN515-6R14	47A-42
AN515-6R14	47A-45
AN515-6R4	36A-38
AN515-6R4	36B-38
AN515-6R6	4 -61
AN515-6R6	5 -74
AN515-6R6	6 -69
AN515-6R6	7 -78
AN515-6R6	36A-34
AN515-6R6	36B-34
AN515-6R6	38 -30
AN515-6R6	38 -50
AN515-6R6	38A-31
AN515-6R6	38A-52
AN515-6R6	47 -39
AN515-6R6	47A-39
AN515-6R6	49 -11
AN515-6R8	38 -55
AN515-6R8	38A-59
AN515-6R8	49 - 7
AN515-6R8	80 -54
AN515-6R8	81B- 8
AN515-8R10	70 -12
AN515-8R12	36A-39
AN515-8R12	36B-39
AN515-8R12	73A-37
AN515-8R14	47 - 6
AN515-8R14	53 - 9
AN515-8R18	83A- 9
AN515-8R26	83 - 5
AN515-8R4	32 -39
AN515-8R4	36 -28
AN515-8R4	36 -44
AN515-8R4	36A-27
AN515-8R4	36A-55
AN515-8R4	36B-27
AN515-8R40	56 -17
AN515-8R5	85 - 6
AN515-8R5	85A- 8
AN515-8R6	3 -28
AN515-8R6	22A-16

PART NUMBER	FIGURE AND INDEX NO.
AN515-8R6	36A-36
AN515-8R6	36B-36
AN515-8R6	52A- 3
AN515-8R6	52A- 8
AN515-8R6	55A-29B
AN515-8R6	60A-27
AN515-8R6	67 -33
AN515-8R6	83A- 2
AN515-8R6	83B- 9
AN515-8R6	84 -19A
AN515-8R6	84 -23
AN515-8R7	83 - 8
AN515-8R8	17 -15
AN515-8R8	19A-10
AN515-8R8	24A-67
AN515-8R8	26 -68
AN515-8R8	26A-67
AN515-8R8	29 -21
AN515-8R8	46 -17
AN515-8R8	50 -20
AN515-8R8	60 -50
AN515-8R8	60A-46
AN515-8R8	67 - 6
AN515-8R8	67 -20
AN515-8R8	68 - 4
AN515-8R8	68 -38
AN515-8R8	70 -13
AN515-8R8	70A-34
AN515-8R8	79 -36
AN515-8R8	81A-11
AN515-8R8	83A- 9A
AN515-8R8	84 - 1
AN515-8R8	84 -18
AN515-8R9	84 -21
AN515-832R6	39 - 7
AN515B6R10	47 -25
AN515B6R10	47 -30
AN515B6R10	47A-25
AN515B6R10	47A-30
AN515B6R10	47B-35
AN515B6R10	47B-41
AN515B6R10	47C-44
AN515B6R10	51 -15
AN515B6R12	47 -26
AN515B6R12	47 -40
AN515B6R12	47A-26
AN515B6R12	47A-40
AN515B6R12	47B-37
AN515B6R12	47B-50
AN515B6R12	47C-40
AN515B6R12	47C-50
AN515B6R12	47C-53
AN515B6R12	68 - 1
AN515B6R12	68 -35
AN515B6R12	79 -20
AN515B6R16	47 -32
AN515B6R16	47 -36
AN515B6R16	47A-32
AN515B6R16	47A-36
AN515B6R16	47B-43
AN515B6R16	47B-47
AN515B6R16	47C-46
AN515B6R16	73A- 1
AN515B6R6	47 -28
AN515B6R6	47 -39
AN515B6R6	47A-28
AN515B6R6	47B- 7
AN515B6R6	47B-38
AN515B6R6	47C-41
AN515B6R6	73A-18
AN515B6R6	79 - 2
AN515B6R7	73A-13
AN515B6R8	47 -29
AN515B6R8	47A-29

PART NUMBER	FIGURE AND INDEX NO.
AN515B6R8	47B-39
AN515B6R8	47C-42
AN515B6R8	79 - 1
AN515B6R8	79A- 2
AN515B8R10	47 -24
AN515B8R10	47 -24A
AN515B8R10	47 -38
AN515B8R10	47A-23
AN515B8R10	47A-24
AN515B8R10	47A-38
AN515B8R10	47B-31
AN515B8R10	47B-32
AN515B8R10	47B-49
AN515B8R10	47C-34
AN515B8R10	47C-35
AN515B8R10	47C-52
AN515B8R12	51 - 5
AN515B8R6	47 -23
AN515B8R6	47A-22
AN515B8R6	47B-30
AN515B8R6	47C-33
AN5156R10	47C-38
AN516B6R6	79A- 4
AN520-10R10	12 -11
AN520-10R10	13 -15
AN520-10R10	28 -31
AN520-10R10	32 -34
AN520-10R10	36 -40
AN520-10R10	41 -39
AN520-10R10	56 -33
AN520-10R10	60 -36
AN520-10R10	60A-32
AN520-10R10	79 -22
AN520-10R10	79 -32
AN520-10R10	79A-29
AN520-10R12	18 -28
AN520-10R12	19 -31
AN520-10R12	25 -22
AN520-10R12	25A-17
AN520-10R12	32 -35A
AN520-10R12	36A-53
AN520-10R12	36B-57
AN520-10R12	81B- 5
AN520-10R12	82 -12
AN520-10R14	13 -10
AN520-10R16	36A-53
AN520-10R20	70 -11
AN520-10R20	70A-39
AN520-10R24	69 -50
AN520-10R36	12 - 2
AN520-10R5	36 -33
AN520-10R5	46 - 6
AN520-10R6	13 - 2
AN520-10R6	24 -35
AN520-10R6	26 -33
AN520-10R6	26A-32
AN520-10R6	32 -35
AN520-10R6	54A- 3
AN520-10R6	71 -31
AN520-10R6	80 -48
AN520-10R7	3 -47
AN520-10R7	20 -15
AN520-10R7	23 -12
AN520-10R7	25 -21
AN520-10R7	25 -23
AN520-10R7	25 -24
AN520-10R7	25A-16
AN520-10R7	25A-18
AN520-10R7	25A-19
AN520-10R7	30 - 4
AN520-10R7	30 -11
AN520-10R7	50 -25
AN520-10R7	61 -19
AN520-10R8	3 -20A

PART NUMBER	FIGURE AND INDEX NO.
AN520-10R8	12 -18
AN520-10R8	12 -37
AN520-10R8	13 - 4A
AN520-10R8	27 -29
AN520-10R8	29 - 9
AN520-10R8	36 -34
AN520-10R8	60 -37
AN520-10R8	70A-35
AN520-10R8	76 -29
AN520-10R8	80 -41
AN520-18R8	56 -28
AN520-416R8	80 -34
AN520-8R6	81B-26
AN520-8R7	81B-28
AN520-8R8	70A-37
AN520-8R8	80 -35
AN525-10R10	29 -74
AN525-10R10	36A-46
AN525-10R10	36A-46
AN525-10R10	36B-49
AN525-10R12	29 -74
AN525-10R12	36A-46A
AN525-10R14	51 -20
AN525-10R14	51A-17
AN525-10R16	41 -15
AN525-10R16	50 -34
AN525-10R22	50 -28
AN525-10R6	24 -31
AN525-10R6	24A-33
AN525-10R6	29 -11
AN525-10R6	52A- 5
AN525-10R6	67 -12
AN525-10R9	24 -32
AN525-10R9	24A-34
AN525-10R9	29 -12
AN525-416R9	50A-24
AN525-8R6	76 -23
AN525-8R8	20 -23
AN525-8R8	22A-23
AN525-832-8	28 -39
AN525-832R10	36B-43
AN525-832R10	86 -15
AN525-832R6	38 -44
AN525-832R6	38A-44
AN525-832R7	39 -13
AN525-832R7	53 - 9
AN525-832R7	53A- 7
AN525-832R8	31 - 8
AN530-10R12	12 -28
AN530-10R12	13 -32
AN535-2-3	23 -10
AN565B2H3	48B- 3
AN565B2H3	48C- 3
AN565B428H4	69 -45
AN565B8H3	48 - 4
AN565B8H3	48A- 3
AN565D6H3	63 -11
AN565D8H3	69 -45
AN6-13A	36A-20
AN6-13A	36B-20
AN6-15A	69 -37
AN6-16	57A-14
AN6-16A	36 - 4
AN6-16A	87 -11
AN6-22A	36 -17
AN6-23A	36 -17
AN6-43A	56 - 1
AN6-43A	56 - 2
AN6-44A	56 - 2
AN6-54A	56 - 1
AN6-6A	36 -35
AN6-6A	36A-47
AN6-6A	36B-51
AN6227-5	19A-12

PART NUMBER	FIGURE AND INDEX NO.
AN6227B18	35 - 7
AN6227B26	33 -15
AN6227B32	33 -24
AN6227B4	62 -15
AN6227B5	33 -13
AN6227B6	35 - 3
AN6227B6	35 - 8
AN6227B9	62 -17
AN6227B9	78 -18
AN6230B2	37 -21
AN6230B2	37A-30
AN6230B2	37B-21
AN6230B3	33 -19
AN6230B6	33 -22
AN7-24A	3 - 4
AN7-74	32 -18
AN735-32	82 -11
AN735D18	36A-30
AN735D18	36B-30
AN735D24	36A- 8
AN735D24	36B- 9
AN735D24	56 -52
AN737TW24	76 - 5
AN741-16P	56 -34
AN741T6P	56 -57
AN742D13	18 -27
AN742D13	19 -30
AN742D2	56 -27
AN742D2	56 -54
AN742D2	67 -12
AN742D3	56 -47
AN742D3	56 -60
AN742D3	70 - 9
AN742D3	70 -10
AN742D3	70 -11
AN742D3	70 -12
AN742D3	70 -13
AN742D3	75 -21
AN742D3	76 -43
AN742D34	56 -28
AN742D4	8 -19
AN742D4	9 -19
AN742D4	73 - 6
AN742D5	70A-30
AN742D5	70A-34
AN742D5	70A-35
AN742D5	70A-37
AN742D5	70A-38
AN742D6	67 -33
AN742D8	74 - 4
AN8-17A	17 - 2
AN8-24A	3 - 1
AN8-25A	17 - 3
AN815-3D	75 -11
AN815-6D	76 -11
AN815-6D	76 -33
AN816-2B	78 - 1
AN816-2D	76 -65
AN816-4D	68 -21
AN816-4D	79 -13
AN816-4D	79A-16
AN816-6-6D	56 -12
AN816-6-6D	57A-17
AN816-6-6D	76 -35A
AN816-6-6D	76 -50
AN816-6-6D	79 -43
AN816-6-6D	79A-38
AN816-6-6D	87 -15
AN816-6-6D	87 -18
AN816-6D	56 -12
AN816-6D	79 -15
AN8160-6D	79A-18
AN824-6D	76 -14
AN832-2D	26 -60

PART NUMBER	FIGURE AND INDEX NO.
AN832-2D	26A-59
AN832-2D	78 - 6
AN833-2D	26 -61
AN833-2D	78 - 5
AN833-3D	36 -12
AN833-3D	36A- 6
AN833-3D	36B- 7
AN833-3D	75 -14
AN833-6D	76 -16A
AN834-6D	76 -27
AN900-10	57A- 7
AN900-10	87 - 5
AN901-5A	33 -18
AN910-2D	76 -25
AN911-1D	73 -20
AN912-2D	56 -12
AN912-2D	76 -51
AN912-4D	79 -45
AN912-4D	79A-40
AN912-5D	76 -51
AN914-1D	36 -15
AN914-1D	75 - 4
AN916-1D	73 -19
AN916-1D	75 - 4A
AN919-1D	78 -13
AN924-10D	79 -39
AN924-10D	79A-33
AN924-2D	26 -60
AN924-2D	26 -61
AN924-2D	26A-59
AN924-2D	78 - 3
AN924-2D	78 - 7
AN924-3D	26 -61
AN924-3D	26A-60
AN924-3D	75 -15
AN924-3D	78 - 3A
AN924-6D	12 -24
AN924-6D	13 -24
AN924-6D	76 -16B
AN925-6	76 -31
AN936A10	56 -68
AN936A10	76 -41
AN936A10	82 - 5
AN936A10	82 -13
AN936A10	82 -17
AN936A4	69 -41B
AN936A4	85 -14
AN936A4	85A-18
AN936A416	51A-12
AN936A6	47 -39
AN936A6	47 -39
AN936A6	47 -40
AN936A6	47 -42
AN936A6	47 -45
AN936A6	47A-39
AN936A6	47A-42
AN936A6	47A-45
AN936A6	47B- 7
AN936A6	47B-14
AN936A6	47B-50
AN936A6	47B-54
AN936A6	47B-60
AN936A6	47C-15
AN936A6	47C-53
AN936A6	47C-57
AN936A6	47C-63
AN936A6	73A-19
AN936A6	79 -20
AN936A6B	47 -36
AN936A6B	47A-36
AN936A6B	47B-47
AN936A6B	47C-50
AN936A6B	68 - 1
AN936A6B	68 -35

PART NUMBER	FIGURE AND INDEX NO.
AN936A6B	73A- 1
AN936A8	32 -39
AN936A8	36 -28
AN936A8	36 -44
AN936A8	36A-28
AN936A8	36A-55
AN936A8	36B-28
AN936A8	47 - 4
AN936A8	47 -11
AN936A8	47 -24
AN936A8	47 -24A
AN936A8	47 -38
AN936A8	47A- 5
AN936A8	47A-23
AN936A8	47A-24
AN936A8	47A-38
AN936A8	47B-19
AN936A8	47B-31
AN936A8	47B-32
AN936A8	47B-49
AN936A8	47C-21
AN936A8	47C-34
AN936A8	47C-35
AN936A8	47C-52
AN936A8	60 -51
AN936A8	60A-47
AN936A8	86 -15
AN936A8	76 -22
AN936B10	69 -48
AN936B6	48B- 6
AN936B6	49 - 8
AN936B616	36 -36
AN936B616	36A-48
AN936B8	39 - 7
AN942D34	60 -37
AN944-101A	33 -33
AN944-101A	33 -42
AN960-10	15 -12
AN960-10	16 -11
AN960-10	20 - 4
AN960-10	20 - 8
AN960-10	25 -25
AN960-10	32 -35A
AN960-10	32 -35A
AN960-10	36 -40
AN960-10	36A-53
AN960-10	36B-57
AN960-10	42 -19
AN960-10	42 -21
AN960-10	42A-21
AN960-10	42A-23
AN960-10	44 - 3
AN960-10	44 -25B
AN960-10	44B-31A
AN960-10	44C-34A
AN960-10	45 - 5
AN960-10	45 -30B
AN960-10	45B-34A
AN960-10	45C-35A
AN960-10	50A-16
AN960-10	56 -25
AN960-10	60 - 3
AN960-10	60A- 3
AN960-10	60A- 9
AN960-10	61 - 6
AN960-10	63 - 5
AN960-10	64 -22
AN960-10	64 -26
AN960-10	66 -23
AN960-10	67 -29
AN960-10	69 - 8
AN960-10	69 -16
AN960-10	69 -33
AN960-10	69 -50

PART NUMBER	FIGURE AND INDEX NO.
AN960-10	69 -53
AN960-10	70A-16
AN960-10	70A-28
AN960-10	70A-32
AN960-10	70A-35
AN960-10	70A-41
AN960-10	72 -20
AN960-10	72 -32
AN960-10	81B-34
AN960-10	83A-10A
AN960-10	83B-11
AN960-10	86 - 8
AN960-10L	25A- 5B
AN960-10L	27 - 2
AN960-10L	28 - 3
AN960-10L	29 - 1
AN960-10L	29 -74
AN960-10L	33 -54
AN960-10L	33 -61
AN960-10L	38 -35
AN960-10L	38 -35B
AN960-10L	38A-37
AN960-10L	44D-47
AN960-10L	45D-48
AN960-10L	50 -30
AN960-10L	51 -21
AN960-10L	51A-18
AN960-10L	56 -26
AN960-10L	56 -33
AN960-10L	60 - 4
AN960-10L	60 - 9
AN960-10L	60 -36
AN960-10L	60A- 4
AN960-10L	60A-32
AN960-10L	66 -31
AN960-10L	69 -52
AN960-10L	70A-27
AN960-10L	70A-45
AN960-10L	70A-48
AN960-10L	72 -21
AN960-10L	76 -19A
AN960-10L	80 - 7
AN960-10L	80 -28
AN960-10L	80 -42
AN960-10L	80 -48
AN960-10L	83A-10A
AN960-10L	83B-12
AN960-4	38 -42
AN960-4	38A-42
AN960-4	50A-33
AN960-4L	38 -13
AN960-4L	38 -40
AN960-4L	38A-13
AN960-4L	44B- 5
AN960-4L	44C- 3
AN960-4L	44D-35
AN960-4L	44D-41
AN960-4L	44D-51
AN960-4L	45A- 6
AN960-4L	45B- 6
AN960-4L	45C- 5
AN960-4L	45D- 5
AN960-4L	45D-36
AN960-4L	45D-42
AN960-4L	45D-52
AN960-4L	60A-31
AN960-416	25 -12
AN960-416	25 -14
AN960-416	29 -32D
AN960-416	34 -12
AN960-416	37B-13
AN960-416	37B-23
AN960-416	42 -19
AN960-416	42A-21

PART NUMBER	FIGURE AND INDEX NO.
AN960-416	44 - 3
AN960-416	44A- 8
AN960-416	44B- 8
AN960-416	44C- 2
AN960-416	44D- 2
AN960-416	44D-15
AN960-416	44D-30
AN960-416	44D-58
AN960-416	45 - 5
AN960-416	45A- 9
AN960-416	45B- 9
AN960-416	45C- 3
AN960-416	45D- 3
AN960-416	45D-16
AN960-416	45D-31
AN960-416	45D-59
AN960-416	47A-20
AN960-416	47B-28
AN960-416	47C-31
AN960-416	50A-19
AN960-416	50B-12
AN960-416	56 -62
AN960-416	64 -46
AN960-416	65 -21
AN960-416	66 - 5
AN960-416	71 - 6
AN960-416	76 -47
AN960-416L	18 - 3
AN960-416L	19 - 3
AN960-416L	21 - 2A
AN960-416L	21A- 3
AN960-416L	22 - 3
AN960-416L	22A- 3
AN960-416L	33 -38
AN960-416L	33 -50
AN960-416L	34A-12
AN960-416L	37 -23
AN960-416L	37 -26
AN960-416L	37A-16
AN960-416L	37A-20
AN960-416L	37A-25
AN960-416L	37B-23
AN960-416L	37B-26
AN960-416L	43 -16
AN960-416L	44A- 3
AN960-416L	44B- 3A
AN960-416L	44C-12
AN960-416L	44D-62
AN960-416L	45A- 3
AN960-416L	45B- 2A
AN960-416L	45C-13
AN960-416L	45D-63
AN960-416L	50A-32
AN960-416L	50A-37
AN960-416L	50B-23
AN960-416L	50B-27
AN960-416L	52 -11
AN960-416L	56 -51
AN960-416L	64 - 3
AN960-416L	66 - 4
AN960-416L	72 - 3
AN960-416L	86 -49
AN960-516	10 - 9
AN960-516	11 - 8
AN960-516	17 -11
AN960-516	26 -61
AN960-516	32 - 4
AN960-516	34B-13
AN960-516	34C-10
AN960-516	37 -13
AN960-516	44D-22A
AN960-516	45D-23A
AN960-516	56 - 5
AN960-516	78 - 4

PART NUMBER	FIGURE AND INDEX NO.
AN960-516	82 - 3
AN960-516L	32 -28A
AN960-516L	36 -18
AN960-516L	36A- 2
AN960-516L	36A-16
AN960-516L	36A-21
AN960-516L	36B- 2
AN960-516L	36B-16
AN960-516L	36B-21
AN960-516L	50A-16
AN960-516L	50B- 9
AN960-6L	47 -16
AN960-6L	47A-10
AN960-6L	47A-12
AN960-6L	47B-34
AN960-6L	47C-37
AN960-6L	60A-31
AN960-6L	80 -51
AN960-6L	85 - 7
AN960-6L	85A-14
AN960-616	26 -61
AN960-616	26A-60
AN960-616	36A-49A
AN960-616	36B-53
AN960-616	47 -52
AN960-616	47A-52
AN960-616	50A- 9
AN960-616	50B- 4
AN960-616	56 - 2
AN960-616	68 -15
AN960-616	68 -49
AN960-616	69 -38
AN960-616	78 - 4A
AN960-616L	36 -18
AN960-616L	36 -37
AN960-616L	36A-21
AN960-616L	36A-49
AN960-616L	36B-21
AN960-616L	36B-52
AN960-616L	53A- 3
AN960-716	3 - 6
AN960-716L	32 -24A
AN960-716L	75 -16
AN960-8	21 -19
AN960-8	21A-24
AN960-8	24 -37A
AN960-8	24 -63
AN960-8	24A-37
AN960-8	24A-41
AN960-8	24A-67
AN960-8	29 -22
AN960-8	46 -18
AN960-8	70A-34
AN960-8	70A-37
AN960-8L	28 -39
AN960-8L	31 - 8
AN960-8L	81A-12
AN960-8L	83A- 3
AN960-8L	85 - 6
AN960-8L	85A- 9
AN960-816	3 - 2
AN960-816	17 - 5
AN960-816	64 -11
AN960-816	64 -16
AN960C4	38 -15
AN960C4	38A-15
AN960C516	32 -19
AN960C716	32 -19
AN960D10	51A- 8
AN960D10	56 -44
AN960D10L	12 -18
AN960D10L	52 - 3
AN960D10L	52 - 9
AN960D10L	54A- 4

PART NUMBER	FIGURE AND INDEX NO.
AN960D10L	72 -12
AN960D10L	86 -43
AN960D10L	86 -47
AN960D416	16 - 5
AN960D416	69 -28
AN960D516	32 -24
AN960D8	51 - 5
AN960D8	53 - 7
AN960D8L	81 - 5A
AN960PD10	79 -23
AN960PD10L	50 -30
AN960PD10L	50 -36
AN960PD10L	57A-22
AN960PD10L	79 -33
AN960PD10L	79A-30
AN960PD10L	87 -22
AN960PD2	22 -27
AN960PD2	22A-14
AN960PD516L	57A- 5
AN960PD616	87 -12
AN960PD616L	57A-15
AN960XCL4	80 -24C
AN970-3	42 -19
AN970-3	42 -19A
AN970-3	42A-20
AN970-3	52 - 3A
AN970-3	56 -43
AN970-3	66 -22
AN970-3	86 -20
AN970-3	86 -47A
AN970-4	42 -19A
AN970-4	42A-20
AN970-4	50A-21
AN970-4	50B-14
AN970-5	32 -24B
AN970-5	67 - 8
AN970-5	67 -22
AN970-5	86 -13
AN970-7	32 -24B
A061A	62 -22
A064A	62 - 9
A085A	62 -12
A087A	62 -21
A088A	62 - 3
A089A	62 -20
A113A	62 -18
A1257A	3 -33
A126A	62 - 6
A1280-2	3 -35
A1280-3	3 -35
A147A	62 - 4
A148A	62 - 8
A163B-1	37A-16C
A1635-73	34B-12
A1635-73	37A-15A
A1635-79	37A-15A
A1636-23	34A- 3
A1636-23	34B-11
A1636-23	34C- 3
A1636-24	37A-13
A1638-1	37A-16B
A1638-13	53 - 3
A1638-14	53A- 3
A1638-29	34A-12
A1638-30	37A-16A
A1663-022-1	38 -23
A1663-022-1	38A-23
A1793-6Z3	26 -19
A1793-6Z3	26A-18
A2109-3	22 -31
A2109-3	22A-19
A223A	62 -16
A2513-51	53A- 2
A2513-52	53A- 2

PART NUMBER	FIGURE AND INDEX NO.
A2513-66	34A-11
A2513-8	53 - 2
A279A	62 - 1
A2973-2	53A- 5
A30010	37A- 8
A30011	37A-11
A30013	37A-12
A30014	37A-10
A30015	37A- 9
A30021	37A-29
A30023	37A-19
A30030	37A-31
A30040	37A-33
A30047	34A- 5
A30047	34B-10
A30047	34C- 5
A30047	34A- 4
A30048	34B- 9
A30048	34C- 4
A30048	34C-10
A30078-1	34B- 4
A30078-1	34C- 8
A30078-1	34C- 6
A30078-2	34A- 6
A30078-2	34B- 8
A30078-2	34C- 6
A30079-1	37A- 4
A30079-2	37A- 7
A30085	37A-32
A30087	37A-23
A30087	37A-27
A3047A6-92	76 - 3
A4513-1	22 -30
A4513-1	22A-18
A6195-6Z1	38 -47
A7512-12	3 -34
B30007	37A-14
B30024	37A-26
B30026	37A-23
B30026	37A-27
B30027	37A-22
B30031	37A-28
B30076	37A- 5
B30077	34A- 8
B30077	34B- 5
B30195	37A-14
B30440	37A-14
B30594	37A-28
B4304	53A- 4
B4351	53A- 4
B4416D	33 -33
B610	15 - 7
B610	16 - 7
B610	64 -39
B610	69 -29
B610	69 -36
CA-2	48 - 5
CA-2	48A- 4
CA-2	48B- 4
CA-2	80 -53
CM2692-12R3S	81B-13
CM2692-20-1S	16 -39
CM2692-28-1B	5 -72
CM2692-28-1B	7 -76
CM2692-28-1S	4 -58
CM2692-28-1S	6 -67
CM2692-28-2H	47 -50
CM2692-28-2H	47A-50
CM2692-32-1S	29 -76
CP23/4	50 -19
CR163-4-8	15 -27
CR763-4	22A-13
C1C2	1 - 1
C109	32 -11
C156001-0104	3 -24A

PART NUMBER	FIGURE AND INDEX NO.
C156001-0104	12 -35
C156001-0104	13 -39
C156003-0101	12 -40
C156003-0101	12 -40
C156003-0101	13 -42
C156003-0101	13 -42
C161001-0203	53 - 1
C161001-0401	53A- 1
C161001-0402	53A- 1
C161001-0403	53A- 1
C161001-0404	53A- 1
C161001-0405	53A- 1
C163001-0103	37 -
C163001-0104	37B-
C163002-0101	37A- 2
C163002-0201	34A- 2
C163003-0101	37A- 2
C163003-0102	37A- 2
C163003-0201	34A- 2
C163003-0401	34B- 2
C163004-0104	37A- 2
C163005-0201	34C- 2
C163020-0101	62 -
C163030-0107	37 -14
C163030-0113	37B-14
C163032-0103	37A-17
C163032-0107	37A-17
C17312-3	84 - 4
C17313	84 - 7
C17325	84 - 2
C17326	84 - 5
C17330	84 - 3
C17331-3	84 - 6
C17331-6	84 - 6
C253001-0101	38 -58
C253001-0101	38A-49
C262001-0101	37 -30
C262001-0101	37A- 1
C262001-0101	37B-30
C262001-0102	34 - 1
C262001-0102	34A- 1
C262001-0201	37 -30
C262001-0201	37A- 1
C262001-0201	37B-30
C262001-0202	34 - 1
C262001-0202	34A- 1
C262003-0101	37 -30
C262003-0101	37A- 1
C262003-0101	37B-30
C262003-0102	34 - 1
C262003-0102	34A- 1
C262003-0102	34B- 1
C262003-0102	34C- 1
C262004-0101	34 - 1
C262004-0101	34A- 1
C262004-0102	37A- 1
C262004-0102	37B-30
C262023-0101	34 - 2
C262023-0101	34A- 2
C262023-0101	34B- 2
C262023-0102	34C- 2
C262023-0102	37 -31
C262023-0102	37A- 2
C262023-0102	37B-31
C291502-0103	47 -55
C291502-0103	47A-55
C291502-0103	47B-72
C291502-0103	47C-75
C292501-0102	48 - 3
C292501-0104	48 - 3
C292501-0104	48A- 2
C292501-0104	48B- 2
C292501-0104	48C- 2
C294501-0101	79 -21



PART NUMBER	FIGURE AND INDEX NO.
C294501-0103	79 -25
C294502-0101	79 -27
C294502-0101	79A-23
C294505-0101	78 -21
C294505-0102	78 -22
C294510-0201	57 - 3
C299505-0202S	47 -53
C299505-0202S	47A-53
C299505-0202S	47B-70
C299505-0202S	56 -37
C30019	37A-18
C30057	34A- 9
C301001-0211	69 -41B
C301002-0103	69 -40
C301002-0301	69 -36
C301002-0308	69 -41A
C30163	37A- 6C
C30163-1	37A- 6B
C30163-4	37A- 6C
C30163-6	37A- 6B
C30172	34A- 7B
C30172-1	34A- 7A
C30481	34B- 3
C30484	34B- 6
C30484-1	34B- 7
C30598	34C- 7
C4189	72 -14
C4189	72 -15
C421001-0101	50 -23
C421001-0102	50 -24
C431002-0102	79 -41
C431002-0102	79A-36
C431003-0103	79 -41
C431003-0103	79A-36
C431003-0301	79 -41
C431003-0301	79A-36
C4513	53A- 4
C4593	53A- 4
C482001-0202	79 -37A
C482001-0202	79 -40A
C482001-0202	79A-35
C482001-0301	68 -28
C482001-0301	79 -35
C482001-0401	79A-32
C482001-0401	79 -38
C592001-0201	52A- 1
C593001-0101	47 -70
C593001-0101	47A-58
C593001-0101	47B-65
C593001-0101	47C-68
C594501-0201	84 -17
C594501-0203	84 -17
C594502-0101	84 -17A
C6AB10A730A	80 -34
C611001-0101	80 -34
C611001-0102	57 -12
C611001-0102	80 -34
C611001-0201	57 -12
C611001-0201	80 -34
C611501-0202	82 - 1
C611501-0204	57 -10
C611501-0204	82 - 1
C621001-0103	84 -
C621001-0106	84 -
C622001-0102	22 -28
C622001-0102	22A-15
C622001-0104	22 -32
C622001-0104	22A-17
C622001-0201	3 -32A
C622001-0202	3 -31
C622001-0202	3 -31
C622003-0101	3 -41
C622003-0103	2 -40
C622003-0104	3 -40

PART NUMBER	FIGURE AND INDEX NO.
C622003-0105	2 -40
C622003-0105	2A-28
C622003-0105	2B-31
C622003-0105	2C-31
C622003-0105	2D-30
C622004-0103	80 -40
C622006-0102	3 -41
C622006-0103	3 -40
C622006-0105	3 -40A
C622007-0101	3 -47
C660501-0101	51 - 1
C660501-0101	51A- 1
C661001-0501	47 -28
C661001-0501	79 - 2
C661001-0502	47 -28
C661001-0502	79 - 2
C661001-0503	47 -28
C661001-0503	79 - 2
C661001-0504	47 -28
C661001-0504	79 - 2
C661001-0505	47 -28
C661001-0505	79 - 2
C661002-0301	79 - 1
C661002-0301	79 -29
C661002-0501	79 - 1
C661002-0501	47 -29
C661002-0503	79 - 1
C661002-0503	47 -29
C661002-0504	79 - 1
C661002-0504	47 -29
C661002-0505	79 - 1
C661002-0505	47 -29
C661002-0506	79 - 1
C661002-0506	47 -29
C661003-0501	47 -36
C661003-0501	47A-36
C661003-0504	47 -36
C661003-0504	47A-36
C661003-0504	47B-47
C661003-0504	47C-50
C661003-0601	47 -36
C661003-0601	47A-36
C661003-0601	68 - 1
C661003-0601	68 -35
C661010-0101	47 -31
C661010-0105	47 -31
C661010-1004	47 -30
C661011-0105	47 -25
C661011-0106	47 -25
C661012-0101	47 -25
C661012-0101	47A-25
C661015-0101	47 -24
C661015-0102	47 -24
C661015-0102	47A-23
C661015-0102	47B-31
C661015-0102	47C-34
C661025-0102	47A-25
C661025-0102	47B-35
C661025-0102	73A- 1
C661060-0101	47 -30
C661060-0101	47A-30
C661060-0102	47 -30
C661060-0102	47A-30
C661061-0101	47 -31
C661061-0101	47A-31
C661061-0102	47 -31
C661061-0102	47A-31
C661064-0101	47B-41
C661064-0101	47C-44
C661064-0201	47B-41
C661064-0201	47C-44
C661065-0101	47B-42
C661065-0101	47C-45
C661065-0102	47B-42

PART NUMBER	FIGURE AND INDEX NO.
C661065-0102	47C-45
C661071-0101	47 -25
C661071-0101	47A-25
C661071-0101	47B-35
C661071-0101	47C-38
C661071-0102	47 -25
C661071-0102	47A-25
C661071-0102	47B-35
C661071-0102	47C-38
C661071-0102	73A- 1
C661075-0101	79 - 1
C661075-0101	79A- 1
C661075-0101	47 -29
C661075-0101	47A-29
C661075-0101	47B-39
C661075-0101	47C-42
C661075-0103	79 - 1
C661075-0103	79A- 1
C661075-0103	47 -29
C661075-0103	47A-29
C661075-0103	47B-39
C661075-0103	47C-42
C661075-0104	79 - 1
C661075-0104	79A- 1
C661075-0104	47 -29
C661075-0104	47A-29
C661075-0104	47B-39
C661075-0104	47C-42
C661075-0105	79 - 1
C661075-0105	79A- 1
C661075-0105	47B-39
C661075-0105	47C-42
C661075-0106	79 - 1
C661075-0106	79A- 1
C661075-0106	47 -29
C661075-0106	47A-29
C661075-0106	47B-39
C661075-0106	47C-42
C661076-0101	47 -28
C661076-0101	47A-28
C661076-0101	47B-38
C661076-0101	47C-41
C661076-0101	79 - 2
C661076-0101	79A- 3
C661076-0102	47 -28
C661076-0102	47A-28
C661076-0102	47B-38
C661076-0102	47C-41
C661076-0102	79 - 2
C661076-0102	79A- 3
C661076-0103	47 -28
C661076-0103	47A-28
C661076-0103	47B-38
C661076-0103	47C-41
C661076-0103	79 - 2
C661076-0103	79A- 3
C661076-0105	47 -28
C661076-0105	47A-28
C661076-0105	47B-38
C661076-0105	47C-41
C661076-0105	79 - 2
C661076-0105	79A- 3
C661080-0101	47 -37
C661080-0101	47A-37
C661080-0101	47B-48
C661080-0101	47C-51
C663-832-1	38 -57
C663-832-1	38A-61
C664501-0101	47 -39
C664501-0101	47A-39
C664501-0103	47 -39
C664501-0103	47A-39

PART NUMBER	FIGURE AND INDEX NO.
C664502-G101	47B-5C
C664502-0101	47C-53
C664508-0101	47-26
C664508-0101	47A-26
C664508-0101	47B-37
C664508-0101	47C-40
C668020-0101	47-38
C668020-0101	47A-38
C668020-0113	47A-38
C668020-0113	47B-49
C668020-0113	47C-52
C668507-0101	50-2
C668507-0102	50-2
C668509-0101	47B-40
C668509-0101	47C-43
C668509-0101	79A-22
C668540-0101	47-40
C668540-0101	47A-40
C668540-0101	79-19
C669504-0102	47-42
C669504-0104	47-42
C669504-0104	47A-42
C669505-0102	47-45
C669505-0103	47-45
C669505-0103	47A-45
C669511-0101	47B-52
C669511-0101	47C-55
C669512-0103	47C-61
C669512-0103	47B-58
C733001-0101	50-39
C733001-0103	50-42
C744001-0101	73A-36
C9876-8-1	13-13
D30058	34A-7
D30062-1	37A-6
D30065	37A-3
D30129	37A-6A
D30210	37A-6E
D30222-6	37A-6D
D30256	37A-3
D366	51A-6
D4023X.375	51A-7
EC1239AB	1-10
EC1675A-B	1-14A
EC2216B/A	1-14D
EC776	1-12
EC880	1-2
EQ5820	57-10
EQ5820	82-19
H323-3-1-1	42-6A
H323-3-1-1	42A-6
H559-3-1	42-6A
H559-3-1	42A-6
K-375-125	85-10
KM610-64	32-31B
KM610-64	36A-53B
KM610-64	36B-59
K375-125	85A-11
LN-1032-X	80-33
LOCTITE 5381	1-14C
LOCTITE 8721	1-14E
L4858-1	47-50
L4858-1	47A-50
L4858-1	47B-68
L4858-1	47C-70
MIL-P-8585	1-14
MS124663	78-21
MS15002-3	33-58
MS15584-2	81-10
MS15584-2	81A-21
MS15584-2	81B-24
MS16562-193	81B-33
MS16624-1081	19A-5
MS16624-1206	36A-5

PART NUMBER	FIGURE AND INDEX NO.
MS16624-1206	36B-6
MS16624-1275	33-32
MS16625-118	35-2
MS20074-03-04	56-66
MS20074-03-04	76-40
MS20074-05-12	57A-4
MS20074-05-12	87-26
MS20220-2	66-10
MS20220-2	66-17
MS20220-2	69-14
MS20230-A2	8-5
MS20230-A2	8-6
MS20230-A2	8-8
MS20230-A2	8-10
MS20230-A2	8-27
MS20230-A2	8-28
MS20230-A2	8-29
MS20230-A2	8-30
MS20230-A2	8-31
MS20230-A2	8-36
MS20230-A2	8-37
MS20230A2	9-5
MS20230A2	9-6
MS20230A2	9-8
MS20230A2	9-10
MS20230A2	9-27
MS20230A2	9-33
MS20230A2	9-40
MS20253-2-44.13	20-26
MS20253-2-7.00	55-18
MS20253-2-7.00	55A-20
MS20253P1-164	60-31
MS20364-1032C	76-20
MS20364-1032C	82-18
MS20364-624C	32-7
MS20365-1032	26-33
MS20365-1032	26A-32
MS20365-1032C	60-5
MS20365-1032C	60A-5
MS20365-1032C	61-19
MS20365-1032C	61-37
MS20365-1032C	72-38
MS20365-1032C	80-8
MS20365-428A	34A-13
MS20365-524	36A-3
MS20365-524	36A-17
MS20365-524	36B-3
MS20365-524	36B-17
MS20365-524C	56-5
MS20365-720C	3-7
MS20365-820C	3-3
MS20365-820C	17-6
MS20365B832C	50-9
MS20365F1032C	16-30
MS20392-1-7	60A-31
MS20392-1C11	44-20
MS20392-1C11	44A-19
MS20392-1C11	44B-19
MS20392-1C11	44C-22
MS20392-1C11	44D-37
MS20392-1C11	44D-49
MS20392-1C11	45-25
MS20392-1C11	45A-22
MS20392-1C11	45B-22
MS20392-1C11	45C-23
MS20392-1C11	45D-38
MS20392-1C11	45D-50
MS20392-1C13	38-42
MS20392-1C13	38A-42
MS20392-1C15	44-16
MS20392-1C15	45-21
MS20392-1C17	38-39
MS20392-1C21	44-33
MS20392-1C21	44A-39

PART NUMBER	FIGURE AND INDEX NO.
MS20392-1C21	45-38
MS20392-1C21	45A-42
MS20392-1C23	38-15
MS20392-1C23	38A-15
MS20392-1C23	38A-40
MS20392-1C35	44B-16
MS20392-1C35	44C-19
MS20392-1C35	45B-19
MS20392-1C35	45C-20
MS20392-1C39	44A-16
MS20392-1C39	45A-19
MS20392-1C47	44D-34
MS20392-1C47	45D-35
MS20392-1C7	38-13
MS20392-1C7	38A-13
MS20392-1C7	44D-50
MS20392-1C7	45D-51
MS20392-1C9	69-3
MS20392-1C97	39-17
MS20392-2C13	61-12
MS20392-2C15	44D-47
MS20392-2C15	45D-48
MS20392-2C15	61-32
MS20392-2C51	38A-36
MS20392-2C53	38-34
MS20392-2C59	44-11
MS20392-2C59	45-16
MS20392-2C7	70A-23
MS20392-3C33	44D-62
MS20392-3C33	45D-63
MS20392-3C39	44D-61
MS20392-3C39	45D-62
MS20435M4-14	32-8
MS20450C8-5	80-24B
MS20470AD10-31	17-9
MS20822-2	78-11
MS20822-2D	78-11
MS20822-3D	36A-18
MS20822-3D	36B-18
MS20822-6-6D	56-12
MS20822-6-6D	57A-18
MS20822-6-6D	76-35
MS20822-6-6D	76-49
MS20822-6-6D	87-17
MS20822-6-8D	76-35
MS20822-6D	76-16
MS20823-6D	56-12
MS20823-6D	76-52
MS20826-6D	79-14
MS20826-6D	79A-17
MS20913-1D	79-16
MS20913-1D	79A-19
MS20913-2D	79-16
MS21042L4	15-5
MS21042L4	15-10
MS21042L4	16-6
MS21042L4	18-4
MS21042L4	19-4
MS21042L4	21-1A
MS21042L4	21-2A
MS21042L4	21A-2
MS21042L4	21A-3
MS21042L4	22-4
MS21042L4	22A-4
MS21042L4	24-56
MS21042L4	24A-60
MS21042L4	25-12
MS21042L4	25-14
MS21042L4	25A-10
MS21042L4	29-32E
MS21042L4	33-14
MS21042L4	34A-13
MS21042L4	37A-17
MS21042L4	37A-21

PART NUMBER	FIGURE AND INDEX NO.
MS21042L4	42 -20
MS21042L4	42A-22
MS21042L4	44 - 4
MS21042L4	44A- 4
MS21042L4	44A- 8
MS21042L4	44B- 4
MS21042L4	44B- 8
MS21042L4	44C- 2
MS21042L4	44C-13
MS21042L4	44D- 2
MS21042L4	45 - 6
MS21042L4	45A- 4
MS21042L4	45A- 9
MS21042L4	45B- 4
MS21042L4	45B- 9
MS21042L4	45C- 3
MS21042L4	45C-14
MS21042L4	45D- 3
MS21042L4	47A-20
MS21042L4	47B-26
MS21042L4	47C-31
MS21042L4	50A-20
MS21042L4	50A-48
MS21042L4	50B-13
MS21042L4	50B-38
MS21042L4	52 -11
MS21042L4	56 -34
MS21042L4	56 -52
MS21042L4	56 -59
MS21042L4	56 -63
MS21042L4	58 -22
MS21042L4	59 -40
MS21042L4	59A-48
MS21042L4	64 - 2
MS21042L4	64 -45
MS21042L4	65 - 7
MS21042L4	65 -14
MS21042L4	65 -22
MS21042L4	66 - 7
MS21042L4	66 -32
MS21042L4	69 -21
MS21042L4	69 -29
MS21042L4	69 -36
MS21042L4	71 - 3
MS21042L4	71 - 7
MS21042L4	71 -24
MS21042L4	71 -36
MS21042L4	76 -48
MS21042L4	82 - 4
MS21042L4	86 - 8
MS21042L4	86 -34
MS21042L4	86 -49
MS21042L5	10 - 8
MS21042L5	11 - 7
MS21042L5	17 -12
MS21042L5	32 - 4
MS21042L5	32 -29
MS21042L5	33 - 5
MS21042L5	33 - 9
MS21042L5	36 -19
MS21042L5	36A-22
MS21042L5	36B-22
MS21042L5	50A-17
MS21042L5	50A-28
MS21042L5	50B-10
MS21042L5	50B-20
MS21042L5	67 - 8
MS21042L5	67 -23
MS21042L5	69 -44
MS21042L5	82 - 2
MS21042L5	86 -14
MS21042L6	36 -19
MS21042L6	36A-22
MS21042L6	36B-22

PART NUMBER	FIGURE AND INDEX NO.
MS21042L6	56 - 2
MS21042L6	57A-16
MS21042L6	69 -39
MS21042L6	87 -13
MS21044N06	47 -16
MS21044N06	47A-10
MS21044N06	47A-12
MS21044N06	47B-34
MS21044N06	48 -13
MS21044N06	80 -54
MS21044N06	81 -13
MS21044N06	81A-24
MS21044N06	85 - 7
MS21044N06	85A-14
MS21044N08	19A-11
MS21044N08	21 -19
MS21044N08	21A-24
MS21044N08	24 -37A
MS21044N08	24 -63
MS21044N08	24A-37
MS21044N08	24A-41
MS21044N08	24A-67
MS21044N08	28 -33
MS21044N08	28 -39
MS21044N08	29 -23
MS21044N08	31 - 8
MS21044N08	36 -11
MS21044N08	36A-10
MS21044N08	46 -10
MS21044N08	46 -19
MS21044N08	47 -23
MS21044N08	47A-22
MS21044N08	47B-30
MS21044N08	47C-33
MS21044N08	52A- 4
MS21044N08	52A- 9
MS21044N08	67 - 7
MS21044N08	67 -33
MS21044N08	68 - 4
MS21044N08	68 -38
MS21044N08	70 -12
MS21044N08	70 -13
MS21044N08	70A-34
MS21044N08	70A-37
MS21044N08	75 -17
MS21044N08	81B-30
MS21044N08	83 - 9
MS21044N08	84 -21
MS21044N3	12 - 3
MS21044N3	13 - 3
MS21044N3	15 -13
MS21044N3	15 -19
MS21044N3	16 - 9
MS21044N3	16 -20
MS21044N3	20 - 5
MS21044N3	23 -12
MS21044N3	24 -35
MS21044N3	25 -20
MS21044N3	25 -21
MS21044N3	25 -22
MS21044N3	25 -23
MS21044N3	25 -24
MS21044N3	25 -25
MS21044N3	25A- 5C
MS21044N3	25A-15
MS21044N3	25A-16
MS21044N3	25A-17
MS21044N3	25A-18
MS21044N3	25A-19
MS21044N3	27 - 2
MS21044N3	27 -29
MS21044N3	28 - 3
MS21044N3	28 -31
MS21044N3	29 - 1

PART NUMBER	FIGURE AND INDEX NO.
MS21044N3	29 - 9
MS21044N3	29 -32
MS21044N3	29 -74
MS21044N3	30 - 4
MS21044N3	30 -11
MS21044N3	32 - 6
MS21044N3	32 -35A
MS21044N3	36 -26
MS21044N3	36 -40
MS21044N3	36A-10
MS21044N3	36A-14
MS21044N3	36A-32
MS21044N3	36A-53
MS21044N3	36B-10
MS21044N3	36B-14
MS21044N3	36B-32
MS21044N3	36B-57
MS21044N3	42 -20
MS21044N3	42A-22
MS21044N3	44 - 4
MS21044N3	44 -26
MS21044N3	44 -37
MS21044N3	44 -40
MS21044N3	44A-27
MS21044N3	44A-34
MS21044N3	44B-32
MS21044N3	44B-36
MS21044N3	44C-35
MS21044N3	44C-39
MS21044N3	44D-66
MS21044N3	44D-70
MS21044N3	45 - 6
MS21044N3	45 -31
MS21044N3	45 -42
MS21044N3	45 -45
MS21044N3	45A-30
MS21044N3	45A-37
MS21044N3	45B-35
MS21044N3	45B-39
MS21044N3	45C-36
MS21044N3	45C-40
MS21044N3	45D-32
MS21044N3	45D-67
MS21044N3	45D-71
MS21044N3	46 -14
MS21044N3	50 -32
MS21044N3	50 -38
MS21044N3	50A-17
MS21044N3	52 - 4
MS21044N3	52 -10
MS21044N3	52A- 6
MS21044N3	60 -36
MS21044N3	60 -37
MS21044N3	60A- 9
MS21044N3	60A-32
MS21044N3	61 - 7
MS21044N3	61 -22
MS21044N3	61 -28
MS21044N3	64 -10
MS21044N3	64 -15
MS21044N3	64 -21
MS21044N3	64 -25
MS21044N3	64 -50
MS21044N3	65 -29
MS21044N3	66 -14
MS21044N3	66 -24
MS21044N3	66 -38
MS21044N3	66 -43
MS21044N3	67 -12
MS21044N3	67 -30
MS21044N3	69 - 7
MS21044N3	69 -12
MS21044N3	69 -24
MS21044N3	69 -34

PART NUMBER	FIGURE AND INDEX NO.
MS21044N3	69 -50
MS21044N3	69 -52
MS21044N3	69 -53
MS21044N3	70A-17
MS21044N3	70A-29
MS21044N3	70A-33
MS21044N3	70A-35
MS21044N3	70A-42
MS21044N3	70A-50
MS21044N3	71 -20
MS21044N3	71 -32
MS21044N3	72 -22
MS21044N3	72 -33
MS21044N3	76 -45
MS21044N3	80 -43
MS21044N3	86 - 8
MS21044N3	86 -21
MS21044N3	86 -27
MS21044N3	86 -38
MS21044N3	86 -44
MS21044N3	86 -48
MS21044N4	44D-16
MS21044N4	44D-31
MS21044N4	44D-59
MS21044N4	45D-17
MS21044N4	45D-60
MS2104408	81A-13
MS21045L08	56 -18
MS21045L08	79 -37
MS21045L3	56 -27
MS21045L3	56 -28
MS21045L3	56 -33
MS21045L3	56 -41
MS21045L3	56 -49
MS21045L3	56 -52
MS21045L3	56 -60
MS21045L3	57A-23
MS21045L3	58 -12
MS21045L3	58 -16
MS21045L3	79 -24
MS21045L3	79 -34
MS21045L3	79A-31
MS21045L3	80 -15
MS21045L3	80 -29
MS21045L3	82 - 5
MS21045L3	82 - 6
MS21045L3	82 -14
MS21045L3	87 -23
MS21919DG3	36 -10
MS21919DG3	75 -17
MS21919DG36	56 -32
MS21919DG36	60 -36
MS21919DG36	60A-32
MS21919DG48	56 -31
MS21919DG48	60 -36
MS21919DG48	60A-32
MS21919DG6	76 - 7
MS21919DG6	78 - 2A
MS21919DG8	23 -18
MS24665-132	20 - 8B
MS24665-132	20 -39
MS24665-132	33 -56
MS24665-132	33 -65
MS24665-132	38 -13
MS24665-132	38 -15
MS24665-132	38 -36
MS24665-132	38 -41
MS24665-132	38 -42
MS24665-132	38A-13
MS24665-132	38A-15
MS24665-132	38A-38
MS24665-132	38A-41
MS24665-132	38A-42

PART NUMBER	FIGURE AND INDEX NO.
MS24665-132	39 -18
MS24665-132	43 -15
MS24665-132	44 -12
MS24665-132	44 -17
MS24665-132	44 -21
MS24665-132	44 -34
MS24665-132	44A-17
MS24665-132	44A-20
MS24665-132	44A-40
MS24665-132	44B-17
MS24665-132	44B-20
MS24665-132	44C-20
MS24665-132	44C-23
MS24665-132	44D-47
MS24665-132	45 -17
MS24665-132	45 -22
MS24665-132	45 -26
MS24665-132	45 -39
MS24665-132	45A-20
MS24665-132	45A-23
MS24665-132	45A-43
MS24665-132	45B-20
MS24665-132	45B-23
MS24665-132	45C-21
MS24665-132	45C-24
MS24665-132	45D-48
MS24665-132	60A-31
MS24665-132	61 -11
MS24665-132	61 -33
MS24665-132	64 -34
MS24665-132	65 - 4
MS24665-132	66 - 1
MS24665-132	66 -33
MS24665-132	69 - 9
MS24665-132	69 -25
MS24665-132	71 -11
MS24665-132	77 -11
MS24665-134	32 -21
MS24665-134	33 -40
MS24665-134	33 -52
MS24665-134	44D-62
MS24665-134	45D-63
MS24665-134	65 -24
MS24665-134	65 -30
MS24665-134	66 -39
MS24665-134	66 -44
MS24665-134	69 - 3
MS24665-134	70A-24
MS24665-134	71 -20A
MS24665-134	71 -33
MS24665-136	32 -26
MS24665-136	66 -16
MS24665-138	72 -24
MS24665-143	66 -25
MS24665-170	44D-52
MS24665-170	45D-53
MS24665-172	44D-36
MS24665-172	44D-42
MS24665-172	45D-37
MS24665-172	45D-43
MS24665-281	61 - 3
MS24665-283	44 -14
MS24665-283	45 -19
MS24665-283	65 -23
MS24665-285	32 -21
MS24665-285	32 -26
MS24665-285	72 -25
MS24665-351	36 -22
MS24665-351	36A-25
MS24665-351	36B-25
MS24665-355	72 -26
MS24665-362	36 -41
MS24665-362	36A-54
MS24665-362	36B-60

PART NUMBER	FIGURE AND INDEX NO.
MS24665-5	72 - 4
MS250882	47C-20
MS25082-12	48 - 5
MS25082-12	48A- 4
MS25082B2	47A- 4
MS25082B2	47B-18
MS25237-330	51 - 3
MS25237-330	51A- 2
MS27261KSP4	24 -58
MS27261KSP4	24A-62
MS27261KSP4	64 -40
MS27975-3	65 -26
MS28775-110	63 -18
MS28778-2	78 - 8
MS28778-4	12 - 8
MS28778-4	13 -19
MS28778-4	75 - 2
MS29512-06	76 -16C
MS29513-010	76A- 7
MS29513-016	76A- 3
MS29513-10	77 -15
MS29513-111	77 - 4
MS29513-12	14 - 2
MS29513-138	77 - 5
MS35488-17	86 -11
MS35489-11	24 -14
MS35489-11	24 -15
MS35489-11	24 -16
MS35489-11	24A-18
MS35489-11	76 - 4
MS35489-13	84 -22
MS35489-14	27 -27
MS35489-14	29 -31
MS35489-14	70A-36
MS35489-15	54 - 7
MS35489-15	59 - 5
MS35489-15	59 -20
MS35489-15	59A- 5
MS35489-15	59A-17
MS35489-17	59 -25
MS35489-17	59A-26
MS35489-20	24 -48
MS35489-20	24A-54
MS35489-20	57A-25
MS35489-20	59 -37
MS35489-20	59A-43
MS35489-20	87 -27
MS35489-33	47A- 7
MS35489-33	47B-21
MS35489-33	85A-12
MS35489-4	47A- 9
MS35489-4	47B- 4
MS35489-4	81 -18
MS35489-4	81A-20
MS35489-4	81B-18
MS35489-4	84 -22
MS35489-4	85 - 9
MS35489-6	50 -10
MS35489-65	28 -27
MS35489-7	24 -47
MS35489-7	24A-53
MS35489-7	27 -25
MS35489-7	75 -10
MS35489-72	28 -29
MS35489-9	5 - 3A
MS35489-9	7 - 3A
MS35769-11	56 -14
MS51959-5B	85A-23
MS5489-33	85 - 8
NASHT1-27	45D-41
NAS1067A08	22A-29
NAS1068A3	24 -35
NAS1068A4	18 -11
NAS1068A4	19 -11



PART NUMBER	FIGURE AND INDEX NO.
NAS1068A4	24 -36
NAS1068A4	50A-26
NAS1080C6	25A- 5
NAS1080C8	25A- 8
NAS1080C8	25A- 8
NAS1080C8	25A- 8
NAS1080C8	25A- 8
NAS1303-5	25 -20
NAS1303-5	25A-14
NAS1329A06K120	4 -63
NAS1329A06K120	5 -76
NAS1329A06K120	6 -72
NAS1329A06K120	7 -81
NAS1329A08-75	17 -16
NAS1329A08K120	3 -32
NAS1426-3	25A- 5
NAS1428-4	25A- 8
NAS1428-4	25A- 8
NAS178-6-6	25 - 4
NAS178-6-6	25A- 5
NAS178-8-4	25 -12
NAS178-8-4	25 -12
NAS178-8-4	25 -12
NAS178-8-4	25 -12
NAS178-8-5	25A- 8
NAS178-8-5	25A- 8
NAS178-8-5	25A- 8
NAS178-8-5	25A- 8
NAS178-8-5	25A- 8
NAS179-6	25 - 4
NAS179-6	25A- 5
NAS179-8	25 -12
NAS179-8	25 -12
NAS179-8	25 -12
NAS179-8	25A- 8
NAS179-8	25A- 8
NAS179-8	25A- 8
NAS220-10	24 -37A
NAS220-10	24 -63
NAS220-10	24A-67
NAS220-11	21 -19
NAS220-11	21A-24
NAS220-11	24A-41
NAS220-12	3 -19
NAS220-6	3 -16
NAS220-6	3 -16
NAS220-6	24A-37
NAS220-6	36 -11
NAS220-6	36A- 9
NAS220-6	75 -17
NAS220-8	3 -17
NAS220-8	3 -20
NAS220-8	3 -20
NAS220-9	3 -18
NAS220-9	24A-40
NAS221-10	42 -21
NAS221-10	42A-23
NAS221-10	69 -52
NAS221-14	69 -53
NAS221-17	44A-42
NAS221-17	44B-40
NAS221-17	44C-43
NAS221-17	44D-74
NAS221-17	45A-45
NAS221-17	45B-43
NAS221-17	45C-44
NAS221-17	45D-75
NAS221-6	36A- 9
NAS221-6	36A-31
NAS221-6	36B-10
NAS221-6	36B-31
NAS221-7	24A-39
NAS221-8	15 -18
NAS221-8	28 - 7
NAS221-8	44 -36
NAS221-8	44 -39
NAS221-8	44A-33

PART NUMBER	FIGURE AND INDEX NO.
NAS221-8	44B-35
NAS221-8	44C-38
NAS221-8	44D-69
NAS221-8	45 -41
NAS221-8	45 -44
NAS221-8	45A-36
NAS221-8	45B-38
NAS221-8	45C-39
NAS221-8	45D-70
NAS221-9	36 -25
NAS221-9	36A-13
NAS221-9	36B-13
NAS388-104	46 - 4
NAS395-1-3	81 -17
NAS395-1-3	81A-19
NAS395-12-13	8 -19
NAS395-12-13	9 -19
NAS395-12-3	26 -20
NAS395-12-3	26A-19
NAS395-12-3	73 - 6
NAS395-14-3	3 -24
NAS395-14-3	4 -19
NAS395-14-3	4 -55
NAS395-14-3	4 -57
NAS395-14-3	5 -29
NAS395-14-3	5 -69
NAS395-14-3	5 -71
NAS395-14-3	6 -27
NAS395-14-3	6 -62
NAS395-14-3	6 -64
NAS395-14-3	6 -65
NAS395-14-3	7 -33
NAS395-14-3	7 -73
NAS395-14-3	7 -75
NAS395-14-3	8 -23
NAS395-14-3	9 -23
NAS395-14-3	24 -39
NAS395-14-3	24 -39
NAS395-14-3	24 -45
NAS395-14-3	24A-45
NAS395-14-3	24A-50
NAS395-14-3	26 -24
NAS395-14-3	26A-23
NAS395-14-3	30 -20
NAS395-14-3	36A-36
NAS395-14-3	58 - 6
NAS395-14-3	58 - 8
NAS395-14-3	73 -24
NAS395-17-3	24 -42
NAS395-17-3	24A-47
NAS395-17-3	26 -70
NAS395-17-3	26A-69
NAS395-17-3	55A- 3
NAS395-18-1	74 - 9
NAS395-18-3	55 -31
NAS395-2-3	81B-22
NAS395-25-3	75 - 8
NAS395-3-3	49 - 5
NAS395-3-3	81A- 3
NAS395-3-3	81B- 3
NAS395-3-3	81B-16
NAS395-4-3	8 -12
NAS395-4-3	9 -12
NAS395-4-3	47 -18
NAS395-4-3	47A-11
NAS395-5-3	38 -47
NAS395-5-3	38A-47
NAS395-5-3	74 - 6
NAS395-6-3	49 - 3
NAS397-16	32 -12
NAS397-16	56 -11
NAS397-16	56 -13
NAS397-18	56 -13
NAS397-22	54A-18

PART NUMBER	FIGURE AND INDEX NO.
NAS397-22	60 -33
NAS397-22	60A-22
NAS397-32	54 -18
NAS397-34	56 -20
NAS397-34	56 -29
NAS397-34	60 -37
NAS397-34	60A-33
NAS397-34	82 - 8
NAS397-8	79 -11
NAS397-8	79A-14
NAS398-42	60A-26
NAS398-50	56 -30
NAS398-50	60 -36
NAS398-50	60A-32
NAS42DD4-5	24A-26
NAS42HT6-8	61 -10
NAS428-3-7	70A-47
NAS428-4-6	44A- 9
NAS428-4-6	44B- 9
NAS428-4-6	44C-14
NAS428-4-6	44D-17
NAS428-4-6	45A-10
NAS428-4-6	45B-10
NAS428-4-6	45C-15
NAS428-4-6	45D-18
NAS428H3-7	18 -12
NAS428H3-7	19 -12
NAS428H3-7	30 -16
NAS428H4-12	44 - 6
NAS428H4-12	45 - 9
NAS43DD0-14	85A- 6
NAS43DD0-15	85A- 6
NAS43DD0-16	85A- 6
NAS43DD0-17	85A- 6
NAS43DD0-18	85A- 6
NAS43DD0-19	85A- 6
NAS43DD0-6	85 -13
NAS43DD0-6	85A-17
NAS43DD0-9	85A-3A
NAS43DD1-10	70 - 9
NAS43DD1-26	47B-50
NAS43DD1-26	47C-53
NAS43DD1-32	47A-42
NAS43DD1-32	47A-45
NAS43DD1-47	47 -42
NAS43DD1-47	47 -45
NAS43DD1-56	47B-53
NAS43DD1-56	47B-59
NAS43DD1-56	47C-56
NAS43DD1-56	47C-62
NAS43DD1-6	47 -39
NAS43DD1-6	47A-39
NAS43DD1-9	44 -32
NAS43DD1-9	44A-38
NAS43DD1-9	45 -37
NAS43DD1-9	45A-41
NAS43DD3-10	48B- 7
NAS43DD3-12	83B-10
NAS43DD3-16	70 -12
NAS43DD3-22	47A-38
NAS43DD3-22	47B-49
NAS43DD3-22	47C-52
NAS43DD3-22	60 - 7
NAS43DD3-23	75 -21
NAS43DD3-24	47 -38
NAS43DD3-24	50 -37
NAS43DD3-25	47 - 5
NAS43DD3-30	50 -31
NAS43DD3-32	50 -31
NAS43DD3-48	70A-40
NAS43DD3-5	60 -54
NAS43DD3-5	60A-50
NAS43DD3-71	48 - 5
NAS43DD3-71	48A- 4

PART NUMBER	FIGURE AND INDEX NO.
NAS43DD3-9	24 -32
NAS43DD3-9	24A-34
NAS43DD3-9	29 -12
NAS43DD4-152	66 - 6
NAS43DD4-4	72 - 2
NAS43HT1-27	44D-40
NAS43HT3-12	61 -13
NAS43HT3-12	70A-52
NAS43HT3-13	71 -19
NAS43HT3-16	81B- 6
NAS43HT3-20	51 -22
NAS43HT3-20	51A-19
NAS43HT3-34	76 -19
NAS43HT3-39	38 -11
NAS43HT3-39	38A-11
NAS43HT3-4	69 -53
NAS43HT3-44	66 -21
NAS43HT3-44	70 -11
NAS43HT3-6	46 -13
NAS43HT3-6	70A-26
NAS43HT3-6	70A-46
NAS43HT3-8	84 -19
NAS43HT3-82	38 -35A
NAS43HT3-9	86 -28
NAS43HT4-12	50A-25
NAS43HT4-12	50B-17
NAS43HT4-20	50A-47
NAS43HT4-20	50B-37
NAS43HT4-22	50A- 8
NAS43HT4-22	50B- 3
NAS43HT4-9	66 -37
NAS43HT5-14	44B-24
NAS43HT5-14	44C-27
NAS43HT5-14	45B-27
NAS43HT5-14	45C-28
NAS43HT5-24	44B-25
NAS43HT5-24	44C-28
NAS43HT5-24	45B-28
NAS43HT5-24	45C-29
NAS43HT5-40	86 -17
NAS43HT6-29	32 - 7
NAS446-1-1	47 -22A
NAS446-1-1	47A-21
NAS446-1-1	47B-29
NAS446-1-1	47C-32
NAS446-2-3	47 -22
NAS446-2-3	47A-19
NAS446-2-3	49A- 2
NAS446-2-3	73A-25
NAS446-4-3	3 -32
NAS446-4-3	8 -15
NAS446-4-3	26 -71
NAS446-4-3	26 -72
NAS446-4-3	26 -73
NAS446-4-3	26A-70
NAS446-4-3	41 - 9
NAS446-4-3	56 -54
NAS446-4-3	59 - 2
NAS446-4-3	59 -10
NAS446-4-3	59 -13
NAS446-4-3	59 -16
NAS446-4-3	59A- 3
NAS446-4-3	59A-15
NAS446-4-3	59A-30
NAS446-4-3	60 -40
NAS446-4-3	60A-36
NAS446-4-3	65 -18
NAS446-4-3	75 -21
NAS446-4-3	75 -22
NAS446-4-3	80 -36
NAS446-4-3	86 - 4
NAS446-43	9 -17
NAS446-5-3	41 - 4
NAS448-1-3	83B-13

PART NUMBER	FIGURE AND INDEX NO.
NAS463WDD416	24A-37
NAS464-3-22	33 -53
NAS464-4-5	50A-24
NAS464-4-5	50B-16
NAS464P3-7	25A- 5A
NAS464P3A5	25A-14
NAS464P4A6	50A-36
NAS464P4A6	50B-26
NAS464P4A8	50A- 5
NAS464P4A8	50B- 2
NAS488-1-1	73A-21
NAS488-1-3	83A- 7
NAS488-7-3	12 -12
NAS488-7-3	41 -27
NAS488-7-3	26 -71
NAS557-10A	26A-70
NAS557-10A	80 -36
NAS557-3A	26 -73
NAS557-6	76 -56
NAS557-6A	26 -72
NAS557-6A	26A-71
NAS561-3-8	39 - 9
NAS561-3-8	44D-45
NAS561-3-8	45D-46
NAS561CF2-6	44 -22
NAS561CF2-6	44A-21
NAS561CF2-6	44B-21
NAS561CF2-6	44C-24
NAS561CF2-6	45 -27
NAS561CF2-6	45A-24
NAS561CF2-6	45B-24
NAS561CF2-6	45C-25
NAS561CF3-14	44 -30
NAS561CF3-14	44A-31
NAS561CF3-14	45 -35
NAS561CF3-14	45A-34
NAS561C2-8	60 -17
NAS561C2-8	60A-16
NAS561C3-10	44D-20
NAS561C3-10	45D-21
NAS561C3-14	44B-27
NAS561C3-14	44C-30
NAS561C3-14	44D-22
NAS561C3-14	45B-30
NAS561C3-14	45C-31
NAS561C3-14	45D-23
NAS561P12-48	32 - 2
NAS561P3-5	76A- 5
NAS561P3-7	43 -13
NAS561P3-8	38 - 8
NAS561P3-8	38A- 8
NAS561P3-8	72 - 6
NAS561P4-10	33 -66
NAS561P4-14	35 - 9
NAS564-45	36 - 6
NAS620-10	81B-29
NAS620-4	69 -49
NAS620-4	70A- 7
NAS620-8	81B-27
NAS620A416L	51A-12
NAS679A06	47C-37
NAS680A06	5 -74
NAS680A06	6 -69
NAS680A06	7 -78
NAS680A06	21 -25
NAS680A06	22 -22
NAS680A06	27 -17
NAS680A06	28 -20
NAS680A06	36A-41
NAS680A06	36B-41
NAS680A06K	38 -30
NAS680A06K	38A-31
NAS680A06K	81 - 6
NAS680A06K	81A- 7

PART NUMBER	FIGURE AND INDEX NO.
NAS680A08	4 - 9
NAS680A08	4 -41
NAS680A08	5 -17
NAS680A08	5 -54
NAS680A08	6 - 4
NAS680A08	6 -13
NAS680A08	6 -14
NAS680A08	6 -16
NAS680A08	6 -25
NAS680A08	6 -48
NAS680A08	7 -18
NAS680A08	7 -19
NAS680A08	7 -22
NAS680A08	7 -58
NAS680A08	8 -33
NAS680A08	9 -35
NAS680A08	10 - 3
NAS680A08	10 - 3
NAS680A08	10 -23
NAS680A08	11 -13
NAS680A08	11 -15
NAS680A08	11 -15
NAS680A08	11 -27
NAS680A08	36A-36
NAS680A08	36B-36
NAS680A08	36B-59
NAS680A08	50 -22
NAS680A08	53 - 5
NAS680A08	53 -13
NAS680A08	53A-12
NAS680A08	55A-29
NAS680A08	55A-30
NAS680A08	83A- 4
NAS680A08	83A-13
NAS680A08	84 -14
NAS680A08K	4 -60
NAS680A08K	5 - 4
NAS680A08K	5 -67
NAS680A08K	6 -66
NAS680A08K	7 - 4
NAS680A08K	7 -71
NAS680A08K	73A-38
NAS680A3	12 - 4A
NAS680A3	13 - 5B
NAS680A3	26 -36
NAS680A3	26 -36
NAS680A3	26A-35
NAS680A3	26A-35
NAS680A3	27 - 5
NAS680A3	27 -15
NAS680A3	28 - 6
NAS680A3	28 -18
NAS680A3	29 -63A
NAS680A3	50 -26
NAS680A3K	18 -24
NAS680A3K	19 -27
NAS680A3K	20 -17
NAS680A3K	26 -65
NAS680A3K	26A-64
NAS680A3K	29 -30
NAS680A3K	29 -37
NAS680A3K	36 -30
NAS680A3K	36A-43
NAS680A3K	36B-45
NAS680A4	24A-37
NAS680A4	29 - 3
NAS680A4	50A-26
NAS680A4	50B-18
NAS680A5	30 -14
NAS680A6	36 - 5A
NAS681A08K	38 -32
NAS681A08K	38A-34
NAS682A06	27 -14
NAS682A06	28 -17

PART NUMBER	FIGURE AND INDEX NO.
NAS682A06K	38 -30
NAS682A06K	38 -55
NAS682A06K	38A-31
NAS682A06K	38A-59
NAS682A08K	30 - 7A
NAS682A3	20 -10
NAS682A3	26A- 9
NAS682A3	44A-36
NAS682A3	45A-39
NAS682A3K	46 - 4
NAS682A3K	54A- 6
NAS684A06	47 -15
NAS684A06	47A- 9
NAS686A3	36 -31
NAS686A3	36A-44
NAS686A3	36B-46
NAS686A4	18 -19
NAS686A4	19 -24
NAS696A06L	36A-36
NAS696A06L	36B-36
NAS696A08	27 -34
NAS696A08	28 -36
NAS696A3	24A-14
NAS696A3K	76 -30
NAS696A4	24 -36
NAS696A4	24A-37
NAS696A4	25A-20
NAS696A4	25A-21
NAS696A4	25A-24
NAS696A4	50A-26
NAS696A4	50A-34A
NAS696A4	50A-44
NAS696A4	50B-24
NAS696A4	50B-34
NAS697A06L	21A-28
NAS697A06L	27 - 5
NAS697A06L	28 - 6
NAS697A06L	81B-10
NAS697A08	27 -31
NAS697A08	27 -33
NAS697A08	28 -35
NAS697A08	51 - 9
NAS697A08	55A-27B
NAS697A08	55A-29C
NAS697A08K	26 -64
NAS697A08K	26A-63
NAS697A3	25 -27
NAS697A3	25A-25
NAS697A3	29 -30
NAS697A3K	30 -16
NAS697A4K	26 -63
NAS697A4K	26A-62
NAS698A08	39 - 2
NAS698A08	39 -14
NAS698A08	86 -15
NAS698A3	27 -16
NAS698A3	28 -19
NAS698A4	25 -26
NAS698A4	50A-34
NAS69808	67 -20
NAS70-261-750	64 -31
NAS74A3-004	20 -37
NAS74A3-004	65 -28
NAS74A3-004	86 -37
NAS74A3-004P	65 -28
NAS74A3-004P	86 -37
NAS75-3-009	33 -63
NAS75-3-018	70A-10
NAS77-3-23	33 -43
NAS77-6-88	33 -41
NAS77-6-88	33 -57
N5000-175	62 - 7
OR95-1.5	84 -21
PN3A	19A-14

PART NUMBER	FIGURE AND INDEX NO.
PR0890	1 -14B
P2274	79 -26
REM40E	57 -17
R561	37 -31
R561	37A-33
SEL8S	67 -10
SEL8S	67 -31
SE709	78 -30
SFE-9	47A-50
SFE-9	47B-68
SFE-9	47C-70
SK150-11	33 - 3
SR88	57 -17
S1003-43A	61 -29
S1003-65A	18 -35
S1003-65A	19 -38
S1003-66A	69 -44
S1004-15B	20 -34
S1004-15B	22 -36
S1004-15B	22A-35
S1004-28A	64 -37
S1004-29A	64 -38
S1021A10-10	10 - 5
S1021A10-10	10 -21
S1021A10-10	11 - 4
S1021A10-10	11 -25
S1021A10-16	50 -40
S1021A4-6	41 -44
S1021A4-6	44B- 5
S1021A4-6	44C- 3
S1021A4-6	44C- 4A
S1021A4-6	44D- 5
S1021A4-6	45A- 6
S1021A4-6	45B- 6
S1021A4-6	45C- 5
S1021A4-6	45D- 5
S1021A6-6	38 -45
S1021A6-6	38A-45
S1021A6-6	44D- 5
S1021A6-6C	41 - 5
S1021A6-6C	41 - 8
S1021Z10-10	41 - 3
S1021Z10-6	75 - 7
S1021Z10-8C	41 -22
S1021Z4-4	41 -34
S1021Z4-4	41 -36
S1021Z4-6	41 -36
S1021Z4-6	47 -22A
S1021Z4-6	47A-21
S1021Z4-6	47B-29
S1021Z4-6	50A-41
S1021Z4-6	50B-31
S1021Z4-6	81 -16
S1021Z4-8	42A-13E
S1021Z4-8	81 - 3
S1021Z6-10	70 - 9
S1021Z6-10	81A- 2
S1021Z6-10	81B- 2
S1021Z6-14	47 -60
S1021Z6-4	21 -28
S1021Z6-4	21A-30
S1021Z6-4	22 -26
S1021Z6-4	36A-38
S1021Z6-4	41 -13
S1021Z6-4	81A-19
S1021Z6-4	81B-21
S1021Z6-4	84 -11
S1021Z6-6	18 -47
S1021Z6-6	19 -50
S1021Z6-6	21 -32
S1021Z6-6	21A-32
S1021Z6-6	36B-43
S1021Z6-6	38 -46
S1021Z6-6	38A-46

PART NUMBER	FIGURE AND INDEX NO.
S1021Z6-6	42 -10
S1021Z6-6	47C-82
S1021Z6-6	47C-83
S1021Z6-6	49 - 2
S1021Z6-6	49A- 1
S1021Z6-6	49A- 7
S1021Z6-6	51 -14
S1021Z6-6	70 - 1
S1021Z6-6	70 - 7
S1021Z6-6	70 -10
S1021Z6-6	70 -11
S1021Z6-6	73A-24
S1021Z6-6	74 - 5
S1021Z6-6	81 - 2
S1021Z6-7	47 -62
S1021Z6-8	47 -58
S1021Z6-8	47 -60
S1021Z6-8	47 -62
S1021Z6-8	47A-60
S1021Z6-8	47A-63
S1021Z6-8	47B-23
S1021Z6-8	47B-77
S1021Z6-8	47C-26
S1021Z6-8	56 -23
S1021Z6-8	67 -15
S1021Z6-8	67 -19
S1021Z6-8	80 -50
S1021Z6-8	81B- 4
S1021Z6-8	83A- 6
S1021Z6-8	83B- 4
S1021Z6-8B	47 -18
S1021Z6-8B	47A-11
S1021Z8-10	12 -14
S1021Z8-10	13 - 4
S1021Z8-10	56 - 9
S1021Z8-10	60A- 7
S1021Z8-12	41 -26
S1021Z8-12	60 - 7
S1021Z8-14	75 -21
S1021Z8-20	58 - 5
S1021Z8-6	3 -29
S1021Z8-6	3 -32
S1021Z8-6	18 -44
S1021Z8-6	19 -47
S1021Z8-6	20 -42
S1021Z8-6	23 -19
S1021Z8-6	26 -71
S1021Z8-6	26 -72
S1021Z8-6	26 -73
S1021Z8-6	26A-70
S1021Z8-6	26A-71
S1021Z8-6	36A-36
S1021Z8-6	42 -13
S1021Z8-6	42 -15
S1021Z8-6	42A-10
S1021Z8-6	42A-12
S1021Z8-6	54 - 2
S1021Z8-6	54 -20
S1021Z8-6	54A-21
S1021Z8-6	58 - 7
S1021Z8-6	59 - 2
S1021Z8-6	59 -10
S1021Z8-6	59 -13
S1021Z8-6	59 -16
S1021Z8-6	59A- 2
S1021Z8-6	59A-15
S1021Z8-6	60 -39
S1021Z8-6	60 -41
S1021Z8-6	60A-35
S1021Z8-6	60A-37
S1021Z8-6	65 -17
S1021Z8-6	76 -58
S1021Z8-6	80 -36
S1021Z8-8	3 -23

PART NUMBER	FIGURE AND INDEX NO.
S1021Z8-8	3 -27
S1021Z8-8	3 -43
S1021Z8-8	3 -44
S1021Z8-8	4 -63
S1021Z8-8	5 -76
S1021Z8-8	6 -72
S1021Z8-8	7 -81
S1021Z8-8	8 -17
S1021Z8-8	8 -19
S1021Z8-8	8 -22
S1021Z8-8	9 -16
S1021Z8-8	9 -19
S1021Z8-8	9 -22
S1021Z8-8	16 -36
S1021Z8-8	18 -42
S1021Z8-8	19 -45
S1021Z8-8	23 - 4
S1021Z8-8	23 - 5
S1021Z8-8	23 - 7
S1021Z8-8	23 - 8
S1021Z8-8	23 - 9
S1021Z8-8	23 -21
S1021Z8-8	26 -69
S1021Z8-8	26A-68
S1021Z8-8	36 - 3
S1021Z8-8	38 -57
S1021Z8-8	38A-61
S1021Z8-8	41 - 9
S1021Z8-8	54A- 5
S1021Z8-8	55 -39
S1021Z8-8	55A- 2
S1021Z8-8	56 -27
S1021Z8-8	56 -52
S1021Z8-8	56 -54
S1021Z8-8	59A-29
S1021Z8-8	60 -26
S1021Z8-8	73 - 2
S1021Z8-8	73 - 6
S1021Z8-8	73 -23
S1021Z8-8	74 - 9
S1021Z8-8	75 -22
S1021Z8-8	76 - 3
S1021Z8-8	76 - 7
S1021Z8-8	78 - 2A
S1021Z8-8	86 - 4
S1021Z8R6	3 -30
S102124-6	47C-32
S1022A4-6	40 - 8
S1022Z6-6	51 -12
S1022Z6-8	44 -13
S1022Z6-8	45 -18
S1022Z6-8	81B-15
S1022Z6-8C	70 - 4
S1022Z8-8	3 -43
S1023A6-12B	47 -22
S1023A6-12B	47A-19
S1023A6-12B	47B-27
S1023A6-12B	47C-30
S1023A6-6	44C- 4A
S1023A6-8C	50A-12
S1026BG	1 -18
S1038-2	80 -33
S1047-1	1 -20
S1047-2	1 -20
S1050-1	1 -48
S1050-1	54 -14
S1050-1	54A-14
S1050-2	1 -48
S1050-3	1 -48
S1053E10T	1 -19
S1053E10T	60 -32
S1053E10T	60A-21
S1053E12T	1 -19
S1053E16T	56 -28

PART NUMBER	FIGURE AND INDEX NO.
S1053E16T	56 -28
S1053E16T	56 -29
S1053E16T	56 -29
S1053E16T	60 -37
S1053E16T	60A-33
S1053E16T	82 - 7
S1053E20T	1 -19
S1053E20T	60A-25
S1053E24T	1 -19
S1053E28T	1 -19
S1053E32T	1 -19
S1053E7T	1 -19
S1053E8T	1 -19
S1053E8T	56 -13
S1053K10T	1 -19
S1053K12T	1 -19
S1053K16T	54 -15
S1053K16T	54 -16
S1053K16T	54 -17
S1053K16T	54 -18
S1053K16T	54A-15
S1053K16T	54A-16
S1053K16T	54A-17
S1053K16T	54A-18
S1053K16T	56 -19
S1053K20T	1 -19
S1053K24T	1 -19
S1053K24T	56 -30
S1053K24T	60 -36
S1053K24T	60A-32
S1053K24W	1 -19
S1053K28W	1 -19
S1053K32T	1 -19
S1055-1	1 -21
S1055-1	24 - 7
S1055-1	24A- 6
S1066B1	47 -37
S1066B1	47A-37
S1066B1	47B-48
S1066B1	47C-51
S1067B1	47 -22
S1067B1	47A-19
S1067B1	47B-27
S1067B1	47C-30
S1071-1	1 -22
S1071-1	8 -18
S1071-1	9 -18
S1071-1	73 - 5
S1071-1	73 -10
S1071-1	73 -14
S1071-1	73 -16
S1071-1	73A- 3
S1071-1	73A- 5
S1071-1	73A- 8
S1071-1	73A-26
S1071-1	73A-30
S1071-1	73A-32
S1071-1	73A-42
S1071-3	1 -22
S1071-3	36A- 8
S1071-3	36B- 9
S1071-4	1 -22
S1071-4	23 -16
S1071-4	74 - 3
S1071-5	1 -22
S1071G3	67 - 4
S1071G3	67 -14
S1071G3	67 -18
S1071G3	68 - 9
S1071G3	68 -11
S1071G3	68 -43
S1071G3	68 -45
S1071R3	67 - 3
S1071R3	67 -13

PART NUMBER	FIGURE AND INDEX NO.
S1071R3	67 -17
S1071R3	68 - 8
S1071R3	68 -10
S1071R3	68 -42
S1071R3	68 -44
S1078-1	1 - 7
S1078-1	3 -45
S1078-2	1 - 8
S1078-3	1 - 9
S1084-1	1 -23
S1090-1	48 -17
S1090-1	48A-13
S1090-10	48 -17
S1090-10	48A-13
S1090-11	48 -24
S1090-11	48A-18
S1090-11	80 -30
S1090-12	48 -18
S1090-12	48 -19
S1090-12	48A-14
S1090-13	48 -20
S1090-13	48 -21
S1090-13	48A-15
S1090-13	48A-16
S1090-14	48 -22
S1090-15	48 -23
S1090-15	48A-17
S1090-2	48 -24
S1090-2	48A-18
S1090-2	80 -30
S1090-22	80 -12
S1090-23	80 -12
S1090-3	48 -18
S1090-3	48 -19
S1090-3	48A-14
S1090-4	48 -20
S1090-4	48 -21
S1090-4	48A-15
S1090-4	48A-16
S1090-5	48 -22
S1090-6	48 -23
S1090-6	48A-17
S1091-1	80 -12
S1091-10	48 -18
S1091-10	48 -19
S1091-10	48 -20
S1091-10	48A-14
S1091-10	48A-15
S1091-15	48 -20
S1091-15	48A-15
S1091-20	48 -22
S1091-25	48 -23
S1091-25	48A-17
S1091-5	48 -24
S1091-5	48A-18
S1091-5	80 -30
S1093-1	16 -40
S1095-1	26 -73
S1095-3	26 -72
S1095-3	26A-71
S1095-3	76 -57
S1095-5	26 -71
S1095-5	26A-70
S1095-5	80 -36
S1099-1-3.60	75 -28
S1099-1-4.10	75 -28
S1099-1-4.50	75 -26
S1099-1-5.00	75 -26
S1104-3	56 -42
S11065-21	33 -26
S1110ET	1 -24
S1115-1	80 -24D
S1115-19	55 -13
S1115-19	55 -38

PART NUMBER	FIGURE AND INDEX NO.
S1115-19	55A-15
S1115-19	55A-43
S1115-19	80 -22
S1115-19	80 -22B
S1115-21	55 -15
S1115-21	55A-17
S1115-29	26 -59
S1115-29	26A-58
S1115-29	56 -71
S1115-3	85 - 5
S1115-30	80 -24
S1115-32	55 -10
S1115-32	55 -37
S1115-32	55A-21
S1115-32	55A-42
S1115-33	55 -12
S1115-33	55A-22
S1115-35	55 -11
S1115-35	55A-23
S1115-9	55 -12
S1115-9	55 -16
S1115-9	55 -37
S1115-9	55A-17
S1115-9	55A-23
S1115-9	55A-42
S1115-9	80 -24
S1115-9	80 -24D
S1116	1 -43
S1117-24	36 -21
S1117-24	36A-24
S1117-24	36B-24
S1130-1	8 -20
S1130-1	9 -20
S1130-1	73 - 3A
S1130-1	73 - 4
S1130-1	73 - 7
S1130-1	73 - 9
S1130-1	73 -12
S1130-1	73 -17
S1130-1	73A- 4
S1130-1	73A-27
S1130-1	73A-41
S1131-1	8 -20
S1131-1	9 -20
S1131-1	73 - 4
S1131-1	73 - 7
S1131-1	73 - 9
S1131-1	73 -12
S1131-1	73 -17
S1131-1	73A- 4
S1131-1	73A-27
S1131-1	73A-41
S1132-1	8 -21
S1132-1	9 -21
S1132-1	73 - 3
S1133-1	73 - 7
S1133-1	73 -11
S1133-1	73A-10
S1133-1	73A-16
S1135-1	73A- 2
S1135-1	73A-40
S1138-1	73A-31
S1138-1	73A-43
S1139-1	73 - 9
S1139-1	73 -12
S1139-1	73A- 6
S1139-1	73A-28
S1146-1	43 - 4
S1155-3	85A- 7
S1155-3	85A-13
S1167-6-0194	56 -12
S1167-6-0194	76 -54
S1167-6-0230	56 -12
S1167-6-0230	76 -53

PART NUMBER	FIGURE AND INDEX NO.
S1168-2-15	78 - 2
S1209-1	4 -60
S1209-1	5 -67
S1209-1	6 -66
S1209-1	7 -71
S1216-3	51A-12
S1216-4	47 -49
S1216-4	47A-49
S1216-4	48B-11
S1222-17	47 -53
S1222-17	56 -37
S1230-19	47 -54
S1230-19	47A-54
S1230-19	47B-71
S1230-19	47C-74
S1230-19	56 -21
S1234-11	47A-51
S1234-11	47B-69
S1234-11	56 -46
S1236-3-0150	78 - 2
S1236-6-0074	87 -14
S1236-6-0094	57A-19
S1236-6-0094	87 -16
S1239-46	47 -48
S1239-46	47A-48
S1239-46	47B-67
S1239-46	47C-71
S1239-46	60 - 1
S1239-46	60A- 1
S1239-46	60A- 8
S1239-49	47 -56
S1239-49	47A-56
S1239-49	47B-73
S1239-49	47C-76
S1239-49	75 -19
S1258-1	73 -18
S1283-1	60 - 8
S1283-1	60A- 6
S1291-2	51 -10
S1291-3	40 - 2
S1302N1	47 -36
S1305N7	47 -38
S1305N7	47A-38
S1317N2	47 -26
S1317N2	47A-26
S1320-1	47 -41
S1320-3	47 -41
S1320-5	47 -41
S1320-5	47A-41
S1320-5	47B-51
S1320-5	47C-54
S1323N4	47 -30
S1346-1	1 -25
S1356	1 -44
S1356-1	38 - 5
S1356-1	38A- 5
S1357-3	50 -29
S1357-3	50 -35
S1360-10L	48B-14
S1360-10L	48B-15
S1360-10L	48C- 9
S1360-15L	48B-15
S1360-15L	48B-18
S1360-15L	48C-10
S1360-15L	48C-13
S1360-20L	48C-10
S1360-25L	48B-17
S1360-25L	48C-12
S1360-5L	48B-16
S1360-5L	48C-11
S1366-1	1 -26
S1366-2	1 -26
S1366-3	1 -26
S1378-1	1 -27

PART NUMBER	FIGURE AND INDEX NO.
S1378-2	1 -27
S1378-2	38 -26
S1389-1	1 -28
S1389-1	29 -74
S1389-2	1 -28
S1389-2	29 -72
S1389-3	1 -28
S1389-4	1 -28
S1389-5	1 -28
S1389-5	29 -71
S1389-5	31 - 2
S1389-5	31 - 3
S1389-5	31 - 4
S1389-6	1 -28
S1389-7	1 -28
S1392N2	47 -37
S1397-5	2 -34
S1397-5	2A-31
S1397-5	2B-34
S1397-5	2C-34
S1397-5	2D-33
S1397-5	55 -40
S1397-5	55A-44
S1398-1	1 -29
S1398-1	60 -24
S1398-2	1 -30
S1398-2	60 -25
S1399-1	56 -45
S1413N1	47 -36
S1413N2	47 -36
S1413N2	47A-36
S1413N2	47B-47
S1413N2	47C-50
S1414-1	47 -40
S1414-1	79 -19
S1414N1	47 -40
S1414N1	47A-40
S1414N1	79 -19
S1415-1	1 -31
S1430-4	41 -39
S1433-2	53 - 3
S1438-9	70A-11
S1441-1	1 -32
S1441-2	1 -32
S1441-2	38 -37
S1441-2	60 -47
S1441-2	60A-43
S1441-3	1 -32
S1450-14A20-016	79 -40
S1450-14A20-016	79A-34
S1450-3-10-032	70A-51
S1450-3A14-050	50 - 8
S1450-3D9-032	36A-46B
S1450-3D9-032	36B-50
S1450-4A10-071	18 - 1A
S1450-4A10-071	19 - 1A
S1450-4A11-063	50 - 4
S1450-4H12-050	52 -11
S1450-4H12-050	86 -49
S1450-5-12-035	32 -24A
S1450-5-12-035	32 -28
S1450-5-14-063	50 -16
S1450-5-18-063	56 - 5
S1470N10	47 -30
S1483-1	38 - 7
S1483-1	38A- 7
S1483-2	38 - 7
S1483-2	38A- 7
S1485D10U	56 - 9
S1485D10U	56 -52
S1485D20U	60 -34
S1485D20U	60A-23
S1485D3U	56 -22
S1485D3U	60 - 6

PART NUMBER	FIGURE AND INDEX NO.	PART NUMBER	FIGURE AND INDEX NO.	PART NUMBER	FIGURE AND INDEX NO.
S1485D3U	60 -26	S1600	2C-40	S1714-1	2B-11
S1485D3U	60A- 7	S1600	2D-39	S1714-1	2C-10
S1485D8U	56 -27	S1601-16	69 -50	S1714-1	2D- 9
S1485D8U	56 -54	S1605-3	47 -38	S1743-2	75 - 3
S1486DG8L	78 - 2A	S1605-3	47A-38	S1746AA2	50A-45
S1494-10	79 -17	S1605-3	47B-49	S1746AA2	50A-45
S1494-10	79A-20	S1605-3	47C-52	S1746A2	50A-45
S1494-14	79 -18	S1611-1	1 -34	S1746BB2	50A-45
S1494-14	79A-21	S1611-1	21 -33	S1746B15	50A-22
S1494-6	67 -16	S1611-1	21A-33	S1746B2	50A-45
S1494-6	68 - 7	S1613-08-75	36A-40	S1746B2	50B-35
S1494-6	68 -41	S1613-08-75	36B-40	S1746CC2	50A-45
S1494-7	68 -22	S1613-08-75	86 -15	S1746CC2	50B-35
S1494-8	23 -17	S1614	1 -45	S1746C2	50A-45
S1494-8	74 - 2	S1618B3	50A-45	S1746DD2	50A-45
S1494-9	68 -30	S1622B6	50A-22	S1746D2	50A-45
S1494-9	68 -56	S1627-15	48 -21	S1746EE2	50B-35
S1495-10	1 -33	S1627-15	48A-16	S1746FF2	50B-35
S1495-10	64 -42	S1628-329	33 -23	S1746F2	50A-45
S1495-10	79 - 8	S1630-4	56 -14	S1746GG2	50B-35
S1495-10	79A-10	S1631-7	39 -11	S1746G2	50A-45
S1495-4	1 -33	S1635-1	1 -35	S1746HH2	50B-35
S1495-4	68 -18	S1635-2	1 -35	S1746H2	50A-45
S1495-4	68 -19	S1635-3	1 -35	S1746L2	50A-45
S1495-4	79 - 5	S1636-1	1 -36	S1746P2	50A-45
S1495-4	79 - 6	S1636-2	1 -36	S1746R2	50A-45
S1495-4	79A- 7	S1636-3	1 -36	S1746S2	50A-45
S1495-4	79A- 8	S1637-1	1 -37	S1746T2	50A-45
S1495-6	1 -33	S1637-1	84 -16B	S1746U2	50A-45
S1495-6	68 -29	S1637-2	1 -38	S1746W2	50A-45
S1495-6	68 -52	S1638-1	1 -39	S1746W2	50A-45
S1495-6	68 -53	S1638-1	84 - 8	S1746Z2	50A-45
S1495-6	68 -54	S1638-1	84 -16	S1748-1	47 -53
S1495-6	68 -61	S1638-1	84 -16	S1748-1	47A-53
S1495-6	68 -62	S1638-1	84 -16A	S1748-1	47B-70
S1495-6	76 - 5	S1638-2	1 -40	S1771-1	47 -49
S1495-6	79 - 3	S1638-2	84 -15	S1771-1	47A-49
S1495-6	79 - 4	S1638-2	84 -20	S1771-1	48B-11
S1495-6	79 -30	S1638-2	84 -20	S1771-3	70A- 2
S1495-6	79A- 5	S1638-2	84 -20A	S1776-1	26 -16
S1495-6	79A- 6	S1640-12	1 -41	S1776-1	26A-15
S1495-6	79A- 9	S1640-15	1 -41	S1776-1	73 -21
S1495-6	79A-26	S1640-6	1 -41	S1777-1	47 -51
S1495-6	#	S1640-9	1 -41	S1777-1	47A-51
S1495-6	#	S1641-12	1 -42	S1777-1	56 -46
S1495-8	1 -33	S1641-15	1 -42	S1791-1	47 -52
S1497-4	68 -20	S1641-6	1 -42	S1791-1	47A-52
S1497-4	79 -10	S1641-6	80 -52	S1791-1	68 -15
S1497-4	79A-13	S1641-9	1 -42	S1791-1	68 -49
S1497-6	68 -55	S1661-2	47 -49	S1793-1	68 - 6
S1497-6	79 - 9	S1661-2	47A-49	S1793-1	68 -40
S1497-6	79 - 9A	S1661-2	48B-11	S1793-2	68 -57
S1497-6	79A-11	S1661-2	69 -46	S1794-1	67 -16
S1500	2A-36	S1674-1	61 -21	S18-30	64 - 4
S1500	2B-40	S1675-1	61 -20	S1800-1	68 - 3
S1500	2C-40	S1685-3	38 -54	S1800-1	68 - 5
S1500	2D-39	S1685-3	38A-58	S1800-1	68 -12
S1517-11	56 -55	S1685-3	41 -14	S1800-1	68 -13
S1554-3	81A- 6	S1690-1-1	48 -11	S1800-1	68 -14
S1554-3	81B- 9	S1693-1	79 - 9B	S1800-1	68 -25
S1559-2	85 - 6	S1693-1	79 -30A	S1800-1	68 -26
S1571-8-10	51 - 2	S1693-1	79A-12	S1800-1	68 -27
S1573-3	77 - 2	S1693-1	79A-27	S1800-1	68 -37
S1579-1	80 - 5	S1693-3	79 -28	S1800-1	68 -39
S1579-2	80 - 5	S1693-3	79A-24	S1800-1	68 -46
S1588-1	12 -19	S1710-1	67 -26	S1800-1	68 -47
S1588-1	13 -15	S1711-1	78 -10	S1800-1	68 -48
S1592-2A	67 -15	S1713-1	2 - 8	S1800-1	68 -58
S1596-60L	48 -14	S1713-1	2A- 8	S1800-1	68 -59
S1596-60L	48A-11	S1713-1	2B-12	S1800-1	68 -63
S1596-60L	48B-13	S1713-1	2C-11	S1803-2	68 -32
S1596-60L	48C- 8	S1713-1	2D-10	S1805-1	68 -34
S1600	2A-36	S1714-1	2 - 9	S1807-1	80 - 9
S1600	2B-40	S1714-1	2A- 7	S1807-1	80 -38



MODEL 150 & A150

PART NUMBER	FIGURE AND INDEX NO.
S1810-1075	36 -14
S1810-1075	75 - 5
S1810-1075	75 -18
S1819-3	15 -15
S1819-3	16 -13
S1823-3	32 -13
S1826-2	68 -33
S1828-3	68 -34
S1828-4	68 -31
S1833-1	38 -25
S1843-1	48A- 9
S1843-1	48B- 1
S1843-1	48C- 1
S1843-1	48 -11A
S1860-2A	4 - 3
S1860-2A	5 - 5
S1860-2A	5 - 9
S1860-2A	6 - 5
S1860-2A	7 - 5
S1860-2A	7 - 9
S1860-2A	26 -72
S1860-2A	26A-71
S1861-6	79 -42
S1861-6	79A-37
S1862-1	21 -28
S1862-1	22 -26
S1862-1	30 -21
S1862-1	47 -15
S1862-1	47A- 9
S1862-1	84 -12
S1862-1A	21A-27
S1862-1A	21A-28
S1862-1A	47C-12
S1862-2	24 -11
S1862-2	24A-10
S1862-2	54 - 4
S1862-2A	18 -33
S1863-1	26A-65
S1863-1	26A-66
S1863-2	8 -26
S1863-2	9 -26
S1863-2	21 -29
S1863-2	30 -24
S1863-2	47 -15
S1863-2	47A- 9
S1863-2	47B- 9
S1863-2	47C-10
S1863-2	55A-27
S1863-2A	18 -47
S1863-2A	21A-11
S1863-2A	30 - 9
S1863-2A	36A-41
S1863-2A	47C-13
S1863-2A	81A-17
S1863-2A	81B-23
S1863-3	24 -10
S1863-3	24A- 9
S1863-3	26 -21
S1863-3	26A-20
S1863-3	29 -15
S1863-3	29 -64
S1863-3	54 - 3
S1863-3A	4 -18
S1863-3A	5 -27
S1863-3A	7 -31
S1863-3A	8 - 4
S1863-3A	8 -13
S1863-3A	8 -34
S1863-3A	9 - 4
S1863-3A	9 -36
S1863-3A	18 -32
S1863-3A	20 -20
S1863-3A	20 -24
S1863-3A	23 -20

PART NUMBER	FIGURE AND INDEX NO.
S1863-3A	26 -62
S1863-3A	26A-61
S1863-3A	27 - 4
S1863-3A	28 - 5
S1863PA2	38A-47
S1866-3	20 - 6
S1876-1	81 -14
S1876-1	81A-18
S1876-1	81B-19
S1880-2	48 - 4
S1880-2	48A- 3
S1891-6	76 - 5
S1892-2A	19 -36
S1893-2A	19 -50
S1893-3A	19 -35
S1894-3	70 -14
S1895-1	49 - 6
S1896-4L1	72 - 8
S1896-4L1	72 -10
S1898-2	41 -18
S1898-4	51 -23
S1906-1	69 -49
S1906-1	70A- 5
S1906-2	69 -41B
S1938-3-68.00	18 -48
S1938-3-68.00	19 -51
S1948-2	41 -33
S1948-2-1	1 -51
S1948-2-10	1 -51
S1948-2-11	1 -51
S1948-2-12	1 -51
S1948-2-13	1 -51
S1948-2-14	1 -51
S1948-2-15	1 -51
S1948-2-16	1 -51
S1948-2-17	1 -51
S1948-2-18	1 -51
S1948-2-19	1 -51
S1948-2-2	1 -51
S1948-2-20	1 -51
S1948-2-3	1 -51
S1948-2-4	1 -51
S1948-2-5	1 -51
S1948-2-6	1 -51
S1948-2-7	1 -51
S1948-2-8	1 -51
S1948-2-9	1 -51
S1950-2E	41 -24
S1957-2	38 -53
S1957-2	38A-57
S1958-1	40 - 3
S1959-1	85 - 2
S1959-1	85A- 3
S1959-1	85A- 6
S1959-2	85A- 9
S1964-3	78 -31
S1974-1	47 -55
S1974-1	47A-55
S1974-1	47B-72
S1974-1	47C-75
S1981-1	47 -52
S1981-1	47A-52
S1981-1	68 -16
S1981-1	68 -50
S1981-3	48 - 4
S1981-3	48A- 3
S1982-1	47 -50
S1982-1	47A-50
S1982-1	47B-68
S1982-1	47C-70
S1985-1	85A- 1
S1991-1	80 -37
S1992-1	27 -18
S1992-1	28 -21

PART NUMBER	FIGURE AND INDEX NO.
S1994-1-1	48A- 9
S1994-1-1	48B- 1
S1994-1-1	48C- 1
S1994-1-1	48 -11
S1994-1-1	48B- 3
S1995-4	48C- 3
S1996-1	50A-13
S1996-7	50A-13
S1996-7	50B- 6
S2000B270J	48B- 3
S2000B270J	48C- 3
S202RB	1 -16
S202RB	30 -12
S202VW	1 -16
S202VW	3 -46
S202VW	29 -85
S202VW	29 -86
S2024-1	60 -48
S2024-1	60A-44
S2029-1	50A- 1
S2074-1	50A- 6
S2074-1	50A- 7
S2076-1	50A-10
S2081-1	50A-12
S2081-2	50A-12
S2090-1	51 -15
S2091-5	48B- 3
S2091-5	48C- 3
S2092-3	1 -49
S2092-3	42 - 6B
S2092-3	42A- 7
S2092-3	47B- 3
S2092-3	47B-21
S2092-3	47B-24
S2092-3	47C- 3
S2092-3	47C-27
S2092-3	73A-22
S2092-4	1 -50
S2092-4	47B-16
S2092-4	47B-22
S2093-2	82 -21
S2093-3	47B- 6
S2106-2	14 - 1
S2107-1	14 - 3
S2108-1	38 -26B
S2108-1	38A-27
S2108-2	81B-14
S2114-1	82 -20
S2114-2	82 -22
S2122-1	48 -14
S2122-1	48A-11
S2122-1	48B-18
S2122-1	48C-13
S2122-2	48 -14
S2122-2	48A-11
S2127-21.69	4 - 6
S2127-21.69	5 -12
S2127-21.69	6 -12
S2127-21.69	7 -14
S2127-35.56	6 -11
S2127-35.56	7 -15
S2135-1	47 -69
S2135-1	47A-57
S2135-1	47B-64
S2135-1	47C-67
S2160-1	48 - 7
S2160-1	48 - 7
S2160-1	48A- 6
S2160-1	48B- 9
S2160-1	48C- 4
S2160-4	48 - 8
S2160-4	48A- 7
S2160-4	48B-10
S2160-4	48C- 5

PART NUMBER	FIGURE AND INDEX NO.
S2160-5	48A- 7
S2160-5	48B-10
S2160-5	48C- 5
S2161-1	48 - 7
S2161-1	48A- 6
S2161-1	48B- 9
S2161-1	48C- 4
S2161-2	48 - 8
S2161-2	48A- 7
S2161-2	48B-10
S2161-2	48C- 5
S2191-8-4	32 -39
S2191-8-4	36A-27
S2191-8-4	36B-27
S2195-2	38 -26A
S2195-2	38A-26
S2199-5	50A-35
S2199-5	50B-25
S2199-6	50A-35
S2199-6	50B-25
S2209-1	80 -10
S2209-1	80 -38
S2209-2	47 -70
S2209-2	47A-58
S2209-2	47B-66
S2209-2	47C-69
S2226-2	56 -47
S2226-2	56 -52
S2230-1	52A- 1
S2234-1	47B-45
S2234-1	47C-48
S2234-2	47B-45
S2234-2	47C-48
S2249-1	38A-25
S225-1	3 -25
S225-1	3 -26
S225-1	18 -42
S225-1	19 -45
S225-1	23 - 4
S225-2	3 -27
S225-3	16 -35
S225-7	3 -28
S225-9	23 -21
S2255-1	44C- 4A
S2255-1	44D- 5
S2275AA104	50A-23
S2275AA104	50A-23
S2275AA202	50A- 4
S2275AA202	50A- 4
S2275A104	50A-23
S2275A202	50A- 4
S2275BB104	50A-23
S2275BB202	50A- 4
S2275CC104	50A-23
S2275CC104	50B-15
S2275CC202	50A- 4
S2275CC202	50B- 1
S2275C104	50A-23
S2275C202	50A- 4
S2275DD104	50A-23
S2275DD202	50A- 4
S2275D104	50A-23
S2275D202	50A- 4
S2275EE104	50B-15
S2275EE202	50B- 1
S2275FF104	50B-15
S2275FF202	50B- 1
S2275F104	50A-23
S2275F202	50A- 4
S2275GG104	50B-15
S2275GG202	50B- 1
S2275G104	50A-23
S2275G202	50A- 4
S2275HH104	50B-15

PART NUMBER	FIGURE AND INDEX NO.
S2275HH202	50B- 1
S2275H104	50A-23
S2275H202	50A- 4
S2275L104	50A-23
S2275L202	50A- 4
S2275P104	50A-23
S2275P202	50A- 4
S2275R104	50A-23
S2275R202	50A- 4
S2275S104	50A-23
S2275S202	50A- 4
S2275T104	50A-23
S2275T202	50A- 4
S2275U104	50A-23
S2275U202	50A- 4
S2275W104	50A-23
S2275W202	50A- 4
S2275Z104	50A-23
S2275Z202	50A- 4
S2289-2	26A-60
S2289-2	78 - 5A
S237-2	4 -54
S237-2	5 -68
S237-2	6 -63
S237-2	6 -65
S237-2	7 -72
S237-2	8 -11
S237-2	9 -11
S237-2	18 -39
S237-2	19 -42
S237-2	26 -24
S237-2	26A-23
S237-2	30 -20
S237-2P	24 -45
S237-2P	24A-50
S237-4	16 -34
S290-832	59 -43
S290-832	59A-51
S290D832	3 -43
S292-1	1 -17
S292-11	1 -17
S292-12	1 -17
S292-14	1 -17
S292-16	1 -17
S292-16	80 - 2
S292-2	1 -17
S292-28	1 -17
S292-3	1 -17
S292-4	1 -17
S292-5	1 -17
S292-6	1 -17
S292-8	1 -17
S329	3 -29
S330-2	4 -56
S330-2	5 -70
S330-2	6 -61
S330-2	7 -74
S338-1	65 -10
S338-1	65 -33
S338-1	66 - 9
S338-1	66 -48
S338-1	71 -26
S338-1	71 -27
S339-1	65 - 9
S339-1	65 -34
S339-1	66 - 9
S339-1	66 -48
S339-1	71 -26
S339-1	71 -28
S350	12 -18
S350	13 -15
S354-3	76 -60

PART NUMBER	FIGURE AND INDEX NO.
S355	18 -29
S355	19 -32
S378-1L	72 -16
S378-2	69 - 5
S378-2	69 -10
S378-2	69 -22
S378-2	69 -22A
S378-3	65 -12
S378-3	65 -19
S378-3	66 -29
S378-3	69 -19
S378-3	71 -22
S378-3	71 -34
S378-3	86 -32
S378-4	65 - 5
S378-4	66 - 2
S51-10	1 -15
S51-10	56 -10
S51-12	1 -15
S51-16	1 -15
S51-32	1 -15
S51-4	1 -15
S51-6	1 -15
S51-8	1 -15
S8S	67 -10
S8S	67 -31
TS33-30	62 -11
TVA-1315	47B-66
TVA-1315	47C-69
TY-42	86 - 1
XH99608F1099	38 -52
XH99608F1099	38A-54
X26263	80 -31
X5133-21	62 -14
X5133-21	62 -19
O-200A	56 -
O1	50 -41
O310196-13	61 -17
O310295	19A- 2
O310297-1	19A- 3
O310298-1	19A- 4
O310332	19A- 7
O310362-5	19A-13
O310422-1	19A- 9
O311240-17	12 - 4
O311240-17	13 - 8
O311310	44 -23
O311310	44A-23
O311310	44B-28
O311310	44C-31
O311310	44D-63
O311310	45 -28
O311310	45A-26
O311310	45B-31
O311310	45C-32
O311310	45D-64
O311360-4	12 -15
O311360-4	13 - 6
O311360-5	12 -16
O311360-5	13 - 7
O311586	44 -24
O311586	44A-24
O311586	44B-29
O311586	44C-32
O311586	44D-65
O311586	45 -29
O311586	45A-27
O311586	45B-32
O311586	45C-33
O311586	45D-66
O311644	44 -14
O311644	45 -19
O312155-10	80 -19
O400028-4	50 -22

PART NUMBER	FIGURE AND INDEX NO.
0400028-7	50 -21
0400106-83	76 -65
0400107-105	71 -16
0400107-109	71 -17
0400107-121	66 -35
0400107-128	72 -30
0400107-130	72 -29
0400107-141	66 - 1
0400107-145	69 - 1
0400107-146	69 - 2
0400107-149	65 - 1
0400107-150	65 - 1
0400107-151	86 -24
0400107-155	72 -28
0400107-156	72 -27
0400107-157	72 -30
0400107-21	66 -35
0400107-28	72 -30
0400107-30	72 -29
0400107-41	66 - 1
0400107-45	69 - 1
0400107-46	69 - 2
0400107-49	65 - 1
0400107-5	71 -16
0400107-50	65 - 1
0400107-55	72 -28
0400107-56	72 -27
0400107-57	72 -30
0400107-9	71 -17
0400118-11	42 - 3
0400118-3	# 41 - 1
0400119-1	# 43 - 9
0400119-2	# 43 -18
0400123-1	# 41 - 2
0400129-16	# 42 - 9
0400129-20	42 -10
0400129-56	# 42 - 8
0400129-58	□ 42 - 7
0400129-60	# 42 - 2
0400129-62	# 42 - 1
0400129-65	# 42 -11
0400129-68	□ 42 - 1
0400129-72	□ 42 - 2
0400131-1	46 - 5
0400134-5	□ 46 -11
0400136-6	# 46 - 8
0400136-9	# 46 - 8
0400138-1	□ 46 - 2
0400138-2	□ 46 - 3
0400141-1	41 - 9
0400207-1	41 - 6
0400207-2	41 - 5
0400209-2	29 -83
0400211-6	2 -21
0400211-6	2A-25
0400211-6	2B-28
0400211-6	2C-28
0400211-6	2D-27
0400211-6	47 -27
0400211-6	47A-27
0400213-6	2A-12
0400213-6	2B-16
0400213-6	2C-16
0400213-6	2D-15
0400213-6	51A-13
0400215-1	84 - 9
0400311-100	76 - 6
0400311-101	76 -63
0400311-102	76 -62
0400311-103	56 -53
0400311-103	76 -64
0400311-104	76 - 1
0400311-105	76 - 1
0400311-106	36A- 7

PART NUMBER	FIGURE AND INDEX NO.
0400311-107	36A- 7
0400311-108	36A- 7
0400311-108	36B- 8
0400311-109	36A- 7
0400311-109	36B- 8
0400311-110	76 -15
0400311-111	76 -26
0400311-112	76 -13
0400311-113	76 -12
0400311-114	78 -12
0400311-116	76 -63
0400311-117	76 -62
0400311-118	76 -26A
0400311-57	76 -34A
0400311-58	76 -32
0400311-59	76 -15
0400311-61	76 -12
0400311-62	76 -13
0400311-63	76 -26
0400311-64	76 - 9
0400311-65	76 -10
0400311-78	78 -12
0400311-79	76 -34
0400311-86	76 - 1
0400311-87	76 - 1
0400311-88	79 -44
0400311-88	79A-39
0400311-95	76 -55
0400311-95	77 -16
0400311-96	75 -13
0400311-97	75 -12
0400311-98	75 - 9
0400311-99	36 - 9
0400311-99	75 -17
0400312-1	61 -14
0400329-1	41 - 7
0400339-1	47A-20
0400339-1	47B-28
0400339-1	47C-31
0401013-5	73A-17
0401218-10	2C-36
0401218-10	2D-35
0401218-12	2C-36
0401218-12	2D-35
0404012-1	2 -43
0404012-2	2 -44
0404013-1	2 -47
0405003-2	2 -37
0405003-2	2A-16
0405003-2	2B-19
0405003-2	2C-18
0405003-2	2D-17
0405004-1	2 -18
0405004-1	47 -20
0405004-2	2 -19
0405004-2	47 -20
0405004-3	2 -18
0405004-3	47 -20
0405007-1	2 -38
0405007-1	2A-17
0405007-1	2B-20
0405007-2	2C-20
0405007-2	2D-19
0405008-1	2 -39
0405008-2	2 -39
0405008-2	2A-18
0405008-2	2B-21
0405008-2	2C-21
0405008-2	2D-20
0405009-1	2 -18
0405009-1	47 -20
0405009-2	2 -19
0405009-2	47 -20
0405009-3	2 -18

PART NUMBER	FIGURE AND INDEX NO.
0405009-3	47 -20
0405009-5	2A-14
0405009-6	2A-15
0405009-6	2B-18
0405009-8	2A-15
0405009-8	2B-18
0405010-1	2 - 5A
0405011-1	2 -53
0405011-1	2A-34
0405011-2	2 -54
0405011-2	2A-35
0405011-6	2A-36
0405013-1	2 -48
0405013-2	2 -49
0405013-3	2 -50
0405013-4	2 -51
0405014-1	2 -45
0405015-1	2 -41
0405016-1	2 -46
0405016-2	2 -46
0405017-1	2 -13A
0405017-2	2 -14A
0405017-3	2 -15A
0405017-4	2 -16
0405018-1	2A- 9
0405018-2	2A-10
0405020-1	2A- 1
0405020-2	2A- 1
0405021-1	2A- 6
0405022-1	2A- 2
0405022-2	2A- 2
0405023-1	2A- 4
0405024-1	2A- 3
0405025-1	2A- 5
0405026-1	2A-13
0405026-1	2B-17
0405026-4	2C-17
0405026-4	2D-16
0405027-1	2A- 9A
0405027-2	2A-10A
0405028-1	2A- 1A
0405028-2	2A- 1B
0405029-1	2A- 2A
0405030-1	2A- 4A
0405030-2	2A- 3A
0405030-3	2A- 5A
0405030-4	2A- 6A
0405030-5	2A- 5B
0405031-1	2B-13
0405031-1	2C-12
0405031-1	2D-11
0405031-2	2B-14
0405031-2	2C-13
0405031-2	2D-12
0405031-9	2C-14
0405031-9	2D-13
0405032-1	2B-39
0405033-1	2B-20A
0405033-1	2C-19
0405033-1	2D-18
0405034-10	2C-25
0405034-10	2D-24
0405034-11	2C-25
0405034-11	2D-24
0405034-12	2C-25
0405034-12	2D-24
0405034-13	2C-27
0405034-13	2D-26
0405034-14	2C-27
0405034-14	2D-26
0405034-15	2C-27
0405034-15	2D-26
0405034-16	2C-27
0405034-16	2D-26

PART NUMBER	FIGURE AND INDEX NO.
0405034-17	2C-27
0405034-17	2D-26
0405034-18	2C-27
0405034-18	2D-26
0405034-3	2C-24
0405034-3	2D-23
0405034-4	2C-26
0405034-4	2D-25
0405034-5	2C-26
0405034-5	2D-25
0405034-6	2C-26
0405034-6	2D-25
0405034-7	2C-25
0405034-7	2D-24
0405034-8	2C-25
0405034-8	2D-24
0405034-9	2C-25
0405034-9	2D-24
0405035-5	2B-37
0405035-6	2B-38
0405036-1	2B-10
0405036-10	2B- 6
0405036-2	2B- 9
0405036-3	2B- 8
0405036-4	2B- 8
0405036-5	2B- 5
0405036-6	2B- 5
0405036-7	2B- 7
0405036-8	2B- 7
0405036-9	2B- 6
0405037-1	2B- 1
0405037-2	2B- 2
0405037-3	2B- 3
0405037-4	2B- 3
0405037-5	2B- 4
0405037-6	2B- 4
0405038-3	2C- 3
0405039-1	2C- 1
0405039-2	2C- 2
0405040-1	2C-37
0405040-1	2D-36
0405040-2	2C-38
0405040-2	2D-37
0405041-1	2C-39
0405041-1	2D-38
0405042-10	2C- 5
0405042-2	2C- 6
0405042-3	2C- 4
0405042-4	2C- 7
0405042-5	2C- 5
0405042-6	2C- 9
0405042-7	2C- 8
0405042-9	2C- 4
0405043-1	2D- 3
0405043-2	2D- 4
0405043-3	2D- 5
0405043-5	2D- 6
0405043-6	2D- 3
0405043-7	2D- 4
0405043-8	2D- 8
0405043-9	2D- 7
0405044-1	2D-40
0409007-2	69 -53
0409007-4	69 -42
0410011-KA3	80 -39
0410011-PA14	80 - 4
0410011-PA8	80 - 3
0410011-PC1	80 -20
0410120-2	24 -18
0410120-2	24A-20
0410126-1	24 -18
0410126-1	24A-20
0410127-1	24 -33
0410127-1	24A-35

PART NUMBER	FIGURE AND INDEX NO.
0410127-2	24 -33
0410127-2	24A-35
0410128-1	24 -21
0410128-2	24 -21
0410129-3	24 -36
0410129-4	24 -36
0410129-7	24 -36
0410129-7	24A-37
0410129-8	24 -36
0410129-8	24A-37
0410130-1	24 -34
0410130-2	24 -35
0410131-1	24 -25
0410131-1	24A-27
0410132-1	24 -19
0410132-1	24A-21
0410132-2	24 -20
0410132-2	24A-22
0410132-3	24A-21
0410132-4	24A-22
0410133-2	24 -24
0410133-2	24A-26
0410134-1	24 -39
0410134-2	24 -40
0410134-3	24 -39
0410134-4	24 -40
0410135-1	24 -22
0410135-1	24A-24
0410135-2	24 -23
0410135-2	24A-25
0410135-3	24 -27
0410135-3	24A-24
0410135-4	24A-25
0410137-1	24 -27
0410137-1	24A-29
0410137-2	24 -28
0410137-2	24A-30
0410202-1	24 -49
0410203-2	24 -46
0410203-3	24 -46
0410204-1	24 -17
0410204-1	24A-19
0410205-1	24 -25
0410205-1	24A-27
0410218-1	2 -33
0410218-10	2A-33
0410218-10	2B-36
0410218-12	2A-33
0410218-12	2B-36
0410218-2	2 -33
0410218-6	2 -33
0410218-6	86 -40
0410218-7	2 -33
0410218-7	86 -40
0410219-1	44 -35
0410219-1	45 -40
0410219-2	44 -35
0410219-2	45 -40
0410229-1	23 - 8
0410229-2	24 -39
0410229-2	24A-44
0410230-2	44A-32
0410230-2	45A-35
0410230-3	44A-32
0410230-3	45A-35
0410230-4	44A-35
0410230-4	45A-38
0410231-1	24 -50
0410231-2	24 -51
0410232-1	44A-41
0410232-1	44B-39
0410232-1	44C-42
0410232-1	44D-73
0410232-1	45A-44
0410232-1	45B-42

PART NUMBER	FIGURE AND INDEX NO.
0410232-1	45C-43
0410232-1	45D-74
0410233-1	24A-55
0410234-1	24A-46
0410235-1	44B-34
0410235-1	44C-37
0410235-1	44D-68
0410235-1	45B-37
0410235-1	45C-38
0410235-1	45D-69
0410235-2	44B-34
0410235-2	44C-37
0410235-2	44D-68
0410235-2	45B-37
0410235-2	45C-38
0410235-2	45D-69
0410235-3	44B-33
0410235-3	44C-36
0410235-3	44D-67
0410235-3	45B-36
0410235-3	45C-37
0410235-3	45D-68
0410235-6	44B-33
0410235-6	44C-36
0410235-6	44D-67
0410235-6	45B-36
0410235-6	45C-37
0410235-6	45D-68
0410236-1	44B-38
0410236-1	44C-41
0410236-1	44D-72
0410236-1	45B-41
0410236-1	45C-42
0410236-1	45D-73
0410236-2	44B-37
0410236-2	44C-40
0410236-2	44D-71
0410236-2	45B-40
0410236-2	45C-41
0410236-2	45D-72
0410237-1	24A-52
0410238-1	24A-38
0410239-1	24A-23
0410246-1	24A-37A
0410246-2	24A-37A
0410247-1	24A-37
0410247-2	24A-37
0411047	64 - 8
0411059-3	47 -13
0411105-1	44 -27
0411105-1	45 -32
0411108-4	29 - 2
0411108-6	29 - 2
0411126-4	24 -63
0411126-5	24 -63
0411126-5	24A-67
0411127-4	24 -65
0411127-4	24A-69
0411127-5	24 -65
0411127-5	24A-69
0411129	27 - 1
0411129	28 - 1
0411131-6	27 - 3
0411131-8	28 - 4
0411132	27 - 8
0411132	28 -11
0411132-1	27 - 9
0411132-1	28 -12
0411141	27 -21
0411141	28 -24
0411144	24 - 5
0411144-1	24 - 5
0411144-1	24A- 4



PART NUMBER	FIGURE AND INDEX NO.
0411174	24 - 6
0411174	24A- 5
0411175	24 - 8
0411175	24A- 7
0411175-8	24 - 9
0411175-8	24A- 8
0411185-7	38 - 6
0411185-7	38A- 6
0411205-1	# 43 - 1
0411205-2	# 43 - 2
0411205-200	# 43 - 6
0411205-201	# 43 - 5
0411209	29 -31
0411210-3	29 -38
0411221-2	64 -17
0411255	64 -18
0411257	64 -12
0411257	64 -13
0411258-1	24 -54
0411258-1	24A-58
0411258-1	64 -47
0411258-1	71 - 1
0411262-1	44 -15
0411262-1	45 -20
0411265-1	44 -18
0411265-1	45 -23
0411265-2	44A-15
0411265-2	44B-15
0411265-2	44C-18
0411265-2	44D-38
0411265-2	45A-18
0411265-2	45B-18
0411265-2	45C-19
0411265-2	45D-39
0411266-1	44 -28
0411266-1	44A-29
0411266-1	44B-23
0411266-1	44C-26
0411266-1	44D-24
0411266-1	45 -33
0411266-1	45A-32
0411266-1	45B-26
0411266-1	45C-27
0411266-1	45D-25
0411267-1	44 -29
0411267-1	44A-30
0411267-1	44B-26
0411267-1	44C-29
0411267-1	44D-21
0411267-1	45 -34
0411267-1	45A-33
0411267-1	45B-29
0411267-1	45C-30
0411267-1	45D-22
0411268-3	44 -19
0411268-3	44A-18
0411268-3	44B-18
0411268-3	44C-21
0411268-3	45 -24
0411268-3	45A-21
0411268-3	45B-21
0411268-3	45C-22
0411276	27 -19
0411276	28 -22
0411276-1	27 -20
0411276-1	28 -23
0411281-4	26 - 8
0411281-4	26 -28
0411281-4	26A-27
0411281-5	26 - 8
0411281-5	26 -26
0411281-5	26A-25
0411281-7	26 - 8
0411281-7	26A- 8

PART NUMBER	FIGURE AND INDEX NO.
0411281-8	26 - 8
0411281-8	26A- 8
0411283	26 -25
0411283	26A-24
0411283-1	26 -27
0411283-1	26A-26
0411286	61 -15
0411288	24 -51
0411288	24A-55
0411289	24 -52
0411289-1	24A-56
0411290	24 -53
0411290	24A-57
0411304-1	25 - 9
0411305-1	25 -10
0411307	61 - 5
0411370	24 -41
0411370	24A-48
0411371	23 - 9
0411421-2	65 -15
0411421-2	71 -25
0411421-6	65 - 8
0411421-6	66 - 8
0411447	30 - 4
0411447	30 -11
0411449	25 -21
0411449	25A-16
0411451	25 -24
0411451	25A-19
0411452	25 -20
0411452	25A-13
0411458	30 - 2
0411458-1	30 - 3
0411479-50	31 - 6
0411481	31 - 7
0411523	72 -35
0411524	72 -37
0411525-1	29 - 4
0411525-2	29 - 5
0411526-1	61 -23
0411526-2	61 -24
0411546-1	44 -38
0411546-1	45 -43
0411549	61 -35
0411550	61 -34
0411563	61 -26
0411564	61 - 8
0411565	61 -30
0411569	24 -50
0411569-1	24 -51
0411573-1	61 -25
0411599-5	42 -12
0411599-5	42A- 9
0411623	43 -10
0411671	25 -23
0411671	25A-18
0411757-1	47 -39
0411778-2	61 - 9
0411783-1	67 -28
0411794-7	43 - 3
0411803-6	76 -17
0411803-8	76 -17
0411818	43 -17
0411836-3	42 -13
0411836-3	42A-10
0411868-4	27 -13
0411868-5	27 -12
0411868-6	28 -16
0411868-7	28 -15
0411870	31 - 5
0411893-1	41 -13
0411899-1	25 - 3
0411900-1	25 - 5
0411900-2	25 - 6

PART NUMBER	FIGURE AND INDEX NO.
0411903-1	25 - 7
0411903-2	25 - 8
0411904-1	25 -17
0411904-2	25 -18
0411905-1	25 -15
0411905-2	25 -16
0411907	27 -28
0411907	28 -30
0411907-1	27 -29
0411907-1	28 -31
0411934-1	29 - 8
0411934-2	29 - 9
0411935-1	43 -12
0411935-2	43 -12
0411936-2	50A- 2
0411938-1	43 -14
0411939-1	24 -43
0411951-10	25A-1A
0411951-5	25 - 1
0411951-6	25 - 2
0411951-7	25 -
0411951-8	25A- 2
0411951-9	25A- 1
0411953-3	24 -60
0411953-3	24A-64
0411953-4	24 -60
0411953-4	24A-64
0411953-5	24 -62
0411953-5	24A-66
0411953-6	24 -61
0411953-6	24A-65
0411955-7	24 -37
0411955-9	24 -37
0411956-10	29 -
0411956-7	29 -
0411956-8	29 - 7
0411956-9	29 - 6
0411958-4	24 -48
0411958-5	24 -48
0411958-6	24A-54
0411959-5	24 -64
0411959-5	24A-68
0411959-6	24 -64
0411959-6	24A-68
0411971-1	42 -13
0411971-1	42A-10
0412007-9	80 - 2
0412008-1	30 -13
0412010-1	30 -15
0412017-1	50A-43
0412017-1	50B-33
0412017-2	50A-43
0412017-2	50B-33
0412018-1	50A-42
0412018-1	50B-32
0412018-2	50A-42
0412018-2	50B-32
0412020-10	29 -73
0412020-11	29 -55
0412020-17	30 -22
0412020-18	29 -51
0412020-19	29 -50
0412020-2	29 -54
0412020-201	29 -
0412020-202	30 -
0412020-203	30 -
0412020-204	29 -
0412020-205	29 -
0412020-206	29 -
0412020-207	30 -
0412020-208	30 -
0412020-21	29 -73
0412020-22	29 -
0412020-24	29 -



PART NUMBER	FIGURE AND INDEX NO.
0412020-25	29 -
0412020-26	29 -78
0412020-27	29 -
0412020-28	29 -80
0412020-29	29 -78
0412020-30	29 -
0412020-34	29 -
0412020-35	29 -
0412020-36	29 -79
0412020-37	29 -79
0412020-38	29 -
0412020-39	29 -
0412020-40	29 -
0412020-41	29 -
0412020-42	29 -54
0412020-43	29 -55
0412020-5	29 -65
0412020-6	29 -66
0412020-7	29 -77
0412020-8	29 -78
0412020-9	29 -80
0412023-1	29 -45
0412023-1	29 -45A
0412024-2	29 -28
0412024-3	29 -28
0412024-4	29 -28
0412025-10	29 -40
0412025-3	29 -41
0412025-4	29 -40
0412025-5	29 -40
0412025-7	29 -41
0412025-8	29 -40
0412026-1	29 -48
0412026-3	29 -48
0412027-3	29 -29
0412027-4	29 -30
0412027-7	29 -29
0412027-8	29 -30
0412028-3	29 -36
0412028-4	29 -37
0412030-3	29 -13
0412030-5	29 -13
0412032-1	3 -44
0412032-2	3 -44
0412033-1	29 -39
0412033-3	29 -34
0412033-4	29 -35
0412033-5	29 -33
0412033-6	29 -33
0412033-9	29 -46
0412033-9	29 -47
0412037-1	29 -70
0412039-1	29 -67
0412039-2	29 -61
0412039-3	29 -52
0412039-4	29 -53
0412039-5	29 -62
0412039-6	29 -68
0412040-2	29 -69
0412041-1	29 -75
0412042-1	29 -74
0412043-3	29 -28
0412043-4	29 -28
0412044-1	29 -56
0412044-1	66 -27
0412044-1	69 -17
0412044-2	29 -57
0412044-2	66 -27
0412044-2	69 -17
0412044-3	29 -58
0412044-3	66 -28
0412044-3	69 -18
0412044-4	29 -59
0412044-4	66 -28

PART NUMBER	FIGURE AND INDEX NO.
0412044-4	69 -18
0412047-2	29 -20
0412047-3	29 -20
0412048-1	25 -22
0412048-1	25A-17
0412049-1	29 -25
0412050-1	29 -26
0412050-2	29 -27
0412050-3	29 -26
0412052-1	29 -60
0412052-2	29 -60
0412054-1	29 -19
0412055-1	29 -20
0412057-1	29 -44
0412058-1	29 -43
0412060-1	29 -14
0412061-1	23 - 5
0412064-1	29 -49
0412065-3	29 -46
0412066-1	24 -29
0412066-1	24A-31
0412066-1	29 -10
0412066-2	24 -30
0412066-2	24A-32
0412066-2	29 -11
0412066-6	24 -32
0412066-6	24A-34
0412066-6	29 -12
0412067-2	29 -16
0412067-3	29 -17
0412067-4	29 -17
0412070-5	41 -40
0412071-1	67 - 5
0412071-2	67 - 5
0412073-1	29 -75
0412074-1	25A-
0412074-2	25A-
0412074-3	25A-
0412076-1	25A-20
0412078-2	29 -42
0412097-1	29 -70
0412121-3	29 -81
0412132	30 - 5
0412168-1	65 -16
0412171-1	29 -18
0412171-1	29 -24
0412173-2	30 - 1
0412173-3	30 - 1
0412173-4	30 - 1
0412174-2	30 -10
0412176-2	30 -19
0412176-3	30 -19
0412177-2	30 - 8
0412184-1	30 -14
0412467	27 -26
0412467	28 -28
0412467	29 -31
0412467	30 - 6
0412469	29 -42
0412509-1	41 -37
0412509-2	41 -38
0412515-1	30 -23
0412515-2	30 -23
0412526-1	29 -44A
0412526-2	29 -44A
0412527-1	20 -33
0412527-2	20 -34A
0412528-1	25A-22
0412529-1	30 - 7A
0412530-1	29 -32B
0412531-1	29 -32A
0412531-2	29 -32A
0412532-1	29 -42A
0412532-2	29 -42A

PART NUMBER	FIGURE AND INDEX NO.
0412533-1	29 -
0412533-2	29 -
0412533-3	29 - 6
0412533-4	29 - 7
0412534-1	29 - 2
0412534-3	29 - 2
0412535-1	29 -70A
0412648	29 -48
0413004-11	26 -11
0413004-11	26A-10
0413004-13	26 - 9
0413004-14	26 -
0413004-16	26 -12
0413004-16	26A-11
0413004-17	26 -
0413004-18	26 -
0413004-19	26 -
0413004-2	26 -12
0413004-20	26 -
0413004-21	26 -
0413004-22	26 -
0413004-23	26 -
0413004-24	26 -
0413004-25	26 -
0413004-26	26 -
0413004-27	26 - 4
0413004-27	26A- 4
0413004-28	26A-
0413004-29	26A-
0413004-30	26A-
0413004-31	26A-
0413004-4	26 -10
0413004-6	26 - 4
0413004-7	26 -
0413028-4	74 - 8
0413028-5	74 - 7
0413028-8	74 - 8
0413032-2	47 -21
0413033-206	38 - 1
0413033-207	38 - 1
0413033-208	38 - 1
0413033-209	38 - 1
0413033-25	38 - 1
0413033-26	38 - 1
0413033-31	38 - 1
0413033-32	38 - 1
0413138	81 -15
0413138	81A-19
0413138	81B-20
0413140-5	81 -21
0413141-1	81 - 8
0413141-1	81A- 9
0413141-1	81B-12
0413157	8 -16
0413157	9 -14
0413163-11	60 -45
0413163-11	60A-41
0413163-18	60 -44
0413163-18	60A-40
0413163-23	60 -40
0413163-23	60A-36
0413163-24	60 -40
0413163-24	60A-36
0413163-43	60 -45
0413163-43	60A-41
0413163-47	60 -43A
0413163-47	60A-39A
0413163-7	60 -43
0413163-7	60A-39
0413163-8	60 -42
0413163-8	60A-38
0413163-9	60 -42
0413163-9	60A-38
0413202-30	29 -32



PART NUMBER	FIGURE AND INDEX NO.
0413203	60 -48
0413213-16	64 -52
0413213-19	64 -52
0413213-21	64 -52
0413213-26	64 -52
0413216-6	64 -51
0413216-6	64 -51
0413216-9	64 -51
0413228	60 -52
0413228	60A-48
0413233	8 -14
0413233	9 -15
0413233	60 -38
0413233	60A-34
0413247	12 -25
0413247	47 -12
0413247	47A- 6
0413247	47B-20
0413247	47C-22
0413257	60 -46
0413257	60A-42
0413304-1	26 -37
0413304-1	26A-36
0413304-2	26 -38
0413304-2	26A-37
0413305-1	26 -13
0413305-1	26A-12
0413305-2	26 -13
0413305-2	26A-12
0413305-3	26 -14
0413305-3	26A-13
0413305-4	26 -14
0413305-4	26A-13
0413325-4	27 -11
0413325-5	27 -10
0413325-6	28 -14
0413325-7	28 -13
0413327-12	24 -14
0413327-12	24A-16
0413327-16	24 -15
0413327-16	24A-17
0413327-17	24 -14
0413327-17	24A-16
0413327-22	24A-17
0413327-23	24A-16
0413327-24	24A-17
0413327-25	24A-16
0413327-9	24 -15
0413327-9	24A-17
0413338	76 -28
0413346-1	26 - 3
0413346-2	26 - 3
0413346-2	26A- 3
0413347-1	60 -53
0413347-1	60A-49
0413351-1	52 - 5
0413351-1	86 - 5
0413351-2	52 - 6
0413351-2	86 - 6
0413352-1	86 - 4
0413370-1	64 -23
0413372-1	64 - 5
0413372-8	64 - 6
0413373-1	64 -28
0413374-1	64 -19
0413375-9	49 -14
0413379	64 -27
0413380-1	64 -32
0413386-1	27 -22
0413386-3	28 -25
0413387-3	39 -
0413387-4	39 -
0413387-6	39 -
0413388-1	39 - 1

PART NUMBER	FIGURE AND INDEX NO.
0413388-3	38 -29
0413388-4	38 -29
0413388-5	38A-30
0413388-6	38A-30
0413389-4	38 -33
0413390-23	38 -12
0413390-23	38A-12
0413390-32	38 -27
0413390-32	38A-28
0413390-34	38 -28
0413390-34	38A-29
0413391-1	26 -22
0413391-1	26A-21
0413391-2	26 -23
0413391-2	26A-22
0413394-1	26 -34
0413394-1	26A-33
0413394-2	26 -35
0413394-2	26A-34
0413395-1	26 -31
0413395-1	26A-30
0413395-2	26 -31
0413395-2	26A-30
0413396-1	26 -30
0413396-1	26A-29
0413396-2	26 -30
0413396-2	26A-29
0413397-2	26 -29
0413397-2	26A-28
0413397-3	26 -29
0413397-3	26A-28
0413399-1	52 - 1
0413399-1	86 -45
0413399-2	52 - 1
0413399-2	86 -45
0413401-1	23 -12
0413402-1	23 -12
0413402-2	23 -14
0413402-6	23 -13
0413406-6	38 -32
0413406-8	38 -38
0413406-8	38A-39
0413410-1	24 -44
0413410-3	24 -44
0413410-5	24A-49
0413410-7	24A-49
0413411-1	27 -32
0413411-3	27 -30
0413411-5	28 -32
0413411-6	28 -34
0413412-1	27 -23
0413412-2	27 -24
0413414-1	39 - 4
0413414-2	39 - 3
0413416-4	67 -11
0413416-4	67 -32
0413416-4	70 - 2
0413416-6	70 - 5
0413416-8	70 - 8
0413419-200	31 - 1
0413419-201	31 -
0413419-203	31 - 1
0413423-1	26 - 6
0413423-2	26 - 7
0413423-5	26 - 6
0413423-5	26A- 6
0413423-6	26 - 7
0413423-6	26A- 7
0413424-2	28 -
0413424-202	27 - 7
0413424-203	27 - 6
0413424-204	28 -10
0413424-205	28 - 9
0413424-3	27 -

PART NUMBER	FIGURE AND INDEX NO.
0413425-1	26 -15
0413425-2	26 -15
0413425-3	26A-14
0413425-4	26A-14
0413426-10	38 -20
0413426-10	38 -20
0413426-10	38A-20
0413426-15	38 -20
0413426-15	38A-20
0413426-16	38 -20
0413426-16	38A-20
0413426-17	38 -17
0413426-17	38A-17
0413426-18	38 -17
0413426-18	38A-17
0413426-3	38 -16
0413426-3	38 -17
0413426-3	38A-16
0413426-4	38 -16
0413426-4	38 -17
0413426-4	38A-16
0413426-5	38 -19
0413426-5	38A-19
0413426-6	38 -19
0413426-6	38A-19
0413426-9	38 -20
0413426-9	38 -20
0413426-9	38A-20
0413427	13 -16
0413427-3	47 -41
0413427-3	47A-41
0413427-3	47B-51
0413427-3	47C-54
0413428-1	38 -49
0413428-1	38A-51
0413428-2	38 -49
0413428-2	38A-51
0413429-1	26 -66
0413429-1	26A-65
0413429-2	26 -67
0413429-2	26A-66
0413429-3	26A-65
0413429-4	26A-66
0413430-1	26 -18
0413430-1	26A-17
0413431-1	86 - 7
0413432-12	86 - 8
0413436-2	75 - 6
0413437-1	31 - 4A
0413437-1	31 -10
0413437-1	51A-20
0413441-1	51A-11
0413445-1	70 - 4
0413446-1	70 - 3
0413447-2	70 - 1
0413449-1	41 -12
0413449-1	70 - 6
0413450-1-294	38 -48
0413450-1-294	38A-48
0413452-1	26 - 5
0413452-1	26A- 5
0413452-1	60 -35
0413452-1	60A-24
0413454-1	47 -16
0413454-3	47 -16
0413457-10	47 -15
0413457-12	47A- 9
0413457-14	47A- 9
0413457-15	47A- 9
0413457-8	47 -15
0413458-1	49 -10
0413458-4	49 -12
0413458-5	49 -13
0413459-1	47 - 9

PART NUMBER	FIGURE AND INDEX NO.
0413459-2	47 - 9
0413459-3	47 - 9
0413459-4	47 - 9
0413459-4	47A- 3
0413459-5	47A- 3
0413459-7	47B-17
0413459-8	47C-19
0413461-12	□ 47 - 1
0413461-13	□ 47 - 7
0413461-14	□ 47 - 7
0413461-15	□ 47 -18
0413461-2	□ 47 - 1
0413461-3	□ 47 -18
0413461-6	□ 47 - 7
0413461-7	□ 47 - 7
0413462-12	48 -13
0413462-12	48A-10
0413462-19	□ 48A- 1
0413462-20	48A- 8
0413462-203	□ 48 - 1
0413462-205	□ 48 - 2
0413462-207	□ 48 - 2
0413462-208	48 - 9
0413462-209	48 -10
0413462-22	□ 48A- 1
0413462-3	48A- 2
0413463-1	□ 42 -14
0413463-1	□ 42A-11
0413463-2	□ 42 -14
0413463-3	48 - 3
0413467-10	□ 47A- 8
0413467-2	□ 47 -21
0413467-3	□ 47 -19
0413467-4	□ 47 -20
0413467-5	□ 47 -14
0413467-6	□ 47 -20
0413467-8	□ 47 -14
0413467-8	□ 47A- 8
0413467-9	□ 47A- 8
0413468-1	26 -45
0413468-1	26A-44
0413469-1	26 -44
0413469-1	26A-43
0413470-1	□ 47 -22A
0413470-1	□ 47A-21
0413470-1	□ 47B-29
0413470-1	□ 47C-32
0413471-2	26 -17
0413474-1	51 - 7
0413475	51 -15
0413475-1	□ 51 -13
0413475-2	□ 51 -13
0413478-1	□ 51 -11
0413479-1	48 -12
0413479-2	48 -13
0413480-2	48A- 5
0413481-1	49 - 1
0413481-6	49 - 1
0413482-1	49 - 4
0413483-1	74 - 1
0413484-17	41 -10A
0413484-21	41 -10A
0413484-26	41 -10A
0413484-7	□ 41 -10
0413485-1	74 - 7
0413485-2	74 - 7
0413487-1	47 -15
0413487-1	47A- 9
0413488-1	24 - 2
0413488-1	24A- 2
0413489-4	□ 41 -11
0413491-1	47 -23
0413491-1	47A-22

PART NUMBER	FIGURE AND INDEX NO.
0413491-1	47B-30
0413491-1	47C-33
0413492-200	24 - 3
0413492-201	24 - 3
0413492-201	24A- 2
0413492-3	24 - 4
0413492-3	24A- 3
0413492-4	24 - 4
0413492-4	24A- 3
0413495-1	24 -12
0413495-1	81 -18
0413495-2	81 -19
0413495-3	81 -20
0413496-1	50A-29
0413496-1	50A-29A
0413496-2	50A-25
0413496-2	50B-17
0413497-1	24 -66
0413497-1	24A-51
0413497-2	24 -66
0413497-2	24A-51
0413498-1	28 -26
0413499-1	24 -67
0413499-1	24A-70
0413499-2	24 -67
0413499-2	24A-70
0413503-1	81 - 9
0413504-1	41 -15
0413504-1	51 -19
0413504-1	51A-16
0413506-1	41 -23
0413507-1	41 -20
0413508-1	28 -37
0413508-2	28 -38
0413509-1	47 -24A
0413509-1	47A-24
0413509-1	47B-32
0413509-1	47C-35
0413510-1	50 -26
0413511-1	26 -39A
0413511-1	26A-38
0413512-1	47 -20
0413512-2	47 -20
0413514-1	47 -59
0413514-9	47 -61
0413516-1	41 -10
0413516-2	41 -11
0413516-3	41 -10B
0413516-4	41 -11B
0413516-5	41 -10C
0413516-6	41 -11C
0413517-15	51A- 3
0413517-3	51A- 9
0413517-5	51A- 5
0413518-1	60A-27
0413521-1	49 - 5A
0413522-1	47 -15
0413522-3	47A- 9
0413522-3	47A- 9
0413522-3	47B- 6
0413523-1	47 -13
0413523-4	47A- 7
0413523-4	47B-21
0413523-4	47C-23
0413525-1	49 -13
0413525-1	49 -10
0413525-10	□ 49 -10
0413526-1	□ 49 -12
0413527-1	□ 47 -19
0413529-1	□ 47A- 1
0413529-10	□ 47A- 2
0413529-11	□ 47A- 2
0413529-12	□ 47A- 1
0413529-3	□ 47A- 2

PART NUMBER	FIGURE AND INDEX NO.
0413529-4	□ 47A- 2
0413529-7	□ 47A-11
0413529-8	□ 47A- 1
0413530-1	31 - 9
0413531-1	□ 47A-13
0413531-28	□ 47A-13
0413532	□ 47 -19
0413532-1	□ 47A-13
0413534-1	47A- 9
0413534-1	47B- 2
0413534-1	47C- 2
0413538-1	47B- 8A
0413538-1	47C- 6
0413540-1	47B- 1
0413540-3	47C- 1
0413541-2	47B-12
0413542-1	47B- 5
0413542-1	47C- 4
0413543-2	47B-10
0413543-2	47C- 8
0413544-11	□ 47C-24
0413544-2	□ 47B-22
0413544-5	□ 47B-16
0413544-9	□ 47C-17
0413545-1	□ 47B-23
0413546-1	□ 49A-
0413546-10	49A- 8
0413546-13	□ 49A-
0413546-14	□ 49A- 5
0413546-2	□ 49A- 5
0413546-9	49A- 4
0413548-1	26A-16
0413550-1	47B-11
0413550-1	47C- 9
0413551-1	47B-74
0413551-2	47B-75
0413551-3	47B-76
0413553-1	□ 47B-25
0413553-2	□ 47B-25
0413553-2	□ 47C-28
0413553-3	□ 47B-25
0413553-3	□ 47C-28
0413554-1	□ 47B-24
0413554-1	□ 47C-27
0413554-4	□ 73A-22
0413555-1	73A-23
0413557-1	47B- 8
0413557-1	47C- 5
0413558-1	47C-11
0413559-1	□ 47C-26
0414001-3	□ 38 -51
0414001-4	□ 38 -51
0414002-1	□ 42 - 4
0414002-2	□ 42 - 5
0414007-1	# 44 -
0414007-14	45 -14
0414007-15	# 44 - 9
0414007-17	# 44 - 5
0414007-18	# 44 - 5
0414007-2	# 44 -
0414007-20	# 44 - 9
0414007-21	# 44 -
0414007-22	# 44 -
0414007-27	# 44 - 5
0414007-28	# 44 - 5
0414007-29	# 44 - 9
0414007-30	# 44 - 9
0414009-11	# 45 -13
0414009-12	# 45 - 7
0414009-13	# 45 - 8
0414009-13	# 45 -13
0414009-14	# 45 - 7
0414009-15	# 45 -

PART NUMBER		FIGURE AND INDEX NO.
0414009-16	#	45 -
0414009-204	#	45 - 3
0414009-205	#	45 - 3
0414009-206	#	45 -12
0414009-207	#	45 -12
0414009-3	#	45 -11
0414009-4	#	45 -11
0414009-5	#	45 - 1
0414009-6	#	45 - 1
0414010-1		41 -16
0414010-5		41 -16
0414010-7		41 -16
0414012-1	□	41 -25
0414012-2		41 -28
0414013-1		81 - 1
0414013-3		81 - 4
0414013-3		81A- 4
0414013-4		81 - 7
0414013-4		81A- 8
0414013-4		81B-11
0414014-1		24 -11B
0414014-1		24A-12
0414014-1		41 -31
0414014-2		24 -11C
0414014-2		24A-13
0414014-2		41 -32
0414015-1		41 -29
0414016-1		41 -21
0414016-2		41 -21
0414017-1		41 -24
0414018-1	□	41 -17
0414018-2	□	41 -19
0414018-4	□	41 -17
0414019-1		41 -42
0414019-2		41 -43
0414020-1		29 -41B
0414020-2		29 -41B
0414021-1		29 -41A
0414021-2		29 -41A
0414022-1		42 -22
0414022-1		42A-24
0414024-1		50A-14
0414024-4		50A-14
0414024-4		50B- 7
0414025-1		44A-22
0414025-1		45A-25
0414026-1	□	38 -51
0414026-15	□	38 -51
0414026-16	□	38 -51
0414026-19	#	38 -51
0414026-2	□	38 -51
0414026-20	#	38 -51
0414026-21	#	42 - 4
0414026-22	#	42 - 5
0414026-27		38 -51
0414026-27		38A-53
0414026-28		38 -51
0414026-28		38A-53
0414026-29		42A- 3
0414026-3	□	42 - 4
0414026-30		42A- 4
0414026-4	□	42 - 5
0414026-5	□	38 -51
0414026-6	□	38 -51
0414026-7	□	38 -51
0414026-8	□	38 -51
0414028-1		42 -10
0414030-1	□	41 -34
0414030-2		41 -34
0414031-1		44 -26A
0414031-1		45 -31A
0414031-2		44 -26B
0414031-2		45 -31B
0414032-1		50A-12

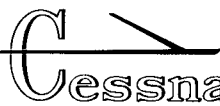
PART NUMBER		FIGURE AND INDEX NO.
0414033-1	#	44A-
0414033-3	#	44A-12
0414033-4		45A-15
0414033-7	#	44A- 5
0414033-8		45A- 6
0414033-8		45B- 6
0414033-8		45C- 5
0414033-8		45D- 5
0414034-1	#	45A-
0414034-12	#	45A- 5
0414034-12	#	45B- 5
0414034-13	#	45A-14
0414034-2	#	45A-
0414034-3	#	45A-13
0414034-4	#	45A-13
0414034-7	#	45A-12
0414034-7	#	45B-12
0414034-8	#	45A-12
0414034-8	#	45B-12
0414035-10		44A-13
0414035-10		45A-16
0414035-15		44A-28
0414035-15		45A-31
0414035-6		44A-14
0414035-6		44B-14
0414035-6		44C-17
0414035-6		45A-17
0414035-6		45B-17
0414035-6		45C-18
0414037-1		47 -59
0414037-1		47A-61
0414037-2		47 -61
0414037-2		47A-62
0414037-3		47A-61
0414038-1		44A- 6
0414038-1		45A- 7
0414038-2		44A- 7
0414038-2		45A- 8
0414039-1		44B- 6
0414039-1		44C- 8
0414039-1		45B- 7
0414039-1		45C- 9
0414039-2		44B- 7
0414039-2		44C- 9
0414039-2		45B- 8
0414039-2		45C-10
0414039-5		44D- 9
0414039-5		45D-10
0414039-6		44D-10
0414039-6		45D-11
0414040-11		44B-13
0414040-11		44C-16
0414040-11		45B-16
0414040-11		45C-17
0414040-15		44B-22
0414040-15		44C-25
0414040-15		45B-25
0414040-15		45C-26
0414040-5		44B-12A
0414040-6		44B-12A
0414041-1	#	44B-
0414041-11	#	44B-
0414041-12	#	44B-
0414041-15	#	44B- 5
0414041-2	#	44B-
0414041-3	#	44B-12
0414041-4		44B-12A
0414041-4		44D- 7
0414041-4		45B-15
0414041-4		45C- 8
0414041-4		45D- 8
0414041-7	#	44B- 5
0414041-9	#	44B-12
0414042-1	#	45B-

PART NUMBER		FIGURE AND INDEX NO.
0414042-2	#	45B-
0414042-3	#	45B-13
0414042-4	#	45B-13
0414042-8	#	45B-14
0414044-1		64 -53
0414045-1		50A-29A
0414045-1		50B-21
0414046-1		25A-23
0414048-1	#	44C-
0414048-11	#	44C- 3
0414048-13	#	44C- 6
0414048-2	#	44C-
0414048-3	#	44C- 1
0414048-4		44C- 7
0414048-4		44D- 7
0414048-6	#	44C- 5
0414048-7	#	44C- 5
0414048-8	#	44C- 4
0414049-1	#	45C-
0414049-2	#	45C-
0414049-3	#	45C- 6
0414049-3	#	45D- 6
0414049-4	#	45C- 1
0414049-4	#	45D- 1
0414049-5	#	45C- 6
0414049-6	#	45C- 6
0414049-9	#	45C- 2
0414049-9	#	45D- 2
0414050-1	#	44C-
0414050-2	#	44C-
0414050-3	#	44C- 5
0414050-4	#	44C- 5
0414050-5	#	44C- 1
0414053-1		44D- 8
0414053-1		45D- 9
0414053-2		44D- 8
0414053-2		45D- 9
0414053-3		44D-32
0414053-3		45D-33
0414053-4		44D-32
0414053-4		45D-33
0414054-10		44D-53
0414054-10		45D-54
0414054-11		44D-46
0414054-11		45D-47
0414054-18		44D-29
0414054-18		45D-30
0414054-19		44D-57
0414054-19		45D-58
0414054-20		44D-14
0414054-20		45D-15
0414054-21		44D-27
0414054-21		45D-28
0414054-22		44D-12
0414054-22		45D-13
0414054-24		44D-23
0414054-24		45D-24
0414054-31		44D-60
0414054-31		45D-61
0414054-35		44D-23
0414054-35		45D-24
0414054-37		44D-39
0414054-37		45D-40
0414054-38		44D-39
0414054-38		45D-40
0414054-40		44D-33
0414054-40		45D-34
0414054-41		44D-33
0414054-41		45D-34
0414054-5		44D-48
0414054-5		45D-49
0414054-7		44D-55
0414054-7		45D-56
0414054-8		44D-54

PART NUMBER	FIGURE AND INDEX NO.
0414054-8	45D-55
0414056-1	44D-
0414056-2	44D-
0414056-3	44D- 5
0414056-4	44D- 5
0414057-1	44D-44
0414057-1	45D-45
0414058-1	45D-
0414058-2	45D-
0414058-3	45D- 6
0414058-4	45D- 6
0414060-1	44C-
0414060-2	44C-
0414060-3	44C- 5
0414060-4	44C- 5
0414060-5	44C- 1
0414060-5	44D- 1
0414060-6	44C- 3
0414060-6	44D- 3
0414060-7	44C- 6
0414060-7	44D- 6
0414060-9	44C- 4
0414060-9	44D- 4
0414061-1	44D-25
0414061-1	45D-26
0414063-1	44C- 4A
0414063-1	44D- 5
0414065-1	44D- 7
0414065-1	45D- 8
0414066-1	44B-27A
0414066-1	44C-30A
0414066-1	45B-30A
0414066-1	45C-31A
0414067-1	81B-14
0414068-1	81B- 1
0414069-1	81B- 7
0414229-5	44 -10
0414229-5	45 -15
0415000-19	42 - 3
0415003-2	47 -21
0415003-4	47A-18
0415003-6	47A-18
0415003-8	47B-27
0415003-8	47C-30
0415004-1	38 -52A
0415004-2	38 -52A
0415004-3	38 -52A
0415004-3	38A-56
0415004-4	38 -52A
0415004-4	38A-56
0415005-1	47A-14
0415005-10	47A-15
0415005-11	47A-14
0415005-12	47A-15
0415005-2	47A-15
0415005-3	47A-14
0415005-4	47A-15
0415005-5	47A-14
0415005-6	47A-15
0415005-7	47A-14
0415005-8	47A-15
0415005-9	47A-14
0415007-1	44B-
0415007-12	44B- 5
0415007-13	44B-12
0415007-17	44C- 4
0415007-18	44C- 7
0415007-2	44B-
0415008-1	45B-
0415008-2	45B-
0415008-23	45B- 5
0415008-23	45C- 4
0415008-23	45D- 4
0415008-24	45B-14

PART NUMBER	FIGURE AND INDEX NO.
0415008-24	#
0415008-24	#
0415008-3	#
0415008-4	#
0415008-5	#
0415008-6	#
0415009-1	#
0415009-2	#
0415009-5	#
0415009-5	#
0415009-6	#
0415009-6	#
0415010-1	50A-11
0415010-1	50B- 5
0415013-2	41 -11A
0415013-4	41 -11A
0415014-1	50A-39
0415014-1	50B-29
0415014-2	50A-40
0415014-2	50B-30
0415015-1	50A-38
0415015-1	50B-28
0415016-2	42B- 1
0415016-3	42B- 2
0415016-4	42B- 3
0415016-5	42B- 4
0415017-1	38A-53
0415017-12	42A- 5
0415017-2	38A-53
0415017-3	42A- 3
0415017-4	42A- 4
0415018-2	38A-35
0415021-12	42 - 6
0415021-13	42 - 7
0415021-13	42A- 8
0415021-15	42A- 5
0415021-16	41 -35
0415021-17	#
0415021-18	42 - 2
0415021-18	42A- 2
0415021-2	#
0415021-2	42 -11
0415021-2	42A-13
0415021-22	#
0415021-23	#
0415021-23	42A-14
0415021-24	42A-13A
0415021-25	#
0415021-28	42A-13C
0415021-29	42A-13D
0415021-3	#
0415021-3	42 - 9
0415021-3	42A-16
0415021-5	#
0415021-5	42 - 1
0415021-6	#
0415021-6	42 - 2
0415021-6	42A- 2
0415021-9	42 - 1
0415021-9	42A- 1
0415021-9	42 - 2
0415021-9	42A- 1
0415022-1	#
0415022-2	#
0415022-2	38A-56
0415023-1	41 -11D
0415023-3	41 -10D
0415024-1	42A- 7A
0415024-2	42A- 4A
0415024-3	38A-55
0415024-4	38A-55
0415024-5	38A-55
0415025-1	47B-26
0415025-1	47C-29
0415025-2	47B-26
0415025-2	47C-29
0415026	42A-13E
0417005-3	40 - 7
0417006-1	39 - 4A
0417006-2	39 - 4B
0417006-3	39 - 3A

PART NUMBER	FIGURE AND INDEX NO.
0417006-4	39 - 4C
0417007-1	38 -24
0417007-1	38A-24
0417008-13	38 - 3
0417008-13	38A- 3
0417008-14	38 - 3
0417008-14	38A- 3
0417008-15	38 - 4
0417008-15	38A- 4
0417008-16	38 - 4
0417008-16	38A- 4
0417008-17	38 - 4
0417008-17	38A- 4
0417008-18	38 - 4
0417008-18	38A- 4
0417008-200	38 - 3
0417008-200	38A- 3
0417008-201	38 - 3
0417008-201	38A- 3
0417008-206	38A- 1
0417008-207	38A- 1
0417008-208	38A- 1
0417008-209	38A- 1
0417008-21	38A- 1
0417008-22	38A- 1
0417008-23	38A- 1
0417008-24	38A- 1
0417010-2	39 -15
0417011-2	38A-33
0417012-1	40 - 8
041811-1	47A-51
041811-2	47A-51
0420015-1	4 -33
0420015-1	5 -45
0420015-1	6 -40
0420015-1	7 -49
0420015-2	4 -34
0420015-2	5 -46
0420015-2	6 -41
0420015-2	7 -50
0420019-1	69 -47
0420030-1	3 -14
0420030-2	3 -14
0420030-3	3 -15
0420030-4	3 -15
0420030-5	3 -14
0420030-6	3 -14
0420030-7	3 -15
0420030-8	3 -15
0420034-1	3 -47
0421000-1	17 - 1
0421000-2	17 - 1
0421000-7	17 - 1
0421000-8	17 - 1
0421001-1	17 - 8
0421001-2	17 - 8
0421001-3	17 - 8
0421002-1-791	17 -14
0421002-2-791	17 -14
0421002-3-791	17 -14
0421002-4-791	17 -14
0422130	76 - 8
0422229-11	10 -20
0422229-11	11 -24
0422280	15 - 6
0422291	8 - 3
0422291	8 -10
0422291	9 - 3
0422291	9 -10
0422292	8 - 8
0422292	9 - 8
0422293-1	4 -35
0422293-1	5 -41
0422293-1	6 -36



PART NUMBER	FIGURE AND INDEX NO.
0422293-1	7 -45
0422293-2	4 -35
0422293-2	5 -41
0422293-2	6 -36
0422293-2	7 -45
0422293-3	4 -35A
0422293-3	5 -41
0422293-3	6 -36A
0422293-3	7 -45
0422293-4	4 -35A
0422293-4	5 -41
0422293-4	6 -36A
0422293-4	7 -45
0422356-1	67 -20
0422356-2	67 -20
0422357-1	67 -25
0422358-1	67 - 9
0422358-1	67 -24
0422400-14	11 -25
0422401-1	5 -
0422401-10	5 -62
0422401-11	5 -63
0422401-11	7 -67
0422401-12	5 -64
0422401-12	7 -68
0422401-13	5 -65
0422401-14	5 -66
0422401-14	7 -70
0422401-16	7 -66
0422401-17	7 -64
0422401-18	7 -69
0422401-2	5 -58
0422401-205	9 -
0422401-207	9 -23
0422401-209	9 -36
0422401-21	7 -62
0422401-211	9 -23
0422401-213	9 -
0422401-215	5 -
0422401-217	7 -
0422401-22	5 -
0422401-23	7 -
0422401-24	9 -24
0422401-25	9 - 1
0422401-27	5 -
0422401-29	7 -
0422401-3	7 -
0422401-4	9 - 1
0422401-5	9 -24
0422401-6	9 -37
0422401-7	5 -59
0422401-7	7 -63
0422401-8	5 -60
0422401-9	5 -61
0422401-9	7 -65
0422402-1	5 -62
0422402-10	7 -69
0422402-11	5 -58
0422402-12	7 -62
0422402-14	5 -
0422402-16	7 -
0422402-18	5 -
0422402-2	5 -
0422402-20	7 -
0422402-204	9 -
0422402-206	9 -23
0422402-208	9 -36
0422402-3	9 - 1
0422402-4	7 -
0422402-5	9 -24
0422402-6	9 -37
0422402-7	5 -65
0422402-9	7 -66
0422405-1	11 -

PART NUMBER	FIGURE AND INDEX NO.
0422405-10	11 - 1
0422405-2	11 -
0422405-3	11 -
0422405-4	11 -
0422405-5	11 - 2
0422405-6	11 - 2
0422405-7	11 - 2
0422405-8	11 - 2
0422405-9	11 - 1
0422406-1	11 -20
0422406-2	11 -20
0422406-3	11 -17
0422406-4	11 -17
0422407-5	11 -14
0422407-6	11 -14
0422407-7	11 -14
0422407-8	11 -14
0422408-1	5 -49
0422408-2	7 -53
0422409-1	9 -13
0422409-2	9 -13
0422409-3	9 -28
0422409-4	9 -28
0422410-1	5 -21
0422410-1	7 -25
0422410-2	5 -21
0422410-2	7 -25
0422411-1	11 -19
0422411-2	11 -19
0422412-1	11 -16
0422412-2	11 -16
0422413-1	5 -52
0422413-10	7 -56
0422413-11	7 -57
0422413-12	7 -57
0422413-13	7 -59
0422413-14	7 -59
0422413-15	7 -60
0422413-16	7 -60
0422413-2	5 -52
0422413-3	5 -53
0422413-4	5 -53
0422413-5	5 -55
0422413-6	5 -55
0422413-7	5 -56
0422413-8	5 -56
0422413-9	7 -56
0422414-1	11 -18
0422414-2	11 -18
0422415	11 -10
0422415-1	11 -10
0422415-2	11 -10
0422415-3	11 -10
0422416-1	5 -14
0422416-1	7 -17
0422417-1	5 - 7
0422417-1	7 - 7
0422417-2	5 - 8
0422417-2	7 - 8
0422418-1	5 -13
0422418-1	7 -16
0422419-1	5 -38
0422419-1	7 -42
0422419-2	5 -38
0422419-2	7 -42
0422419-3	5 -39
0422419-3	7 -43
0422419-4	5 -39
0422419-4	7 -43
0422419-5	5 -40
0422419-5	7 -44
0422419-6	5 -40
0422419-6	7 -44
0423007-1	3 -36

PART NUMBER	FIGURE AND INDEX NO.
0423008-3-791	4 -62
0423008-3-791	5 -75
0423008-3-791	6 -70
0423008-3-791	7 -79
0423008-4	4 -63
0423008-4	5 -76
0423008-4	6 -72
0423008-4	7 -81
0423008-5	4 -63
0423008-5	5 -76
0423008-5	6 -72
0423008-5	7 -81
0423016-1	66 -34
0423230-8	7 -38
0423541-10	4 -43
0423541-13	4 -39
0423541-14	4 -39
0423541-15	4 -40
0423541-16	4 -40
0423541-19	6 -46
0423541-20	6 -46
0423541-21	6 -47
0423541-22	6 -47
0423541-31	6 -49
0423541-32	6 -49
0423541-33	6 -50
0423541-34	6 -50
0423541-7	4 -42
0423541-8	4 -42
0423541-9	4 -43
0423542-6	83 - 7
0423564-1	3 -36
0423564-2	3 -36
0425142-1	16 -37
0425142-2	16 -37
0426003-18	3 -43
0426003-19	3 -43
0426005-100	6 -
0426005-14	4 -49
0426005-14	6 -56
0426005-211	8 -
0426005-218	8 -34
0426005-219	8 -34
0426005-221	8 -
0426005-223	6 -
0426005-225	4 -
0426005-26	4 -45
0426005-27	4 -49
0426005-31	6 -52
0426005-32	6 -56
0426005-37	8 - 1
0426005-38	4 -
0426005-39	4 -
0426005-40	6 -
0426005-41	6 -
0426005-61	8 -
0426005-91	4 -
0426005-92	6 -
0426005-93	8 - 1
0426005-94	4 -
0426005-96	6 -
0426005-97	4 -
0426005-98	4 -
0426005-99	6 -
0426011-4	3 -24A
0426011-4	12 -36
0426011-4	13 -40
0426013-1	12 -39
0426013-1	13 - 5A
0426013-2	3 -24A
0426013-2	12 -38
0426013-2	13 -41
0426015-1	12 -27
0426015-1	13 -31

PART NUMBER	FIGURE AND INDEX NO.
0426015-10	12 -34
0426015-10	13 -38
0426015-4	12 -33
0426015-4	13 -37
0426015-5	12 -32
0426015-5	13 -36
0426015-6	12 -31
0426015-6	13 -35
0426015-8	12 -30
0426015-8	13 -34
0426015-9	12 -29
0426015-9	13 -33
0426208-1	13 -12
0426209-2	4 -61
0426209-2	5 -74
0426209-2	6 -69
0426209-2	7 -78
0426209-4	4 -61
0426209-4	5 -74
0426209-4	6 -69
0426209-4	7 -78
0426300	10 -
0426300-1	10 -
0426300-2	10 - 2
0426300-3	10 - 2
0426300-6	10 -
0426300-7	10 -
0426306	10 -14
0426306-1	10 -14
0426307	10 -11
0426307-1	10 -11
0426400-12	10 -22
0426400-12	11 -26
0426400-13	10 -22
0426400-13	11 -26
0426400-14	10 -21
0426400-15	10 -17
0426400-16	10 -17
0426400-17	10 -19
0426400-18	10 -19
0426400-19	11 -22
0426400-20	11 -22
0426400-21	11 -20
0426400-22	11 -20
0426400-23	11 -20
0426400-24	11 -20
0426400-25	10 -19
0426400-26	11 -22
0426400-27	10 -17
0426400-28	10 -17
0426400-29	11 -20
0426400-30	11 -20
0426400-31	10 -19
0426400-32	10 -19
0426400-33	11 -22
0426400-34	11 -22
0426400-35	10 -17
0426400-36	10 -17
0426400-37	10 -17
0426400-38	10 -17
0426400-39	11 -20
0426400-40	11 -20
0426400-41	11 -20
0426400-42	11 -20
0426400-8	10 -17
0426400-9	10 -17
0426506	4 - 5
0426506	5 -11
0426506	6 -10
0426506	7 -12
0426506-1	6 - 9
0426506-1	7 -13
0426506-2	5 -11
0426506-2	7 -12

PART NUMBER	FIGURE AND INDEX NO.
0426506-3	7 -13
0426507	4 - 3
0426507	6 - 3
0426507-1	4 - 3
0426507-1	6 - 3
0426507-6	5 - 3
0426507-6	7 - 3
0426507-7	5 - 3
0426507-7	7 - 3
0426508-203	12 - 1
0426508-204	12 - 1
0426508-21	12 - 1
0426508-22	12 - 1
0426511-18	3 -14
0426511-19	3 -14
0426511-6	3 -14
0426511-7	3 -14
0426512	4 - 7
0426512	4 - 7A
0426512	5 -10
0426512	5 -10A
0426512	12 - 5
0426512	12 - 6
0426512-12	6 - 7
0426512-5	12 - 5A
0426512-5	12 - 6A
0426512-6	7 -10
0426512-6	13 -26
0426512-8	13 -27
0426515-2	4 -31
0426515-2	5 -47
0426515-3	4 -31
0426515-3	5 -47
0426515-4	4 -32
0426515-4	5 -48
0426515-5	4 -32
0426515-5	5 -48
0426516-1	3 -15
0426516-15	3 -15
0426516-16	3 -15
0426516-2	3 -15
0426517-1	12 -17
0426517-2	13 -14
0426519-1	13 - 1
0426519-19	13 - 1
0426519-2	13 - 1
0426519-20	13 - 1
0426522-1	5 - 9
0426522-1	7 - 9
0426522-2	5 - 9
0426522-2	7 - 9
0426901-10	16 -32
0426901-11	16 -32
0426901-12	16 -31
0426901-13	16 -31
0426901-14	16 -38
0426901-15	16 -14
0426901-16	16 -14
0426901-17	16 -38
0426901-6	16 -33
0426901-7	16 -33
0426908	16 -21
0426908-1	16 -21
0430004-10-791	20 -41
0430004-11-791	18 -43
0430004-11-791	19 -46
0430011-1	21A-29
0430011-2	22A-13
0430011-3-791	84 -10
0431001-30	20 -21
0431001-31	20 -19
0431004-10	21 - 6
0431004-10	21A- 6
0431004-11	21 - 5

PART NUMBER	FIGURE AND INDEX NO.
0431004-11	21A-12
0431004-12	21 -20
0431004-12	21A-15
0431004-13	21 -21
0431004-13	21A-16
0431004-14	21 -22
0431004-14	21A-17
0431004-15	21 -23
0431004-16	21 -24
0431004-17	22 -13
0431004-18	21 -12
0431004-18	21A-14
0431004-19	21 -13
0431004-2	21 -
0431004-20	21 -17
0431004-21	22 -37
0431004-21	22A-38
0431004-22	22 -35
0431004-22	22A-36
0431004-23	22 -34
0431004-23	22A-37
0431004-24	22 -19
0431004-24	22A-34
0431004-25	22 -18
0431004-25	22A-33
0431004-26	22 -16
0431004-26	22A-31
0431004-27	22 -21
0431004-34	22 -23
0431004-35	21 -26
0431004-36	22 -14
0431004-37	22 -17
0431004-37	22A-32
0431004-38	21 - 4
0431004-39	21 -
0431004-4	21 - 3
0431004-41	22 -
0431004-43	22 -20
0431004-48	21A-18
0431004-5	21 - 4
0431004-6	22 - 5
0431004-7	22 -15
0431004-9	21 -11
0431005-1	22 -38
0431005-1	22A-39
0431007-4	22 -36
0431007-4	22A-35
0431008-1	21 - 9
0431008-2	21 -10
0431009-2	21 -18
0431009-3	21 -18
0431009-3	21A-23
0431010-1	21 -14
0431010-2	21 -16
0431010-2	21A-22
0431010-7	21 -15
0431010-7	21A-21
0431013-1-791	22 -25
0431013-3-791	21 -27
0431014-1	21 -30
0431015-5	18 -45
0431015-5	19 -48
0431015-6	18 -46
0431015-6	19 -49
0431015-7	18 -45
0431015-7	19 -48
0431015-8	18 -46
0431015-8	19 -49
0431017-1-791	84 -10
0431017-2	84 -13
0431020-2	86 -15
0431022-2	21 - 7
0431022-2	21A-13
0431023-1	21 -31



PART NUMBER	FIGURE AND INDEX NO.
0431023-1	21A-31
0431024-1	21 -35
0431024-1	21A-34
0431028-1	22 -12
0431028-1	22A-12
0431028-2	22 -11
0431028-2	22A-11
0431028-3	22 -10
0431028-3	22A-10
0431028-4	22 - 9
0431028-4	22A- 9
0431028-5	22 - 8
0431028-5	22A- 8
0431028-6	22 - 7
0431028-6	22A- 7
0431032-1	21A-
0431032-10	21A-28
0431032-13	21A- 7
0431032-15	21A- 8
0431032-16	21A- 8
0431032-17	21A-19
0431032-2	21A-
0431032-3	21A- 4
0431032-4	21A- 4
0431032-5	21A- 5
0431032-6	21A-27
0431032-8	21A-26
0431032-9	21A-25
0431033-1	21A-20
0431034-1	21A- 9
0431034-2	21A-10
0432001-10	18 -23
0432001-11	18 -22
0432001-12	18 -30
0432001-15	18 - 9
0432001-15	19 - 9
0432001-16	18 -41
0432001-19	18 -16
0432001-19	19 -18
0432001-20	18 -16
0432001-20	19 -18
0432001-21	20 -11
0432001-21	20 -25
0432001-22	20 -17
0432001-23	20 -16
0432001-24	20 - 9
0432001-26	20 -30
0432001-27	20 -31
0432001-30	20 -32
0432001-33	20 -26
0432001-34	20 -18
0432001-35	20 -28
0432001-36	20 -29
0432001-37	18 -20
0432001-41	18 -21
0432001-41	19 -19
0432001-42	20 -17
0432001-43	18 -25
0432001-43	19 -28
0432001-44	18 -40
0432001-46	18 -18
0432001-46	19 -23
0432001-5	20 -27
0432001-51	20 - 6
0432001-52	20 - 6
0432001-53	18 -31
0432001-53	19 -34
0432001-54	18 -38
0432001-55	18 -37
0432001-56	18 - 8
0432001-56	19 - 8
0432001-57	20 -24
0432001-59	18 -
0432001-6	18 -17

PART NUMBER	FIGURE AND INDEX NO.
0432001-6	19 -22
0432001-61	19 -
0432001-62	19 -44
0432001-63	19 -43
0432001-64	19 -41
0432001-65	19 -40
0432001-66	19 -16
0432001-67	19 -17
0432001-68	19 -25
0432001-69	19 -26
0432001-70	19 -33
0432001-71	20 - 9
0432001-8	18 -14
0432001-9	18 -15
0432003-1	18 -36
0432003-1	19 -39
0432004-1	18 -10
0432004-1	19 -10
0432004-9	18 -10
0432004-9	19 -10
0432005-1	18 - 5
0432005-1	19 - 5
0432005-2	18 - 6
0432005-2	19 - 6
0432006-1	19 -21
0432007-1	19 -14
0432007-2	19 -15
0432007-3	19 -20
0432134-1	72 - 5
0432138-1	72 -14
0432138-8	72 -15
0432163-3	20 -35
0432165-1	18 -34
0432165-1	19 -37
0432166-3	20 - 1
0432166-5	20 - 1
0432168-5	20 -33
0432169-1	30 - 9
0433007	22 -27
0433007	22A-14
0433010-1	22A-
0433010-10	22A-26
0433010-12	22A-29
0433010-2	22A-25
0433010-3	22A-28
0433010-4	22A-24
0433010-5	22A-21
0433010-6	22A- 5
0433010-7	22A-30
0433010-8	22A-40
0433010-9	22A-27
0433133-1	30 - 7
0433134-3	20 -22
0433134-6	20 -23
0433135-1	22 -24
0433137-1	22 -39
0433137-1	22A-41
0433137-2	22 -40
0433137-2	22A-42
0433139-1	22A-22
0434155-1	20 -13
0434155-2	20 -14
0441023-2	36 - 6
0441024-1	36 - 2
0441024-2	36 - 2
0441025-1	36 - 1
0441119	36 -13
0441132	61 -18
0441139-5	36 -20
0441139-6	36 -20
0441155-1	25 -19
0441169	36 - 7
0441169-2	36 - 7
0441170-1	25 -14

PART NUMBER	FIGURE AND INDEX NO.
0441171-1	25 -13
0441172-1	25 -11
0441186-1	36 - 7
0441186-2	36 - 7
0441201-1	36 -29
0441201-2	36 -29
0441201-5	36A-42
0441201-6	36A-42
0441203-1	36A-15
0441203-1	36B-15
0441204-11	25A- 6A
0441204-12	25A- 7A
0441204-3	25A- 6
0441204-4	25A- 7
0441204-7	25A-11
0441204-8	25A-12
0441209-1	25A- 3A
0441209-2	25A- 4A
0441211-1	25A- 3
0441211-2	25A- 4
0441211-5	25A- 3A
0441211-6	25A- 4A
0441212-1	36A- 1
0441212-2	36A- 1
0441212-5	36A- 1
0441212-5	36B- 1
0441212-6	36A- 1
0441212-6	36B- 1
0441214-7	36A- 3A
0441214-7	36B- 4
0441214-8	36A- 3A
0441214-8	36B- 4
0441215-1	50 -43
0441216-1	36A-35
0441216-2	36A-35
0441216-5	36A-35
0441216-5	36B-35
0441216-6	36A-35
0441216-6	36B-35
0441217-11	36A-37
0441217-12	36A-37
0441217-18	36A-37
0441217-18	36B-37
0441217-19	36A-37
0441217-19	36B-37
0441217-214	36A-37
0441217-214	36B-37
0441217-215	36A-37
0441217-215	36B-37
0441217-3	36A-37
0441217-4	36A-37
0441218-1	36A-33
0441218-1	36B-33
0441218-2	36A-33
0441218-2	36B-33
0441220-1	36A-44A
0441220-2	36A-44A
0441221-1	36A- 2
0441221-1	36A-16
0441221-1	36B- 2
0441221-1	36B-16
0441224-1	36A- 4
0441224-1	36B- 5
0441225-1	36A-42
0441225-1	36B-44
0441225-2	36A-42
0441225-2	36B-44
0441226-1	36A-44A
0441226-1	36B-47
0441226-2	36A-44A
0441226-2	36B-47
0441227-1	36B-42
0441227-2	36B-42
0442017-1	33 -12



PART NUMBER	FIGURE AND INDEX NO.
0442142-1	32 -16
0442143-1	32 -17
0442143-2	32 -17
0442145-1	2 -36
0442145-1	2A-27
0442145-1	2B-30
0442145-1	2C-30
0442145-1	2D-29
0442145-1	33 -31
0442504-10	33 -
0442504-13	33 -
0442504-200	33 - 2
0442504-201	33 - 2
0442506-1	33 -34
0442506-2	33 -46
0442506-8	33 -44
0442506-9	33 -45
0442512-1	35 -
0450027-12	53 - 8
0450032-1	82 - 9
0450034-1	59 -41
0450034-2	87 -19
0450035-1	57A-13
0450035-1	87 - 9
0450036-1	82 -15
0450037-1	82 -10
0450039-1	53 -10
0450039-2	53 -11
0450039-2	53A- 9
0450039-5	53A-10
0450040-1	53 -12
0450042-1	53A- 6
0450046-1	53A-11
0450046-3	53A-11
0450050-1	53A- 8A
0450163-1	59 -18
0450163-1	59A-18
0450171	59A-52
0450191-1	56 -39
0450209	59A-53
0450210	59 -27
0450210	59A-35
0450211-1	59 -28
0450211-1	59A-34
0450211-2	59A-54
0450215-1	59 -33
0450215-1	59A-40
0450234-29	59 -11
0450234-29	59 -14
0450258	75 -24
0450260	53 - 4
0450262	54 -13
0450262	54A-13
0450262	59 -19
0450262	59 -38
0450262	59A-10
0450262	59A-24
0450262	59A-42
0450266-1	54 -12
0450266-1	59 -24
0450266-1	59A-11
0450277-11	83A-10
0450277-5	59 -42
0450277-5	59A-49
0450277-8	59 -43
0450277-8	59A-50
0450302-1	54 - 8
0450302-1	59 -21
0450302-3	54 - 9
0450302-3	54A-10
0450302-3	59 - 8
0450302-3	59 -23
0450302-3	59A- 8
0450302-3	59A-21

PART NUMBER	FIGURE AND INDEX NO.
0450302-4	54 -10
0450302-4	59 -22
0450303-1	59 - 6
0450303-3	59 - 7
0450303-4	59A-12
0450303-5	59A-20
0450311	56 -24
0450311	60 - 2
0450311	60A- 2
0450311-12	56 -50
0450311-3	56 -61
0450311-3	76 -46
0450311-5	60A- 9
0450311-6	56 -50
0450314	56 -16
0450322	59 -26
0450322	59A-33
0450322-1	59 -26
0450322-1	59A-33
0450338-10	58 -20
0450338-66	58 -18
0450338-67	58 -17
0450338-69	58 - 9
0450338-70	58 -13
0450338-74	58 -13
0450338-76	58 - 9
0450338-9	58 -19
0450340-1	56 -34
0450343-1	56 -38
0450345-1	59 -39
0450345-1	59A-46
0450400-21	58 -
0450400-23	58 - 3
0450400-25	58 -
0450400-26	58 - 2
0450400-3	58 - 1
0450400-6	58 - 4
0450403-2	78 -16
0450403-3	78 -16
0450404-200	78 -15
0450404-201	78 -15
0450408-1	54 -19
0450408-1	54A-19
0450409-1	54A- 1
0450409-2	54A- 2
0450502-12	59 - 3
0450502-13	54 - 6
0450502-13	59 -17
0450502-22	59 -12
0450502-23	59 - 9
0450502-24	59 -35
0450502-24	59A-44
0450502-25	59 -36
0450502-25	59A-45
0450502-28	59 -30
0450502-28	59A-37
0450502-29	59 -31
0450502-29	59A-38
0450502-30	59 -32
0450502-30	59A-39
0450502-31	59 - 1
0450502-32	59 -15
0450502-36	59 -29
0450502-38	59 -29
0450502-39	54 - 5
0450502-42	59A-36
0450502-44	59A-36
0450506-1	59 -34
0450506-1	59A-41
0450507-1	59 - 4
0450507-1	59A- 6
0450515-2	53 - 1
0450516-1	53 - 6
0451116-1	86 - 1

PART NUMBER	FIGURE AND INDEX NO.
0451120-1	56 - 3
0452002-16	55 -29
0452002-17	55 -30
0452002-29	55 -25
0452002-29	55A-35
0452002-30	55 -35
0452002-42	55 -34
0452002-43	55 -28
0452002-45	55 -27
0452002-6	55 - 2
0452003-11	55 - 5
0452003-11	55A- 8
0452003-12	55 -24
0452003-12	55A-34
0452003-13	55 -23
0452003-13	55A-33
0452003-14	55 - 3
0452003-15	55 -20
0452003-16	55 - 6
0452003-16	55A-10
0452003-17	55 - 9
0452003-17	55A- 6
0452003-18	55 -32
0452003-19	55 -33
0452003-2	55 - 1
0452003-20	55 -14
0452003-20	55A-16
0452003-22	55 -17
0452003-22	55A-19
0452003-25	55 - 9
0452003-25	55A-13
0452003-26	55 -26
0452003-26	55A-39
0452003-27	55 -19
0452003-27	55A-18
0452003-28	55 - 8
0452003-28	55A-12
0452003-3	55 -20
0452003-4	55 - 4
0452003-4	55A- 7
0452003-6	55 -21
0452003-7	55 -22
0452004-1	55 - 7
0452004-1	55A-11
0452005-1	86 - 2
0452005-2	86 - 3
0452006-1	54 -21
0452006-1	54A-22
0452007-2-791	54 - 1
0452008-1	55A-37
0452008-2	55A-38
0452009-11	55A-29A
0452009-9	55A-27A
0452010-10	55A-36
0452010-11	55A-40
0452010-12	55A-41
0452010-18	55A-23
0452010-2	55A-23
0452010-200	55A-23
0452010-201	55A-23
0452010-3	55A- 1
0452010-4	55A- 6
0452010-5	55A-31
0452010-6	55A-32
0452010-9	55A-14
0452011-1	55A-24
0452011-2	55A- 4
0452011-200	55A-24
0452011-201	55A-24
0452011-6	55A-24
0452012-1	55A- 5
0452012-2	55A-25
0452012-5	55A-26
0452012-6	55A-27

PART NUMBER	FIGURE AND INDEX NO.
0452013-2	83A-1
0452014-1	55A-28
0452014-1	83A-12
0452015-2	83A-5
0452015-6	83A-5A
0452015-7	83A-8
0452017-15	56-72
0452017-5	56-73
0452017-6	56-74
0452017-7	56-75
0452018-1	83A-12A
0452018-5	55A-28
0452018-5	83A-12A
0452019-1	56-70
0452200-1	55-36
0453001-4	26-45
0453001-5	26-45
0453001-6	26A-44
0453002-10	60-29
0453002-16	60-20
0453002-16	60A-19
0453002-24	60-23
0453002-25	60-19
0453002-26	60-18
0453002-27	60A-17
0453002-31	60A-17
0453002-4	60-22
0453002-4	60A-18
0453002-5	60-27
0453002-6	60-28
0453002-7	60-30
0453003-1	26-57
0453003-1	26A-56
0453003-4	26-56
0453003-4	26A-55
0453003-6	26-58
0453003-6	26A-57
0453003-8	26-55
0453003-8	26A-54
0453004-1	80-17
0453005-1	80-18
0453006-3	60-10
0453006-3	60A-10
0453010-1	60-21
0453010-1	60A-20
0453107-2	26-49
0453107-2	26A-48
0453107-3	26-48
0453107-3	26A-47
0453110	26-50
0453110	26A-49
0453114-3	26-46
0453114-4	26-46
0453114-5	26A-45
0453115-1	26-47
0453115-1	26A-46
0453116-5	26-51
0453116-5	26A-50
0453116-6	26-52
0453116-6	26A-51
0453116-7	26-54
0453116-7	26A-53
0453116-8	26-53
0453116-8	26A-52
0453116-9	26-53
0453116-9	26A-52
0453117-1	54-20
0453117-1	54A-20
0455000-11	59A-27
0455000-13	59A-31
0455000-4	59A-28
0455000-5	59A-7
0455000-6	59A-32
0455000-7	59A-9

PART NUMBER	FIGURE AND INDEX NO.
0455001-10	54A-11
0455001-10	59A-22
0455001-14	54A-9
0455001-2	59A-14
0455001-3	59A-1
0455001-4	59A-19
0455001-7	59A-4
0455001-8	59A-16
0456002-1	56-56
0456003-1	57A-12
0456003-3	87-10
0456003-5	57A-2
0456003-5	87-24
0456004-1	54-22
0456004-1	54A-23
0456004-2	56-8
0456004-200	54-23
0456004-200	54A-24
0456004-6	54-24
0456004-6	54A-25
0456005-1	57A-24
0456006-1	59A-48A
0460101	64-13
0460108-1	66-15
0460108-1	66-26
0460108-1	69-15
0460109-1	66-13
0460109-1	66-20
0460109-1	69-15
0460116-3	64-43
0460116-3	71-4
0460124-1	72-23
0460126-1	26-40
0460126-1	26A-39
0460126-4	26-33
0460126-4	26A-32
0460127-2	72-1
0460128-1	64-
0460128-200	64-36
0460129-1	64-35
0460131	72-11
0460132-1	72-7
0460133-3	72-9
0460134-1	50-1
0460134-3	50-1
0460137-1	50-1
0460150-1	71-30
0460151-1	65-32
0460152-1	72-9A
0460153-1	72-11A
0460195-1	86-23
0460196-1	86-35
0460196-2	86-18
0460197-1	86-29
0460198-1	86-30
0460198-2	86-31
0460199-1	26-39A
0460200-1	65-11
0460201-1	71-29
0460204-1	4-35B
0460204-1	5-41
0460204-1	6-36B
0460204-1	7-45
0460204-2	4-35C
0460204-2	5-41
0460204-2	6-36C
0460204-2	7-45
0460205-1	4-35D
0460205-1	5-41A
0460205-1	6-36D
0460205-1	7-45A
0460205-2	4-35E
0460205-2	5-41A
0460205-2	6-36E

PART NUMBER	FIGURE AND INDEX NO.
0460205-2	7-45A
0460206-1	70A-13
0460207-1	70A-1
0460208-1	47C-7
0460208-1	70A-19
0460209-1	70A-20
0460209-3	70A-21
0460210-1	70A-3
0460210-3	70A-4
0460214-4	29-63A
0460215-1	29-63
0460216-1	70A-18
0460217-1	70A-43
0460218-1	70A-49
0470007-1	48-16
0470007-1	48A-12
0470008-1	48-15
0470112-1	81A-10
0470114-1	81A-1
0470118-2	81B-17
0470311-7	70A-25
0470401-KA3	80-39
0470401-PA1	80-3
0470401-PA5	80-4
0470401-PC1	80-20
0495601-1	78-17
0500228-2	50-14
0500228-3	50-18
0500228-5	50-17
0500276-1	52-7
0500276-1	86-41
0500276-2	52-7
0500276-2	86-41
0500276-5	52-7
0500276-6	52-7
0500310-1	50-6
0500312-2	50-3
0500313-1	50-5
0500315-1	56-64
0500315-1	76-37
0500315-2	56-65
0500315-2	76-38
0501019-1	50-12
0501022-1	50-27
0501022-1	50-33
0505007-1	2-31
0505007-1	2A-30
0505007-1	2B-33
0505007-1	2C-33
0505007-1	2D-32
0505009-2	2-29
0505009-2	2A-20
0505009-3	2A-20
0505009-3	2B-23
0505009-3	2C-23
0505009-3	2D-22
0505012-1	2-10
0505012-2	2-10
0505015-1	2-11
0505015-2	2-11
0505017-1	2-12
0505020-2	2-22
0505021-10	2-15
0505021-11	2-17
0505021-7	2-13
0505021-8	2-14
0505021-9	2-16
0505024-1	2-2A
0505025-1	2-13A
0505025-2	2-14A
0505025-3	2-15A
0505030-1	2-42
0505061-1	2D-1
0505061-3	2D-1

PART NUMBER	FIGURE AND INDEX NO.	PART NUMBER	FIGURE AND INDEX NO.	PART NUMBER	FIGURE AND INDEX NO.
0505061-4	20- 1	0513426-4	24A-14	0523109	8 -25
0505061-5	20- 2	0513448-1	79 -31	0523109-1	8 -25
0505061-6	20- 2	0513448-1	79A-28	0523110-10	9 -25
0511049	43 -11	0514088-1	64 -53	0523110-11	9 -25
0511049-1	43 -11	0514097-1	64 -53	0523111-5	9 - 6
0511165	42 -18	0515010-10	41 -44	0523111-6	9 - 7
0511165	42A-19	0516006-1	4 - 4	0523111-7	9 - 9
0511165	50A-18	0516006-1	5 - 6	0523115	83 - 1
0511165	50B-11	0516006-1	6 - 6	0523115-2	3 -30
0511258-2	39 - 6	0516006-1	12 -27	0523115-3	83 - 2
0511260-1	39 - 8	0516006-1	13 -30	0523115-5	83 - 3
0511260-2	39 - 8	0517002-1	38 -56	0523118-1	83 - 4
0511261-3	39 -10	0517002-1	38A-60	0523215	10 -30
0511261-4	39 -16	0521103-2	8 -22	0523215	11 -33
0511261-5	39 -16	0521103-2	9 -22	0523215-1	10 -30
0511263-1	38 -59	0521103-2	73 - 1	0523215-1	11 -33
0511263-1	38A-50	0521103-4	8 -22	0523216	10 -29
0511264-1	39 - 5	0521103-4	9 -22	0523216	11 -32
0511266-1	39 -12	0521103-4	73 - 1	0523218	15 -10
0511319-201	80 - 1	0522150-3-791	17 -13	0523218-2	15 -14
0511324-2	81B-31	0522150-4-791	17 -13	0523219-2	4 -37
0511324-3	81B-35	0522150-6-791	17 -13	0523219-2	5 -50
0511324-4	81B-32	0522150-7-791	17 -13	0523219-2	6 -44
0511484-2	24 -11A	0522629-1	15 - 4	0523219-2	7 -54
0511484-2	24A-11	0522629-1	16 - 4	0523219-3	4 -37
0511771-7	38 -21	0522629-1	69 -28	0523219-3	5 -50
0511771-7	38A-21	0523003-10	8 -24	0523219-3	6 -44
0511771-7	40 - 4	0523003-11	8 -24	0523219-3	7 -54
0511771-7	40 - 5	0523003-40	4 -44	0523219-4	4 -38
0511771-8	38 -21	0523003-40	5 -57	0523219-4	5 -51
0511771-8	38A-21	0523003-40	6 -51	0523219-4	6 -45
0511771-8	40 - 4	0523003-40	7 -61	0523219-4	7 -55
0511771-8	40 - 5	0523003-48	5 -15	0523219-5	4 -38
0512006-1	76 - 2	0523003-48	7 -20	0523219-5	5 -51
0512122	29 - 1	0523003-56	8 -35	0523219-5	6 -45
0512123	3 - 5	0523003-57	8 -35	0523219-5	7 -55
0513039-7	47 -50	0523003-62	4 -51	0523221	15 - 2
0513039-7	47A-50	0523003-62	6 -60	0523222	15 - 9
0513039-7	47B-68	0523003-63	8 -24	0523223	15 - 1
0513039-7	47C-70	0523003-74	4 -52	0523223-1	15 - 1
0513056-3	47 -17	0523003-74	6 -57	0523230	4 -25
0513056-3	47A-12	0523003-80	4 -47	0523230	6 -32
0513056-4	47 -17A	0523003-80	6 -55	0523230-1	4 -25
0513085-3	49A- 3	0523003-81	4 -48	0523230-1	6 -32
0513208-1	81 -11	0523003-81	6 -53	0523230-4	4 -25
0513208-1	81A-22	0523003-83	4 -53	0523230-4	5 -34
0513208-1	81B-25	0523003-83	6 -58	0523230-4	6 -32
0513239-13	64 -50	0523005-229	8 -23	0523230-4	7 -38
0513239-15	64 -50	0523005-50	10 -24	0523230-5	4 -25
0513239-18	64 -50	0523005-50	11 -27	0523230-5	5 -34
0513239-9	64 -50	0523005-51	10 -24	0523230-5	7 -38
0513240-16	64 -48	0523005-51	11 -27	0523230-8	5 -34
0513240-18	64 -48	0523005-56	8 -23	0523230-9	5 -34
0513240-20	64 -48	0523005-57	8 -23	0523230-9	7 -38
0513245-2	40 - 6	0523007-11	8 - 1	0523231-13	4 -21
0513246-4	40 - 1	0523007-14	4 -45	0523231-13	5 -30
0513260-13	64 -50	0523007-16	4 -46	0523231-13	6 -28
0513260-14	64 -50	0523007-16	6 -54	0523231-13	7 -34
0513260-19	64 -50	0523007-19	4 -50	0523231-21	4 -21
0513260-4	64 -50	0523007-19	6 -59	0523231-21	5 -30
0513260-5	64 -50	0523007-20	4 -50	0523231-21	6 -28
0513261-10	64 -48A	0523007-20	6 -59	0523231-21	7 -34
0513261-11	64 -48A	0523007-24	6 -52	0523231-24	4 -22
0513261-16	64 -48A	0523106	8 -32	0523231-24	5 -31
0513261-17	64 -48A	0523106	9 -34	0523231-5	4 -21
0513261-7	64 -48	0523107	8 - 2	0523231-5	5 -30
0513261-8	64 -48	0523107-2	8 - 2	0523231-5	6 -28
0513292-1	47C-82	0523107-5	9 - 2	0523231-5	7 -34
0513292-2	47C-83	0523107-6	9 - 2	0523232-2	4 -20
0513292-3	49A- 6	0523108	8 - 6	0523232-2	6 -26
0513351-1	47 - 2	0523108	8 - 7	0523232-6	5 -28
0513351-1	47 - 8	0523108	8 - 9	0523232-6	7 -32
0513426-2	24 -12A	0523108-3	8 - 7	0523233-12	5 -31
0513426-2	24A-14	0523108-4	8 - 9	0523233-12	7 -35



PART NUMBER	FIGURE AND INDEX NO.
0523233-13	5 -32
0523233-13	7 -36
0523233-24	6 -29
0523233-24	7 -35
0523233-3	4 -24
0523233-4	4 -23
0523233-4	6 -30
0523233-5	5 -33
0523233-5	6 -31
0523233-5	7 -37
0523233-8	4 -22
0523233-8	5 -31
0523233-8	6 -29
0523233-8	7 -35
0523233-9	4 -22
0523233-9	6 -29
0523240-5	6 -32
0523306	10 - 6
0523306	11 - 5
0523307	17 - 4
0523307-1	17 - 4
0523308	10 -10
0523308-1	11 - 9
0523309	10 -13
0523309-1	10 -13
0523309-4	11 -12
0523309-5	11 -12
0523311	10 -12
0523311-1	11 -11
0523316	10 -17
0523316-1	10 -17
0523317	10 - 1
0523317-1	10 - 1
0523318	10 -16
0523318-1	10 -16
0523319-1	10 -15
0523406-2	10 -18
0523406-3	10 -18
0523406-4	11 -21
0523406-5	11 -21
0523407	4 -29
0523407	5 -43
0523407	6 -38
0523407	7 -47
0523407-1	4 -30
0523407-1	5 -44
0523407-1	6 -39
0523407-1	7 -48
0523408	4 -28
0523408	5 -42
0523408	6 -37
0523408	7 -46
0523409	10 -24
0523409	11 -23
0523505-1	6 -14
0523505-2	6 -14
0523505-5	7 -19
0523505-6	7 -19
0523508-12	6 -15
0523508-13	6 -15
0523508-16	5 -16
0523508-20	7 -21
0523508-21	7 -21
0523508-25	6 -15
0523508-26	6 -15
0523508-28	7 -21
0523508-29	7 -21
0523508-34	4 - 8
0523508-35	4 - 8
0523508-36	5 -16
0523508-37	5 -16
0523508-43	4 - 8
0523508-45	5 -16
0523508-5	4 - 8

PART NUMBER	FIGURE AND INDEX NO.
0523508-8	4 - 8
0523509-1	4 -10
0523509-1	4 -10
0523509-12	5 -18
0523509-12	5 -18
0523509-13	5 -19
0523509-13	7 -23
0523509-14	4 -11
0523509-14	6 -18
0523509-16	4 -10
0523509-18	5 -18
0523509-2	4 -11
0523509-2	6 -18
0523509-20	4 -10
0523509-4	4 -10
0523510-19	5 -20
0523510-19	7 -24
0523510-20	5 -20
0523510-20	7 -24
0523510-6	4 -12
0523510-6	6 -19
0523510-7	4 -12
0523510-7	6 -19
0523511-14	5 -22
0523511-14	7 -26
0523511-15	5 -35
0523511-15	7 -39
0523511-3	4 -13
0523511-4	4 -26
0523511-4	6 -33
0523511-5	8 -28
0523512-19	5 -23
0523512-19	7 -27
0523512-21	9 -30
0523512-22	5 -36
0523512-22	7 -40
0523512-3	4 -14
0523512-3	6 -21
0523512-4	4 -27
0523512-4	6 -34
0523512-5	8 -29
0523513-10	4 -15
0523513-10	6 -22
0523513-12	9 -31
0523513-13	5 -24
0523513-13	7 -28
0523513-14	5 -24
0523513-14	7 -28
0523513-4	8 -30
0523513-9	4 -15
0523513-9	6 -22
0523514-3	4 -16
0523514-3	6 -23
0523514-4	8 -31
0523514-6	9 -32
0523514-7	5 -25
0523514-7	7 -29
0523515-3	4 -17
0523515-3	6 -24
0523515-4	8 -36
0523515-6	9 -38
0523515-7	5 -26
0523515-7	7 -30
0523517-4	5 -18
0523517-4	6 -17
0523520-9	12 - 7
0523520-9	13 -18
0523522-1	4 - 7A
0523522-1	5 -10A
0523522-1	6 - 8
0523522-1	7 -11
0523522-1	12 - 6
0523522-1	13 -28
0523522-11	4 - 7

PART NUMBER	FIGURE AND INDEX NO.
0523522-11	5 -10
0523522-11	12 - 5
0523522-13	12 - 5A
0523522-7	13 -29
0523524	10 - 4
0523524	10 - 4
0523524	10 -21
0523524	11 - 3
0523524	11 - 3
0523524	11 -25
0523529-1	12 -10
0523529-1	13 - 9
0523531	12 -13
0523531	13 - 5
0523532	12 - 9
0523532	13 -11
0523536	16 - 3
0523536	69 -28
0523536	69 -36
0523537	16 - 7
0523537	69 -30
0523537-2	16 -12
0523539-10	6 -43
0523539-10	7 -52
0523539-7	6 -42
0523539-7	7 -51
0523539-8	6 -42
0523539-8	7 -51
0523539-9	6 -43
0523539-9	7 -52
0523542-4	9 -29
0523552-2	12 -20
0523552-2	13 -20
0523554-1	12 -21
0523554-1	13 -21
0523554-2	12 -22
0523554-2	13 -22
0523556-1	12 -23
0523556-1	13 -23
0523558-1	3 -22
0523561-1	7 -22
0523564-1	6 -16
0523564-2	4 -10
0523564-2	5 -18
0523565-200-791	4 -63
0523565-200-791	5 -76
0523565-200-791	6 -71
0523565-200-791	7 -80
0523565-201-791	4 -63
0523565-201-791	5 -76
0523565-201-791	6 -71
0523565-201-791	7 -80
0523565-21	4 -63
0523565-21	5 -76
0523565-21	6 -72
0523565-21	7 -81
0523565-22	4 -63
0523565-22	5 -76
0523565-22	6 -72
0523565-22	7 -81
0523565-29-791	4 -63
0523565-29-791	5 -76
0523565-29-791	6 -71
0523565-29-791	7 -80
0523565-30-791	4 -63
0523565-30-791	5 -76
0523565-30-791	6 -71
0523565-30-791	7 -80
0523566-1	3 -37
0523566-2	3 -37
0523566-5	3 -37
0523566-6	3 -37
0523613-1	17 -10
0523613-1	30 -18

PART NUMBER	FIGURE AND INDEX NO.
0523613-2	86 -16
0523614-1	17 - 7
0523619-1	3 -21
0523800	15 -17
0523800-1	15 -17
0523800-10	15 -32
0523800-11	15 -32
0523800-12	15 -33
0523800-13	15 -33
0523800-6	15 -30
0523800-7	15 -30
0523800-8	15 -31
0523800-9	15 -31
0523806	15 -21
0523806-1	15 -21
0523807	15 -20
0523808	15 -22
0523808-2	15 -22
0523809	15 -23
0523809-1	15 -23
0523810	15 -24
0523811	15 -25
0523811-1	15 -25
0523813-1	15 -34
0523813-2	10 -26
0523813-2	11 -29
0523813-3	10 -25
0523813-3	11 -28
0523813-4	10 -27
0523813-4	11 -30
0523813-5	10 -28
0523813-5	11 -31
0523813-6	15 -36
0523813-7	15 -37
0523813-8	15 -35
0523814-3	15 -29
0523901-13	16 -26
0523901-14	16 -27
0523912	16 -22
0523912-1	16 -23
0523914	16 -25
0523918	16 -28
0523919	16 -17
0523920	16 -16
0523921	16 -15
0523922	16 -18
0523923	16 -24
0525511-3	6 -20
0525522-7	12 - 6A
0532104	22 - 2
0532104	22A- 2
0533010-1	71 -12A
0534126-1	20 -12
0534126-4	20 -12A
0534126-6	22 - 6
0534126-6	22A- 6
0541105	36 - 5
0541111-2	36 -20
0541115-2	86 -10
0541115-3	86 - 9
0541115-4	86 -12
0541124	36 -16
0541138-19	63 -
0541138-5	63 -13
0541139	63 - 9
0541140	63 - 1
0541143	63 -16
0541144	63 -15
0541146-1	63 - 6
0541148	63 -12
0541148-1	63 -19
0541149	63 -13
0541151	63 - 8
0541154-1	36 -23

PART NUMBER	FIGURE AND INDEX NO.
0541154-1	36A-11
0541154-2	36A-11
0541156-1	36 -27
0541156-2	36 -27
0541157-1	36 -20
0541157-2	36 -20
0541157-3	36 -20
0541165-1	63 - 3
0541167-1	63 - 7
0541172-1	75 -23
0541173-1	75 -25
0541174-1	75 -20
0541178-1	75 -27
0541178-1	75 -28
0541184-1	63 -10
0541203-1	36A-45
0541203-2	36A-45
0541205-1	36A-52
0541205-2	32 -33
0541206-1	36A-51
0541207-1	36A-50
0541207-2	32 -31
0541207-4	32 -31
0541211-1	36A-11
0541211-1	36B-11
0541219-1	36A-51
0541219-1	36B-55
0541219-2	36A-51
0541219-2	36B-55
0541221-1	36A-52
0541221-1	36B-56
0541221-2	32 -33A
0541222-1	36A-50
0541222-1	36B-54
0541223-1	36A-45
0541223-13	32 -31A
0541223-13	36A-53A
0541223-13	36B-58
0541223-16	36B-48
0541223-17	36B-48
0541223-2	36A-45
0542100-6	35 - 1
0542101-1	35 - 5
0542102-3	35 - 6
0542118-5	35 - 4
0543000-27	33 -16
0543008-6	33 - 1
0543022-3	32 - 5
0543022-4	32 - 5
0543023	32 - 9
0543029	33 -29
0543036-1	33 -18
0543047-1	33 -36
0543047-1	33 -48
0543048-1	33 -37
0543048-1	33 -49
0543065-1	32 -22A
0543065-10	32 -22A
0543079-1	32 -22A
0550100-11	56 -28
0550100-11	60 -37
0550176-50	58 -10
0550176-50	58 -14
0551012-2	56 - 2
0552110-1	2 -28
0552110-1	2A-19
0552110-1	54 - 5
0552110-1	54A- 7
0552110-3	2A-19
0552110-3	2B-22
0552110-3	2C-22
0552110-3	2D-21
0552110-3	54A- 7
0552161-2	80 -22A

PART NUMBER	FIGURE AND INDEX NO.
0552161-4	80 -24A
0553005-1	80 -16
0570088-1	85A- 4
0570088-3	85A- 4
0570094-1	85A-22
0570094-2	85A-24
0570095-1	85A- 6A
0570096-1	85A- 3B
061-01900	37 -15
061-03700	37B-15
066-03000	37 -17
066-03000	37 -19
066-03000	37B-17
066-03000	37B-19
069-00400	37 -24
069-00400	37B-24
0700106-2	44 -13
0700106-2	45 -18
0700162-1	47 -33
0700162-1	47A-33
0700162-1	47B-44
0700162-1	47C-47
0700162-3	47B-46
0700162-3	47C-49
0700162-4	47B-46
0700162-4	47C-49
0700162-6	47B-46
0700162-6	47C-49
0700162-7	47 -35
0700162-7	47A-35
0700162-7	47B-46
0700162-7	47C-49
0700189-10	47 -34
0700189-10	47A-34
0700189-4	47 -34
0700189-6	47 -34
0700315-2	50 -12
0700315-4	50 -12
0710312-3	44D-19
0710312-3	45D-20
0710638-1	38 -22
0710638-1	38A-22
0711021-9	38 -14
0711021-9	38A-14
0711038-1	38 -18
0711038-1	38A-18
0711080-1	46 - 1
0711083-1	42 -21
0711083-1	42A-23
0711083-1	50A-30
0711098-7	46 -15
0711098-8	46 -16
0712031-1	80 -26
0713026-6	47 -52
0713026-6	47A-52
0713026-6	68 -15
0713026-6	68 -49
0713047	2 -30
0713047	2A-26
0713047	2B-29
0713047	2C-29
0713047	2D-28
0713047	23 -10
0713074-1	44 -31
0713074-1	44A-37
0713074-1	45 -36
0713074-1	45A-40
0713124-1	83 - 6
0713173-1	24 -38
0713173-1	24A-42
0713173-2	24 -38
0713173-2	24A-43
0713173-5	23 - 6
0713173-6	23 - 7

PART NUMBER	FIGURE AND INDEX NO.
0713221-1	48B- 2
0713221-1	48C- 2
0713303-19	44 -22
0713303-19	44A-21
0713303-19	44B-21
0713303-19	44C-24
0713303-19	45 -27
0713303-19	45A-24
0713303-19	45B-24
0713303-19	45C-25
0713303-2	60 -49
0713303-2	60A-45
0713533-1	79 -29
0713533-1	79A-25
0713624-2	26 -32
0713624-2	26A-31
0713813-1	51 - 4
0713819-1	2 -20
0713819-1	51 -16
0715038-1	41 -39
0716124-6	12 -26
0716124-6	13 -25
0716124-9	12 -26
0716124-9	13 -25
0716224-2	61 -38
0716623-3	76 -21
0716623-5	76 -21
0716624-1	76 -24
0720005-2	4 -36
0720005-2	5 -37
0720005-2	6 -35
0720005-2	7 -41
0720608-26	8 -37
0720608-26	9 -39
0720608-7	4 -18
0720608-7	5 -27
0720608-7	6 -25
0720608-7	7 -31
0721101-8	73 -22
0721105-27	73 -25
0721105-5	73 -27
0721107-1	4 -59
0721107-1	5 -73
0721107-1	6 -68
0721107-1	7 -77
0721107-2	4 -59
0721107-2	5 -73
0721107-2	6 -68
0721107-2	7 -77
0721111-10	6 -13
0721111-29	7 -18
0721111-30	7 -18
0721111-37	6 -13
0721111-37	7 -18
0721111-38	6 -13
0721111-38	7 -18
0721111-9	6 -13
0722201-2	4 -11
0722201-2	6 -18
0722707-1	10 -10
0722707-1	11 - 9
0724115-2	15 -28
073-01100	37 -18
073-01100	37B-18
0731605-2	21 -34
074-01000	37 -16
074-01000	37B-16
0741022-1	36 - 6
0741046-11	36 -38
0741046-14	36 -39
0741046-202	36 -32
0741046-203	36 -32
0741047-1	36 -41
0741047-1	36A-54

PART NUMBER	FIGURE AND INDEX NO.
0741047-2	36A-54
0741047-2	36B-60
0741048-7	36 -43
0741048-7	36A-55
0741048-8	36 -28
0741048-8	36A-26
0741048-8	36B-26
0742200-6	86 -22
0742410-27	32 -23
0742410-28	32 -23
0743009-1	33 - 8
0743011-6	33 -33
0743612-1	33 -11
0743625-11	32 -32
0743625-14	32 -22
0743625-15	32 -37
0743625-17	32 -37A
0743625-7	32 -36
0743625-9	32 -30
0743627-3	32 -38
0743627-4	32 -38
0743627-5	32 -38
0743627-6	32 -38
075-03700	37 -28
075-03700	37B-28
0750032-1	76 -59
0750139	56 -14
0750178-2	56 -35
0752037-3	78 - 1
0752610-1	80 -21
0752611-1	80 -23
0752646-1	83A-11A
0752646-1	83B- 6
0753020-1	26 -39
0756005-2	77 - 9
0756005-8	77 -
0756008-1	77 - 1
0756009-1	77 - 7
0756009-8	77 - 8
0756010-6	77 -12
0756011-1	77 - 6
0756012-1	77 -14
0756014-1	77 -10
0756014-2	77 -13
0756015-1	77 - 3
0756022-1	78 -19
0756022-2	78 -20
0760011-2	15 -26
0760131-5	47A-12
0760131-5	47B-34
0760131-5	47C-37
0760131-6	47A-10
0760131-6	47B-33
0760131-6	47C-36
0760131-7	47 -16
0760131-7	47A-10
0760610-5	69 -13
0760610-6	69 -13
0760612-1	16 - 1
0760612-1	69 -26
0760612-7	16 - 1
0760612-7	69 -27
0760614-1	69 -43
0760619-1	69 -35
0760620-1	69 -42A
0760620-9	69 -42A
0770038-2	80 -35
0770719-2	48 -11
0770719-2	48A- 9
0770728-1	80 -11
079-00300	37 -27
079-00300	37B-27
0800111-2	50 -19
081-00100	37 -27

PART NUMBER	FIGURE AND INDEX NO.
081-00100	37B-27
0841200-15	33 -27
0841200-19	33 -20
0841200-25	33 -28
091-02200	37 -14
091-04400	37B-14
092-01700	37 -20
092-01700	37B-20
1/16X.62TYPE3	19A-15
1N1344A	80 -32
10004-98	50 -43
1005-0-1	67 - 8
1005-1-0	67 -21
1007	1 - 4
1024A-8	1 - 3
103-11600	37 -22
103-11700	37B-22
105-00200	37 -17
105-00200	37 -19
10578B	57A-20
10650	69 -51
1089	29 -35
1089	41 -41
110691	1 -47
1195-0061	50 -43
1205001-11	2 -27
1205001-11	86 -39
1205001-141	2A-21
1205001-141	2B-24
1205001-142	2A-23
1205001-142	2B-26
1205001-143	2A-22
1205001-143	2B-25
1205001-144	2A-22
1205001-144	2B-25
1205001-145	2A-24
1205001-145	2B-27
1205001-146	2A-24
1205001-146	2B-27
1205001-45	2 -23
1205001-46	2 -24
1205001-65	2 -25
1205001-65	2A-21
1205001-65	2B-24
1205001-66	2 -25
1205001-66	2A-21
1205001-66	2B-24
1205001-67	2 -26
1205001-67	2A-22
1205001-67	2B-25
1205001-68	2 -26
1205001-68	2A-22
1205001-68	2B-25
1205001-69	2 -23
1205001-69	2A-23
1205001-69	2B-26
1205001-70	2 -23
1205001-70	2A-23
1205001-70	2B-26
1205001-71	2 -24
1205001-71	2A-24
1205001-71	2B-27
1205001-72	2 -24
1205001-72	2A-24
1205001-72	2B-27
1205001-73	2 -24
1205001-74	2 -24
1205001-8	2 -25
1205001-9	2 -26
1205001-91	2 -26
1205001-91	2A-22
1205001-91	2B-25
1205001-92	2 -26
1205001-92	2A-22

PART NUMBER	FIGURE AND INDEX NO.	PART NUMBER	FIGURE AND INDEX NO.	PART NUMBER	FIGURE AND INDEX NO.
1205001-92	2B-25	145-01000	37 -29	1752118-3	83B- 7
1205001-93	2A-24	145-01000	37B-29	1752118-4	83B- 8
1205001-93	2B-27	1450024-3	26 -61	1770009-1	85 - 1
1205001-94	2A-24	1450024-3	26A-60	1777	22 -33
1205001-94	2B-27	1450024-3	78 - 5A	1777	22A-20
1205004-1	2 -52	1452533-2	70A-15	1782001-1	75 - 3A
1205004-1	2A-11	1460315-10	72 -13	183-00100	37 -27
1205004-1	2B-15	1460320-1	61 - 1	183-00100	37B-27
1205004-1	2C-15	1460501-21	61 - 2	2N3055	80 -49
1205004-1	2D-14	1460505-1	61 - 4	20 OHM, 5W	13 -17
1205024-1	2 -32	1505014-1	2 - 1	20H3P	80 -32
1205024-1	2A-29	1505015-1	2 - 3	2015009-2	42 -16
1205024-1	2B-32	1505015-10	2 - 2	2015009-2	42A-17
1205024-1	2C-32	1505015-2	2 - 4	2024	57A-11
1205024-1	2D-31	1505015-22	2 - 7	2024	87 - 8
1205024-1	23 -15	1505015-3	2 - 5	20288	87 - 7
1205085-2	2A-20A	1505015-4	2 - 6	21051	57 - 6
1205085-2	2B-40	1505022-1	2 - 1A	21323	57 - 2
1205085-2	2C-40	1512280-24	70A-12	214-00100	37 - 3
1205085-2	2D-39	1512280-25	70A-14	214-00100	37B- 3
1210032-5	24 -13	1512280-25	70A-53	214-00200	37 - 9
1210032-5	24A-15	1513174-3	47C-18	214-00200	37B- 9
1210032-6	24 -13	1513174-3	47C-25	214-00300	34 - 9
1210032-6	24A-15	1513839-3	47A- 2	214-00400	34 - 6
1211203-1	42 -17	1513839-3	47A- 2	217-00100	34 -10
1211203-1	42 -18	1513839-3	47B-16	22FH632	63 -14
1211203-1	42A-18	1513839-6	47A- 1	22NM-02	70 -11
1211203-1	42A-19	1513839-6	47B-22	22NM02	28 - 8
1213158-2	78 - 9	1514014-1	47 -63	22344	87 - 1
1213158-3	78 - 9A	1516006-1	7 - 6	22344	87 -25
1213475-2	60A-27	1520006-1	3 -42	2265	87 - 6
1213478-1	60A-28	153-00300	37 -10	25-207	70 -14
1213482-1	60A-30	153-00300	37B-10	2848	57A- 8
1213483-1	60A-29	153-00400	37 - 7	2848	87 - 4
1213646-2	47 -53	153-00400	37B- 7	2849	57A- 9
1213646-2	47A-53	153-00800	34 - 4	2849	87 - 3
1213646-2	47B-70	153-01500	37 - 5	2904-1	47 -36
1213646-2	47C-73	153-01500	37B- 5	2904-1	68 - 1
1213675-1	26A- 9	154-00300	37 - 8	2904-1	68 -35
1220114-2	16 -18A	154-00300	37B- 8	3/32X.38TYPE3	19A- 8
1241061-1	36 -20	154-00600	34 - 5	35019	57 -11
1241156-12	34 - 2	154-01300	37 - 6	351-11-03-001	85A- 2
1243021-1	33 -21	154-01300	37B- 6	351-11-05-001	85A-15
1243030-5	33 -30	155-00100	37 - 4	352179	57 - 9
1243030-6	33 -30	155-00100	37B- 4	35923	57 - 4
1243030-7	33 -30	155-00200	34 - 3	36066	57 -14
1243626-1	33 -25	155109A	47A-50	3680C	32 -40
1250405-1	78 -29	155109A	47B-68	3680C	36 -28
1250410-3	2 -35	155109A	47C-70	3680C	36 -42
1250410-3	2A-32	1570102-10	52A-11	3680C	36A-29
1250410-3	2B-35	1570102-18	52A-10	3680C	36B-29
1250410-3	2C-35	1570102-19	52A- 2	3690-1/2	1 -46
1250410-3	2D-34	1570102-20	52A- 7	3690-1/4	1 -46
1250410-3	78 -28	1570141-1	85 -16	3690-1/8	1 -46
1253037-1	60 -16	1570141-1	85A-20	4NCC910P	24 -57
1253037-1	60A-15	1570142-3	85 - 3	4NCC910P	24A-61
1253041-1	60 -15	1570166-1	80 -47	401753	57A-10
1253041-1	60A-14	161-03000	37 - 1	42540-3114	73A-13
1260049-1	19A- 6	161-03100	34 - 7	42540-3214	73A-13
1260074-1	19A- 1	161-04900	37B- 1	43-1761	80 -32
1260474-1	29 -84	1613224-2	52 -11	4313	83A-11
1270704-1	48C- 7	1613224-2	86 -49	441364	47 -43
1270704-4	48B-12	162-02700	37 - 2	441364	47A-43
1270704-5	48C- 6	162-02800	34 - 8	441365	47 -46
1270704-6	48C- 7	162-04700	37B- 2	441365	47A-46
1411202-201	38 - 9	164-02601	37 -11	441412	47B-57
1411202-201	38A- 9	164-04000	37B-11	441412	47C-60
1414087-13	# 51 -17	1670019-1	70A- 7	441413	47B-56
1414087-13	# 51A-14	1700121-66	78 -14	441413	47C-59
1414087-15	51 -18	1713039-1	68 -24	442820	47 -47
1414087-15	51A-15	1713039-1	79 -12	442876-38	47 -47
1414116-3	44D-43	1713039-1	79A-15	442876-38	47A-47
1414116-3	45D-44	1752118-1	83B- 2	442907-1	47C-66
1441001-3	36 - 8	1752118-2	83B- 3	442907-1	47B-63

PART NUMBER	FIGURE AND INDEX NO.
444652	47 -44
444679	47 -44
444679	47A-44
444697	47B-62
444697	47C-65
4509	83B- 5
4763	57A- 3
4763	87 - 2
49165-22	67 -19
4969	12 -42
4969	13 -44
4970	12 -41
4970	13 -43
530642	57A- 1
532432	57A- 6
550	1 -13
5579654	78 -25
576.1	1 - 5
579.6	1 - 6
6F20-D	80 -32
60232-1	47 -50
60232-1	47A-50
624M	36B-29
6241B	32 -40
6241M	32 -40
6241M	36 -28
6241M	36 -42
6241M	36A-29
628122	57 - 1
633028	57 - 5
633401	57 -13
633914	57 -15
633915	57 -16
634464	57 - 7
634465	57 - 8
6436635	78 -23
6436637	78 -24
6436916	78 -26
6436989	78 -27
6661025-0102	47C-38
700	1 -11
8-171	85 -11
800-001-6	63 -17
8409	85A-10
8499	85 - 4
8526250	87 -20
9851070-1	76A-
9851071-2	76A- 8
9851072-2	76A- 4
9851073-1	76A- 6
9851074-1	76A- 1
9862010-3	47C-72
9862010-3	56 -46
9863053-7	47C-73
9863053-7	56 -37
9864050-8	70A-22

PART NUMBER	FIGURE AND INDEX NO.
-------------	----------------------

PART NUMBER	FIGURE AND INDEX NO.
-------------	----------------------